

Classic Phono
by **Lenco**

Model: TCD-2551



User manual - Wooden Turntable with Bluetooth, USB encoding, AM/FM radio, CD and Cassette Player

Gebruikshandleiding - houten platenspeler met Bluetooth, USB-codering, AM/FM-radio, cd- en cassettespeler

Benutzerhandbuch - Plattenspieler mit Bluetooth, USB-Aufnahme, UKW/MW-Radio, CD- und Kassettenspieler im Echtholzgehäuse

Manuel d'utilisation - tourne-disque en bois avec Bluetooth, encodage USB, radio AM/FM, lecteur CD et cassettes

Manual de usuario - Tocadiscos de madera con función Bluetooth, codificación por USB, radio AM/FM radio y reproductor de CDs y Casetes

Brugervejledning - Pladespiller i trækabinet med Bluetooth, USB-kodning, AM/FM-radio, CD- og kassetteafspiller

Bruksanvisning - skivspelare i trä med Bluetooth. USB-kodning, AM/FM-radio samt CD- och kassettspelare

Index:

ENGLISH.....	3
NEDERLANDS	17
DEUTSCH.....	33
FRANÇAIS.....	49
ESPAÑOL.....	66
DANSK/NORSK	82
SVENSKA.....	98

ENGLISH

CAUTION:

Usage of controls or adjustments or performance of procedures other than those specified herein may result in hazardous radiation exposure.

PRECAUTIONS BEFORE USE

KEEP THESE INSTRUCTIONS IN MIND:

1. Do not cover or block any ventilation openings. When placing the device on a shelf, leave 5 cm (2") free space around the whole device.
2. Install in accordance with the supplied user manual.
3. Keep the device away from heat sources such as radiators, heaters, stoves, candles and other heat-generating products or naked flame. The device can only be used in moderate climates. Extremely cold or warm environments should be avoided. Working temperature between 0° and 35°C.
4. Avoid using the device near strong magnetic fields.
5. Electrostatic discharge can disturb normal usage of this device. If so, simply reset and restart the device following the instruction manual. During file transmission, please handle with care and operate in a static-free environment.
6. Warning! Never insert an object into the product through the vents or openings. High voltage flows through the product and inserting an object can cause electric shock and/or short circuit internal parts. For the same reason, do not spill water or liquid on the product.
7. Do not use in wet or moist areas such as bathrooms, steamy kitchens or near swimming pools.
8. The device shall not be exposed to dripping or splashing and make sure that no objects filled with liquids, such as vases, are placed on or near the apparatus.
9. Do not use this device when condensation may occur. When the unit is used in a warm wet room with damp, water droplets or condensation may occur inside the unit and the unit may not function properly; let the unit stand in power OFF for 1 or 2 hours before turning on the power: the unit should be dry before getting any power.
10. Although this device is manufactured with the utmost care and checked several times before leaving the factory, it is still possible that problems may occur, as with all electrical appliances. If you notice smoke, an excessive build-up of heat or any other unexpected phenomena, you should disconnect the plug from the main power socket immediately.
11. This device must operate on a power source as specified on the specification label. If you are not sure of the type of power supply used in your home, consult your dealer or local power company.
12. Keep away from animals. Some animals enjoy biting on power cords.
13. To clean the device, use a soft dry cloth. Do not use solvents or petrol based fluids. To remove severe stains, you may use a damp cloth with dilute detergent.
14. The supplier is not responsible for damage or lost data caused by malfunction, misuse, modification of the device or battery replacement.
15. Do not interrupt the connection when the device is formatting or transferring files. Otherwise, data may be corrupted or lost.
16. If the unit has USB playback function, the USB memory stick should be plugged into the unit directly. Don't use an USB extension cable because it can cause interference resulting in failing of data.
17. The rating label has been marked on the bottom or back panel of the device.
18. This device is not intended for use by people (including children) with physical, sensory or mental disabilities, or a lack of experience and knowledge, unless they're under supervision or have received instructions about the correct use of the device by the person who is responsible for their safety.
19. This product is intended for non professional use only and not for commercial or industrial use.
20. Make sure the unit is adjusted to a stable position. Damage caused by using this product in an unstable position vibrations or shocks or by failure to follow any other warning or precaution contained within this user manual will not be covered by warranty.
21. Never remove the casing of this device.
22. Never place this device on other electrical equipment.
23. Do not allow children access to plastic bags.
24. Only use attachments/accessories specified by the manufacturer.

25. Refer all servicing to qualified service personnel. Servicing is required when the device has been damaged in any way, such as the power supply cord or the plug, when liquid has been spilled or objects have fallen into the device, when the device has been exposed to rain or moisture, does not operate normally, or has been dropped.
26. Long exposure to loud sounds from personal music players may lead to temporary or permanent hearing loss.
27. If the product is delivered with power cable or AC power adaptor:
 - If any trouble occur, disconnect the AC power cord and refer servicing to qualified personnel.
 - Don't step on or pinch the power adaptor. Be very careful, particularly near the plugs and the cable's exit point. Do not place heavy items on the power adaptor, which may damage it. Keep the entire device out of children's reach! When playing with the power cable, they can seriously injure themselves.
 - Unplug this device during lightning storms or when unused for a long period.
 - The socket outlet must be installed near the equipment and must be easily accessible.
 - Do not overload ac outlets or extension cords. Overloading can cause fire or electric shock.
 - Devices with class 1 construction should be connected to a main socket outlet with a protective earthed connection.
 - Devices with class 2 construction do not require a earthed connection.
 - Always hold the plug when pulling it out of the main supply socket. Do not pull the power cord. This can cause a short circuit.
 - Do not use a damaged power cord or plug or a loose outlet. Doing so may result in fire or electric shock.
28. If the product contains or is delivered with a remote control containing coin/cell batteries:

Warning:

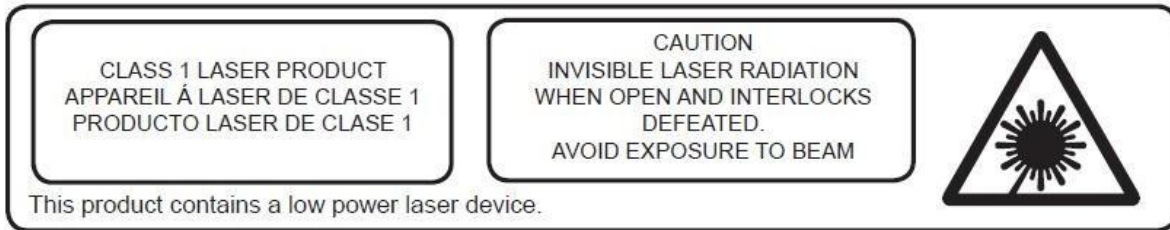
 - "Do not ingest battery, Chemical Burn Hazard" or equivalent working.
 - [The remote control supplied with] This product contains a coin/button cell battery. If the battery is swallowed, it can cause severe internal burns in just 2 hours and can lead to death.
 - Keep new and used batteries away from children.
 - If the battery compartment does not close securely, stop using the product and keep it away from children.
 - If you think batteries might have been swallowed or placed inside any part of the body, seek immediate medical attention.
29. Caution about the use of Batteries:
 - Danger of explosion if battery is incorrectly replaced. Replace only with the same or equivalent type.
 - Battery cannot be subjected to high or low extreme temperatures, low air pressure at high altitude during use, storage or transportation.
 - Replacement of a battery with an incorrect type that can result in an explosion or the leakage of flammable liquid or gas.
 - Disposal of a battery into fire or a hot oven, or mechanically crushing or cutting of a battery, that can result in an explosion.
 - Leaving a battery in an extremely high temperature surrounding environment that can result in an explosion or that leakage of flammable liquid or gas.
 - A battery subjected to extremely low air pressure that may result in an explosion or the leakage of flammable liquid or gas.
 - Attention should be drawn to the environmental aspects of battery disposal.

INSTALLATION

- Unpack all parts and remove protective material.
- Do not connect the unit to the mains before checking the mains voltage and before all other connections have been made.

WARNING

Class 1 Laser Product



Warning: Do not touch the lens.

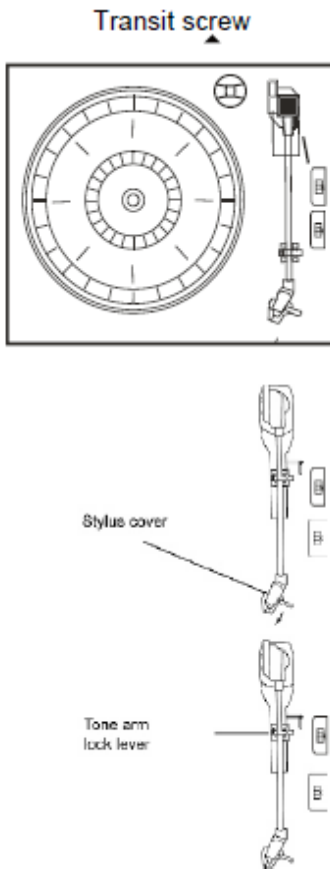
CLEANING THE CABINET

If the wooden cabinet becomes dusty please wipe it with a soft, non-abrasive dust cloth. Also don't use water or spray cleaners as this can damage the cabinet and the plastic/metal parts of the unit.

TECHNICAL SPECIFICATION

- Turntable speed: 33/45/78 RPM (Disc size 17.5/25/30cm)
- CD can play CD/CD-R/CD-RW/MP3
- USB can play MP3
- Cassette: C60 & C90 (C120 cassette is not recommended)

PREPARATION FOR USE



- Carefully remove the unit from the carton and remove all packing material from the unit.
- Unwind the AC power cord and extend it to its full length.
- Unwind the FM Antenna wire and extend it to its full length.

Raise the lid to expose the turntable.

- Remove the opaque white plastic stylus cover from the phonograph stylus by sliding it in the direction of the arrow.
- Please pay attention to the stylus during operation because stylus damage is not covered by the warranty.
- Remove the twist-tie that was used to secure the tone arm during shipment.
- Release the tone arm lock lever.
- Connect the power plug to your AC 220V, 50HZ outlet.

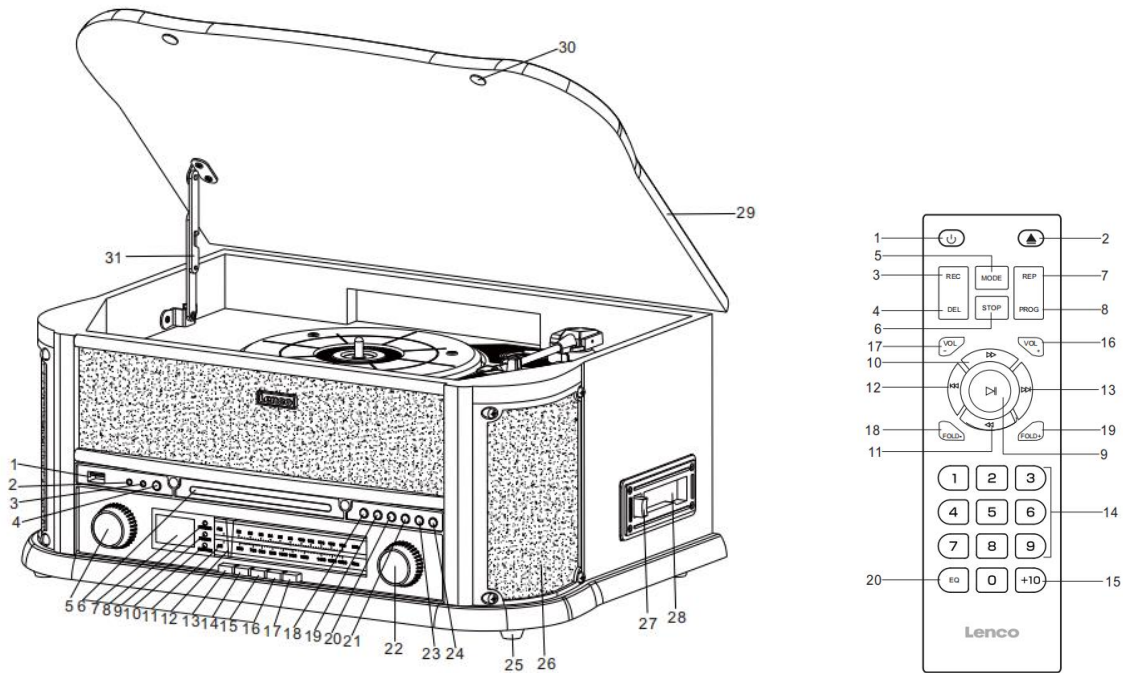
IMPORTANT: RAISING AND LOWERING THE TURNTABLE LID

To open the lid. Raise it as far as it can, then pull the support bracket gently to the front of the device and slowly lower the lid.

To close the lid. Pull up the lid to unlock the support bracket and gently lower the lid.

TO AVOID DAMAGING THE CABINET OR THE LID, NEVER FORCE THE LID CLOSED. ALWAYS RAISE THE LID TO RELEASE THE LID SUPPORT BRACKET.

LOCATIONS OF CONTROLS AND INDICATORS



Locations of Controls:

1. USB SOCKET	17. EQ BUTTON
2. 3.5MM AUX-IN JACK	18. PLAY/PAUSE BUTTON
3. 3.5MM HEADPHONE JACK	19. STOP BUTTON
4. RECORD/DELETE BUTTON	20. DN/F-R BUTTON
5. VOLUME KNOB/ POWER STANBY	21. UP/F-F BUTTON
6. CD DOOR	22. TUNING CONTROL
7. LCD DISPLAY	23. ERP/PROG
8. REMOTE CONTROL SENSOR	24. CD DOOR OPEN / CLOSE BUTTON
9. POWER INDICATOR	25. PLASTIC FOOT PAD
10. FM ST./REC INDICATOR	26. SPEAKERS
11. AM/FM DIAL SCALE	27. CASSETTE EJ/F.F BUTTON
12. TUNING POINTER	28. CASSETTE PLAYER SLOT
13. TUNER(AM/FM) BUTTON	29. DUST COVER
14. CD/USB/BT BUTTON	30. DUST COVER PAD
15. TAPE/AUX IN BUTTON	31. HINGE
16. PHONO BUTTON	

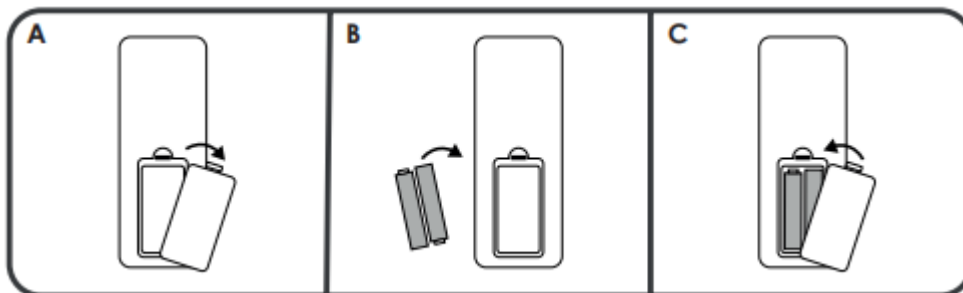
REMOTE CONTROL

1. POWER ON/OFF
2. OPEN/CLOSE CD DOOR
3. REC: in CD/AM/FM/AUX IN/BT/PHONO/CASSETTE mode, press to active recording function.
4. DELETE BUTTON
5. MODE BUTTON to select source CD/USB/BT/AM/FM/TAPE/PHONO/AUX IN.
6. STOP BUTTON
7. REPEAT BUTTON to select repeat playback(CD/USB).
8. PROGRAM: in CD/USB mode, press to active programming function.
9. PLAY/PAUSE: in CD/USB mode, press once to start playback, press again to enter pause mode.
10. FAST FORWARD BUTTON
11. REWIND BUTTON
12. SKIP- BUTTON
13. SKIP+ BUTTON
14. NUMBER BLOCK 0-9
15. 10+ Track Button to select 2-digit numbers.
16. VOLUME + BUTTON
17. VOLUME - BUTTON
18. FOLDER-
19. FOLDER+
20. EQ BUTTON: to choose from different sound effect among FLAT/ POP/ CLASSIC/ ROCK/ JAZZ.

Batteries for Remote Control

The infrared remote control requires 2xAAA batteries (excluded)

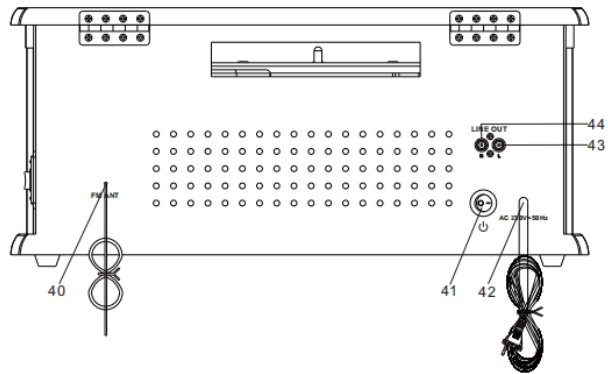
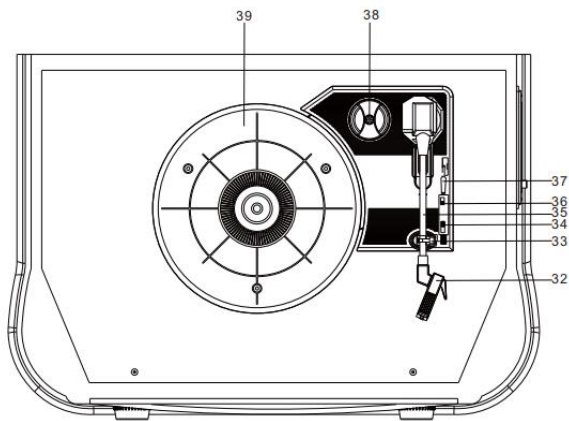
- A) Remove the battery compartment cover
- B) Insert 2xAAA batteries according to the markings inside the compartment.
- C) Close the compartment.



Note 1: All buttons on the remote control have the same function as the buttons on the unit. The remote control is just used for CD/MP3 and USB mode.

Note 2: Long pressing PLAY/PAUSE on remote control for 2 seconds will change between CD and USB.

Note 3: Long pressing DELETE on remote control for 2 times will delete file in USB mode.



- 32. CARTRIDGE
- 33. PICK-UP HOLDER
- 34. 33/45/78 RPM SPEED SELECTOR
- 35. TONE ARM
- 36. Auto-stop ON/OFF
- 37. TONEARM LIFT
- 38. ADAPTOR
- 39. TURNTABLE
- 40. FM / DAB ANTENNA
- 41. ON/OFF SWITCH
- 42. AC POWER CORD
- 43/44. LINE OUT SOCKETS(R+L)

INFORMATION

The AM antenna is inside the cabinet. IF AM reception is unsatisfactory try re-positioning the cabinet slightly until the internal antenna is picking up the strongest signal.

The FM wire is located back of the cabinet. If necessary adjust the position and direction of this antenna until you find the position that provides the best reception.

POWER ON/OFF

- Flip the ON/OFF SWITCH to the ON position. Press POWER to turn on the system, the display will light up.
- Press the function selector buttons (AM/FM/CD/USB/TAPE/PHONO/AUX IN) to select the desired function.
- Start to adjust the volume by using the volume control button.
- When finished listening press POWER again to turn off the system. The display turns off.

Remark: The unit is comply with ERP2, the unit will turn to Standby mode if there is no operation on the unit after 15 mins, please press POWER button once if you want to re-start the unit.

RADIO OPERATION

- Press POWER to turn the system on.
- Press TUNER to go to radio mode, press the TUNER button again to switch between AM and FM.
- Rotate the TUNING control to tune the desired radio station, the FM ST/REC indicator will light when stereo FM is found.

CD OPERATION

- Press the POWER button to turn on the system.
- Press the CD/USB/BT button to enter CD mode, 'Cd' and the 'DISC' icon will be shown on the screen. The unit can play CD, CD-R and CD-RW.



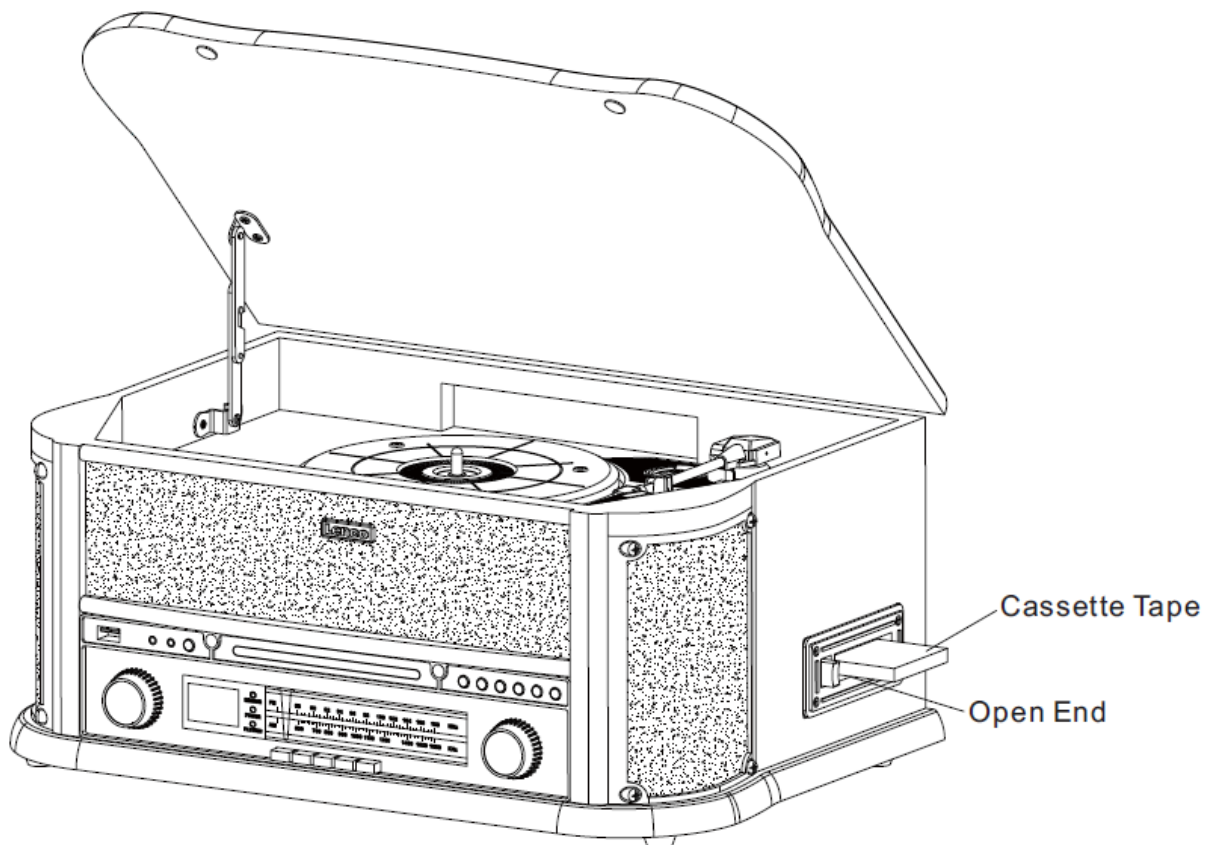
- Press the OP/CL button top open the CD drawer.
- Place your disc in the CD drawer with the label side facing up.
- Press the OP/CL button again to close the CD drawer. Playback will automatically start from the first track.
- MP3 icon will be shown if MP3 file is detected in the disc.



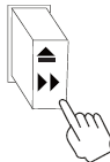
PLAYING CASSETTE

Note: Before inserting the tape in the player be sure that there is no excess slack in the cassette that could jam the mechanism.

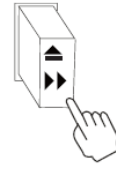
- Press POWER to turn the system on.
- Press TAPE/AUX button to enter TAPE mode.
- Insert your cassette into the slot located on the right side of the cabinet, as shown in the illustration, with the side you wish to play facing up and the open end on the right side.



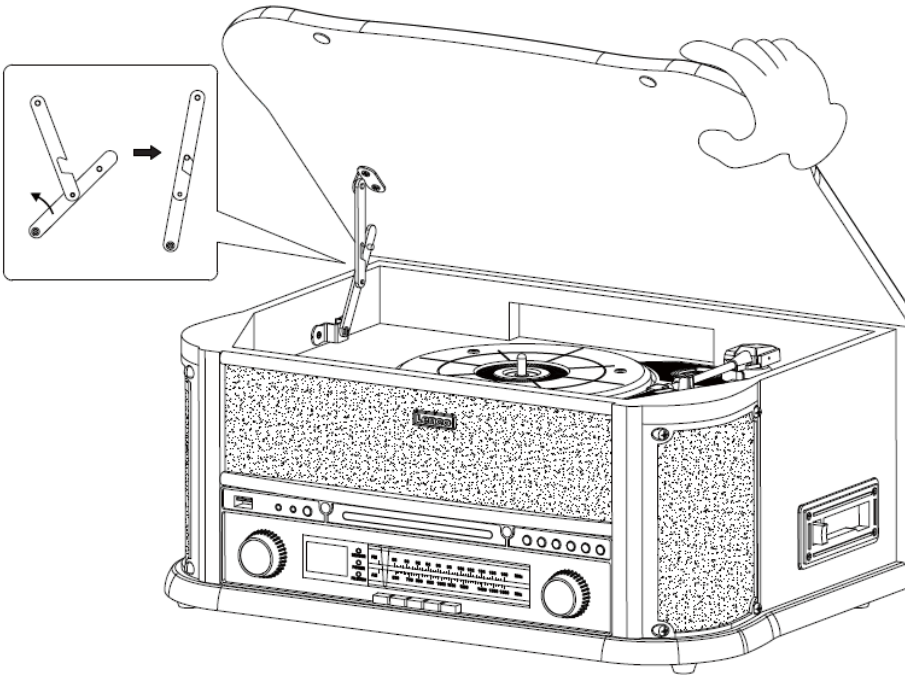
- Cassette playback begins as soon as the tape is inserted. Adjust the VOLUME control to the desired level.



- To advance the tape rapidly, press the  button approximately half way. The tape will move forward rapidly as long as the button is pressed half way. Normal playback will resume when the button is released.



- When the tape ends, the player stops automatically. Press the button completely to remove the tape from the player. You may press the button to stop playing the tape at any time.
- Press POWER again to turn the system off.



How to Open/Close the Turntable Cover

To Open:

- Lift the Turntable cover all the way up until it stops.
- Pull the support bracket gently to the front of the device, then lower the lid.
- The cover will now stay open.

To Close:

- Lift the cover all the way up until it stops.
- The latch should disengage. Slowly lower the cover. If the latch does not disengage, push out the lower bar by hand.
- Make sure you hold the cover carefully to avoid pinching your fingers as it closes.

PLAYING VINYL RECORDS

The system includes a full-size, 3 speed, belt-drive turntable. You can play 33, 45 and 78rpm records.

- Press **POWER** to turn the system on.
- Press the **PHONO** button to enter the **PHONO** mode.
- Make sure you have removed the stylus cover from the stylus and have released the tone arm lock that secured the tone arm to the tone arm rest.
- Set the turntable speed selector to appropriate speed 33, 45 or 78rpm. If you are playing 45 rpm singles, place the 45rpm adapter on the centre spindle.
- Place your record on the remove centre spindle.
- Raise the TONEARM LIFT to lift the tone arm of its rest. Move the tone arm to the edge of the record. The turntable starts automatically. Use the TONEARM LIFT to gently lower the tone arm onto the record.
- Adjust the **volume** control to the desired level.
- When the tone arm reaches the end of the record it automatically stops the record.
- Press **POWER** again to turn the system off.

Installing the Stylus

1. Hold the tip of the stylus and insert the stylus by pressing as shown in direction "B".
2. Push the stylus upward as in direction "C" until the stylus locks into the tip position.



NOTES

We advise you to clean your records with an anti-static cloth to gain maximum enjoyment from them.

We would also point out that for the same reason your stylus should be replaced periodically (approximately every 250 playback hours)

BLUETOOTH PLAY

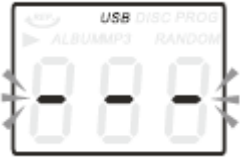
Press the CD/USB/BT multiple times until the display shows 'BT'.

Search for 'Lenco TCD-2551' on your transmitting device and select it to pair. When the connection is successful a beep will play and the display stops blinking.

AUX IN OPERATION

Connect the audio system into the AUX IN jack on the front panel, Press the TAPE/AUX button twice. Start playing from the connected device.

USB OPERATION



- Press the CD/USB/BT button twice to enter USB mode. The '---' and USB icon will be shown.
- Insert a USB flash device into the USB socket.
- PLAY/PAUSE, DN/UP and stop functions are the same as CD functions.

PLAYING IN MP3 MODE (CD/USB)

- Press PLAY/PAUSE button to start or pause playback selected track.
- While playing the song, the song number and folder number of the selected track will be shown in the display.
- You can stop the playback at any time by pressing the STOP button.

TRACK SKIP AND HIGH SPEED TRACK SEARCH IN CD/USB MODE

During CD/USB playback press UP/F.F (⏮) or DN/F.R (⏭) button on the unit front panel or on the remote control repeatedly to change track. To rapidly search forward or backwards within a track press and hold UP/F.F (⏮) or DN/F.R (⏭) button. To skip 10 tracks press TRACK+10 on the remote control.

USB RECORDING

- **CD recording**

Insert USB flash drive into the USB socket. Then press CD/USB/BT button. Place CD into the CD drawer and play the track which will be recorded. Press RECORD button twice to start recording. If all CD is played, Then all tracks will be recorded.

NOTE: Recording will stop when the STOP button is pressed.

- **MP3 DISC recording**

Insert USB flash drive into the USB socket. Then press CD/USB/BT button. Place CD with MP3 files into the CD drawer and play the MP3 track which will be recorded. Press RECORD button twice to start recording. If all MP3 files is played, Then all tracks will be recorded.

NOTE: Recording will stop when the STOP button is pressed.

- **Cassette recording**

Insert USB flash drive into the USB socket. Then press TAPE/AUX button. Place the cassette into the socket. Play cassette. Press RECORD button to start recording. Recording will stop when the STOP button is pressed.

- Vinyl recording

Insert USB flash drive into the USB socket. Then press PHONO button. Play the vinyl and press RECORD button to start recording. Recording will stop when the STOP button is pressed.

- AUX IN recording

Insert USB flash drive into the USB socket. Connect the external audio device into the AUX jack on the rear panel. Then press TAPE/AUX button and play audio and press RECORD button to start recording.

- AM/FM radio recording

Insert USB flash drive into the USB socket. Then press the TUNER button to switch to AM/FM mode. Press the RECORD button to start recording. Press STOP to stop the recording.

DELETE TRACKS FROM USB DISC

Press CD/USB/BT button on the front panel. Select the track and press delete for 2 seconds and the track is deleted.

Guarantee

Commaxx B.V. offers service and warranty in accordance to European law, which means that in case of repairs (both during and after the warranty period) you should contact your local dealer.

Important note: It is not possible to send products that need repairs to Commaxx B.V. directly.

Important note: If this unit is opened or accessed by a non-official service center in any way, the warranty expires.

This device is not suitable for professional use. In case of professional use, all warranty obligations of the manufacturer will be voided.

Disclaimer

Updates to Firmware and/or hardware components are made regularly. Therefore some of the instruction, specifications and pictures in this documentation may differ slightly from your particular situation. All items described in this guide for illustration purposes only and may not apply to particular situation. No legal right or entitlements may be obtained from the description made in this manual.

Disposal of the Old Device



This symbol indicates that the relevant electrical product or battery should not be disposed of as general household waste in Europe. To ensure the correct waste treatment of the product and battery, please dispose them in accordance to any applicable local laws of requirement for disposal of electrical equipment or batteries. In so doing, you will help to conserve natural resources and improve standards of environmental protection in treatment and disposal of electrical waste (Waste Electrical and Electronic Equipment Directive).

DECLARATION OF CONFORMITY

Hereby, Commaxx declares that the radio equipment type [Lenco TCD-2551] is in compliance with directive 2014/53/EU. The full text of the EU declaration of conformity is available at the following internet address: https://commaxx-certificates.com/doc/tcd-2551_doc.pdf

Type RF	Frequency range (MHz)	Power (dBm)
Bluetooth	2402-2480	<6
DAB	174-240	-
FM	87.5-108	-

Service

For more information and helpdesk support, please visit

www.lenco.com

Commaxx B.V. Wiebachstraat 37, 6466 NG Kerkrade, The Netherlands.

NEDERLANDS

VOORZICHTIG:

Het gebruik van bedieningen of afstellingen of het uitvoeren van procedures anders dan hierin gespecificeerd, kan leiden tot blootstelling aan gevaarlijke straling.

VOORZORGSMAATREGELEN VÓÓR GEBRUIK

ONTHOUD DEZE INSTRUCTIES:

1. Bedek of blokkeer geen van de ventilatieopeningen. Als u het apparaat op een rek plaatst, laat 5 cm (2") vrije ruimte rondom het volledige apparaat.
2. Installeer in overeenstemming met de meegeleverde gebruikshandleiding.
3. Houd het apparaat uit de buurt van warmtebronnen zoals radiatoren, kachels, fornuizen, kaarsen en andere warmtegenererende producten of open vuur. Het apparaat kan alleen worden gebruikt in gematigde klimaten. Extreem koude of warme omgevingen dienen te worden vermeden. Bedrijfstemperatuur tussen 0° en 35°C.
4. Gebruik het apparaat niet in de buurt van krachtige magnetische velden.
5. Elektrostatische ontlading kan de normale werking van dit apparaat verstoren. Indien dit het geval is, reset dan gewoon het apparaat en start het opnieuw op in navolging van de handleiding. Wees voorzichtig tijdens de bestandsoverdracht en voer dit uit in een omgeving zonder statische interferentie.
6. Waarschuwing! Steek geen voorwerpen in het product via de ventilatie- of andere openingen. Er is hoge spanning aanwezig in het product en als u er een voorwerp insteekt, kan dat tot elektrische schokken en/of kortsluiting van de interne onderdelen leiden. Laat om dezelfde reden geen water of vloeistof op het product terechtkomen.
7. Gebruik het apparaat niet in natte of vochtige ruimtes zoals badkamers, keukens met veel stoom of in de buurt van zwembaden.
8. Stel het apparaat niet bloot druppels of spetters en zorg ervoor dat er geen met vloeistof gevulde voorwerpen, zoals vazen, op of in de buurt van het apparaat worden geplaatst.
9. Gebruik dit apparaat niet als er condensatie kan optreden. Wanneer het apparaat in een warme en vochtige kamer wordt gebruikt, dan kunnen er waterdruppeltjes of condensatie binnenin het apparaat worden gevormd waardoor het apparaat mogelijk niet meer goed werkt; houd en apparaat 1 of 2 uur op UIT staan voordat u de voeding weer inschakelt: het apparaat dient droog te zijn voordat deze stroom ontvangt.
10. Al is dit apparaat met de grootste zorg vervaardigd en meerdere keren gecontroleerd voordat deze de fabriek verlaat, is het toch mogelijk dat er problemen optreden, zoals bij alle elektrische apparaten. Als u rook, overmatige warmteontwikkeling of andere onverwachte verschijnselen constateert, dient u onmiddellijk de stekker uit het stopcontact te trekken.
11. Dit apparaat moet van stroom worden voorzien door een bron zoals gespecificeerd op het nominale specificatielabel. Als u niet zeker weet welk type stroomvoorziening in uw huis wordt gebruikt, neem dan contact op met uw dealer of het plaatselijke energiebedrijf.
12. Houd uit de buurt van dieren. Sommige dieren houden ervan om aan stroomkabels te bijten.
13. Gebruik een zachte, droge doek om het apparaat schoon te maken. Gebruik geen oplosmiddelen of vloeistoffen op benzinebasis.
U kunt een vochtige doek met verdund schoonmaakmiddel gebruiken om hardnekkige vlekken te verwijderen.
14. De leverancier is niet verantwoordelijk voor schade of verlies van gegevens veroorzaakt door storing, misbruik, modificatie van het apparaat of vervanging van de batterij.
15. Zorg ervoor de verbinding niet te verbreken terwijl het apparaat bezig is met formatteren of bestandsoverdracht. Gegevens kunnen anders corrupt of verloren raken.
16. Als het apparaat een USB-afspeelfunctie heeft, moet de USB-geheugenstick rechtstreeks in het apparaat worden gestoken. Gebruik geen USB-verlengsnoer, omdat deze interferentie kan veroorzaken waardoor uw gegevens verloren kunnen gaan.
17. Het nominale specificatielabel is te vinden op het onder- of achterpaneel van het apparaat.
18. Dit product is niet bestemd voor gebruik door personen (waaronder kinderen) met verminderde fysieke, zintuiglijke of mentale capaciteiten, of met een tekort aan kennis en ervaring, tenzij een

persoon verantwoordelijk voor hun veiligheid toezicht houdt of instructies heeft gegeven voor het correcte gebruik van het apparaat.

19. Dit product is uitsluitend bedoeld voor niet-professioneel gebruik en niet voor commercieel of industrieel gebruik.
20. Zorg ervoor dit apparaat op een stabiele plek te plaatsen. Beschadigingen veroorzaakt door het gebruik van dit apparaat in een onstabiele positie, trillingen of schokken of door het niet opvolgen van andere waarschuwingen of voorzorgsmaatregelen beschreven in deze gebruikshandleiding, worden niet gedekt door de garantie.
21. Verwijder nooit de behuizing van dit apparaat.
22. Plaats dit apparaat nooit op andere elektrische apparatuur.
23. Houd plastic zakken uit de buurt van kinderen.
24. Gebruik alleen uitbreidingen/accessoires gespecificeerd door de fabrikant.
25. Laat alle reparaties over aan bevoegd onderhoudspersoneel. Reparatie is vereist wanneer het apparaat op enigerlei wijze is beschadigd, zoals een beschadigde voedingskabel of stekker, wanneer vloeistof is gemorst of voorwerpen in het apparaat zijn gevallen, wanneer het apparaat is blootgesteld aan regen of vocht, niet normaal functioneert of is gevallen.
26. Langdurige blootstelling aan harde geluiden van persoonlijke muziekspelers kan leiden tot tijdelijk of permanent gehoorverlies.
27. Als het product wordt geleverd met een voedingskabel of AC-stroomadapter:
 - Als er problemen optreden, koppel de AC-voedingskabel dan los en laat reparaties over aan bevoegd personeel.
 - Niet op de stroomadapter gaan staan of deze indrukken. Wees zeer voorzichtig, vooral in de buurt van de stekkers en waar de kabel uit het apparaat komt. Plaats geen zware voorwerpen op de stroomadapter, om beschadiging ervan te voorkomen. Houd het gehele apparaat buiten bereik van kinderen! Wanneer kinderen met de voedingskabel spelen, kunnen zij ernstig letsel oplopen.
 - Koppel dit apparaat los tijdens onweer of wanneer deze voor een lange periode niet wordt gebruikt.
 - Het stopcontact moet in de buurt van de apparatuur zijn geïnstalleerd en eenvoudig te bereiken zijn.
 - Zorg ervoor stopcontacten of verlengsnoeren niet te overbelasten. Overbelasting kan tot brand of elektrische schokken leiden.
 - Apparaten met een klasse 1 constructie moeten worden aangesloten op een stopcontact met een beschermende aardeverbinding.
 - Apparaten met een klasse 2 constructie vereisen geen aardeverbinding.
 - Houd altijd de stekker vast wanneer u deze uit het stopcontact trekt. Trek niet aan de voedingskabel. Dit kan anders een kortsluiting veroorzaken.
 - Gebruik geen beschadigde voedingskabel of stekker of een los stopcontact. Dit kan anders leiden tot brand of elektrische schokken.
28. Als het product een afstandsbediening met knoop-/celbatterijen bevat of daarmee wordt geleverd:
Waarschuwing:
 - "Batterij niet inslikken, gevaar op chemische brandwonden" of soortgelijke werking.
 - [De afstandsbediening meegeleverd met] Dit product bevat een knoop-/celbatterij. Als de batterij wordt ingeslikt, kan deze in slechts 2 uur ernstige en zelfs fatale interne brandwonden veroorzaken.
 - Houd zowel nieuwe als verbruikte batterijen uit de buurt van kinderen.
 - Als het batterijvak niet goed sluit, gebruik het product dan niet langer en houd het uit de buurt van kinderen.
 - Als u denkt dat batterijen zijn ingeslikt of in een lichaamsdeel zijn geplaatst, dient u onmiddellijk medische hulp in te roepen.
29. Waarschuwing m.b.t. het gebruik van batterijen:
 - Risico op ontploffing als de batterij incorrect is geïnstalleerd. Vervang alleen door hetzelfde of een gelijkwaardig type.
 - Stel de batterij niet bloot aan extreem hoge of lage temperaturen of een lage luchtdruk op grote hoogte tijdens gebruik, opslag of transport.

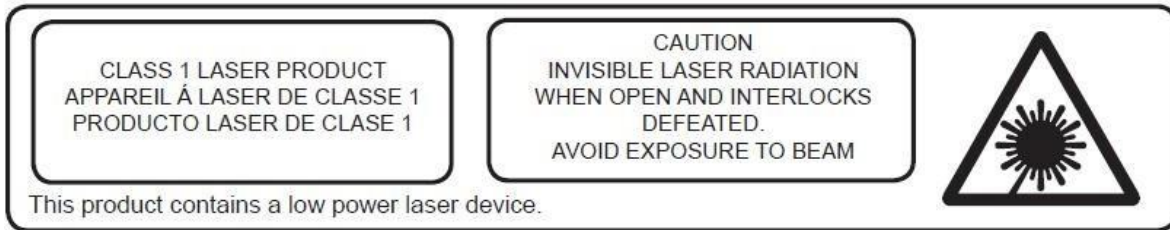
- Vervanging van een batterij door een incorrect type kan leiden tot een ontploffing of de lekkage van ontvlambare vloeistoffen of gas.
- Verwijdering van een batterij in vuur of een hete oven of het mechanisch verpletteren of snijden van een batterij kan leiden tot een ontploffing.
- Laat een batterij nooit achter in omgevingen met extreem hoge temperaturen, anders kan dit leiden tot een ontploffing of de lekkage van ontvlambare vloeistoffen of gas.
- Stel een batterij nooit bloot aan een extreem lage luchtdruk, anders kan dit leiden tot een ontploffing of de lekkage van ontvlambare vloeistoffen of gas.
- Houd rekening met de impact op het milieu bij het afdanken van batterijen.

INSTALLATIE

- Pak alle onderdelen uit en verwijder het beschermende materiaal.
- Sluit het apparaat niet aan op het lichtnet voordat de correcte netspanning is geverifieerd en alle andere aansluitingen tot stand zijn gebracht.

WAARSCHUWING

Klasse 1 Laserproduct



EN	NL
CLASS 1 LASER PRODUCT	KLASSE 1 LASERPRODUCT
CAUTION	VOORZICHTIG
INVISIBLE LASER RADIATION WHEN OPEN AND INTERLOCKS DEFEATED.	ONZICHTBARE LASERSTRALING INDIEN OPEN EN VERGRENDELINGEN UITGESCHAKELD.
AVOID EXPOSURE TO BEAM	VERMIJD BLOOTSTELLING AAN DE STRAAL
This product contains a low power laser device.	Dit product bevat een laserapparaat met laag vermogen.

Waarschuwing: raak de lens niet aan.

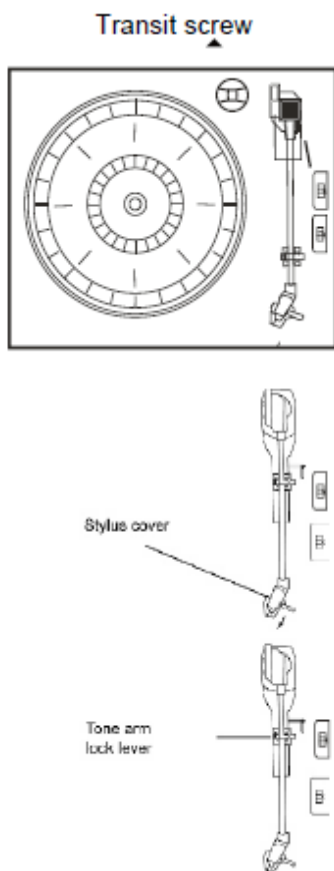
DE BEHUIZING REINIGEN

Als de houten behuizing stoffig is geworden, veegt u deze af met een zachte, niet-schurende stofdoek. Gebruik bovendien geen water of spuitmiddelen, anders kunnen de behuizing en plastic/metalen onderdelen van het apparaat beschadigd raken.

TECHNISCHE SPECIFICATIES

- Snelheid platenspeler: 33/45/78 toeren (plaatformaat 17,5/25/30cm)
- De cd-speler kan CD/CD-R/CD-RW/MP3 afspelen
- De USB-poort kan MP3 afspelen
- Cassette: C60 & C90 (C120-cassettes niet aanbevolen)

VOORBEREIDING VOOR GEBRUIK



- Haal het apparaat voorzichtig uit de doos en verwijder alle verpakkingsmaterialen van het apparaat.
- Wikkel de AC-voedingskabel tot zijn volledige lengte uit.
- Wikkel de FM-antennedraad tot zijn volledige lengte uit.

Til het deksel op om de platenspeler te openen.

- Verwijder de ondoorzichtige witte plastic naaldafdekking van de naald door deze in de richting van het pijltje te schuiven.
- Let tijdens het gebruik goed op de naald, want schade aan de naald valt niet onder de garantie.
- Verwijder de binder die was gebruikt om de toonarm vast te zetten tijdens de verzending.
- Ontgrendel de toonarmklem.
- Steek de stekker in uw AC 220V, 50HZ stopcontact.

EN	NL
Transit screw	Transportschroef
Style cover	Naaldafdekking
Tone arm lock lever	Toonarmklem

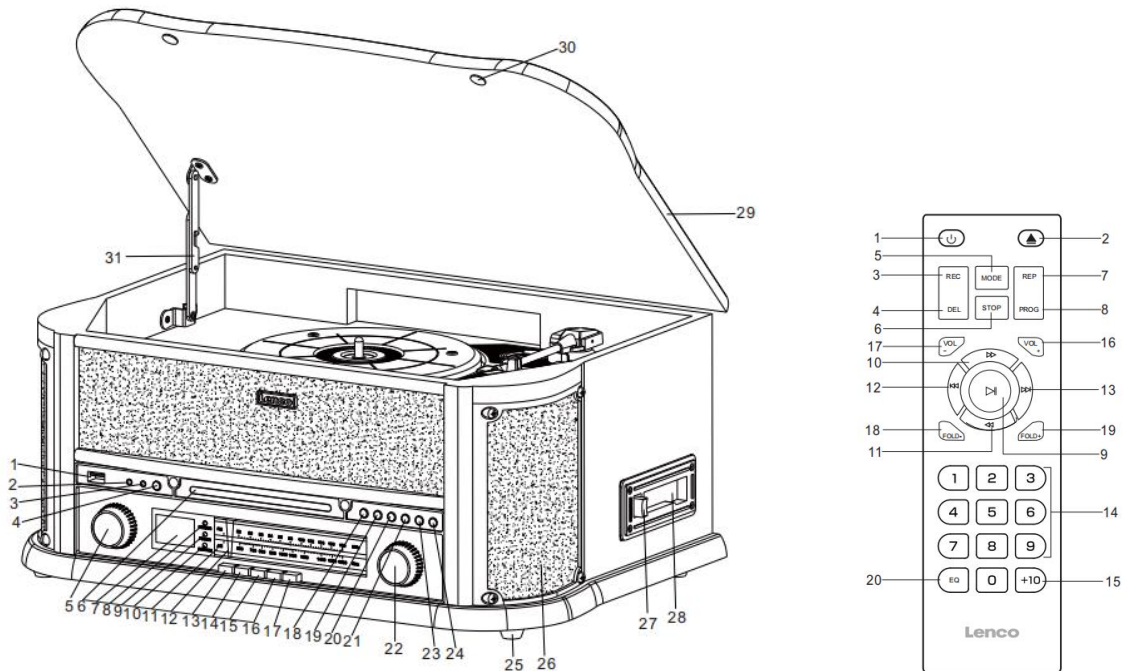
BELANGRIJK: HET DEKSEL VAN DE PLATENSPELER OPTILLEN EN LATEN ZAKKEN

Het deksel openen. Til het zo ver mogelijk op, trek de steunbeugel vervolgens voorzichtig naar de voorzijde van het apparaat en laat het deksel langzaam zakken.

Het deksel sluiten. Til het deksel omhoog om de steunbeugel te ontgrendelen en laat het deksel langzaam zakken.

FORCEER HET DEKSEL NIET BIJ HET SLUITEN OM SCHADE AAN DE BEHUIZING OF HET DEKSEL TE VOORKOMEN. TIL ALTIJD HET DEKSEL OMHOOG OM DE STEUNBEUGEL ERVAN TE ONTGRENDELEN.

LOCATIE VAN BEDIENINGEN EN INDICATOREN



Locatie van bedieningen:

1. USB-POORT	17. EQ-TOETS
2. 3,5MM AUX-INGANG	18. AFspeLEN/PAUZEREN-TOETS
3. 3,5MM HOOFDTELEFOONUITGANG	19. STOPTOETS
4. OPNAME-/WISTOETS	20. OMLAAG-/TERUGSPOELTOETS
5. VOLUMETOETS/AAN/UIT/STAND-BY	21. OMHOOG-/VOORUITSPOELTOETS
6. CD-KLEPJE	22. AFSTEMMEN-REGELAAR
7. LCD-SCHERM	23. ERP/PROG
8. AFSTANDBEDIENINGSSENSOR	24. KNOP CD-KLEP OPENEN/SLUITEN
9. AAN-/UITINDICATOR	25. PLASTIC POOTJE
10. FM ST./REC-INDICATOR	26. LUIDSPREKERS
11. AM/FM-FREQUENTIESCHAAL	27. CASSETTE UITWERP-/VOORUITSPOELKNOP
12. AFSTEMWIJZER	28. CASSETTEHOUDER
13. AFSTEMKNOP (AM/FM)	29. STOFKAP
14. CD/USB/BT-KNOP	30. STOFKAPKUSSENTJE
15. TAPE-/AUX-INGANGSKNOP	31. SCHARNIER
16. PHONO-KNOP	

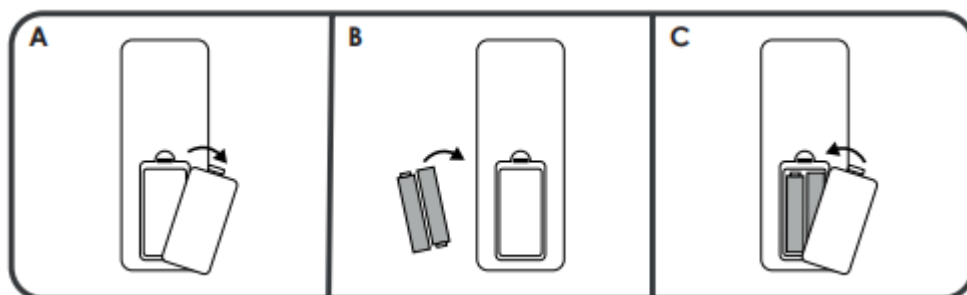
AFSTANDBEDIENING

1. AAN/UIT
2. CD-KLEP OPENEN/SLUITEN
3. REC: in de modus CD/AM/FM/AUX IN/BT/PHONO/CASSETTE indrukken om de opnamefunctie te activeren.
4. WISTOETS
5. MODUSTOETS voor het selecteren van de bron CD/USB/BT/AM/FM/TAPE/PHONO/AUX IN.
6. STOPTOETS
7. HERHAALTOETS voor het selecteren van een herhalende afspeelmodus (CD/USB).
8. PROGRAMMEREN: in CD-/USB-modus indrukken om de programmeerfunctie te activeren.
9. START/PAUZE: in CD-/USB-modus eenmaal indrukken om het afspelen te starten en nogmaals indrukken om de pauzmodus te activeren.
10. VOORUITSPOELTOETS
11. TERUGSPOELTOETS
12. TOETS VORIGE-
13. TOETS VOLGENDE+
14. CIJFERTOETSEN 0-9
15. Tracktoets 10+ om 2-cijferige nummers te selecteren.
16. VOLUMETOETS +
17. VOLUMETOETS -
18. MAP-
19. MAP+
20. EQ-TOETS: uit een van de verschillende geluidseffecten VLAK/ POP/KLASSIEK/ ROCK/ JAZZ kiezen.

Batterijen voor de afstandsbediening

De infraroodafstandsbediening werkt op 2 x AAA-batterijen (niet meegeleverd)

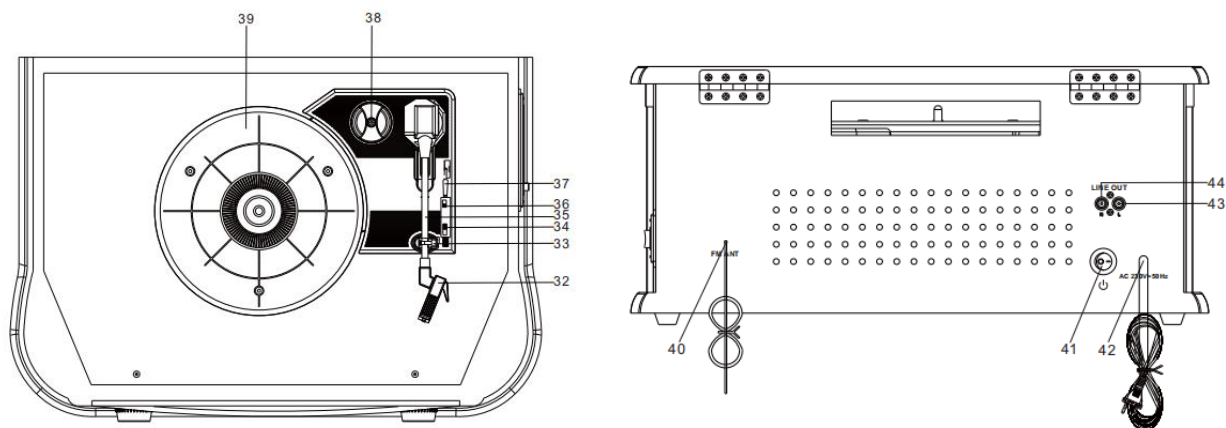
- A) Verwijder de klep van het batterijvak.
- B) Installeer 2 x AAA-batterijen volgens de polariteitsmarkeringen binnenin het batterijvak.
- C) Sluit het batterijvak.



Opmerking 1: Alle toetsen op de afstandsbediening hebben dezelfde functie als de toetsen op het apparaat. De afstandsbediening wordt alleen gebruikt voor de modi CD/MP3 en USB.

Opmerking 2: Houd START/PAUZE op de afstandsbediening 2 seconden ingedrukt om te wisselen tussen CD en USB.

Opmerking 3: Druk 2 keer lang op de WISTOETS op de afstandsbediening om bestanden te wissen in de USB-modus.



- 32. PATROON
- 33. TOONARMSTEUN
- 34. 33/45/78-TOERENSCHAKELAAR
- 35. TOONARM
- 36. Automatische stop AAN/UIT
- 37. TOONARMLIFT
- 38. ADAPTER
- 39. DRAAIPLATEAU
- 40. FM-/DAB-ANTENNE
- 41. AAN-/UITSCHAKELAAR
- 42. AC-VOEDINGSKABEL
- 43/44. LIJNUITGANGEN (R+L)

INFORMATIE

De AM-antenne zit binnenin de behuizing. Als u ontevreden bent over de AM-ontvangst, kunt u proberen de behuizing een beetje te verplaatsen totdat de interne antenne het sterkste signaal oppikt.

De FM-draad zit achterop de behuizing. Pas indien nodig de positie en richting van deze antenne aan totdat u de positie vindt die de beste ontvangst biedt.

AAN/UIT

- Stel de AAN-/UITSCHAKELAAR in op de AAN-stand. Druk op AAN/UIT om het systeem in te schakelen en de display zal oplichten.

- Druk op de functieselectieknoppen (AM/FM/CD/USB/TAPE/PHONO/AUX IN) om de gewenste functie te selecteren.
- Begin het volume aan te passen door de volumeregeling te gebruiken.
- Druk na het luisteren nogmaals op AAN/UIT om het systeem uit te schakelen. De display schakelt uit.

Opmerking: Dit apparaat voldoet aan ERP2 en zal na 15 seconden zonder gebruik op stand-by schakelen. Druk in dit geval eenmaal op de AAN/UIT-knop als u het apparaat opnieuw wilt inschakelen.

RADIOBEDIENING

- Druk op AAN/UIT om het systeem in te schakelen.
- Druk op de AFSTEMKNOP om de radiomodus te open en druk nogmaals op de AFSTEMKNOP om te wisselen tussen AM en FM.
- Draai aan de AFSTEMMEN-REGELAAR om af te stemmen op het gewenste radiostation, FM ST/REC-indicator zal oplichten wanneer stereo FM is gevonden.

CD-BEDIENING

- Druk op de AAN/UIT-knop om het systeem in te schakelen.
- Druk op de CD/USB/BT-knop om de CD-modus te openen, 'Cd' en het 'DISC'-pictogram zullen op het scherm verschijnen. Het apparaat kan CD, CD-R en CD-RW afspelen.



- Druk op de knop OPENEN/SLUITEN om de cd-lade te openen.
- Plaats uw schijf in de cd-lade met de bedrukte zijde omhoog.
- Druk nogmaals op de knop OPENEN/SLUITEN om de cd-lade te sluiten. Het afspelen wordt automatisch gestart vanaf de eerste track.

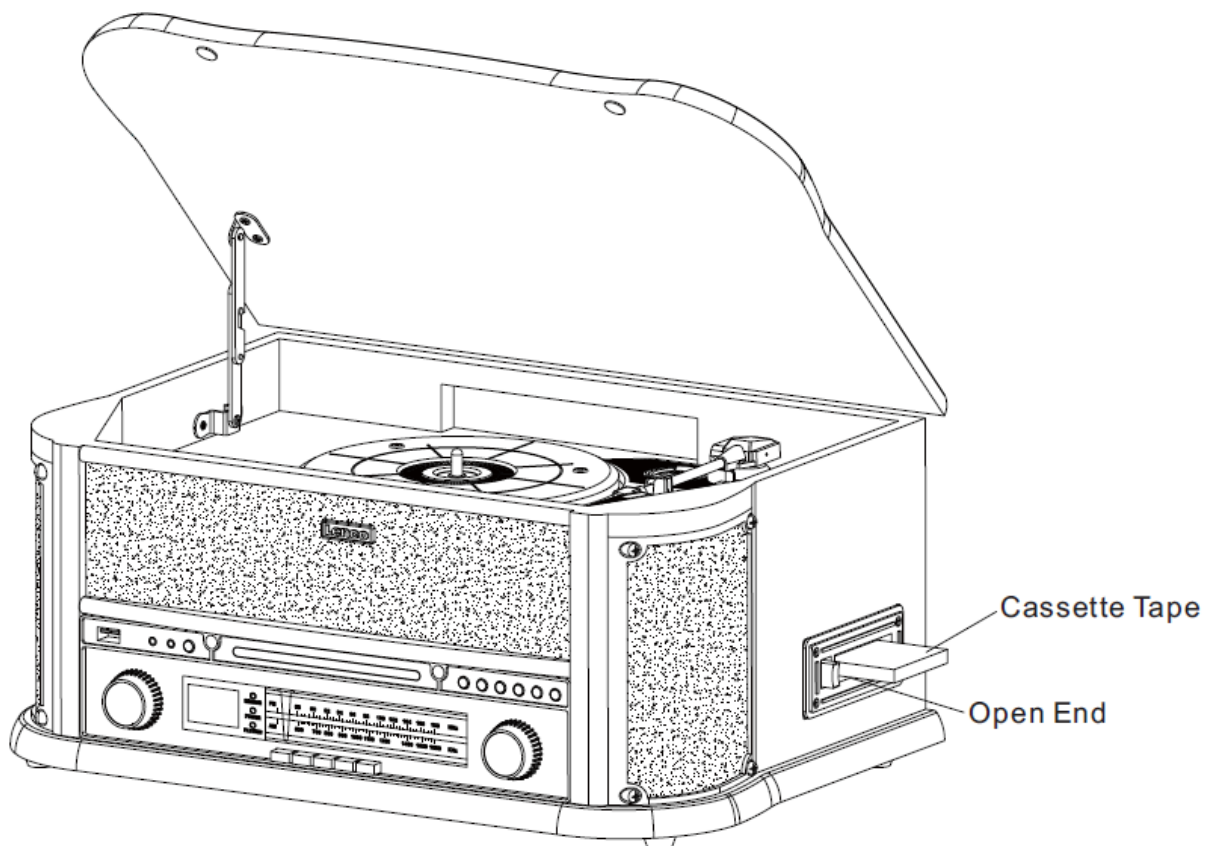
- Het MP3-pictogram wordt weergegeven als MP3-bestanden worden gevonden op de schijf.



CASSETTES AF SPELEN

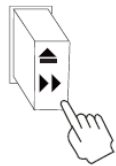
Opmerking: Voordat u de cassette in de speler plaatst, dient u ervoor te zorgen dat er geen overtollige speling in de cassette zit waardoor het mechanisme kan vastlopen.

- Druk op AAN/UIT om het systeem in te schakelen.
- Druk op de knop TAPE/AUX om de TAPE-modus te openen.
- Plaats uw cassette in de houder aan de rechterkant van de behuizing, zoals weergegeven in de afbeelding, met de zijde die u wilt afspelen naar boven gericht en het open uiteinde aan de rechterkant.



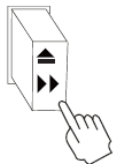
EN	NL
Cassette Tape	Cassettetape
Open End	Open uiteinde

- Het afspelen van de cassette playback begint zodra de tape is geplaatst. Gebruik de VOLUMEREGELAAR om het volume in te stellen op het gewenste niveau.



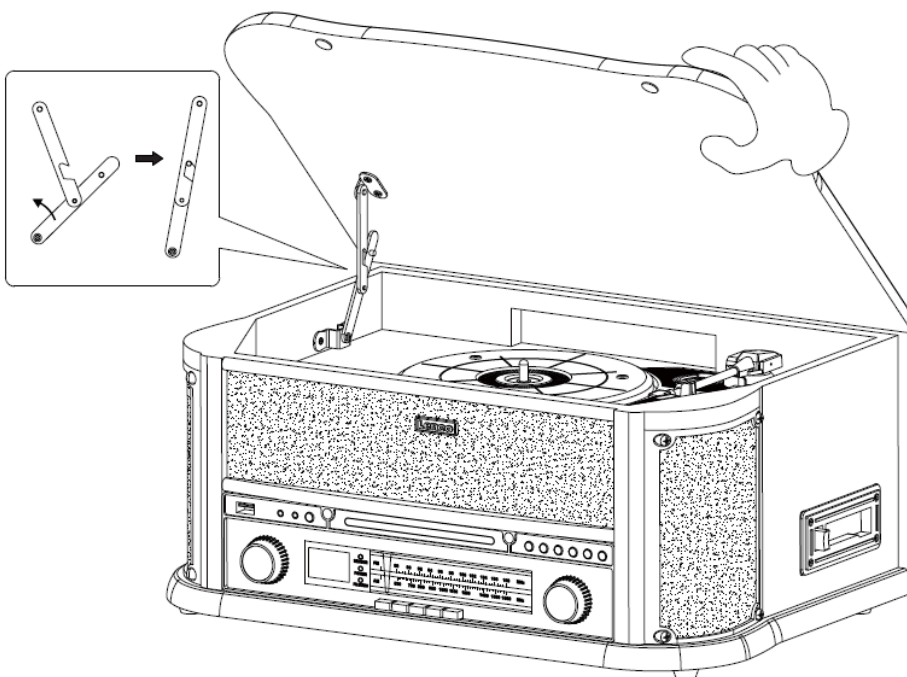
- Druk de knop voor ongeveer de helft in om de tape vooruit te spoelen. De tape blijft vooruitspoelen zolang de knop voor de helft is ingedrukt. De normale weergave wordt hervat wanneer de knop wordt losgelaten.

- De speler stopt automatisch wanneer het einde van de tape is bereikt. Druk de knop



volledig in om de tape uit de speler te verwijderen. U kunt op elk gewenst moment op de knop drukken om het afspelen van de tape te stoppen.

- Druk nogmaals op AAN/UIT om het systeem uit te schakelen.



De stofkap van de platenspeler openen/sluiten

Openen:

- Til de stofkap van de platenspeler helemaal omhoog tot deze stopt.
- Trek de steunbeugel voorzichtig naar de voorzijde van het apparaat en laat vervolgens het deksel zakken.
- De stofkap blijft nu open staan.

Sluiten:

- Til de stofkap van de platenspeler helemaal omhoog tot deze stopt.
- De vergrendeling zal ontgrendelen. Laat de stofkap langzaam zakken. Als de vergrendeling niet ontgrendeld, duw dan met de hand de onderste stang naar buiten.
- Zorg ervoor dat u de stofkap voorzichtig vasthoudt om te voorkomen dat uw vingers bekneld raken bij het sluiten.

LANGSPEELPLATEN AFSPELEN

Het systeem omvat een volledige riemaangedreven platenspeler met 3 snelheden.

U kunt 33, 45 en 78 toeren platen afspelen.

- Druk op **AAN/UIT** om het systeem in te schakelen.
- Druk op de **PHONO**-knop om de **PHONO**-modus te openen.
- Zorg ervoor dat u de naaldafdekking van de naald hebt verwijderd en de toonarmklem hebt ontgrendeld waarmee de toonarm op de toonarmsteun is bevestigd.
- Stel de toerenschakelaar van de platenspeler in op de juiste snelheid 33, 45 of 78 toeren. Als u 45-toeren singles afspeelt, plaatst u de 45-toerenadapter op de middenas.
- Leg uw plaat over de middenas.
- Til de **TOONARMLIFT** op om de toonarm uit zijn steun op te tillen. Beweeg de toonarm naar de rand van de plaat. Het draaiplateau start automatisch. Gebruik de **TOONARMLIFT** om de toonarm voorzichtig op de plaat te laten zakken.
- Gebruik de **volumeregelaar** om het volume in te stellen op het gewenste niveau.
- Wanneer de toonarm het einde van de plaat bereikt, wordt de plaat automatisch gestopt.
- Druk nogmaals op **AAN/UIT** om het systeem uit te schakelen.

De naald installeren

1. Houd de punt van de naald vast en breng de naald in door te drukken in richting "B" zoals aangegeven.
2. Duw de naald omhoog in richting "C" totdat de naald in de puntpositie vergrendeld is.



OPMERKINGEN

We raden u aan uw platen te reinigen met een antistatische doek om er maximaal plezier van te hebben.

We wijzen er ook op dat om dezelfde reden uw naald periodiek (ongeveer elke 250 afspeeluren) moet worden vervangen

BLUETOOTH-WEERGAVE

Druk meerdere keren op CD/USB/BT totdat de display 'BT' weergeeft.

Zoek naar 'Lenco TCD-2551' op uw uitzendende apparaat en selecteer deze naam om te koppelen. Er zal na een geslaagde verbinding een pieptoon klinken terwijl de display stopt met knipperen.

AUX-IN-BEDIENING

Sluit het audiosysteem aan op de AUX IN-ingang op het voorpaneel en druk tweemaal op de knop TAPE/AUX. Start het afspelen via het aangesloten apparaat.

USB-BEDIENING



- Druk tweemaal op de knop CD/USB/BT om de USB-modus te openen. '---' en het USB-pictogram zullen verschijnen.
- Steek een USB-flashapparaat in de USB-poort.
- De functies START/PAUZE, OMLAAG/OMHOOG en STOP zijn hetzelfde als de cd-functies.

AFSPELEN IN MP3-MODUS (CD/USB)

- Druk op de knop START/PAUZE om het afspelen van de geselecteerde track te starten of pauzeren.
- Het track- en mapnummer van de geselecteerde track worden tijdens het afspelen weergegeven op de display.
- U kunt het afspelen op elk gewenst moment stoppen door op de STOP-toets te drukken.

TRACKS OVERSLAAN EN VOORUIT-/TERUGSPOELEN IN CD-/USB-MODUS

Druk tijdens de CD-/USB-weergave meerdere keren op de knop OMHOOG/VOORUITSPOELEN (⏮) of OMLAAG/TERUGSPOELEN (⏭) op het voorpaneel van het apparaat of op de afstandsbediening om van track te wisselen. Houd de knop OMHOOG/VOORUITSPOELEN (⏮) of OMLAAG/TERUGSPOELEN (⏭) ingedrukt om een track vooruit of terug te spoelen. Om 10 tracks over te slaan, drukt u op TRACK+10 op de afstandsbediening.

USB-OPNAME

● Cd-opname

Steek een USB-flashdrive in de USB-poort. Druk vervolgens op de knop CD/USB/BT. Plaats een cd in de cd-lade en speel de track af die u wilt opnemen. Druk tweemaal op de OPNAME-knop om de opname te starten. Als u de hele cd afspeelt, worden alle tracks opgenomen.

OPMERKING: De opname stopt als u op de STOP-toets drukt.

● MP3-DISK-opname

Steek een USB-flashdrive in de USB-poort. Druk vervolgens op de knop CD/USB/BT. Plaats een cd met MP3-bestanden in de cd-lade en speel de MP3-track af die u wilt opnemen. Druk tweemaal op de OPNAME-knop om de opname te starten. Als u alle MP3-bestanden afspeelt, worden alle tracks opgenomen.

OPMERKING: De opname stopt als u op de STOP-toets drukt.

● Cassette-opname

Steek een USB-flashdrive in de USB-poort. Druk vervolgens op de knop TAPE/AUX. Plaats een cassette in de cassettehouder. Speel de cassette af. Druk op de OPNAME-knop om de opname te starten. De opname stopt als u op de STOP-toets drukt.

● Een plaat opnemen

Steek een USB-flashdrive in de USB-poort. Druk vervolgens op de PHONO-knop. Speel een plaat af en druk op de OPNAME-knop om de opname te starten. De opname stopt als u op de STOP-toets drukt.

- **AUX IN-opname**

Steek een USB-flashdrive in de USB-poort. Sluit het externe audio-apparaat aan op de AUX-ingang op het achterpaneel. Druk vervolgens op de knop TAPE/AUX, speel de muziek af en druk op de OPNAME-knop om de opname te starten.

- **AM-/FM-radio opnemen**

Steek een USB-flashdrive in de USB-poort. Druk vervolgens op de AFSTEMKNOP om op de modus AM/FM te schakelen. Druk op de OPNAME-knop om de opname te starten. Druk op STOP om de opname te stoppen.

TRACKS WISSEN VAN EEN USB-DISK

Druk op de knop CD/USB/BT op het voorpaneel. Selecteer een track, houd de WISKNOP 2 seconden ingedrukt en de track wordt gewist.

Garantie

Commaxx B.V. verleent service en garantie in overeenstemming met de Europese wetgeving, wat betekent dat u bij reparaties (zowel tijdens als na de garantieperiode) contact dient op te nemen met uw lokale dealer.

Belangrijke opmerking: Het is niet mogelijk om te repareren producten direct naar Commaxx B.V. te sturen.

Belangrijke opmerking: Als dit apparaat op enigerlei wijze wordt geopend door de gebruiker of een niet-officieel servicecentrum, komt de garantie te vervallen.

Dit apparaat is niet geschikt voor professioneel gebruik. Bij professioneel gebruik worden alle garantieverplichtingen van de fabrikant nietig.

Disclaimer

Er worden regelmatig updates voor de firmware en/of hardwarecomponenten uitgegeven. Daarom kunnen sommige instructies, specificaties en afbeeldingen in deze documentatie enigszins afwijken van uw specifieke situatie. Alle items beschreven in deze handleiding, zijn alleen bestemd ter illustratie en zijn mogelijk niet van toepassing op een bepaalde situatie. Aan de beschrijving in deze handleiding kunnen geen wettelijke rechten of aanspraken worden ontleend.

Het oude apparaat afdanken



Dit symbool geeft aan dat het betreffende elektrische product of de batterij in Europa niet als algemeen huishoudelijk afval mag worden afgevoerd. Om ervoor te zorgen dat het product en de batterij op de juiste manier worden verwerkt, dient u deze af te danken in overeenstemming met de toepasselijke lokale wetgeving met betrekking tot de verwijdering van elektrische apparatuur of batterijen. U helpt hierdoor natuurlijke hulpbronnen te behouden en de normen voor milieubescherming bij de behandeling en verwijdering van elektrisch afval te verbeteren (richtlijn afgedankte elektrische en elektronische apparatuur).

CONFORMITEITSVERKLARING

Hierbij verklaart Commaxx dat de radio-uitrusting type [Lenco TCD-2551] in overeenstemming is met richtlijn 2014/53/EU. De volledige tekst van de EU-conformiteitsverklaring is beschikbaar op het volgende internetadres:

https://commaxx-certificates.com/doc/tcd-2551_doc.pdf

Type RF	Frequentiebereik: (MHz)	Vermogen (dBm)
Bluetooth	2402-2480	<6
DAB	174-240	-
FM	87,5-108	-

Service

Bezoek voor meer informatie en helpdeskondersteuning

DEUTSCH

VORSICHT:

Eine andere als die hier beschriebene Benutzung der Bedienelemente oder Einstellung oder Durchführung von Abläufen kann zu einer Aussetzung gefährlicher Strahlung führen.

VORSICHTSMASSNAHMEN VOR DER BENUTZUNG

BEFOLGEN SIE IMMER FOLGENDE ANWEISUNGEN:

1. Blockieren oder bedecken Sie keine Lüftungsöffnungen. Wenn Sie das Gerät auf ein Regal stellen, lassen Sie um das gesamte Gerät 5 cm (2") Freiraum.
2. Stellen Sie das Gerät entsprechend den Anweisungen der mitgelieferten Bedienungsanleitung auf.
3. Halten Sie das Gerät von Hitzequellen wie Radiatoren, Heizern, Öfen, Kerzen oder anderen hitzezeugenden Produkten oder offenen Flammen fern. Das Gerät darf nur bei gemäßigttem Klima verwendet werden. Sehr kalte oder heiße Umgebungen sind zu vermeiden. Die Betriebstemperatur liegt zwischen 0 °C und 35 °C.
4. Meiden Sie bei der Benutzung des Produkts die Nähe starker Magnetfelder.
5. Elektrostatische Entladungen können die normale Benutzung dieses Gerätes stören. Sollte dies geschehen, setzen Sie das Gerät zurück und starten Sie es dann entsprechend den Anweisungen dieser Bedienungsanleitung neu. Gehen Sie besonders bei Datenübertragungen mit dem Gerät vorsichtig um und führen Sie diese nur in einer anti-elektrostatischen Umgebung aus.
6. Warnung! Niemals Gegenstände durch die Lüftungsschlitze oder Öffnungen in das Gerät stecken. Dieses Gerät steht unter Hochspannung. Das Hineinstecken von Gegenständen kann zu Stromschlag und/oder Kurzschluss interner elektrischer Bauteile führen. Spritzen/gießen Sie aus dem gleichen Grund weder Wasser noch andere Flüssigkeiten auf das Gerät.
7. Benutzen Sie das Gerät nicht in nasser oder feuchter Umgebung wie Bad, Dampfküche oder in der Nähe von Schwimmbekken.
8. Das Gerät darf weder Tropf- noch Spritzwasser ausgesetzt werden und es dürfen keine mit Flüssigkeit gefüllten Behälter wie z. B. Vasen auf das Gerät oder in der Nähe des Gerätes gestellt werden.
9. Benutzen Sie das Gerät nicht, wenn Kondensation entstehen kann. Wenn Sie das Gerät in einem warmen, feuchten Raum mit Dampf benutzen, können Wassertropfen oder Kondensation in das Gerät eindringen und u. U. zu Fehlfunktionen des Gerätes führen. Schalten Sie in diesem Fall das Gerät für 1 bis 2 Stunden aus, bevor Sie es erneut einschalten, wobei Sie darauf achten sollten, dass das Gerät vollständig getrocknet ist, bevor Sie es wieder einschalten.
10. Obwohl dieses Gerät unter größter Sorgfalt hergestellt und vor Auslieferung mehrmals überprüft wurde, können trotzdem wie bei jedem anderen elektrischen Gerät auch Probleme auftauchen. Trennen Sie das Gerät bei Rauchentwicklung, starker Hitzeentwicklung oder jeder anderen unnatürlichen Erscheinung sofort vom Stromnetz.
11. Dieses Gerät ist durch eine Stromquelle wie auf dem Typenschild angegeben zu betreiben. Halten Sie bei Unsicherheiten über die Art Ihrer Stromversorgung in Ihrer Wohnung Rücksprache mit Ihrem Händler oder Ihrem Stromversorger.
12. Halten Sie das Gerät von Haustieren fern. Einige Nagetiere nagen gerne an Netzkabeln.
13. Benutzen Sie für die Reinigung ein weiches, trockenes Tuch. Benutzen Sie niemals Lösungsmittel oder Flüssigkeiten auf Ölbasis.
Benutzen Sie zum Entfernen hartnäckiger Flecken ein feuchtes Tuch mit mildem Reinigungsmittel.
14. Der Hersteller haftet nicht für Beschädigungen oder Datenverluste aufgrund von Fehlfunktion, Zweckentfremdung oder Modifikation des Gerätes oder aufgrund des Wechselns der Batterie.
15. Unterbrechen Sie die Verbindung nicht während einer Formatierung oder einer Datenübertragung. Bei Unterbrechung drohen Datenverlust und Datenbeschädigung.
16. Wenn das Gerät eine USB-Wiedergabefunktion besitzt, stecken Sie den USB-Stick direkt in das Gerät. Verwenden Sie kein USB-Verlängerungskabel, weil die erhöhte Störungsanfälligkeit zu Datenverlust führen kann.
17. Das Typenschild befindet sich an der Unter- oder Rückseite des Gerätes.
18. Dieses Gerät ist nicht zur Benutzung durch Personen (einschließlich Kinder) mit physischen, sensorischen oder mentalen Beeinträchtigungen oder ohne ausreichende Erfahrung vorgesehen, es

sei denn, sie werden durch eine für ihre Sicherheit verantwortliche Person beaufsichtigt oder wurden in die ordnungsgemäße Bedienung des Gerätes durch eine für ihre Sicherheit verantwortliche Person eingewiesen.

19. Dieses Produkt ist nur für den nicht-professionellen Gebrauch und nicht für gewerbliche oder industrielle Zwecke bestimmt.
20. Stellen Sie sicher, dass das Gerät in einer stabilen Position aufgestellt ist. Schäden, die durch Verwendung dieses Produkts in einer instabilen Position, durch Vibrationen, Stöße oder Nichtbeachtung der anderen in diesem Handbuch enthaltenen Warnungen und Sicherheitsmaßnahmen entstehen, werden nicht durch die Garantie abgedeckt.
21. Entfernen Sie niemals das Gehäuse dieses Gerätes.
22. Stellen Sie dieses Gerät niemals auf andere elektrische Geräte.
23. Halten Sie Kinder von den Plastiktüten fern.
24. Benutzen Sie nur vom Hersteller spezifizierte Erweiterungen/Zubehörteile.
25. Lassen Sie alle Wartungs-/Reparaturarbeiten von qualifiziertem Servicepersonal ausführen. Reparatur/Wartung wird notwendig, wenn das Gerät in irgendeiner Weise wie beispielsweise am Netzkabel oder am Netzstecker beschädigt wurde oder wenn Flüssigkeit in das Gerät gelangt ist bzw. Gegenstände in das Gerät gefallen sind, das Gerät Regen oder Feuchtigkeit ausgesetzt war, es heruntergefallen ist oder nicht ordnungsgemäß funktioniert.
26. Langes Hören lauter Töne aus einem Musikgerät kann zu zeitweiligem oder permanentem Hörverlust führen.
27. Wenn zum Lieferumfang des Produkts ein Netzkabel oder ein Netzadapter gehört:
 - Wenn irgendwelche Probleme auftreten, trennen Sie das Gerät vom Stromnetz und setzen Sie sich anschließend mit einer qualifizierten Fachkraft in Verbindung.
 - Treten Sie nicht auf den Netzadapter und klemmen Sie ihn auch nicht ein. Seien Sie besonders im näheren Bereich des Netzsteckers und an der Stelle vorsichtig, an der das Netzkabel aus dem Gerät herausgeführt wird. Stellen Sie keine schweren Gegenstände auf den Netzadapter, da er dadurch beschädigt werden kann. Halten Sie das gesamte Gerät außerhalb der Reichweite von Kindern! Durch Spielen mit dem Netzkabel können sie sich ernsthafte Verletzungen zuziehen.
 - Trennen Sie das Gerät während eines Gewitters oder bei längerer Nichtbenutzung vom Stromnetz.
 - Die Netzsteckdose muss sich in der Nähe des Gerätes befinden und einfach zu erreichen sein.
 - Überlasten Sie Steckdosen und Verlängerungsleitungen nicht. Eine Überlastung kann zu Brandgefahr bzw. Stromschlag führen.
 - Geräte der Schutzklasse 1 müssen an eine Netzsteckdose mit Schutzleiter angeschlossen werden.
 - Geräte der Schutzklasse 2 benötigen keinen Schutzleiteranschluss.
 - Greifen Sie beim Abziehen von der Netzsteckdose am Netzstecker. Ziehen Sie ihn nicht durch Zerren am Kabel heraus. Das kann zu einem Kurzschluss führen.
 - Verwenden Sie weder ein beschädigtes Netzkabel noch einen beschädigten Netzstecker oder eine lockere Steckdose. Missachtung kann zu Brand oder Stromschlag führen.
28. Wenn das Produkt mit einer Fernbedienung mit Batterien/Knopfzellen geliefert wird oder das Produkt eine derartige Fernbedienung umfasst:

Warnung:

 - Die Batterie nicht verschlucken – Verätzungsgefahr.
 - Die mit diesem Produkt [gelieferte Fernbedienung] enthält eine Knopfzelle. Wenn die Knopfzelle verschluckt wird, kann sie innerhalb von nur 2 Stunden schwere innere Verbrennungen verursachen, die zum Tod führen können.
 - Halten Sie neue und gebrauchte Batterien von Kindern fern.
 - Falls sich das Batteriefach nicht richtig schließen lässt, stellen Sie die Benutzung des Gerätes ein und halten Sie es von Kindern fern.
 - Wenn Sie vermuten, dass Batterien verschluckt oder in eine Körperöffnung eingeführt worden sind, suchen Sie umgehend eine(n) Ärztin/Arzt auf.
29. Warnhinweise bzgl. der Verwendung von Batterien:
 - Es besteht Explosionsgefahr, wenn die Batterie nicht ordnungsgemäß ersetzt wird. Tauschen Sie die Batterie nur gegen eine Batterie des gleichen Typs aus.

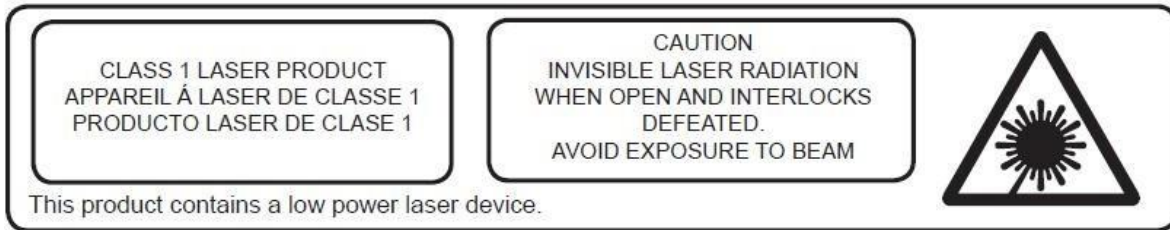
- Die Batterie darf während der Benutzung, Aufbewahrung oder des Transports weder sehr hohen oder sehr niedrigen Temperaturen noch niedrigem Luftdruck in großen Höhenlagen ausgesetzt werden.
- Die Auswechslung der Batterie mit einem falschen Batterietyp kann zum Explodieren der Batterie oder zum Entweichen von entflammbarem Gas oder Auslaufen von entflammbarer Flüssigkeit aus der Batterie führen.
- Die Entsorgung der Batterie in Feuer oder einem heißen Ofen oder das mechanische Zerkleinern oder Zerteilen der Batterie kann zu Explosionen führen.
- Das Verbleiben der Batterie in einer Umgebung mit sehr hohen Temperaturen kann zum Explodieren der Batterie oder zum Entweichen von entflammbarem Gas oder zum Auslaufen von entflammbarer Flüssigkeit aus der Batterie führen.
- Eine in einem sehr niedrigen Luftdruck ausgesetzte Batterie kann explodieren oder es kann aus einer in einem sehr niedrigen Luftdruck ausgesetzten Batterie entflammbares Gas entweichen oder entflammbare Flüssigkeit auslaufen.
- Legen Sie besonderes Augenmerk auf den ökologischen Aspekt der Batterieentsorgung.

INSTALLATION

- Packen Sie alle Teile aus und entfernen Sie danach die Schutzmaterialien.
- Schließen Sie das Gerät erst an das Stromnetz an, nachdem Sie die Netzspannung überprüft haben und alle anderen notwendigen Anschlüsse hergestellt sind.

WARNUNG

Laserprodukt der Klasse 1



EN	DE
CLASS 1 LASER PRODUCT	LASERPRODUKT DER KLASSE 1
CAUTION	ACHTUNG
INVISIBLE LASER RADIATION WHEN OPEN AND INTERLOCKS DEFEATED.	UNSICHTBARE STRAHLUNG, WENN GEÖFFNET UND BEI UMGANGENER VERRIEGELUNG.
AVOID EXPOSURE TO BEAM	SCHAUEN SIE NIE DIREKT IN DEN LASERSTRAHL
This product contains a low power laser device.	Dieses Produkt enthält eine Lasereinheit geringer Leistung.

Warnung: Berühren Sie die Linse nicht.

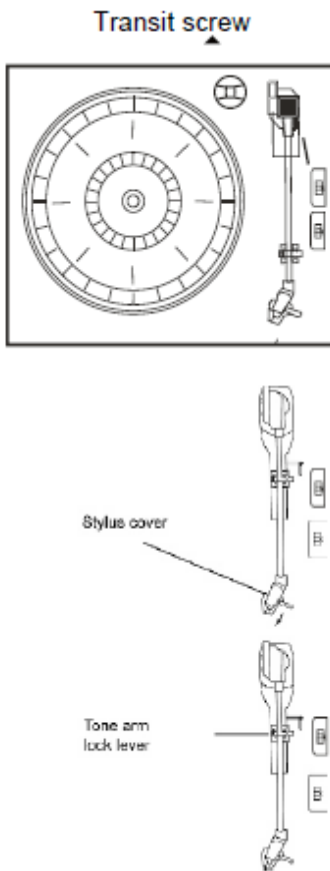
GEHÄUSE REINIGEN

Wenn das Echtholzgehäuse verstaubt ist, wischen Sie es bitte mit einem weichen, nicht scheuernden Staubtuch ab. Verwenden Sie auch kein Wasser oder einen Sprühreiniger, da dies das Gehäuse und die Kunststoff-/Metallteile des Geräts beschädigen kann.

TECHNISCHE DATEN

- Umdrehung des Plattentellers: 33/45/78 U/min (Plattengröße 17,5/25/30 cm)
- CD-Player kann CD/CD-R/CD-RW/MP3 abspielen
- USB kann MP3 abspielen
- Kassette: C60 und C90 (C120-Kassetten werden nicht empfohlen)

VORBEREITUNG



- Nehmen Sie das Gerät vorsichtig aus der Verpackung und entfernen Sie sämtliches Verpackungsmaterial vom Gerät.
- Wickeln Sie das Netzadapterkabel auf seine volle Länge ab.
- Wickeln Sie die UKW-Wurfantenne ab und ziehen Sie sie auf ihre volle Länge.

Heben Sie die Staubschutzhaube an, um den Plattenteller zugänglich zu machen.

- Nehmen Sie den undurchsichtigen, weißen Plastikschild der Tonnadel ab, indem Sie diesen Schild in Richtung des Pfeiles schieben.
- Achten Sie während des Betriebs auf die Tonabnehmernadel, da Schäden daran nicht von der Garantie abgedeckt sind.
- Entfernen Sie den Kabelbinder, mit dem der Tonarm während des Transports gesichert war.
- Lösen Sie den Verriegelungshebel des Tonarms.
- Schließen Sie den Netzstecker an einer geeigneten 220 V, 50 Hz Steckdose an.

EN	DE
Transit screw	Transportsicherungsschraube
Style cover	Plastikschild der Tonabnehmernadel
Tone arm lock lever	Hebel der Tonarmverriegelung

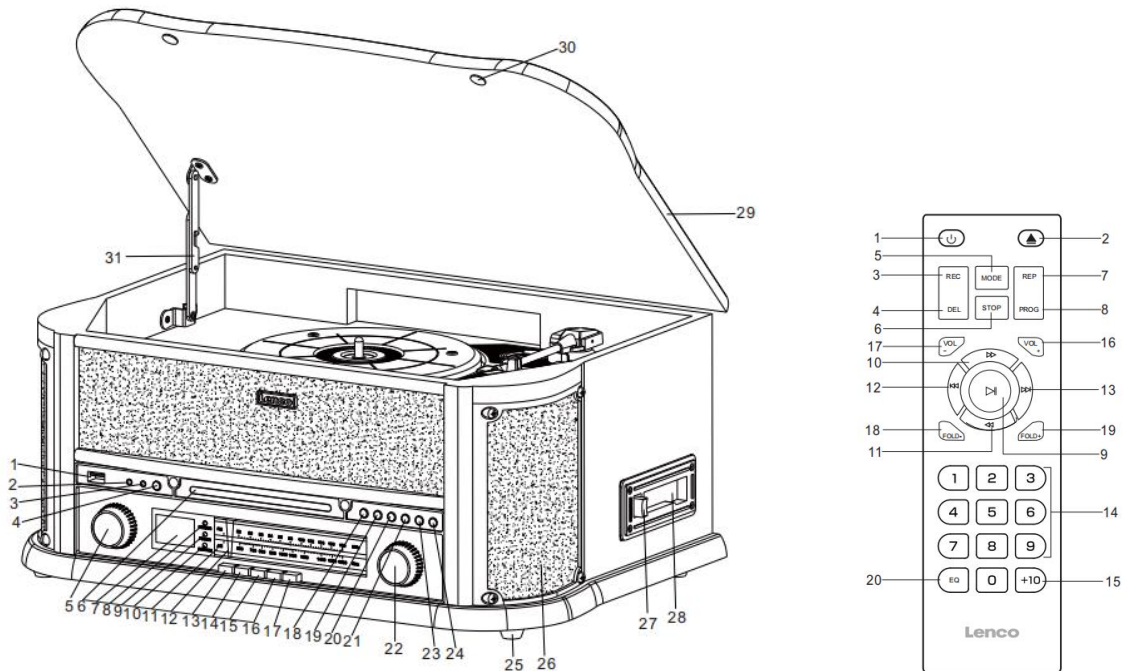
WICHTIG! STAUBSCHUTZHAUBE DES PLATTENSPIELERS ANHEBEN UND ABSENKEN

Abdeckung öffnen. Heben Sie sie so weit wie möglich an, ziehen Sie dann den Haltemechanismus vorsichtig nach vorn und senken Sie die Staubschutzhaube langsam ab.

Deckelschließen. Heben Sie die Staubschutzhaube an, um den Haltemechanismus zu entriegeln, dann senken Sie die Staubschutzhaube vorsichtig ab.

UM EINE BESCHÄDIGUNG DES GEHÄUSES ODER DER STAUBSCHUTZHAUBE ZU VERMEIDEN, SCHLIESSEN SIE DIE STAUBSCHUTZHAUBE NICHT GEWALTSAM. HEBEN SIE DIE STAUBSCHUTZHAUBE IMMER AN, UM DEN HALTEMECHANISMUS ZU LÖSEN.

BEDIENELEMENTE UND ANZEIGEN



Bedienelemente:

1. USB-PORT	17. EQ-TASTE
2. 3,5-MM-AUX-EINGANG	18. WIEDERGABE/PAUSE-TASTE
3. 3,5-MM-KOPFHÖRERANSCHLUSS	19. STOPP-TASTE
4. AUFNAHME-/LÖSCHTASTE	20. ABWÄRTS-/SCHNELLRÜCKLAUF-TASTE
5. LAUTSTÄRKEREGLER/BEREITSCHAFT	21. AUFWÄRTS-/SCHNELLVORLAUF-TASTE
6. CD-FACH	22. EINSTELLREGLER
7. LCD-DISPLAY	23. ERP-/PROGRAMMTASTE
8. FERNBEDIENUNGSSENSOR	24. CD-FACH-ÖFFNEN/SCHLIESSEN-TASTE
9. BETRIEBSANZEIGE	25. KUNSTSTOFFFUSSAUFLAGE
10. UKW STEREO-/AUFNAHME-ANZEIGE	26. LAUTSPRECHER
11. MW/UKW-FREQUENZANZEIGE	27. KASSETTE AUSWERFEN-/SCHNELLER VORLAUF-TASTE
12. FREQUENZZEIGER	28. KASSETTENLAUFWERK
13. TUNER-TASTE (MW/UKW)	29. STAUBSCHUTZHAUBE
14. CD-/USB-/BT-TASTE	30. AUFLAGE DER STAUBSCHUTZHAUBE
15. KASSETTEN-/AUX-EINGANGSTASTE	31. SCHARNER
16. PHONO-TASTE	

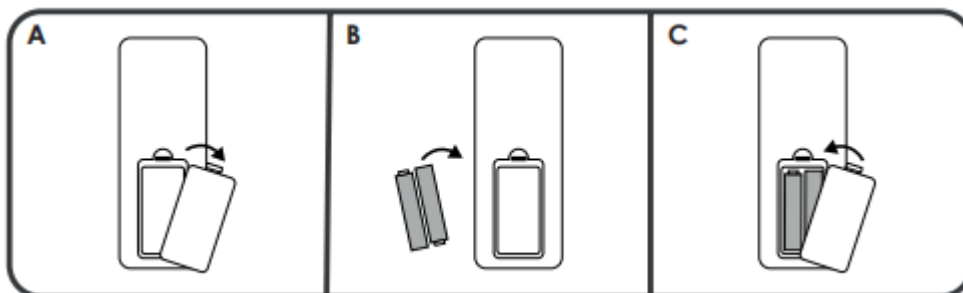
FERNBEDIENUNG

1. EIN/AUS
2. CD-FACH ÖFFNEN/SCHLIESSEN
3. AUFNAHME-TASTE: Im CD-/MW-/UKW-/AUX-EINGANGS-/BT-/PHONO-/KASSETTEN-Modus drücken, um die Aufnahmefunktion zu aktivieren.
4. LÖSCHEN-TASTE
5. MODUSTASTE zur Auswahl der Quelle CD/USB/BT/AM/FM/TAPE/PHONO/AUX IN.
6. STOPP-TASTE
7. WIEDERHOLEN-TASTE zur Auswahl der wiederholten Wiedergabe (CD/USB).
8. PROGRAMM: im CD-/USB-Modus zum Aktivieren der Programmierfunktion drücken.
9. WIEDERGABE/PAUSE: im CD-/USB-Modus zum Starten der Wiedergabe einmal drücken und zum Aufrufen des Pausmodus noch einmal drücken.
10. SCHNELLER VORLAUF-TASTE
11. RÜCKLAUFTASTE
12. RÜCKWÄRTS SPRINGEN-TASTE
13. VORWÄRTS SPRINGEN-TASTE
14. ZIFFERBLOCK 0 bis 9
15. 10+-Titel-Taste zur Auswahl 2-stelliger Zahlen.
16. LAUTER-TASTE
17. LEISER-TASTE
18. ORDNER ABWÄRTS-TASTE
19. ORDNER AUFWÄRTS-TASTE
20. EQ-TASTE zur Auswahl zwischen verschiedenen Klangeffekten wie NORMAL/POP/KLASSIK/ROCK/JAZZ.

Batterien für die Fernbedienung

Die Infrarot-Fernbedienung benötigt zwei AAA-Batterien (nicht im Lieferumfang enthalten).

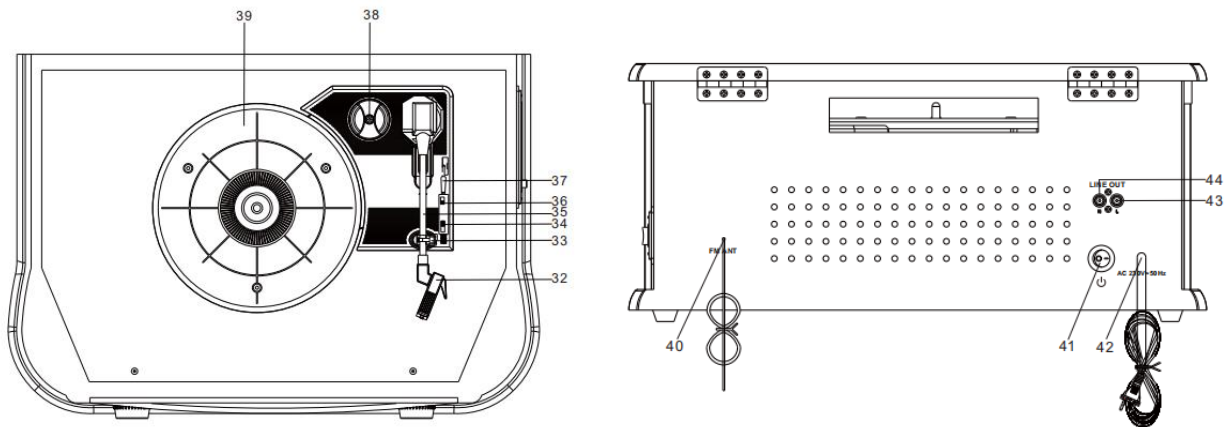
- A) Öffnen Sie das Batteriefach.
- B) Legen Sie zwei AAA-Batterien entsprechend den Markierungen im Batteriefach ein.
- C) Schließen Sie das Batteriefach wieder.



Hinweis 1: Alle Tasten auf der Fernbedienung haben die gleiche Funktion wie die Tasten auf dem Gerät. Die Fernbedienung wird nur für den CD/MP3- und USB-Modus verwendet.

Hinweis 2: Wenn Sie WIEDERGABE/PAUSE auf der Fernbedienung für 2 Sekunden gedrückt halten, wird zwischen CD und USB umgeschaltet.

Hinweis 3: Halten Sie die LÖSCHTASTE auf der Fernbedienung 2 Mal gedrückt, um im USB-Modus eine Datei zu löschen.



- 32. TONABNEHMER
- 33. AUFNAHMEHALTER
- 34. 33/45/78-U/MIN-GESCHWINDIGKEITSREGLER
- 35. TONARM
- 36. Auto-Stopp EIN/AUS
- 37. TONARMHEBEL
- 38. NETZTEIL
- 39. PLATTENTELLER
- 40. UKW-/DAB-ANTENNE
- 41. EIN-/AUSSCHALTER
- 42. NETZKABEL
- 43/44. LINE-AUSGÄNGE (R+L)

HINWEIS

Die MW-Antenne befindet sich im Gehäuse. WENN der MW-Empfang nicht zufriedenstellend ist, versuchen Sie das Gerät umzusetzen, bis das stärkste Signal empfangen wird.

Die UKW-Wurfantenne befindet sich auf der Rückseite des Gehäuses. Passen Sie gegebenenfalls Lage und Ausrichtung dieser Antenne an, bis Sie den besten Empfang haben.

EIN/AUS

- Stellen Sie den EIN/AUS-SCHALTER auf EIN. Drücken Sie die Ein/Aus-Taste, um das System einzuschalten; das Display leuchtet auf.
- Drücken Sie eine Funktionstaste (MW/UKW/CD/USB/KASSETTE/PHONO/AUX-EINGANG), um die gewünschte Funktion zu wählen.

- Stellen Sie die Lautstärke mit der Lautstärkereglung ein.
- Am Ende drücken Sie erneut die Ein/Aus-Taste, um das System auszuschalten. Das Display erlischt.

Hinweis: Das Gerät ist ERP2-kompatibel und schaltet in den Standby-Modus, wenn 15 Minuten lang keine Bedienung erfolgt. Drücken Sie einmal die Ein/Aus-Taste, um das Gerät wieder zu starten.

RADIO HÖREN

- Drücken Sie die Ein/Aus-Taste, um das System einzuschalten.
- Drücken Sie die TUNER-Taste, um in den Radiomodus umzuschalten. Drücken Sie die TUNER-Taste erneut, um zwischen MW und UKW umzuschalten.
- Drehen Sie den EINSTELLREGLER, um den gewünschten Radiosender einzustellen. Die UKW STEREO/AUFNAHME-Anzeige leuchtet, wenn ein Stereosender gefunden wurde.

CD-BETRIEB

- Drücken Sie die Ein/Aus-Taste, um das System einzuschalten.
- Drücken Sie die CD-/USB-/BT-Taste, um den CD-Modus aufzurufen. Das Display zeigt „Cd“ und das Symbol „DISC“ an. Das Gerät kann CD, CD-R und CD-RW abspielen.



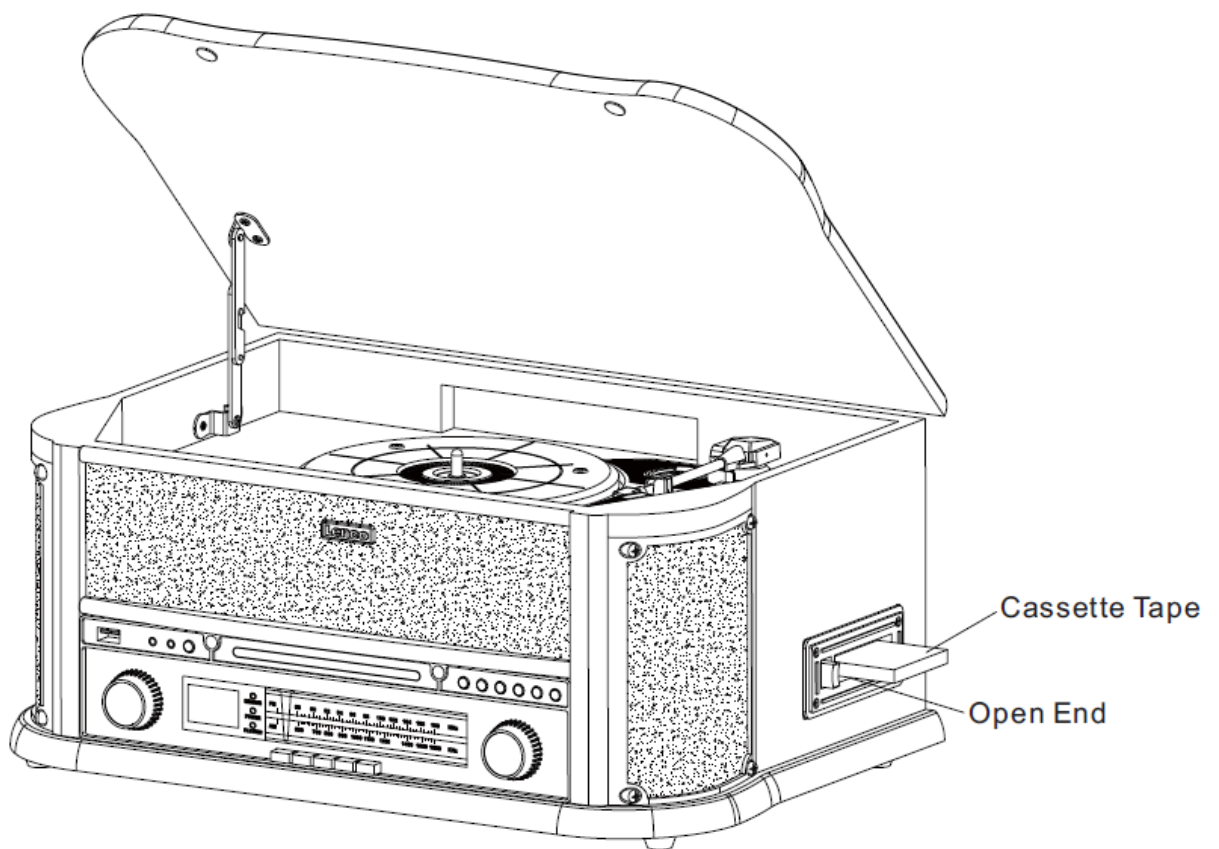
- Drücken Sie die ÖFFNEN/SCHLIEßEN-Taste, um das CD-Laufwerk zu öffnen.
- Legen Sie Ihre CD mit der beschrifteten Seite nach oben in das CD-Laufwerk ein.
- Drücken Sie erneut die ÖFFNEN/SCHLIEßEN-Taste, um das CD-Laufwerk zu schließen. Die Wiedergabe beginnt automatisch mit dem ersten Titel.
- Das MP3-Symbol wird angezeigt, wenn eine MP3-Datei auf der Disc erkannt wird.



KASSETTENWIEDERGABE

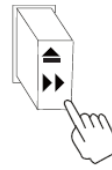
Hinweis: Bevor Sie die Kassette einlegen, vergewissern Sie sich, dass sie nicht zu viel Spiel hat, um den Mechanismus nicht zu blockieren.

- Drücken Sie die Ein/Aus-Taste, um das System einzuschalten.
- Drücken Sie die KASSETTEN-/AUX-EINGANGS-Taste, um den KASSETTEN-Modus aufzurufen.
- Führen Sie die Kassette in den Einschub auf der rechten Seite des Geräts ein, wie in der Abbildung gezeigt, mit der Seite, die Sie abspielen möchten, nach oben und dem offenen Ende auf der rechten Seite.



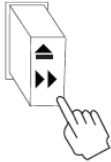
EN	DE
Cassette Tape	Kassette
Open End	Offene Seite

- Die Wiedergabe beginnt, sobald die Kassette eingelegt ist. Stellen Sie den Lautstärkeregler auf die gewünschte Lautstärke ein.



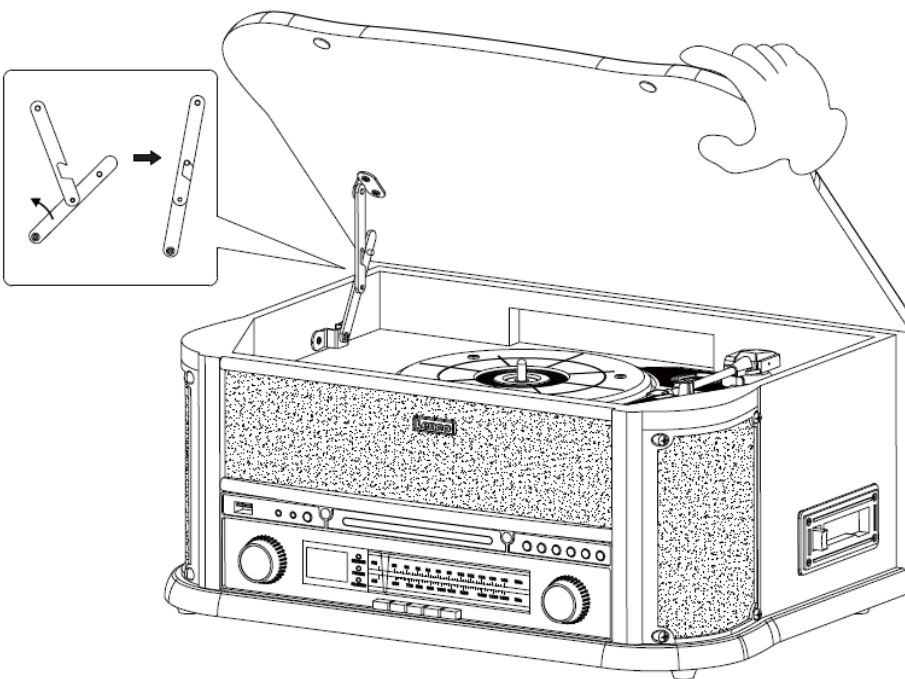
- Um das Band schnell vorzuspulen, drücken Sie die Taste etwa bis zur Hälfte ein. Das Band läuft so lange schnell vorwärts, wie Sie die Taste gedrückt halten. Die normale Wiedergabe wird fortgesetzt, wenn Sie die Taste loslassen.

- Wenn das Band zu Ende ist, hält das Kassettengerät automatisch an. Drücken Sie die Taste



ganz ein, um die Kassette auszugeben. Sie können die Taste jederzeit drücken, um die Wiedergabe der Kassette zu beenden.

- Drücken Sie erneut die Ein/Aus-Taste, um das System auszuschalten.



Öffnen/Schließen der Abdeckung des Plattenspielers

Zum Öffnen:

- Heben Sie die Abdeckung des Plattenspielers bis zum Anschlag an.
- Ziehen Sie den Haltemechanismus vorsichtig nach vorn und senken Sie dann die Abdeckung ab.
- Die Abdeckung bleibt nun offen.

Zum Schließen:

- Heben Sie die Abdeckung bis zum Anschlag an.

- Die Verriegelung sollte ausrasten. Senken Sie die Abdeckung langsam ab. Wenn die Verriegelung nicht ausrastet, drücken Sie die untere Stange mit der Hand heraus.
- Achten Sie darauf, die Abdeckung vorsichtig zu halten, um sich beim Schließen die Finger nicht einzuklemmen.

SCHALLPLATTEN ABSPIELEN

Das System verfügt über einen riemengetriebenen Plattenspieler in voller Größe mit 3 Geschwindigkeiten. Sie können Schallplatten mit 33, 45 und 78 U/min abspielen.

- Drücken Sie die **Ein/Aus-Taste**, um das System einzuschalten.
- Drücken Sie die **PHONO-Taste**, um den **PHONO-Modus** aufzurufen.
- Vergewissern Sie sich, dass Sie den Plastikschutz der Tonabnehmernadel entfernt und die Tonarmverriegelung gelöst haben, mit der der Tonarm an der Tonarmauflage gehalten wird.
- Stellen Sie den Geschwindigkeitsregler des Plattenspielers entsprechend auf 33, 45 oder 78 U/min ein. Wenn Sie Singles mit 45 U/min abspielen, setzen Sie den 45-U/min-Adapter auf die Spindel.
- Legen Sie Ihre Schallplatte auf den Plattenteller.
- Heben Sie den **TONARMHEBEL** an, um den Tonarm aus seiner Halterung zu heben. Bewegen Sie den Tonarm bis zum Rand der Schallplatte. Der Plattenteller startet automatisch. Verwenden Sie den **TONARMHEBEL**, um den Tonarm sanft auf die Schallplatte abzusenken.
- Stellen Sie den **Lautstärkeregl**er auf die gewünschte Lautstärke ein.
- Wenn der Tonarm das Ende der Schallplatte erreicht, stoppt er automatisch die Schallplatte.
- Drücken Sie erneut die Ein/Aus-Taste, um das System auszuschalten.

Einsetzen der Tonnadel

1. Halten Sie die Tonnadel an der Spitze fest und setzen Sie sie dann ein, indem Sie sie wie abgebildet in Richtung „B“ drücken.
2. Drücken Sie nun die Tonnadel solange nach oben in Richtung „C“, bis sie in der für sie vorgesehenen Position einrastet.



HINWEISE

Wir empfehlen Ihnen, Ihre Schallplatten mit einem antistatischen Tuch zu reinigen, um ein maximales Musikerlebnis von den Schallplatten zu erhalten.

Wir möchten Sie aus selben Grund darauf hinweisen, Ihre Tonnadel regelmäßig (ungefähr alle 250 Wiedergabestunden) zu wechseln.

BLUETOOTH-WIEDERGABE

Drücken Sie mehrmals die CD-/USB-/BT-Taste, bis im Display „BT“ angezeigt wird.

Suchen Sie auf Ihrem zu koppelnden Gerät nach „Lenco TCD-2551“ und wählen Sie es zum Koppeln aus. Wenn die Verbindung erfolgreich hergestellt wurde, ertönt ein Signalton und die Anzeige hört auf zu blinken.

AUX-EINGANG

Schließen Sie Ihr externes Gerät am AUX-EINGANG an der Vorderseite an und drücken Sie zweimal die KASSETTEN-/AUX-EINGANGS-Taste. Starten Sie die Wiedergabe auf dem angeschlossenen Gerät.

USB-BETRIEB



- Drücken Sie zweimal die CD-/USB-/BT-Taste, um den USB-Modus aufzurufen. Das Symbol „---“ und „USB“ werden angezeigt.
- Schließen Sie einen USB-Stick am USB-Anschluss an.
- Die Funktionen WIEDERGABE/PAUSE, ABWÄRTS/AUFWÄRTS und Stopp sind die gleichen wie bei der CD.

MP3-WIEDERGABE (CD/USB)

- Drücken Sie die WIEDERGABE/PAUSE-Taste, um die Wiedergabe des ausgewählten Titels zu starten oder anzuhalten.
- Während der Wiedergabe des Titels werden Titel- und Ordnernummer des gewählten Titels im Display angezeigt.
- Sie können die Wiedergabe jederzeit durch Drücken der STOPP-Taste beenden.

TITEL ÜBERSPRINGEN UND SCHNELLE TITELSUCHE IM CD-/USB-MODUS

Drücken Sie während der CD-/USB-Wiedergabe mehrmals AUFWÄRTS/SCHNELLER VORLAUF (⏮) oder ABWÄRTS/RÜCKLAUF (⏭) auf dem Gerät oder auf der Fernbedienung, um einen Titel zu

überspringen. Um innerhalb eines Titels schnell vorwärts oder rückwärts zu suchen, halten Sie AUFWÄRTS/SCHNELLER VORLAUF (⏮) oder ABWÄRTS/RÜCKLAUF (⏭) gedrückt. Zum Überspringen von 10 Titeln drücken Sie TITEL+10 auf der Fernbedienung.

USB-AUFNAHME

● Aufnahme von CD

Schließen Sie einen USB-Stick am USB-Anschluss an. Drücken Sie dann die CD-/USB-/BT-Taste. Legen Sie eine CD in das CD-Laufwerk ein und spielen Sie den Titel ab, der aufgenommen werden soll. Drücken Sie zweimal die AUFNAHME-Taste, um die Aufnahme zu starten. Wenn die gesamte CD abgespielt wird, werden alle Titel aufgenommen.

HINWEIS: Die Aufnahme wird durch Drücken der STOPP-Taste beendet.

● Aufnahme von MP3-DISC

Schließen Sie einen USB-Stick am USB-Anschluss an. Drücken Sie dann die CD-/USB-/BT-Taste. Legen Sie eine CD mit MP3-Dateien in das CD-Laufwerk ein und spielen Sie den MP3-Titel ab, der aufgenommen werden soll. Drücken Sie zweimal die AUFNAHME-Taste, um die Aufnahme zu starten. Wenn die alle MP3-Dateien abgespielt wird, werden alle Titel aufgenommen.

HINWEIS: Die Aufnahme wird durch Drücken der STOPP-Taste beendet.

● Aufnahme von Kassette

Schließen Sie einen USB-Stick am USB-Anschluss an. Drücken Sie dann die KASSETTEN-/AUX-EINGANGS-Taste. Legen Sie die Kassette in das Laufwerk ein. Spielen Sie die Kassette ab. Drücken Sie die AUFNAHME-Taste, um die Aufnahme zu starten. Die Aufnahme wird durch Drücken der STOPP-Taste beendet.

● Aufnahme von Schallplatte

Schließen Sie einen USB-Stick am USB-Anschluss an. Drücken Sie dann die PHONO-Taste. Spielen Sie die Schallplatte ab und drücken Sie die AUFNAHME-Taste, um die Aufnahme zu starten. Die Aufnahme wird durch Drücken der STOPP-Taste beendet.

● AUX IN-Aufnahme von externem Gerät

Schließen Sie einen USB-Stick am USB-Anschluss an. Schließen Sie das externe Audiogerät am AUX-EINGANG auf der Rückseite des Geräts an. Drücken Sie dann die KASSETTEN-/AUX-EINGANGS-Taste und dann die AUFNAHME-Taste, um die Aufnahme zu starten.

● Aufnahme eines MW/UKW-Senders

Schließen Sie einen USB-Stick am USB-Anschluss an. Drücken Sie dann die TUNER-Taste, um den MW-/UKW-Modus aufzurufen. Drücken Sie die AUFNAHME-Taste, um die Aufnahme zu starten. Die Aufnahme wird durch Drücken der STOPP-Taste beendet.

TITEL AUF DEM USB-STICK LÖSCHEN

Drücken Sie die CD-/USB-/BT-Taste auf dem Gerät. Wählen Sie den Titel und halten Sie für 2 Sekunden die LÖSCHTASTE gedrückt, um den Titel zu löschen.

Garantie

Commaxx B.V. bietet Leistungen und Garantien im Einklang mit Europäischem Recht. Setzen Sie sich deshalb im Falle von Reparaturen (sowohl während als auch nach Ablauf der Garantiezeit) mit Ihrem Fachhändler in Verbindung.

Wichtiger Hinweis: Es ist nicht möglich, Produkte für Reparaturen direkt an Commaxx B.V. zu schicken.

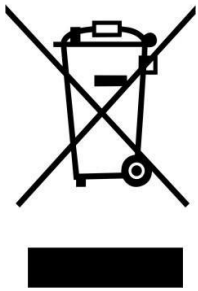
Wichtiger Hinweis: Wenn dieses Gerät aus welchem Grund auch immer durch ein nicht offizielles Servicezentrum geöffnet oder durch dieses Servicezentrum darauf zugegriffen wurde, erlischt die Garantie.

Dieses Gerät ist nicht für professionelle Zwecke geeignet. Falls das Gerät für professionelle Zwecke eingesetzt wird, erlöschen alle Garantieverpflichtungen seitens des Herstellers.

Haftungsausschluss

Aktualisierungen der Firmware und/oder Hardware-Komponenten werden regelmäßig durchgeführt. Aus diesem Grund können einige der Anweisungen, Spezifikationen und Abbildungen in dieser Dokumentation von dem Ihnen vorliegenden Gerät geringfügig abweichen. Alle in diesem Handbuch beschriebenen Elemente dienen nur zur Illustration und treffen auf Ihre individuelle Situation möglicherweise nicht zu. Aus der in diesem Handbuch getätigten Beschreibung können keine Rechtsansprüche oder Leistungsanforderungen geltend gemacht werden.

Entsorgung des Altgeräts



Dieses Symbol zeigt an, dass das entsprechende Produkt oder dessen Akku/Batterie in Europa nicht mit dem normalen Hausmüll entsorgt werden darf. Um die ordnungsgemäße Abfallbehandlung des Produkts und dessen Akku/Batterie zu gewährleisten, müssen diese im Einklang mit allen anwendbaren örtlichen Vorschriften zur Entsorgung von Elektrogeräten und Akkus/Batterien entsorgt werden. Dadurch helfen Sie, natürliche Ressourcen zu schonen und Umweltschutzstandards zur Verwertung und Entsorgung von Altgeräten aufrecht zu halten (Richtlinie über Entsorgung Elektrischer und Elektronischer Altgeräte).

KONFORMITÄTSERKLÄRUNG

Hiermit erklärt Commaxx, dass das Funkgerät vom Typ [Lenco TCD-2551] der Richtlinie 2014/53/EU entspricht. Den vollständigen Text der EU-Konformitätserklärung finden Sie unter der folgenden Internetadresse:

https://commaxx-certificates.com/doc/tcd-2551_doc.pdf

Typ HF	Frequenzbereich (MHz)	Leistung (dBm)
Bluetooth	2402-2480	<6
DAB	174 - 240	-
UKW	87,5 - 108	-

Service

Besuchen Sie bitte für weitere Informationen und unseren Kundendienst unsere Homepage www.lenco.com

Commaxx B.V. Wiebachstraat 37, 6466 NG Kerkrade, The Netherlands.

ATTENTION :

L'utilisation de commandes ou de réglages ou l'exécution de procédures autres que celles spécifiées dans ce manuel peut entraîner une exposition à des rayonnements dangereux.

PRÉCAUTIONS AVANT UTILISATION**GARDEZ CES INSTRUCTIONS À L'ESPRIT :**

1. Ne couvrez pas et n'obtenez pas les ouvertures de ventilation. Veuillez laisser un espace libre de 5 cm autour de l'appareil lorsque vous le posez sur une étagère.
2. L'installation doit être effectuée conformément au guide d'utilisation fourni.
3. Gardez l'appareil à l'écart des sources de chaleur telles que les radiateurs, les systèmes de chauffage, les cuisinières, les bougies et autres équipements générant de la chaleur ou une flamme nue. L'appareil ne doit être utilisé que dans un climat modéré. Les environnements extrêmement froids ou chauds doivent être évités. La température de fonctionnement doit se trouver entre 0 et 35 °C.
4. Évitez d'utiliser l'appareil à proximité de champs magnétiques puissants.
5. Des décharges électrostatiques peuvent perturber le fonctionnement normal de cet appareil. Dans ce cas, réinitialisez et redémarrez l'appareil en suivant le guide d'utilisation. Pendant le transfert de fichiers, manipulez l'appareil avec précaution dans un environnement privé d'électricité statique.
6. Avertissement ! N'introduisez jamais un objet dans l'appareil par les ouvertures et fentes de ventilation. Des tensions élevées sont présentes dans l'appareil, l'insertion d'un objet peut entraîner une électrocution ou court-circuiter certains composants. Pour les mêmes raisons, ne versez pas d'eau ou de liquide sur l'appareil.
7. N'utilisez pas l'appareil dans des endroits humides tels qu'une salle de bain, une cuisine pleine de vapeur ou à proximité d'une piscine.
8. L'appareil ne doit pas être exposé à des écoulements ou des éclaboussures et aucun objet contenant un liquide, tel qu'un vase, ne doit être posé sur ou près de l'appareil.
9. N'utilisez pas cet appareil lorsque de la condensation est possible. Lorsque l'appareil est utilisé dans une pièce chaude et humide, des gouttelettes d'eau ou de la condensation peuvent se former à l'intérieur de l'appareil et affecter son fonctionnement adéquat. Si tel est le cas, laissez l'appareil hors tension pendant 1 ou 2 heures avant de le mettre en marche : l'appareil doit être sec avant toute remise en marche.
10. Cet appareil est fabriqué avec le plus grand soin et vérifié plusieurs fois avant la sortie de l'usine, cependant il est toujours possible, comme pour tout appareil électrique, que des problèmes surviennent. Si vous remarquez de la fumée, une accumulation excessive de chaleur ou tout autre phénomène inattendu, débranchez immédiatement la fiche de la prise électrique secteur.
11. Cet appareil doit fonctionner avec la source d'alimentation indiquée sur la plaque signalétique. Si vous n'êtes pas sûr de votre type d'alimentation électrique, contactez le revendeur ou la compagnie d'électricité locale.
12. Gardez l'appareil à l'écart des animaux. Certains animaux aiment ronger les cordons d'alimentation.
13. Pour nettoyer l'appareil, utilisez un chiffon doux et sec. N'utilisez pas de solvant ni d'autre liquide à base de pétrole.
Pour enlever les taches tenaces, utilisez un chiffon humide imbibé d'une solution de détergent diluée.
14. Le fournisseur n'est pas responsable des dommages ou pertes de données causés par un dysfonctionnement, une utilisation abusive, une modification de l'appareil ou un remplacement de la batterie.
15. Ne coupez aucune connexion lorsque l'appareil effectue un formatage ou transfert de fichiers. Autrement, les données risquent d'être corrompues ou perdues.
16. Si l'appareil dispose d'une fonction de lecture USB, il faut brancher la clé USB directement sur l'appareil. N'utilisez pas de câble de rallonge USB, car cela peut provoquer des interférences susceptibles de causer la perte de données.
17. La plaque signalétique se situe en dessous ou à l'arrière de l'appareil.
18. Cet appareil n'est pas destiné à être utilisé par des personnes (enfants y compris) souffrant de handicaps physiques, sensoriels ou mentaux, ou manquant d'expérience et de connaissances, sauf si elles sont sous surveillance ou ont reçu des instructions sur l'utilisation correcte de l'appareil par la personne responsable de leur sécurité.

19. Cet appareil est réservé à un usage non professionnel, et non pas à un usage commercial ou industriel.
20. Vérifiez que l'appareil est en position stable. La garantie ne couvre pas les dégâts occasionnés par l'utilisation de cet appareil en position instable, soumis à des vibrations ou chocs, ou par le non-respect de tout autre avertissement ou précaution contenus dans ce guide d'utilisation.
21. N'ouvrez jamais cet appareil.
22. Ne placez jamais cet appareil sur un autre appareil électrique.
23. Ne laissez pas les sacs en plastique à la portée des enfants.
24. N'utilisez que des pièces/accessoires recommandés par le fabricant.
25. Confiez tout entretien à un personnel de service qualifié. Une réparation est nécessaire lorsque l'appareil a été endommagé de quelque façon que ce soit, par exemple lorsque le cordon d'alimentation ou sa fiche est endommagée, lorsqu'un liquide a été renversé ou des objets ont été introduits dans l'appareil, lorsqu'il a été exposé à la pluie ou à l'humidité, ne fonctionne pas correctement ou s'il est tombé.
26. Une exposition prolongée à la musique avec un volume élevé peut entraîner une perte auditive temporaire ou permanente.
27. Si l'appareil est livré avec un câble d'alimentation ou un adaptateur secteur :
 - En cas de problème, débranchez le cordon d'alimentation secteur et confiez l'entretien à un personnel qualifié.
 - Ne marchez pas sur l'adaptateur secteur et ne le pincez pas. Faites très attention, en particulier lorsque vous êtes à proximité des fiches et du point de sortie du câble. Ne placez aucun objet lourd sur l'adaptateur secteur, il pourrait l'endommager. Gardez l'appareil hors de portée des enfants ! Les enfants pourraient se blesser gravement s'ils jouent avec le cordon d'alimentation.
 - Débranchez cet appareil pendant les orages ou lorsqu'il n'est pas utilisé pendant une longue durée.
 - La prise secteur doit être installée près de l'appareil et être facilement accessible.
 - Ne surchargez pas les prises de courant ou les rallonges. Une surcharge peut entraîner un incendie ou une électrocution.
 - Un appareil de classe 1 doit être branché sur une prise secteur disposant d'une mise à la terre.
 - Les appareils de classe 2 ne nécessitent pas de mise à la terre.
 - Tirez toujours sur la fiche lorsque vous la retirez de la prise d'alimentation secteur. Ne tirez pas sur le cordon d'alimentation. Cela pourrait provoquer un court-circuit.
 - N'utilisez pas un cordon ou une fiche d'alimentation endommagé(e) ni une prise desserrée. Cela pourrait entraîner une électrocution ou un incendie.
28. Si l'appareil comprend ou est livré avec une télécommande contenant des piles boutons/piles :

Avertissement :

 - « N'avalez pas les piles ! Risque de brûlure chimique » ou équivalent.
 - [La télécommande fournie avec] cet appareil contient une pile bouton/pile. Si la pile bouton est avalée, elle peut causer des brûlures internes graves en seulement 2 heures et peut conduire à la mort.
 - Gardez les piles neuves et usées hors de la portée des enfants.
 - Si le compartiment à pile ne se ferme pas correctement, cessez d'utiliser l'appareil et gardez-le hors de portée des enfants.
 - Si vous pensez que les piles ont été avalées ou ingérées d'une manière ou d'une autre, consultez immédiatement un médecin.
29. Avertissements sur l'utilisation des piles :
 - Risque d'explosion si la pile n'est pas remplacée correctement. Ne les remplacez que par des piles du même type ou d'un type équivalent.
 - Les piles ne doivent pas être soumises à des températures extrêmement élevées ou basses, à une faible pression d'air à haute altitude pendant l'utilisation, le stockage ou le transport.
 - Tout remplacement de pile par un type incorrect peut entraîner une explosion ou une fuite de liquide ou de gaz inflammable.
 - L'élimination d'une pile dans le feu ou dans un four chaud, l'écrasement ou le découpage mécanique peut entraîner une explosion.
 - Laisser une pile dans un environnement à température extrêmement élevée peut entraîner une explosion ou une fuite de liquide ou de gaz inflammable.

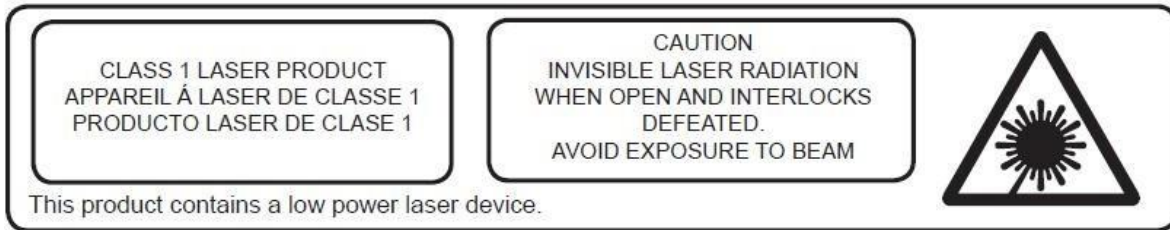
- Une pile soumise à une pression d'air extrêmement basse peut entraîner une explosion ou une fuite de liquide ou de gaz inflammable.
- Une attention particulière doit être portée sur les aspects environnementaux d'élimination des piles.

INSTALLATION

- Déballez tous les composants et enlevez les matériaux de protection.
- Ne branchez pas l'appareil sans avoir vérifié la tension secteur et sans avoir effectué toutes les autres connexions.

AVERTISSEMENT

Produit laser de classe 1



EN	FR
CLASS 1 LASER PRODUCT	PRODUIT LASER DE CLASSE 1
CAUTION	ATTENTION
INVISIBLE LASER RADIATION WHEN OPEN AND INTERLOCKS DEFEATED.	RAYONNEMENT LASER INVISIBLE EN CAS D'OUVERTURE ET DE DÉVERROUILLAGE.
AVOID EXPOSURE TO BEAM	ÉVITER D'ÊTRE EXPOSÉ AU FAISCEAU
This product contains a low power laser device.	Ce produit contient un dispositif laser à faible puissance.

Avertissement : Ne touchez pas la tête de lecture.

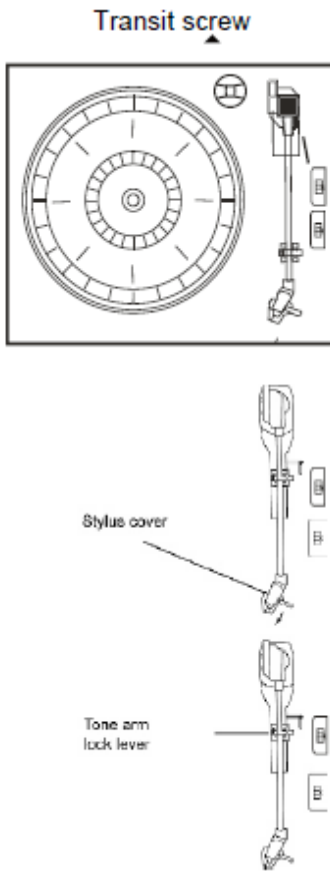
NETTOYAGE DU BOÎTIER

Si le boîtier en bois devient poussiéreux, essuyez-le avec un chiffon à poussière doux et non abrasif. N'utilisez pas d'eau ni de nettoyant en vaporisateur, au risque d'endommager le boîtier et les pièces métalliques ou en plastique de l'unité.

SPÉCIFICATIONS TECHNIQUES

- Vitesse du tourne-disque : 33/45/78 tr/min (taille du disque : 17,5/25/30 cm)
- Disques compatibles : CD/CD-R/CD-RW/MP3
- Mode USB : prise en charge du format MP3
- Casette : C60 et C90 (cassette C120 déconseillée)

PRÉPARATION POUR L'UTILISATION



- Retirez avec précaution l'appareil du carton et enlevez-en tous les matériaux d'emballage.
- Déroulez le cordon d'alimentation CA et déployez-le entièrement.
- Déroulez le câble de l'antenne FM et déployez-le entièrement.

Soulevez le couvercle du tourne-disque.

- Retirez la protection en plastique blanche opaque de la pointe de lecture du phonographe en la faisant glisser dans le sens de la flèche.
- Pendant l'opération, faites attention à la pointe de lecture, car les dommages à la pointe de lecture ne sont pas couverts par la garantie.
- Retirez le lien torsadé utilisé pour sécuriser le bras de lecture pendant l'expédition.
- Relâchez le levier de verrouillage du bras de lecture.
- Branchez le cordon d'alimentation CA sur la prise CA de 220 V/50 Hz.

EN	FR
Transit screw	Vis de transport
Style cover	Protection de la pointe de lecture
Tone arm lock lever	Levier de verrouillage du bras de lecture

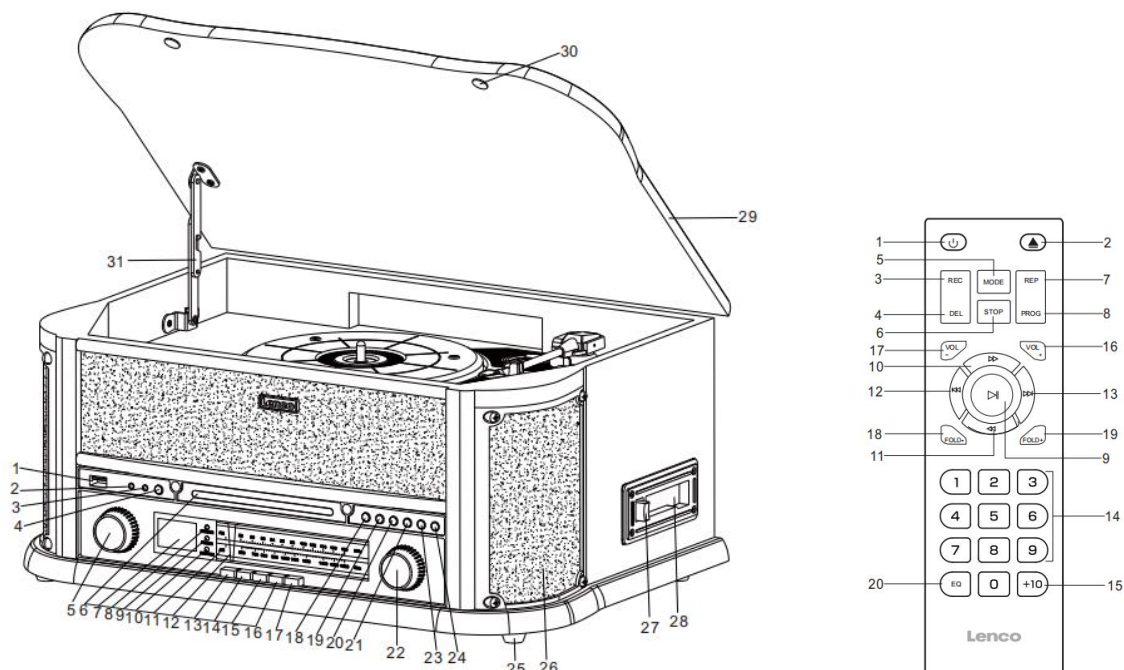
IMPORTANT ! SOULEVER ET ABAISSER LE COUVERCLE DU TOURNE-DISQUE

Pour ouvrir le couvercle. Soulevez-le le plus haut possible, puis tirez délicatement le support vers l'avant de l'appareil et abaissez doucement le couvercle.

Pour fermer le couvercle. Remontez le couvercle pour débloquer le support, puis abaissez doucement le couvercle.

ÉVITEZ DE FERMER DE FORCE LE COUVERCLE, AU RISQUE D'ENDOMMAGER CELUI-CI OU LE BOÎTIER. SOULEVEZ TOUJOURS LE COUVERCLE POUR LIBÉRER SON SUPPORT.

EMPLACEMENT DES COMMANDES ET DES INDICATEURS



Emplacement des commandes :

1. CONNECTEUR USB	17. BOUTON D'ÉGALISEUR
2. PRISE D'ENTRÉE AUXILIAIRE 3,5 MM	18. BOUTON LECTURE/PAUSE
3. PRISE CASQUE 3,5 MM	19. BOUTON ARRÊT
4. BOUTON ENREGISTRER/SUPPRIMER	20. BOUTON DN/F-R
5. BOUTON DE VOLUME/MISE EN VEILLE DE L'ALIMENTATION	21. BOUTON UP/F-F
6. COMPARTIMENT CD	22. CONTRÔLE DE LA SYNTONISATION
7. ÉCRAN LCD	23. ERP/PROGRAMME
8. CAPTEUR DE LA TÉLÉCOMMANDE	24. BOUTON OUVERTURE/FERMETURE DU COMPARTIMENT CD
9. TÉMOIN D'ALIMENTATION	25. APPUI-PIED EN PLASTIQUE
10. TÉMOIN FM STÉRÉO/ENREGISTREMENT	26. ENCEINTES
11. CADRAN DE SYNTONISATION AM/FM	27. BOUTON D'ÉJECTION/AVANCE RAPIDE DE CASSETTE
12. CURSEUR DE SYNTONISATION	28. FENTE DU LECTEUR DE CASSETTE
13. BOUTON DE SYNTONISATION (AM/FM)	29. COUVERCLE ANTI-POUSSIÈRE
14. BOUTON CD/USB/BLUETOOTH	30. COUSSIN DU COUVERCLE ANTI-POUSSIÈRE
15. BOUTON CASSETTE/ENTRÉE AUXILIAIRE	31. CHARNIÈRE
16. BOUTON PHONO	

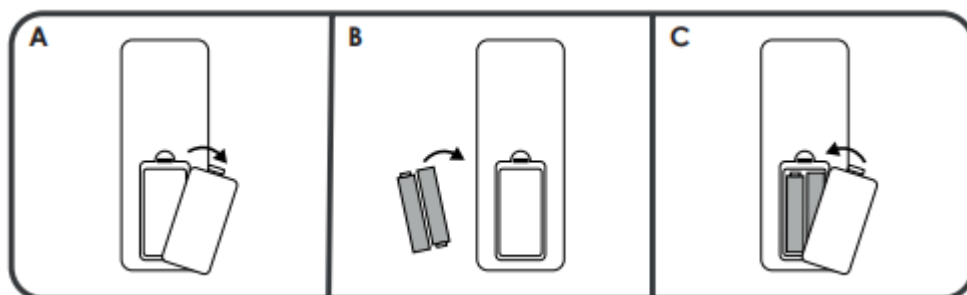
TÉLÉCOMMANDE

1. MARCHE/ARRÊT
2. OUVERTURE/FERMETURE DE LA PORTE DU COMPARTIMENT CD
3. ENREGISTREMENT : en mode CD/AM/FM/ENTRÉE AUXILIAIRE/BLUETOOTH/PHONO/CASSETTE, appuyez dessus pour activer la fonction d'enregistrement.
4. BOUTON SUPPRIMER
5. BOUTON DE MODE pour sélectionner la source CD/USB/BT/AM/FM/TAPE/PHONO/AUX IN.
6. BOUTON ARRÊT
7. BOUTON REPEAT pour sélectionner la lecture répétée (CD/USB).
8. PROGRAMME : en mode CD/USB, appuyez dessus pour activer la fonction de programmation.
9. LECTURE/PAUSE : en mode CD/USB, appuyez une fois pour démarrer la lecture, appuyez à nouveau pour passer en mode pause.
10. BOUTON D'AVANCE RAPIDE
11. BOUTON DE REcul
12. BOUTON DE SAUT-
13. BOUTON DE SAUT+
14. BLOC NUMÉRIQUE 0-9
15. Bouton de piste 10+ pour sélectionner des nombres à 2 chiffres.
16. BOUTON VOLUME +
17. BOUTON VOLUME -
18. DOSSIER-
19. DOSSIER+
20. BOUTON D'ÉGALISEUR : permet de choisir l'un des différents effets audio suivants : PLAT/POP/CLASSIQUE/ROCK/JAZZ.

Piles pour la télécommande

La télécommande infrarouge nécessite 2 piles AAA (non fournies)

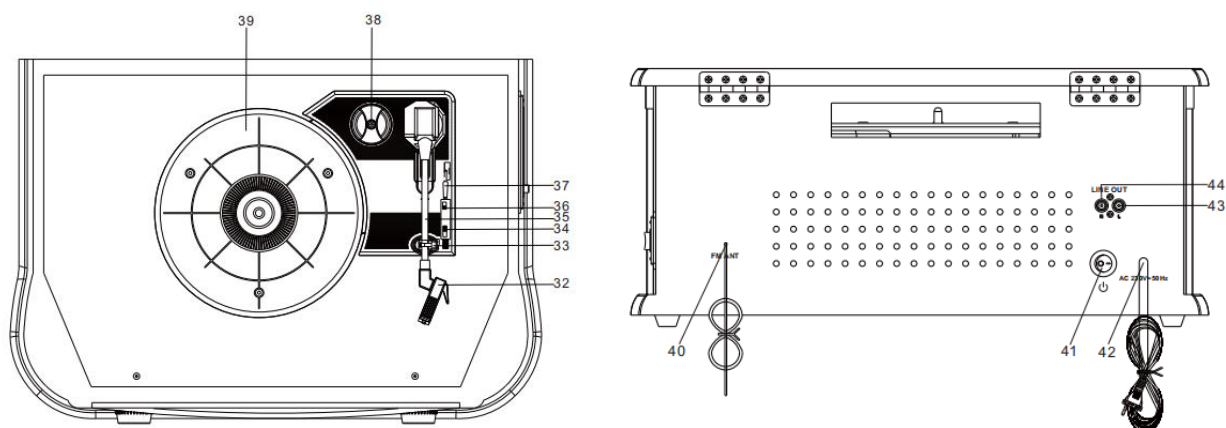
- A) Retirez le couvercle du compartiment à piles.
- B) Insérez 2 piles AAA selon les marques à l'intérieur du compartiment.
- C) Fermez le couvercle du compartiment.



Remarque 1 : tous les boutons de la télécommande ont les mêmes fonctions que ceux de l'appareil. La télécommande n'est utilisée que pour les modes CD/MP3 et USB.

Remarque 2 : appuyez pendant 2 secondes sur le bouton LECTURE/PAUSE pour choisir le mode CD ou USB.

Remarque 3 : appuyez à 2 reprises sur le bouton SUPPRIMER pour supprimer un fichier en mode USB.



- 32. CARTOUCHE
- 33. SUPPORT DU BRAS DE LECTURE
- 34. SÉLECTEUR DE VITESSE 33/45/78 TOURS
- 35. BRAS DE LECTURE
- 36. Arrêt automatique MARCHE/ARRÊT
- 37. LEVIER DU BRAS DE LECTURE
- 38. ADAPTATEUR
- 39. TOURNE-DISQUES
- 40. ANTENNE FM/DAB
- 41. COMMUTATEUR MARCHE/ARRÊT
- 42. CORDON D'ALIMENTATION CA
- 43/44. PRISES DE SORTIE DE LIGNE (R+L)

INFORMATIONS

L'antenne AM est intégrée au boîtier. En cas de mauvaise réception AM, essayez de déplacer soigneusement l'appareil jusqu'à ce que l'antenne interne capte le signal le plus fort.

Le câble FM est situé à l'arrière du boîtier. Si nécessaire, ajustez la position et la direction de l'antenne jusqu'à ce que vous obteniez la meilleure réception.

MARCHE/ARRÊT

- Appuyez sur le commutateur MARCHE/ARRÊT pour le mettre sur la position MARCHE. Appuyez sur le bouton d'ALIMENTATION pour mettre le système en marche. L'écran s'allume.

- Appuyez sur les boutons de sélection de fonctions AM/FM/CD/USB/CASSETTE/PHONO/ENTRÉE AUXILIAIRE pour sélectionner la fonction désirée.
- Réglez le volume à l'aide du bouton dédié.
- À la fin de l'écoute, appuyez de nouveau sur le bouton d'ALIMENTATION pour mettre le système en arrêt. L'écran s'éteint.

Remarque : l'appareil est conforme à la norme ERP2. Il passe en mode veille si aucune opération n'a lieu sur l'appareil au bout de 15 min. Veuillez appuyer une fois sur le bouton d'ALIMENTATION pour redémarrer l'appareil.

FONCTIONNEMENT DE LA RADIO

- Appuyez sur le bouton d'ALIMENTATION pour allumer l'appareil.
- Appuyez sur le bouton de SYNTONISATION pour activer le mode radio. Appuyez de nouveau sur le bouton de SYNTONISATION pour commuter entre le mode AM et FM.
- Tournez le bouton de SYNTONISATION pour rechercher la station radio désirée. Le témoin FM STÉRÉO/ENREGISTREMENT s'allume lorsque vous trouvez une station FM stéréo.

UTILISATION DU LECTEUR CD

- Appuyez sur le bouton d'ALIMENTATION pour allumer l'appareil.
- Appuyez sur le bouton CD/USB/BLUETOOTH pour activer le mode « CD ». L'icône « DISC » (DISQUE) s'allume à l'écran. L'appareil peut lire les disques CD, CD-R et CD-RW.



- Appuyez sur le bouton OUVERTURE/FERMETURE pour ouvrir le plateau CD.
- Placez le disque sur le plateau CD, l'étiquette vers le haut.

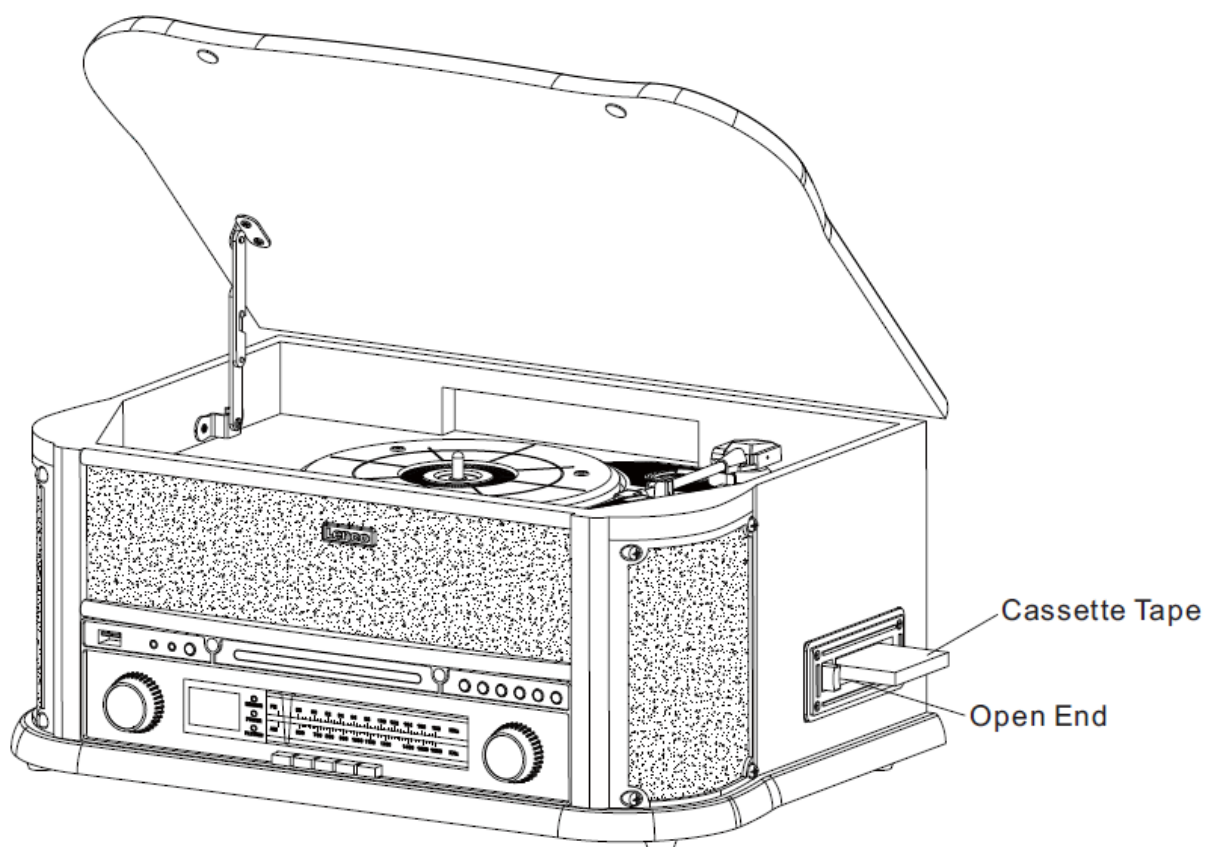
- Appuyez de nouveau sur le bouton OUVERTURE/FERMETURE pour fermer le plateau CD. La lecture démarre automatiquement à partir de la première piste.
- L'icône MP3 apparaît si le système détecte des fichiers MP3 dans le disque.



LECTURE DE CASSETTE

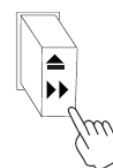
Remarque : avant d'insérer la cassette dans le lecteur, assurez-vous que la bande n'est pas détendue, au risque de bloquer le mécanisme.

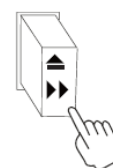
- Appuyez sur le bouton d'ALIMENTATION pour allumer l'appareil.
- Appuyez sur le bouton CASSETTE/AUXILIAIRE pour passer en mode CASSETTE.
- Insérez votre cassette dans la fente située sur le flanc droit du boîtier, comme illustré. La face à jouer doit être orientée vers le haut, et le côté ouvert vers la droite.



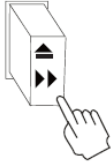
EN	FR
Cassette Tape	Cassette
Open End	Côté ouvert

- La lecture de la cassette démarre dès que vous l'insérez. Réglez le VOLUME au niveau souhaité.



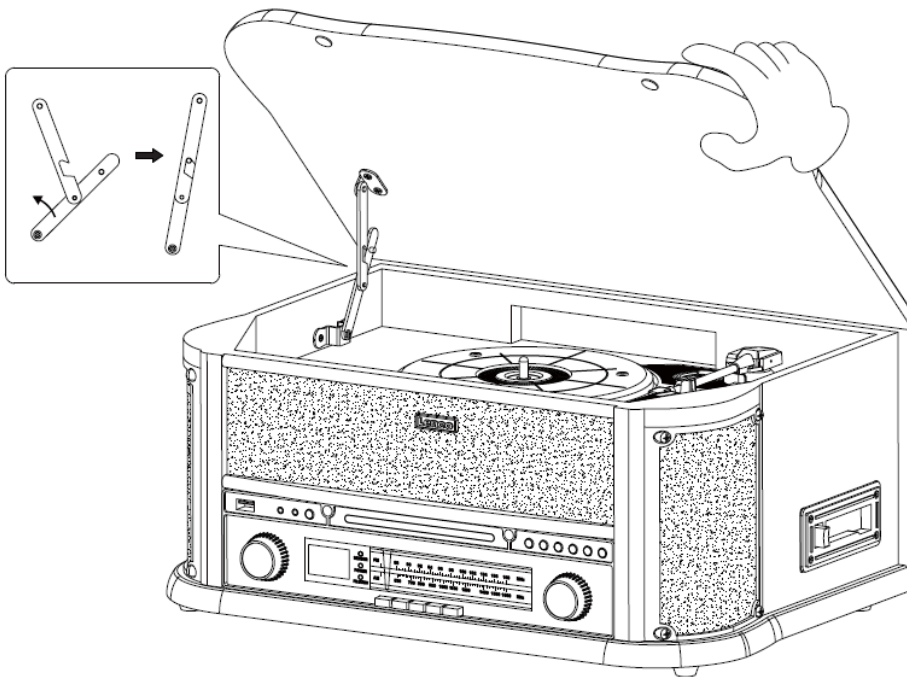
- Pour faire avancer rapidement la cassette, appuyez sur le bouton  à quasi-mi-hauteur. La cassette effectue une avance rapide tant que vous maintenez le bouton dans cette position. La lecture normale reprend lorsque vous relâchez le bouton.

- À la fin de la cassette, le lecteur s'arrête automatiquement. Appuyez sur le bouton



à fond pour éjecter la cassette. Vous pouvez appuyer sur le bouton à tout moment pour arrêter la lecture de la cassette.

- Appuyez de nouveau sur le bouton d'ALIMENTATION pour arrêter l'appareil.



Comment ouvrir/fermer le couvercle du tourne-disque

Pour ouvrir :

- Soulevez le couvercle du tourne-disque jusqu'à ce qu'il s'arrête.
- Tirez le support doucement vers l'avant de l'appareil, puis abaissez le couvercle.
- Le couvercle va maintenant rester ouvert.

Pour fermer :

- Soulevez le couvercle jusqu'à ce qu'il s'arrête.
- Le loquet doit se désengager. Abaissez lentement le couvercle. Si le loquet ne se désengage pas, poussez manuellement la barre inférieure.
- Assurez-vous de tenir soigneusement le couvercle pour éviter de vous pincer les doigts lorsqu'il se ferme.

LECTURE DE DISQUE VYNILE

Le système inclut une platine complète à trois vitesses et à entraînement par courroie. Vous pouvez lire les disques de 33, 45 et 78 tr/min.

- Appuyez sur le bouton d'**ALIMENTATION** pour allumer l'appareil.
- Appuyez sur le bouton **PHONO** pour accéder au mode **PHONO**.
- Veillez à retirer la protection de la pointe de lecture et à libérer le verrou du bras de lecture qui le solidarise à son appui.
- Réglez le sélecteur de vitesse du tourne-disque sur la vitesse appropriée : 33, 45 ou 78 tr/min. Si vous jouez des singles de 45 tr/min, placez l'adaptateur de 45 tr/min sur l'axe central.
- Placez votre disque sur l'axe central.
- Levez le **LEVIER DU BRAS DE LECTURE** pour le soulever de son appui. Posez le bras de lecture sur le bord du disque. Le tourne-disque commence à tourner automatiquement. Utilisez le **LEVIER DU BRAS DE LECTURE** pour abaisser doucement le bras de lecture jusqu'au disque.
- Réglez le **volume** au niveau souhaité.
- Lorsque le bras de lecture arrive à la fin du disque, le tourne-disque s'arrête automatiquement.
- Appuyez de nouveau sur le bouton d'**ALIMENTATION** pour arrêter l'appareil.

Installation de la tête de lecture

1. Maintenez le bout de la tête de lecture et insérez-la en pressant dans la direction « B » comme indiqué.
2. Poussez la tête de lecture vers le haut dans la direction « C » jusqu'à ce qu'elle se bloque dans la position de la pointe.



Tiges de guidage (internes)

REMARQUES

Nous vous conseillons de nettoyer vos disques avec un chiffon antistatique pour en profiter au mieux.

Nous tenons également à souligner que pour les mêmes raisons votre tête de lecture doit être changée périodiquement (environ toutes les 250 heures).

LECTURE VIA BLUETOOTH

Appuyez sur le bouton CD/USB/Bluetooth plusieurs fois jusqu'à ce que « BT » (Bluetooth) s'affiche à l'écran.

Recherchez « Lenco TCD-2551 » sur votre périphérique de transmission et sélectionnez-le pour le coupler à l'appareil. Une fois la connexion établie, un bip retentit et l'écran cesse de clignoter.

FONCTIONNEMENT DE L'ENTRÉE AUXILIAIRE

Connectez le système audio à la prise jack d'ENTRÉE AUXILIAIRE située sur la façade de l'appareil. Appuyez deux fois sur le bouton CASSETTE/ENTRÉE AUXILIAIRE. Démarrez la lecture à partir du périphérique ainsi connecté.

FONCTIONNEMENT EN MODE USB



- Appuyez sur le bouton CD/USB/Bluetooth pour accéder au mode USB. L'inscription « --- » et l'icône Bluetooth s'affichent à l'écran.
- Insérez un dispositif flash USB dans le connecteur USB.
- Les fonctions LECTURE/PAUSE, BAS/HAUT et Arrêt sont identiques aux fonctions CD.

LECTURE EN MODE MP3 (CD/USB)

- Appuyez sur le bouton LECTURE/PAUSE pour lire la piste sélectionnée ou la mettre en pause.
- Lors de la lecture d'une piste, son numéro et celui du dossier qui le contient s'affichent à l'écran.
- Vous pouvez arrêter la lecture à tout moment en appuyant sur le bouton ARRÊT.

SAUT DE PISTE ET RECHERCHE DE PISTE À HAUTE VITESSE EN MODE CD/USB

Pendant la lecture CD/USB, appuyez plusieurs fois sur le bouton HAUT/AVANCE RAPIDE (⏩) ou BAS/RECU RAPIDE (⏪) situé sur la façade de l'appareil ou sur la télécommande pour changer de piste. Pour effectuer une recherche rapide vers l'avant ou vers l'arrière dans une piste, appuyez longuement sur le bouton HAUT/AVANCE RAPIDE (⏩) ou BAS/RECU RAPIDE (⏪). Pour faire un saut de 10 pistes, appuyez sur le bouton PISTE+10 de la télécommande.

ENREGISTREMENT USB

● ENREGISTREMENT CD

Insérez un disque flash USB dans le connecteur USB. Appuyez ensuite sur le bouton CD/USB/Bluetooth. Placez le disque sur le plateau CD et démarrez la lecture de la piste à enregistrer. Appuyez deux fois sur le bouton d'ENREGISTREMENT pour démarrer l'enregistrement. À la fin de la lecture intégrale du CD, toutes les pistes sont enregistrées. REMARQUE : l'enregistrement prend fin lorsque vous appuyez sur le bouton d'ARRÊT.

● Enregistrement de disque MP3

Insérez un disque flash USB dans le connecteur USB. Appuyez ensuite sur le bouton CD/USB/Bluetooth. Placez le disque contenant des fichiers MP3 sur le plateau CD et démarrez la lecture de la piste MP3 à enregistrer. Appuyez deux fois sur le bouton d'ENREGISTREMENT pour démarrer l'enregistrement. À la fin de la lecture de tous les fichiers MP3, toutes les pistes sont enregistrées.

REMARQUE : l'enregistrement prend fin lorsque vous appuyez sur le bouton d'ARRÊT.

● Enregistrement de cassette

Insérez un disque flash USB dans le connecteur USB. Appuyez ensuite sur le bouton CASSETTE/ENTRÉE AUXILIAIRE. Insérez la cassette dans la fente dédiée. Démarrez la lecture de la cassette. Appuyez sur le bouton d'ENREGISTREMENT pour démarrer l'enregistrement. L'enregistrement prend fin lorsque vous appuyez sur le bouton d'ARRÊT.

● Enregistrement de disque vinyle

Insérez un disque flash USB dans le connecteur USB. Appuyez ensuite sur le bouton PHONO. Démarrez la lecture du disque vinyle, puis appuyez sur le bouton d'ENREGISTREMENT pour démarrer l'enregistrement. L'enregistrement prend fin lorsque vous appuyez sur le bouton d'ARRÊT.

● Enregistrement d'ENTRÉE AUXILIAIRE

Insérez un disque flash USB dans le connecteur USB. Branchez le dispositif audio portable sur la prise d'entrée auxiliaire située sur le panneau arrière de l'appareil. Appuyez ensuite sur le bouton CASSETTE/ENTRÉE AUXILIAIRE et démarrez la lecture audio, puis appuyez sur le bouton d'ENREGISTREMENT pour lancer l'enregistrement.

● Enregistrement de station radio AM/FM

Insérez un disque flash USB dans le connecteur USB. Appuyez ensuite sur le bouton de SYNTONISATION pour basculer en mode AM ou FM. Appuyez sur le bouton d'ENREGISTREMENT pour démarrer l'enregistrement. Appuyez sur le bouton d'ARRÊT pour interrompre l'enregistrement.

SUPPRESSION DE PISTES D'UN DISQUE USB

Appuyez sur le bouton CD/USB/Bluetooth situé sur la façade de l'appareil. Sélectionnez la piste désirée, puis appuyez pendant 2 secondes sur le bouton SUPPRIMER pour la supprimer.

Garantie

Commaxx B.V. propose un service et une garantie conformément à la législation européenne, ce qui signifie qu'en cas de besoin de réparation (aussi bien pendant et après la période de garantie), vous pouvez contacter le revendeur le plus proche.

Remarque importante : Il n'est pas possible de renvoyer l'appareil pour réparation directement à Commaxx B.V.

Remarque importante : Si l'appareil est ouvert ou modifié de quelque manière que ce soit par un réparateur non agréé, la garantie est annulée.

Cet appareil ne convient pas à une utilisation professionnelle. En cas d'utilisation professionnelle, les obligations de garantie du fabricant sont annulées.

Clause de non-responsabilité

Des mises à jour du micrologiciel ou des composants matériels sont régulièrement effectuées. Ainsi, certaines instructions, spécifications et images de la présente documentation peuvent être légèrement différentes. Tous les éléments décrits dans ce manuel sont donnés uniquement à des fins d'illustration et peuvent ne pas s'appliquer à une situation particulière. Aucun droit juridique ou légal ne peut être obtenu à partir de la description faite dans ce manuel.

Mise au rebut de l'appareil usagé



Ce symbole indique que le produit électrique concerné ainsi que les piles ne doivent pas être jetés avec les autres déchets ménagers en Europe. Pour assurer le traitement correct des déchets de l'appareil et des piles, il faut les éliminer conformément aux lois locales applicables sur l'élimination des équipements électriques et des piles. En faisant cela, vous contribuez à la conservation des ressources naturelles et à l'amélioration des normes de protection de l'environnement dans le traitement et l'élimination des déchets électriques (Directive sur les déchets d'équipements électriques et électroniques).

DÉCLARATION DE CONFORMITÉ

Par la présente, Commaxx déclare que le type d'équipement radio auquel appartient [Lenco TCD-2551] est conforme à la directive 2014/53/UE. Le texte intégral de la déclaration de conformité UE est disponible à l'adresse Internet suivante :

https://commaxx-certificates.com/doc/tcd-2551_doc.pdf

Type RF	Plage de fréquences (MHz)	Puissance (dBm)
Bluetooth	2 402 - 2 480	< 6
DAB	174-240	-
FM	87,5 à 108	-

Service

Pour plus d'informations et en cas de besoin d'assistance, rendez-vous sur www.lenco.com

Commaxx B.V. Wiebachstraat 37, 6466 NG Kerkrade, The Netherlands.

PRECAUCIÓN:

Un uso de los controles, unos ajustes o un rendimiento de los procedimientos distintos a los especificados aquí puede resultar en una exposición peligrosa a la radiación.

PRECAUCIONES PREVIAS AL USO**TENGA ESTAS INSTRUCCIONES EN CUENTA:**

1. No cubra ni obstruya las aberturas de ventilación. Si coloca el dispositivo sobre una estantería, deje una separación de 5 cm (2") alrededor de todo el dispositivo.
2. Instálelo en conformidad con el manual del usuario incluido.
3. Mantenga el dispositivo apartado de fuentes de calor como radiadores, calentadores, estufas, velas y otros productos que generen calor o llamas abiertas. El dispositivo solo puede utilizarse en climas moderados. Deben evitarse los entornos muy fríos o cálidos. La temperatura de funcionamiento es de entre 0 °C y 35 °C.
4. Evite utilizar el dispositivo cerca de campos magnéticos intensos.
5. Las descargas electrostáticas pueden perturbar el uso normal de este dispositivo. En tal caso, solo tiene que seguir el manual de instrucciones para restablecer y reiniciar el dispositivo. Durante la transmisión de archivos, por favor manéjelo con cuidado y opérelo en un entorno libre de electricidad estática.
6. ¡Advertencia! Nunca introduzca objetos en las aberturas o conductos de ventilación del producto. Alto voltaje fluye a través del producto e insertar un objeto puede provocar una descarga eléctrica o un cortocircuito en sus componentes internos. Por el mismo motivo, no derrame agua ni líquidos sobre el producto.
7. No lo utilice en áreas mojadas o húmedas, como cuartos de baño, cocinas con mucho vapor o cerca de piscinas.
8. No se debe exponer el dispositivo a goteos ni salpicaduras y debe asegurarse de que no haya objetos llenos de líquidos, como jarrones, encima ni cerca del aparato.
9. No utilice este dispositivo si puede haber condensación. Cuando se utilice la unidad en una sala cálida y húmeda, pueden aparecer gotas de agua o condensación dentro de la unidad y esta puede no funcionar correctamente; deje la unidad apagada durante 1 o 2 horas antes de encender la alimentación: la unidad debe estar seca antes de encenderla.
10. Aunque este dispositivo está fabricado con el máximo cuidado y se ha comprobado varias veces antes de salir de fábrica, todavía es posible que se puedan producir problemas, igual que con todos los aparatos eléctricos. Si detecta humo, una acumulación excesiva de calor o cualquier otro fenómeno inesperado, deberá desconectar inmediatamente el enchufe de la toma de corriente.
11. Este dispositivo debe estar conectado a una fuente de alimentación conforme a lo indicado en la etiqueta de especificaciones. Si no está seguro del tipo de fuente de alimentación de su hogar, consulte con su distribuidor o su empresa eléctrica local.
12. Manténgalo alejado de los animales. Algunos animales muerden los cables eléctricos.
13. Utilice un trapo suave y seco para limpiar el dispositivo. No utilice disolventes ni líquidos con base de gasolina.
Puede usar un paño húmedo con detergente diluido para eliminar las manchas persistentes.
14. El proveedor no asume ninguna responsabilidad por daños o datos perdidos como consecuencia de un funcionamiento incorrecto, uso incorrecto, modificación del dispositivo o sustitución de la batería.
15. No interrumpa la conexión mientras se formatea el dispositivo o esté transfiriendo archivos. De lo contrario, los datos podrían quedar dañados o perderse.
16. Si la unidad tiene una función de reproducción USB, se debe conectar directamente el dispositivo de memoria USB a la unidad. No utilice cables de extensión USB ya que pueden crear interferencias que causen una pérdida de datos.
17. La etiqueta de clasificación está marcada en el panel inferior o trasero del dispositivo.
18. Este aparato no está diseñado para su uso por personas (incluyendo niños) con discapacidades físicas, sensoriales o mentales o con falta de experiencia o conocimientos, salvo que estén bajo supervisión o hayan recibido formación sobre el uso correcto del dispositivo por parte de una persona responsable de su seguridad.
19. Este producto está destinado únicamente al uso no profesional y no al uso comercial ni industrial.

20. Compruebe que la unidad está ajustada en una posición estable. Los daños causados por las vibraciones o sacudidas derivadas del uso del producto en una posición inestable o el incumplimiento de otras advertencias o precauciones incluidas en este manual del usuario no estarán cubiertos por la garantía.
21. Nunca retire la carcasa del dispositivo.
22. Nunca coloque el dispositivo sobre otros equipos eléctricos.
23. No permita que los niños accedan a las bolsas de plástico.
24. Utilice solo los accesorios especificados por el fabricante.
25. Solicite todo el trabajo de mantenimiento a personal de servicio cualificado. El dispositivo deberá ser reparado cuando quede dañado de cualquier forma, por ejemplo, si el cable de alimentación o el enchufe están dañados, se ha derramado líquido o han caído objetos sobre él, ha quedado expuesto a la lluvia o a la humedad, no funciona con normalidad, o se ha caído al suelo.
26. La exposición prolongada a sonidos fuertes de reproductores personales de música puede provocar una pérdida temporal o permanente de audición.
27. Si el producto incluye un cable de alimentación o un adaptador de CA:
 - Si hubiera algún problema, desconecte el cable de CA y solicite su mantenimiento al personal cualificado.
 - No pise ni pellizque el adaptador de corriente. Tenga mucho cuidado, en especial cerca de los enchufes y el punto de salida del cable. No coloque objetos pesados sobre el adaptador de corriente, ya que podría dañarlo. ¡Mantenga todo el dispositivo fuera del alcance de los niños! Si juegan con el cable de alimentación, pueden sufrir lesiones graves.
 - Desenchufe el dispositivo durante tormentas eléctricas o si no se utiliza durante largos periodos.
 - La toma debe estar instalada cerca del equipo y ser fácilmente accesible.
 - No sobrecargue las tomas de CA ni los cables de extensión. Una sobrecarga podría provocar un incendio o una descarga eléctrica.
 - Los dispositivos con una construcción de clase 1 deben estar conectados a una toma eléctrica con conexión a tierra protectora.
 - Los dispositivos con una construcción de clase 2 no requieren una conexión a tierra.
 - Sujete siempre el enchufe cuando lo extraiga de la toma de corriente. No estire del cable eléctrico. Podría provocar un cortocircuito.
 - No utilice cables de alimentación o enchufes deteriorados o tomas sueltas. Podría provocar un incendio o descarga eléctrica.
28. Si el producto contiene o se entrega con un mando a distancia que contiene pilas de botón:

Advertencia:

 - «No ingiera la pila, existe riesgo de quemaduras químicas» o equivalente.
 - [Mando a distancia incluido] Este producto contiene una pila de botón. En caso de ingesta de la pila, puede provocar quemaduras internas graves en menos de 2 horas que pueden provocar la muerte.
 - Mantenga las pilas nuevas y usadas fuera del alcance de los niños.
 - Si el compartimento de las pilas no cierra bien, deje de usar el producto y manténgalo fuera del alcance de los niños.
 - Si cree que puede haber ingerido una pila, solicite inmediatamente atención médica.
29. Precauciones sobre el uso de las pilas:
 - Existe peligro de explosión si se sustituye la pila por una de tipo incorrecto. Sustitúyalas únicamente por pilas del mismo tipo o equivalentes.
 - No se puede someter las pilas a temperaturas muy altas o bajas, ni a presiones de aire bajas a altitudes altas durante el uso, almacenamiento o transporte.
 - La sustitución de una pila por una de tipo incorrecto puede resultar en una explosión o fuga del líquido o gas inflamable.
 - Arrojar una pila al fuego o a un horno caliente, o aplastarla o cortarla con medios mecánicos, puede resultar en una explosión.
 - Dejar una pila en un entorno con temperaturas muy altas puede resultar en una explosión o fuga del líquido o gas inflamable.
 - Someter una pila a presiones de aire muy bajas puede resultar en una explosión o la fuga del líquido o gas inflamable.

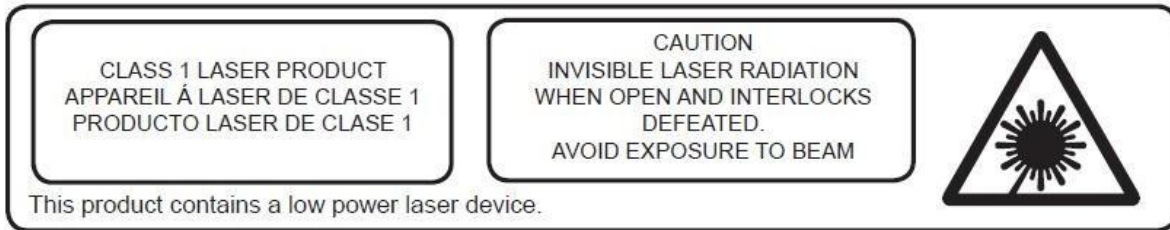
- Se debe prestar atención a los aspectos medioambientales sobre la eliminación de baterías.

INSTALACIÓN

- Desempaquete todas las piezas y retire el material protector.
- No conecte la unidad a la corriente sin comprobar la tensión eléctrica y que se han hecho todas las demás conexiones.

Advertencia

Producto láser de clase 1



EN	ES
CLASS 1 LASER PRODUCT	PRODUCTO LÁSER DE CLASE 1
CAUTION	PRECAUCIÓN
INVISIBLE LASER RADIATION WHEN OPEN AND INTERLOCKS DEFEATED.	RADIACIÓN LÁSER INVISIBLE CUANDO ESTÁ ABIERTO Y LOS ENCLAVAMIENTOS DESACTIVADOS.
AVOID EXPOSURE TO BEAM	EVITE LA EXPOSICIÓN AL RAYO
This product contains a low power laser device.	Este producto contiene un dispositivo láser de baja potencia.

Advertencia: No toque la lente.

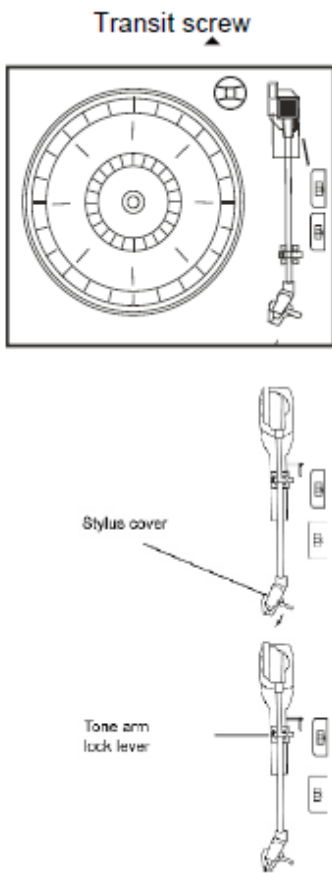
LIMPIEZA DE LA CARCASA

Si la carcasa de madera se llena de polvo, límpiela usando una gamuza para el polvo suave y que no sea abrasiva. No use agua ni aerosoles de limpieza ya que podrían dañar la carcasa y las piezas de plástico/metal de la unidad.

ESPECIFICACIONES TÉCNICAS

- Velocidad del tocadiscos: 33/45/78 RPM (tamaño del disco 17,5/25/30 cm)
- El reproductor de CD reproduce CD/CD-R/CD-RW/MP3
- El reproductor de USB reproduce MP3
- Reproductor de casetes: C60 y C90 (no se recomienda usar casetes C120)

PREPARACIÓN PARA EL USO



- Saque la unidad de la caja con cuidado y retire todo el material de embalaje de la unidad.
- Extienda el cable de alimentación en toda su longitud.
- Extienda el cable de la antena FM en toda su longitud.

Levante la tapa del tocadiscos.

- Retire el protector de plástico opaco de la aguja fonocaptora deslizándolo en la dirección que indica la flecha.
- Preste atención a la aguja durante esta operación ya que los daños en la aguja fonocaptora no los cubre la garantía.
- Retire el alambre de seguridad del brazo del tocadiscos que se utiliza durante el transporte.
- Suelte la palanca de bloqueo del brazo del tocadiscos.
- Conecte el enchufe del cable de alimentación en una toma de corriente de 220 VCA y 50 Hz.

EN	ES
Transit screw	Tornillo para tránsito
Style cover	Protector de la aguja
Tone arm lock lever	Palanca de bloqueo del brazo del tocadiscos

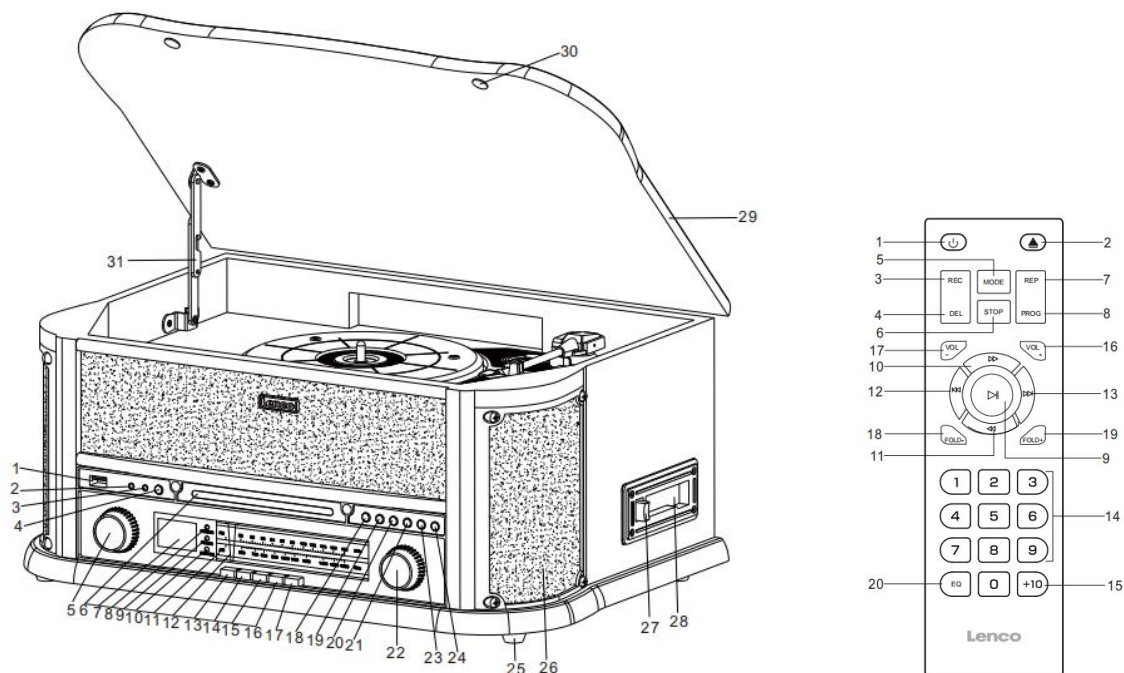
¡IMPORTANTE! SUBIR Y BAJAR LA TAPA DEL TOCADISCOS

Para abrir la tapa. Levántela todo lo que pueda, empuje el soporte angular (bisagra) hacia la parte delantera del dispositivo y baje lentamente la tapa.

Para cerrar la tapa. Levante la tapa para desbloquear el soporte angular y baje lentamente la tapa.

PARA EVITAR DAÑOS EN LA CARCASA O EN LA TAPA, NO FUERCE EL CIERRE DE LA TAPA. SIEMPRE HAY QUE LEVANTAR LA TAPA PARA LIBERAR EL SOPORTE ANGULAR DE LA TAPA.

UBICACIÓN DE LOS CONTROLES E INDICADORES



Ubicación de los controles:

1. TOMA USB	17. BOTÓN EQ (Ecuador)
2. ENTRADA AUXILIAR DE 3,5 MM	18. BOTÓN DE REPRODUCIR/PAUSA
3. ENTRADA DE AURICULARES DE 3,5 MM	19. BOTÓN STOP
4. BOTÓN GRABAR/ELIMINAR	20. BOTÓN DN/F-R
5. RUEDA DE VOLUMEN/ENCENDIDO/SUSPENSIÓN	21. BOTÓN UP/F-F
6. PUERTA DEL CD	22. CONTROL DE SINTONIZACIÓN
7. PANTALLA LCD	23. ERP/PROG
8. SENSOR DEL MANDO A DISTANCIA	24. BOTÓN DE APERTURA/CIERRE DE LA PUERTA DEL CD
9. INDICADOR DE ENCENDIDO	25. ALMOHADILLA DE PLÁSTICO PARA LAS PATAS
10. INDICADOR FM ST./REC	26. ALTAVOCES
11. DIAL DE LA ESCALA AM/FM	27. BOTÓN EXTRACCIÓN CASETE/AVANCE RÁPIDO
12. AGUJA DE SINTONÍA	28. ABERTURA DEL REPRODUCTO DE CASETES
13. BOTÓN DE LA RADIO (AM/FM)	29. TAPA ANTIPOLVO
14. BOTÓN CD/USB/BT	30. ALMOHADILLA DE LA TAPA ANTIPOLVO
15. BOTÓN CINTA/ENTRADA AUX	31. BISAGRA
16. BOTÓN FONOS	

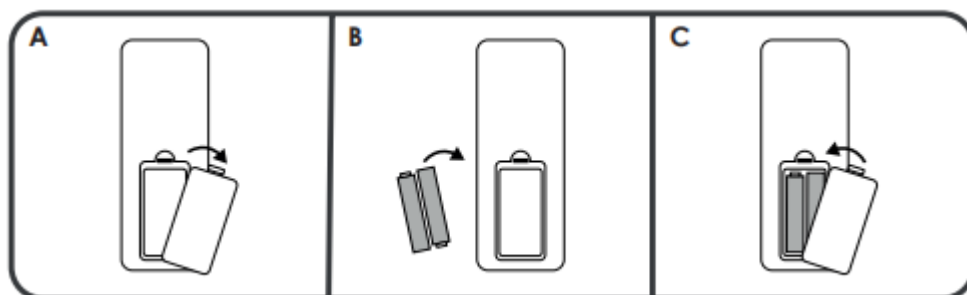
MANDO A DISTANCIA

1. ENCENDIDO Y APAGADO
2. APERTURA/CIERRE DE LA PUERTA DEL CD
3. REC: en los modos CD/AM/FM/AUX IN/BT/PHONO/CASSETTE, pulse este botón para activar la función de grabación.
4. BOTÓN DEL
5. BOTÓN MODE para seleccionar la fuente CD/USB/BT/AM/FM/TAPE/PHONO/AUX IN.
6. BOTÓN STOP
7. BOTÓN REP para seleccionar la repetición de la reproducción (CD/USB).
8. BOTÓN PROG: en los modos CD/USB, púselo para activar la función de programado.
9. BOTÓN DE REPRODUCIR/PAUSA: en los modos CD/USB, púselo una vez para iniciar la reproducción, vuelva a pulsarlo para pausarla.
10. BOTÓN DE AVANCE RÁPIDO
11. BOTÓN DE REBOBINADO
12. BOTÓN DE SALTAR ATRÁS
13. BOTÓN DE SALTAR ADELANTE
14. TECLADO NUMÉRICO 0-9
15. Botón de pista 10+ para seleccionar números de 2 dígitos.
16. BOTÓN DE VOLUMEN +
17. BOTÓN VOLUMEN -
18. CARPETA ANTERIOR
19. CARPETA SIGUIENTE
20. BOTÓN EQ: para elegir el efecto de ecualización entre FLAT (PLANO)/ POP/ CLASSIC/ ROCK/ JAZZ.

Pilas para el mando a distancia

El mando a distancia por infrarrojos necesita 2 pilas AAA (no incluidas)

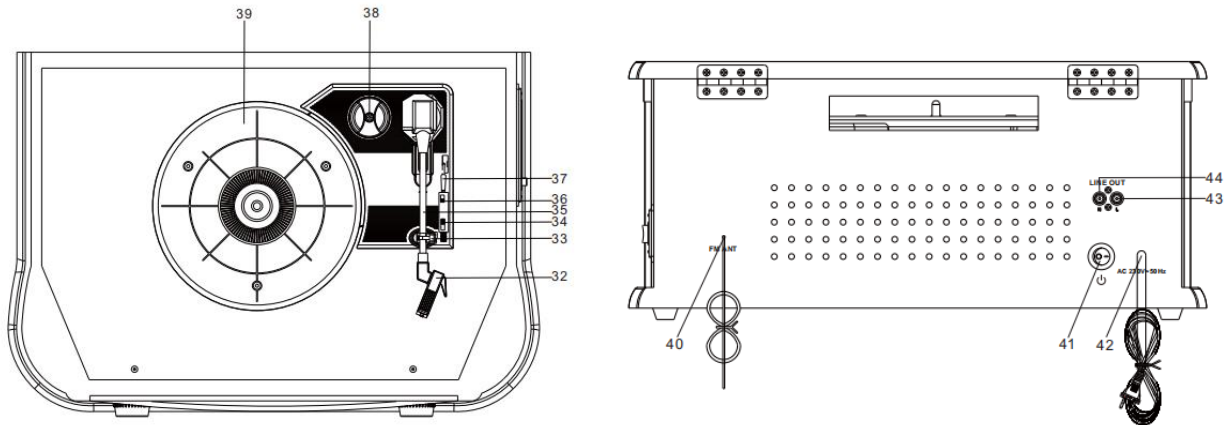
- A) Saque la tapa del compartimento de las pilas
- B) Coloque 2 pilas AAA siguiendo las marcas del interior del compartimento.
- C) Cierre el compartimento.



Nota 1: Todos los botones del mando a distancia tienen la misma función que los botones de la unidad. El mando a distancia solo se usa para los modos CD/MP3 y USB.

Nota 2: Pulsación larga de 2 segundos en el botón REPRODUCIR/PAUSA del mando a distancia para cambiar entre CD y USB.

Nota 3: 2 pulsaciones largas consecutivas en el botón ELIMINAR (DEL) en el mando a distancia para eliminar el archivo en el modo USB.



- 32. CARTUCHO
- 33. SOPORTE DE RECOGIDA
- 34. SELECTOR DE VELOCIDAD DE 33/45/78 RPM
- 35. BRAZO DE LECTURA
- 36. Parada automática ENCENDIDA/APAGADA
- 37. ELEVADOR DEL BRAZO DEL TOCADISCOS
- 38. ADAPTADOR
- 39. TOCADISCOS
- 40. ANTENA DE FM/DAB
- 41. INTERRUPTOR DE ENCENDIDO/APAGADO
- 42. CABLE DE ALIMENTACIÓN DE CA
- 43/44. TOMA DE LINE OUT (R+L)

INFORMACIÓN

La antena de AM se encuentra dentro de la carcasa. Si la recepción en AM no es satisfactoria intente reorientar/recolocar el aparato hasta que la antena interna reciba la señal con más intensidad.

El cable de FM está ubicado en la parte trasera de la carcasa. Si fuese necesario, ajuste la posición y la dirección de la antena hasta encontrar la posición que ofrezca la mejor recepción.

ENCENDIDO Y APAGADO

- Coloque el Interruptor de encendido/apagado a la posición de encendido. Pulse el botón de Encendido en el mando a distancia para encender el sistema y la pantalla se iluminará.
- Pulse los botones de selección de función (AM/FM/CD/USB/TAPE/PHONO/AUX IN) para seleccionar la función deseada.
- Empiece ajustando el volumen usando los botones de control de volumen.
- Cuando termine de escuchar, vuelva a pulsar el botón de Encendido para apagar el sistema. La pantalla se apaga.

Observaciones: La unidad cumple con eficiencia energética ERP2, y pasará a modo en espera si no hay ninguna operación en 15 minutos. Pulse una vez el botón de Encendido para reactivar la unidad.

FUNCIONAMIENTO DE LA RADIO

- Pulse el botón de Encendido para encender el sistema.
- Pulse TUNER para entrar en el modo Radio, y vuelva a pulsar TURNER para cambiar entre AM y FM.
- Gire el Control de SINTONIZACIÓN para sintonizar la emisora de radio que desee y el indicador FM ST/REC se iluminará cuando encuentre FM en estéreo.

FUNCIONAMIENTO DEL CD

- Pulse el botón de Encendido para encender el sistema.
- Pulse el botón CD/USB/BT para entrar en el modo CD, Los iconos «Cd» y «DISC» (DISCO) aparecerán en pantalla. La unidad puede reproducir discos CD, CD-R y CD-RW.



- Pulse el botón OP/CL para abrir el lector de CDs.
- Coloque su disco en la bandeja con la etiqueta hacia arriba.

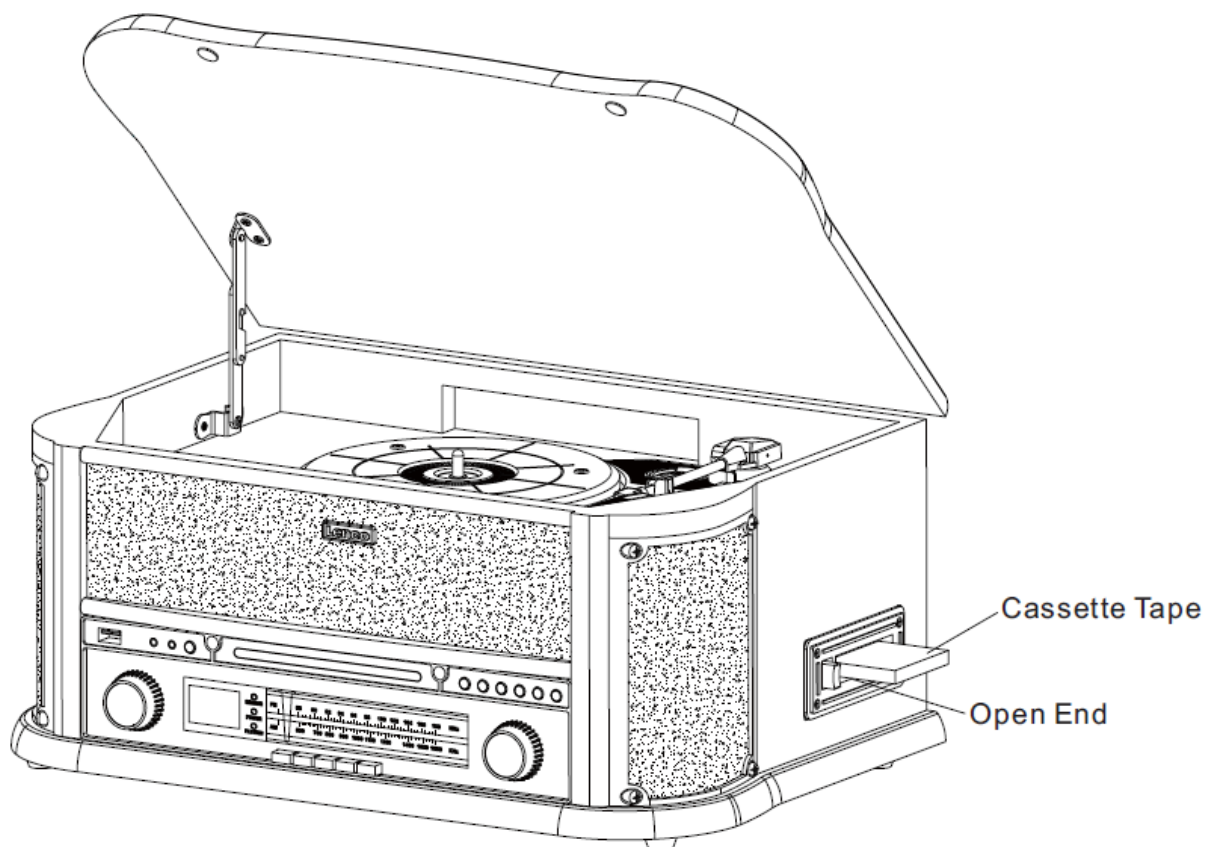
- Pulse el botón OP/CL de nuevo para cerrar el lector de CDs. La reproducción se iniciará automáticamente desde la primera pista.
- El icono MP3 aparecerá en la pantalla si se detecta un archivo MP3 en el disco.



REPRODUCIR CASETES

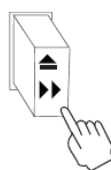
Nota: Antes de insertar una cinta en el reproductor, asegúrese de que la cinta de casete no tiene un huelgo excesivo que pudiera atascar el mecanismo.

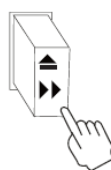
- Pulse el botón de Encendido para encender el sistema.
- Pulse el botón TAPE/AUX para entrar en el modo TAPE (CINTA).
- Inserte el casete en el lector de casetes situado en el lado derecho de la carcasa, como muestra la ilustración, con la cara que desee reproducir hacia arriba y el extremo abierto hacia el lado derecho.



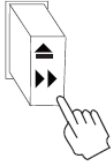
EN	ES
Cassette Tape	Cinta de casete
Open End	Extremo abierto

- La reproducción del casete se inicia tan pronto como se inserta la cinta. Ajuste el control de VOLUMEN hasta el nivel deseado.



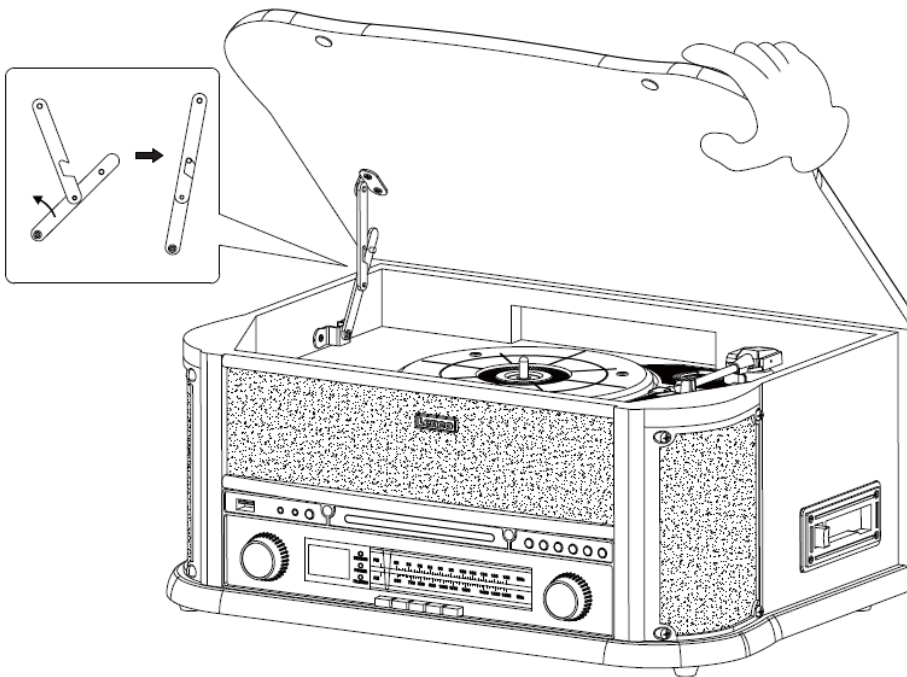
- Para avanzar rápido por la cinta, pulse el botón  hasta la mitad. La cinta avanzará rápidamente mientras tenga pulsado el botón a la mitad. Se reanudará la reproducción normal cuando suelte el botón.

- Cuando termine la cinta, la reproducción se detendrá automáticamente. Pulse el botón



hasta el fondo para sacar la cinta del reproductor. Puede pulsar el botón en cualquier momento para detener la reproducción.

- Pulse otra vez el botón de Encendido para apagar el sistema.



Cómo abrir/cerrar la tapa del tocadiscos

Para abrirla:

- Levante la tapa del tocadiscos hasta el tope.
- Tire del soporte angular (bisagra) lentamente hacia la parte delantera del dispositivo y, a continuación, baje la tapa.
- Así, la tapa se mantendrá abierta.

Para cerrarla:

- Levante la tapa hasta el tope.
- El pestillo debería desengancharse. Baje lentamente la tapa. Si no se desengaja el pestillo, saque la barra inferior con la mano.
- Asegúrese de que sostiene la tapa con cuidado para evitar pellizcarse los dedos cuando se cierre.

REPRODUCIR DISCOS DE VINILO

El sistema incluye un tocadiscos accionado por correa de 3 velocidades, de tamaño completo. En él puede reproducir discos de 33, 45 y 78 RPM.

- Pulse el botón de **Encendido** para encender el sistema.
- Pulse el botón **PHONO** para entrar en el modo **PHONO (Tocadiscos)**.
- Asegúrese de haber quitado el protector de la aguja fonocaptora y que ha liberado el brazo del tocadiscos del Bloqueo del brazo que lo fija al reposa brazo.
- Establezca la velocidad correcta del tocadiscos en el selector entre 33, 45 y 78 RPM. Si ha seleccionado la velocidad 45 RPM para discos pequeños, coloque el adaptador 45rpm en el eje de giro.
- Coloque el disco en el eje de giro del plato.
- Use el Elevador del brazo del tocadiscos para levantar el brazo del reposa brazo. Mueva el brazo del tocadiscos hasta el borde del disco. El tocadiscos empieza a girar automáticamente. Utilice el Elevador del brazo del tocadiscos para bajar el brazo suavemente sobre el disco.
- Ajuste el control de **volumen** hasta el nivel deseado.
- Cuando el brazo del tocadiscos alcance el final del disco, se detendrá automáticamente.
- Pulse otra vez el botón de Encendido para apagar el sistema.

Instalación de la aguja

1. Sujete la punta de la aguja e insértela presionando como se muestra en la dirección «B».
2. Empuje la aguja hacia arriba en la dirección «C» hasta que quede fijo en la posición de la punta.



Pasadores guía (interior)

NOTAS

Aconsejamos que limpie los discos con un paño antiestático para poder disfrutar al máximo de ellos.

Por la misma razón, conviene sustituir periódicamente la aguja (aproximadamente cada 250 horas de reproducción).

REPRODUCCIÓN POR BLUETOOTH

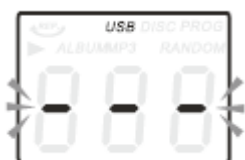
Pulse el botón CD/USB/BT varias veces, hasta que aparezca «BT» en la pantalla.

En el dispositivo de transmisión Bluetooth busque el dispositivo «Lenco TCD-2551» y selecciónelo para emparejar. Cuando la conexión sea correcta oírás un tono de aviso (bip) y la pantalla dejará de parpadear.

FUNCIONAMIENTO DE LA ENTRADA «AUX»

Conecte el sistema de audio externo en el conector AUX IN del panel frontal, y pulse el botón TAPE/AUX dos veces consecutivas. Se iniciará la reproducción del dispositivo conectado.

FUNCIONAMIENTO POR USB



- Pulse el botón CD/USB/BT dos veces para entrar en el modo USB. En la pantalla aparecerán los iconos «---» y USB.
- Inserte un dispositivo de memoria USB en el puerto USB de la unidad.
- Las funciones Reproducir/Pausa, Abajo/Arriba y Parar son las mismas que para la reproducción de CDs.

REPRODUCCIÓN EN MODO MP3 (CD/USB)

- Pulse el botón Reproducir/Pausa para iniciar o pausar la reproducción de la pista seleccionada.
- Mientras se reproduce la canción, los números de la pista seleccionada y de su carpeta aparecerán en la pantalla.
- Puede detener la reproducción en cualquier momento pulsando el botón STOP (PARAR).

SALTAR UNA PISTA Y BÚSQUEDA RÁPIDA DE UNA PISTA EN EL MODO CD/USB

Durante la reproducción de CD/USB, utilice los botones Arriba/Avance rápido (⏏) o

Abajo/Rebobinado (⏮) en la unidad principal o en el mando a distancia, para cambiar la pista.

Para buscar rápidamente dentro de una canción, mantenga pulsados los botones Arriba/Avance rápido (⏏) o Abajo/Rebobinado (⏮). Para saltar las pistas de 10 en 10, pulse el botón TRACK+10 en el mando a distancia.

GRABACIÓN POR USB

- **Grabación de CDs**

Inserte un dispositivo de memoria USB en el puerto USB de la unidad. A continuación, pulse el botón CD/USB/BT. Coloque un CD en la bandeja y reproduzca la pista que desee grabar. Pulse el botón REC (GRABACIÓN) dos veces consecutivas para empezar a grabar. Si se reproduce el CD completo, se grabarán todas sus pistas.

NOTA: La grabación se detendrá cuando se pulse el botón STOP (PARAR).

- **Grabación de discos MP3**

Inserte un dispositivo de memoria USB en el puerto USB de la unidad. A continuación, pulse el botón CD/USB/BT. Coloque un CD con pistas en MP3 en la bandeja y reproduzca la pista MP3 que desee grabar. Pulse el botón REC (GRABACIÓN) dos veces consecutivas para empezar a grabar. Si se reproduce el CD en MP3 completo, se grabarán todas sus pistas.

NOTA: La grabación se detendrá cuando se pulse el botón STOP (PARAR).

- **Grabación de una cinta de casete**

Inserte un dispositivo de memoria USB en el puerto USB de la unidad. A continuación, pulse el botón TAPE/AUX (CINTA/AUX). Introduzca una cinta de casete en el lector. Reproduzca el casete. Pulse el botón REC (GRABACIÓN) para empezar a grabar. La grabación se detendrá cuando se pulse el botón STOP (PARAR).

- **Grabación de un disco de vinilo**

Inserte un dispositivo de memoria USB en el puerto USB de la unidad. A continuación pulse el botón PHONO (Tocadiscos). Reproduzca el disco de vinilo y pulse el botón REC (GRABACIÓN) para empezar a grabar. La grabación se detendrá cuando se pulse el botón STOP (PARAR).

- **Grabación de la fuente conectada en la entrada AUX**

Inserte un dispositivo de memoria USB en el puerto USB de la unidad. Conecte el dispositivo de audio externo en la entrada AUX IN del panel trasero. A continuación, pulse el botón TAPE/AUX, reproduzca el audio y pulse el botón REC (GRABACIÓN) para empezar a grabar.

- **Grabación de la radio AM/FM**

Inserte un dispositivo de memoria USB en el puerto USB de la unidad. A continuación, pulse el botón TUNER (Radio) para cambiar al modo radio AM/FM. Pulse el botón REC (GRABACIÓN) para empezar a grabar. Pulse el botón STOP (PARAR) para detener la grabación.

ELIMINAR PISTAS DEL DISCO USB

Pulse el botón CD/USB/BT del panel frontal. Seleccione la pista y pulse DEL (ELIMINAR) durante 2 segundos para eliminar la pista seleccionada.

Garantía

Commaxx B.V. ofrece servicio y garantía en conformidad con las leyes europeas, por lo que en caso de requerir una reparación (tanto durante como después del periodo de garantía) debe ponerse en contacto con su distribuidor local.

Nota importante: No es posible enviar directamente a Commaxx B.V. los productos que necesiten reparación.

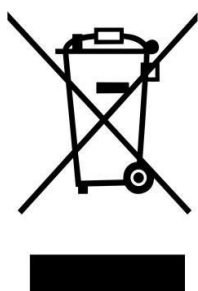
Nota importante: Si se abre la unidad o se accede a su interior en modo alguno en un centro de mantenimiento no oficial, la garantía quedará anulada.

El dispositivo no es adecuado para un uso profesional. En caso de realizar un uso profesional, todas las obligaciones de garantía del fabricante quedarán anuladas.

Aviso legal

Se realizan actualizaciones del firmware y/o componentes de hardware de manera periódica. Por tanto, algunas instrucciones, especificaciones e imágenes de estos documentos podrían diferir ligeramente de su modelo concreto. Todos los elementos descritos en esta guía son únicamente para fines ilustrativos y pueden no corresponderse a su modelo concreto. Las descripciones de este manual no otorgarán ningún derecho legal.

Eliminación de un dispositivo usado



Este símbolo indica que el producto eléctrico o batería pertinente no debe eliminarse con los residuos domésticos generales en Europa. Para garantizar un tratamiento correcto de los residuos del producto y las pilas, elimínelos en conformidad con las leyes locales vigentes para la eliminación de equipos eléctricos y pilas. Al hacerlo, ayudará a preservar los recursos naturales y mejorar los niveles de protección del medio ambiente en el tratamiento y eliminación de residuos eléctricos (Directiva sobre residuos de aparatos eléctricos y electrónicos).

DECLARACIÓN DE CONFORMIDAD

Por el presente, Commaxx declara que el equipo de radio tipo [Lenco TCD-2551] cumple con la directiva 2014/53/UE. El texto completo de la declaración UE de conformidad está disponible en la siguiente dirección de Internet:

https://commaxx-certificates.com/doc/tcd-2551_doc.pdf

Tipo de radiofrecuencia	Rango de frecuencia (MHz)	Potencia (dBm)
Bluetooth	2402-2480	<6
DAB	174-240	-
FM	87,5-108	-

Servicio

Para más información y atención al cliente, visite www.lenco.com

Commaxx B.V. Wiebachstraat 37, 6466 NG Kerkrade, The Netherlands.

FORSIGTIG:

Hvis enheden ikke anvendes, justeres og behandles i overensstemmelse med brugervejledningen, kan det resultere i farlig stråling.

FORHOLDSREGLER FØR IBRUGTAGNING**HUSK DISSE ANVISNINGER:**

1. Tildæk eller blokér ikke ventilationsåbningerne. Hvis enheden placeres på en hylde, skal der altid være 5 cm (2") frirum på alle sider af enheden.
2. Installér enheden iht. anvisningerne i den medfølgende brugervejledning.
3. Hold enheden på afstand af varmekilder som fx radiatorer, varmeapparater, ovne, stearinlys og andre varmegenererende produkter samt åben ild. Enheden er udelukkende til brug i tempererede klimazoner. Undgå stærk varme og kulde. Driftstemperatur mellem 0° og 35°C.
4. Undlad at anvende enheden nær stærke magnetfelter.
5. Elektrostatisk udladning kan forstyrre denne enheds normale drift. Sker det, skal du blot nulstille og genstarte enheden i henhold til anvisningerne i brugervejledningen. Under filoverførsel skal du handle med omhu og betjene enheden i et område fri for statisk elektricitet.
6. Advarsel! Stik aldrig genstande ind i enheden gennem ventilationsåbninger eller sprækker. Produktet indeholder strømførende dele, og hvis du stikker en genstand ind i enheden, kan det medføre elektrisk stød og/eller kortslutning af de indre dele. Af samme grund må du ikke spilde vand eller væske på produktet.
7. Benyt ikke enheden på våde eller fugtige steder som fx på et badeværelse, i et dampfyldt køkken eller nær en swimmingpool.
8. Enheden må ikke udsættes for dryp eller stænk. Der må ikke anbringes genstande fyldt med væske, som fx vaser, på eller i nærheden af apparatet.
9. Brug ikke enheden på steder, hvor der kan opstå kondens. Hvis enheden placeres i et varmt og fugtigt rum, kan der danne sig vanddråber eller kondens inde i den, og den kan muligvis ikke fungere korrekt. Lad enheden stå slukket i 1 - 2 timer, inden du tænder den. Enheden skal være tør, når der tændes for strømmen.
10. Trods det, at enheden er fremstillet med yderste omhu og kontrolleret flere gange før afsendelse fra fabrikken, kan det stadig forekomme, som med alle elektriske apparater, at der opstår problemer. Hvis du oplever røg eller overdreven varmeudvikling eller andre uventede fænomener, bør du omgående tage stikket ud af stikkontakten.
11. Denne enhed skal drives af en strømkilde som den, der er angivet på mærkepladen. Hvis du ikke er sikker på, hvilken forsyningsspænding, der anvendes i dit hjem, bør du søge vejledning hos din forhandler eller det lokale elselskab.
12. Hold enheden udenfor dyrs rækkevidde. Nogle kæledyr kan finde på at bide i strømkabler.
13. Rengør enheden med en blød, tør klud. Brug ikke opløsningsmidler eller benzinbaserede væsker. Hårnakkede pletter kan fjernes med en let fugtet klud med en mild sæbeopløsning.
14. Producenten er ikke ansvarlig for skade eller mistede data, der skyldes fejlfunktion, misbrug, ændringer af enheden eller udskiftning af batterier.
15. Undlad at afbryde forbindelsen, mens enheden formateres, eller der overføres filer. I modsat fald kan data blive beskadiget eller gå tabt.
16. Hvis enheden er udstyret med funktion til USB-afspilning, skal USB-sticken sættes direkte i apparatet. Brug ikke et USB-forlænger-kabel, da et sådant kan skabe interferens og føre til tab af data.
17. Mærkepladen findes i bunden eller på bagsiden af enheden.
18. Denne enhed må ikke bruges af personer (inkl. børn) med nedsatte fysiske motoriske eller mentale evner eller manglende erfaring, medmindre de er blevet instrueret i brugen af en person, der er ansvarlig for deres sikkerhed, og er under dennes opsyn.
19. Produktet er udelukkende beregnet til ikke-professionel brug, ikke til kommerciel eller industriel anvendelse.
20. Sørg for, at enheden er placeret stabilt. Skade, der skyldes anvendelse af produktet i en ustabil position, vibrationer, stød eller manglende overholdelse af de retningslinjer og andre advarsler, der er udstukket i denne brugervejledning, dækkes ikke af garantien.
21. Åbn aldrig enhedens kabinet.

22. Placér aldrig denne enhed ovenpå andet elektrisk udstyr.
23. Lad ikke børn få adgang til plastposer.
24. Brug kun tilslutninger/tilbehør, der er angivet af producenten.
25. Overlad alt servicearbejde til et kvalificeret serviceværksted. Service er påkrævet, hvis enheden på nogen måde er blevet beskadiget, hvis fx strømkablet eller stikket er beskadiget, hvis der er spildt væske på enheden, eller hvis en genstand er faldet ned i den, hvis enheden har været udsat for regn eller fugt, ikke fungerer korrekt eller er blevet tabt.
26. Langvarig lytning til musik ved høj lydstyrke kan medføre midlertidigt eller permanent høretab.
27. Hvis produktet leveres med strømkabel eller strømforsyning til vekselstrøm:
 - Hvis der opstår problemer, skal du tage stikket ud af kontakten og overlade al service til kvalificeret tekniker.
 - Undlad at træde på eller klemme strømforsyningen. Vær forsigtig, især nær de steder, hvor stik og kabler er fastgjort. Undlad at placere tunge genstande på strømforsyningen, da dette vil kunne beskadige den. Hold hele enheden udenfor børns rækkevidde! Hvis børn leger med strømkabler, kan de komme slemt til skade.
 - Tag stikket ud af stikkontakten i tordenvejr, samt hvis du ikke skal bruge enheden i længere tid.
 - Enheden skal placeres nær stikkontakten, og der skal altid være let adgang til den stikkontakt, enheden er tilsluttet.
 - Undlad at overbelaste stikkontakter eller forlængerledninger. Overbelastning kan medføre brand eller elektrisk stød.
 - Enheder med klasse 1-opbygning bør forbindes til en stikkontakt med jord.
 - Enheder med klasse 2-opbygning kræver ikke jordforbindelse.
 - Hold altid i stikket, når du tager det ud af stikkontakten. Træk ikke i ledningen. Dette kan medføre kortslutning.
 - Brug ikke en beskadiget ledning eller stik eller en løs stikkontakt. Gør du det, kan det medføre brand eller elektrisk stød.
28. Hvis produktet indeholder eller leveres med en fjernbetjening indeholdende knapcellebatterier:

Advarsel:

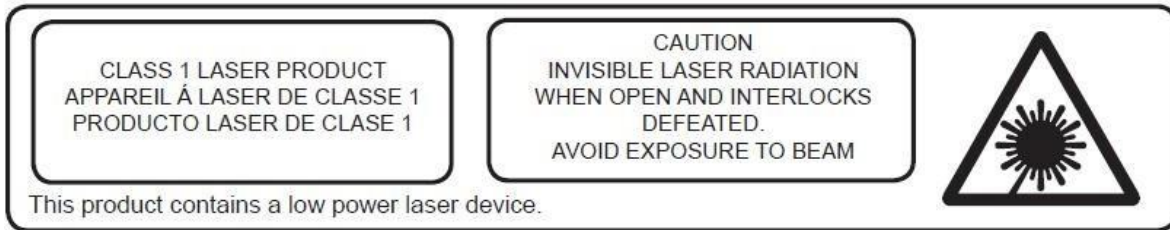
 - "Slug ikke batteriet, der er risiko for kemisk forbrænding" eller tilsvarende.
 - [Fjernbetjeningen leveret med] dette produkt indeholder et knapcellebatteri. Hvis batteriet sluges, kan det medføre alvorlige indre forbrændinger på blot 2 timer, hvilket kan medføre dødsfald.
 - Hold nye og brugte batterier udenfor børns rækkevidde.
 - Hvis batterirummet ikke kan lukkes sikkert, skal du holde op med at bruge produktet og holde det udenfor børns rækkevidde.
 - Hvis du tror, et batteri kan være blevet slugt eller placeret inden i nogen del af kroppen, skal du omgående søge lægehjælp.
29. OBS ved brug af batterier:
 - Eksplosionsfare, hvis batteriet udskiftes med et andet af forkert type. Udskift udelukkende med samme eller tilsvarende type.
 - Batteriet må ikke udsættes for ekstremt høje eller lave temperaturer eller lavt lufttryk ved stor højde under brug, opbevaring eller transport.
 - Udskiftning af et batteri med et andet af forkert type kan medføre eksplosion eller lækage af brændbar væske eller gas.
 - Bortskaffelse af batterier ved afbrænding eller i en varm ovn eller ved mekanisk knusning eller opskæring af et batteri kan medføre en eksplosion.
 - Hvis et batteri efterlades i omgivelser med ekstremt høje temperaturer, kan det medføre eksplosion eller lækage af brændbar væske eller gas.
 - Hvis et batteri udsættes for ekstremt lavt lufttryk, kan det medføre eksplosion eller lækage af brændbar væske eller gas.
 - Tænk på miljøet ved bortskaffelse af brugte batterier.

INSTALLATION

- Udpak alle dele, og fjern beskyttelsesmaterialerne.
- Slut ikke enheden til lysnettet, før du har kontrolleret forsyningspændingen og foretaget alle nødvendige tilslutninger.

ADVARSEL

Laserprodukt i klasse 1



EN	DK/NO
CLASS 1 LASER PRODUCT	LASERPRODUKT I KLASSE 1
CAUTION	FORSIGTIG
INVISIBLE LASER RADIATION WHEN OPEN AND INTERLOCKS DEFEATED.	USYNLIG LASERSTRÅLING HVIS ENHEDEN ÅBNES, OG SIKKERHEDSLÅSE BRYDES OP.
AVOID EXPOSURE TO BEAM	UNDGÅ EKSPONERING FOR STRÅLE
This product contains a low power laser device.	Produktet indeholder en laserenhed med lav effekt.

Advarsel: Rør ikke linsen.

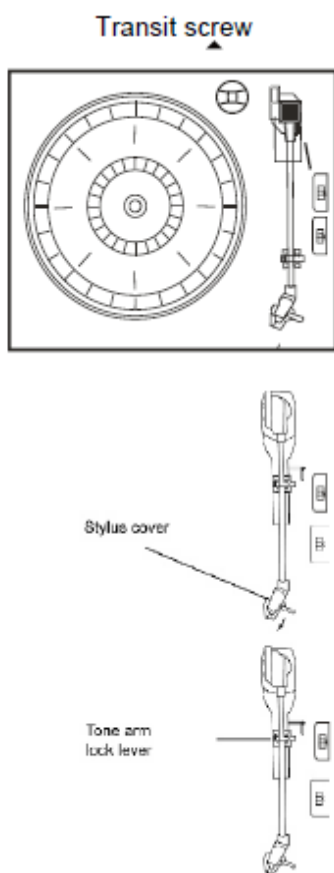
RENGØRING AF KABINETTET

Hvis trækabinettet bliver støvet, skal du tørre det af med en blød, ikke-slibende støveklud. Brug ikke vand eller rengøringsmidler i sprayform, da dette kan beskadige kabinettet og enhedens plast-/metaldele.

TEKNISKE SPECIFIKATIONER

- Omdrejningshastighed: 33/45/78 o/min. (pladestørrelse 17,5/25/30 cm)
- CD-afspilleren kan afspille CD/CD-R/CD-RW/MP3
- USB kan afspille MP3
- Kassettebånd: C60 & C90 (brug af C120-kassettebånd anbefales ikke)

KLARGØRING



- Løft forsigtigt enheden ud af kassen, og fjern alle indpakningsmaterialer fra den.
- Rul netledningen ud, og stræk den ud til fuld længde.
- Rul FM-trådontennen ud, og stræk den ud til fuld længde.

Løft låget over pladespilleren.

- Fjern den halvgennemsigtige nålehætte ved at skubbe den i pilens retning.
- Pas på ikke at beskadige nålen under håndteringen, da skader på nålen ikke er dækket af garantien.
- Fjern den twist-strimmel, der holdt tonearmen fast under transporten.
- Åbn tonearmslåsen.
- Sæt stikket i en stikkontakt med 220 V, 50 Hz vekselstrøm.

EN	DK/NO
Transit screw	Transportskrue
Style cover	Nålehætte
Tone arm lock lever	Tonearmslås

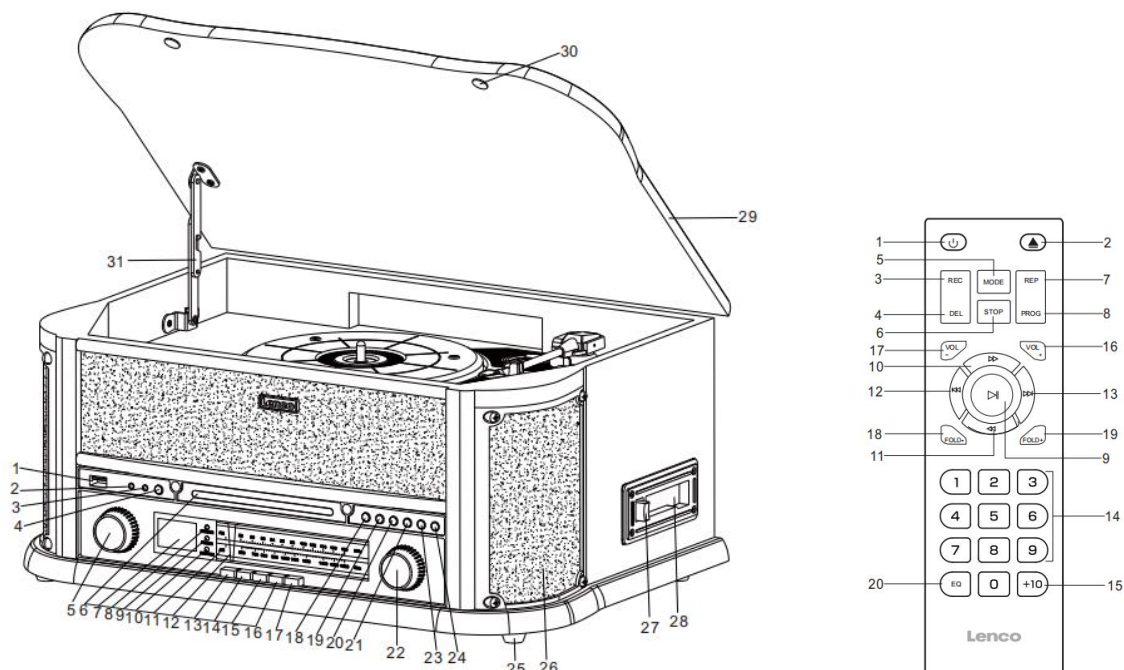
VIGTIGT: ÅBNING OG LUKNING AF PLADESPILLERENS STØVLÅG

Når låget åbnes. Åbn låget så højt, det kan gå, træk forsigtigt støttebenet fremad, og sænk låget langsomt.

Når låget lukkes. Træk låget opad for at låse støttebenet op, og sænk forsigtigt låget.

UNDGÅ AT BESKADIGE KABINETTET ELLER LÅGET VED ALDRIG AT TVINGE LÅGET NED. LØFT ALTID LÅGET FOR AT UDLØSE STØTTEBENET.

KNAPPER, KONTROLLER OG INDIKATORER



Knapper og kontroller:

1. USB-STIK	17. KNAPPEN EQ
2. 3,5 mm AUX-INDGANG	18. KNAPPEN AFSPIL/PAUSE
3. 3,5 MM STIK TIL HØRETELEFONER	19. KNAPPEN STOP
4. KNAPPEN OPTAG/SLET	20. KNAPPEN NED/SPOL TILBAGE
5. VOLUMENKNAP/POWER STANDBY	21. KNAPPEN OP/SPOL FREM
6. CD-LÅGE	22. INDSTILLINGSKONTROL
7. LCD-DISPLAY	23. ERP/PROG
8. MODTAGER TIL FJERNBETJENING	24. KNAP TIL ÅBNING/LUKNING AF CD-LÅGE
9. STRØMINDIKATOR	25. FODPUDE AF PLAST
10. KONTROLLAMPE FOR FM ST./OPTAGELSE	26. HØJTTALERE
11. AM/FM KANALVÆLGER	27. KNAP TIL UDLØSNING AF KASSETTEBÅND/SPOL FREM
12. KANALVISER	28. KASSETTEINDSTIK
13. KNAPPEN TUNER (AM/FM)	29. STØVLÅG
14. KNAPPEN CD/USB/BT	30. PUDE PÅ STØVLÅG
15. KNAPPEN TAPE (Kassettebånd)/AUX IN	31. HÆNGSEL
16. KNAPPEN PHONO (Pladespiller)	

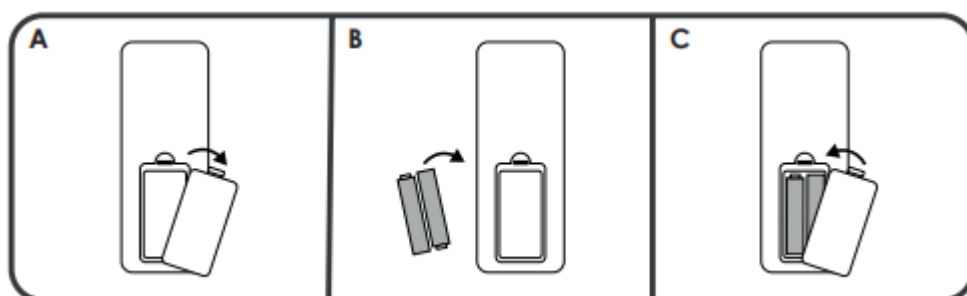
FJERNBETJENING

1. TÆND/SLUK-KNAP
2. ÅBN/LUK CD-LÅGE
3. REC: tryk for at aktivere optagefunktionen i tilstandene CD/AM/FM/AUX IN/BT/PHONO/TAPE.
4. KNAPPEN DELETE
5. TILSTANDSKNAP til at vælge kilde CD/USB/BT/AM/FM/TAPE/PHONO/AUX IN.
6. KNAPPEN STOP
7. GENTAGEKNAP til at vælge gentag afspilning (CD/USB).
8. PROGRAM: Tryk for at aktivere programmeringsfunktionen i CD/USB-tilstand.
9. PLAY/PAUSE: i CD/USB-tilstand, tryk én gang for at starte afspilning, tryk igen for at gå i pausetilstand.
10. KNAPPEN SPOL FREM
11. KNAPPEN SPOL TILBAGE
12. KNAPPEN SPRING-
13. KNAPPEN SPRING+
14. LÅSNING AF NUMRE 0-9
15. 10+ Track-knap til valg af 2-cifrede tal.
16. KNAPPEN VOLUME+
17. KNAPPEN VOLUME-
18. FOLD- (Mappe ned)
19. FOLD+ (Mappe op)
20. KNAPPEN EQ: vælg blandt de forskellige equalizerindstillinger NORMAL/ POP/ KLASSISK/ ROCK/ JAZZ.

Batterier til fjernbetjening

Der skal bruges 2xAAA-batterier (medfølger ikke) til den infrarøde fjernbetjening.

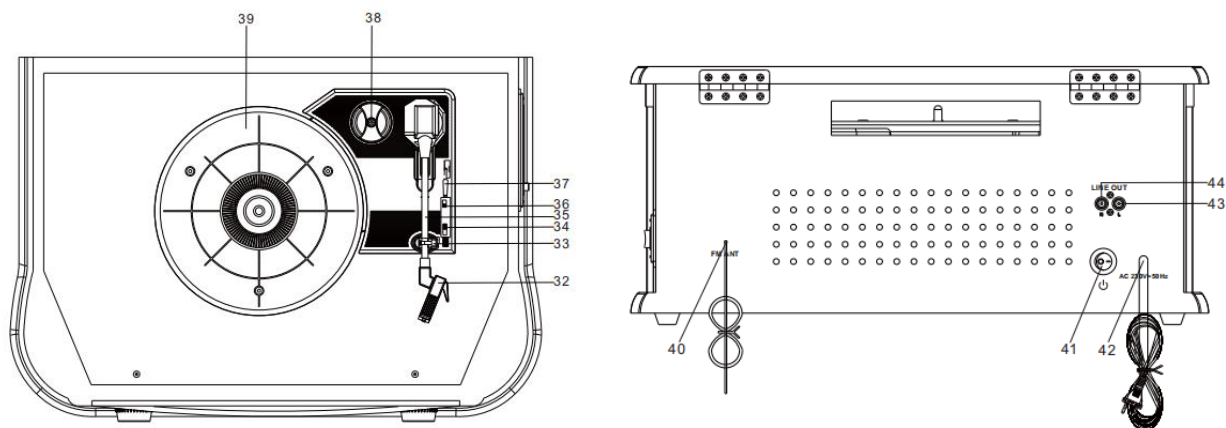
- A) Tag dækslet af batterirummet
- B) Indsæt 2 x AAA-batterier i henhold til markeringerne inde i rummet.
- C) Luk batterirummet.



Bemærk 1: Alle knapper på fjernbetjeningen har samme funktioner som de tilsvarende knapper på selve enheden. Fjernbetjeningen er kun til brug ved afspilning af CD/MP3 og USB.

Bemærk 2: Hold knappen AFSPIL/PAUSE på fjernbetjeningen inde i 2 sekunder for at skifte mellem CD og USB.

Bemærk 3: Hold knappen DELETE på fjernbetjeningen inde i 2 sekunder for at slette filen i USB-tilstand.



- 32. PICKUP
- 33. PICKUPHOLDER
- 34. HASTIGHEDSVÆLGER 33/45/78 O/MIN.
- 35. TONEARM
- 36. Auto-stop TÆND-/SLUK
- 37. TONEARMSLIFT
- 38. STRØMFORSYNING
- 39. PLADESPILLER
- 40. FM/DAB-ANTENNE
- 41. TÆND-/SLUK-KNAP
- 42. AC STRØMKABEL
- 43/44. LINJEUDGANGE (R+L)

OPLYSNINGER

AM-antennen sidder inde i kabinettet. Hvis modtagelsen af AM-radio ikke er tilfredsstillende, kan du prøve at flytte eller dreje kabinettet en anelse, indtil den interne antenne modtager det kraftigste signal.

FM-trådontennen sidder på bagsiden af kabinettet. Om nødvendigt kan du justere denne antennes retning og position, indtil du finder den position, der giver den bedste modtagelse.

TÆND/SLUK-KNAP

- Stil kontakten ON/OFF over på ON. Tryk på TÆND/SLUK-knappen for at tænde systemet. Displayet lyser op.
- Tryk på funktionsvælgerknapperne (AM/FM/CD/USB/TAPE/PHONO/AUX IN) for at vælge den ønskede funktion.
- Start med at indstille lydstyrken med volumenknappen.
- Når du er færdig med at lytte, skal du trykke på TÆND/SLUK-knappen igen for at slukke systemet. Displayet slukker.

Bemærk: Enheden overholder ERP2, hvilket betyder, at den går på standby, hvis ingen betjening finder sted i 15 minutter. Tryk én gang på TÆND/SLUK-knappen, når du vil genstarte enheden.

RADIOBETJENING

- Tryk på TÆND/SLUK-knappen for at tænde systemet.
- Tryk på knappen TUNER for at aktivere radiotilstand, og tryk på knappen TUNER igen for at skifte mellem AM og FM.
- Drej knappen TUNING for at stille ind på den ønskede radiostation. Kontrollampen for FM ST/REC lyser, når radioen finder en FM-stereostation.

CD-BETJENING

- Tryk på TÆND/SLUK-knappen for at tænde systemet.
- Tryk på knappen CD/USB/BT for at aktivere CD-tilstand. 'Cd' og ikonet 'DISC' vises på displayet. Enheden kan afspille CD, CD-R og CD-RW.



- Tryk på knappen OP/CL for at åbne CD-skuffen.
- Læg din CD i CD-skuffen med labelsiden opad.

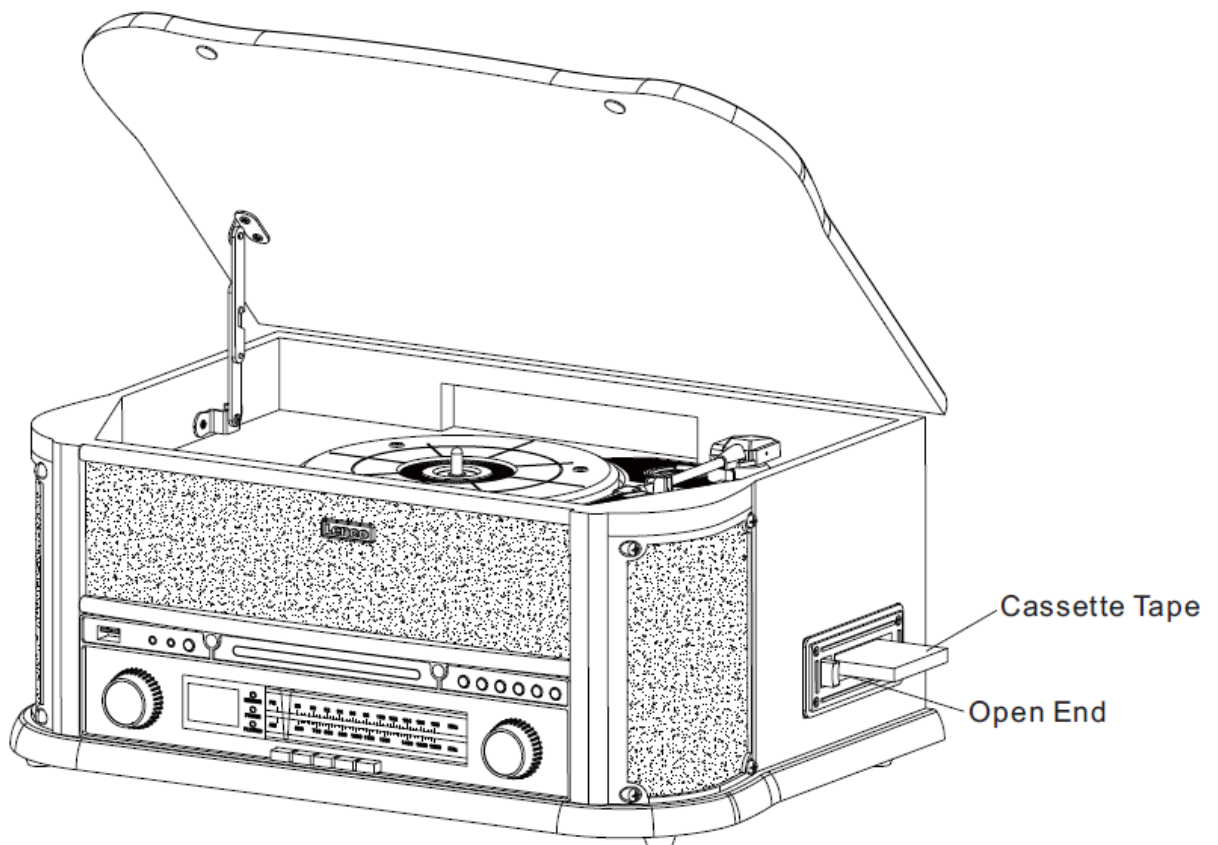
- Tryk på knappen OP/CL igen for at lukke CD-skuffen. Afspilningen starter automatisk fra første skæring.
- Ikonet MP3 vises på displayet, hvis disken indeholder MP3-filer.



AFSPILNING AF KASSETTEBÅND

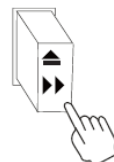
Bemærk: Inden du sætter et kassettebånd i afspilleren skal du sikre dig, at båndet er stramt, ellers kan båndet sætte sig fast i mekanismen.

- Tryk på TÆND/SLUK-knappen for at tænde systemet.
- Tryk på knappen TAPE/AUX for at aktivere tilstanden KASSETTEBÅND.
- Sæt dit kassettebånd i indstikket på højre side af kabinettet, som vist på tegningen. Den side, du vil afspille, skal vende opad, og båndets åbne side skal vende mod afspilleren.

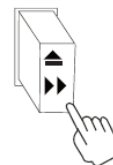


EN	DK/NO
Cassette Tape	Kassettebånd
Open End	Den åbne side

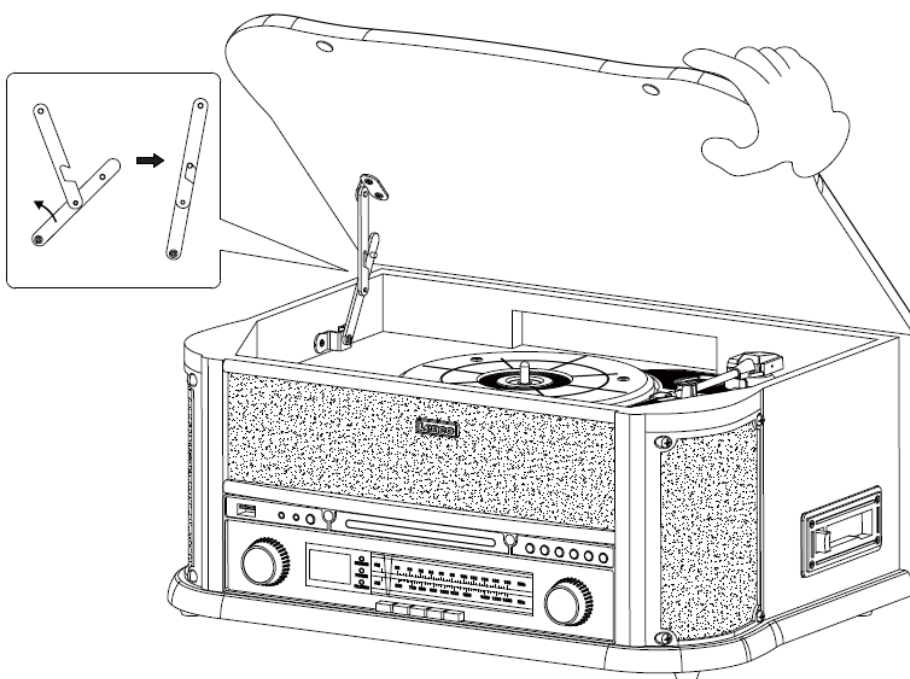
- Afspilningen af kassettebåndet starter, så snart du sætter båndet i. Justér lydstyrken til det ønskede niveau med VOLUMENKNAPPEN.



- Hvis du vil spole båndet hurtigt frem, skal du trykke knappen halvt ind. Båndet spoles hurtigt frem så længe, du holder knappen trykket halvt ind. Normal afspilning genoptages, når du slipper knappen.



- Når båndet er spillet til ende, afbrydes afspilningen automatisk. Tryk knappen helt ind for at skubbe båndet ud af afspilleren. Du kan når som helst trykke på knappen for at stoppe afspilningen af båndet.
- Tryk på TÆND/SLUK-knappen igen for at slukke systemet.



Sådan åbnes/lukkes pladespillerens låg

For at åbne det:

- Løft pladespillerens låg helt op, indtil det stopper.
- Træk forsigtigt støttebenet fremad, og sænk dernæst låget.
- Låget vil nu forblive åbent.

For at lukke det:

- Løft låget helt op, indtil det stopper.
- Låsen vil nu gå ud af indgrebet. Sænk langsomt låget. Hvis låsen ikke går ud af indgrebet, skal du skubbe den nederste stang ud med hånden.
- Sørg for at holde forsigtigt i låget, så du ikke klemmer fingrene, når det lukkes.

AFSPILNING AF VINYLPLADER

Systemet indeholder en remdrevet pladespiller i fuld størrelse med 3 hastigheder. Du kan afspille plader ved 33, 45 og 78 o/min.

- Tryk på **TÆND/SLUK-knappen** for at tænde systemet.
- Tryk på knappen **PHONO** for at aktivere tilstanden **PLADESPILLER**.
- Kontrollér, at du har fjernet nålehætten fra nålen og åbnet tonearmslåsen, der holder tonearmen fast mod tonearmsholderen.
- Indstil hastigheden med hastighedsvælgeren til den ønskede hastighed, 33, 45 eller 78 o/min. Hvis du vil afspille singleplader ved 45 o/min., skal du lægge 45 o/min. singleadapteren på spindlen.
- Placér din plade på pladetallerkenen.
- Løft **TONEARMSLIFTEN** for at hæve tonearmen fra lejet. Flyt tonearmen til udkanten af pladen. Pladetallerkenen begynder automatisk at dreje. Brug **TONEARMSLIFTEN** til blidt at sænke tonearmen ned på pladen.
- Justér lydstyrken til det ønskede niveau med **volumenknappen**.
- Når tonearmen når enden af pladen, stopper afspilningen automatisk.
- Tryk på **TÆND/SLUK-knappen** igen for at slukke systemet.

Sådan isættes nålen

1. Hold i spidsen af nålen, og før den ind i pickuppen, som vist på fig. "B".
2. Skub nålen opad i retning "C", indtil nålen klikker på plads.



NOTER

Vi anbefaler, at du renser dine plader med en antistatisk klud for at opnå den bedst mulige lyd kvalitet fra dem.

Af samme grund anbefaler vi, at nålen udskiftes med jævne mellemrum (efter ca. hver 250 timers afspilning).

AFSPILNING VIA BLUETOOTH

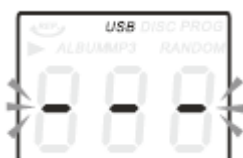
Tryk gentagne gange på knappen CD/USB/BT, indtil displayet viser 'BT'.

Søg efter 'Lenco TCD-2551' på din eksterne enhed, og vælg den for at oprette forbindelse. Når forbindelsen er oprettet, lyder et bip, og displayet holder op med at blinke.

AFSPILNING VIA AUX IN

Slut lydsystemet til stikket AUX IN på frontpanelet, og tryk to gange på knappen TAPE/AUX. Start afspilningen på den tilsluttede enhed.

AFSPILNING FRA USB



- Tryk to gange på knappen CD/USB/BT for at aktivere USB-tilstand. Displayet viser '---' tillige med ikonet for USB.
- Slut et USB-flashdrev til USB-porten.
- Funktionerne AFSPIL/PAUSE, NED/OP og Stop er de samme som ved afspilning af CD.

AFSPILNING AF MP3 (CD/USB)

- Tryk på knappen AFSPIL/PAUSE for at starte afspilning af det valgte musiknummer eller sætte afspilningen på pause.
- Under afspilningen vises den aktuelle musikfils nummer og mappenummer på displayet.
- Du kan når som helst afbryde afspilningen ved at trykke på knappen STOP.

SPRING OG SØGNING VED HØJ HASTIGHED I CD/USB-TILSTAND

Under afspilning af CD/USB kan du trykke gentagne gange på knappen UP/F.F (⏮) eller DN/F.R (⏭) på enhedens frontpanel eller på fjernbetjeningen for at skifte musiknummer. Hvis du vil søge hurtigt frem eller tilbage indenfor musiknummeret, skal du holde knappen UP/F.F (⏮) eller DN/F.R (⏭) inde. Hvis du vil springe 10 numre frem, skal du trykke på knappen TRACK+10 på fjernbetjeningen.

OPTAGELSE TIL USB

● Optagelse af CD

Slut et USB-flashdrev til USB-terminalen. Tryk dernæst på knappen CD/USB/BT. Læg en CD i CD-skuffen, og afspil det musiknummer, du vil optage. Tryk to gange på knappen RECORD for at starte optagelsen. Hvis du afspiller hele CD'en, optages alle skæringer på den. BEMÆRK: Optagelsen afbrydes, når du trykker på knappen STOP.

● Optagelse fra MP3-DISK

Slut et USB-flashdrev til USB-terminalen. Tryk dernæst på knappen CD/USB/BT. Læg en CD med MP3-filer i CD-skuffen, og afspil den MP3-fil, du vil optage. Tryk to gange på knappen RECORD for at starte optagelsen. Hvis du afspiller alle MP3-filer, optages alle filer på disken. BEMÆRK: Optagelsen afbrydes, når du trykker på knappen STOP.

● Kasetteoptager

Slut et USB-flashdrev til USB-terminalen. Tryk på knappen TAPE/AUX. Sæt et kasettebånd i afspilleren. Afspil kasettebåndet. Tryk på knappen RECORD for at starte optagelsen. Optagelsen afbrydes, når du trykker på knappen STOP.

● Optagelse fra vinylplade

Slut et USB-flashdrev til USB-terminalen. Tryk på knappen PHONO. Afspil vinylpladen, og tryk på knappen RECORD for at starte optagelsen. Optagelsen afbrydes, når du trykker på knappen STOP.

● Optagelse via AUX IN

Slut et USB-flashdrev til USB-terminalen. Slut en ekstern lydenhed til AUX-stikket på bagpanelet. Tryk dernæst på knappen TAPE/AUX, og afspil lyden. Tryk på knappen RECORD for at starte optagelsen.

- **Optagelse af AM/FM-radio**

Slut et USB-flashdrev til USB-terminalen. Tryk på knappen TUNER for at skifte til AM/FM-tilstand.

Tryk på knappen RECORD for at starte optagelsen. Tryk på knappen STOP for at afbryde optagelsen.

SLETNING AF ET NUMMER FRA EN USB-DISK

Tryk på knappen CD/USB/BT på frontpanelet. Vælg det nummer, du vil slette, og hold knappen Delete inde i 2 sekunder. Nummeret slettes.

Garanti

Commaxx B.V. tilbyder service og garanti i overensstemmelse med europæisk lovgivning, hvilket betyder, at i tilfælde af reparation (både under og efter garantiperiodens udløb) bør du kontakte din lokale forhandler.

Vigtig meddelelse: Det er ikke muligt at sende produktet direkte til Commaxx B.V., hvis det kræver reparation.

Vigtig meddelelse: Hvis enheden åbnes eller på nogen måde tilgås af et ikke-godkendt servicecenter, bortfalder garantien.

Denne enhed er ikke egnet til professionel brug. I tilfælde af professionel brug bortfalder alle garantiforpligtelser fra producentens side.

Ansvarsfraskrivelse

Firmware og/eller hardwarekomponenter opdateres regelmæssigt. Derfor kan visse dele af vejledningen, specifikationerne og illustrationerne i vejledningen variere en smule fra dit faktiske produkt. Alle elementer, der beskrives i denne vejledning, er kun til illustration og gælder måske ikke i den givne situation. Ingen juridisk ret eller rettighed kan opnås fra beskrivelsen i denne vejledning.

Bortskaffelse af udtjente enheder



Dette symbol angiver, at det relevante elektriske produkt eller batteri indenfor Europa ikke må bortskaffes med almindeligt husholdningsaffald. For at sikre korrekt affaldsbehandling af produktet og batteriet skal du bortskaffe dem i overensstemmelse med gældende lokal lovgivning om bortskaffelse af elektrisk udstyr eller batterier. På den måde hjælper du med at bevare naturressourcer og forbedre miljøbeskyttelsen indenfor behandling og bortskaffelse af elektrisk affald (Direktiv om affald af elektrisk og elektronisk udstyr).

OVERENSSTEMMELSESERKLÆRING

Hermed erklærer Commaxx, at radioudstyrstypen [Lenco TCD-2551] er i overensstemmelse med EU-direktiv 2014/53/EU. EU-overensstemmelseserklæringens fulde tekst kan findes på følgende internetadresse:

https://commaxx-certificates.com/doc/tcd-2551_doc.pdf

Type RF	Frekvensområde (MHz)	Effekt (dBm)
Bluetooth	2402 - 2480	< 6
DAB	174 - 240	-
FM	87,5 - 108	-

Service

Gå ind på www.lenco.com for yderligere oplysninger og support fra vores helpdesk

Commaxx B.V. Wiebachstraat 37, 6466 NG Kerkrade, The Netherlands.

VAR FÖRSIKTIG:

Att använda kontroller eller justeringar eller utföra andra förfaranden än de som anges häri kan leda till att du utsätts för farlig strålning.

FÖRSIKTIGHETSÅTGÄRDER INNAN ANVÄNDNING**HA DESSA INSTRUKTIONER I ÅTANKE:**

1. Täck inte över eller blockera några ventilationsöppningar. När enheten placeras på en hylla bör det lämnas 5 cm (2 tum) ledigt utrymme runt hela enheten.
2. Montera i enlighet med den medföljande användarmanualen.
3. Håll enheten borta från värmekällor såsom radiatorer, värmare, spisar, ljus och andra värmegenererande produkter eller öppen eld. Enheten kan endast användas i måttliga klimat. Extremt kalla eller varma omgivningar bör undvikas. Drifttemperatur mellan 0 och 35 °C.
4. Undvik att använda enheten nära starka magnetfält.
5. Elektrostatisk urladdning kan störa den normala användningen av den här enheten. Återställ och starta om enheten enligt instruktionsboken om så är fallet. Hantera försiktigt och använd i en statiskt fri miljö vid filöverföring.
6. Varning! För aldrig in ett föremål i produkten genom ventilerna eller öppningarna. Högspänning flödar genom produkten och om du för in ett föremål kan det orsaka elektriska stötar och/eller kortslutning av interna komponenter. Spill inte vatten eller vätska på produkten av samma anledning.
7. Använd inte i våta eller fuktiga områden såsom badrum, ångfyllda kök eller i närheten av simbassänger.
8. Enheten får inte utsättas för dropp eller stänk och se till att inga föremål fyllda med vätskor såsom vaser placeras på eller i närheten av den.
9. Använd inte den här enheten när kondens kan uppstå. När enheten används i ett varmt och fuktigt rum kan vattendroppar eller kondens uppstå inuti enheten och enheten kanske inte fungerar som den ska. Låt enheten vara avstängd i en eller två timmar innan du slår på strömmen igen. Enheten ska vara torr innan strömmen slås på.
10. Även om denna enhet tillverkas med största omsorg och kontrolleras flera gånger innan den lämnar fabriken är det fortfarande möjligt att problem kan uppstå vilket gäller alla elektriska apparater. Om du märker rök, kraftig uppbyggnad av värme eller andra oväntade fenomen ska du omedelbart dra ur kontakten ur eluttaget.
11. Enheten måste drivas med en strömkälla såsom anges på de särskilda märkningskraven. Kontakta din återförsäljare eller lokala elbolag om du är osäker på vilken typ av strömförsörjning som används i ditt hem.
12. Håll på säkert avstånd från husdjur. Vissa djur kan bita på elkablar.
13. Använd en mjuk och torr trasa för att rengöra enheten. Använd inte lösningsmedel eller bensinbaserade vätskor.
För att ta bort allvarliga fläckar kan du använda en fuktig trasa med utspätt rengöringsmedel.
14. Leverantören ansvarar inte för skador eller förlorade data orsakade av fel, missbruk, modifiering av enheten eller batteribyte.
15. Avbryt inte anslutningen när enheten formaterar eller överför filer. Data kan då bli skadade eller förloras.
16. Om enheten har en funktion med USB-uppspelning bör USB-minnet anslutas direkt till enheten. Använd inte en USB-förlängningskabel eftersom den kan orsaka störningar som kan leda till att data förloras.
17. Klassificeringsetiketten är placerad på enhetens undersida eller baksida.
18. Den här enheten är inte avsedd för att användas av personer (inklusive barn) med fysiska, sensoriska eller psykiska funktionshinder eller brist på erfarenhet och kunskap såvida de inte är under övervakning av eller har fått instruktioner om korrekt användning av enheten av den person som ansvarar för deras säkerhet.
19. Den här produkten är endast avsedd för icke-professionell användning och inte för kommersiellt eller industriellt bruk.

20. Se till att enheten är justerad till en stabil position. Skador orsakade av att använda den här produkten i ett instabilt läge med vibrationer eller stötar eller av att inte följa någon annan varning eller försiktighetsåtgärd i denna användarmanual täcks inte av garantin.
21. Ta aldrig bort enhetens hölje.
22. Placera aldrig enheten på annan elektrisk utrustning.
23. Låt inte barn ha tillgång till plastpåsar.
24. Använd endast tillbehör som anges av tillverkaren.
25. Överlåt all service till kvalificerad servicepersonal. Service krävs när enheten har skadats på något sätt, exempelvis på strömkabeln eller strömkontakten, när vätska har spillts eller föremål fallit in i den, när den har utsatts för regn eller fukt och inte fungerar normalt eller har tappats.
26. Lång exponering för höga ljud från musikspelare kan leda till tillfällig eller permanent hörselnedsättning.
27. Om produkten levereras med strömkabel eller nätadapter:
 - Dra ur strömkabeln och kontakta behörig personal för service om ett problem uppstår.
 - Trampa inte på nätadaptern och kläm den inte. Var mycket försiktig och då särskilt nära kontakter och kabelns uttag. Placera inte tunga föremål på nätadaptern då detta kan skada den. Håll hela enheten utom räckhåll för barn! När de leker med strömkabeln kan de skada sig själva.
 - Koppla ur denna enhet under åskväder eller när den inte används under en längre period.
 - Eluttaget måste finnas nära utrustningen och måste vara lättillgängligt.
 - Överbelasta inte eluttaget eller förlängningssladdar. Överbelastning kan orsaka brand eller elektriska stötar.
 - Enheter med klass 1-konstruktion bör anslutas till ett vägguttag med skyddsjord.
 - Enheter med klass 2-konstruktion kräver ingen jordad anslutning.
 - Håll alltid i kontakten när du drar ut den ur vägguttaget. Dra inte i strömkabeln. Detta kan orsaka en kortslutning.
 - Använd inte en skadad strömkabel, strömkontakt eller ett löst vägguttag. Om du gör detta kan det orsaka brand eller elektriska stötar.
28. Om produkten innehåller eller levereras med en fjärrkontroll som innehåller mynt/cellbatterier:

Varning:

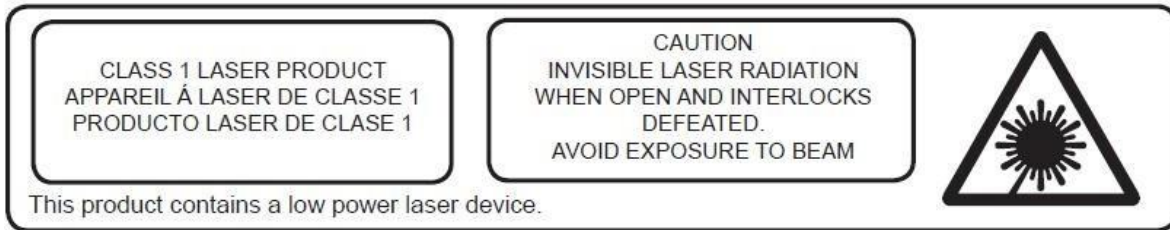
 - "Svälj inte batterier då kemiska brännskador" eller motsvarande kan uppstå.
 - [Den medföljande fjärrkontrollen] Denna produkt innehåller ett knappcells batteri. Om batteriet sväljs kan det orsaka allvarliga inre brännskador på endast två timmar och vara livshotande.
 - Håll nya och använda batterier borta från barn.
 - Om batterifacket inte går att stänga ordentligt bör du sluta använda produkten och hålla den borta från barn.
 - Om du tror att batterier har svalts eller finns någonstans i kroppen ska du omedelbart söka läkarvård.
29. Varning om användning av batterier:
 - Explosionsrisk om batteriet byts ut felaktigt. Byt endast ut mot samma eller motsvarande typ.
 - Batteriet får inte vid användning, förvaring eller transport utsättas för extremt höga eller låga temperaturer samt lågt lufttryck vid hög höjd.
 - Att byta ut ett batteri mot en felaktig typ kan leda till en explosion eller läckage av brandfarlig vätska eller gas.
 - Kassering av ett batteri i eld, en varm ugn, mekaniskt krossning eller skärning av det kan resultera i en explosion.
 - Att lämna ett batteri i en omgivning med extremt hög temperatur kan resultera i en explosion eller läckage av brandfarlig vätska eller gas.
 - Ett batteri som utsätts för extremt lågt lufttryck kan leda till en explosion eller läckage av brandfarlig vätska eller gas.
 - Miljöaspekterna bör uppmärksammas när det gäller kassering av batterier.

MONTERING

- Packa upp alla delar och ta bort skyddsmaterialet.
- Anslut inte enheten till elnätet innan du kontrollerar nätspänningen och att alla andra anslutningar har gjorts.

VARNING

Klass 1 Laserprodukt



EN	SE
CLASS 1 LASER PRODUCT	KLASS 1 LASERPRODUKT
CAUTION	VAR FÖRSIKTIG
INVISIBLE LASER RADIATION WHEN OPEN AND INTERLOCKS DEFEATED.	OSYNLIG LASERSTRÅLNING I ÖPPET LÄGE OCH MED ÅSIDOSATTA FÖRREGLINGAR.
AVOID EXPOSURE TO BEAM	UNDBIK EXPONERING FÖR STRÅLE
This product contains a low power laser device.	Den här produkten innehåller en laserenhet med låg effekt.

Varning: Rör inte linsen.

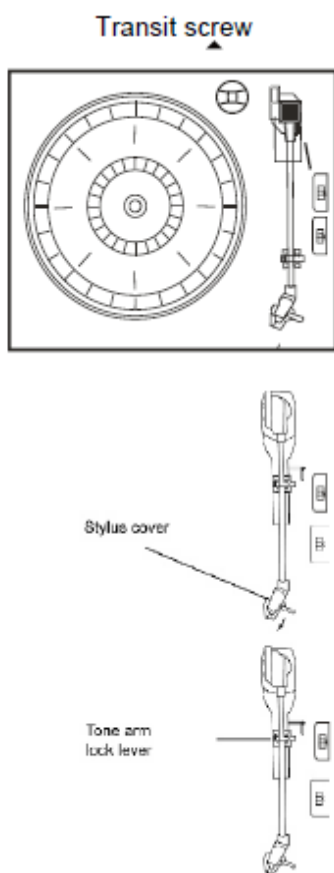
RENGÖRA BASEN

Om träbasen blir dammig ska den torkas av med en mjuk och icke abrasiv dammtrasa. Använd inte vatten eller rengöringsmedel i sprayform då detta kan skada basen och enhetens plast-/metalldelar.

TEKNISKA SPECIFIKATIONER

- Skivspelarens hastigheter: 33/45/78 RPM (skivstorlek 17,5/25/30 cm)
- CD-spelaren kan spela upp CD/CD-R/CD-RW/MP3
- USB kan spela upp MP3
- Kassettspelaren: C60 och C90 (C120-kassetter rekommenderas inte)

FÖRBEREDELSE FÖR ANVÄNDNING



- Ta försiktigt ut enheten från förpackningen och ta bort allt förpackningsmaterial.
- Rulla ut strömkabeln och dra ut den till sin fulla längd.
- Rulla ut FM-antennkabeln och dra ut den till sin fulla längd.

Lyft upp locket för att komma åt skivspelaren.

- Ta bort det opaka och vita nålskyddet i plast från grammofoonålen genom att skjuta den i pilens riktning.
- Var uppmärksam på nålen under användning då skada på den inte täcks av garantin.
- Ta bort spännråden som används för att säkra tonarmen under transport.
- Frigör tonarmens låsspak.
- Anslut strömkontakten till ett 220 VAC/50 HZ uttag.

EN	SE
Transit screw	Transportskruv
Style cover	Nålskydd
Tone arm lock lever	Tonarmens låsspak

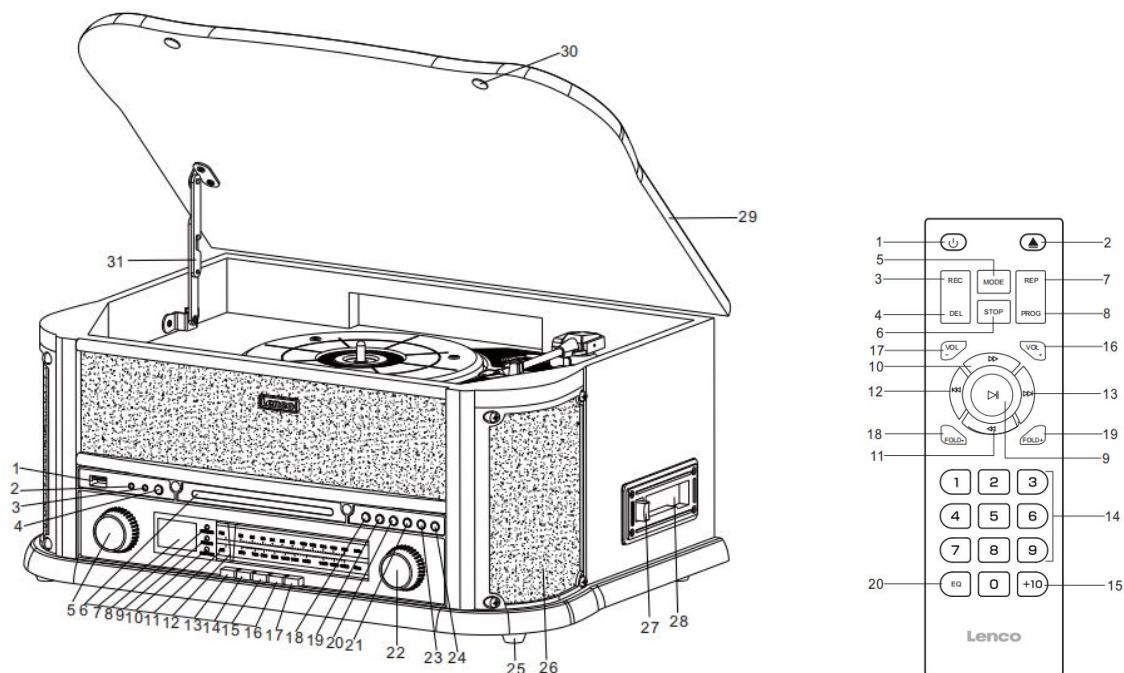
VIKTIGT: HÖJA OCH SÄNK SKIVSPELARENS LOCK

Öppna locket. Lyft locket så långt det går. Dra sedan stödet försiktigt mot enhetens framsida och sänk långsamt ned locket.

Stäng locket. Lyft locket för att frigöra stödet och sänk sedan försiktigt ned locket.

STÄNG ALDRIG LOCKET MED VÅLD FÖR ATT UNDVIKA ATT SKADA BASEN ELLER LOCKET. LYFT ALLTID LOCKET FÖR ATT FRIGÖRA STÖDET.

KONTROLLERNAS OCH INDIKATORERNAS PLACERING



Kontrollernas placering:

1. USB-UTTAG	17. EQ-knapp
2. 3,5 MM AUX-INGÅNG	18. KNAPPEN UPPSPELNING/PAUS
3. 3,5 MM HÖRLURSUTTAG	19. STOPPKNAPP
4. KNAPP FÖR ATT SPELA IN/RADERA	20. KNAPP FÖR NED/SPOLNING BAKÅT
5. VOLYMRATT/STANDBY-LÄGE	21. KNAPP FÖR UPP/SPOLNING FRAMÅT
6. CD-LUCKA	22. INSTÄLLNINGSRATT
7. LCD-DISPLAY	23. ERP/PROG
8. FJÄRRKONTROLLSENSOR	24. KNAPP FÖR CD-LUCKA ÖPPEN/STÄNGD
9. STRÖMINDIKATOR	25. PLASTFÖTTER
10. INDIKATOR FÖR FM ST./INSPL	26. HÖGTALARE
11. INDIKATORSKALA FÖR AM/FM	27. KNAPP FÖR MATA UT KASSETT/S.F
12. INSTÄLLNINGSMARKÖR	28. PLATS FÖR KASSETTBANDSPELARE
13. KNAPP FÖR ATT JUSTERA (AM/FM)	29. DAMMSKYDD
14. KNAPP FÖR CD/USB/BT	30. FÄSTE FÖR DAMMSKYDD
15. KNAPP FÖR KASSETT/AUX IN	31. GÅNGJÄRN
16. KNAPP FÖR PHONO	

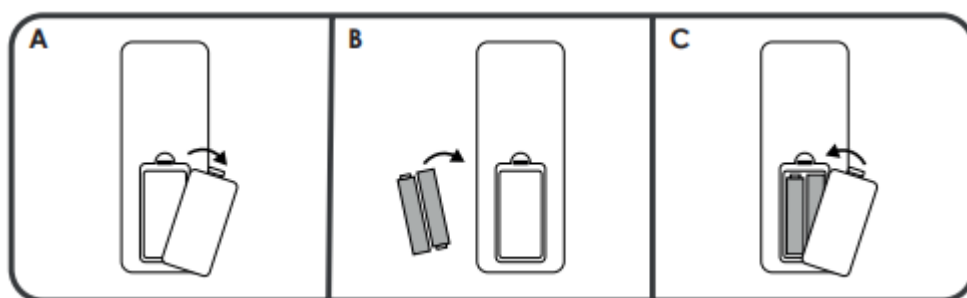
FJÄRRKONTROLL

1. STRÖM PÅ/AV
2. ÖPPNA/STÄNG CD-LUCKA
3. REC: Aktivera lägena CD/AM/FM/AUX IN/BT/PHONO/KASSETT och tryck sedan för att aktivera inspelningsfunktionen.
4. RADERINGSKNAPP
5. FUNKTIONSKNAPP för att välja källa: CD/USB/BT/DAB/FM/KASSETT/PHONO/AUX IN.
6. STOPPKNAPP
7. REPEAT-KNAPP för att välja upprepad uppspelning (CD/USB).
8. PROGRAM: i CD/USB-läge. Tryck för att aktivera programmeringsfunktionen.
9. UPPSPELNING/PAUS: i läget CD/USB trycker du en gång för att starta uppspelningen, och trycker en gång till för att pausa.
10. KNAPP FÖR SPOLA FRAMÅT
11. KNAPP FÖR SPOLA BAKÅT
12. KNAPP FÖR HOPPA BAKÅT
13. KNAPP FÖR HOPPA FRAMÅT
14. SIFFROR 0–9
15. Knappen +10, för att välja tvåsiffriga nummer.
16. KNAPP FÖR VOLYM+
17. KNAPP FÖR VOLYM-
18. MAPP-
19. MAPP+
20. EQ-KNAPP: låter dig välja mellan olika ljudeffekter – VANLIG/POP/KLASSISK/ROCK/JAZZ.

Batterier till fjärrkontrollen

2 x AAA-batterier (ingår ej) behövs till den infraröda fjärrkontrollen

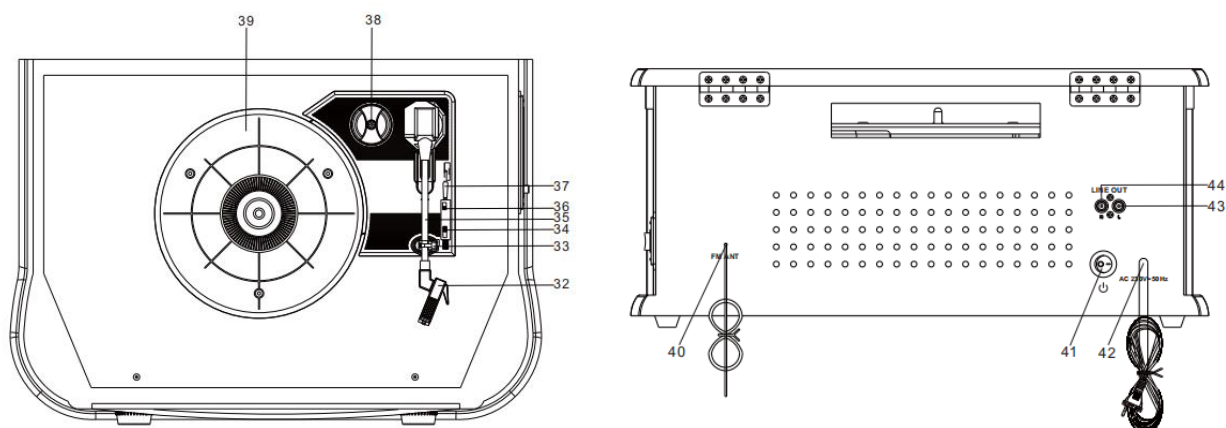
- A) Ta bort batterifacketes lucka
- B) Sätt i 2 x AAA-batterier enligt markeringarna på facketets insida.
- C) Stäng batterifacket.



Obs 1: Alla knappar på fjärrkontrollen har samma funktion som de på enheten. Fjärrkontrollen används endast för lägena CD/MP3/USB.

Obs 2: Tryck på och håll SPELA UPP/PAUSA nedtryckt på fjärrkontrollen i två sekunder för att växla mellan CD och USB.

Obs 3: Tryck på och håll RADERA nedtryckt på fjärrkontrollen två gånger för att radera filen i USB-läge.



- 32. PICKUP
- 33. PICKUP-HÅLLARE
- 34. VRED FÖR VAL AV VARVTAL 33 45/78 RPM
- 35. TONARM
- 36. Automatisk avstängning PÅ/AV
- 37. TONARMSHISS
- 38. ADAPTER
- 39. SKIVSPELARE
- 40. FM/DAB-ANTENN
- 41. STRÖMBRYTARE (PÅ/AV)
- 42. AC-NÄTKABEL
- 43/44. LINJEUTGÅNGAR (H+ V)

INFORMATION

AM-antennen finns inuti basen. OM AM-mottagningen är otillräcklig kan du försöka placera basen på en annan plats till den interna antennen fångar upp den starkaste signalen.

FM-kabeln är placerad på baksidan av basen. Justera vid behov positionen och riktningen på antennen till du hittar den som erbjuder bäst mottagning.

STRÖM PÅ/AV

- Växla STRÖMBRYTAREN (PÅ/AV) till läget PÅ. Tryck på STRÖM PÅ/AV för att slå på systemet vilket i sin tur tänds displayen.
- Tryck på funktionsknapparna (AM/FM/CD/USB/KASSETT/PHONO/AUX IN) för att välja önskad funktion.

- Använd volymknappen för att börja justera volymen.
- Tryck på STRÖM PÅ/AV igen för att stänga av systemet när du har lyssnat klart. Displayen släcks.

Anmärkning: Enheten efterlever ERP2 och aktiverar standby-läget om den inte används under 15 minuter. Tryck på knappen en gång för att starta om enheten.

ANVÄNDA RADION

- Tryck på STRÖM PÅ/AV för att slå på systemet.
- Tryck på JUSTERA för att aktivera radioläge. Tryck på knappen JUSTERA igen för att växla mellan AM och FM.
- Vrid på INSTÄLLNINGSRATT för att ställa in önskad radiostation. Indikatorn FM ST./INSPL tänds när en stereo-FM-station hittas.

ANVÄNDA CD

- Tryck på knappen STRÖM PÅ/AV för att slå på systemet.
- Tryck på knappen CD/USB/BT för att aktivera CD-läget. Ikonerna "Cd" och "DISC" (SKIVA) visas på skärmen. Enheten kan spela upp CD, CD-R och CD-RW.



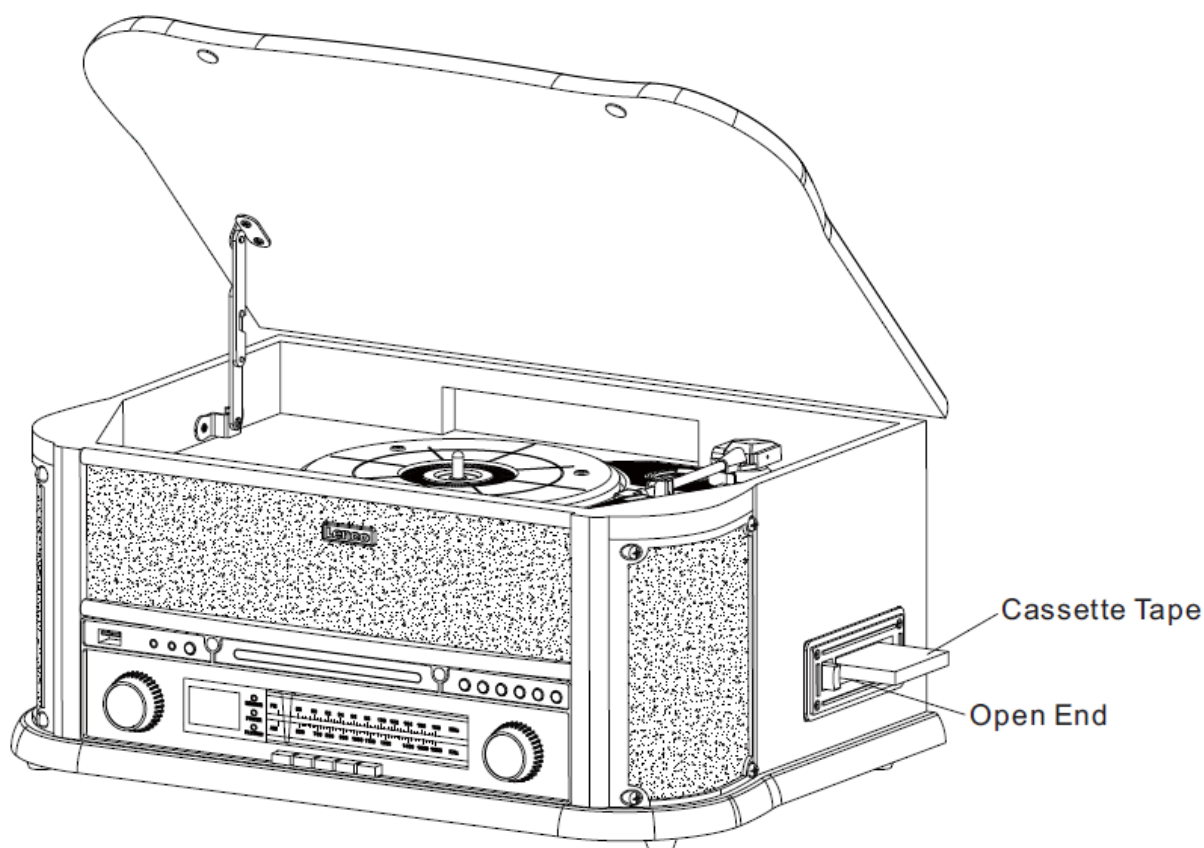
- Tryck på knappen OP/CL för att öppna CD-slåden.
- Placera skivan i CD-slåden med etikettsidan uppåt.
- Tryck på knappen OP/CL igen för att stänga CD-slåden. Uppspelingen startar automatiskt från det första spåret.
- Ikonen MP3 visas om en MP3-fil läses av på skivan.



SPELA UPP EN KASSETT

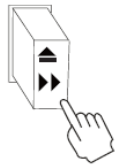
Obs! Se till att bandet i kassetten är sträckt innan du sätter in det i spelaren för att undvika att mekanismen blockeras.

- Tryck på STRÖM PÅ/AV för att slå på systemet.
- Tryck på knappen KASSETT/AUX IN för att välja läget KASSETT.
- Sätt in kassetten i öppningen på höger sida av basen, såsom visas på bilden, med sidan du vill spela upp uppåt och den öppna änden på höger sida.

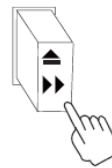


EN	SE
Cassette Tape	Kassettband
Open End	Öppen ände

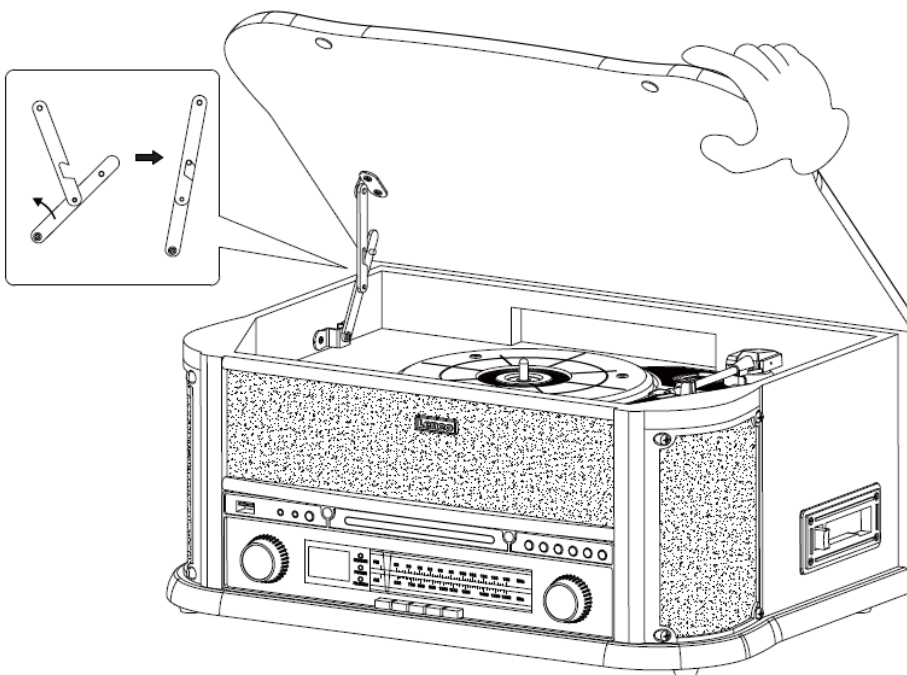
- Uppspelningen av kassetten starta så snart som den sätts i. Justera reglaget VOLYM till önskad nivå.



- Tryck ned knappen ungefär halvvägs för att spola fram bandet snabbt. Bandet spolas snabbt framåt medan knappen är nedtryckt halvvägs. Normal uppspelning återupptas när knappen släpps.



- När bandet tar slut stannar spelaren automatiskt. Tryck ned knappen helt för att mata ut kassetten från spelaren. Du kan trycka på knappen när som helst för att stoppa uppspelningen av kassetten.
- Tryck på STRÖM PÅ/AV igen för att stänga av systemet.



Så öppnas/stängs skivspelarens lock

Öppna:

- Lyft skivspelarens lock helt till det tar stopp.
- Dra stödet försiktigt mot enhetens framsida och sänk sedan ned locket.
- Locket blir nu öppet.

Stänga:

- Lyft lock helt till det tar stopp.
- Spärren bör frigöras. Sänk locket långsamt. Tryck manuellt ut den nedre stängen om spärren inte frigörs.
- Se till att hålla locket försiktigt för att undvika att klämma fingrarna när det stängs.

SPELA UPP VINYLSKIVOR

Systemet innehåller en treväxlad remdriven skivspelare i fullstorlek. Du kan spela upp skivor med 33, 45 och 78 rpm.

- Tryck på **STRÖM PÅ/AV** för att slå på systemet.
- Tryck på knappen **PHONO** för att välja **PHONO**-läge.
- Se till att du har tagit bort nålskyddet från nålen och att tonarmens spärr, som säkrar tonarmen vid tonarmstödet, har frigjorts.
- Ställ in skivspelarens hastighetsväljare till en lämplig hastighet på 33, 45 eller 78 rpm. Om du spelar upp singelskivor på 45 rpm ska du placera en 45 rpm adapter på centerspindeln.
- Placera skivan på den borttagna centerspindeln.
- Lyft **TONARMSHISSEN** för att lyfta tonarmen från sin vagga. Flytta tonarmen till kanten av skivan. Skivspelaren startar automatiskt. Använd **TONARMSHISSEN** för att försiktigt sänka ned tonarmen på skivan.
- Justera reglaget **volym** till önskad nivå.
- När tonarmen når slutet av skivan stannar den automatiskt.
- Tryck på **STRÖM PÅ/AV** igen för att stänga av systemet.

Montera nålen

1. Håll i spetsen på nålen och för in den genom att trycka såsom visas på bild "B".
2. Tryck nålen uppåt i den riktning som visas på bild "C" till den låses fast på plats.



OBS

Vi råder dig att rengöra skivor med en antistatisk trasa för att få ut maximal upplevelse från dem. Vi rekommenderar, av samma orsak, att nålen bör bytas med jämna mellanrum (cirka varje 250 uppspelningstimmar).

SPELA UPP VIA BLUETOOTH

Tryck på CD/USB/BT flera gånger till displayen visar "BT".

Sök efter och välj "Lenco TCD-2551" på den Bluetooth-aktiverade enhet för att parkoppla. När anslutningen slutförs ljuder ett pip och displayen slutar blinka.

ANVÄNDA MED AUX-IN

Anslut ljudsystemet till AUX IN-uttaget på frontpanelen och tryck sedan på knappen KASSETT/AUX två gånger. Börja spela upp från den anslutna enheten.

ANVÄNDA MED USB



- Tryck på knappen CD/USB/BT två gånger för att aktivera USB-läget. Ikonerna "---" och "USB" visas.
- Sätt i en USB-minne i USB-uttaget.
- Funktionerna SPELA UPP/PAUSA, NED/UPP och stopp är samma som när en CD-skiva spelas upp.

SPELA UPP I MP3-LÄGET (CD/USB)

- Tryck på knappen SPELA UPP/PAUSA för att starta eller pausa uppspelningen av valt spår.
- När låten spelas upp visar displayen låtens och mappens nummer för det valda spåret.
- Tryck när som helst på knappen STOPP för att stoppa uppspelningen.

HOPPA ÖVER SPÅR OCH SÖKA I SPÅR MED HÖG HASTIGHET I CD/USB-LÄGET

Starta en CD/USB-uppspelning och tryck på knapparna UPP/S.F (⏮) ELLER NED/S.B (⏭), på enhetens frontpanel eller på fjärrkontrollen, upprepade gånger för att byta spår. Tryck på och håll knapparna UPP/S.F (⏮) eller NED/S.B (⏭) nedtryckta för att snabbt söka framåt eller bakåt inom ett spår. Tryck på SPÅR+10 på fjärrkontrollen för att hoppa över 10 spår.

SPELA IN FRÅN USB

- **SPELA IN FRÅN EN CD-SKIVA**

Sätt i en USB-minne i USB-uttaget. Tryck sedan på knappen CD/USB/BT. Placera CD-skivan i CD-slåden och spela upp spåret som ska spelas in. Tryck på knappen SPELA IN två gånger för att starta inspelningen. Om hela CD-skivan spelas upp kommer alla spår att spelas in. OBS! Inspelningen avslutas när knappen STOPP trycks ned.

- **Spela in från en MP3-SKIVA**

Sätt i en USB-minne i USB-uttaget. Tryck sedan på knappen CD/USB/BT. Placera CD-skivan med MP3-filerna i CD-slåden och spela upp MP3-spåret som ska spelas in. Tryck på knappen SPELA IN två gånger för att starta inspelningen. Om alla MP3-filer spelas upp kommer alla spår att spelas in. OBS! Inspelningen avslutas när knappen STOPP trycks ned.

- **Kassetbandinspelare**

Sätt i en USB-minne i USB-uttaget. Tryck sedan på knappen KASSETT/AUX. Sätt i kassetten i uttaget. Spela upp kassetten. Tryck på knappen SPELA IN för att starta inspelningen. Inspelningen avslutas när knappen STOPP trycks ned.

- **Spela in från en vinylskiva**

Sätt i en USB-minne i USB-uttaget. Tryck sedan på knappen PHONO. Spela upp vinylskivan och tryck på knappen SPELA IN för att starta inspelningen. Inspelningen avslutas när knappen STOPP trycks ned.

- **Spela in från AUX IN**

Sätt i en USB-minne i USB-uttaget. Anslut den externa ljudenheten till AUX-uttaget på bakpanelen. Tryck sedan på knappen KASSETT/AUX och spela upp ljudet samt tryck på knappen SPELA IN, för att starta inspelningen.

- **Spela in från AM/FM-radio**

Sätt i en USB-minne i USB-uttaget. Tryck på knappen JUSTERA för att växla till AM/FM-läget. Tryck på knappen SPELA IN för att starta inspelningen. Tryck på STOPP för att stoppa uppspelningen.

RADERA SPÅR FRÅN USB-MINNET

Tryck på knappen CD/USB/BT på frontpanelen. Välj spåret och tryck på och håll Radera nedtryckt i två sekunder för att radera det.

Garanti

Commaxx B.V. erbjuder service och garanti i enlighet med europeisk lagstiftning, vilket innebär att du, vid reparationer, (både under och efter garantins giltighetsperiod) ska kontakta din lokala återförsäljare.

Viktigt: Det är inte möjligt att skicka produkter som behöver repareras direkt till Commaxx B.V.

Viktigt: Om denna enhet öppnas eller görs åtkomlig av ett icke officiellt servicecenter på något sätt, utgår garantin.

Denna enhet är inte lämplig för yrkesmässig användning. Vid yrkesmässig användning, upphör samtliga garantier från tillverkaren att gälla.

Friskrivningsklausul

Uppdateringar av hård mjukvara och/eller hårdvarukomponenter görs regelbundet. Därmed kan vissa anvisningar, specifikationer och bilder i denna dokumentation skilja sig något från din särskilda situation. Alla artiklar beskrivna i denna guide är endast för illustration och kan inte tillämpas på någon speciell situation. Inga juridiska rättigheter eller anspråk kan erhållas från beskrivningen i denna manual.

Bortskaffande av gammal enhet



Denna symbol anger att den relevanta elektriska produkten eller batteriet ska inte kasseras i det allmänna hushållsavfallet i Europa. När den korrekta avfallsbehandlingen för produkten och batteriet ska säkerställas, ska elektrisk utrustning eller batterier kasseras i enlighet med varje krav på tillämplig lokal lagstiftning. Genom detta handlande, bidrar du till att återvinna naturresurser och förbättra normer för miljöskydd och kassering av elektrisk avfall (elektrisk och elektronisk utrustning).

FÖRSÄKRAN OM EFTERLEVNAD

Härmed intygar Commaxx att radioutrustningen av typen [Lenco TCD-2551] överensstämmer med direktiv 2014/53/EU. Den fullständiga texten gällande EU-försäkran om överensstämmelse finns på följande internetadress:

https://commaxx-certificates.com/doc/tcd-2551_doc.pdf

RF-typ	Frekvensintervall (MHz)	Effekt (dBm)
Bluetooth	2402 – 2480	< 6
DAB	174 – 240	-
FM	87,5 – 108	-

Service

För mer information och support via vår helpdesk går du till

www.lenco.com

Commaxx B.V. Wiebachstraat 37, 6466 NG Kerkrade, The Netherlands.