

# Lenco

**Model No: LS-100/ LS-100(V2)**



**User Manual – Turntable with bluetooth reception and wooden speakers**

**Gebruikershandleiding - platenspeler met bluetooth-ontvangst en houten luidsprekers**

**Bedienungsanleitung – Plattenspieler mit Bluetooth-Empfang und Holzlautsprechern**

**Mode d'emploi - Tourne-disque avec réception Bluetooth et enceintes en bois**

**Manual de usuario – Tocadiscos con recepción bluetooth y altavoces de madera**

**Руководство пользователя – Проигрыватель виниловых пластинок с функцией приёма через Bluetooth-соединение и деревянной акустической системой**

**Kullanım Kılavuzu –Ahşap hoparlörlü pikap**

**Manuale d'uso – Giradischi con ricezione bluetooth e altoparlanti in legno**

**(You can download the Italian instruction manual from [www.lenco.com](http://www.lenco.com))**

**Brugervejledning – Pladespiller med Bluetooth og højttalere i trækabinet**

**Bruksanvisning – skivspelare med Bluetooth-anslutning och högtalare i trä**



## Index

English .....	1
Nederlands .....	10
Deutsch .....	19
Français .....	28
Español .....	37
Русский .....	46
Türkçe .....	59
Dansk/Norsk .....	69
Svenska .....	78

**CAUTION:**

Usage of controls or adjustments or performance of procedures other than those specified herein may result in hazardous radiation exposure.

**PRECAUTIONS BEFORE USE****KEEP THESE INSTRUCTIONS IN MIND:**

1. Do not cover or block any ventilation openings. When placing the device on a shelf, leave 5 cm (2") free space around the whole device.
2. Install in accordance with the supplied user manual.
3. Keep the device away from heat sources such as radiators, heaters, stoves, candles and other heat-generating products or naked flame. The device can only be used in moderate climates. Extremely cold or warm environments should be avoided. Working temperature between 0° and 35°C.
4. Avoid using the device near strong magnetic fields.
5. Electrostatic discharge can disturb normal usage of this device. If so, simply reset and restart the device following the instruction manual. During file transmission, please handle with care and operate in a static-free environment.
6. Warning! Never insert an object into the product through the vents or openings. High voltage flows through the product and inserting an object can cause electric shock and/or short circuit internal parts. For the same reason, do not spill water or liquid on the product.
7. Do not use in wet or moist areas such as bathrooms, steamy kitchens or near swimming pools.
8. The device shall not be exposed to dripping or splashing and make sure that no objects filled with liquids, such as vases, are placed on or near the apparatus.
9. Do not use this device when condensation may occur. When the unit is used in a warm wet room with damp, water droplets or condensation may occur inside the unit and the unit may not function properly; let the unit stand in power OFF for 1 or 2 hours before turning on the power: the unit should be dry before getting any power.
10. Although this device is manufactured with the utmost care and checked several times before leaving the factory, it is still possible that problems may occur, as with all electrical appliances. If you notice smoke, an excessive build-up of heat or any other unexpected phenomena, you should disconnect the plug from the main power socket immediately.
11. This device must operate on a power source as specified on the specification label. If you are not sure of the type of power supply used in your home, consult your dealer or local power company.
12. Keep away from animals. Some animals enjoy biting on power cords.
13. To clean the device, use a soft dry cloth. Do not use solvents or petrol based fluids. To remove severe stains, you may use a damp cloth with dilute detergent.
14. The supplier is not responsible for damage or lost data caused by malfunction, misuse, modification of the device or battery replacement.
15. Do not interrupt the connection when the device is formatting or transferring files. Otherwise, data may be corrupted or lost.
16. If the unit has USB playback function, the USB memory stick should be plugged into the unit directly. Don't use an USB extension cable because it can cause interference resulting in failing of data.
17. The rating label has been marked on the bottom or back panel of the device.
18. This device is not intended for use by people (including children) with physical, sensory or mental disabilities, or a lack of experience and knowledge, unless they're under supervision or have received instructions about the correct use of the device by the person who is responsible for their safety.
19. This product is intended for non professional use only and not for commercial or industrial use.
20. Make sure the unit is adjusted to a stable position. Damage caused by using this product in an unstable position vibrations or shocks or by failure to follow any other warning or precaution contained within this user manual will not be covered by warranty.
21. Never remove the casing of this device.
22. Never place this device on other electrical equipment.
23. Do not allow children access to plastic bags.
24. Only use attachments/accessories specified by the manufacturer.

25. Refer all servicing to qualified service personnel. Servicing is required when the device has been damaged in any way, such as the power supply cord or the plug, when liquid has been spilled or objects have fallen into the device, when the device has been exposed to rain or moisture, does not operate normally, or has been dropped.
26. Long exposure to loud sounds from personal music players may lead to temporary or permanent hearing loss.
27. If the product is delivered with power cable or AC power adaptor:
  - If any trouble occur, disconnect the AC power cord and refer servicing to qualified personnel.
  - Don't step on or pinch the power adaptor. Be very careful, particularly near the plugs and the cable's exit point. Do not place heavy items on the power adaptor, which may damage it. Keep the entire device out of children's reach! When playing with the power cable, they can seriously injure themselves.
  - Unplug this device during lightning storms or when unused for a long period.
  - The socket outlet must be installed near the equipment and must be easily accessible.
  - Do not overload ac outlets or extension cords. Overloading can cause fire or electric shock.
  - Devices with class 1 construction should be connected to a main socket outlet with a protective earthed connection.
  - Devices with class 2 construction do not require a earthed connection.
  - Always hold the plug when pulling it out of the main supply socket. Do not pull the power cord. This can cause a short circuit.
  - Do not use a damaged power cord or plug or a loose outlet. Doing so may result in fire or electric shock.
28. If the product contains or is delivered with a remote control containing coin/cell batteries:
 

Warning:

  - "Do not ingest battery, Chemical Burn Hazard" or equivalent working.
  - [The remote control supplied with] This product contains a coin/button cell battery. If the battery is swallowed, it can cause severe internal burns in just 2 hours and can lead to death.
  - Keep new and used batteries away from children.
  - If the battery compartment does not close securely, stop using the product and keep it away from children.
  - If you think batteries might have been swallowed or placed inside any part of the body, seek immediate medical attention.
29. Caution about the use of Batteries:
  - Danger of explosion if battery is incorrectly replaced. Replace only with the same or equivalent type.
  - Battery cannot be subjected to high or low extreme temperatures, low air pressure at high altitude during use, storage or transportation.
  - Replacement of a battery with an incorrect type that can result in an explosion or the leakage of flammable liquid or gas.
  - Disposal of a battery into fire or a hot oven, or mechanically crushing or cutting of a battery, that can result in an explosion.
  - Leaving a battery in an extremely high temperature surrounding environment that can result in an explosion or that leakage of flammable liquid or gas.
  - A battery subjected to extremely low air pressure that may result in an explosion or the leakage of flammable liquid or gas.
  - Attention should be drawn to the environmental aspects of battery disposal.

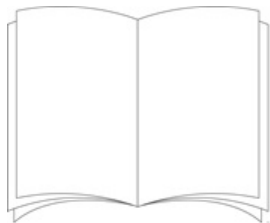
## INSTALLATION

- Unpack all parts and remove protective material.
- Do not connect the unit to the mains before checking the mains voltage and before all other connections have been made.

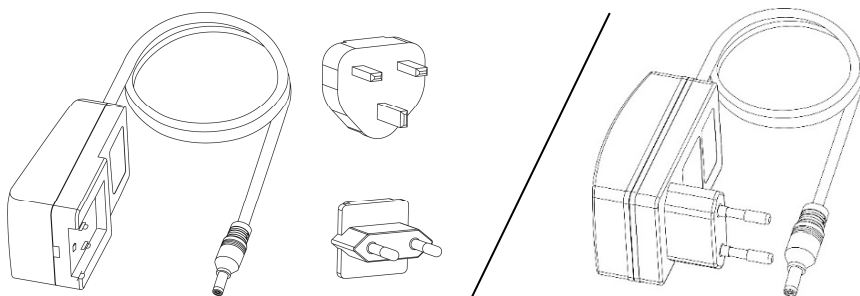
\* **Those instruction are related only to products using power cable or AC power adaptor.**

## Accessories included:

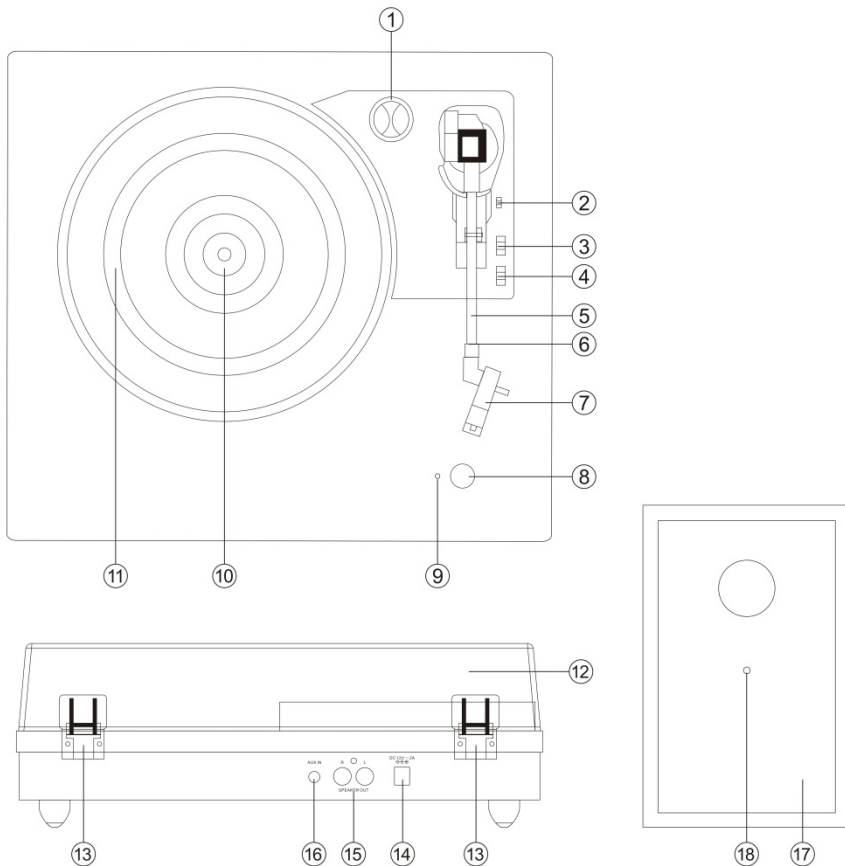
User manual



Power Adaptor



## 1. TURNTABLE PARTS:



1. 45 RPM Adaptor
2. Lift Lever
3. Auto Stop Control Switch
4. Speed Selection Switch
5. Tone Arm
6. Tone Arm Lock
7. Phono Stylus Cartridge
8. POWER/VOLUME Knob
9. Power Led Light Indicator
10. Turntable Shaft
11. Turntable Platter
12. Removable Dust Cover
13. Hinge
14. Power Adaptor Jack
15. External Speaker Jacks
16. Aux in Jack
17. External Speakers
18. Speaker cable at External Speaker

## SET UP

An AC/DC adaptor with an output of 12V DC 2.0A is included with this Turntable with Bluetooth reception and Wooden Speakers. The adaptor is required for operating the unit.

Connect the speaker cables from each speaker to the back of the unit

Note: The external speaker cables are color coded, the cable with the red connector should be put in the red hole and the white one in the white hole.

Firmly and securely insert the DC plug of the adaptor to the DC IN Jack on the back of the unit.

Plug the adaptor's AC plugs into a power outlet rated at 220-240V AV ~ 50 Hz.

Turn on the unit by the POWER/VOLUME Knob. The Power Led Light Indicator will turn on.

**Remark: To avoid Larsen effect or Feedback noise, you can do the following:**

1. Put your speakers at minimum distance of 60 cm or more from your turntable
2. Let the dustcover open when you play a record at higher sound volume

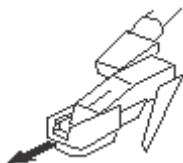
## Power On and Mode selection

Turn on the unit by the POWER/VOLUME Knob. You will hear an indication sound, meaning that it is in Bluetooth mode.

Once you place the tone arm on the vinyl, the turntable will switch to vinyl mode and Bluetooth mode will automatically be disabled; Place the tone arm back to the arm rest to switch back to Bluetooth mode.

## 2. Listen to a Record

1. Raise the dust cover
2. Turn on the unit by the POWER/VOLUME Knob. The Power Led Light Indicator will light in RED.
3. Place a record on the turntable platter and set the player speed to match the record speed.  
Note: When playing a single (a 45 rpm record) and/or records with large centre holes, use the 45 rpm adaptor.
4. Remove the needle cartridge protective cover



Unlock the tone arm lock from the tone arm rest. Push the lift lever backward, the tone arm will gently rise up. Gently move the tone arm to the desired position over the record and the turntable platter will begin to rotate when the arm is moved towards it. If Auto Stop Control Switch is ON. Release the tone arm onto the turntable by pushing the lift lever forward and the vinyl record will begin to play.

If the Auto Control Switch is turned ON, the record will stop automatically when finished. If Auto Stop Control Switch is turned OFF, the record will NOT stop automatically when finished; you must push the lift lever backward to raise the tone arm and place it back in the rest and then turn off the power to stop the turntable from spinning.

Remark: AUTO STOP function applies to most 33RPM vinyl records. However, for very few vinyl records, it will stop when it does not come to the end, or it will not stop when it comes to the end when AUTO STOP is ON.

NOTE: If your record stops before the last track finishes, set the AUTO STOP switch to OFF. Your record will now play to the end, but you will have to stop the turntable rotation manually.

NOTE: Depending on the record length, AUTO STOP may be enabled before the end of the recording. Do not rely on AUTO STOP alone to turn off playback.



### 3. Listen to Bluetooth

An external device with Bluetooth Connectivity like a smartphone or tablet be wirelessly connected to this Turntable using the Bluetooth function.

1. Turn on the unit by the POWER/VOLUME Knob.
2. When the turntable is switched on and the tone arm is placed on the arm rest, Bluetooth mode is automatically activated and go to pairing mode, LED light would flash
3. The first time you use your Bluetooth device with the turntable, you will need to pair them together.
4. Turn your external device's Bluetooth Setting ON. Wait a moment, then look for the Bluetooth pairing name "Lenco LS-100". If your device asks for a password (depending on the device manufacturers, model, and software version), then enter digits "0000" and press OK.
5. Select the Bluetooth pairing name, to connect the unit. Once connected, the Led light will stop flashing.
6. You are now connected to your external device via Bluetooth
7. Rotate the Volume Control Knob to adjust the sound level and adjust the volume control at your external audio device.

"This product has a bluetooth **reception** function, **you can not transmit any bluetooth sound with it**: this means that you can receive wirelessly a bluetooth sound signal from an external source like a smartphone."

#### Listen to auxiliary input

1. Using a 3.5mm Stereo cable (not included), connect an external audio device to the AUX IN socket at the back of the unit.
2. Turn on the unit by the POWER/VOLUME Knob and adjust the volume to an appropriate level.
3. Use the POWER/VOLUME KNOB to adjust the volume and use the controls on the external audio device to control the Playback/Volume functions

Note: When the Aux jack is inserted with cable, the LS-100 would stay at Aux mode, you have to unplug the cable to exit the Aux mode if you want to listen to record or Bluetooth music

Automatic stand-by for power saving (CE regulation): **The LS-100 will go automatically in standby if there is no audio signal (record or Bluetooth) during +/- 15 minutes. To re-activate the device, you have the choice below:**

- **Move the tone arm to the turntable platter with record to start playing.**
- **Turn the POWER/VOLUME Knob to OFF and ON again.**

#### HOW TO REPLACE THE NEEDLE

To replace the needle, please refer to the instructions below.

Removing the needle from the cartridge

1. Place a screwdriver at the tip of the stylus and push downward as shown in direction "A".
2. Remove the stylus by pulling the stylus forward and pushing downward.

Installing the Stylus

1. Hold the tip of the stylus and insert the stylus by pressing as shown in direction "B".
2. Push the stylus upward as in direction "C" until the stylus locks into the tip position.



**Guide Pins (inside)**

**NOTES**

We advise you to clean your records with an anti-static cloth to gain maximum enjoyment from them. We would also point out that for the same reason your stylus should be replaced periodically (approximately every 250 playback hours)

Lenco	
Turntable	LS-100
Type	Belt drive full manual
Drive Motor	DC motor
Speed	33, 45, 78 RPM
Turntable platter	200mm
Bluetooth	
Version	5.0
Frequency Range	2402MHz to 2480MHz
Maximum Transmission Power	<8dbm
General	
ADAPTOR	input AC100-240V~50/60Hz 0.8A
	output DC12V-2A
PRODUCT	DC12V-2A
Power Consumption	24W
Dimension	340x320x100mm for main unit; 130x120x200mm for speaker
Weight	Approx. 4,12 kgs

**Power supply adaptor**

**Manufacturer: SHENZHEN SHI GUANGKAIYUAN TECHNOLOGY LTD**

**Model number: GKYZT0200120KH / GKYZD0200120EU**

## Use only the power supply listed in the user instructions

Information	Value and and precision
Manufacturers name or trade mark, commercial registration and address	<b>SHENZHEN SHI GUANGKAIYUAN TECHNOLOGY LTD</b> 2 floor, 41 TianSheng Road, TianLiao village, GongMing Street, Guangming, Shenzhen, Guangdong, P.R.China
Model Identifier	<b>GKYZT0200120KH / GKYZD0200120EU</b>
Input voltage	100-240V
Input AC frequency	50-60Hz
Output voltage	DC 12V
Output current	2A
Output Power	24W
Average active efficiency	86.66%
Efficiency at low load (10%)	84.42%
No load Power consumption	0.08

## Guarantee

Lenco offers service and warranty in accordance to European law, which means that in case of repairs (both during and after the warranty period) you should contact your local dealer.

Important note: It is not possible to send products that need repairs to Lenco directly.

Important note: If this unit is opened or accessed by a non-official service center in any way, the warranty expires.

This device is not suitable for professional use. In case of professional use, all warranty obligations of the manufacturer will be voided.

## Disclaimer

Updates to Firmware and/or hardware components are made regularly. Therefore some of the instruction, specifications and pictures in this documentation may differ slightly from your particular situation. All items described in this guide for illustration purposes only and may not apply to particular situation. No legal right or entitlements may be obtained from the description made in this manual.

## Disposal of the Old Device



This symbol indicates that the relevant electrical product or battery should not be disposed of as general household waste in Europe. To ensure the correct waste treatment of the product and battery, please dispose them in accordance to any applicable local laws of requirement for disposal of electrical equipment or batteries. In so doing, you will help to conserve natural resources and improve standards of environmental protection in treatment and disposal of electrical waste (Waste Electrical and Electronic Equipment Directive).

### DECLARATION OF CONFORMITY

Hereby, Commaxx declares that the radio equipment type [Lenco LS-100] is in compliance with directive 2014/53/EU. The full text of the EU declaration of conformity is available at the following internet address:

[https://commaxx-certificates.com/doc/ls-100\\_doc.pdf](https://commaxx-certificates.com/doc/ls-100_doc.pdf)

Type RF	Frequency range (MHz)	Power (dBm)
Bluetooth	2402-2480	< 6

### Service

For more information and helpdesk support, please visit [www.lenco.com](http://www.lenco.com)  
Commaxx B.V. Wiebachstraat 37, 6466 NG Kerkrade The Netherlands.

**LET OP:**

Gebruik van bedieningen of afstellingen of uitvoer van procedures anders dan gespecificeerd in deze documentatie kan leiden tot blootstelling aan schadelijke straling.

**VOORZORGSMAATREGELEN VOOR GEBRUIK****ONTHOUD DE VOLGENDE INSTRUCTIES:**

1. Bedek of blokkeer de ventilatieopeningen niet. Wanneer u het apparaat op een schap plaatst, dient u 5 cm (2") vrije ruimte rondom het gehele apparaat te behouden.
2. Installeer het product volgens de meegeleverde gebruikershandleiding.
3. Houd het apparaat uit de buurt van hittebronnen, zoals radiatoren, verwarmingen, kachels, kaarsen en andere hittegenererende producten of open vuur. Het apparaat kan alleen worden gebruikt in een gematigd klimaat. Extreem koude of warme omgevingen dienen te worden vermeden. Bedrijfstemperatuur tussen 0 °C en 35 °C.
4. Gebruik dit apparaat niet in de buurt van krachtige magnetische velden.
5. Elektrostatische ontlading kan normaal gebruik van dit apparaat verstoren. U hoeft het apparaat in dit geval slechts te resetten en opnieuw op te starten volgens de gebruikershandleiding. Wees voorzichtig tijdens bestandsoverdracht en gebruik het product in een omgeving zonder statische interferentie.
6. Waarschuwing! Steek nooit een voorwerp via de ventilatie- of andere openingen in het product. Er is hoogspanning in het product aanwezig en als u er een object insteekt, kan dat een elektrische schok veroorzaken en/of kortsluiting in de interne onderdelen. Mors om dezelfde reden geen water of vloeistof op het product.
7. Gebruik het toestel niet in vochtige ruimtes, zoals badkamers, stomende keukens of in de buurt van zwembaden.
8. Het apparaat mag niet worden blootgesteld aan druppels en spetters en zorg ervoor dat er geen met vloeistof gevulde voorwerpen, zoals vazen, op of in de buurt van het apparaat worden geplaatst.
9. Gebruik dit apparaat niet wanneer condensatie kan optreden. Wanneer het apparaat in een warme en vochtige kamer wordt gebruikt, dan kunnen er waterdruppeltjes of condensatie binnenin het apparaat worden gevormd waardoor het apparaat mogelijk niet meer goed werkt; houd en apparaat 1 of 2 uur op UIT staan voordat u de voeding weer inschakelt: het apparaat dient droog te zijn voordat deze stroom ontvangt.
10. Alhoewel dit apparaat met grote zorg gefabriceerd en verschillende keren geïnspecteerd is voordat het de fabriek verlaat, is het nog steeds mogelijk dat er problemen optreden, zoals met alle elektrische apparaten. Als u rook, een overmatige hitteontwikkeling of enig ander onverwacht verschijnsel opmerkt, moet u onmiddellijk de stekker van het netsnoer uit het stopcontact halen.
11. Dit apparaat moet werken op een voedingsbron, zoals aangegeven op het specificatieplaatje. Als u twijfelt over het type voeding dat gebruikt wordt in uw huis, raadpleeg dan uw dealer of plaatselijk energiebedrijf.
12. Buiten bereik van dieren houden. Sommige dieren bijten graag op voedingskabels.
13. Gebruik een zacht, droog doekje om het apparaat te reinigen. Gebruik geen oplosmiddelen of op benzine gebaseerde vloeistoffen. U kunt een vochtig doekje met verdund schoonmaakmiddel gebruiken om hardnekkige vlekken te verwijderen.
14. De leverancier is niet verantwoordelijk voor schade of verloren gegevens veroorzaakt door storing, misbruik, modificatie van het apparaat of batterijvervangning.
15. Onderbreek nooit de verbinding wanneer het apparaat formatteert of bestanden overdraagt. De gegevens kunnen anders corrupt of verloren raken.
16. Indien het apparaat een USB-afspeelfunctie heeft, moet de USB-geheugenstick rechtstreeks op het apparaat worden aangesloten. Gebruik geen USB-verlengkabel, omdat die kan leiden tot storingen met foutieve gegevens als gevolg.
17. Het nominale specificatielabel is te vinden op het paneel aan de onder- of achterkant van het apparaat.
18. Dit apparaat is niet bestemd voor gebruik door mensen (inclusief kinderen) met fysieke, zintuiglijke of geestelijke gebreken of gebrek aan kennis en ervaring, tenzij zij onder toezicht staan of instructies hebben over het juiste gebruik van het apparaat hebben gekregen van de persoon die verantwoordelijk is voor hun veiligheid.
19. Dit product is alleen voor niet-professioneel gebruik bedoeld en niet voor commercieel of industrieel gebruik.
20. Verzeker u ervan dat het apparaat in een stabiele positie staat opgesteld. Beschadigingen veroorzaakt door het gebruik van dit apparaat in een onstabiele positie, trillingen of schokken of door het niet opvolgen van andere waarschuwingen of voorzorgsmaatregelen beschreven in deze gebruikshandleiding worden niet gedekt door de garantie.
21. Verwijder nooit de behuizing van dit apparaat.
22. Plaats dit apparaat nooit op andere elektrische apparatuur.

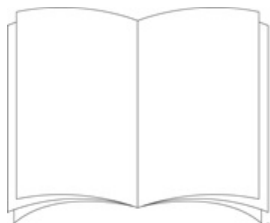
23. Geef kinderen geen gelegenheid in aanraking met plastic zakken te komen.
24. Gebruik uitsluitend uitbreidingen/accessoires gespecificeerd door de fabrikant.
25. Laat alle reparaties over aan gekwalificeerd onderhoudspersoneel. Onderhoud is vereist als het toestel hoe dan ook is beschadigd, zoals bijvoorbeeld het netsnoer of de stekker, wanneer er vloeistof of een voorwerp in het apparaat is terechtgekomen, wanneer het apparaat is blootgesteld aan regen of vocht, als het niet normaal werkt of is gevallen.
26. Langdurige blootstelling aan harde geluiden van persoonlijke muzikspelers kan leiden tot tijdelijk of permanent gehoorverlies.
27. Als het product wordt geleverd met voedingskabel of AC-stroomadapter:
  - Als er problemen optreden, koppel de wisselstroomvoedingskaart dan los en laat reparaties over aan bevoegd personeel.
  - Nooit op de stroomadapter stappen of deze indrukken. Wees voornamelijk voorzichtig in de buurt van de stekkers en het punt waar de kabel uit het apparaat komt. Plaats geen zware voorwerpen op de stroomadapter, om beschadiging ervan te voorkomen. Houd het gehele apparaat buiten bereik van kinderen! Wanneer kinderen met de voedingskabel spelen, kunnen zij ernstig letsel oplopen.
  - Haal de stekker uit het stopcontact tijdens onweer of wanneer u deze langere tijd niet gebruikt.
  - Het stopcontact moet in de buurt van de apparatuur zijn geïnstalleerd en eenvoudig te bereiken zijn.
  - Overbelast stopcontacten of verlengsnoeren niet. Overbelasting kan brand of een elektrische schok veroorzaken.
  - Apparaten met een Klasse 1 structuur dienen te worden aangesloten op een stopcontact met een beschermende aardverbinding.
  - Apparaten met een Klasse 2 structuur vereisen geen aardverbinding.
  - Houd altijd de stekker vast wanneer u deze uit het stopcontact trekt. Trek nooit aan de voedingskabel. Dit kan tot een kortsluiting leiden.
  - Gebruik nooit een beschadigde voedingskabel of stekker of een los stopcontact. Dit vormt namelijk een risico op brand of elektrische schokken.
28. Indien het product knoopcelbatterijen bevat of wordt geleverd met een afstandsbediening die knoopcelbatterijen bevat:  
 Waarschuwing:
  - "Batterij niet inslikken, chemisch brandgevaar" of gelijkwaardige werking.
  - [De afstandsbediening meegeleverd met] Dit product bevat een munt/knoopcelbatterij. Als de batterij wordt ingeslikt, kan deze in slechts 2 uur ernstige interne brandwonden veroorzaken en tot de dood leiden.
  - Houd nieuwe en gebruikte batterijen buiten bereik van kinderen.
  - Als de batterijhouder niet goed kan worden gesloten, dient u het product niet meer te gebruiken en buiten bereik van kinderen te houden.
  - Als u denkt dat batterijen zijn ingeslikt of binnenin een willekeurig lichaamsdeel terecht zijn gekomen, dient u onmiddellijk medische hulp te zoeken.
29. Waarschuwing m.b.t. het gebruik van batterijen:
  - Als de batterij onjuist wordt geplaatst, bestaat er explosiegevaar. Vervang de batterij alleen door een zelfde of vergelijkbare soort batterij.
  - Stel de batterij niet bloot aan extreem hoge of lage temperaturen of een lage luchtdruk op grote hoogte tijdens gebruik, opslag of transport.
  - Vervanging van een batterij door een incorrect type kan leiden tot een ontploffing of de lekkage van ontvlambare vloeistoffen of gas.
  - Verwijdering van een batterij in vuur of een hete oven of het mechanisch verpletteren of snijden van een batterij kan leiden tot een ontploffing.
  - Laat een batterij nooit achter in omgevingen met extreem hoge temperaturen, anders kan dit leiden tot een ontploffing of de lekkage van ontvlambare vloeistoffen of gas.
  - Stel een batterij nooit bloot aan een extreem lage luchtdruk, anders kan dit leiden tot een ontploffing of de lekkage van ontvlambare vloeistoffen of gas.
  - Aandacht voor het milieu is nodig bij het verwijderen van de batterijen.

#### INSTALLATIE

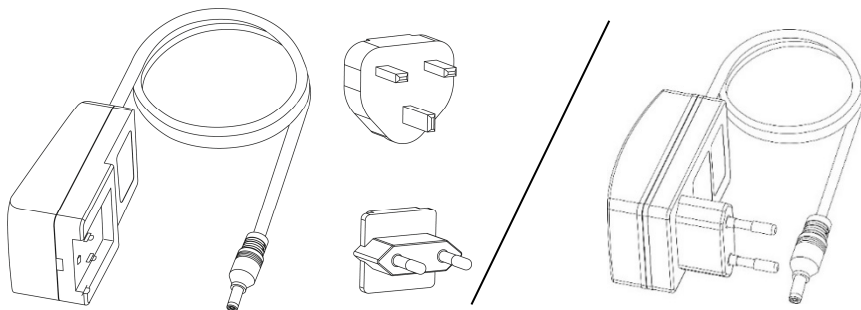
- Pak alle onderdelen uit en verwijder de beschermende materialen.
  - Sluit het apparaat niet aan op het stopcontact, voordat u de netspanning hebt gecontroleerd en voordat alle andere aansluitingen zijn gemaakt.
- \* **Deze instructies zijn enkel van toepassing voor producten met een voedingskabel of een AC voedingsadapter.**

## Inbegrepen toebehoren:

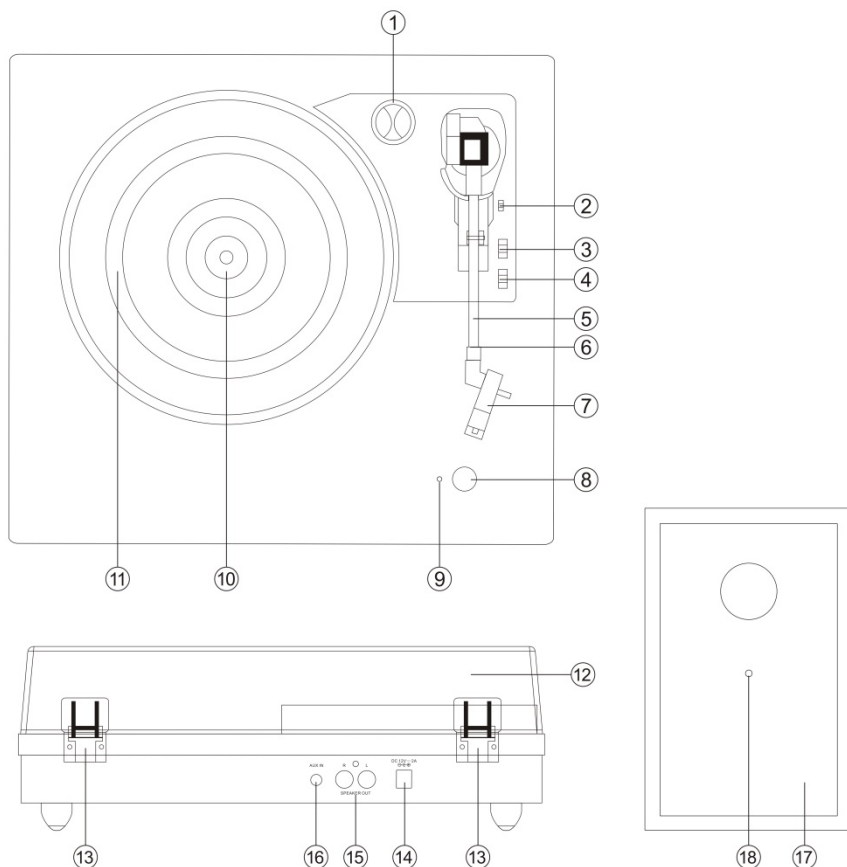
Handleiding



Voedingsadapter



## 1. ONDERDELEN VAN DE PLATENSPELER:



1. Adapter 45 TPM
2. Hendel
3. Aan/uit-schakelaar automatisch stoppen
4. Snelheidskeuzeschakelaar
5. Toonarm
6. Toonarmvergrendeling
7. Naaldelement
8. Aan/uit/volume-knop
9. Led-voedingslampje
10. As
11. Draaitafel
12. Verwijderbare stofkap
13. Scharnier
14. Voedingsaansluiting
15. Aansluitingen externe luidspreker
16. Aux in-aansluiting
17. Externe luidsprekers
18. Luidsprekerkabel van externe luidspreker



## INSTELLING

Een AC/DC-adapter met een uitgang van 12 V DC, 2,0A wordt meegeleverd met deze platenspeler met bluetooth-ontvangst en houten luidsprekers. De adapter is nodig om het apparaat te kunnen gebruiken. Sluit de luidsprekerkabels van elke luidspreker aan op de achterkant van het apparaat.

Opmerking: De externe luidsprekerkabels zijn voorzien van een kleurcode, de kabel met de rode connector moet in het rode gat worden gestoken en de witte in het witte gat.

Steek de gelijkstroomstekker van de adapter stevig in de DC IN-aansluiting aan de achterkant van het apparaat.

Steek de wisselstroomstekker van de adapter in een stopcontact van 220-240 V AV ~ 50 Hz.

Schakel het apparaat in met de AAN/UIT/VOLUME-knop. Het led-voedingslampje gaat aan.

**Opmerking: Om het Larsen-effect of de audiofeedback te voorkomen, kunt u het volgende doen:**

1. Plaats uw luidsprekers op een minimale afstand van 60 cm of meer van uw platenspeler
2. Laat de stofkap open als u een plaat afspeelt bij een hoger geluidsvolume

## Inschakelen en modus selecteren

Schakel het apparaat in met de AAN/UIT/VOLUME-knop. U hoort een geluid ter indicatie, wat aangeeft dat het in de bluetooth-modus staat.

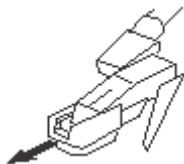
Zodra u de toonarm op de plaat plaatst, schakelt de platenspeler over naar de platenmodus en wordt de bluetooth-modus automatisch uitgeschakeld. Plaats de toonarm in de toonarmsteun om terug te schakelen naar de bluetooth-modus.

## 2. Naar een plaat luisteren

1. Open de stofkap
2. Schakel het apparaat in met de AAN/UIT/VOLUME-knop. Het led-voedingslampje gaat ROOD branden.
3. Leg een plaat op de draaitafel en stel de snelheid in overeenkomstig de snelheid die op de plaat staat aangegeven.

Opmerking: Bij het afspelen van een single (een 45-toerenplaat) en/of platen met een groot gat in het midden, gebruikt u de 45-toerenadapter.

4. Verwijder de beschermkap van de naald



Ontgrendel het toonarmslot van de toonarmsteun. Duw de hendel naar achteren en de toonarm komt langzaam omhoog. Beweeg de toonarm rustig naar de gewenste positie op de plaat. De draaitafel zal beginnen te draaien wanneer de arm boven de plaat wordt verplaatst en als het automatisch stoppen AAN staat. Laat de toonarm op de plaat zakken door de hendel naar voren te halen. De plaat wordt nu afgespeeld.

Als automatisch stoppen op AAN staat, stopt de plaat automatisch als deze klaar is. Als het automatisch stoppen UIT staat, stopt de draaitafel NIET automatisch na het afspelen van de plaat. U dient de hendel naar achteren duwen om de toonarm omhoog te bewegen en terug te plaatsen in de armsteun. Zet het apparaat uit om het draaien te stoppen.

Opmerking: De AUTOMATISCH STOPPEN-functie werkt op de meeste 33-toerenplaten. Wanneer het automatisch stoppen is ingeschakeld, kan het toch gebeuren dat de plaat stopt, voordat het einde van de plaat is bereikt of dat aan het eind van de plaat de platenspeler niet stopt.

OPMERKING: Als uw plaat stopt voordat de laatste nummer eindigt, zet u het automatisch stoppen op UIT. Uw plaat wordt nu tot het einde afgespeeld, maar u moet de platenspeler handmatig stoppen.

OPMERKING: Afhankelijk van de lengte van de plaat kan automatisch stoppen worden ingeschakeld voor het einde van de plaat. Vertrouw niet alleen op automatisch stoppen om het afspelen uit te schakelen.

### 3. Luisteren naar bluetooth

Een extern apparaat met Bluetooth-connectiviteit zoals een smartphone of tablet kan draadloos verbonden worden met deze platenspeler door middel van de bluetooth-functie.

1. Schakel het apparaat in met de AAN/UIT/VOLUME-knop.
2. Wanneer de platenspeler wordt ingeschakeld en de toonarm op de toonarmsteun wordt geplaatst, wordt de bluetooth-modus automatisch geactiveerd en gaat deze naar de koppelingsmodus. Het ledlampje gaat vervolgens knipperen.
3. De eerste keer dat u uw bluetooth-apparaat met de platenspeler gebruikt, moet u ze met elkaar koppelen.
4. Zet de bluetooth-instelling van uw externe apparaat AAN. Wacht even en zoek vervolgens naar de bluetooth-koppelnaam "Lenco LS-100". Als uw apparaat om een wachtwoord vraagt (afhankelijk van de fabrikant van het apparaat, het model en de softwareversie), voer dan de cijfers "0000" in en druk op OK.
5. Selecteer de bluetooth-koppelnaam om het apparaat te verbinden. Eenmaal verbonden stopt het ledlampje met knipperen.
6. U bent nu via bluetooth met uw externe apparaat verbonden.
7. Draai aan de volumeknop om het geluidsniveau aan te passen en stel de volumeregelaar van uw externe audioapparaat in.

"Dit product is voorzien van een bluetooth-ontvangstfunctie, u kunt er geen bluetooth-audio mee overdragen: dit betekent dat u draadloos een bluetooth-geluidssignaal kunt ontvangen van een externe bron zoals een smartphone."

#### Luisteren naar andere apparatuur

1. Sluit met een 3,5mm-stereokabel (niet meegeleverd) een extern audioapparaat aan op de Aux in-aansluiting aan de achterkant van het apparaat.
2. Schakel het apparaat aan met de Aan/uit/volume-knop en stel het volume in op een juiste niveau.
3. Gebruik de Aan/uit/volume-knop om het volume te regelen en gebruik de knoppen op het externe audioapparaat om de afspeel-/volumefuncties te regelen.  
Opmerking: Wanneer er een kabel wordt aangesloten op de Aux in-aansluiting, blijft de LS-100 in de Aux-modus staan. U moet de kabel loskoppelen om de Aux-modus te verlaten als u naar de plaat of muziek via bluetooth wilt luisteren.

Automatische stand-by voor energiebesparing (CE-regeling): **De LS-100 gaat automatisch in stand-by als er gedurende +/- 15 minuten geen audiosignaal (plaat of bluetooth) is. Om het apparaat opnieuw te activeren, heeft u de volgende keuzes:**

- **Beweeg de toonarm naar de draaitafel met de plaat om te beginnen met afspelen.**
- **Zet de Aan/uit/volume-knop op UIT en weer op AAN.**

#### HET VERVANGEN VAN DE NAALD

Om de naald te vervangen, verwijzen wij u naar de onderstaande instructies.

Het verwijderen van de naald uit het element

1. Plaats een schroevendraaier tegen de punt van de stylus en duw naar onderen zoals weergegeven in aanwijzing "A".
2. Verwijder de stylus door de stylus naar voren te trekken en naar onderen te duwen.

De stylus installeren

1. Houd de punt van de stylus vast en steek de stylus in door te drukken zoals weergegeven in aanwijzing "B".
2. Duw de stylus naar boven zoals in aanwijzing "C" totdat de stylus in de puntstand staat.



**Geleidepennen (binnen)**

**OPMERKINGEN**

Wij adviseren u uw platen schoon te maken met een anti-statische doek om maximaal van ze te genieten. Om dezelfde reden dient uw stylus periodiek te worden vervangen (circa elke 250 afspeeluren).

Lenco	
Draaiplateau	LS-100
Type	Riemaandrijving, volledig handmatig
Aandrijfmotor	Gelijkstroommotor
Snelheid	33, 45, 78 TPM
Draaitafel	200 mm
Bluetooth	
Versie	5.0
Frequentiebereik	2402 MHz tot 2480 MHz
Maximaal zendvermogen	<8 dbm
Algemeen	
ADAPTER	Invoer AC 100-240V - 50/60 Hz 0,8A
	uitvoer DC 12 V-2 A
PRODUCT	DC 12 V-2 A
Stroomverbruik	24W
Afmetingen	340x320x100mm voor apparaat; 130x120x200mm voor luidspreker
Gewicht	Ca. 4,12 kg

**Voedingsadapter**

**Fabrikant: SHENZHEN SHI GUANGKAIYUAN TECHNOLOGY., LTD**

**Modelnummer: GKYZT0200120KH / GKYZD0200120EU**

## Gebruik uitsluitend de voedingsadapter die in de gebruiksaanwijzing wordt vermeld

Informatie	Waarde en precisie
Naam of handelsmerk van de fabrikant, handelsregistratie en adres	<b>SHENZHEN SHI GUANGKAIYUAN TECHNOLOGY., LTD</b> 2 floor, 41 TianSheng Road, TianLiao village, GongMing Street, Guangming, Shenzhen, Guangdong, P.R.China
Modelaanduiding	<b>GKYZT0200120KH / GKYZD0200120EU</b>
Ingangsspanning	100-240 V
Ingangsfrequentie wisselstroom	50-60 Hz
Uitgangsspanning	DC 12V
Uitgangsstroom	2 A
Uitgang	24W
Gemiddelde actieve efficiëntie	86,66%
Efficiëntie bij lage belasting (10%)	84,42%
Verbruik onbelast vermogen	0,08

## Garantie

Lenco biedt service en garantie aan overeenkomstig met de Europese wetgeving. Dit houdt in dat u, in het geval van reparaties (zowel tijdens als na de garantieperiode), uw lokale handelaar moet contacteren.

Belangrijke opmerking: Het is niet mogelijk om producten die moeten worden gerepareerd rechtstreeks naar Lenco te sturen.

Belangrijke opmerking: De garantie verloopt als een onofficieel servicecenter het apparaat op wat voor manier dan ook heeft geopend, of er toegang toe heeft gekregen.

Het apparaat is niet geschikt voor professioneel gebruik. In het geval van professioneel gebruik worden alle garantieverplichtingen van de fabrikant nietig verklaard.

## Disclaimer

Er worden regelmatig updates in de firmware en/of hardwarecomponenten gemaakt. Daardoor kunnen gedeelten van de instructie, de specificaties en afbeeldingen in deze documentatie enigszins verschillen van uw eigen situatie. Alle onderwerpen die staan beschreven in deze handleiding zijn bedoeld als illustratie en zijn niet van toepassing op specifieke situaties. Aan de beschrijving in dit document kunnen geen rechten worden ontleend.

## Afvoer van het oude apparaat



Dit symbool geeft aan dat het betreffende elektrische product of de accu/batterij niet mag worden verwijderd als algemeen huishoudelijk afval in Europa. Zorg voor een juiste afvalverwerking door het product en de accu/batterij in overeenstemming met alle van toepassing zijnde lokale wetten voor het verwijderen van elektrische apparatuur of accu's/batterijen te verwijderen. Als u dit doet, helpt u de natuurlijke bronnen te behouden en de standaard van milieubescherming te verbeteren bij de behandeling en verwijdering van elektrisch afval (Afgedankte Elektrische en Elektronische Apparatuur).

## VERKLARING VAN CONFORMITEIT

Hierbij verklaar ik, Commaxx, dat het type radioapparatuur [Lenco LS-100] conform is met Richtlijn 2014/53/EU. De volledige tekst van de EU-conformiteitsverklaring kan worden geraadpleegd op het volgende internetadres:

[https://commaxx-certificates.com/doc/ls-100\\_doc.pdf](https://commaxx-certificates.com/doc/ls-100_doc.pdf)

Type RF	Frequentiebereik (MHz)	Vermogen (dBm)
Bluetooth	2402-2480	< 6

## Service

Bezoek voor meer informatie en helpdeskondersteuning [www.lenco.com](http://www.lenco.com)  
Commaxx B.V. Wiebachstraat 37, 6466 NG Kerkrade, Nederland.

**ACHTUNG:**

Eine andere als die hier beschriebene Bedienung, Einstellung oder Verwendung der Funktionen kann zu gefährlicher Strahlenbelastung führen.

**VORSICHTSMASSNAHMEN VOR DER BENUTZUNG****BEFOLGEN SIE IMMER FOLGENDE ANWEISUNGEN:**

1. Blockieren oder bedecken Sie keine Lüftungsöffnungen. Wenn Sie das Gerät auf ein Regal stellen, lassen Sie um das gesamte Gerät 5 cm (2") freien Platz.
2. Stellen Sie das Gerät entsprechend den Anweisungen der mitgelieferten Bedienungsanleitung auf.
3. Halten Sie das Gerät von Hitzequellen wie Radiatoren, Heizern, Öfen, Kerzen oder anderen hitzeerzeugenden Produkten oder offenen Flammen fern. Das Gerät darf nur bei gemäßigtem Klima verwendet werden. Sehr kalte oder heiße Umgebungen sind zu vermeiden. Die Betriebstemperatur liegt zwischen 0 °C und 35 °C.
4. Meiden Sie bei der Benutzung des Produkts die Nähe starker Magnetfelder.
5. Elektrostatische Entladungen können die normale Benutzung dieses Geräts stören. Sollte dies geschehen, führen Sie einfach einen Reset aus und starten Sie dann das Gerät entsprechend den Anweisungen dieser Bedienungsanleitung neu. Gehen Sie besonders bei Datenübertragungen mit dem Gerät vorsichtig um und führen Sie diese nur in einer antielektrostatischen Umgebung aus.
6. **Warnung!** Niemals Gegenstände durch die Lüftungsschlitze oder Öffnungen in das Gerät stecken. In diesem Gerät fließt Hochspannung und das Hineinstecken von Gegenständen kann zu elektrischem Schock und/oder Kurzschluss interner elektrischer Bauteile führen. Spritzen/Gießen Sie aus dem gleichen Grund kein Wasser oder Flüssigkeiten auf das Gerät.
7. Benutzen Sie das Gerät nicht in nasser oder feuchter Umgebung wie Bad, Dampfküche oder in der Nähe von Schwimmbecken.
8. Das Gerät darf weder Tropf- noch Spritzwasser ausgesetzt werden und es dürfen keine mit Flüssigkeit gefüllten Behälter wie z. B. Vasen auf das Gerät oder in der Nähe des Gerätes gestellt werden.
9. Benutzen Sie das Gerät nicht, wenn Kondensation entstehen kann. Wenn Sie das Gerät in einem warmen feuchten Raum mit Dampf benutzen, dann können Wassertropfen oder Kondensation in das Gerät eindringen und u. U. zu Fehlfunktionen des Geräts führen. Schalten Sie in diesem Fall das Gerät für 1 – 2 Stunden aus, bevor Sie es erneut einschalten, wobei Sie darauf achten sollten, dass das Gerät vollständig getrocknet ist, bevor Sie es wieder einschalten.
10. Obwohl dieses Gerät unter größter Sorgfalt hergestellt und vor Auslieferung mehrmals überprüft wurde, können trotzdem wie bei jedem anderen elektrischen Gerät auch Probleme auftauchen. Trennen Sie das Gerät bei Rauchentwicklung, starker Hitzeentwicklung oder jeder anderen unnatürlichen Erscheinung sofort vom Stromnetz.
11. Dieses Gerät ist durch eine Stromquelle wie auf dem Typenschild angegeben zu betreiben. Halten Sie bei Unsicherheiten über die Art Ihrer Stromversorgung in Ihrer Wohnung Rücksprache mit Ihrem Händler oder Ihrer Stromzuliefererfirma.
12. Halten Sie das Gerät von Haustieren fern. Einige Nagetiere lieben es, an Netzkabeln zu nagen.
13. Benutzen Sie für die Reinigung ein weiches und trockenes Tuch. Benutzen Sie niemals Lösungsmittel oder Flüssigkeiten auf Ölbasis. Benutzen Sie zum Entfernen hartnäckiger Flecken ein feuchtes Tuch mit mildem Reinigungsmittel.
14. Der Hersteller haftet nicht für Beschädigungen oder Datenverluste durch Fehlfunktion, Zweckentfremdung oder Modifikation des Geräts oder durch das Wechseln der Batterie.
15. Unterbrechen Sie die Verbindung nicht während einer Formatierung oder einer Datenübertragung. Bei Unterbrechung drohen Datenverlust und Datenbeschädigung.
16. Wenn das Gerät eine USB-Wiedergabefunktion besitzt, dann stecken Sie den USB-Stick direkt in das Gerät. Verwenden Sie kein USB-Verlängerungskabel, weil die erhöhte Störungsanfälligkeit zu Datenverlust führen kann.
17. Das Typenschild befindet sich an der Unter- oder Rückseite des Gerätes.
18. Dieses Gerät ist nicht zur Benutzung durch Personen (einschließlich Kinder) mit physischen, sensorischen oder mentalen Beeinträchtigungen oder ohne ausreichender Erfahrung vorgesehen, es sei denn, sie werden durch eine verantwortliche Person beaufsichtigt oder wurden in die ordnungsgemäße Bedienung des Gerätes durch eine für ihre Sicherheit verantwortlichen Person eingewiesen.
19. Dieses Produkt ist nur für den nicht-professionellen Gebrauch und nicht für gewerbliche oder industrielle Zwecke bestimmt.
20. Stellen Sie sicher, dass das Gerät in einer stabilen Position aufgestellt ist. Schäden, die durch Verwendung dieses Produkts in einer instabilen Position, durch Vibrationen, Stöße oder Nichtbeachtung der anderen in diesem Handbuch enthaltenen Warnungen und Sicherheitsmaßnahmen entstehen, werden nicht durch die Garantie abgedeckt.
21. Entfernen Sie niemals das Gehäuse dieses Geräts.
22. Stellen Sie dieses Gerät niemals auf andere elektrische Geräte.

23. Halten Sie Kinder von den Plastiktüten fern.
24. Benutzen Sie nur vom Hersteller spezifizierte Erweiterungen/Zubehörteile.
25. Lassen Sie alle Wartungs-/Reparaturarbeiten von qualifiziertem Servicepersonal durchführen. Reparatur/Wartung wird notwendig, wenn das Gerät in irgendeiner Weise wie beispielsweise am Netzkabel oder am Netzstecker beschädigt wurde oder wenn Flüssigkeit in das Gerät gelangt ist bzw. Gegenstände in das Gerät gefallen sind, das Gerät Regen oder Feuchtigkeit ausgesetzt war, es heruntergefallen ist oder nicht ordnungsgemäß funktioniert.
26. Langes Hören lauter Töne aus einem Musikgerät kann zum zeitweiligen oder permanenten Hörverlust führen.
27. Wenn zum Lieferumfang des Produkts ein Netzkabel oder ein Netzadapter gehört:
  - Wenn irgendwelche Probleme auftreten, dann trennen Sie das Gerät vom Stromnetz und setzen Sie sich anschließend mit einer qualifizierten Fachkraft in Verbindung.
  - Treten Sie nicht auf den Netzadapter und klemmen Sie ihn auch nicht ein. Seien Sie besonders im näheren Bereich des Netzsteckers und an der Stelle vorsichtig, an der das Netzkabel aus dem Gerät herausgeführt wird. Stellen Sie keine schweren Gegenstände auf den Netzadapter, weil er dadurch beschädigt werden kann. Halten Sie das gesamte Gerät außerhalb der Reichweite von Kindern! Durch Spielen mit dem Netzkabel können sie sich ernsthafte Verletzungen zuziehen.
  - Trennen Sie das Gerät während eines Gewitters oder bei längerer Nichtbenutzung vom Netz.
  - Die Netzsteckdose muss sich in der Nähe des Geräts befinden und einfach zu erreichen sein.
  - Überlasten Sie Steckdosen und Verlängerungsleitungen nicht. Eine Überlastung kann zu Brandgefahr bzw. Stromschlag führen.
  - Geräte der Schutzklasse 1 müssen Sie an eine Netzsteckdose mit Schutzleiter anschließen.
  - Geräte der Schutzklasse 2 benötigen keinen Schutzleiteranschluss.
  - Halten Sie den Netzstecker in der Hand, wenn Sie ihn aus der Netzsteckdose ziehen. Ziehen Sie ihn nicht durch Ziehen am Kabel heraus. Das kann zu einem Kurzschluss führen.
  - Verwenden Sie weder ein beschädigtes Netzkabel noch einen beschädigten Netzstecker oder eine lockere Steckdose. Missachtung kann zu Brand oder Stromschlag führen.
28. Wenn das Produkt mit einer Fernbedienung mit Batterien/Knopfzellen geliefert wird oder das Produkt eine derartige Fernbedienung umfasst:
 

Warnung:

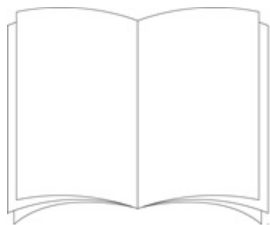
  - Die Batterie nicht einnehmen – Verätzungsgefahr!
  - Die mit diesem Produkt mitgelieferte Fernbedienung enthält eine Knopfzelle. Das Verschlucken der Batterie kann innerhalb von nur 2 Stunden zu schwersten inneren Verbrennungen mit Todesfolge führen.
  - Halten Sie neue und gebrauchte Batterien von Kindern fern.
  - Falls sich das Batteriefach nicht richtig schließen lässt, dann benutzen Sie das Gerät nicht mehr und halten Sie es von Kindern fern.
  - Wenn Sie vermuten, dass Batterien verschluckt oder in eine Körperöffnung eingeführt worden sind, dann suchen Sie umgehend eine/-n Ärztin/Arzt auf.
29. Warnhinweise bzgl. der Verwendung von Batterien:
  - Es besteht Explosionsgefahr, wenn die Batterien nicht ordnungsgemäß ersetzt wird. Tauschen Sie die Batterie nur gegen eine Batterie des gleichen Typs aus.
  - Die Batterie darf während der Benutzung, Aufbewahrung oder des Transports weder sehr hohen oder sehr niedrigen Temperaturen noch niedrigem Luftdruck in großen Höhenlagen ausgesetzt werden.
  - Die Ersetzung der Batterie mit einem falschen Batterietyp kann zum Explodieren der Batterie oder zum Entweichen von entflammbarem Gas oder Auslaufen von entflammbarer Flüssigkeit aus der Batterie führen.
  - Die Entsorgung der Batterie in Feuer oder einem heißen Ofen oder das mechanische Zerkleinern oder Zerteilen der Batterie kann zu Explosionen führen.
  - Das Verbleiben der Batterie in einer Umgebung mit sehr hohen Temperaturen kann zum Explodieren der Batterie oder zum Entweichen von entflammbarem Gas oder Auslaufen von entflammbarer Flüssigkeit aus der Batterie führen.
  - Eine einem sehr niedrigen Luftdruck ausgesetzte Batterie kann explodieren oder es kann aus einer einem sehr niedrigen Luftdruck ausgesetzten Batterie entflammbares Gas entweichen oder entflammbare Flüssigkeit auslaufen.
  - Legen Sie besonderes Augenmerk auf den ökologischen Aspekt der Batterieentsorgung.

#### AUFSTELLEN

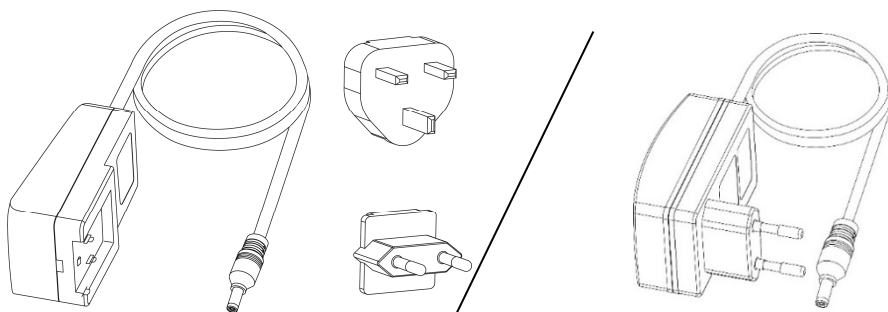
- Packen Sie alle Teile aus und entfernen Sie danach die Schutzmaterialien.
  - Schließen Sie das Gerät nicht eher an das Stromnetz an, bevor Sie die Netzspannung überprüft haben und alle anderen notwendigen Verbindungen hergestellt sind.
- \* **Diese Anleitung gilt nur für Produkte, die über ein Netzkabel oder einen Netzadapter verfügen.**

## Im Lieferumfang enthaltene Zubehörteile:

Bedienungsanleitung

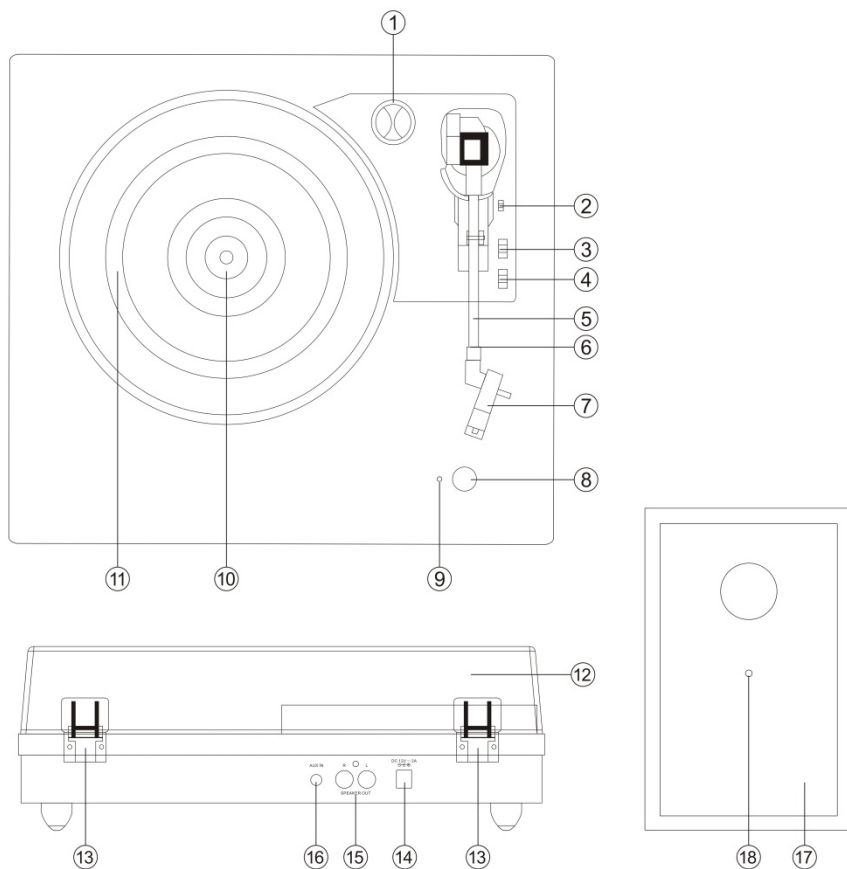


Netzadapter





## 1. PLATTENSPIELERBESTANDTEILE:



1. 45-U/min-Adapter
2. Tonarmlifthebel
3. Schalter automatische Abschaltsteuerung
4. Drehzahlwahlschalter
5. Tonarm
6. Tonarmarretierung
7. Tonkopf mit Tonnadel
8. EIN/AUS/LAUTSTÄRKE-Drehregler
9. Betriebszustandsanzeige-LED
10. Plattentellerspindel
11. Plattenteller
12. Abnehmbarer Staubschutz
13. Scharnier
14. Netzadapterbuchse
15. Buchsen für externe Lautsprecher
16. AUX-Eingangsbuchse
17. Externe Lautsprecher
18. Lautsprecherkabel des externen Lautsprechers

## ANSCHLIESSEN

Zum Lieferumfang dieses Plattenspieler mit Bluetooth-Empfang und Holzlautsprechern gehört ein Netzadapter mit einer Ausgangsleistung von 12 V DC/2,0 A. Dieser Adapter ist für den Betrieb des Geräts notwendig.

Schließen Sie die von den Lautsprechern kommenden Lautsprecherkabel an der Rückseite des Geräts an.

Hinweis: Die Lautsprecherkabel der externen Lautsprecher sind farbkodiert: Schließen Sie das Kabel mit dem roten Stecker an der roten und das Kabel mit dem weißen Stecker an der weißen Lautsprecherausgangsbuchse an.

Stecken Sie den DC-Stecker des Netzadapters sicher und fest in die Buchse DC IN auf der Rückseite des Geräts.

Stecken Sie den Netzstecker des Netzadapters in eine Netzsteckdose mit 220 – 240 V~/50 Hz.

Schalten Sie das Gerät mit Hilfe des EIN/AUS/LAUTSTÄRKE-Drehreglers ein. Die Betriebszustandsanzeige-LED leuchtet.

**Hinweis: Zur Vermeidung des Larsen-Effekts oder von Rückkopplungsgeräuschen können Sie folgendes tun:**

1. **Stellen Sie Ihre Lautsprecher in mindestens 60 cm Entfernung vom Plattenspieler auf.**
2. **Lassen Sie den Staubschutz offen, wenn Sie Schallplatten bei höherer Lautstärke wiedergeben.**

## Einschalten und Auswählen eines Modus

Schalten Sie das Gerät mit Hilfe des EIN/AUS/LAUTSTÄRKE-Drehreglers ein. Es ertönt eine Hinweismelodie, die Ihnen anzeigt, dass sich das Gerät im Bluetooth-Modus befindet.

Der Plattenspieler deaktiviert den Bluetooth-Modus und wechselt in den Schallplattenmodus, sobald Sie den Tonarm auf der Schallplatte aufsetzen. Wenn Sie den Tonarm zurück zur Tonarmaufnahme führen und dort einrasten, dann wechselt der Plattenspieler wieder automatisch in den Bluetooth-Modus.

## 2. Wiedergeben einer Schallplatte

1. Nehmen Sie den Staubschutz ab.
2. Schalten Sie das Gerät mit Hilfe des EIN/AUS/LAUTSTÄRKE-Drehreglers ein. Die Betriebszustandsanzeige-LED leuchtet ROT.
3. Legen Sie eine Schallplatte auf den Plattenteller. Stellen Sie die für die Schallplatte passende Plattentellerdrehzahl ein.

Hinweis: Wenn Sie Singles (45-U/min-Schallplatten) und/oder Schallplatten mit großem Mittelloch wiedergeben möchten, dann verwenden Sie einen Puck (45-U/min-Adapter).

4. Entfernen Sie den Tonnadelschutz.



Entriegeln Sie die Tonarmmarretierung der Tonarmaufnahme. Wenn Sie den Tonarmlifthebel nach hinten drücken, dann wird der Tonarm sanft angehoben. Bewegen Sie nun den Tonarm zu der gewünschten Stelle über der Schallplatte. Wenn der Schalter der automatischen Abschaltsteuerung auf ON steht, dann beginnt sich der Plattenteller zu drehen, wenn der Tonarm in Richtung Schallplatte bewegt wird. Lassen Sie den Tonkopf auf der Schallplatte aufsetzen, indem Sie den Tonarmlifthebel nach vorn drücken. Danach beginnt die Wiedergabe der Schallplatte.

Wenn die Schallplatte bis zu Ende wiedergegeben wurde und der Schalter der automatischen Abschaltsteuerung auf ON steht, dann stoppt die Schallplatte automatisch. Wenn jedoch der Schalter der automatischen Abschaltsteuerung auf OFF steht, dann stoppt die Schallplatte NICHT automatisch, wenn diese bis zu Ende wiedergegeben wurde. In diesem Fall müssen Sie den Tonarmlifthebel nach hinten drücken, um den Tonarm anzuheben und diesen zurück zur Tonarmhalterung zu bewegen. Schalten Sie danach den Plattenspieler aus, um die Rotation des Plattentellers zu beenden.

Hinweis: Sie können die AUTOMATISCHE ABSCHALTUNG für die meisten 33-U/min-Schallplatten benutzen. Bei einigen wenigen Schallplatten jedoch kommt es zur Abschaltung, obwohl das Ende noch gar nicht erreicht wurde oder es kommt nicht zur Abschaltung, obwohl das Ende erreicht wurde, wenn die AUTOMATISCHE ABSCHALTUNG EINGESCHALTET ist.

HINWEIS: Wenn Ihre Schallplatte stoppen sollte, bevor der letzte Titel bis zu Ende abgespielt wurde, dann stellen Sie den Schalter AUTO STOP auf OFF. Ihre Schallplatte wird nun bis zu Ende abgespielt. Allerdings müssen Sie jetzt die Plattentellerrotation manuell stoppen.

HINWEIS: Je nach Schallplattenlänge kann die AUTOMATISCHE STOPPFUNKTION ausgelöst werden, bevor das Ende der Schallplatte erreicht wurde. Verlassen Sie sich bzgl. des automatischen Beendens der Wiedergabe nicht nur auf die AUTOMATISCHE STOPPFUNKTION.

### 3. Wiedergeben über Bluetooth

Mittels der Bluetooth-Funktion können Sie an diesen Plattenspieler ein externes Gerät mit Bluetooth-Konnektivität kabellos anschließen.

1. Schalten Sie das Gerät mit Hilfe des EIN/AUS/LAUTSTÄRKE-Drehreglers ein.
2. Wenn Sie den Plattenspieler einschalten und sich der Tonarm auf der Tonarmaufnahme befindet, dann wird Bluetooth automatisch aktiviert und der Plattenspieler wechselt in den Kopplungsmodus, was Ihnen durch die blinkende LED angezeigt wird.
3. Wenn Sie ein Bluetooth-Gerät mit dem Plattenspieler zum ersten Mal benutzen möchten, dann müssen Sie beide Geräte miteinander koppeln.
4. Aktivieren Sie das Bluetooth Ihres externen Geräts. Warten Sie einen Moment und suchen Sie dann nach dem Gerät mit dem Kopplungsnamen „Lenco LS-100“. Wenn Ihr externes Gerät ein Passwort verlangt (je nach Gerätehersteller, Modell und Softwareversion), dann geben Sie „0000“ ein und bestätigen Sie anschließend Ihre Eingabe mit OK.
5. Wählen Sie zum Herstellen der Verbindung den Bluetooth-Kopplungsnamen aus. Wenn das Verbinden erfolgreich war, dann leuchtet die LED konstant.
6. Ihr Gerät ist nun über Bluetooth mit Ihrem externen Gerät verbunden.
7. Stellen Sie den Lautstärkepegel mit Hilfe des LAUTSTÄRKE-Drehreglers und der Lautstärkeregelung Ihres externen Audiowiedergabegeräts ein.

„Dieses Produkt besitzt eine Bluetooth-Empfangsfunktion. **Sie können mit diesem Gerät kein Bluetooth-Audio an andere Geräte senden**, sondern nur Bluetooth-Audiosignale von externen Signalquellen wie beispielsweise einem Smartphone empfangen.“

#### Wiedergabe des AUX-Eingangs

1. Schließen Sie ein externes Audiowiedergabegerät mit Hilfe eines 3,5-mm-Klinkenkabels (nicht im Lieferumfang enthalten) an der AUX-Eingangsbuchse auf der Rückseite des Geräts an.
2. Schalten Sie das Gerät mit Hilfe des EIN/AUS/LAUTSTÄRKE-Drehreglers ein und stellen Sie anschließend mit Hilfe desselben Drehreglers den gewünschten Lautstärkepegel ein.
3. Stellen Sie den Lautstärkepegel mit Hilfe des EIN/AUS/LAUTSTÄRKE-Drehreglers und der Lautstärkeregelung Ihres externen Audiowiedergabegeräts ein.  
Hinweis: Ihr Gerät bleibt solange im AUX-Modus, solange der Klinkenstecker in der AUX-Eingangsbuchse steckt. Ziehen Sie den Klinkenstecker aus der AUX-Eingangsbuchse heraus, um den AUX-Modus zu beenden und entweder in den Schallplatten- oder den Bluetooth-Modus zu wechseln.

Automatisches Standby zum Energiesparen (CE-Richtlinie): **Wenn für ±15 Minuten an Ihrem LS-100 kein Audiosignal anliegt (Schallplatten- oder Bluetooth-Modus), dann wechselt er automatisch in den Standby-Modus. Wenn Sie das sich im Standby befindliche Gerät wieder einschalten möchten, dann können Sie:**

- Entweder den Tonarm über den Plattenteller mit Schallplatte bewegen, um die Wiedergabe zu starten;
- Oder das Gerät mit Hilfe des EIN/AUS/LAUTSTÄRKE-Drehreglers zuerst aus- und anschließend wieder einschalten.

#### ERSETZEN DER TONNADEL

Folgen Sie für das Ersetzen der Tonnadel der nachfolgenden Anleitung.

Entnehmen der Tonnadel aus dem Tonkopf

1. Setzen Sie einen Schraubendreher an der Spitze der Tonabnehmernadel an. Drücken Sie dann wie in der Abbildung gezeigt nach unten in Richtung „A“.
2. Nehmen Sie danach die Tonabnehmernadel ab, indem Sie ziehen und nach unten drücken.

### Einsetzen der Tonabnehmernadel

1. Halten Sie die Tonabnehmernadel an der Spitze und setzen Sie dann die Tonabnehmernadel ein, indem Sie diese wie abgebildet in Richtung „B“ drücken.
2. Drücken Sie nun die Tonabnehmernadel in Richtung „C“ nach oben, bis die Tonabnehmernadel in der für die Nadel vorgesehenen Position einrastet.



Föhrungsstifte (innen)

### HINWEISE

Wir empfehlen Ihnen, Ihre Schallplatten mit einem antistatischen Tuch zu reinigen, um maximales Musikerlebnis von den Schallplatten zu erhalten.

Wir möchten Sie aus selben Grund darauf hinweisen, Ihre Tonnadel regelmäÙig (ungefähr alle 250 Wiedergabestunden) zu wechseln.

Lenco	
Plattenteller	LS-100
Typ	Riemengetrieben, manuell vollständig regelbar
Antriebsmotor	Gleichstrommotor
Umdrehungen	33, 45 und 78 U/min
Plattenteller	200 mm
Bluetooth-	
Version	5.0
Frequenzbereich	2402 MHz – 2480 MHz
Maximale Sendeleistung	< 8 dBm
Allgemein	
NETZADAPTER	Eingang 100 – 240 V~ / 50/60 Hz / 0,8 A Ausgang 12 V DC/2 A
PRODUKT	12 V DC/2 A
Leistungsaufnahme	24 W
Abmessung	Plattenspieler: 340 x 320 x 100 mm; Lautsprecher: 130 x 120 x 200 mm
Gewicht	Ca. 4,12 kg

### Netzadapter

Hersteller: SHENZHEN SHI GUANGKAIYUAN TECHNOLOGY., LTD.

Modellnummer: GKYZTo200120KH / GKYZDo200120EU

## Verwenden Sie nur die in der Bedienungsanleitung angegebene Stromversorgung

Informationen	Werte und detaillierte Angaben
Name des Herstellers oder der Handelsmarke, kommerzielle Zulassung und Anschrift	<b>SHENZHEN SHI GUANGKAIYUAN TECHNOLOGY., LTD.</b> 2 floor, 41 TianSheng Road, TianLiao village, GongMing Street, Guangming, Shenzhen, Guangdong, P. R. China
Modellidentifikator	<b>GKYZT0200120KH / GKYZD0200120EU</b>
Eingangsspannung	100 – 240 V
Wechselstromfrequenz des AC-Eingangs	50 – 60 Hz
Ausgangsspannung	12 V DC
Ausgangsstrom	2 A
Ausgangsleistung	24 W
Durchschnittliche Effizienz bei Normallast	86,66 %
Effizienz bei Niederlast (10 %)	84,42 %
Leistungsaufnahme bei Nulllast	0,08 W

## Garantie

Lenco bietet Leistungen und Garantien im Einklang mit Europäischem Recht. Setzen Sie sich deshalb im Falle von Reparaturen (sowohl während als auch nach Ablauf der Garantiezeit) mit Ihrem Fachhändler in Verbindung.

Wichtiger Hinweis: Es ist nicht möglich, Produkte für Reparaturen direkt an Lenco zu schicken.

Wichtiger Hinweis: Wenn dieses Gerät für welchen Grund auch immer durch ein nicht offizielles Servicezentrum geöffnet wurde oder durch dieses Servicezentrum darauf zugegriffen wurde, erlischt die Garantie.

Dieses Gerät ist nicht für professionelle Zwecke geeignet. Falls das Gerät für professionelle Zwecke eingesetzt wird, erlöschen alle Garantieverpflichtungen seitens des Herstellers.

## Haftungsausschluss

Aktualisierungen der Firmware und/oder Hardware-Komponenten werden regelmäßig durchgeführt. Aus diesem Grund können einige der Anleitungen, Spezifikationen und Abbildungen in dieser Dokumentation zu dem Ihnen vorliegenden Gerät leicht abweichen. Alle in diesem Handbuch beschriebenen Elemente dienen nur zur Illustration und treffen auf Ihre individuelle Situation möglicherweise nicht zu. Aus der in diesem Handbuch getätigten Beschreibung können keine Rechtsansprüche oder Leistungsanforderungen geltend gemacht werden.

## Entsorgung des Altgeräts



Dieses Symbol zeigt an, dass das entsprechende Produkt oder dessen Akku/Batterie in Europa nicht mit dem normalen Hausmüll entsorgt werden darf. Um die ordnungsgemäße Abfallbehandlung des Produkts und dessen Akku/Batterie zu gewährleisten, müssen diese im Einklang mit allen anwendbaren örtlichen Vorschriften zur Entsorgung von Elektrogeräten und Akkus/Batterien entsorgt werden. Dabei helfen Sie, natürliche Ressourcen zu schonen und Umweltschutzstandards zur Verwertung und Entsorgung von Altgeräten aufrecht zu halten (Richtlinie über Entsorgung Elektrischer und Elektronischer Altgeräte).

## ÜBEREINSTIMMUNGSERKLÄRUNG

Hiermit erklärt Commaxx, dass der Funkanlagentyp [Lenco LS-100] der Richtlinie 2014/53/EU entspricht. Der vollständige Text der EU-Konformitätserklärung ist unter der folgenden Internetadresse verfügbar:

[https://commaxx-certificates.com/doc/ls-100\\_doc.pdf](https://commaxx-certificates.com/doc/ls-100_doc.pdf)

Typ HF	Frequenzbereich (MHz)	Sendeleistung (dBm)
Bluetooth	2402-2480	< 6

## Service

Besuchen Sie bitte für weitere Informationen und unseren Kundendienst unsere Homepage unter [www.lenco.com](http://www.lenco.com)  
Commaxx B.V. Wiebachstraat 37, 6466 NG Kerkrade, The Netherlands.

**ATTENTION :**

L'utilisation de commandes ou de réglages ou l'exécution de procédures autres que celles spécifiées dans ce manuel peut entraîner une exposition à des rayonnements dangereux.

**PRÉCAUTIONS AVANT UTILISATION****GARDEZ CES INSTRUCTIONS À L'ESPRIT :**

1. Ne couvrez pas et n'obturez pas les ouvertures de ventilation. Lorsque vous placez l'appareil sur une étagère, laissez 5 cm (2") d'espace libre tout autour de l'appareil.
2. Installez-le conformément au mode d'emploi fourni.
3. Gardez l'appareil à l'écart des sources de chaleur telles que des radiateurs, appareils de chauffage, fours, bougies et autres produits générant de la chaleur ou une flamme nue. L'appareil ne peut être utilisé que dans des climats modérés. Les environnements extrêmement froids ou chauds doivent être évités. Température de fonctionnement entre 0° et 35° C.
4. Évitez d'utiliser l'appareil à proximité de champs magnétiques puissants.
5. Des décharges électrostatiques peuvent perturber le fonctionnement de cet appareil. Dans ce cas, il suffit de réinitialiser et de redémarrer l'appareil en suivant le mode d'emploi. Pendant le transfert de fichiers, manipulez l'appareil avec précaution et faites-le fonctionner dans un environnement sans électricité statique.
6. Mise en garde ! N'introduisez jamais un objet dans l'appareil par les ouvertures et les fentes de ventilation. Étant donné que des tensions élevées sont présentes à l'intérieur du produit, l'insertion d'un objet peut entraîner une électrocution et/ou court-circuiter les composants internes. Pour les mêmes raisons, ne versez pas de l'eau ou un liquide sur le produit.
7. Ne l'utilisez pas dans des endroits humides tels qu'une salle de bain, une cuisine pleine de vapeur ou à proximité d'une piscine.
8. L'appareil ne doit pas être exposé à des écoulements ou des éclaboussures et aucun objet contenant un liquide, tel qu'un vase, ne doit être posé sur ou près de l'appareil.
9. N'utilisez pas cet appareil lorsque de la condensation est possible. Lorsque l'appareil est utilisé dans une pièce chaude et humide, des gouttelettes d'eau ou de la condensation peuvent se former à l'intérieur de l'appareil et affecter son fonctionnement adéquat. Si tel est le cas, laissez l'appareil hors tension pendant 1 ou 2 heures avant de le mettre en marche : l'appareil doit être sec avant toute remise en marche.
10. Bien que ce dispositif soit fabriqué avec le plus grand soin et contrôlé à plusieurs reprises avant de quitter l'usine, des problèmes peuvent néanmoins survenir, comme avec tous les appareils électriques. Si l'appareil émet de la fumée ou en cas d'accumulation excessive de la chaleur ou d'un phénomène inattendu, débranchez immédiatement la fiche d'alimentation du secteur.
11. Cet appareil doit fonctionner avec la source d'alimentation indiquée sur la plaque signalétique. Si vous n'êtes pas sûr du type d'alimentation utilisé chez vous, contactez votre revendeur ou le fournisseur local d'électricité.
12. Tenez l'appareil à l'abri des animaux. Certains animaux aiment mordre sur les cordons électriques.
13. Pour nettoyer l'appareil, servez-vous d'un chiffon doux et sec. N'utilisez pas de solvant ni d'autre liquide à base de pétrole. Pour enlever les taches importantes, vous pouvez vous servir d'un chiffon humide imbibé d'une solution de détergent diluée.
14. Le fournisseur n'est pas responsable des dommages ou pertes de données causés par un dysfonctionnement, une utilisation abusive, une modification de l'appareil ou un remplacement de la batterie.
15. N'interrompez pas la connexion lorsque l'appareil formate ou transfère des fichiers. Dans le cas contraire, les données pourraient être endommagées ou perdues.
16. Si l'appareil a une fonction de lecture USB, il faut brancher la clé USB directement sur l'appareil. N'utilisez pas un câble d'extension USB, car cela peut causer des interférences entraînant des pertes de données.
17. La plaque signalétique se situe en dessous ou à l'arrière de l'appareil.
18. Cet appareil ne doit pas être utilisé par des personnes (enfants compris) souffrant de handicaps physiques, sensoriels ou mentaux, ou manquant d'expérience et de connaissances, sauf si elles sont sous surveillance ou ont reçu des instructions sur l'utilisation correcte de l'appareil par la personne qui est responsable de leur sécurité.
19. Ce produit est conçu pour un usage non professionnel, et non commercial ou industriel.
20. Vérifiez que l'appareil est en position stable. La garantie ne couvre pas les dégâts occasionnés par l'utilisation de cet appareil en position instable, par les vibrations, les chocs ou par la non-observation de tout autre avertissement ou précaution contenus dans ce mode d'emploi.
21. N'ouvrez jamais cet appareil.
22. Ne placez jamais cet appareil sur un autre appareil électrique.
23. Ne laissez pas les sacs en plastique à la portée des enfants.

24. Utilisez uniquement les accessoires recommandés par le fabricant.
25. Confiez l'entretien et les réparations à un personnel qualifié. Une réparation est nécessaire lorsque l'appareil a été endommagé de quelque façon que ce soit, par exemple lorsque le cordon d'alimentation ou la prise sont endommagés, lorsqu'un liquide s'est déversé ou des objets ont été introduits dans l'appareil, lorsque l'appareil a été exposé à la pluie ou à l'humidité, lorsqu'il ne fonctionne pas correctement ou est tombé.
26. Une exposition prolongée à la musique avec un volume élevé peut entraîner une perte auditive temporaire ou permanente.
27. Si l'appareil est livré avec un câble d'alimentation ou un adaptateur secteur :
  - En cas de problème, débranchez le cordon d'alimentation CA et confiez l'entretien à un personnel qualifié.
  - Ne marchez pas sur l'adaptateur secteur ou ne le coincez pas. Faites très attention, en particulier à proximité des fiches et du point de sortie du câble. Ne placez pas d'objets lourds sur l'adaptateur secteur, car ils pourraient l'endommager. Gardez l'appareil hors de portée des enfants ! Ils pourraient se blesser gravement s'ils jouent avec le câble d'alimentation.
  - Débranchez cet appareil pendant les orages ou lorsqu'il n'est pas utilisé pendant une longue durée.
  - La prise secteur doit être installée près de l'appareil et doit être facilement accessible.
  - Ne surchargez pas les prises de courant ou les rallonges. Une surcharge peut entraîner un incendie ou une électrocution.
  - Les appareils de classe 1 doivent être branchés à une prise de courant disposant d'une connexion protectrice à la terre.
  - Les appareils de classe 2 ne nécessitent pas de connexion à la terre.
  - Tirez toujours sur la fiche pour débrancher le cordon de la prise secteur. Ne tirez pas sur le cordon d'alimentation. Cela pourrait provoquer un court-circuit.
  - N'utilisez pas un cordon ou une fiche d'alimentation endommagé ni une prise desserrée. Vous courez un risque d'incendie ou de décharge électrique.
28. Si le produit contient ou est livré avec une télécommande contenant des piles boutons :
 

Avertissement :

  - « N'ingérez pas la pile, car vous risquez une brûlure chimique » ou une formule équivalente.
  - [La télécommande fournie avec] Ce produit contient une pile bouton. Si la pile est avalée, elle peut causer de graves brûlures internes en seulement 2 heures et peut entraîner la mort.
  - Tenez les piles neuves et usagées hors de portée des enfants.
  - Si le compartiment à piles ne se ferme pas correctement, cessez d'utiliser l'appareil et tenez-le hors de portée des enfants.
  - Si vous pensez que les piles ont été avalées ou placées à l'intérieur d'une partie du corps, consultez un médecin immédiatement.
29. Mise en garde relative à l'utilisation des piles :
  - Risque d'explosion si la pile est mal remplacée. Remplacez les piles par des piles d'un type identique ou équivalent.
  - Pendant l'utilisation, le stockage ou le transport, la pile ne doit pas être soumise à des températures extrêmement élevées ou basses, à une faible pression d'air à haute altitude.
  - Le remplacement d'une pile par une autre de type incorrect peut entraîner une explosion ou une fuite de liquide ou de gaz inflammable.
  - L'introduction d'une pile dans le feu ou dans un four chaud, l'écrasement ou le découpage mécanique peut entraîner une explosion.
  - L'exposition d'une pile dans un environnement à température extrêmement élevée peut entraîner une explosion ou une fuite de liquide ou de gaz inflammable.
  - L'exposition d'une pile à une pression d'air extrêmement basse peut entraîner une explosion ou une fuite de liquide ou de gaz inflammable.
  - Veuillez considérer les questions environnementales lors de la mise au rebut des piles.

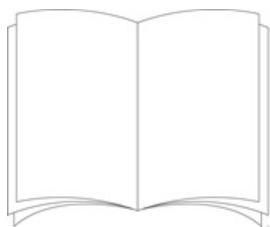
## INSTALLATION

- Déballez toutes les pièces et enlevez le matériau de protection.
  - Ne connectez pas l'unité au secteur avant d'avoir vérifié la tension du secteur et avant que toutes les autres connexions n'aient été effectuées.
- \* **Ces instructions s'appliquent uniquement aux produits utilisant un câble d'alimentation ou un adaptateur secteur.**

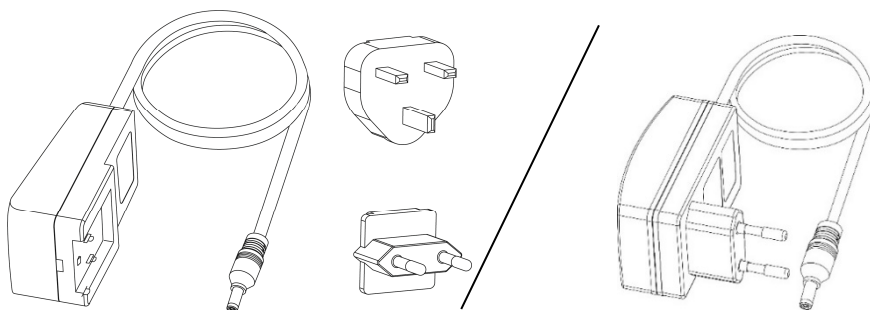


## Accessoires fournis :

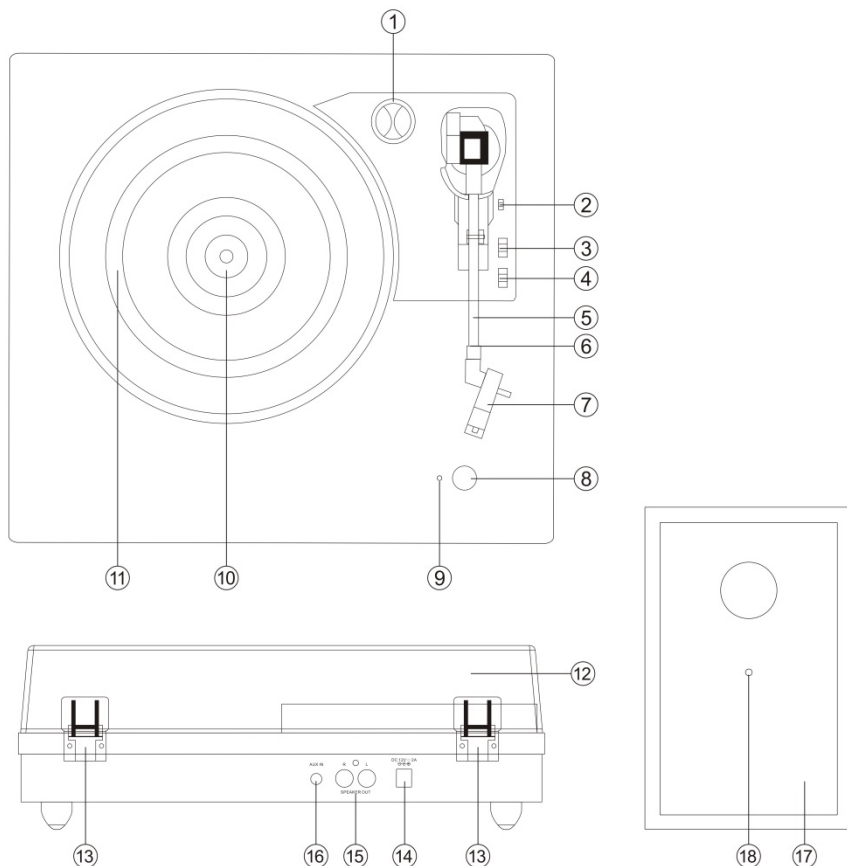
Mode d'emploi



Adaptateur de puissance



## 1. PIÈCES DU TOURNE-DISQUE :



1. Adaptateur de 45 TOURS
2. Levier de levage
3. Interrupteur de commande d'arrêt automatique
4. Sélecteur de vitesse
5. Bras de lecture
6. Blocage du bras de lecture
7. Photocapteur
8. Molette D'ALIMENTATION/DE RÉGLAGE DU VOLUME
9. Voyant de puissance
10. Arbre du tourne-disque
11. Plateau
12. Capôt anti-poussière amovible
13. Charnière
14. Prise de l'adaptateur d'alimentation
15. Prises du haut-parleur externe
16. Prise d'entrée Aux
17. Haut-parleurs externes
18. Câble d'enceinte sur l'enceinte externe

## INSTALLATION

Un adaptateur CA/CC avec une sortie de 12 V CC 2,0A est fourni avec ce tourne-disque avec réception Bluetooth et enceintes en bois. L'adaptateur est nécessaire pour faire fonctionner l'appareil.

Connectez les câbles de chaque enceinte à l'arrière de l'appareil

Remarque : Les câbles des enceintes externes sont codés par couleur, le câble avec le connecteur rouge doit être placé dans le trou rouge et le câble blanc dans le trou blanc.

Insérez fermement la fiche CC de l'adaptateur dans la prise d'entrée CC à l'arrière de l'appareil.

Branchez les fiches CA de l'adaptateur dans une prise de courant de 220-240 V CA ~ 50 Hz.

Allumez l'appareil à l'aide de la molette D'ALIMENTATION/DE RÉGLAGE DU VOLUME. Le voyant d'alimentation s'allume.

**Remarque : Pour éviter l'effet Larsen ou un bruit de retour, vous pouvez effectuer les opérations suivantes :**

1. **Placez vos haut-parleurs à une distance minimale de 60 cm ou plus de votre tourne-disque**
2. **Laissez le couvercle ouvert lorsque vous écoutez à haut volume**

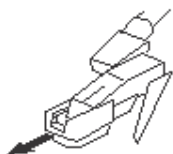
## Mise en marche et sélection de mode

Allumez l'appareil à l'aide de la molette D'ALIMENTATION/DE RÉGLAGE DU VOLUME. Vous entendrez un son d'indication, ce qui signifie que l'appareil est en mode Bluetooth.

Une fois que vous avez placé le bras de lecture sur le vinyle, le tourne-disque passe en mode vinyle et le mode Bluetooth se désactive automatiquement. Placez le bras de lecture sur le support pour repasser en mode Bluetooth.

## 2. Écouter un disque

1. Soulevez le capôt anti-poussière.
2. Allumez l'appareil à l'aide de la molette D'ALIMENTATION/DE RÉGLAGE DU VOLUME. Le voyant d'alimentation s'allume en rouge.
3. Placez un disque sur le plateau du tourne-disque et réglez la vitesse du lecteur afin qu'elle corresponde à celle du disque.  
Remarque : En lisant un single (45 tours) ou des disques avec un grand trou central, utilisez l'adaptateur de 45 tours.
4. Retirez le couvercle de protection de la cartouche de l'aiguille



Libérez le verrouillage du bras de tonalité du support du bras de lecture. Poussez le levier de levage vers l'arrière et le bras de lecture se lèvera délicatement. Déplacez soigneusement le bras de lecture pour le mettre dans la position voulue sur le disque et le plateau du tourne-disque commencera à tourner quand le bras est rapproché si l'interrupteur de commande d'arrêt automatique est réglé sur ON. Relâchez le bras de lecture sur le tourne-disque en poussant le levier de levage vers l'avant et le disque vinyle commencera à se lire.

Si l'interrupteur de commande d'arrêt automatique est mis sur ON, le disque s'arrêtera automatiquement quand il sera fini. Si l'interrupteur de commande d'arrêt automatique est mis sur OFF, le disque ne s'arrêtera PAS automatiquement quand il sera fini, vous devrez pousser le levier de levage vers l'arrière pour soulever le bras de lecture et le remettre en place dans son support puis couper l'alimentation pour que le tourne-disque arrête de tourner.

Remarque : La fonction ARRÊT AUTO s'applique à la plupart des disques vinyle 33 tours. Cependant, pour quelques rares disques vinyle, il s'arrêtera quand il n'arrive pas à la fin ou il s'arrête en arrivant à la fin quand la fonction ARRÊT AUTO est activée.

REMARQUE : Si votre disque s'arrête avant la fin du dernier morceau, mettez l'interrupteur AUTO STOP sur OFF. Votre disque sera maintenant lu jusqu'à la fin, mais vous devrez arrêter la rotation du tourne-disque manuellement.

REMARQUE : En fonction de la durée du disque, l'arrêt automatique peut être activé avant la fin de l'enregistrement. Ne comptez pas uniquement sur AUTO STOP pour arrêter la lecture.

### 3. Écouter via Bluetooth

Un appareil externe doté de la connectivité Bluetooth, comme un smartphone ou une tablette, peut être connecté sans fil à ce tourne-disque grâce à la fonction Bluetooth.

1. Allumez l'appareil à l'aide de la molette D'ALIMENTATION/DE RÉGLAGE DU VOLUME.
2. Lorsque le tourne-disque est allumé et que le bras de lecture est placé sur le support, le mode Bluetooth s'active automatiquement et l'appareil passe en mode d'appairage, le voyant LED clignote
3. Vous devez les coupler votre appareil Bluetooth avec le tourne-disque lorsque vous utilisez les deux ensemble pour la première fois.
4. Activez le réglage Bluetooth de votre appareil externe. Patientez quelques instants, puis recherchez le nom d'appairage Bluetooth « Lenco LS-100 ». Si votre appareil vous demande un mot de passe (selon le fabricant de l'appareil, le modèle et la version du logiciel), entrez les chiffres « 0000 » et appuyez sur OK.
5. Sélectionnez le nom d'appariement Bluetooth pour connecter l'appareil. Une fois la connexion établie, le voyant lumineux arrête de clignoter.
6. Vous êtes maintenant connecté à votre appareil externe par Bluetooth.
7. Tournez le bouton de commande du volume pour ajuster le niveau sonore et réglez le volume sur votre appareil audio externe.

« Ce produit est doté d'une fonction de **réception** bluetooth, **vous ne pouvez pas l'utiliser pour transmettre un son bluetooth** : cela signifie que vous pouvez recevoir sans fil un signal sonore bluetooth d'une source externe comme un smartphone. »

#### Ecouter via l'entrée auxiliaire

1. À l'aide d'un câble stéréo de 3,5 mm (non fourni), connectez un appareil audio externe à la prise AUX IN à l'arrière de l'appareil.
2. Allumez l'appareil à l'aide de la molette D'ALIMENTATION/DE RÉGLAGE DU VOLUME et réglez le volume à un niveau approprié.
3. Utilisez la fonction de la molette D'ALIMENTATION/DE RÉGLAGE DU VOLUME pour régler le volume et utilisez les commandes de l'appareil audio externe pour contrôler les fonctions de lecture/volume  
Remarque : Lorsque la fiche Aux est insérée avec le câble, le LS-100 reste en mode Aux, vous devez débrancher le câble pour quitter le mode Aux si vous voulez écouter de la musique d'un disque ou via Bluetooth

Mise en veille automatique pour l'économie d'énergie (règlement CE) : **Le LS-100 se met automatiquement en veille s'il n'y a pas de signal audio (disque ou Bluetooth) pendant +/- 15 minutes. Pour réactiver l'appareil, vous avez le choix entre les options ci-dessous :**

**Déplacez le bras de lecture vers le plateau du tourne-disque avec le disque pour commencer la lecture.**

**Tournez la molette D'ALIMENTATION/DE RÉGLAGE DU VOLUME sur OFF et ON à nouveau.**

#### COMMENT CHANGER LA TÊTE DE LECTURE

Pour changer la tête de lecture, consultez les instructions ci-dessous.

Démontage de la tête de lecture hors de la cartouche

1. Placez un tournevis sur la pointe de la tête de lecture et poussez vers le bas comme indiqué dans le sens « A ».
2. Enlevez la tête de lecture en la tirant vers l'avant et en poussant vers le bas.

Installation de la tête de lecture

1. Tenez la pointe de la tête de lecture et insérez la tête de lecture en appuyant comme indiqué dans le sens « B ».
2. Poussez la tête de lecture vers le haut comme indiqué dans le sens « C » jusqu'à ce que la tête de lecture se bloque dans la position de la pointe.



Tiges de guidage (internes)

#### REMARQUE

Nous vous conseillons de nettoyer vos disques avec un tissu anti-statique afin de les apprécier au mieux.  
Remarque : pour la même raison, votre tête de lecture doit être changée périodiquement (environ toutes les 250 heures de lecture).

Lenco	
Tourne-disque	LS-100
Type	Entraînement par courroie, entièrement manuel
Moteur d'entraînement	Moteur CC
Vitesse	33, 45, 78 tr/min
Plateau	200 mm
Bluetooth	
Version	5.0
Plage de fréquence	2402MHz à 2480MHz
Puissance de transmission maximale	<8 dbm
Caractéristiques Générales	
ADAPTATEUR	Entrée : CA 100 à 240 V, ~ 50/60 Hz, 0,8 A
	Sortie 12 VCC-2 A
PRODUIT	12 VCC-2 A
Puissance consommée	24 W
Dimensions	340 x 320 x 100 mm pour l'unité principale ; 130 x 120 x 200 mm pour l'enceinte
Poids	env. 4,12 kg

#### Adaptateur de puissance

Fabricant : SHENZHEN SHI GUANGKAIYUAN TECHNOLOGY., LTD.

Numéro du modèle : GKYZTo200120KH / GKYZDo200120EU

## Utilisez uniquement l'alimentation électrique indiquée dans le mode d'emploi.

Informations	Valeur et précision
Nom ou marque du fabricant, enregistrement commercial et adresse	<b>SHENZHEN SHI GUANGKAIYUAN TECHNOLOGY., LTD.</b> 2 floor, 41 TianSheng Road, TianLiao village, GongMing Street, Guangming, Shenzhen, Guangdong, P.R.Chine
Référence du modèle	<b>GKYZT0200120KH / GKYZD0200120EU</b>
Tension d'entrée	100-240 V
Fréquence du CA d'entrée	50-60 Hz
Tension de sortie	12 Vcc
Courant de sortie	2 A
Puissance de sortie	24 W
Rendement moyen en mode actif	86,66 %
Rendement à faible charge (10 %)	84,42 %
Consommation électrique sans charge	0,08

## Garantie

Lenco propose un service et une garantie conformément à la législation européenne, ce qui signifie qu'en cas de besoin de réparation (aussi bien pendant et après la période de garantie), vous pouvez contacter votre revendeur le plus proche.

Remarque importante : Il n'est pas possible de renvoyer l'appareil pour réparation directement à Lenco.

Remarque importante : si l'appareil est ouvert ou modifié de quelque manière que ce soit par un réparateur non agréé, la garantie sera caduque.

Cet appareil ne convient pas à une utilisation professionnelle. En cas d'utilisation professionnelle, les obligations de garantie du fabricant seront annulées.

## Clause de non-responsabilité

Des mises à jour du logiciel et/ou des composants informatiques sont régulièrement effectuées. Il se peut donc que certaines instructions, caractéristiques et images présentes dans ce document diffèrent légèrement de votre configuration spécifique. Tous les articles décrits dans ce guide sont fournis uniquement à des fins d'illustration et peuvent ne pas s'appliquer à une configuration spécifique. Aucun droit légal ne peut être obtenu depuis les informations contenues dans ce manuel.

## Mise au rebut de l'appareil usagé



Ce symbole indique que le produit électrique concerné ainsi que les piles ne doivent pas être jetés avec les autres déchets ménagers en Europe. Pour garantir un traitement correct des piles et de l'appareil usagés, veuillez les mettre au rebut conformément aux réglementations locales en vigueur en matière d'appareils électriques et autres piles. En agissant de la sorte, vous contribuerez à la préservation des ressources naturelles et à l'amélioration des niveaux de protection environnementale concernant le traitement et la destruction des déchets électriques (directive sur les déchets des équipements électriques et électroniques).

### DECLARATION DE CONFORMITE

Le soussigné, Commaxx, déclare que l'équipement radioélectrique du type [Lenco LS-100] est conforme à la directive 2014/53/UE. Le texte complet de la déclaration UE de conformité est disponible à l'adresse internet suivante:

[https://commaxx-certificates.com/doc/ls-100\\_doc.pdf](https://commaxx-certificates.com/doc/ls-100_doc.pdf)

Type RF	Bande de fréquences (MHz)	Puissance (dBm)
Bluetooth	2402-2480	< 6

### Service après-vente

Pour en savoir plus et obtenir de l'assistance, visitez [www.lenco.com](http://www.lenco.com)  
Commaxx B.V. Wiebachstraat 37, 6466 NG Kerkrade, Pays-Bas.

**PRECAUCIÓN:**

El uso de los controles o ajustes o el funcionamiento de los procedimientos excepto a aquellos especificados aquí pueden provocar una exposición peligrosa a la radiación.

**PRECAUCIONES PREVIAS AL USO****TENGA ESTAS INSTRUCCIONES EN MENTE:**

1. No cubra o bloquee ninguna apertura de ventilación. Cuando coloque el dispositivo en una estantería, deje 5 cm (2") de espacio libre alrededor de todo el dispositivo.
2. Instálelo conforme al manual de usuario que se adjunta.
3. Mantenga el aparato alejado de fuentes de calor, como radiadores, calentadores, estufas, velas u otros productos que generen calor o llama viva. El aparato solo puede usarse en climas moderados. Se deben evitar los ambientes extremadamente fríos o cálidos. Temperatura de funcionamiento entre 0 ° y 35 °C.
4. Evite usar el dispositivo cerca de campos magnéticos fuertes.
5. Una descarga electrostática puede entorpecer el uso normal de este dispositivo. En tal caso, simplemente reinicielo siguiendo el manual de instrucciones. Durante la transmisión de archivos, por favor manéjelo con cuidado opérelo en un entorno libre de electricidad estática.
6. ¡Advertencia! Nunca inserte un objeto en el producto a través de las ventilaciones o aperturas. Alto voltaje fluye a través del producto e insertar un objeto puede provocar una descarga eléctrica y/o un cortocircuito de sus componentes internos. Por el mismo motivo, no derrame agua o líquidos en el producto.
7. No lo utilice en zonas húmedas, como cuartos de baño, cocinas en las que se forme vapor ni cerca de piscinas.
8. El aparato no debe exponerse a goteos o salpicaduras y asegúrese de que se colocan sobre o cerca del aparato objetos llenos de líquidos, como jarrones.
9. No use este dispositivo cuando se pueda producir condensación. Cuando utilice la unidad en una habitación húmeda y cálida con humedad, pueden generarse gotas de agua o condensación dentro de la unidad y es posible que no funcione correctamente; apague la unidad durante 1 o 2 horas antes de encenderla de nuevo: el aparato debe estar seco antes de conectarse a una fuente de alimentación.
10. Aunque este dispositivo está fabricado con el máximo cuidado y comprobado varias veces antes de salir de fábrica, todavía es posible que se puedan producir problemas, al igual que con todos los aparatos eléctricos. Si observa la aparición de humo, una acumulación excesiva de calor o cualquier otro fenómeno inesperado, deberá desconectar inmediatamente el enchufe de la toma de corriente.
11. Este dispositivo debe funcionar con una fuente de alimentación que se especifica en la etiqueta de especificaciones. Si no está seguro del tipo de alimentación que se usa en su hogar, consulte con el distribuidor o una compañía eléctrica local.
12. Manténgalo alejado de los animales. A algunos animales les gusta morder los cables de alimentación.
13. Para limpiar el dispositivo use un paño seco y suave. No utilice líquidos disolventes ni con base de petróleo. Para eliminar manchas difíciles, puede usar un paño húmedo con detergente diluido.
14. El proveedor no asume ninguna responsabilidad por daños o datos perdidos provocados por un funcionamiento incorrecto, uso incorrecto, modificación del dispositivo o sustitución de la batería.
15. No interrumpa la conexión cuando el dispositivo esté formateando o transfiriendo archivos. En caso contrario, los datos se pueden estropear o perder.
16. Si la unidad dispone de función de reproducción USB, se debe conectar la memoria USB directamente en la unidad. No utilice cables de extensión USB ya que pueden crear interferencias que causen una pérdida de datos.
17. La etiqueta de calificación aparece marcada en el panel inferior o posterior del dispositivo.
18. Este aparato no está diseñado para su uso por personas (incluyendo niños) con discapacidades físicas, sensoriales o mentales o con falta de experiencia o conocimientos, salvo que estén bajo la supervisión o hayan recibido formación sobre el uso correcto del dispositivo por parte de una persona responsable de su seguridad.
19. Este producto está diseñado para un uso no profesional únicamente y no para un uso comercial o industrial.
20. Asegúrese de que la unidad esté fijada en una posición estable. La garantía no cubrirá los daños derivados de usar este producto en una posición inestable, vibraciones o golpes o por no seguir otras advertencias o precauciones que aparecen en este manual de usuario.
21. Nunca retire la carcasa del dispositivo.
22. Nunca coloque este dispositivo sobre otro equipo eléctrico.
23. Mantenga las bolsas de plástico fuera del alcance de los niños.
24. Use únicamente los dispositivos/accesorios especificados por el fabricante.



25. Remita todas las reparaciones al personal cualificado. Es necesario el mantenimiento cuando el dispositivo presenta daños en cualesquiera manera, como el cable de alimentación o el enchufe, cuando se haya vertido líquido o se hayan caído objetos en el dispositivo, cuando el dispositivo se haya expuesto a la lluvia o humedad, cuando no funcione normalmente o cuando se haya caído.
26. Una larga exposición a sonidos elevados de reproductores de música personales puede provocar una pérdida de audición temporal o permanente.
27. Si el producto viene con un cable de alimentación o un adaptador de corriente de CA:
  - Si se produce cualquier problema, desconecte el cable de alimentación CA y remítase al mantenimiento de personal cualificado.
  - No pise o pince el adaptador de alimentación. Tenga mucho cuidado, en especial cerca de las tomas y el punto de salida del cable. No coloque objetos pesados en el adaptador de alimentación, ya que pueden dañarlo. ¡Mantenga el dispositivo fuera del alcance de los niños! Si juegan con el cable de alimentación, puede sufrir lesiones graves.
  - Desconecte el dispositivo durante tormentas eléctricas o cuando no vaya a usarse durante períodos prolongados de tiempo.
  - La salida de la toma debe instalarse cerca del equipo y debe ser fácilmente accesible.
  - No sobrecargue las tomas CA o los cables de extensión. La sobrecarga puede provocar un incendio o una descarga eléctrica.
  - Los dispositivos con construcción de Clase 1 deben estar conectados a una toma de corriente con una conexión a tierra protegida.
  - Los dispositivos con construcción Clase 2 no requieren una conexión a tierra.
  - Sujete siempre el enchufe cuando los extraiga de la toma de corriente. No tire del cable de alimentación. Esto puede provocar un cortocircuito.
  - No utilice un cable de alimentación o enchufe deteriorado o una toma suelta. Si lo hace, podría provocar un incendio o una descarga eléctrica.
28. Si el producto contiene o se entrega con un mando a distancia que contiene pilas de botón / celdas:
 

Advertencia:

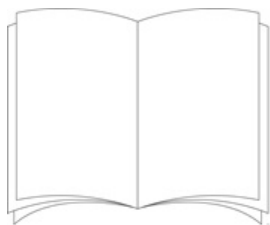
  - “Ni ingiera la pila, riesgo de quemadura química” o frase equivalente.
  - [El mando a distancia que se suministra] Este producto contiene una pila de tipo botón/moneda. Si la pila se traga, puede provocar graves quemaduras internas en sólo 2 horas y podría ocasionar la muerte.
  - Mantenga las pilas nuevas o usadas fuera del alcance de los niños.
  - Si el compartimiento de las pilas no se cierra correctamente, deje de usar el producto y no lo deje al alcance los niños.
  - Si tiene la sospecha de que una pila ha sido ingerida o se encuentra en algún lugar del cuerpo, busque inmediatamente atención médica.
29. Precaución sobre el uso de las pilas:
  - Existe riesgo de explosión si la pila no se sustituye correctamente. Sustitúyala únicamente con otra del mismo tipo u otro equivalente.
  - No se pueden exponer las pilas a temperaturas extremadamente altas o bajas, baja presión de aire a gran altitud durante el uso, almacenamiento o transporte.
  - Si cambia las pilas por otras que no son las correctas, se puede producir una explosión o la fuga de líquidos o gases inflamables.
  - Si arroja las pilas al fuego o a un horno caliente, o aplasta o cortar mecánicamente una pila, podría provocar una explosión.
  - Si deja las pilas en un lugar con temperaturas extremadamente altas, se puede producir una explosión o una fuga de líquido o gas inflamable.
  - Si se exponen las pilas a una presión de aire extremadamente baja, se puede producir una explosión o la fuga de líquidos o gases inflamables.
  - Se debe prestar atención a los aspectos medioambientales sobre la eliminación de baterías.

## INSTALACIÓN

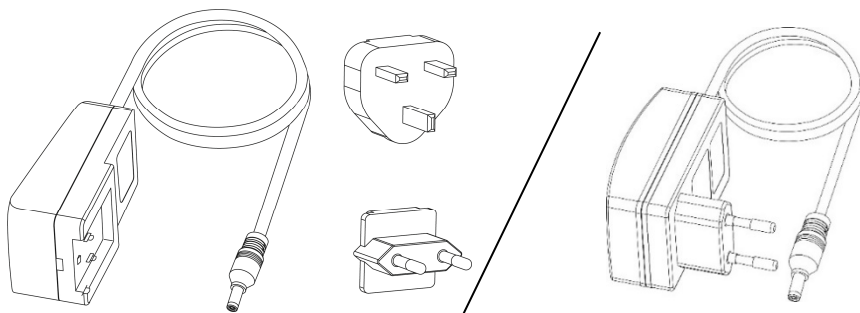
- Desembale todas las piezas y retire el material protector.
- No conecte la unidad a la corriente eléctrica antes de comprobar la tensión de la corriente y antes de que se hayan hecho todas las demás conexiones.
- \* **Estas instrucciones solo están relacionadas con productos que usen un cable de alimentación o un adaptador de corriente CA.**

## Accesorios incluidos:

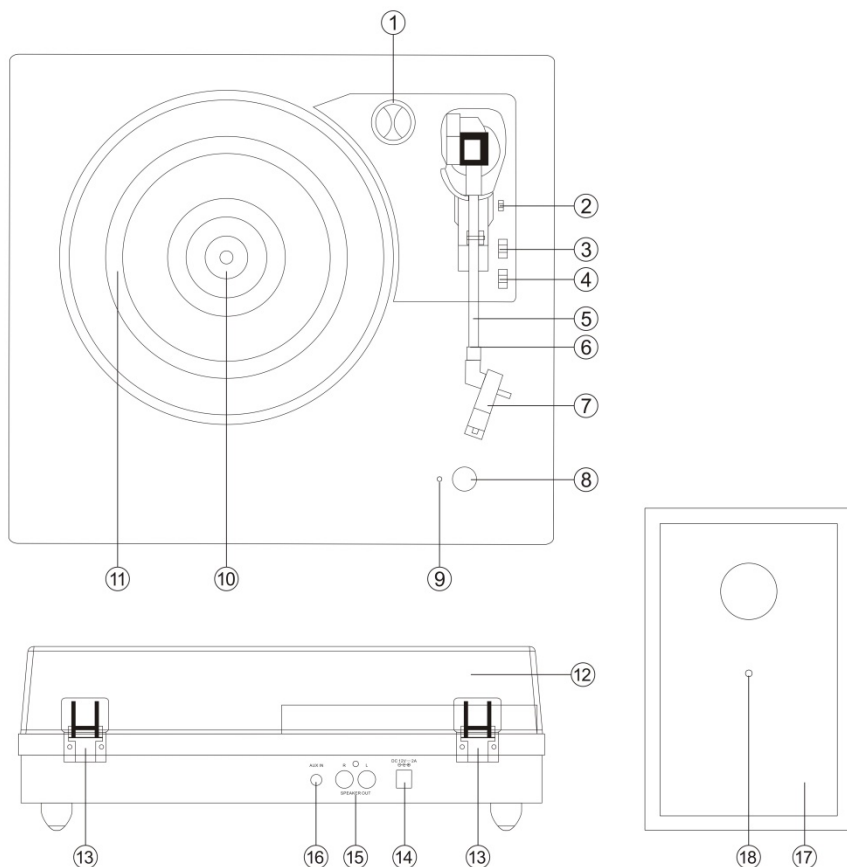
Manual del usuario



Adaptador de corriente



## 1. PIEZAS DEL TOCADISCOS:



1. Adaptador 45 RPM
2. Palanca de izado
3. Interruptor de control de parada automática
4. Interruptor de selección de velocidad
5. Brazo
6. Bloqueo del brazo del tocadiscos
7. Cartucho de aguja fonocaptora
8. Perilla DE VOLUMEN/ENCENDIDO
9. Indicador luminoso LED de alimentación
10. Eje del tocadiscos
11. Plato de tocadiscos
12. Sobrecubierta extraíble
13. Bisagra
14. Conector del adaptador de corriente
15. Tomas de los altavoces externos
16. Toma de entrada auxiliar
17. Altavoces externos
18. Cable de altavoz en altavoz externo

## INSTALACIÓN

Se incluye un adaptador de CA/CC con una salida de 12 V CC 2,0 A con este tocadiscos con recepción Bluetooth y altavoces de madera. Se necesita el adaptador para poner en funcionamiento la unidad.

Conecte los cables para altavoces de cada altavoz a la parte posterior de la unidad

**Nota:** Los cables para altavoces exteriores están codificados por colores, el cable con el conector rojo se debe colocar en el orificio rojo y el blanco en el orificio blanco.

Inserte de forma firme y segura el enchufe CC del adaptador en la toma de ENTRADA CC situada en la parte posterior de la unidad.

Conecte el enchufe del adaptador CA en una toma de alimentación nominal de 220-240V AV ~ 50 Hz.

Encienda la unidad con la perilla DE VOLUMEN/ENCENDIDO. El indicador luminoso LED de alimentación se encenderá.

**Observación:** La evitar el efecto Larsen o el ruido de reproducción, puede hacer lo siguiente:

1. **Coloque los altavoces a una distancia mínima de 60 cm o más del tocadiscos**
2. **Deje abierta la tapa antipolvo cuando reproduzca un disco a un volumen de sonido más alto.**

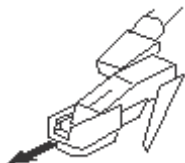
## Selección de encendido y modo

Encienda la unidad con la perilla DE VOLUMEN/ENCENDIDO. Escuchará un sonido que significa que está en modo Bluetooth.

Cuando coloque el brazo de lectura sobre el vinilo, el tocadiscos cambiará al modo de vinilo y el modo Bluetooth se desactivará de forma automática; Ponga de nuevo el brazo de lectura sobre el reposabrazos para volver al modo Bluetooth.

## 2. Escuchar un disco

1. Levante la sobrecubierta
2. Encienda la unidad con la perilla DE VOLUMEN/ENCENDIDO. El indicador luminoso LED de alimentación se encenderá de color ROJO.
3. Coloque un disco sobre el plato del tocadiscos y ajuste la velocidad para que coincida con la velocidad del disco.  
**Nota:** para reproducir un single (disco de 45 rpm) y/o discos con agujeros centrales grandes utilice el adaptador de 45 rpm.
4. Retire la cubierta protectora del cartucho de la aguja



Desbloquee el brazo de lectura del reposabrazos del brazo del lectura. Empuje la palanca de izado hacia atrás y el brazo de lectura se levantará suavemente. Mueva suavemente el brazo de lectura a la posición deseada sobre el disco y el plato del tocadiscos empezará a girar cuando mueva el brazo hacia él si el interruptor de control de parada automática está encendido. Libere el brazo de lectura sobre el tocadiscos empujando la palanca de izado hacia delante y el disco de vinilo empezará a reproducirse.

Si se enciende el interruptor de control automático, la grabación se detendrá automáticamente cuando haya finalizado. Si el interruptor de control de parada automática está apagado, el disco NO dejará de reproducirse automáticamente cuando se termine. Deberá empujar la palanca de izado hacia atrás para levantar el brazo de lectura y colocarlo en el soporte, y entonces apagar el tocadiscos para que deje de girar.

**Observación:** La función de PARADA AUTOMÁTICA funciona con la mayoría de discos de vinilo de 33 rpm. Sin embargo, algunos discos de vinilo se detendrán cuando no se hayan terminado, o no se detendrán cuando se hayan terminado con la función de PARADA AUTOMÁTICA encendida.

NOTA: Si el disco se detiene antes de que termine la última canción, debe poner el interruptor de AUTO STOP (PARADA) AUTOMÁTICA en OFF (APAGADO). A partir de ahora su disco se reproducirá hasta el final, pero deberá detener el giro del tocadiscos de forma manual.

NOTA: En función de la duración del disco, puede habilitar la función de AUTO STOP (PARADA) AUTOMÁTICA antes de que termine el disco. No confíe únicamente en la función de AUTO STOP (PARADA) AUTOMÁTICA para detener la reproducción.

### 3. Escuchar mediante Bluetooth

Se puede conectar un dispositivo externo con conectividad Bluetooth, smartphone o tablet de forma inalámbrica a este tocadiscos utilizando la función Bluetooth.

1. Encienda la unidad con la perilla DE VOLUMEN/ENCENDIDO.
2. Cuando se enciende el tocadiscos y el brazo de lectura se coloca sobre el reposabrazos, se activa el modo Bluetooth de forma automática y se pone en modo de emparejamiento, la luz LED parpadea
3. La primera vez que utilice su dispositivo Bluetooth con el tocadiscos, deberá emparejarlos.
4. Conecte la configuración Bluetooth de su dispositivo externo. Espere un momento; posteriormente busque el nombre de emparejamiento Bluetooth "Lenco LS-100" Si su dispositivo le pide una contraseña (dependiendo de los fabricantes, el modelo y la versión de software del dispositivo), introduzca los dígitos "0000" y pulse en OK (Aceptar).
5. Seleccione el nombre de emparejamiento Bluetooth para conectar la unidad. Cuando se conecte, la luz LED dejará de parpadear.
6. Ahora está conectado a su dispositivo externo vía Bluetooth.
7. Gire la perilla de Control de volumen para ajustar el nivel de sonido y ajustar el control de volumen en su dispositivo de audio externo.

«Este producto dispone de una función de **recepción** bluetooth, **no puede transmitir ningún sonido bluetooth con ella**: esto significa que puede recibir de forma inalámbrica una señal de sonido bluetooth desde una fuente externa como un smartphone».

#### Escuchar la entrada auxiliar

1. Con un cable estéreo de 3,5 mm (no incluido), conecte un dispositivo de audio externo a la toma auxiliar (AUX IN) que se encuentra en la parte posterior de la unidad.
  2. Encienda la unidad con la perilla de VOLUMEN/ENCENDIDO y ajuste el volumen al nivel deseado.
  3. Con la perilla de VOLUMEN/ENCENDIDO puede ajustar el volumen y con los controles del dispositivo de audio exterior puede controlar las funciones de reproducción/volumen
- Nota: Cuando se introduce un cable en la toma auxiliar (Aux), el LS-100 permanecerá en modo Aux, debe desconectar el cable para salir del modo Aux si quiere escuchar un disco o música Bluetooth.

Modo de espera automático para ahorrar energía (normativa CE): **El LS-100 entrará en modo de espera de forma automática si no detecta ninguna señal de audio (disco o Bluetooth) durante 15 minutos aproximadamente. Para volver a activar el dispositivo, puede hacer lo siguiente:**

- **Mueva el brazo de lectura al plato del tocadiscos con el disco para comenzar la reproducción.**
- **Gire de nuevo la perilla de VOLUMEN/ENCENDIDO a OFF (APAGADO) y a ON (ENCENDIDO).**

#### CÓMO SUSTITUIR LA AGUJA

Consulte las instrucciones siguientes para sustituir la aguja.

Retirar la aguja del cartucho

1. Sitúe un destornillador en el extremo de la aguja y apriete hacia abajo como se muestra en dirección "A".
2. Retire la aguja tirando de ella hacia delante y empujando hacia atrás.

Instalar la aguja.

1. Sujete el extremo de la aguja e insértela apretando como se muestra en dirección "B".
2. Empuje la aguja hacia arriba en dirección "C" hasta que el extremo quede bloqueado.



Pasadores guía (interior)

**NOTA**

Le aconsejamos limpiar los discos con un paño antiestático para sacarle el máximo provecho. Señalamos también que por el mismo motivo la aguja debería cambiarse periódicamente (aproximadamente cada 250 horas de reproducción)

Lenco	
Tocadiscos	LS-100
Tipo	Accionado por correa, totalmente manual
Motor de accionamiento	Motor DC
Velocidad	33, 45, 78 RPM
Plato de tocadiscos	200mm
Bluetooth	
Versión	5.0
Rango de frecuencias	2402 MHz a 2480 MHz
Potencia máxima de transmisión	<8 dbm
General	
ADAPTADOR	corriente AC100-240V~50/60Hz 0.8A
	salida CC12V-2A
PRODUCTO	CC12V-2A
Consumo de energía	24 W
Dimensiones	340X320x100 mm para la unidad principal; 130x120x200 mm para el altavoz
Peso	Aprox. 4,12 kgs

**Adaptador de alimentación**

**Fabricante:** SHENZHEN SHI GUANGKAIYUAN TECHNOLOGY., LTD

**Número de modelo:** GKYZT0200120KH / GKYZD0200120EU

## Utilice únicamente la fuente de alimentación indicada en las instrucciones de uso

Información	Valor y precisión
Nombre de los fabricantes o marcas registradas, registro comercial y dirección	<b>SHENZHEN SHI GUANGKAIYUAN TECHNOLOGY., LTD</b> 2ª planta, 41 TianSheng Road, TianLiao village, GongMing Street, Guangming, Shenzhen, Guangdong, P.R.China
Identificador del modelo	<b>GKYZT0200120KH / GKYZD0200120EU</b>
Tensión de entrada	100-240 V
Frecuencia CA de entrada	50-60HZ
Tensión de salida	CC 12V
Corriente de salida	2 A
Potencia de salida	24 W
Eficiencia activa media	86,66 %
Eficiencia a carga baja (10%)	84,42 %
Consumo energético sin carga	0,08

## Garantía

Lenco ofrece servicio y garantía en cumplimiento con las leyes de la Unión Europea, lo cual implica que, en caso de que su producto precise ser reparado (tanto durante como después del periodo de garantía), deberá contactar directamente con su distribuidor.

Nota importante: No es posible enviar sus reparaciones directamente a Lenco.

Nota importante: Si la unidad es abierta por un centro de servicio no oficial, la garantía quedará anulada.

Este aparato no es adecuado para el uso profesional. En caso de darle un uso profesional, todas las obligaciones de garantía del fabricante quedarán anuladas.

## Exención de responsabilidad

Regularmente se llevan a cabo actualizaciones en el Firmware y en los componentes del hardware. Por esta razón, algunas de las instrucciones, especificaciones e imágenes incluidas en este documento pueden diferir ligeramente respecto a su situación particular. Todos los elementos descritos en esta guía tienen un objetivo de mera ilustración, y pueden no ser de aplicación en su situación particular. No se puede obtener ningún derecho ni derecho legal a partir de la descripción hecha en este manual.

## Eliminación del antiguo dispositivo



Este símbolo indica que no deberá deshacerse del producto eléctrico o batería en cuestión junto con los residuos domésticos, en el ámbito de la UE. Para garantizar un tratamiento residual correcto del producto y su batería, por favor, elimínelos cumpliendo con las leyes locales aplicables sobre requisitos para el desechado de equipos eléctricos y baterías. De hacerlo, ayudará a conservar recursos naturales y mejorar los estándares de protección medioambiental en el tratamiento y eliminación de residuos eléctricos (Directiva sobre la Eliminación de Equipos Eléctricos y Electrónicos).

## DECLARACIÓN DE CONFORMIDAD

Por la presente, Commaxx declara que el tipo de equipo radioeléctrico [Lenco LS-100] es conforme con la Directiva 2014/53/UE. El texto completo de la declaración UE de conformidad está disponible en la dirección Internet siguiente:

[https://commaxx-certificates.com/doc/ls-100\\_doc.pdf](https://commaxx-certificates.com/doc/ls-100_doc.pdf)

Tipo de radiofrecuencia	Rango de frecuencia (MHz)	Potencia (dBm)
Bluetooth	2402-2480	< 6

## Servicio

Para obtener más información y soporte del departamento técnico, por favor, visite la página web [www.lenco.com](http://www.lenco.com)  
Commaxx B.V. Wiebachstraat 37, 6466 NG Kerkrade, Países Bajos.



**ВНИМАНИЕ:**

Использование элементов управления или регулирования или выполнение процедур, отличных от указанных в данном документе, может привести к опасному радиационному облучению.

**МЕРЫ ПРЕДОСТОРОЖНОСТИ ПЕРЕД ЭКСПЛУАТАЦИЕЙ****СОБЛЮДАЙТЕ СЛЕДУЮЩИЕ ИНСТРУКЦИИ:**

1. Не закрывайте и не блокируйте вентиляционные отверстия. При размещении устройства на полке оставьте вокруг него 5 см (2 дюйма) свободного пространства.
2. Установите устройство в соответствии с руководством пользователя, входящим в комплект поставки.
3. Устройство должно находиться вдали от источников тепла, таких как батареи, обогреватели, нагревательные печи, свечи и другие изделия, выделяющие тепло, или открытое пламя. Устройство можно использовать только в условиях умеренного климата. Следует избегать чрезмерно высоких или низких температур окружающей среды. Рабочая температура составляет от 0 ° до 35 °C.
4. Не используйте устройство вблизи сильных магнитных полей.
5. Электростатический разряд может помешать нормальной эксплуатации устройства. Если это так, просто перезагрузите и перезапустите устройство, следуя инструкции по эксплуатации. Соблюдайте осторожность при передаче файлов и эксплуатируйте устройство в среде, свободной от атмосферных помех.
6. Предупреждение! Не вставляйте какие-либо предметы в изделие через вентиляционные отверстия или проемы. Через изделие проходит высокое напряжение, и вставленный предмет может вызвать поражение электрическим током и/или короткое замыкание внутренних частей. По той же причине не проливайте на изделие воду или любую другую жидкость.
7. Не используйте устройство в помещениях с повышенной влажностью, таких как ванные комнаты, кухни, насыщенные паром, или около бассейнов.
8. Не допускайте попадания на устройство капель или брызг. Следите за тем, чтобы на устройство или рядом с ним не ставились предметы, наполненные жидкостью, например вазы.
9. Не используйте это устройство в среде, где возможно образование конденсата. Когда устройство используется в теплом влажном помещении с повышенной влажностью, внутри устройства могут образовываться капли воды или конденсат, и устройство может работать неправильно; дайте устройству постоять в выключенном состоянии в течение 1 или 2 часов перед включением питания: устройство должно быть сухим, прежде чем подключать питание.
10. Несмотря на то, что это устройство изготовлено с особой тщательностью и несколько раз проверено перед выпуском с завода, возникновение проблем все же возможно, как и со всеми электрическими приборами. Если Вы заметили дым, чрезмерное нагревание или любые другие неожиданные явления, Вам следует немедленно отключить вилку от розетки электропитания.
11. Это устройство должно работать от такого источника питания, как указано на заводской табличке со спецификациями. Если Вы не уверены в том, какой тип источника питания используется в Вашем доме, проконсультируйтесь с Вашим торговым посредником или местной электроэнергетической компанией.
12. Размещайте устройство подальше от животных. Некоторым животным нравится кусать шнур питания.
13. Для очистки устройства используйте мягкую сухую ткань. Не используйте растворители или жидкости на основе бензина. Чтобы удалить устойчивые пятна, Вы можете использовать влажную ткань с разбавленным моющим средством.
14. Поставщик не несет ответственности за повреждение или потерю данных, вызванные неисправностью, неправильным использованием, реконструкцией устройства или заменой батареи.
15. Не прерывайте соединение, когда устройство форматирует или передает файлы. В противном случае данные могут быть повреждены или утеряны.

16. Если в устройстве есть функция воспроизведения через USB, карту памяти USB следует подключать напрямую к устройству. Не используйте удлинительный кабель USB, так как он может вызывать помехи, что приведет к потере данных.
17. Табличка с техническими данными находится на нижней или задней панели устройства.
18. Это устройство не предназначено для использования людьми (включая детей) с физическими, умственными расстройствами, расстройствами чувственного восприятия или с недостатком опыта и знаний, если они не находятся под наблюдением или не получили инструкции по правильному использованию устройства со стороны лица, отвечающего за их безопасность.
19. Это изделие не предназначено для профессионального, коммерческого или промышленного использования.
20. Убедитесь, что устройство установлено в устойчивое положение. Гарантия не распространяется на повреждения, вызванные эксплуатацией этого изделия в нестабильном положении, вибрациями или ударами, либо несоблюдением любых других предупреждений или мер предосторожности, содержащихся в данном руководстве пользователя.
21. Никогда не снимайте корпус этого устройства.
22. Никогда не помещайте это устройство на другое электрическое оборудование.
23. Не допускайте игр детей с пластиковыми пакетами, используемыми для упаковки устройства
24. Используйте только приспособления/принадлежности, указанные производителем.
25. Поручите все обслуживание квалифицированному обслуживающему персоналу. Обслуживание требуется, когда устройство было повреждено, например, его шнур электропитания или вилка, когда была пролита жидкость или какие-либо предметы упали на устройство, когда устройство подверглось воздействию дождя или влаги, когда устройство работает ненормально, или когда произошло падение устройства.
26. Длительное воздействие громких звуков личных музыкальных проигрывателей может привести к временной или постоянной потере слуха.
27. Если изделие поставляется с кабелем электропитания или адаптером переменного тока:  
В случае возникновения каких-либо проблем отключите шнур питания переменного тока и обратитесь за обслуживанием к квалифицированному персоналу.
  - Не наступайте на адаптер питания и не зажимайте его. Будьте очень осторожны, особенно возле штекеров и кабельного вывода. Не размещайте на адаптере электропитания тяжелые предметы, так как они могут повредить его. Храните устройство в недоступном для детей месте! Играя с кабелем электропитания, они могут серьезно пораниться.
  - Отключайте это устройство от сети во время грозы или если не используете в течение длительного времени.
  - Штепсельная розетка должна быть установлена рядом с оборудованием и быть в непосредственном доступе.
  - Не перегружайте розетки переменного тока или удлинительные шнуры. Перегрузка может вызвать возгорание или поражение электрическим током.
  - Устройства, спроектированные в соответствии с первым классом электрооборудования по европейским стандартам, «class 1», необходимо подключать к заземленным розеткам электропитания.
  - Устройства, спроектированные в соответствии со вторым классом электрооборудования по европейским стандартам, «class 2», не требуют наличия заземления в сети электропитания.
  - Вынимая вилку из штепсельной розетки, всегда держитесь за вилку. Не тяните за шнур питания. Это может вызвать короткое замыкание.
  - Не используйте поврежденный шнур электропитания, вилку или незакрепленную, ослабленную розетку. Это может привести к возгоранию или поражению электрическим током.
28. Если продукт содержит или поставляется с пультом дистанционного управления с батареей типа «таблетка»/ «монетка»:  
Предупреждение:
  - «Не проглатывать батарею, опасность химического ожога» или аналогичные действия.
  - [Пульт дистанционного управления, входящий в комплект] Этот продукт содержит батарейку типа «таблетка»/ «монетка». Если проглотить батарейку, это может вызвать серьезные внутренние ожоги всего за 2 часа и привести к смерти.

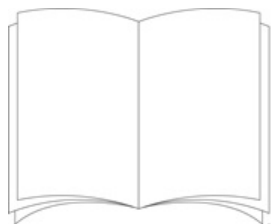
- Храните новые и использованные батареи в недоступном для детей месте.
  - Если батарейный отсек закрывается ненадежно, прекратите использование продукта и храните его в недоступном для детей месте.
  - Если Вы считаете, что батарейки могли быть проглотить или они могли попасть в какую-либо часть тела, немедленно обратитесь за медицинской помощью.
29. Меры предосторожности при использовании батарей:
- При неправильной замене батареи существует опасность взрыва. Заменяйте только на такую же батарею или аналогичного типа.
  - Аккумулятор нельзя подвергать воздействию чрезмерно высоких или низких температур, низкого давления воздуха на большой высоте во время использования, хранения или транспортировки.
  - Замена батареи неподходящего типа может привести к взрыву или утечке воспламеняющейся жидкости или газа.
  - Утилизация аккумулятора в огне или в горячей духовке, механическое раздавливание или разрезание аккумулятора может привести к взрыву.
  - Нахождение батареи в окружающей среде с очень высокой температурой может привести к взрыву или утечке воспламеняющейся жидкости или газа.
  - Батарея, находящаяся под воздействием чрезмерно низкого давления воздуха может привести к взрыву или утечке воспламеняющейся жидкости или газа.
  - Следует обратить внимание на экологические аспекты утилизации батарей.

#### **УСТАНОВКА**

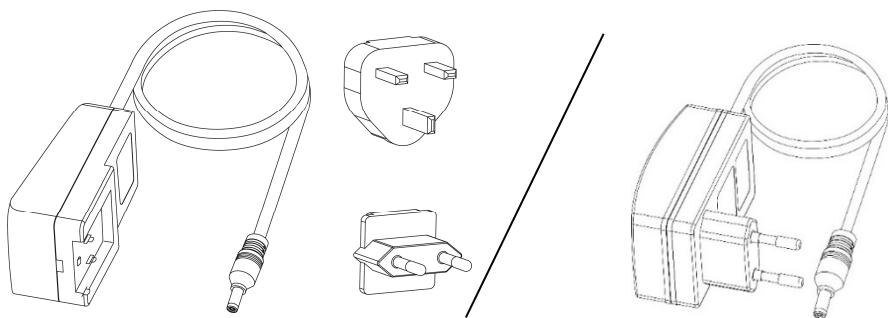
- Распакуйте все компоненты проигрывателя и снимите защитные материалы.
  - Не подключайте устройство к электросети до проверки сетевого напряжения и до выполнения всех остальных подключений.
- \* **Эти инструкции относятся только к продуктам, использующим кабель электропитания или адаптер переменного тока.**

## В комплект поставки входят:

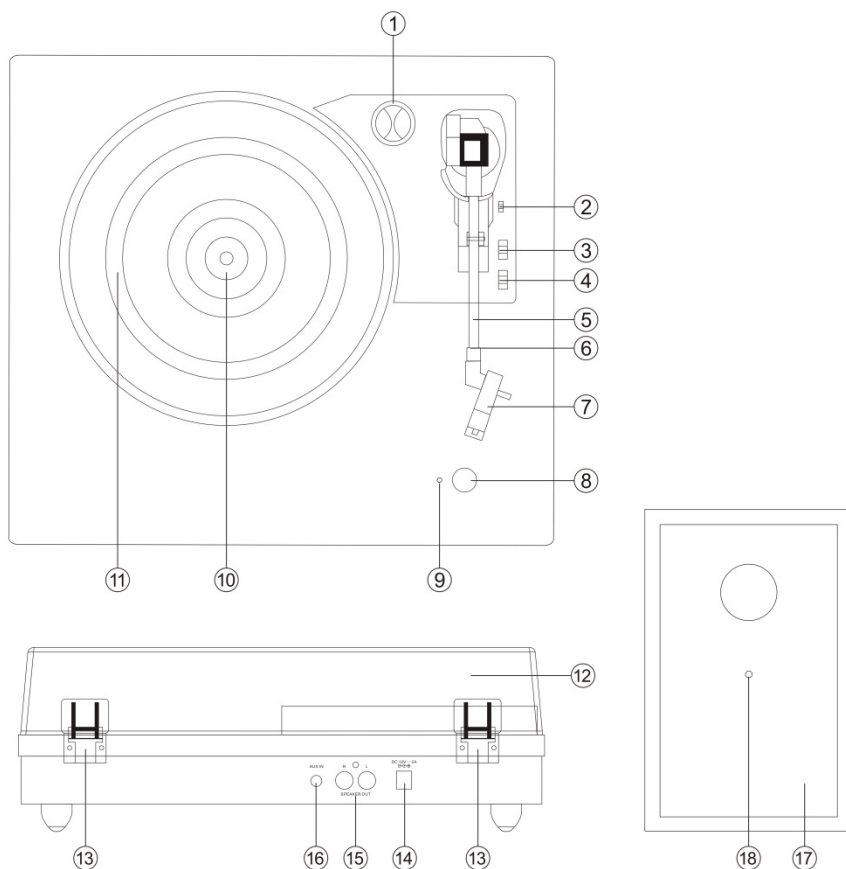
Руководство пользователя



Адаптер питания



## 1. КОМПОНЕНТЫ ВИНИЛОВОГО ПРОИГРЫВАТЕЛЯ:



1. Адаптер на 45 об./мин.
2. Рычаг установки тонарма
3. Кнопка включения функции «Автостоп»
4. Переключатель скоростей вращения диска
5. Тонарм
6. Фиксатор тонарма
7. Картридж иглы звукоснимателя
8. Ручка регулировки ГРОМКОСТИ/ПИТАНИЯ
9. Светодиодный индикатор питания
10. Шпиндель (ось) проигрывателя
11. Опорный диск проигрывателя
12. Съёмная пылезащитная крышка
13. Петли
14. Гнездо подключения адаптера питания
15. Гнезда для подключения внешней акустической системы
16. Гнездо разъёма подачи внешнего сигнала Aux-In
17. Внешняя акустическая система
18. Кабель динамика на внешней акустической системе

## НАСТРОЙКА

Адаптер переменного/постоянного тока с выходом 12 В постоянного тока 2,0 А входит в комплект поставки проигрывателя виниловых пластинок с функцией приёма через Bluetooth-соединение и деревянной акустической системой. Адаптер необходим для работы с устройством.

Подключите кабели динамиков от каждого динамика к задней части устройства.

Примечание: кабели внешней акустической системы имеют цветовую маркировку, кабель с красным разъемом необходимо вставить в красное отверстие, а белый – в белое.

Плотно и надежно вставьте штепсель постоянного тока адаптера в гнездо для подключения внешнего источника постоянного тока на задней панели устройства.

Вставьте штепсели адаптера переменного тока в сетевую розетку с напряжением 220 – 240 В переменного тока, 50 Гц.

Включите устройство ручкой регулировки ГРОМКОСТИ/ПИТАНИЯ. Загорится световой индикатор питания.

**Примечание: Чтобы избежать эффекта Ларсена или акустической обратной связи, Вы можете выполнить следующие процедуры:**

1. Разместите динамики на минимальном расстоянии 60 см или более от проигрывателя.
2. При воспроизведении записи с более высокой громкостью откройте пылезащитную крышку.

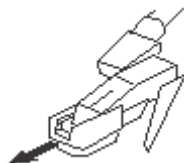
### Включение и выбор режима

Включите устройство ручкой регулировки ГРОМКОСТИ/ПИТАНИЯ. Вы услышите звуковой сигнал, означающий, что он находится в режиме Bluetooth.

Как только Вы поместите тонарм на виниловую пластинку, проигрыватель переключится в режим винила, а режим Bluetooth автоматически отключится; поместите тонарм обратно в опору тонарма, чтобы вернуться в режим Bluetooth.

## 2. Прослушивание записи

1. Поднимите пылезащитную крышку.
2. Включите устройство ручкой регулировки ГРОМКОСТИ/ПИТАНИЯ. Светодиодный индикатор питания загорится КРАСНЫМ цветом.
3. Поместите пластинку на опорный диск проигрывателя и установите скорость проигрывателя в соответствии со скоростью записи.  
Примечание: при воспроизведении сингла (запись 45 об./мин.) и/или пластинок с большими центральными отверстиями используйте адаптер на 45 об./мин.
4. Снимите защитную крышку картриджа с иглой.



Разблокируйте фиксатор тонарма на опоре тонарма. Отодвиньте рычаг установки, тонарм плавно поднимется. Осторожно переместите тонарм в желаемое положение над пластинкой, и опорный диск проигрывателя начнет вращаться, когда тонарм будет подвинут к нему, если кнопка включения функции «Автостоп» находится в положении ВКЛ. Поднимите тонарм на проигрыватель, пододвинув рычаг установки, и затем начнется воспроизведение виниловой пластинки.

Если кнопка включения функции «Автостоп» ВКЛЮЧЕНА, воспроизведение пластинки автоматически остановится по окончании. Если кнопка включения функции «Автостоп» ВЫКЛЮЧЕНА, воспроизведение пластинки НЕ остановится автоматически по окончании; Вы должны отодвинуть подъемный рычаг, чтобы поднять тонарм, и поместить его обратно в опору, а затем выключить питание, чтобы проигрыватель не вращался.

Примечание: функция «Автостоп» применима к большинству виниловых пластинок со скоростью 33 об./мин. Однако для очень небольшого количества виниловых пластинок воспроизведение

останавливается, когда пластинка еще не доигрывает до конца, или воспроизведение не останавливается, когда пластинка доигрывает до конца, когда функция «Автостоп» включена.

ПРИМЕЧАНИЕ: если проигрывание Вашей пластинки остановится до окончания последней дорожки, установите кнопку включения функции «Автостоп» в положение ВЫКЛ. Теперь Ваша пластинка будет воспроизведена до конца, но Вам придется вручную остановить вращение проигрывателя.

ПРИМЕЧАНИЕ: в зависимости от длины записи функция «Автостоп» может быть включена до окончания пластинки. Не полагайтесь только на функцию «Автостоп» для остановки воспроизведения.

### 3. Прослушивание в режиме Bluetooth.

Внешнее устройство с функцией подключения Bluetooth, такое как смартфон или планшет, можно подключить к этому проигрывателю по беспроводной сети с помощью функции Bluetooth.

1. Включите устройство ручкой регулировки ГРОМКОСТИ/ПИТАНИЯ.
2. Когда проигрыватель виниловых пластинок включен и тонарм помещен на опору, автоматически активируется режим Bluetooth и происходит переход в режим сопряжения, мигает светодиодный индикатор.
3. При первом использовании устройства Bluetooth с проигрывателем виниловых пластинок Вам необходимо провести их сопряжение.
4. Включите настройку Bluetooth на внешнем устройстве. Немного подождите, а затем найдите имя сопряжения Bluetooth «Lenco LS-100». Если Ваше устройство запрашивает пароль (в зависимости от производителя устройства, модели и версии программного обеспечения), введите цифры «0000» и нажмите ОК.
5. Выберите имя сопряжения Bluetooth, чтобы подключить устройство. После подключения светодиодный индикатор перестанет мигать.
6. Теперь Вы подключены к внешнему устройству через Bluetooth.
7. Поверните ручку регулировки громкости, чтобы отрегулировать уровень звука и отрегулировать громкость на внешнем аудиоустройстве.

«Этот продукт имеет функцию приема через Bluetooth-соединение, с его помощью Вы не можете передавать звук по Bluetooth: это означает, что Вы можете получать звуковой сигнал через Bluetooth-соединение по беспроводной сети от внешнего источника, например смартфона».

### Прослушивание через дополнительный вход

1. С помощью стереокабеля 3,5 мм (не входит в комплект поставки) подключите внешнее аудиоустройство к разъёму подачи внешнего сигнала Aux-In на задней панели устройства.
2. Включите устройство с помощью ручки регулировки ГРОМКОСТИ/ПИТАНИЯ и отрегулируйте громкость до подходящего уровня.
3. С помощью ручки регулировки ГРОМКОСТИ/ПИТАНИЯ отрегулируйте громкость и используйте элементы управления на внешнем аудиоустройстве для управления функциями воспроизведения/громкости.

Примечание: когда в разъем подачи внешнего сигнала Aux-In вставлен кабель, LS-100 останется в режиме Aux. Вам необходимо отключить кабель, чтобы выйти из режима Aux, если Вы хотите слушать запись или музыку через Bluetooth-соединение.

Автоматический переход в режим ожидания для энергосбережения (норма CE): **LS-100** автоматически переходит в режим ожидания, если в течение +/- 15 минут отсутствует аудиосигнал (запись или через Bluetooth-соединение) или аудиосигнал Bluetooth-устройства слишком слабый. Чтобы повторно активировать устройство, Вам следует выполнить одно из нижеуказанных действий:

- Переместите тонарм на опорный диск проигрывателя с пластинкой, чтобы начать воспроизведение.
- Поверните ручку регулировки ГРОМКОСТИ/ПИТАНИЯ в положение ВЫКЛ, а затем снова в положение ВКЛ.

Чтобы избежать отключения проигрывателя при низком уровне аудиосигнала, рекомендуем устанавливать громкость источника Bluetooth-сигнала на максимум и регулировать громкость на самом проигрывателе.

### ПРОЦЕДУРА ЗАМЕНЫ ИГЛЫ

Чтобы заменить иглу, следуйте приведенным ниже инструкциям.

Удаление иглы из картриджа

1. Поместите отвертку на кончик иглы и отодвиньте его, как показано в направлении «А».
2. Снимите иглу, потянув иглу вперед и отодвинув ее.

Установка иглы

1. Возьмитесь за кончик иглы и вставьте иглу, нажав, как показано в направлении «В».
2. пододвиньте иглу, как в направлении «С», пока игла не зафиксируется в положении кончика.



### ПРИМЕЧАНИЯ

Мы советуем Вам очищать свои пластинки антистатической тканью, чтобы получить от их прослушивания максимальное удовольствие.

Мы также хотели бы отметить, что по той же причине необходимо периодически заменять Вашу иглу (примерно каждые 250 часов воспроизведения).



Lenco	
Модель проигрывателя	LS-100
Тип привода	Пассиковый
Двигатель привода	Электродвигатель постоянного тока
Скорости вращения диска	33, 45, 78 об./мин.
Опорный диск проигрывателя	200 мм
Bluetooth-соединение	
Версия	5.0
Диапазон значений частоты	От 2402 МГц до 2480 МГц
Максимальное значение передаваемой мощности	< 8 дБ/мВт
Общая информация	
АДАПТЕР	Входное напряжение 100-240 В переменного тока ~50/60 Гц 0.8 А
	Выходное напряжение 12 В постоянного тока – 2 А
ИЗДЕЛИЕ	12 В постоянного тока – 2 А
Потребление электроэнергии	24 Вт
Габаритные размеры	340 x 340 x 100 мм – основной блок; 130 x 120 x 200 мм – динамики
Масса	Приблизительно 4,12 кг

#### Адаптер электропитания

Производитель: «ШЕНЬЧЖЭНЬ ГУАНКАЙЮАНЬ ТЕКНОЛОДЖИ ЛТД» (SHENZHEN SHI GUANGKAIYUAN TECHNOLOGY LTD)

Номер модели: GKYZTo200120KH / GKYZDo200120EU

**Используйте только такой источник питания, как указано в инструкции пользователя.**

Информация	Значение и воспроизводимость
Наименование или товарный знак изготовителя, его торговая регистрация и адрес	«ШЕНЬЧЖЭНЬ ГУАНКАЙЮАНЬ ТЕКНОЛОДЖИ ЛТД» Тяньшен Роуд, 41, 2 этаж, деревня Тяньляо, ул. Гунмин, Гуанмин, Шэньчжэнь, Гуандун, Китайская Народная Республика (2 floor, 41 TianSheng Road, TianLiao village, GongMing Street, Guangming, Shenzhen, Guangdong, P.R.China)
Идентификационный номер модели	<b>GKYZTo2o012oKH / GKYZDo2o012oEU</b>
Напряжение питания	120 – 240 В
Частота входного переменного тока	50 – 60 Гц
Напряжение на выходе	12 В постоянного тока
Выходной ток	2 А
Выходная мощность	24 Вт
Средняя производительность	86,66 %
Производительность при низких нагрузках (10%)	84,42 %
Расход мощности на холостом ходу	0,08

## Гарантийные обязательства

**Срок гарантии** составляет 1 (один) год с даты продажи. **Срок службы** – до 5 (пяти) лет.

Важное примечание: Компания Lenco не обеспечивает обслуживание оборудования в случае непосредственного обращения в головной офис компании.

Важное примечание: Гарантия не действует, если устройство вскрывалось или подвергалось изменениям вне официального сервисного центра.

Это устройство не предназначено для профессионального использования. В случае профессионального использования гарантийные обязательства производителя не будут выполняться.

## Заявление об ограничении ответственности

Обновления микропрограмм и/или компонентов аппаратного обеспечения производятся регулярно.

Поэтому некоторые инструкции, спецификации и изображения в этой документации могут незначительно отличаться от Вашей конкретной ситуации. Все элементы, описанные в данном руководстве, предназначены только для иллюстрации и могут не относиться к конкретной ситуации. Из описания, приведенного в этом руководстве, нельзя получить никаких юридических прав.

## Утилизация оборудования



Этот символ означает, что соответствующее электрооборудование или батарея не может быть утилизирована как обычные бытовые отходы в Европе. Чтобы обеспечить корректную утилизацию данного оборудования руководствуйтесь местными законами или требованиями по утилизации электронного оборудования и батарей.

Поступая таким образом, Вы поможете сохранить природные ресурсы и улучшить стандарты защиты окружающей среды при обработке и утилизации электрических отходов (Директива ЕС об отходах электрического и электронного оборудования).

## ДЕКЛАРАЦИЯ СООТВЕТСТВИЯ

Настоящим компания Commaxx заявляет, что тип радиооборудования [Lenco LS-100] соответствует требованиям директивы 2014/53/ЕС. Полный текст декларации о соответствии нормативным требованиям ЕС доступен по следующей ссылке:

[https://commaxx-certificates.com/doc/ls-100\\_doc.pdf](https://commaxx-certificates.com/doc/ls-100_doc.pdf)

Тип PC	Диапазон частот	Мощность
Bluetooth	2402-2480	< 6

## Маркировка «EAC»



Товар сертифицирован для использования на территории Таможенного Союза без каких-либо ограничений. Соответствует требованиям ТР ТС 004/2011 «О безопасности низковольтного оборудования» и ТР ТС 020/2011 «Электромагнитная совместимость технических средств». **Импортер и организация, уполномоченная на принятие претензий:** ООО "Бизнес-фабрика", 123458 г. Москва, ул. Маршала Прошлякова, д. 30, офис 503, +7 495 787 5900. **Изготовитель:** Коммакс Б.В., Вибахштраат 37, 6466НГ, Керкраде, Нидерланды / **Филиал:** Эс.Ти.Ай. Электроникс Лтд., Юнит 903-907, 9/ЭФ, Лоз Коммершиал Плаза, 788 Чонг Ша Ван Роуд, Коулун, Гонконг. Сделано в Китае.

## Обслуживание

Для получения дополнительной информации и обращения в службу поддержки клиентов посетите наш веб-сайт: [www.lenco.ru](http://www.lenco.ru). Дизайн и спецификация могут быть изменены производителем без предварительного информирования.

## Дата изготовления продукции

Год и месяц изготовления продукции указаны в номере партии и серийном номере продукта. Ниже описаны способы уточнения этой даты.

- По номеру партии (номер партии указан либо на упаковке устройства, либо на транспортировочной упаковке).
  - Формат номера партии: AAAABDDMY
- По серийному номеру продукта (серийный номер указан на устройстве).
  - Формат серийного номера: AAAABDDMYSSSSS

Где M (восьмой символ слева) равен месяцу производства, а Y (девятый символ слева) равен году производства. Месяц производства указывается одной из букв латинского алфавита.

Соответствие буквенных обозначений месяца производства:

A	B	C	D	E	F
Январь	Февраль	Март	Апрель	Май	Июнь
G	H	I	J	K	L
Июль	Август	Сентябрь	Октябрь	Ноябрь	Декабрь

Год производства указывается одной цифрой, которая соответствует последней цифре года производства (цифра 1 равна 2021 году производства).

### Пример расшифровки по номеру партии:

- Номер партии: 2461A05Co
- Где буква C это месяц (Март), а цифра o – последняя цифра года производства (2020 год).

### Пример расшифровки по серийному номеру:

- 2461A05A1123456
- Где буква A это месяц (Январь), а цифра 1 – последняя цифра года производства (2021 год).

## Гарантийный талон



### Информация об устройстве

<b>Модель:</b>	
<b>Серийный номер:</b>	
<b>Дата продажи:</b> срок гарантии – 1 (один) год с даты продажи	

### Информация о продавце

<b>Название торговой организации:</b>	
<b>Телефон торговой организации:</b>	
<b>Адрес, e-mail:</b>	

Подпись продавца \_\_\_\_\_

М.П.

Подпись покупателя \_\_\_\_\_

*Изделие получил в исправном состоянии и в полной комплектации.*

*С условиями гарантии ознакомлен и согласен.*

**ВНИМАНИЕ!** Гарантийный талон недействителен без печати продавца.

Поддержка: [www.lenco.ru](http://www.lenco.ru)

**DİKKAT:**

Burada belirtilenler dışındaki kontrollerin, ayarların veya prosedürlerin kullanılması tehlikeli radyasyona maruz kalmayla sonuçlanabilir.

**KULLANMADAN ÖNCE ÖNLEMLER****BU TALİMATLARI DİKKATE ALIN:**

1. Havalandırma deliklerini kapatmayın veya bloke etmeyin. Cihazı bir raf üzerine yerleştirirken, tüm cihazın etrafında 5 cm boşluk bırakın.
2. Verilen kullanım kılavuzuna göre monte edin.
3. Cihazı radyatörler, ısıtıcılar, sobalar, mumlar ve diğer ısı üreten ürünler veya açık alev gibi ısı kaynaklarından uzak tutun. Cihaz sadece ılımlı iklimlerde kullanılabilir. Aşırı soğuk veya sıcak ortamlardan kaçınılmalıdır. Çalışma sıcaklığı 0° ila 35° C arasındadır.
4. Cihazı güçlü manyetik alanların yakınında kullanmaktan kaçının.
5. Elektrostatik boşalma, bu cihazın normal kullanımını bozabilir. Bu durumda, kullanım kılavuzunu takip ederek cihazı sıfırlayın ve yeniden başlatın. Dosya aktarımı sırasında, lütfen dikkatli kullanın ve statiksiz bir ortamda çalıştırın.
6. Uyarı! Cihazın içine havalandırma deliklerinden veya açıklıklardan asla bir cisim sokmayın. Üründen yüksek voltaj geçmektedir ve içine bir cisim sokulması elektrik çarpmasına ve/veya iç parçalarda kısa devreye neden olabilir. Aynı nedenle, ürünün üzerine su veya sıvı dökmeyin.
7. Banyolar, buharlı mutfaklar veya yüzme havuzları yakını gibi ıslak veya nemli yerlerde kullanmayın.
8. Cihaz, sıvı damlamasına veya sıçramasına maruz bırakılmamalıdır ve vazo gibi sıvı dolu cisimler cihazın üzerine veya yakınına yerleştirilmemelidir.
9. Bu cihazı yoğuşma olabilecek durumlarda kullanmayın. Cihaz nemli sıcak bir ıslak odada kullanıldığında, cihazın içinde su damlacıkları veya yoğuşma meydana gelebilir ve cihaz düzgün çalışmayabilir; gücü açmadan önce cihazı 1 veya 2 saat kapalı durumda tutun: elektrik açılmadan önce cihaz kuru olmalıdır.
10. Bu cihaz çok dikkatli bir şekilde üretilmiş olmasına ve fabrikadan çıkmadan önce birkaç kez kontrol edilmesine rağmen, tüm elektrikli cihazlarda olduğu gibi sorunların ortaya çıkması mümkündür. Duman, aşırı ısı birikimi veya beklenmedik bir olgu fark ederseniz, derhal ana prizden fişi çıkarmalısınız.
11. Bu cihaz, teknik özellik etiketinde belirtilen bir güç kaynağı ile çalışmalıdır. Evinizde kullanılan güç kaynağı türünden emin değilseniz, satıcınıza veya yerel elektrik şirketinize danışın.
12. Hayvanlardan uzak tutunuz. Bazı hayvanlar güç kablolarını ısırarak hoşlanırlar.
13. Cihazı temizlemek için yumuşak kuru bir bez kullanın. Çözelti veya benzin tabanlı sıvılar kullanmayın. Ağır lekeleri çıkarmak için seyreltilmiş deterjanla nemli bir bez kullanabilirsiniz.
14. Tedarikçi, arıza, yanlış kullanım, cihaz üzerinde değişiklik yapılmasından veya pil değişiminden kaynaklanan hasar veya kayıp verilerden sorumlu değildir.
15. Cihaz dosyaları biçimlendirirken veya aktarırken bağlantıyı kesmeyin. Aksi takdirde veriler bozulabilir veya kaybolabilir.
16. Cihazda USB oynatma fonksiyonu varsa, usb bellek doğrudan cihaza takılmalıdır. USB uzatma kablosu kullanmayın, çünkü parazite neden olabilir ve veri hatası oluşabilir.
17. Derecelendirme etiketi, cihazın alt veya arka panelinde işaretlenmiştir.
18. Bu cihaz, güvenliklerinden sorumlu kişilerin gözetiminde olmayan veya bu kişilerce cihazın doğru kullanımını hakkında talimat almayan, fiziksel, duyuusal veya zihinsel engelli veya deneyim ve bilgi eksikliği olan kişiler (çocuklar dahil) tarafından kullanılmak üzere tasarlanmamıştır.
19. Bu ürün sadece profesyonel olmayan kullanım içindir, ticari veya endüstriyel kullanım için değildir.
20. Cihazın sabit bir konumda ayarlandığından emin olun. Bu ürünün dengesiz, titreşim veya darbelere maruz bir konumda kullanılması veya bu kullanım kılavuzunda yer alan diğer uyarılara veya önlemlere uyulmamasından kaynaklanan hasarlar garanti kapsamında değildir.
21. Bu cihazın kasasını asla çıkarmayın.
22. Bu cihazı asla başka elektrikli ekipmanların üzerine koymayın.
23. Çocukların plastik torbalara erişmesine izin vermeyin.
24. Yalnızca üretici tarafından belirtilen ekleri/aksesuarları kullanın.
25. Tüm servis işlemleri için yetkili servis personeline başvurun. Cihaz, güç kaynağı kablosu veya fiş gibi herhangi bir şekilde hasar gördüğünde, cihazın üzerine sıvı döküldüğünde veya cihazın içine cisim

düştüğünde, cihaz yağmur veya neme maruz kaldığında, normal şekilde çalışmadığında veya düşürüldüğünde servis gereklidir.

26. Kişisel müzik çalarlardan uzun süre yüksek sese maruz kalınması geçici veya kalıcı işitme kaybına yol açabilir.
27. Ürün güç kablosu veya AC güç adaptörü ile birlikte teslim edilmişse:
  - Herhangi bir sorun oluşursa, AC güç kartını kesin ve teknik servis için yetkili personele başvurun.
  - Güç adaptörü üzerine basmayın veya sıkıştırmayın. Özellikle fişlerin ve kablolonun çıkış noktasının yakınında çok dikkatli olun. Güç adaptörünün üzerine zarar verebilecek ağır cisimler koymayın. Cihazı bütün olarak çocuklardan uzak tutun! Zira güç kablosuyla oynarken ciddi şekilde yaralanabilirler.
  - Şimşekli fırtınalarda veya uzun süre kullanılmadığında cihazın fişini çekin.
  - Priz cihaza yakın monte edilmelidir ve kolay erişilebilir olmalıdır.
  - AC prizleri veya uzatma kablolarını aşırı yüklemeyin. Aşırı yüklenme yangına veya elektrik çarpmasına neden olabilir.
  - Sınıf 1 konstrüksiyona sahip cihazlar koruyucu topraklı bağlantısı olan bir şebeke prizine bağlanmalıdır.
  - Sınıf 2 konstrüksiyona sahip cihazlar topraklanmış bir bağlantı gerektirmez.
  - Ana şebeke prizinden çıkarırken daima fişten tutun. Güç kablosunu çekmeyin, aksi halde kısa devre oluşabilir.
  - Hasarlı bir güç kablosu veya fişi veya gevşek bir prizi kullanmayın. Aksi takdirde yangın veya elektrik çarpması meydana gelebilir.
28. Üründe düğme/hücre pilleri varsa veya bunları içeren bir uzaktan kumanda ile gelmişse:  
Uyarı:
  - “Pili yutmayın. Kimyasal Yanık Tehlikesi” veya eşdeğeri.
  - [Ürünle birlikte verilen uzaktan kumanda] Bu ürün, düğme pil/düğme hücre pil içerir. Sadece 2 saat içinde ciddi iç yanıklara yol açabilir ve ölüme neden olabilir.
  - Yeni ve kullanılmış pilleri çocuklardan uzak tutun.
  - Pil bölmesi sağlam şekilde kapanmıyorsa, ürünü kullanmayı bırakın ve çocuklardan uzak tutun.
  - Pillerin yutulmuş olduğunu veya vücudunun herhangi bir yerine girmiş olabileceğini düşünüyorsanız, hemen tıbbi yardım alın.
29. Pillerin kullanımı ile ilgili uyarı:
  - Pil yanlış yerleştirilmişse patlama tehlikesi. Yalnızca aynı veya eşdeğer tipte pillerle değiştirin.
  - Pil, kullanım, depolama veya nakliye sırasında aşırı yüksek veya düşük sıcaklıklara, yüksek irtifalarda düşük hava basıncına maruz bırakılmamalıdır.
  - Pilin yanlış türdeki bir pille değiştirilmesi patlamaya ya da yanıcı sıvı veya gaz sızmasına neden olabilir.
  - Pilin ateşe veya sıcak bir fırına atılması veya mekanik olarak ezilmesi veya kesilmesi, patlamaya neden olabilir.
  - Pilin aşırı yüksek sıcaklıktaki bir ortamda bırakılması patlamaya veya yanıcı sıvı veya gazın sızmasına neden olabilir.
  - Pilin aşırı düşük hava basıncına maruz kalması patlamaya veya yanıcı sıvı veya gazın sızmasına neden olabilir.
  - Pilin atılmasının çevresel yönlerine dikkat edilmelidir.

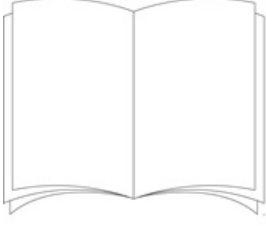
## KURULUM

- Tüm parçaları ambalajını açın ve koruyucu malzemeleri çıkarın.
- Şebeke gerilimini kontrol etmeden ve diğer tüm bağlantılar yapılmadan cihazı şebekeye bağlamayın.

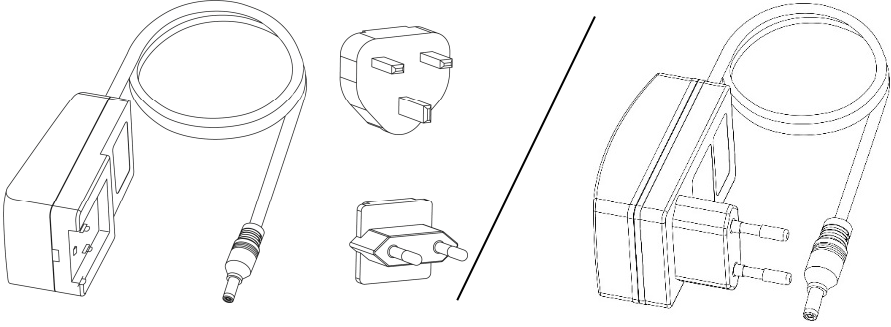
**\*Bu talimat sadece güç kablosu veya AC güç adaptörü kullanan ürünlerle ilgilidir.**

## Dahil olan aksesuarlar:

Kullanım Kılavuzu

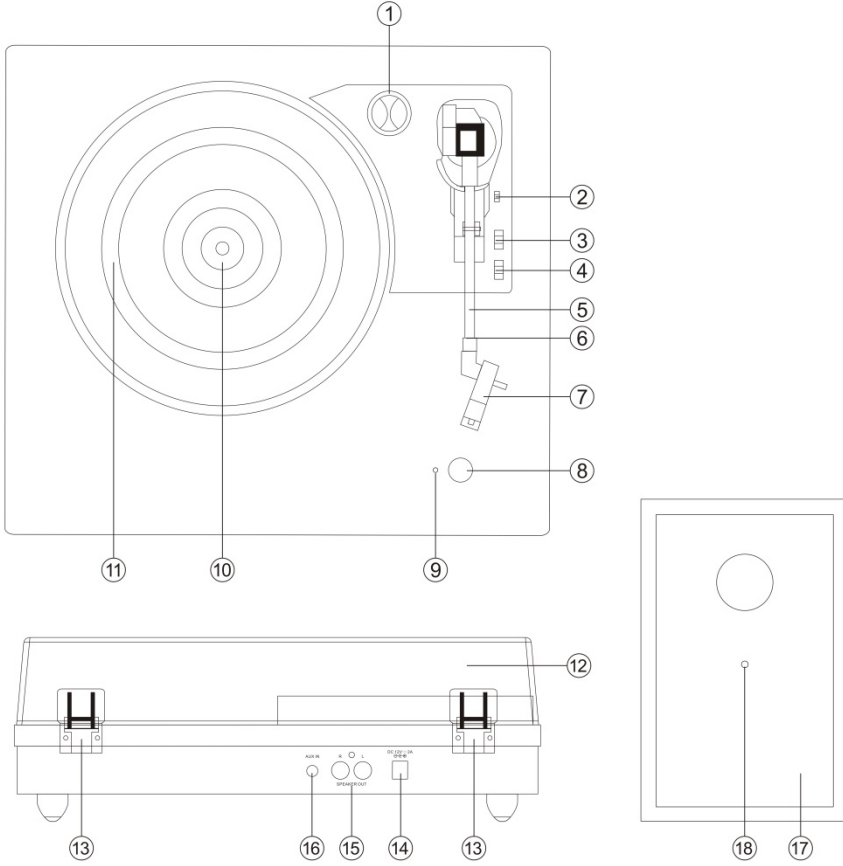


Güç Adaptörü





## 1. PİKAP PLATFORMU PARÇALARI:



1. 45 RPM Adaptör
2. Kaldırma kolu
3. Otomatik Durdurma Düğmesi
4. Hız Seçme Anahtarı
5. PİKAP Kolu
6. PİKAP kolu kilidi
7. Ses İğnesi Kartuşu
8. GÜÇ/SES Düğmesi
9. Güç Led Işığ İ Göstergesi
10. PİKAP platformu mili
11. PİKAP Platformu Tablosu
12. Çıkarılabilir Toz Kapağı
13. Mentеше
14. Güç Adaptörü Jaki
15. Harici Hoparlör Jakları
16. Ses Giriş Jaki
17. Harici Hoparlör
18. Harici Hoparlör kablosu

## KURULUM

Bluetooth alıcılı ve Aışşap Hoparlörlü Pikap Platformu ile birlikte 12V DC 2.0A çıkışlı bir AC/DC adaptörü verilmiştir. Adaptör cihazın çalıştırılması için gereklidir.

Her bir hoparlörün kablosunu cihazın arkasına bağlayın.

Not: Harici hoparlör kablosu renk kodludur, kırmızı konektörlü kablo kırmızı deliğe konmalı, beyaz olan ise beyaz deliğe konmalıdır.

Adaptörün DC fişini, ünitenin arkasındaki DC IN Jakına sıkıca ve güvenli bir şekilde takın.

Adaptörün AC fişlerini 220-240V AV ~ 50 Hz değerli bir elektrik prizine takın.

POWER / VOLUME Düğmesi ile cihazı açın. Güç Led Işığı Göstergesi açılacaktır.

**Açıklama: Larsen etkisini veya geri besleme gürültüsünü önlemek için aşağıdakileri yapabilirsiniz:**

1. Hoparlörlerinizi pikap platformunuzdan en az 60 cm veya daha uzağına yerleştirin
2. Daha yüksek ses düzeyinde bir plak çalarken toz kapağı açın

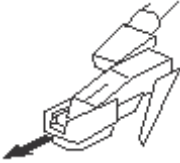
## Güç Açma ve Mod seçimi

POWER / VOLUME Düğmesi ile cihazı açın. Gelen uyarı sesi cihazın Bluetooth modunda olduğı anlamına gelir.

Pikap kolunu vinil üzerine yerleřtirdiğinizde, pikap platformu vinil moduna geçecek ve Bluetooth modu otomatik olarak devre dışı bırakılacaktır; Bluetooth moduna geri dönmek için pikap kolunu kol desteğıne geri yerleřtirin.

## 2. Plak dinleme

1. Toz kapağına kaldırın
2. POWER / VOLUME Düğmesi ile cihazı açın. Güç Led Işık Göstergesi KIRMIZI renkte yanacaktır.
3. Pikap platformu üzerine bir plak yerleřtirin ve oynatıcı hızını plak hızına uyacak şekilde ayarlayın.  
Not: Tek bir (45 rpm plak) ve / veya büyük merkez delikli plakları çalarken, 45 rpm adaptör kullanın.
4. İğne kartuş koruyucu kapağına çıkarın



Pikap kolu desteğınden pikap kolu kilidini açın. Kaldırma kolunu geriye doğru itin, pikap kolu yavaşça yukarı kalkacaktır. Pikap kolunu plak üzerinde istenen konuma yavaşça götürün ve pikap platformu tablası kol ona doğru hareket ettirildiğinde eğer Otomatik Durdurma düğmesi ON durumunda ise dönmeye başlayacaktır. Kaldırma kolunu ileri doğru iterek pikap kolunu pikap platformu üzerine bırakın; vinil plak çalmaya başlayacaktır. Otomatik Kontrol Anahtarı ON durumunda ise, plak bittiğinde otomatik olarak duracaktır. Otomatik Durdurma Düğmesi OFF durumunda ise, plak bittiğinde otomatik olarak durmayacaktır; pikap kolunu kaldırmak için kaldırma kolunu geriye doğru itmeli ve destek üzerine yerleřtirmeli, ardından pikap platformunun dönmelerini durdurmak için gücü kapatmalısınız.

Açıklama: AUTO STOP (otomatik durdurma) fonksiyonu çoğı 33RPM vinil plak için geçerlidir. Ancak çok az sayıda vinil plak için sona gelmeden duracak veya AUTO STOP ON durumunda olduğunda sona gelince durmayacaktır.

NOT: Son parça bitmeden önce plağınız durursa, AUTO STOP düğmesini OFF konumuna getirin. Plağınız artık sonuna kadar çalacaktır, ancak pikap platformunun dönüşünü elle olarak durdurmanız gerekir.

NOT: Plak uzunluğına bağılı olarak, AUTO STOP, plak bitmeden etkin hale getirilebilir. Oynatmayı kapatmak için sadece AUTO STOP özelliğıne bağılı kalmayın.

### 3. Bluetooth'un dinlenmesi

Akıllı telefon veya tablet gibi Bluetooth Bağlantısına sahip harici bir cihaz, Bluetooth işlevi kullanılarak bu Pikap platformuna kablosuz olarak bağlanabilir.

1. POWER / VOLUME Düğmesi ile cihazı açın.
2. Pikap platformu açıldığında ve pikap kolu kol desteğine yerleştirildiğinde, Bluetooth modu otomatik olarak etkinleştirilir ve eşleştirme moduna geçer, LED ışığı yanıp söner.
3. Bluetooth cihazınızı pikap platformu ile ilk kez kullandığınızda, onları birbirine eşleştirmeniz gerekecektir.
4. Harici cihazınızın Bluetooth Ayarını ON durumuna getirin. Biraz bekleyin, ardından Bluetooth eşleştirme adını "Lenco LS-100" arayın. Cihazınız bir şifre isterse (cihaz üreticisine, modeline ve yazılım versiyonuna bağlı olarak), "0000" rakamlarını girin ve OK tuşuna basın.
5. Cihazı bağlamak için Bluetooth eşleştirme adını seçin. Bağlandıktan sonra Led ışığı yanıp sönmeyi durduracaktır.
6. Artık Bluetooth ile harici cihazınıza bağlısınız
7. Ses seviyesini ayarlamak ve harici ses cihazınızda ses kontrolünü ayarlamak için Ses Kontrol Düğmesini döndürün.

"Bu üründe Bluetooth alma fonksiyonu vardır, ürünler herhangi bir Bluetooth sesi iletemezsiniz: bu, akıllı telefon gibi harici bir kaynaktan kablosuz olarak Bluetooth ses sinyali alabileceğiniz anlamına gelir."

#### Yardımcı girişi dinleyin

1. 3,5 mm Stereo kablo (dahil değildir) kullanarak, harici bir ses cihazını ünitenin arkasındaki AUX IN soketine bağlayın.
2. POWER / VOLUME Düğmesi ile cihazı açın ve sesi uygun bir seviyeye ayarlayın.
3. Ses seviyesini ayarlamak için POWER/VOLUME kullanın ve Oynatma/Ses fonksiyonlarını kontrol etmek için harici ses cihazındaki kontrolleri kullanın

Not: Aux jakı kabloyla takıldığında, LS-100 Aux modunda kalır, plak veya Bluetooth'tan müzik dinlemek istiyorsanız Aux modundan çıkmak için kabloyu çıkarmanız gerekir.

Güç tasarrufu için otomatik bekleme (CE yönetmeliği): LS-100, +/- 15 dakika boyunca ses sinyali (plak veya Bluetooth) yoksa otomatik olarak bekleme moduna geçecektir. Cihazı yeniden aktif hale getirmek için aşağıdaki seçeneğiniz vardır:

- **Çalmaya başlamak için pikap kolunu plak ile birlikte pikap platformu tablasına getirin.**
- **POWER/VOLUME Düğmesini OFF durumuna ve sonra tekrar ON durumuna getirin.**

#### İĞNE NASIL DEĞİŞTİRİLİR

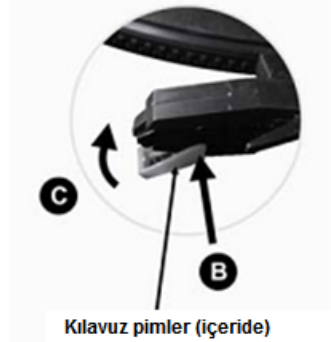
İğneyi değiştirmek için lütfen aşağıdaki talimatlara bakın.

İğnenin kartuştan çıkarılması

1. İğnenin ucuna bir tornavida yerleştirin ve gösterildiği gibi "A" yönünde aşağı doğru itin.
2. İğneyi ileri doğru çekip aşağı doğru iterek iğneyi çıkarın.

İğnenin Takılması

1. İğnenin ucunu tutun ve "B" yönünde gösterildiği gibi bastırarak iğneyi yerleştirin.
2. İğne uç konumuna kilitlenene kadar iğneyi "C" yönünde yukarı doğru itin.



#### NOTLAR

Maksimum keyif almak için plaklarınızı anti statik bir bezle temizlemenizi tavsiye ederiz.

Aynı nedenle iğnenizin periyodik olarak değiştirilmesi gerektiğini de belirtmek isteriz (yaklaşık olarak her 250 saat oynatmada bir kez)

<b>Lenco</b>	
<b>Pikap platformu</b>	<b>LS-100</b>
Tür	Kayış tahriki – tam manuel
Tahrik motoru	DC motoru
Hız	33, 45, 78 RPM
Pikap tablası	200mm
<b>Bluetooth</b>	
Versiyon	5.0
Frekans aralığı	2402MHz – 2480MHz
Maksimum iletim gücü	<8dbm
<b>Genel</b>	
Adaptör	Giriş AC100-240V~50/60Hz 0.8A
	Çıkış DC12V-2A
ÜRÜN	DC12V-2A
Güç tüketimi	24W
Boyut	Ana cihaz için 340x340x100mm; Hoparlör için 130x120x200mm
Ağırlık	Yaklaşık kg

## Güç Kaynağı Bilgisi

Bilgi	Değer ve kesinlik
Üreticinin adı veya ticari markası, ticari tescili ve adresi	<b>SHENZHEN SHI GUANGKAIYUAN TECHNOLOGY LTD</b> 2 floor, 41 TianSheng Road, TianLiao village, GongMing Street, Guangming, Shenzhen, Guangdong, Çin Halk Cumhuriyeti
Model Kodu	<b>GKYZT0200120KH / GKYZD0200120EU</b>
Giriş voltajı	120-240V
Giriş AC frekansı	50-60Hz
Çıkış voltajı	DC 12V
Çıkış akımı	2A
Çıkış Gücü	24W
Ortalama aktif verimlilik	%86.66
Düşük yükte verimlilik	%84.42
Yüksüz Güç tüketimi	0.08

ÜRÜN ÖMRÜ : 10 YIL

GARANTI SÜRESİ : 2 YIL

Uretici : Commaxx B.V.  
Wiebachstraat 37  
6466 NG Kerkrade Hollanda  
Tel : + 31 045-5778939  
E-mail : info@lenco.com

İthalatçı : Ece Elektronik Cihazlar End. Ltd  
Kemeraltı Cad Sefkat İşhanı No:1/3 Karakoy Istanbul TURKEY Tel : +90 212 293 79 24  
Fax :+90 212 251 33 65  
E-mail : info@ecelelektronik.com

Her türlü bakım tamir işlemi öncesi konu ile ilgili temas için :  
Ece Elektronik Cihazlar End. Ltd  
Kemeraltı Cad Sefkat İşhanı No:1/3  
Karakoy Istanbul TURKEY Tel : +90 212 293 79 24 Fax :+90 212 251 33 65  
E-mail : info@ecelelektronik.com

TEKNİK SERVİS :  
SERVİS ADI : AR-TEK RAMAZAN ALTUNTAŞ  
VERGİ DAİRESİ : ERCİYES  
VERGİ NO : 37477767716  
TELEFON NO : 352- 221 37 47  
HYB NO : 38-HYB-152  
ADRES :HUNAT MAHALLESİ ZENNECİ SOKAĞI No:14 I/-  
KAYSERİ

## **Garanti**

Lenco, Avrupa yasalarına göre hizmet ve garanti sunar; buna göre onarım durumunda (garanti süresi boyunca ve sonrasında) yerel satıcınıza başvurmanız gerekir.

Önemli not: Onarım gerektiren ürünleri doğrudan Lenco'ya göndermek mümkün değildir.

Önemli not: Bu cihaz resmi olmayan bir servis merkezi tarafından herhangi bir şekilde açılır veya erişilirse, garanti süresi sona erer.

Bu cihaz profesyonel kullanım için uygun değildir. Profesyonel kullanım durumunda, üreticinin tüm garanti yükümlülükleri geçersiz olacaktır.

## **Yasal uyarı**

Bellenim ve/veya donanım bileşenlerinde güncellemeler düzenli olarak yapılır. Bu nedenle, bu belgedeki talimatların, teknik özelliklerin ve resimlerin bazıları sizin özel durumunuzdan biraz farklı olabilir. Bu kılavuzda açıklanan tüm öğeler yalnızca açıklama amaçlıdır ve belirli durumlar için geçerli olmayabilir. Bu kılavuzda yapılan açıklamalardan dolayı bir yasal hak doğmaz.

## Eski Cihazın Bertarafı



Bu sembol, ilgili elektrikli ürünün veya pilin Avrupa'da genel evsel atık olarak atılmaması gerektiğini gösterir. Ürün ve pilde doğru atık işlemi yapılması için, lütfen bunları elektrikli ekipman ya da pillerin imhası için geçerli olan yerel yasalara uygun şekilde atın. Bu şekilde, elektrikli atıkların arıtılmasında ve bertaraf edilmesinde doğal kaynakların korunmasına ve çevre koruma standartlarının (Atık Elektrikli ve Elektronik Ekipman Direktifi) iyileştirilmesine yardımcı olacaksınız.

## UYGUNLUK BEYANI

Commaxx, işbu belgeyle [Lenco LS-100] telsiz ekipmanı tipinin 2014/53/EU direktifine uygun olduğunu beyan eder. AB uygunluk beyanının tam metnine aşağıdaki internet adresinden ulaşılabilir:

[https://commaxx-certificates.com/doc/ls-100\\_doc.pdf](https://commaxx-certificates.com/doc/ls-100_doc.pdf)

Tip RF	Frekans aralığı (MHz)	Güç (dBm)
Bluetooth	2402-2480	< 6

## Servis

Daha fazla bilgi ve yardım masası desteği için lütfen [www.lenco.com](http://www.lenco.com) adresini ziyaret edin. Commaxx B.V. Wiebachstraat 37, 6466 NG Kerkrade, Hollanda.

**FORSIGTIG:**

Hvis enheden ikke anvendes, justeres og behandles i overensstemmelse med brugervejledningen, kan det resultere i farlig stråling.

**FORHOLDSREGLER FØR IBRUGTAGNING****HUSK DISSE ANVISNINGER:**

1. Tildæk eller blokér ikke ventilationsåbningerne. Hvis enheden placeres på en hylde, skal der altid være 5 cm (2") frirum på alle sider af enheden.
2. Installer enheden iht. anvisningerne i den medfølgende brugervejledning.
3. Hold enheden på afstand af varmekilder som fx radiatorer, varmeapparater, ovne, stearinlys og andre varmegenererende produkter samt åben ild. Enheden er udelukkende til brug i tempererede klimazoner. Undgå stærk varme og kulde. Driftstemperatur mellem 0° og 35 °C.
4. Undlad at anvende enheden nær stærke magnetfelter.
5. Elektrostatisk udladning kan forstyrre denne enheds normale drift. Sker det, skal du blot nulstille og genstarte enheden iht. anvisningerne i betjeningsvejledningen. Under filoverførsel skal du handle med omhu og betjene enheden i et område fri for statisk elektricitet.
6. Advarsel! Stik aldrig genstande ind i enheden gennem ventilationsåbninger eller sprækker. Produktet indeholder strømførende dele, og hvis du stikker en genstand ind i enheden, kan det medføre elektrisk stød og/eller kortslutning af de indre dele. Af samme grund må du ikke spilde vand eller væske på produktet.
7. Benyt ikke enheden på våde eller fugtige steder som fx på et badeværelse, i et dampfyldt køkken eller nær en swimmingpool.
8. Enheden må ikke udsættes for dryp eller stænk. Der må ikke anbringes genstande fyldt med væske, som fx vaser, på eller i nærheden af apparatet.
9. Brug ikke enheden på steder, hvor der kan opstå kondens. Hvis enheden placeres i et varmt og fugtigt rum, kan der danne sig vanddråber eller kondens inde i den, og den kan muligvis ikke fungere korrekt. Lad enheden stå slukket i 1-2 timer, inden du tænder den. Enheden skal være tør, når der tændes for strømmen.
10. Trods det, at enheden er fremstillet med yderste omhu og kontrolleret flere gange før afsendelse fra fabrikken, kan det stadig forekomme, som med alle elektriske apparater, at der opstår problemer. Hvis du oplever røg eller overdreven varmeudvikling eller andre uventede fænomener, bør du omgående tage stikket ud af stikkontakten.
11. Denne enhed skal drives af en strømkilde som den, der er angivet på mærkepladen. Hvis du ikke er sikker på, hvilken forsyningsspænding, der anvendes i dit hjem, bør du søge vejledning hos din forhandler eller det lokale elselskab.
12. Hold enheden udenfor dyrs rækkevidde. Nogle kæledyr kan finde på at bide i strømførende ledninger.
13. Rengør enheden med en blød, tør klud. Brug ikke opløsningsmidler eller benzinbaserede væsker. Hårdnakkede pletter kan fjernes med en let fugtet klud med en mild sæbeopløsning.
14. Producenten er ikke ansvarlig for skade eller mistede data, der skyldes fejlfunktion, misbrug, ændringer af enheden eller udskiftning af batterier.
15. Undlad at afbryde forbindelsen, mens enheden formateres, eller der overføres filer. I modsat fald kan data blive beskadiget eller gå tabt.
16. Hvis enheden er udstyret med funktion til USB-afspilning, skal USB-sticken sættes direkte i apparatet. Brug ikke et USB-forlænger-kabel, da et sådant kan skabe interferens og føre til tab af data.
17. Mærkepladen findes i bunden eller på bagsiden af enheden.
18. Denne enhed må ikke bruges af personer (inkl. børn) med nedsatte fysiske motoriske eller mentale evner eller manglende erfaring, medmindre de er blevet instrueret i brugen af en person, der er ansvarlig for deres sikkerhed, og er under dennes opsyn.
19. Dette produkt er ikke beregnet til professionel eller industriel brug, det er udelukkende beregnet til privat brug.
20. Sørg for, at enheden er placeret stabilt. Skade, der skyldes anvendelse af produktet i en ustabil position, vibrationer, stød eller manglende overholdelse af de retningslinjer og andre advarsler, der er udstukket i denne brugervejledning, dækkes ikke af garantien.
21. Åbn aldrig enhedens kabinet.



22. Placér aldrig denne enhed ovenpå andet elektrisk udstyr.
23. Lad ikke børn få adgang til plastposer.
24. Brug kun tilslutninger/tilbehør, der er angivet af producenten.
25. Overlad alt servicearbejde til et kvalificeret serviceværksted. Service er påkrævet, hvis enheden på nogen måde er blevet beskadiget; hvis fx netledningen eller stikket er beskadiget, hvis der er spildt væske på enheden, eller hvis en genstand er faldet ned i den, hvis enheden har været udsat for regn eller fugt, ikke fungerer korrekt eller er blevet tabt.
26. Langvarig lytning for musik ved høj lydstyrke kan medføre midlertidigt eller permanent høretab.
27. Hvis produktet leveres med strømkabel eller strømforsyning til vekselstrøm:
  - Hvis der opstår problemer, skal du tage stikket ud af kontakten og overlade al service til kvalificeret tekniker.
  - Undlad at træde på eller klemme strømforsyningen. Vær forsigtig, især nær de steder, hvor stik og kabler er fastgjort. Undlad at placere tunge genstande på strømforsyningen, da dette vil kunne beskadige den. Hold hele enheden udenfor børns rækkevidde! Hvis børn leger med strømkabler, kan de komme slemt til skade.
  - Tag stikket ud af stikkontakten i tordenvejr, samt hvis du ikke skal bruge enheden i længere tid.
  - Enheden skal placeres nær stikkontakten, og der skal altid være let adgang til den stikkontakt, enheden er tilsluttet.
  - Undlad at overbelaste stikkontakter eller forlængerledninger. Overbelastning kan medføre brand eller elektrisk stød.
  - Enheder med klasse 1-opbygning bør forbindes til en stikkontakt med jord.
  - Enheder med klasse 2-opbygning kræver ikke jordforbindelse.
  - Hold altid i stikket, når du tager det ud af stikkontakten. Træk ikke i netledningen. Dette kan medføre kortslutning.
  - Brug ikke en beskadiget ledning eller stik eller en løs stikkontakt. Gør du det, kan det medføre brand eller elektrisk stød.
28. Hvis produktet indeholder eller leveres med en fjernbetjening indeholdende knapcellebatterier:
 

Advarsel:

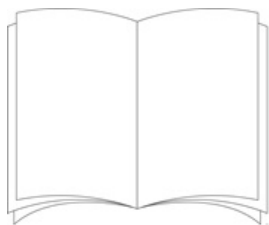
  - "Slug ikke batteriet, der er risiko for kemisk forbrænding" eller tilsvarende.
  - Fjernbetjeningen leveret med dette produkt indeholder et knapcellebatteri. Hvis batteriet sluges, kan det medføre alvorlige indre forbrændinger på blot 2 timer, hvilket kan medføre dødsfald.
  - Hold nye og brugte batterier udenfor børns rækkevidde.
  - Hvis batterirummet ikke kan lukkes sikkert, skal du holde op med at bruge produktet og holde det udenfor børns rækkevidde.
  - Hvis du tror, et batteri kan være blevet slugt eller placeret inden i nogen del af kroppen, skal du omgående søge lægehjælp.
29. Advarsler omkring brug af batterier:
  - Eksplosionsfare, hvis batteriet udskiftes med et andet af forkert type. Udskift udelukkende med samme eller tilsvarende type.
  - Batteriet må ikke udsættes for ekstremt høje eller lave temperaturer eller lavt lufttryk ved stor højde under brug, opbevaring eller transport.
  - Udskiftning af et batteri med et andet af forkert type kan medføre eksplosion eller lækage af brændbar væske eller gas.
  - Bortskaffelse af batterier ved afbrænding eller i en varm ovn eller ved mekanisk knusning eller opskæring af et batteri kan medføre en eksplosion.
  - Hvis et batteri efterlades i omgivelser med ekstremt høje temperaturer, kan det medføre eksplosion eller lækage af brændbar væske eller gas.
  - Hvis et batteri udsættes for ekstremt lavt lufttryk, kan det medføre eksplosion eller lækage af brændbar væske eller gas.
  - Tænk på miljøet ved bortskaffelse af brugte batterier.

#### INSTALLATION

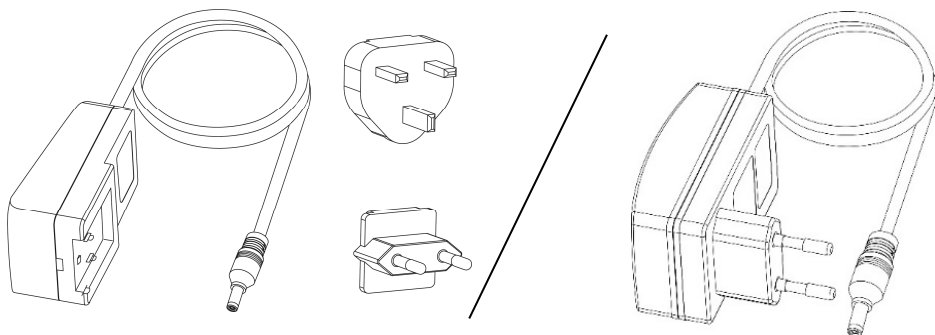
- Udpak alle dele, og fjern beskyttelsesmaterialerne.
  - Slut ikke enheden til lysnettet, før du har kontrolleret forsyningsspændingen og foretaget alle nødvendige tilslutninger.
- \* Anvisningerne er udelukkende beregnet til produkter, der anvender strømkabel eller strømforsyning til vekselstrøm.

## Tilbehøret omfatter:

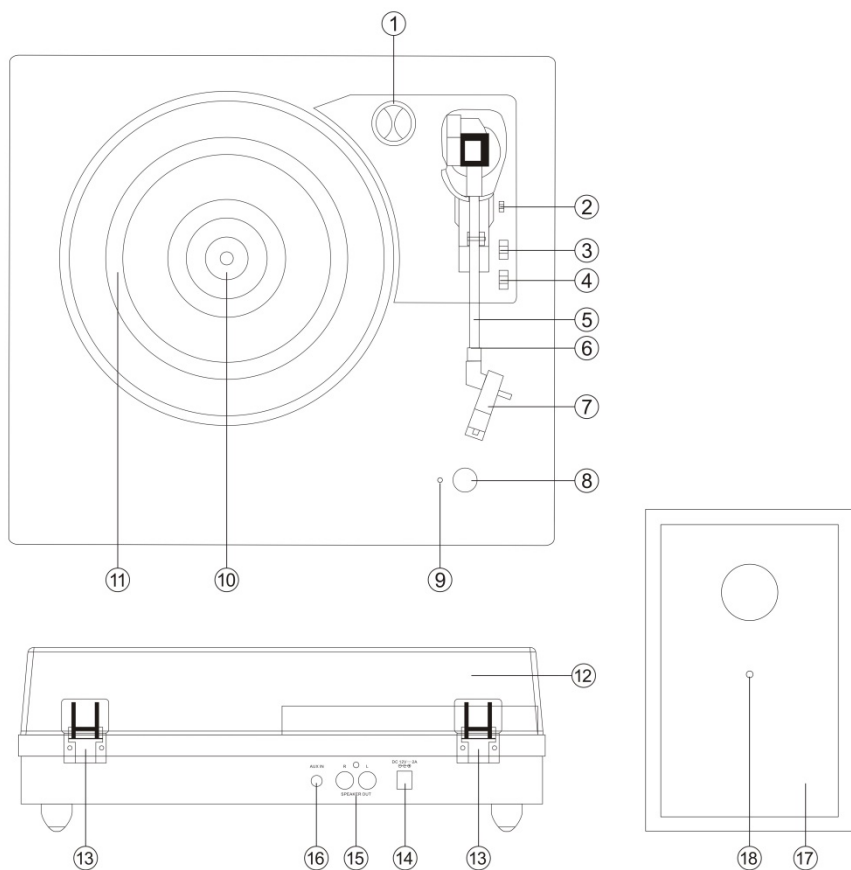
Brugervejledning



Strømforsyning



## 1. OVERSICHT OVER PLADESPILLER:



1. 45 o/min. singleadapter
2. Løftehåndtag
3. Kontrolknop til automatisk stop
4. Hastighedsvælger
5. Tonearm
6. Tonearmslås
7. Pickup
8. Drejeknappen POWER/VOLUME
9. LED-kontrollampe for strøm
10. Spindel
11. Pladetallerken
12. Aftageligt støvlåg
13. Hængsel
14. Strømforsyningsstik
15. Stik til eksterne højttalere
16. Aux in-stik
17. Eksterne højttalere
18. Højttalerkabel fra ekstern højttaler

## OPSÆTNING

En strømforsyning med en udgangsspænding på 12 V jævnstrøm 2,0 A leveres med denne pladespiller med Bluetooth og højttalere i trækabinnet. Strømforsyningen er nødvendig til drift af denne enhed.

Slut højttalerkablerne fra hver højttaler til terminalerne på bagsiden af enheden.

Bemærk: Kablerne til de eksterne højttalere er farvekodede. Kablet med det røde stik skal sluttes til den røde terminal, og det hvide stik til den hvide terminal.

Slut strømforsyningens DC-stik til terminalen mærket DC IN på bagsiden af enheden.

Slut strømforsyningens AC-stik til en stikkontakt med 220-240 V 50 Hz.

Tænd enheden med drejeknappen POWER/VOLUME. LED-kontrollampen for strøm lyser op.

**Bemærk: For at undgå Larsen-effekt eller feedback kan du gøre følgende:**

1. Placér højttalerne på en afstand af mindst 60 cm fra pladespilleren
2. Lad støvlåget stå åbent, når du afspiller en plade ved høj lydstyrke

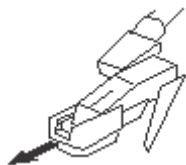
## Opstart og valg af tilstand

Tænd enheden med drejeknappen POWER/VOLUME. Du hører et lydssignal som tegn på, at enheden er i Bluetooth-tilstand.

Når du fører tonearmen ind til vinylpladen, skifter pladespilleren til vinyl-tilstand, og Bluetooth-tilstand deaktiveres automatisk. Før tonearmen tilbage til tonearmholderen for at skifte tilbage til Bluetooth-tilstand.

## 2. Afspilning af plade

1. Løft støvlåget
2. Tænd enheden med drejeknappen POWER/VOLUME. LED-kontrollampen for strøm lyser RØDT.
3. Læg en plade på pladetallerkenen, og indstil hastigheden på pladespilleren, så den passer til hastigheden for pladen.  
Bemærk: Brug adapteren til 45 o/min, når du afspiller en single (plade til 45 o/min.) og/eller plader med et stort hul i midten af pladen.
4. Tag beskyttelseshætten af pickupnålen



Lås tonearmslåsen på tonearmholderen op. Skub løftehåndtaget bagud. Tonearmen hæver sig forsigtigt. Flyt tonearmen forsigtigt til det ønskede sted over pladen. Pladetallerkenen begynder at køre rundt, når armen bevæges hen mod tallerkenen, hvis kontrolknappen til automatisk stop er slået til. Sænk tonearmen ned mod pladetallerkenen ved at skubbe løftehåndtaget fremad. Pladen bliver nu afspillet.

Hvis kontrolknappen til automatisk stop står på ON, stopper pladen automatisk, når den er spillet færdig. Hvis kontrolknappen til automatisk stop er slået fra, stopper pladen IKKE automatisk, når den er slut. Du skal skubbe løftehåndtaget bagud for at løfte tonearmen, sætte armen tilbage på støtten og derefter slukke strømmen for at stoppe pladetallerkenen.

Bemærk: Funktionen AUTOMATISK STOP virker sammen med de fleste plader på 33 o/min. For meget få plader gælder dog, at den stopper, når den ikke har nået slutningen, eller den stopper ikke, når den når slutningen, når AUTOMATISK STOP er slået til.

BEMÆRK: Hvis afspilningen af pladen stopper, før pladen er spillet til ende, skal du slå AUTOMATISK STOP fra. Din plade afspilles nu fuldt ud, men du skal afbryde pladespillerens rotation manuelt.

BEMÆRK: Afhængigt af pladens længde kan du aktivere AUTOMATISK STOP før slutningen af pladen. Brug ikke udelukkende AUTOMATISK STOP til at afbryde afspilningen.

### 3. Afspilning af Bluetooth

En ekstern Bluetooth-enhed, som fx en smartphone eller tablet, kan forbindes trådløst til denne enhed via Bluetooth-funktionen.

1. Tænd enheden med drejeknappen POWER/VOLUME.
  2. Når pladespilleren er tændt, og tonearmen hviler på tonearmholderen, bliver Bluetooth-parringstilstand automatisk aktiveret, og LED-kontrollampen blinker
  3. Første gang, du anvender din Bluetooth-enhed med pladespilleren, skal de to enheder parres.
  4. Tænd din eksterne enhed, og aktivér dens Bluetooth. Vent et øjeblik, og søg dernæst efter Bluetooth-navnet "Lenco LS-100". Hvis din enhed beder om en adgangskode (afhængigt af enhedens producent, model og softwareversion), skal du indtaste koden "0000" og trykke på OK.
  5. Vælg Bluetooth-navnet for at oprette forbindelse. Når forbindelsen er oprettet, holder LED-kontrollampen op med at blinke.
  6. Enheden er nu forbundet til din eksterne enhed via Bluetooth
  7. Drej lydstyrkeknappen for at indstille lydstyrken, og justér lydstyrken på din eksterne enhed.
- "Dette produkt har en Bluetooth **modtagefunktion, men du kan ikke overføre lyd via Bluetooth fra den:** Det betyder, at du kan modtage trådløs lyd via Bluetooth fra en ekstern kilde som fx en smartphone."

#### Afspilning via AUX IN

1. Brug et stereokabel med 3,5 mm jackstik (tilkøb) ved tilslutning af en ekstern enhed til AUX IN-stikket på bagsiden af enheden.
2. Tænd enheden på drejeknappen POWER/VOLUME, og justér lydstyrken til det ønskede niveau.
3. Brug drejeknappen POWER/VOLUME til justering af lydstyrken, og brug kontrollerne på den eksterne lydenhed til styring af afspilning/lydstyrke

Bemærk: Når du slutter et kabel til AUX IN-stikket, aktiverer LS-100 Aux-tilstand. Du skal fjerne kablet for at afslutte Aux-tilstand, hvis du vil lytte til en plade eller afspille via Bluetooth

Strømsparefunktion med automatisk standby (CE-regulativ): **LS-100 går automatisk på standby, hvis den ikke har modtaget noget audiosignal (plade eller Bluetooth) i ca. 15 minutter. Du kan vække enheden igen på en af følgende måder:**

- **Før tonearmen ind til pladen på pladetallerkenen for at starte afspilning.**
- **Drej drejeknappen POWER/VOLUME over på OFF og tilbage på ON igen.**

#### SÅDAN UDSKIFTES NÅLEN

Hvis du har brug for at udskifte nålen, skal du følge vejledningen herunder.

Sådan tages nålen ud af pickuppen

1. Placér en skruetrækker ved spidsen af nålen, og tryk nedad som vist på fig. "A".
2. Tag nålen ud ved at trække den fremad og nedad.

Sådan isættes nålen

1. Hold i spidsen af nålen, og før den ind i pickuppen, som vist på fig. "B".
2. Skub nålen opad i retning "C", indtil nålen klikker på plads.



#### NOTER

Vi anbefaler, at du renser dine plader med en antistatisk klud for at opnå den bedst mulige lyd kvalitet fra dem. Af samme grund anbefaler vi, at nålen udskiftes med jævne mellemrum (efter ca. hver 250 timers afspilning).

Lenco	
Pladespiller	LS-100
Type	Remdrev, fuldt manuelt
Drevmotor	DC-motor
Hastighed	33, 45, 78 o/min.
Pladetallerken	200 mm
Bluetooth	
Version	5.0
Frekvensområde	2402 MHz til 2480 MHz
Maks. sendeeffekt	<8 dbm
Generelt	
STRØMFORSYNING	indgangsspænding vekselstrøm 100-240 V 50/60 Hz 0,8 A
	udgangsspænding jævnstrøm 12 V-2 A
PRODUKT	Jævnstrøm 12 V-2 A
Strømforbrug	24 W
Mål	Hovedenhed: 340 x 320 x 100 mm; højttaler: 130 x 120 x 200 mm
Vægt	Ca. 4,12 kg

#### Strømforsyning

**Producent:** SHENZHEN SHI GUANGKAIYUAN TECHNOLOGY LTD

**Modelnr.:** GKYZT0200120KH / GKYZD0200120EU

## Brug kun den strømforsyning, der er angivet i betjeningsvejledningen.

Information	Værdi
Producentens navn eller varemærke, kommercielle registrering og adresse	<b>SHENZHEN SHI GUANGKAIYUAN TECHNOLOGY LTD</b> 2 floor, 41 TianSheng Road, TianLiao village, GongMing Street, Guangming, Shenzhen, Guangdong, Folkerepublikken Kina
Modelnr.	<b>GKYZT0200120KH / GKYZD0200120EU</b>
Indgangsspænding	100-240 V
AC-indgangsfrekvens	50-60 Hz
Udgangsspænding	Jævnstrøm 12 V
Udgangsstrøm	2 A
Udgangseffekt	24 W
Gns. aktiv effektivitet	86,66 %
Effektivitet ved lav belastning (10 %)	84,42 %
Strømforbrug ved ingen belastning	0,08

## Garanti

Lenco tilbyder service og garanti i overensstemmelse med europæisk lovgivning, hvilket betyder, at i tilfælde af reparation (både under og efter garantiperiodens udløb) bør du kontakte din lokale forhandler.

Vigtig meddelelse: Det er ikke muligt at sende produktet direkte til Lenco, hvis det kræver reparation.

Vigtig meddelelse: Hvis enheden åbnes eller på nogen måde tilgås af et ikke-godkendt servicecenter, bortfalder garantien.

Denne enhed er ikke egnet til professionel brug. I tilfælde af professionel brug bortfalder alle garantiforpligtelser fra producentens side.

## Ansvarsfraskrivelse

Firmware og/eller hardwarekomponenter opdateres regelmæssigt. Derfor kan visse dele af vejledningen, specifikationerne og illustrationerne i vejledningen variere en smule fra dit faktiske produkt. Alle elementer, der beskrives i denne vejledning, er kun til illustration og gælder måske ikke i den givne situation. Ingen juridisk ret eller rettighed kan opnås fra beskrivelsen i denne vejledning.

## Bortskaffelse af udtjente enheder



Dette symbol angiver, at det relevante elektriske produkt eller batteri indenfor Europa ikke må bortskaffes med almindeligt husholdningsaffald. For at sikre korrekt affaldsbehandling af produktet og batteriet skal du bortskaffe dem i overensstemmelse med gældende lokal lovgivning om bortskaffelse af elektrisk udstyr eller batterier. På den måde hjælper du med at bevare naturressourcer og forbedre miljøbeskyttelsen indenfor behandling og bortskaffelse af elektrisk affald (Direktiv om affald af elektrisk og elektronisk udstyr).

### OVERENSSTEMMELSESERKLÆRING

Hermed erklærer Commaxx, at radioudstyrstypen [Lenco LS-100] er i overensstemmelse med direktiv 2014/53/EU. EU-overensstemmelseserklæringens fulde tekst kan findes på følgende internetadresse:

[https://commaxx-certificates.com/doc/ls-100\\_doc.pdf](https://commaxx-certificates.com/doc/ls-100_doc.pdf)

Type RF	Frekvensområde (MHz)	Effekt (dBm)
Bluetooth	2402-2480	< 6

### Service

Gå ind på [www.lenco.com](http://www.lenco.com) for yderligere oplysninger og support fra vores helpdesk. Commaxx B.V. Wiebachstraat 37, NL-6466 NG Kerkrade, Nederlandene.



**VAR FÖRSIKTIG:**

Att använda kontroller eller justeringar eller utföra andra förfaranden än de som anges häri kan leda till att du utsätts för farlig strålning.

**FÖRSIKTIGHETSÅTGÄRDER INNAN ANVÄNDNING****HA DESSA INSTRUKTIONER I ÅTANKE:**

1. Täck inte över eller blockera några ventilationsöppningar. När enheten placeras på en hylla bör det lämnas 5 cm ledigt utrymme runt hela enheten.
2. Montera i enlighet med den medföljande användarmanualen.
3. Håll enheten borta från värmekällor såsom radiatorer, värmare, spisar, ljus och andra värmegenererande produkter eller öppen eld. Enheten kan endast användas i måttliga klimat. Extremt kalla eller varma omgivningar bör undvikas. Drifttemperatur mellan 0 och 35 °C.
4. Undvik att använda enheten nära starka magnetfält.
5. Elektrostatisk urladdning kan störa den normala användningen av den här enheten. Återställ och starta om enheten enligt instruktionsboken om så är fallet. Hantera försiktigt och använd i en statiskt fri miljö vid filöverföring.
6. Varning! För aldrig in ett föremål i produkten genom ventilerna eller öppningarna. Högspänning flödar genom produkten och om du för in ett föremål kan det orsaka elektriska stötar och/eller kortslutning av interna komponenter. Spill inte vatten eller vätska på produkten av samma anledning.
7. Använd inte i våta eller fuktiga områden såsom badrum, ångfyllda kök eller i närheten av simbassänger.
8. Enheten får inte utsättas för dropp eller stänk och se till att inga föremål fyllda med vätskor såsom vaser placeras på eller i närheten av den.
9. Använd inte den här enheten när kondens kan uppstå. När enheten används i ett varmt och fuktigt rum kan vattendroppar eller kondens uppstå inuti enheten och enheten kanske inte fungerar som den ska. Låt enheten vara avstängd i en eller två timmar innan du slår på strömmen igen. Enheten ska vara torr innan strömmen slås på.
10. Även om denna enhet tillverkas med största omsorg och kontrolleras flera gånger innan den lämnar fabriken är det fortfarande möjligt att problem kan uppstå vilket gäller alla elektriska apparater. Om du märker rök, kraftig uppbyggnad av värme eller andra oväntade fenomen ska du omedelbart dra ur kontakten ur eluttaget.
11. Enheten måste drivas med en strömkälla såsom anges på de särskilda märkningskraven. Kontakta din återförsäljare eller lokala elbolag om du är osäker på vilken typ av strömförsörjning som används i ditt hem.
12. Håll på säkert avstånd från husdjur. Vissa djur kan bita på elkablar.
13. Använd en mjuk och torr trasa för att rengöra enheten. Använd inte lösningsmedel eller bensinbaserade vätskor. För att ta bort allvarliga fläckar kan du använda en fuktigt trasa med utspätt rengöringsmedel.
14. Leverantören ansvarar inte för skador eller förlorade data orsakade av fel, missbruk, modifiering av enheten eller batteribyte.
15. Avbryt inte anslutningen när enheten formaterar eller överför filer. Data kan då bli skadade eller förloras.
16. Om enheten har en funktion med USB-uppspelning bör USB-minnet anslutas direkt till enheten. Använd inte en USB-förlängningskabel eftersom den kan orsaka störningar som kan leda till att data tappas bort.
17. Klassificeringsetiketten är placerad på enhetens undersida eller baksida.
18. Den här enheten är inte avsedd för att användas av personer (inklusive barn) med fysiska, sensoriska eller psykiska funktionshinder eller brist på erfarenhet och kunskap såvida de inte är under övervakning av eller har fått instruktioner om korrekt användning av enheten av den person som ansvarar för deras säkerhet.
19. Den här produkten är endast avsedd för icke-professionell användning och inte för kommersiellt eller industriellt bruk.
20. Se till att enheten är justerad till en stabil position. Skador orsakade av att använda den här produkten i ett instabilt läge med vibrationer eller stötar eller av att inte följa någon annan varning eller försiktighetsåtgärd i denna användarmanual täcks inte av garantin.
21. Ta aldrig bort enhetens hölje.

22. Placera aldrig enheten på annan elektrisk utrustning.
23. Låt inte barn ha tillgång till plastpåsar.
24. Använd endast tillbehör som anges av tillverkaren.
25. Överlåt all service till kvalificerad servicepersonal. Service krävs när enheten har skadats på något sätt, exempelvis på strömkabeln eller strömkontakten, när vätska har spillts eller föremål fallit in i den, när den har utsatts för regn eller fukt och inte fungerar normalt eller har tappats.
26. Lång exponering för höga ljud från musikspelare kan leda till tillfällig eller permanent hörselnedsättning.
27. Om produkten levereras med strömkabel eller nätadapter:
  - Dra ur strömkabeln och kontakta behörig personal för service om ett problem uppstår.
  - Trampa inte på nätadaptern och kläm den inte. Var mycket försiktig och då särskilt nära kontakter och kabelns uttag. Placera inte tunga föremål på nätadaptern då detta kan skada den. Håll hela enheten utom räckhåll för barn! När de leker med strömkabeln kan de skada sig själva.
  - Koppla ur denna enhet under åskväder eller när den inte används under en längre period.
  - Eluttaget måste finnas nära utrustningen och måste vara lättillgängligt.
  - Överbelasta inte eluttaget eller förlängningssladdar. Överbelastning kan orsaka brand eller elektriska stötar.
  - Enheter med klass 1-konstruktion bör anslutas till ett vägguttag med skyddsjord.
  - Enheter med klass 2-konstruktion kräver ingen jordad anslutning.
  - Håll alltid i kontakten när du drar ut den ur vägguttaget. Dra inte i strömkabeln. Detta kan orsaka en kortslutning.
  - Använd inte en skadad strömkabel, strömkontakt eller ett löst vägguttag. Om du gör detta kan det orsaka brand eller elektriska stötar.
28. Om produkten innehåller eller levereras med en fjärrkontroll som innehåller mynt/cellbatterier:

Varning:

  - "Svälj inte batterier då kemiska brännskador" eller motsvarande kan uppstå.
  - [Den medföljande fjärrkontrollen] Denna produkt innehåller ett knappcells batteri. Om batteriet sväljs kan det orsaka allvarliga inre brännskador på bara två timmar och vara livshotande.
  - Håll nya och använda batterier borta från barn.
  - Om batterifacket inte går att stänga ordentligt bör du sluta använda produkten och hålla den borta från barn.
  - Om du tror att batterier har svalts eller finns någonstans i kroppen ska du omedelbart söka läkarvård.
29. Varning om användning av batterier:
  - Explosionsrisk om batteriet byts ut felaktigt. Byt endast ut mot samma eller motsvarande typ.
  - Batteriet får inte vid användning, förvaring eller transport utsättas för extremt höga eller låga temperaturer samt lågt lufttryck vid hög höjd.
  - Att byta ut ett batteri mot en felaktig typ kan leda till en explosion eller läckage av brandfarlig vätska eller gas.
  - Kassering av ett batteri i eld, en varm ugn, mekaniskt krossning eller skärning av det kan resultera i en explosion.
  - Att lämna ett batteri i en omgivning med extremt hög temperatur kan resultera i en explosion eller läckage av brandfarlig vätska eller gas.
  - Ett batteri som utsätts för extremt lågt lufttryck kan leda till en explosion eller läckage av brandfarlig vätska eller gas.
  - Miljöaspekterna bör uppmärksammas när det gäller kassering av batterier.

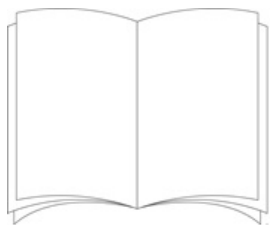
## **MONTERING**

- Packa upp alla delar och ta bort skyddsmaterialet.
- Anslut inte enheten till elnätet innan du kontrollerar nätspänningen och att alla andra anslutningar har gjorts.

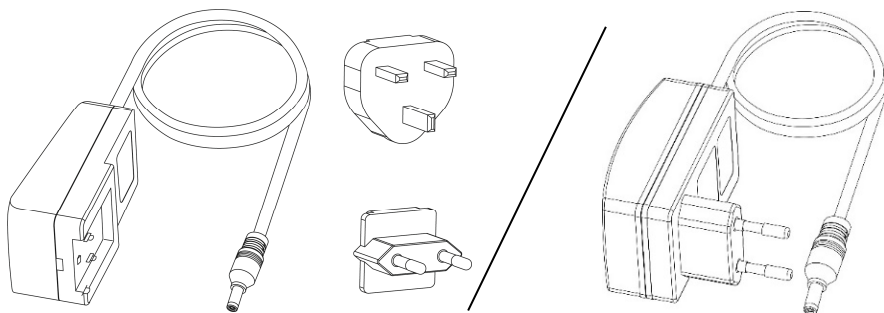
\* Dessa anvisningar gäller endast för produkter som använder strömkabel eller strömadapter.

## Tillbehör som medföljer:

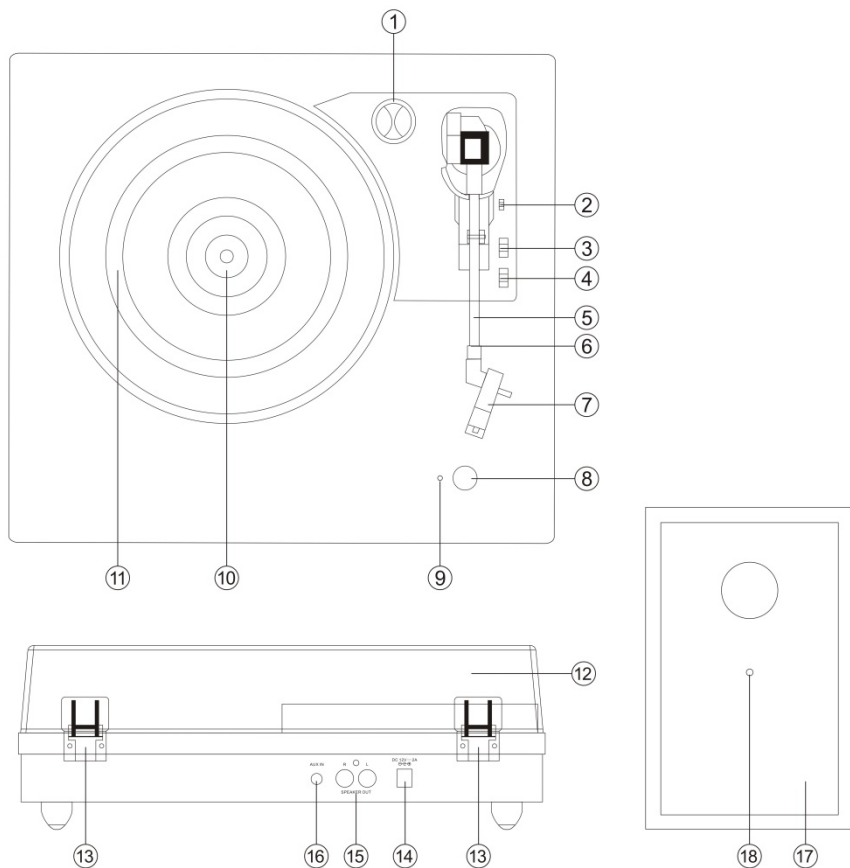
Bruksanvisning



Strömadapter



## 1. SKIVSPELARENS DELAR:



1. 45 rpm adapter
2. Lyftspak
3. Omkopplare för automatiskt stopp
4. Omkopplare för val av varvtal
5. Tonarm
6. Lås för tonarm
7. Pickup
8. Reglage för STRÖM/VOLYM
9. LED-indikator för ström
10. Spindel
11. Skivtallrik
12. Borttagbart dammskydd
13. Gångjärn
14. Uttag för strömadapter
15. Uttag för externa högtalare
16. Aux in-uttag
17. Externa högtalare
18. Högtalarkabel för externa högtalare

## KONFIGURATION

En AC/DC-adapter med en utmatning på 12 VDC/2 A medföljer den här skivspelaren med Bluetooth-mottagning och högtalare i trä. Adaptern krävs för att använda enheten.

Anslut varje högtalares högtalarkablar till baksidan av enheten

Obs: De externa högtalarkablarna är färgkodade. Kabeln med den röda kontakten ska anslutas till det röda uttaget och den vita till det vita.

Anslut ordentligt DC-kontakten på adaptern till DC IN-uttaget på baksidan av enheten.

Anslut adapterns AC-kontakter till ett eluttag som med 220–240 VAC/50 Hz.

Slå på enheten med reglaget STRÖM/VOLYM. LED-indikatorn för ström tänds.

**Anmärkning: Utför följande för att undvika Larsen-effekten eller rundgång:**

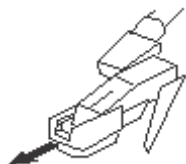
1. Placera högtalarna på minst 60 cm avstånd eller mer från skivspelaren
2. Låt dammskyddet vara öppet när en skiva spelas upp med en högre ljudvolym

## Ström på och lägesval

Slå på enheten med reglaget STRÖM/VOLYM. En ljudavisering hörs vilket innebär att läget Bluetooth är aktivt. När tonarmen placeras på vinylskivan växlar skivspelaren till läget Vinylskiva och Bluetooth inaktiveras automatiskt. Placera tonarmen på vaggan igen för att växla tillbaka till läget Bluetooth.

## 2. Lyssna på en skiva

1. Lyft dammskyddet
2. Slå på enheten med reglaget STRÖM/VOLYM. LED-indikator för ström lyser RÖTT.
3. Placera en skiva på skivtallriken och ställ in skivspelarens varvtal till den matchar skivans varvtal. Obs! När du spelar upp en singel (en 45 rpm skiva) och/eller skivor med stora centerhål ska en 45 rpm adapter användas.
4. Ta bort pickupens skyddslock



Lås upp tonarmslåset på tonarmens vagg. Tryck lyftspaken bakåt. Tonarmen höjs långsamt. Flytta tonarmen försiktigt till önskad position över skivan. Tallriken börjar rotera när armen flyttas mot den om omkopplaren för automatiskt stopp är PÅ. Släpp ned tonarmen på skivan genom att trycka lyftspaken framåt. Vinylskivan börjar spelas upp.

Om omkopplaren för automatisk kontroll är PÅ stoppas skivan automatiskt när den har nått slutet. Om omkopplaren för automatiskt stopp är AV stoppas INTE skivan automatiskt när den har nått slutet. Du måste föra lyftspaken bakåt för att höja tonarmen och placera tillbaka den på vaggan. Stäng sedan av strömmen för att stoppa skivspelaren från att snurra.

Anmärkning: Funktionen AUTOMATISKT STOPP gäller för de flesta vinylskivor med 33 rpm. För ett mycket litet antal vinylskivor stannar den innan slutet av skivan nås. Alternativt stannar den inte när den kommer till slutet och AUTOMATISKT STOPP är PÅ.

OBS! Om skivan stannar innan det sista spåret har spelats upp ska du ställa omkopplaren för AUTOMATISKT STOPP till AV. Skivan spelas nu upp till slutet. Du måste dock stoppa skivspelarens rotation manuellt.

OBS! Beroende på inspelningslängden kan AUTOMATISKT STOPP aktiveras innan inspelningen är slut. Lita inte endast på AUTOMATISKT STOPP för att avbryta uppspelningen.

### 3. Lyssna med Bluetooth

En extern enhet med Bluetooth såsom en smarttelefon eller platta kan anslutas trådlöst till den här skivspelaren via Bluetooth-funktionaliteten.

1. Slå på enheten med reglaget STRÖM/VOLYM.
2. När skivspelaren är påslagen och tonarmen är placerad på vaggan aktiveras Bluetooth-läget automatiskt och öppnar parkopplingsläget. LED-lampan blinkar för att indikera detta läge
3. Första gången en Bluetooth-enhet används med skivspelaren måste de parkopplas.
4. Aktivera den externa enhetens Bluetooth. Vänta ett ögonblick och leta sedan efter parkopplingsnamnet för Bluetooth "Lenco LS-100". Om enheten ber om ett lösenord (beroende på tillverkare, modell och programversion) ska "0000" anges. Tryck sedan på OK.
5. Välj parkopplingsnamnet för Bluetooth för att ansluta enheten. När den är ansluten slutar LED-lampan att blinka.
6. Den externa enheten är nu ansluten via Bluetooth
7. Vrid på volymreglaget för att justera ljudnivån samt justera volymkontrollen på den externa ljudenheten. "Denna produkt har en funktion för **mottagning** av Bluetooth, **men det går inte att överföra något bluetooth-ljud med den**. Detta betyder att du trådlöst kan ta emot en bluetooth-ljudsignal från en extern källa som till exempel en smartphone."

#### Lyssna med Aux in

1. Använd en 3,5 mm stereokabel (ingår ej) och anslut en extern ljudenhet till AUX IN-uttaget på baksidan av enheten.
2. Slå på enheten med reglaget STRÖM/VOLYM och justera volymen till lämplig nivå.
3. Använd reglaget STRÖM/VOLYM för att justera volymen och använd kontrollerna på den externa ljudenheten för att kontrollera funktionerna uppspelning/volym

Obs! Medan en kabel är ansluten till Aux-uttaget förblir LS-100 läget Aux. För att lyssna på en inspelning eller musik via Bluetooth måste kabeln kopplas bort för att inaktivera läget Aux

Automatisk standby för energibesparing (CE-reglering): **LS-100 aktiverar automatiskt standby-läget om ingen ljudsignal detekteras (inspelning eller Bluetooth) under +/- 15 minuter. Enheten kan återaktiveras med valen nedan:**

- **Flytta tonarmen till skivtallriken med en skiva för att börja spela upp.**
- **Vrid på reglaget STRÖM/VOLYM till AV och sedan till PÅ igen.**

#### BYTA UT NÅLEN

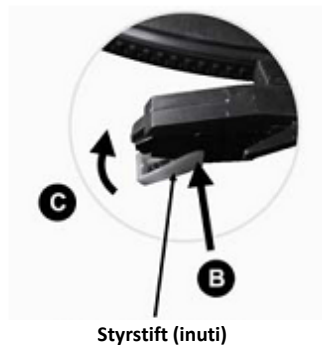
Se anvisningarna nedan för att byta ut nålen.

Ta bort nålen från pickupen

1. Placera en skruvmejsel på spetsen av nålen och tryck nedåt i riktningen som visas på bild "A".
2. Ta bort nålen genom att dra den framåt och trycka nedåt.

Montera nålen

1. Håll i spetsen på nålen och för in den genom att trycka såsom visas på bild "B".
2. Tryck nålen uppåt i den riktning som visas på bild "C" till den låses fast på plats.



#### OBS

Vi råder dig att rengöra skivor med en antistatisk trasa för att få ut maximal upplevelse från dem.

Vi rekommenderar, av samma orsak, att nålen bör bytas med jämna mellanrum

(cirka varje 250 uppspelningstimmar).

Lenco	
Skivspelare	LS-100
Typ	Komplett bruksanvisning för remdrift
Drivmotor	DC-motor
Varvtal	33, 45, 78 rpm
Skivtallrik	200 mm
Bluetooth	
Version	5.0
Frekvensintervall	2402 MHz – 2480 MHz
Maximal transmissionseffekt	< 8 dbm
Allmänt	
ADAPTER	inmatning 100–240 VAC, 50/60 Hz, 0,8 A
	utmatning 12 VDC, 2 A
PRODUKT	12 VDC, 2 A
Energiförbrukning	24 W
Mått	340 x 320 x 100 mm för huvudenhet. 130 x 120 x 200 mm för högtalare
Vikt	Cirka 4,12 kg

#### Nätadapter

Tillverkare: SHENZHEN SHI GUANGKAIYUAN TECHNOLOGY LTD

Modellnummer: GKYZT0200120KH / GKYZD0200120EU

## Använd endast den strömförsörjning som anges i bruksanvisningen

Information	Värde och precision
Tillverkarens namn eller varumärke, kommersiell registrering och adress	<b>SHENZHEN SHI GUANGKAIYUAN TECHNOLOGY LTD</b> 2 floor, 41 TianSheng Road, TianLiao village, GongMing Street, Guangming, Shenzhen, Guangdong, Kina
Modellbeteckning	<b>GKYZT0200120KH / GKYZD0200120EU</b>
Inspänning	100–240 V
Inspänningens frekvens	50-60 Hz
Utspänning	DC 12 V
Utström	2 A
Uteffekt	24 W
Genomsnittlig verkningsgrad i aktivt läge	86,66 %
Effektförbrukning vid låg belastning (10 %)	84,42 %
Effektförbrukning utan belastning	0,08

## Garanti

Lenco erbjuder service och garanti i enlighet med europeisk lagstiftning, vilket innebär vid fall av reparationer (både under och efter garantins giltighetsperiod) ska du kontakta din lokala återförsäljare.

Viktigt: det går inte att skicka produkter som behöver repareras direkt till Lenco.

Viktigt: om denna enhet öppnas eller på något sätt tas omhand av ett icke-officiellt servicecenter så upphör garantin.

Denna enhet är inte lämplig för yrkesmässig användning. Vid yrkesmässig användning, upphör samtliga garantier från tillverkaren att gälla.

## Friskrivningsklausul

Uppdateringar av hård mjukvara och/eller hårdvarukomponenter görs regelbundet. Därmed kan vissa anvisningar, specifikationer och bilder i denna dokumentation skilja sig något från din särskilda situation. Alla artiklar beskrivna in denna guide är endast för illustration och kan inte tillämpas på någon speciell situation. Inga juridiska rättigheter eller anspråk kan erhållas från beskrivningen i denna manual.



## Bortskaffande av gammal enhet



Denna symbol anger att den relevanta elektriska produkten eller batteriet ska inte kasseras i det allmänna hushållsavfallet i Europa. När den korrekta avfallsbehandlingen för produkten och batteriet ska säkerställas, ska elektrisk utrustning eller batterier kasseras i enlighet med varje krav på tillämplig lokal lagstiftning. Genom detta handlande, bidrar du till att återvinna naturresurser och förbättra normer för miljöskydd och kassering av elektrisk avfall (elektrisk och elektronisk utrustning).

## FÖRSÄKRAN OM ÖVERENSSTÄMMELSE

Härmed intygar Commaxx att radioutrustningen av typen [Lenco LS-100] överensstämmer med direktiv 2014/53/EU. Den fullständiga texten gällande EU-försäkran om överensstämmelse finns på följande internetadress:

[https://commaxx-certificates.com/doc/ls-100\\_doc.pdf](https://commaxx-certificates.com/doc/ls-100_doc.pdf)

RF-typ	Frekvensområde (MHz)	Effekt (dBm)
Bluetooth	2 402–2 480	< 6

## Service

För mer information och support via vår helpdesk går du till [www.lenco.com](http://www.lenco.com)  
Commaxx B.V. Wiebachstraat 37, 6466 NG Kerkrade, Nederländerna.





