

Lenco

Model: CR-630



USER MANUAL	DAB+/FM Stereo Clock radio
HANDLEIDING	DAB+/FM-stereoklokradio
BEDIENUNGSANLEITUNG	DAB+/UKW-Stereoradiowecker
MODE D'EMPLOI	Radio-réveil stéréo DAB+/FM
MANUAL DEL USUARIO	Radio reloj estéreo DAB+/FM

Index:

English	3
Nederlands	13
Deutsch	23
Français	34
Español.....	44

CAUTION:

Usage of controls or adjustments or performance of procedures other than those specified herein may result in hazardous radiation exposure.

PRECAUTIONS BEFORE USE

KEEP THESE INSTRUCTIONS IN MIND:

1. Do not cover or block any ventilation openings. When placing the device on a shelf, leave 5 cm (2") free space around the whole device.
2. Install in accordance with the supplied user manual.
3. Keep the device away from heat sources such as radiators, heaters, stoves, candles and other heat-generating products or naked flame. The device can only be used in moderate climates. Extremely cold or warm environments should be avoided. Working temperature between 0° and 35°C.
4. Avoid using the device near strong magnetic fields.
5. Electrostatic discharge can disturb normal usage of this device. If so, simply reset and restart the device following the instruction manual. During file transmission, please handle with care and operate in a static-free environment.
6. Warning! Never insert an object into the product through the vents or openings. High voltage flows through the product and inserting an object can cause electric shock and/or short circuit internal parts. For the same reason, do not spill water or liquid on the product.
7. Do not use in wet or moist areas such as bathrooms, steamy kitchens or near swimming pools.
8. The device shall not be exposed to dripping or splashing and make sure that no objects filled with liquids, such as vases, are placed on or near the apparatus.
9. Do not use this device when condensation may occur. When the unit is used in a warm wet room with damp, water droplets or condensation may occur inside the unit and the unit may not function properly; let the unit stand in power OFF for 1 or 2 hours before turning on the power: the unit should be dry before getting any power.
10. Although this device is manufactured with the utmost care and checked several times before leaving the factory, it is still possible that problems may occur, as with all electrical appliances. If you notice smoke, an excessive build-up of heat or any other unexpected phenomena, you should disconnect the plug from the main power socket immediately.
11. This device must operate on a power source as specified on the specification label. If you are not sure of the type of power supply used in your home, consult your dealer or local power company.
12. Keep away from animals. Some animals enjoy biting on power cords.
13. To clean the device, use a soft dry cloth. Do not use solvents or petrol based fluids. To remove severe stains, you may use a damp cloth with dilute detergent.
14. The supplier is not responsible for damage or lost data caused by malfunction, misuse, modification of the device or battery replacement.
15. Do not interrupt the connection when the device is formatting or transferring files. Otherwise, data may be corrupted or lost.
16. If the unit has USB playback function, the USB memory stick should be plugged into the unit directly. Don't use an USB extension cable because it can cause interference resulting in failing of data.
17. The rating label has been marked on the bottom or back panel of the device.
18. This device is not intended for use by people (including children) with physical, sensory or mental disabilities, or a lack of experience and knowledge, unless they're under supervision or have received instructions about the correct use of the device by the person who is responsible for their safety.
19. This product is intended for non professional use only and not for commercial or industrial use.
20. Make sure the unit is adjusted to a stable position. Damage caused by using this product in an unstable position vibrations or shocks or by failure to follow any other warning or precaution contained within this user manual will not be covered by warranty.
21. Never remove the casing of this device.

22. Never place this device on other electrical equipment.
23. Do not allow children access to plastic bags.
24. Only use attachments/accessories specified by the manufacturer.
25. Refer all servicing to qualified service personnel. Servicing is required when the device has been damaged in any way, such as the power supply cord or the plug, when liquid has been spilled or objects have fallen into the device, when the device has been exposed to rain or moisture, does not operate normally, or has been dropped.
26. Long exposure to loud sounds from personal music players may lead to temporary or permanent hearing loss.
27. If the product is delivered with power cable or AC power adaptor:
 - If any trouble occur, disconnect the AC power cord and refer servicing to qualified personnel.
 - Don't step on or pinch the power adaptor. Be very careful, particularly near the plugs and the cable's exit point. Do not place heavy items on the power adaptor, which may damage it. Keep the entire device out of children's reach! When playing with the power cable, they can seriously injure themselves.
 - Unplug this device during lightning storms or when unused for a long period.
 - The socket outlet must be installed near the equipment and must be easily accessible.
 - Do not overload ac outlets or extension cords. Overloading can cause fire or electric shock.
 - Devices with class 1 construction should be connected to a main socket outlet with a protective earthed connection.
 - Devices with class 2 construction do not require a earthed connection.
 - Always hold the plug when pulling it out of the main supply socket. Do not pull the power cord. This can cause a short circuit.
 - Do not use a damaged power cord or plug or a loose outlet. Doing so may result in fire or electric shock.
28. If the product contains or is delivered with a remote control containing coin/cell batteries:

Warning:

 - "Do not ingest battery, Chemical Burn Hazard" or equivalent warning.
 - [The remote control supplied with] This product contains a coin/button cell battery. If the battery is swallowed, it can cause severe internal burns in just 2 hours and can lead to death.
 - Keep new and used batteries away from children.
 - If the battery compartment does not close securely, stop using the product and keep it away from children.
 - If you think batteries might have been swallowed or placed inside any part of the body, seek immediate medical attention.
29. Caution about the use of Batteries:
 - Danger of explosion if battery is incorrectly replaced. Replace only with the same or equivalent type.
 - Battery cannot be subjected to high or low extreme temperatures, low air pressure at high altitude during use, storage or transportation.
 - Replacement of a battery with an incorrect type that can result in an explosion or the leakage of flammable liquid or gas.
 - Disposal of a battery into fire or a hot oven, or mechanically crushing or cutting of a battery, that can result in an explosion.
 - Leaving a battery in an extremely high temperature surrounding environment that can result in an explosion or that leakage of flammable liquid or gas.
 - A battery subjected to extremely low air pressure that may result in an explosion or the leakage of flammable liquid or gas.
 - Attention should be drawn to the environmental aspects of battery disposal.

INSTALLATION

- Unpack all parts and remove protective material.
- Do not connect the unit to the mains before checking the mains voltage and before all other connections have been made.

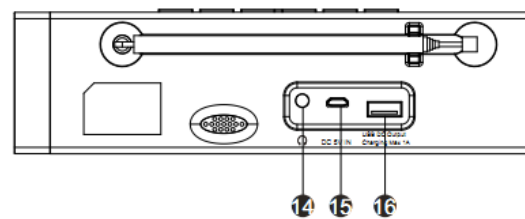
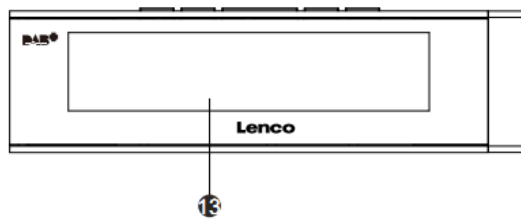
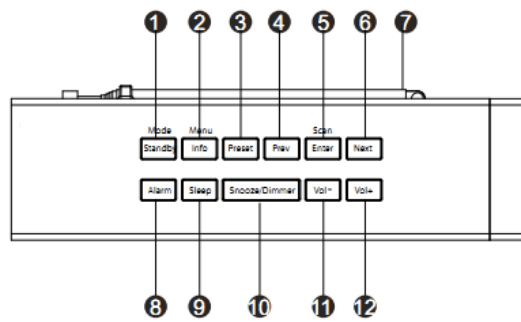


WARNING: When participating in the traffic listening to a personal music player can make the listener less aware of potential dangers such as approaching cars.



WARNING: To prevent possible hearing damage, do not listen at high volume levels for long periods.

Product Overview



1. Standby/Mode button
2. Info/Menu button
3. Preset button
4. Previous button
5. Enter/Scan button
6. Next button
7. Antenna
8. Alarm button
9. Sleep button
10. Snooze/Dimmer button
11. Vol- button
12. Vol+ button
13. LCD Screen
14. Headphone jack
15. DC In jack
16. USB Charging output port

Instructions

Basic operations

Switch on your radio for the first time

Connect the radio with Power Adaptor provided.

Plug the other end into power socket, the unit will be on and display "Welcome to digital Radio" and go to standby mode.

Press the Standby/Mode button to turn on the radio.

Selecting the modes

When the radio is turned on, press the Mode button repeatedly to switch between DAB + and FM modes.

DAB+ operation

When you first select DAB+ radio, press and hold Scan button it will search for and store all available DAB+ stations. Once Auto search is completed, your radio will select the first station tuned.

Selecting between stations. With your radio on:

Press the Mode button to select DAB+ mode.

Press the Prev or Next button to navigate through the list of stations.

Press Enter button to tune to the station currently shown on the display.

You may adjust volume by pressing Vol+ or Vol- button.

FM operation

With your radio on, press the Mode button to select FM mode.

Press the Prev or Next button to manually tune to specific frequencies by 0.05MHz per step.

The radio also includes the scan feature of FM, allowing you to automatically tune to FM stations.

Press and hold the Next button to automatically search for the next available radio station. When a station is found it will be automatically played.

You can search for stations in the opposite direction by pressing and holding the Prev button.

Storing stations as presets

Radio can store 10 stations as presets in both DAB+ and FM mode. To store a preset:

Tune to the station you want to store, press and hold the preset button until the display shows 'preset store', now with prev or next button to select desired preset for store.

Press the Enter button to store the station. The message "Preset xx stored" will appear on the display.

Recall stations saved as presets

To recall a preset station:

Select the band (DAB+ or FM) of the station by pressing the Mode button.

Press the Preset button to recall the preset station, then using the Prev or Next button to browse through your presets and press the Enter button to confirm.

Setting the time automatically

When you first turn on the radio it will automatically synchronise to the local time while searching for DAB+ stations. If the time hasn't set itself try to change the location of the device for a better signal.

System Settings

With the unit on, press and hold the Info/Menu button. This will open the "Set Menu".

Press the Prev or Next button to select your desired Sub-option.

Setting the Time/Date

Press and hold Info/Menu button, the <Time/Date> will be shown on screen, press Enter button to enter time setting mode.

The hour digit will flash. Press the Prev or Next button to set the hour. Press the Enter button to confirm.

Repeat the last two steps to set the minutes, year, month and date.

System Version

You can check the software version number by pressing and holding the Info/Menu button. Press the Prev or Next button until <System Version> is shown on the screen, press the Enter button to confirm.

Resetting the radio

Resetting the radio will delete all the tuned DAB+ stations and all the preset memory stations in FM and DAB+ modes. To reset the radio:

Press and hold the Info/Menu button.

Press the Prev or Next button until <Factory reset> is shown on screen, press the Enter button and <Yes> or <No> is shown on the screen. Use Prev or Next button to select <Yes>.

Press the Enter button and radio will be reset.

Sleep setting

Press the Sleep button.

Press the Prev or Next button to select either OFF-120-90-60-45-30-15-5 minutes.

Press the Enter button to confirm.

Using the alarm

Alarm Setting

With radio on, press Alarm button then press Enter button, OFF will flash on display

Then press the Prev or Next button to choose Alarm 1 to ON position, press Enter button to confirm.

The hours will flash, use the Prev or Next button to select hour. Press Enter button to confirm.

The mins will flash; use the Prev or Next button to select the minutes. Press Enter button to confirm.

The Vol digit will flash, use the Prev or Next button select the Volume. Press Enter button to confirm.

The Alarm source will flash, use the Prev or Next button select the Alarm source: Alarm/DAB/FM. Press Enter button to confirm.

With radio on, press Alarm button twice to set Alarm 2:

The setting procedure is the same as the "ALARM1".

NOTE: You can press the Info/Menu button to get back last one step when in the process of the setting the alarm.

Warning: At location with poor DAB reception after power interruption time setting may not recover and for that wake up by timer could fail.

Deactivate the alarm

With radio on, press Alarm button, and then select the alarm you wish to turn off using the Prev or Next button to choose the Alarm to OFF position.

Press Enter button. The alarm will be deactivated.

Turning off the alarm

Press the Standby button to turn off the alarm when the alarm is sounding.

NOTE: The alarm will keep ringing for 1 hour if you do not turn it off when it is sounding.

Snooze Function

When the alarm is sounding, press the Snooze button to turn off the alarm temporarily. The alarm will be delayed for 9 mins and then come on again.

Station information on DAB mode

Every time you press the Info/Menu button in the DAB mode, the display will cycle through the following display modes:

Dynamic Label Segment (DLS): Displays scrolling text information supplied by the broadcaster.

Signal Strength: Displays a signal bar with the current station strength.

Bit Error Rate (BER): Provides details of the signal error rate.

Channel Frequency: Displays the station's transmission channel number and frequency.

Program Type (PTY): Shows the type and description of the program provided by the DAB+ station.

Time & Date: Displays the time and date information provided by the broadcaster.

Bit Rate: The data rate of which the signal is being transmitted.

Station information on FM mode

Every time you press the Info/Menu button in the FM mode, the display will cycle through the following display modes:

Radio Text: Displays scrolling text information supplied by the broadcaster.

Program type: Displays description of the program provided by the radio station.

Signal Strength: Displays a signal bar with the current station strength.

Time and Date: Displays the time and date information provided by the broadcaster.

Frequency: Displays the station's transmission frequency.

Audio Type: Displays the audio type of the current station (Stereo or Mono).

Note: To switch between mono and stereo by pressing the Enter button repeatedly.

Retuning your DAB+/FM Radio

You can retune your radio stations to store new stations or tune to a new region. Your preset stations will remain stored when you perform a full scan retune. In DAB mode:

Press and hold the Scan button to perform a full scan.

Progress will be indicated on the display.

When tuning is complete, the radio will play the first listed station or return to the last station played.

Using the Headphones

You can listen to your DAB+/FM radio using headphones, just plug the 3.5mm jack into the back of your device in the headphone jack. Control the volume by using the Vol+ or Vol-.

FAQs

Problem	Solution
No Power	Check that the system is connected to a working mains outlet. Check that the DC power adaptor is properly connected to the DC in on the radio.
No sound	Check that the volume control is not at minimum setting.
Poor reception	Adjust the location of the antenna for best signal reception.
Function disturbed	If none of the above solution work, try unplugging your Radio.

Specifications

Frequency rangs	FM 87.5-108MHz DAB 174-240MHz
Output connector	3.5mm earphone socket
Aerial	Telescopic antenna
Power supply adaptor (For EU only)	
Manufacture	Shenzhen Adition Audio Science &Technology Co.Ltd
Input	AC 100-240V~50/60Hz,0.5A Max
Output	DC 5V/2A
Mode Number	AD1500502000EU-MICROUSB
Use only original AC adaptor	
Use only the power supply listed on the user instructions	

Information	
Manufacturers name or trade mark, commercial registration and address	Shenzhen Adition Audio Science &Technology Co.Ltd
Model Identifier	AD1500502000EU-MICROUSB
Input voltage	100-240V
Input AC frequency	50/60Hz
Output voltage	5,0V
Output current	2,0A
Output Power	10,0W
Average active efficiency	79,85%
Efficiency at low load (10%)	77,78%
No load Power consumption	0,06W

Guarantee

Lenco offers service and warranty in accordance to European law, which means that in case of repairs (both during and after the warranty period) you should contact your local dealer.

Important note: It is not possible to send products that need repairs to Lenco directly.

Important note: If this unit is opened or accessed by a non-official service center in any way, the warranty expires.

This device is not suitable for professional use. In case of professional use, all warranty obligations of the manufacturer will be voided.

Disclaimer

Updates to Firmware and/or hardware components are made regularly. Therefore some of the instruction, specifications and pictures in this documentation may differ slightly from your particular situation. All items described in this guide for illustration purposes only and may not apply to particular situation. No legal right or entitlements may be obtained from the description made in this manual.

Disposal of the Old Device



This symbol indicates that the relevant electrical product or battery should not be disposed of as general household waste in Europe. To ensure the correct waste treatment of the product and battery, please dispose them in accordance to any applicable local laws of requirement for disposal of electrical equipment or batteries. In so doing, you will help to conserve natural resources and improve standards of environmental protection in treatment and disposal of electrical waste (Waste Electrical and Electronic Equipment Directive).

CE Marking

Hereby, Lenco Benelux B.V., Thermiekstraat 1a, 6361 HB Nuth, The Netherlands, declares that this product is in compliance with the essential EU directive requirements.

The declaration of conformity may be consulted via techdoc@commaxxgroup.com



Service

For more information and helpdesk support, please visit www.lenco.com

Lenco Benelux BV, Thermiekstraat 1a, 6361 HB Nuth, The Netherlands.

LET OP:

Het gebruik van afstandsbedieningen of aanpassingen of de uitvoering van procedures die niet in dit document zijn gespecificeerd, kan leiden tot gevaarlijke blootstelling aan straling.

VOORZORGSMAATREGELEN VOOR GEBRUIK

ONTHOUD DE VOLGENDE INSTRUCTIES:

1. Bedek of blokkeer de ventilatieopeningen niet. Wanneer u het apparaat op een schap plaatst, dient u 5 cm (2") vrije ruimte rondom het gehele apparaat te behouden.
2. Installeer het product volgens de meegeleverde gebruikershandleiding.
3. Houd het apparaat uit de buurt van hittebronnen, zoals radiatoren, verwarmingen, kachels, kaarsen en andere hittegenererende producten of open vuur. Het apparaat kan alleen worden gebruikt in een gematigd klimaat. Extreem koude of warme omgevingen dienen te worden vermeden. Het bedrijfstemperatuurbereik ligt tussen 0 °C en 35 °C.
4. Gebruik dit apparaat niet in de buurt van krachtige magnetische velden.
5. Elektrostatische ontlading kan normaal gebruik van dit apparaat verstoren. U hoeft het apparaat in dit geval slechts te resetten en opnieuw op te starten volgens de gebruikershandleiding. Wees voorzichtig tijdens bestandsoverdracht en gebruik het product in een omgeving zonder statische interferentie.
6. Waarschuwing! Steek nooit een voorwerp via de ventilatie- of andere openingen in het product. Er is hoogspanning in het product aanwezig en als u er een object insteekt, kan dat een elektrische schok veroorzaken en/of kortsluiting in de interne onderdelen. Mors om dezelfde reden geen water of vloeistof op het product.
7. Gebruik het toestel niet in vochtige ruimtes, zoals badkamers, stomende keukens of in de buurt van zwembaden.
8. Het apparaat mag niet worden blootgesteld aan druppels en spetters en zorg ervoor dat er geen met vloeistof gevulde voorwerpen, zoals vazen, op of in de buurt van het apparaat worden geplaatst.
9. Gebruik dit apparaat niet wanneer condensatie kan optreden. Wanneer het apparaat in een warme, natte ruimte wordt gebruikt, kunnen zich waterdruppels of condens vormen in het apparaat en kan het apparaat niet goed functioneren. Laat het apparaat 1 of 2 uur uit staan voordat u het inschakelt: het apparaat dient droog te zijn voordat deze stroom ontvangt.
10. Alhoewel dit apparaat met grote zorg gefabriceerd en verschillende keren geïnspecteerd is voordat het de fabriek verlaat, is het nog steeds mogelijk dat er problemen optreden, zoals met alle elektrische apparaten. Als u rook, een overmatige hitteontwikkeling of enig ander onverwacht verschijnsel opmerkt, moet u onmiddellijk de stekker van het netsnoer uit het stopcontact halen.
11. Dit apparaat moet worden gebruikt met een voedingsbron zoals gespecificeerd op het specificatielabel. Als u twijfelt over het type voeding dat gebruikt wordt in uw huis, raadpleeg dan uw dealer of plaatselijk energiebedrijf.
12. Buiten bereik van dieren houden. Sommige dieren kauwen graag op voedingskabels.
13. Gebruik een zacht, droog doekje om het apparaat te reinigen. Gebruik geen oplosmiddelen of op benzine gebaseerde vloeistoffen. U kunt een vochtig doekje met verdund schoonmaakmiddel gebruiken om hardnekkige vlekken te verwijderen.
14. De leverancier is niet verantwoordelijk voor schade of verloren gegevens veroorzaakt door storing, misbruik, modificatie van het apparaat of batterijvervanging.
15. Onderbreek nooit de verbinding wanneer het apparaat formatteert of bestanden overdraagt. De gegevens kunnen anders corrupt of verloren raken.
16. Indien het apparaat een USB-afspeelfunctie heeft, moet de USB-geheugenstick rechtstreeks op het apparaat worden aangesloten. Gebruik geen USB-verlengkabel, omdat die kan leiden tot storingen met foutieve gegevens als gevolg.
17. Het classificatielabel bevindt zich op de onderkant of het achterpaneel van het apparaat.
18. Dit hulpmiddel is niet bedoeld voor gebruik door mensen (inclusief kinderen) met een fysieke, zintuiglijke of mentale handicap, of een gebrek aan ervaring en kennis, tenzij zij toezicht of

- instructies hebben gekregen over het juiste gebruik van het hulpmiddel door een persoon die verantwoordelijk is voor hun veiligheid.
19. Dit product is alleen voor niet-professioneel gebruik bedoeld en niet voor commercieel of industrieel gebruik.
 20. Verzekeer u ervan dat het apparaat in een stabiele positie staat opgesteld. Schade die wordt veroorzaakt door het gebruik van dit product in een onstabiele positie, trillingen of schokken of het niet opvolgen van de waarschuwingen of voorzorgsmaatregelen in deze gebruikershandleiding wordt niet gedekt door de garantie.
 21. Verwijder nooit de behuizing van dit apparaat.
 22. Plaats dit apparaat nooit op andere elektrische apparatuur.
 23. Geef kinderen geen gelegenheid in aanraking met plastic zakken te komen.
 24. Gebruik uitsluitend uitbreidingen/accessoires gespecificeerd door de fabrikant.
 25. Laat alle reparaties over aan gekwalificeerd onderhoudspersoneel. Onderhoud is nodig als het apparaat is beschadigd, bijvoorbeeld als de voedingskabel of de stekker is beschadigd, als er vloeistof op het apparaat is gemorst, als er voorwerpen in het apparaat zijn gevallen, als het apparaat is blootgesteld aan regen of vocht, als het apparaat niet normaal werkt of als het is gevallen.
 26. Langdurige blootstelling aan harde geluiden van persoonlijke muzikspelers kan leiden tot tijdelijk of permanent gehoorverlies.
 27. Als het product wordt geleverd met voedingskabel of wisselstroomvoedingsadapter:
 - Als er zich problemen voordoen, moet u de voedingskabel loskoppelen en het ter onderhoud aanbieden aan gekwalificeerd personeel.
 - Nooit op de voedingsadapter stappen of deze indrukken. Wees zeer voorzichtig, vooral in het gebied rond de stekkers en de kabelaansluitingen. Plaats geen zware voorwerpen op de voedingsadapter, om beschadiging ervan te voorkomen. Houd het gehele apparaat buiten bereik van kinderen! Wanneer kinderen met de voedingskabel spelen, kunnen zij ernstig letsel oplopen.
 - Haal de stekker uit het stopcontact tijdens onweer of wanneer u deze langere tijd niet gebruikt.
 - Het stopcontact moet in de buurt van de apparatuur zijn geïnstalleerd en eenvoudig te bereiken zijn.
 - Laat AC-stopcontacten of verlengsnoeren nooit overbelast raken. Overbelasting kan brand of een elektrische schok veroorzaken.
 - Apparaten met een Klasse 1 structuur dienen te worden aangesloten op een stopcontact met een beschermende aardverbinding.
 - Apparaten met een Klasse 2 structuur vereisen geen aardverbinding.
 - Houd altijd de stekker vast wanneer u deze uit het stopcontact trekt. Trek nooit aan de voedingskabel. Dit kan tot een kortsluiting leiden.
 - Gebruik nooit een beschadigde voedingskabel of stekker of een los stopcontact. Dit vormt namelijk een risico op brand of elektrische schokken.
 28. Indien het product knoopcelbatterijen bevat of wordt geleverd met een afstandsbediening die knoopcelbatterijen bevat:

Waarschuwing:

 - “Batterij niet inslikken, chemisch brandgevaar” of gelijkwaardige werking.
 - De meegeleverde afstandsbediening bevat een knoopcelbatterij. Als de batterij wordt ingeslikt, kan deze in slechts 2 uur ernstige interne brandwonden veroorzaken en tot de dood leiden.
 - Houd nieuwe en gebruikte batterijen buiten bereik van kinderen.
 - Als de batterijhouder niet goed kan worden gesloten, dient u het product niet meer te gebruiken en buiten bereik van kinderen te houden.
 - Als u denkt dat batterijen zijn ingeslikt of binnenin een willekeurig lichaamsdeel terecht zijn gekomen, dient u onmiddellijk medische hulp te zoeken.
 29. Waarschuwing m.b.t. het gebruik van batterijen:
 - Als de batterij onjuist wordt geplaatst, bestaat er explosiegevaar. Vervang de batterij alleen door een zelfde of vergelijkbare soort batterij.
 - Stel de batterij niet bloot aan extreem hoge of lage temperaturen of een lage luchtdruk op grote hoogte tijdens gebruik, opslag of transport.

- Vervanging van een batterij door een incorrect type kan leiden tot een ontploffing of de lekkage van ontvlambare vloeistoffen of gas.
- Het weggooien van een batterij in het vuur of een hete oven, of het mechanisch verpletteren of insnijden van een batterij, kan leiden tot een explosie.
- Het achterlaten van een batterij in een omgeving met extreem hoge temperaturen kan leiden tot een explosie of het lekken van brandbare vloeistof of gas.
- Een batterij die aan een extreem lage luchtdruk wordt blootgesteld, kan leiden tot een explosie of het lekken van brandbare vloeistof of gas.
- Aandacht voor het milieu is nodig bij het verwijderen van de batterijen.

INSTALLATIE

- Pak alle onderdelen uit en verwijder de beschermende materialen.
- Sluit het apparaat niet aan op het stopcontact, voordat u de netspanning hebt gecontroleerd en voordat alle andere aansluitingen zijn gemaakt.

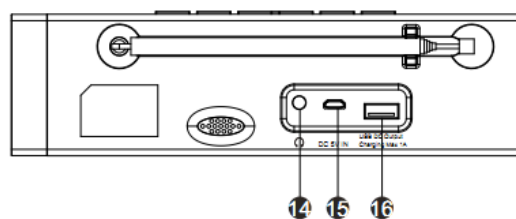
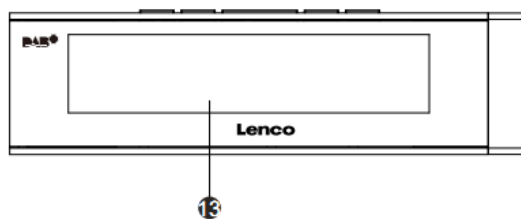
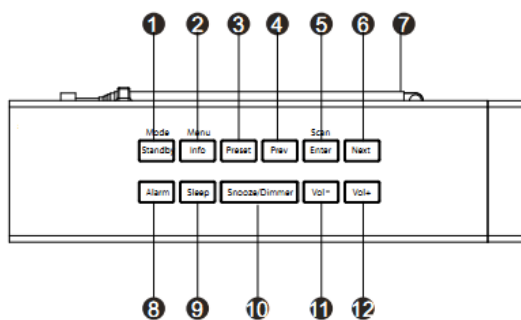


WAARSCHUWING: Wanneer u zich op de straat bevindt, kan het gebruik van een persoonlijke muzikspeler de luisteraar afleiden van de potentiële gevaren, zoals naderende auto's.



WAARSCHUWING: Luister nooit voor lange tijd op hoge volumenniveaus, om mogelijke gehoorbeschadiging te voorkomen.

Productoverzicht



1. Stand-by/Modustoets
2. Info/Menu-toets
3. Voorkeuzetoets
4. Vorige-toets
5. Enter/Scantoets
6. Volgende-toets
7. Antenne
8. Alarmtoets
9. Slaap-knop
10. Sluimer/Dimmertoets
11. Vol- toets
12. Vol+ toets
13. LCD-scherm
14. Koptelefoonaansluiting
15. Jack voor DC in
16. USB-uitgangspoort voor opladen

Instructies

Basishandelingen

Uw radio voor de eerste keer gebruiken

Verbind uw radio met de meegeleverde stroomadapter.

Steek het andere uiteinde in de voedingsingang, het apparaat zal inschakelen, "Welcome to digital Radio" (Welkom bij digitale radio) weergeven en op stand-by schakelen.

Druk op de toets Stand-by/Moduse om de radio in te schakelen.

Modus selecteren

Druk herhaaldelijk op de Mode-toets wanneer de radio aan staat om te schakelen tussen DAB+ en FM modi.

DAB+ bediening

Wanneer u de DAB+ radio voor het eerst selecteert, houd a.u.b. de Scantoets ingedrukt om naar alle beschikbare DAB+ te zoeken en deze op te slaan. Nadat de automatische scan eenmaal is voltooid, zal uw radio het eerste afgestemde station selecteren.

Stations selecteren. Wanneer uw radio aan staat:

Druk op de Mode-toets om de DAB+ modus te selecteren.

Druk op de Vorige- of Volgende-toets om te navigeren door de lijst met stations.

Druk op de Enter toets om naar het station te gaan die momenteel op het scherm weergegeven wordt.

Druk op de toets Vol+ of Vol- om het volume aan te passen.

FM-bediening

Druk wanneer uw radio aan staat op de Mode-toets om de FM modus te selecteren.

Druk op de Vorige- of Volgende-toets om handmatig een specifieke frequentie te kiezen met 0,05MHz per keer.

De radio heeft ook een scanfunctie voor FM, waardoor u automatisch naar FM stations kunt zoeken.

Houd de toets Next ingedrukt om automatisch te zoeken naar het volgende beschikbare radiostation. Wanneer een station gevonden wordt, dan zal deze automatisch afgespeeld worden.

U kunt ook in tegenovergestelde richting naar stations zoeken door de toets Prev ingedrukt te houden.

Stations als voorkeuzes opslaan

De radio kan 10 stations als voorkeuzes opslaan in zowel DAB+ als FM modus. Om een voorkeuze op te slaan:

Stem af op het station dat u wilt opslaan, houd de voorkeuzetoets ingedrukt totdat de display '**preset store**' (**voorkeuze opslaan**) weergeeft en selecteer vervolgens het gewenste voorkeuzenummer voor het opslaan met de toets vorige of volgende.

Druk op de Enter toets om het station op te slaan. Op het scherm zal het bericht "Preset xx stored" (Voorkeuze xx opgeslagen) verschijnen.

Stations herroepen die zijn opgeslagen in het stationsgeheugen.

Een voorkeuzestation herroepen:

Selecteer de bandbreedte (DAB+ of FM) van het station, door op de Mode-toets te drukken.

Druk op de Preset-toets om de opgeslagen stations naar voren te halen, gebruik vervolgens de Vorige- of Volgende-toets om door uw voorkeuzes te bladeren en druk op de Enter toets om uw keuze te bevestigen.

De tijd automatisch instellen

Wanneer u de radio voor de eerste keer aanzet, zal hij automatisch synchroniseren met de lokale tijd tijdens het zoeken naar DAB+ stations. Probeer de locatie van het apparaat te veranderen als de tijd niet vanzelf ingesteld is, zodat u een beter signaal krijgt.

Systeeminstellingen

Houd de Info/Menu-toets ingedrukt terwijl het apparaat aan staat. Dit zal het "Set Menu" (Instelmenu) openen.

Druk op de Vorige- of Volgende-toets om uw gewenste Sub-optie te selecteren.

Instellen van tijd/datum

Houd de Info/Menu-toets ingedrukt, de <Time/Date> (Tijd/Datum) zal weergegeven worden op het scherm en druk vervolgens op de Enter toets om te beginnen met het aanpassen van de tijdsinstellingen.

De uurweergave zal knipperen. Druk op de Vorige- of Volgende-toets om de uren in te stellen. Druk op de knop ENTER om te bevestigen.

Herhaal de laatste twee stappen om de minuten, het jaar, de maand en de datum in te stellen.

Systeemversie

U kunt de softwareversie controleren door de Info/Menu-toets ingedrukt te houden. Druk op de Vorige- of Volgende-toets totdat <System Version> (Systeemversie) op het scherm verschijnt en druk vervolgens op de Enter toets om uw keuze te bevestigen.

De radio opnieuw instellen

De radio opnieuw instellen zal alle opgeslagen DAB+ stations en alle opgeslagen FM en DAB+ voorkeuzestations verwijderen. Om de radio opnieuw in te stellen:

Houd de INFO/MENU-toets ingedrukt.

Druk op de Vorige- of Volgende-toets totdat <Factory reset> (Fabrieksreset) op het scherm verschijnt, druk op de Enter toets en <Yes> (Ja) of <No> (NEE) verschijnt op het scherm. Gebruik de Vorige- of Volgende-toets om <Yes> (Ja) te selecteren.

Druk op de Entertoets en de radio zal worden teruggesteld.

Slaapstandinstelling

Druk op de toets Sleep.

Druk op de Vorige- of Volgende-toets om te kiezen uit OFF-120-90-60-45-30-15-5 minuten.

Druk op de knop ENTER om te bevestigen.

Het alarm gebruiken

Alarminstelling

Met de radio ingeschakeld, druk op de Alarmtoets en vervolgens op de Entertoets; de display zal OFF (uit) weergeven.

Druk vervolgens op de Vorige- of Volgende-toets om Alarm 1 op ON (AAN) te zetten en druk op de Enter toets om uw keuze te bevestigen.

De uren zullen knipperen, gebruik de Vorige- of Volgende-toets om de uren te selecteren. Druk ter bevestiging op de toets Enter.

De minuten zullen knipperen, gebruik de Vorige- of Volgende-toets om de minuten te selecteren. Druk ter bevestiging op de toets Enter.

Het Vol-nummer zal knipperen, gebruik de Vorige- of Volgende-toets om het volume te selecteren. Druk ter bevestiging op de toets Enter.

De Alarmbron zal knipperen; gebruik de toets Prev of Next om de gewenste Alarmbron te selecteren: Alarm/DAB/FM. Druk ter bevestiging op de toets Enter.

Met de radio ingeschakeld, druk tweemaal op de Alarmtoets om Alarm 2 in te stellen:

De instelprocedures zijn hetzelfde als bij "ALARM1".

OPMERKING: U kunt op de Info/Menu-toets drukken om een stap terug te gaan terwijl u het alarm instelt.

Waarschuwing: Op locaties met een slechte DAB-ontvangst kan de tijdstelling na een stroomuitval mogelijk niet worden hersteld en kan de wekfunctie via de timer dus mislukken.

Het alarm deactiveren

Met de radio ingeschakeld, druk op de Alarmtoets en selecteer vervolgens het alarm dat u wilt uitschakelen, gebruik de toets Prev of Next om het Alarm op de stand OFF (uit) te zetten.

Druk op de Entertoets. Het alarm zal worden gedeactiveerd.

Het uitschakelen van het alarm

Druk op de toets Standby om het alarm uit te schakelen wanneer het alarm klinkt.

OPMERKING: Het alarm zal gedurende een uur blijven klinken als u het niet uitschakelt wanneer het afgaat.

Sluimerfunctie

Druk op de Snooze-toets wanneer het alarm afgaat om deze tijdelijk uit te schakelen. Het alarm zal 9 minuten uitgesteld worden en vervolgens weer afgaan.

Zenderinformatie in de DAB-modus

Elke keer wanneer u op de Info/Menu-toets drukt in de DAB modus, zal het scherm door de volgende schermmodi bladeren:

Dynamische berichtenindeling (DLS): Toont schuivende tekstinformatie die door de zender wordt verstrekt.

Signaalsterkte: Geeft een signaalbalk aan met de signaalsterkte van het huidige radiostation.

Bitfoutenkans (BER): Geeft informatie over signaalfouten.

Kanaalfrequentie: Geeft het nummer en de frequentie van het transmissiekanaal weer.

Soort programma (PTY): Geeft het type en de beschrijving weer van het programma op de DAB+zender.

Tijd/datum: Geeft de tijd en datum weer die door de zender wordt gegeven.

Bitsnelheid: De datasnelheid waar het signaal mee verstuurd wordt.

Zenderinformatie in de FM-modus

Elke keer wanneer u op de Info/Menu-toets drukt in de FM modus, zal het scherm door de volgende schermmodi bladeren:

Radiotekst: Toont schuivende tekstinformatie die door de zender wordt verstrekt.

Soort programma: Geeft een omschrijving weer over het programma van het radiostation.

Signaalsterkte: Geeft een signaalbalk aan met de signaalsterkte van het huidige radiostation.

Tijd en datum: Geeft de tijd en datum weer die door de zender wordt gegeven.

Frequentie: Geeft de zendfrequentie van de zender weer.

Soort audio: Geeft de soort audio van het huidige radiostation weer (Stereo of Mono).

Opmerking: U kunt schakelen tussen mono en stereo door herhaaldelijk op de Enter toets te drukken.

Uw DAB+/FM Radio opnieuw afstellen

U kunt opnieuw zoeken naar nieuwe beschikbare radiostations of naar stations in een nieuw gebied. Uw voorkeuzestations zullen bewaard blijven wanneer u opnieuw een volledige scan uitvoert. In de DAB-modus:

Houd de Scantoets ingedrukt om een volledige scan uit te voeren.

De voortgang zal op het scherm weergegeven worden.

Wanneer het scannen afgerond is, zal de radio het eerste station in de lijst afspelen of terug gaan naar het laatste geselecteerde station.

De hoofdtelefoon gebruiken

U kunt naar uw DAB+/FM radio luisteren met een hoofdtelefoon. Hiervoor hoeft u alleen het 3,5mm uiteinde van de hoofdtelefoon in de daarvoor bestemde aansluiting op uw radio te doen. Gebruik de toets Vol+ of Vol- om het volume te regelen.

Veelgestelde vragen

Probleem	Oplossing
Geen Stroom	Controleer of het systeem verbonden is met een werkend stopcontact. Controleer of de DC stroomadapter op de juiste manier verbonden is met de DC In op de radio.
Geen geluid	Controleer of het volume niet op het laagste niveau staat.
Slechte ontvangst	Pas de locatie van de antenne aan voor ontvangst van het beste signaal.
Functie werkt niet	Als geen van de bovengenoemde oplossingen werken, probeer a.u.b. uw radio los te koppelen.

Specificaties

Frequentiebereik	FM 87,5-108 MHz DAB 174-240 MHz
Uitvoerconnector	3,5 mm oortelefoonaansluiting
Antenne	Uitschuifbare antenne
Voedingsadapter (alleen voor EU)	
Fabrikant	Shenzhen Adition Audio Science &Technology Co.Ltd
Ingang	AC 100-240 V~50/60 Hz, 0.5A Max
Uitgang	DC 5V, 2A
Modelnummer	AD1500502000EU-MICROUSB
Gebruik alleen de originele wisselstroomadapter	
Gebruik uitsluitend de voeding die op de gebruiksaanwijzing is aangegeven	

Informatie	Waarde en precisie
Naam of handelsmerk van de fabrikant, handelsregistratie en adres	Shenzhen Adition Audio Science &Technology Co.Ltd
Modelaanduiding	AD1500502000EU-MICROUSB
Ingangsspanning	100-240V
Ingangsfrequentie AC	50/60Hz
Uitgangsspanning	5,0V
Uitgangsstroom	2,0A
Uitgang	10,0W
Gemiddelde actieve efficiëntie	79,85%
Efficiëntie bij lage belasting (10%)	77,78%
Verbruik onbelast vermogen	0,06W

Garantie

Lenco biedt service en garantie aan overeenkomstig met de Europese wetgeving. Dit houdt in dat u, in het geval van reparaties (zowel tijdens als na de garantieperiode), uw lokale handelaar moet contacteren.

Belangrijke opmerking: Het is niet mogelijk om producten die gerepareerd moeten worden direct naar Lenco te sturen.

Belangrijke opmerking: De garantie verloopt als een onofficieel servicecenter het apparaat op wat voor manier dan ook heeft geopend, of er toegang toe heeft gekregen.

Het apparaat is niet geschikt voor professioneel gebruik. In het geval van professioneel gebruik worden alle garantieverplichtingen van de fabrikant nietig verklaard.

Disclaimer

Er worden regelmatig updates in de firmware en/of hardwarecomponenten gemaakt. Daardoor kunnen gedeelten van de instructie, de specificaties en afbeeldingen in deze documentatie enigszins verschillen van uw eigen situatie. Alle onderwerpen die staan beschreven in deze handleiding zijn bedoeld als illustratie en zijn niet van toepassing op specifieke situaties. Aan de beschrijving in dit document kunnen geen rechten worden ontleend.

Afvoer van het oude apparaat



Dit symbool geeft aan dat het betreffende elektrische product of de batterij niet moet worden verwijderd als algemeen huishoudelijk afval in Europa. Zorg voor een juiste afvalverwerking door het product en de batterij in overeenstemming met alle van toepassing zijnde lokale wetten voor het verwijderen van elektrische apparatuur of batterijen te verwijderen. Als u dit doet, helpt u de natuurlijke hulpbronnen te behouden en de standaard van milieubescherming te verbeteren bij de behandeling en verwijdering van elektrisch afval (Afgedankte Elektrische en Elektronische Apparatuur).

CE-markering

Lenco Benelux B.V., Thermiekstraat 1a, 6361 HB Nuth, Nederland, verklaart hierbij dat dit product voldoet aan de vereisten van de essentiële EU-richtlijnen. De conformiteitsverklaring kan worden opgevraagd via techdoc@commaxxgroup.com



Service

Bezoek voor meer informatie en helpdeskondersteuning www.lenco.com

Lenco Benelux BV, Thermiekstraat 1a, 6361 HB Nuth, Nederland.

ACHTUNG:

Eine andere als die hier beschriebene Bedienung, Einstellung oder Verwendung der Funktionen kann zu gefährlicher Strahlenbelastung führen.

VORSICHTSMASSNAHMEN VOR DER BENUTZUNG

BEFOLGEN SIE IMMER FOLGENDE ANWEISUNGEN:

1. Blockieren oder bedecken Sie keine Lüftungsöffnungen. Wenn Sie das Gerät auf ein Regal stellen, lassen Sie um das gesamte Gerät 5 cm (2") freien Platz.
2. Stellen Sie das Gerät entsprechend den Anweisungen der mitgelieferten Bedienungsanleitung auf.
3. Halten Sie das Gerät von Hitzequellen wie Radiatoren, Heizern, Öfen, Kerzen oder anderen hitzeerzeugenden Produkten oder offenen Flammen fern. Das Gerät darf nur bei gemäßigttem Klima verwendet werden. Sehr kalte oder heiße Umgebungen sind zu vermeiden. Der Betriebstemperaturbereich liegt zwischen 0 °C und 35 °C.
4. Meiden Sie bei der Nutzung des Produkts die Nähe starker Magnetfelder.
5. Elektrostatische Entladungen können die normale Verwendung von diesem Gerät stören. Sollte dies geschehen, führen Sie einfach einen Reset aus und starten Sie dann das Gerät entsprechend den Anweisungen dieser Bedienungsanleitung neu. Gehen Sie besonders bei Datenübertragungen mit dem Gerät vorsichtig um und führen Sie diese nur in einer antielektrostatischen Umgebung aus.
6. **Warnung!** Niemals Gegenstände durch die Lüftungsschlitze oder Öffnungen in das Gerät stecken. In diesem Gerät fließt Hochspannung und das Hineinstecken von Gegenständen kann zu elektrischem Schock und/oder Kurzschluss interner elektrischer Bauteile führen. Aus dem gleichen Grund kein Wasser oder Flüssigkeiten in das Gerät geben.
7. Benutzen Sie das Gerät nicht in nasser oder feuchter Umgebung wie Bad, Dampfküche oder in der Nähe von Schwimmbädern.
8. Das Gerät darf weder Tropf- noch Spritzwasser ausgesetzt werden und es dürfen keine mit Flüssigkeit gefüllten Behälter wie z.B. Vasen auf das Gerät oder in der Nähe des Gerätes gestellt werden.
9. Benutzen Sie das Gerät nicht bei Kondensationsgefahr. Wenn Sie das Gerät in einem warmen feuchten Raum benutzen, dann können sich im Inneren des Geräts Wassertropfen oder Kondensationen bilden und zu Fehlfunktionen des Geräts führen. Schalten Sie in diesem Fall das Gerät für 1 – 2 Stunden aus, bevor Sie es erneut einschalten: Das Gerät sollte vollständig getrocknet sein, wenn Sie es wieder einschalten.
10. Obwohl dieses Gerät unter größter Sorgfalt und vor Auslieferung mehrmals überprüft wurde, können trotzdem wie bei jedem anderen elektrischen Gerät auch Probleme auftauchen. Trennen Sie das Gerät im Falle einer Raucherentwicklung, starker Hitzeentwicklung oder jeden anderen unnatürlichen Erscheinung sofort vom Netz.
11. Dieses Gerät ist durch eine Stromquelle wie auf dem Typenschild angegeben zu betreiben. Halten Sie bei Unsicherheiten über die Art Ihrer Stromversorgung in Ihrer Wohnung Rücksprache mit Ihrem Händler oder Ihrer Stromzuliefererfirma.
12. Halten Sie es von Haustieren fern. Einige Nagetiere lieben es, an Netzkabeln zu nagen.
13. Benutzen Sie für die Reinigung ein weiches und trockenes Tuch. Benutzen Sie niemals Lösungsmittel oder Flüssigkeiten auf Ölbasis. Benutzen Sie zum Entfernen hartnäckiger Flecken ein feuchtes Tuch mit mildem Reinigungsmittel.
14. Der Hersteller haftet nicht für Schäden oder Verluste durch Fehlfunktion, Zweckentfremdung oder Modifikation des Geräts oder durch Wechseln der Batterien.
15. Unterbrechen Sie die Verbindung nicht während einer Formatierung oder einer Datenübertragung. Bei Unterbrechung drohen Datenverlust und Datenbeschädigung.
16. Wenn das Gerät eine USB-Wiedergabefunktion besitzt, dann stecken Sie den USB-Stick direkt in das Gerät. Verwenden Sie kein USB-Verlängerungskabel, weil die erhöhte Störungsanfälligkeit zu Datenverlust führen könnte.
17. Das Typenschild befindet sich an der Unter- oder Rückseite des Geräts.

18. Dieses Gerät ist nicht zur Benutzung durch Personen (einschließlich Kinder) mit physischen, sensorischen oder mentalen Beeinträchtigungen oder ohne ausreichender Erfahrung vorgesehen, es sei denn, sie werden durch eine verantwortliche Person beaufsichtigt oder wurden in die ordnungsgemäße Bedienung des Gerätes durch eine für ihre Sicherheit verantwortliche Person eingewiesen.
19. Dieses Produkt ist nur für den nicht-professionellen Gebrauch und nicht für gewerbliche oder industrielle Zwecke bestimmt.
20. Stellen Sie sicher, dass das Gerät in einer stabilen Position aufgestellt ist. Schäden aufgrund Verwendung dieses Produkts in einer instabilen Position, Vibrationen, Stöße oder Nichtbeachtung der anderen in dieser Bedienungsanleitung enthaltenen Warnungen und Sicherheitshinweise werden nicht durch die Garantie abgedeckt.
21. Entfernen Sie niemals das Gehäuse dieses Produkts.
22. Stellen Sie das Produkt niemals auf andere elektrische Geräte.
23. Halten Sie Kinder von den Plastiktüten fern.
24. Benutzen Sie nur vom Hersteller spezifizierte Erweiterungen/Zubehörteile.
25. Lassen Sie alle Eingriffe von qualifiziertem Servicepersonal ausführen. Eingriffe werden notwendig, wenn das Gerät auf irgendeine Weise wie beispielsweise am Netzkabel oder am Netzstecker beschädigt wurde, Flüssigkeit in das Gerät eingedrungen ist, Gegenstände in das Gerät gefallen sind, das Gerät Regen oder Feuchtigkeit ausgesetzt war, es heruntergefallen ist oder nicht ordnungsgemäß funktioniert.
26. Langes Hören lauter Töne aus einem Musikgerät kann zum zeitweiligen oder permanenten Hörverlust führen.
27. Wenn zum Lieferumfang des Produkts ein Netzkabel oder ein Netzadapter gehört:
 - Wenn irgendwelche Probleme auftreten, dann ziehen Sie den Netzstecker aus der Netzsteckdose und setzen Sie sich anschließend mit einer qualifizierten Fachkraft in Verbindung.
 - Treten Sie nicht auf das Netzteil und klemmen Sie es auch nicht ein. Geben Sie besonders im näheren Bereich des Steckers und der Stelle acht, wo das Kabel aus dem Gerät herausgeführt wird. Stellen Sie keine schweren Gegenstände auf das Netzteil, weil es dadurch beschädigt werden könnte. Halten Sie das gesamte Gerät außerhalb der Reichweite von Kindern! Durch Spielen mit dem Netzkabel können sie sich ernsthafte Verletzungen zuziehen.
 - Trennen Sie das Gerät während eines Gewitters oder bei längerer Nichtbenutzung vom Netz.
 - Die Wandsteckdose muss sich in der Nähe des Geräts befinden und einfach zu erreichen sein.
 - Steckdosen und Verlängerungsleitungen nicht überlasten. Eine Überlastung kann zu Brandgefahr bzw. Stromschlag führen.
 - Geräte der Schutzklasse 1 sind an eine Netzsteckdose mit Schutzleiter anzuschließen.
 - Geräte der Schutzklasse 2 benötigen keinen Schutzleiteranschluss.
 - Halten Sie den Netzstecker in der Hand, wenn Sie ihn aus der Netzsteckdose ziehen. Ziehen Sie ihn nicht durch Zerren am Kabel heraus. Das kann zu einem Kurzschluss führen.
 - Verwenden Sie weder ein beschädigtes Netzkabel noch einen beschädigten Stecker oder eine lockere Steckdose. Es besteht Brand- und Stromschlaggefahr.
28. Wenn das Produkt mit einer Fernbedienung mit Batterien/Knopfzellen geliefert wird oder das Produkt eine derartige Fernbedienung umfasst:
Warnung:
 - „Die Batterie nicht einnehmen, er besteht Verätzungsgefahr“.
 - [Die mit diesem Produkt mitgelieferte Fernbedienung] enthält eine Knopfzelle. Das Verschlucken der Batterie kann innerhalb von nur 2 Stunden zu schwersten inneren Verbrennungen mit Todesfolge führen.
 - Halten Sie neue und gebrauchte Batterien von Kindern fern.
 - Verwenden Sie dieses Produkt nicht weiter und halten Sie es von Kindern fern, wenn das Batteriefach nicht sicher schließt.
 - Suchen Sie umgehend ärztliche Hilfe auf, wenn Sie vermuten, dass Batterien verschluckt oder in Körperöffnungen eingeführt wurden.
29. Warnhinweise bzgl. der Verwendung von Batterien:

- Es besteht Explosionsgefahr, wenn die Batterien nicht korrekt eingelegt werden. Nur mit Batterien des gleichen oder entsprechenden Typs ersetzen.
- Die Batterie darf während der Benutzung, Aufbewahrung oder des Transports weder sehr hohen oder sehr niedrigen Temperaturen noch niedrigem Luftdruck in großen Höhenlagen ausgesetzt werden.
- Die Ersetzung der Batterie mit einem falschen Batterietyp kann zum Explodieren der Batterie oder dem Auslaufen von entflammbarem Gas oder entflammbarer Flüssigkeit aus der Batterie führen.
- Die Entsorgung der Batterie in Feuer oder einem heißen Ofen oder das mechanische Zerkleinern oder Zerteilen der Batterie kann zu Explosionen führen.
- Das Verbleiben der Batterie in einer Umgebung mit sehr hohen Temperaturen kann zum Explodieren der Batterie oder dem Auslaufen von entflammbarem Gas oder entflammbarer Flüssigkeit führen.
- Eine in einem sehr niedrigen Luftdruck ausgesetzte Batterie kann explodieren oder es kann aus einer in einem sehr niedrigen Luftdruck ausgesetzten Batterie entflammbares Gas oder entflammbare Flüssigkeit auslaufen.
- Augenmerk ist auf den ökologischen Aspekt der Batterieentsorgung zu legen.

ANSCHLUSS

- Packen Sie alle Teile aus und entfernen Sie danach die Schutzmaterialien.
- Schließen Sie das Gerät nicht eher an das Netz an, bevor Sie die Netzspannung überprüft haben und alle anderen notwendigen Verbindungen hergestellt sind.

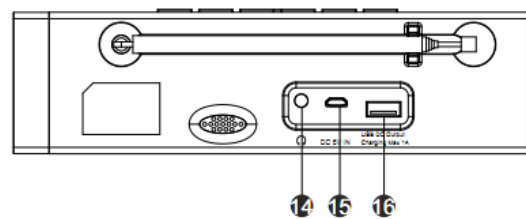
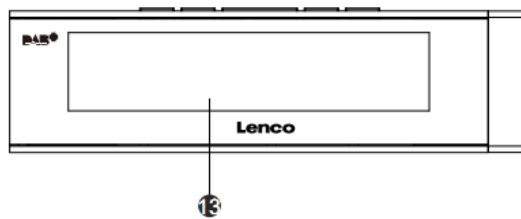
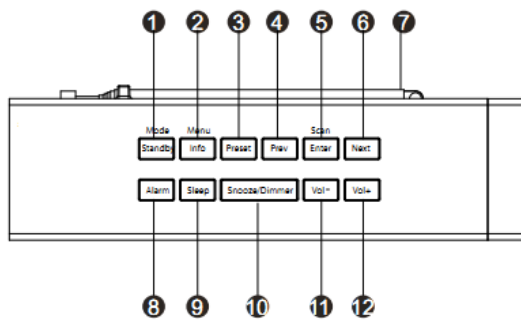


WARNUNG: Bei der Teilnahme am Straßenverkehr kann das Hören von Musik über ein Musikgerät von möglichen Gefahren, wie sich annähernden Fahrzeugen, ablenken.



WARNUNG: Hören Sie nicht für längere Zeit mit einem hohen Lautstärkepegel, um dauerhaften Hörschäden vorzubeugen.

Produktübersicht



1. Standby/Modus-Taste
2. Info/Menü-Taste
3. Speicherplatz-Taste
4. Zurück-Taste
5. Enter/Scan-Taste
6. Vor-Taste
7. Antenne
8. Wecker-Taste
9. Abschaltautomatik-Taste
10. Schlummerautomatik/Dimmer-Taste
11. Lautstärke- Taste
12. Lautstärke+ Taste
13. LCD-Display
14. Kopfhörerbuchse
15. DC-Eingangsbuchse
16. USB-Ladeausgang

Anleitungen

Grundbedienung

Bei der Erstinbetriebnahme Ihres Radios

Schließen Sie den mitgelieferten Netzadapter am Radio an.

Wenn Sie nun den Netzstecker des Netzadapters in eine Netzsteckdose stecken, schaltet sich das Radio ein, zeigt auf dem Display „Welcome to digital Radio“ (Willkommen beim digitalen Radio) an und wechselt anschließend in den Standby-Modus.

Drücken Sie die Taste Standby/Mode, um das Radio einzuschalten.

Auswahl der Modi

Drücken Sie bei eingeschaltetem Radio mehrfach die Taste Mode, um zwischen DAB+ und UKW-Modus hin und her zu schalten.

DAB+ Bedienung

Wenn Sie das erste Mal das DAB+ Radio auswählen, dann halten Sie die Taste Scan gedrückt, damit das Radio nach allen verfügbaren DAB+ Radiosendern sucht und diese abspeichert. Wenn dieser automatische Scan beendet wurde, wählt das Radio den als erstes gefundenen Radiosender aus.

Auswahl eines Radiosenders. Bei eingeschaltetem Radio:

Drücken Sie die Taste Mode, um den DAB+ Modus auszuwählen.

Drücken Sie die Taste Prev oder Next, um sich durch die Liste der Radiosender zu bewegen.

Drücken Sie die Taste Enter, um den Radiosender auszuwählen, der gerade auf dem Display angezeigt wird.

Sie können durch Drücken der Taste Vol+ oder Vol– die gewünschte Lautstärke einstellen.

UKW-Bedienung

Drücken Sie bei eingeschaltetem Radio die Taste Mode, um den UKW-Modus auszuwählen.

Drücken Sie die Taste Prev oder Next, um manuell die gewünschte Frequenz in 0,05-MHz-Schritten einzustellen.

Das Radio besitzt zudem einen UKW-Sendersuchlauf, mit dem Sie automatisch alle UKW-Radiosender einstellen lassen können.

Halten Sie die Taste Next gedrückt, um automatisch nach dem nächsten verfügbaren Radiosender zu suchen. Wenn ein Radiosender gefunden wird, dann wird dieser automatisch wiedergegeben.

Sie können auch abwärts suchen lassen, indem Sie die Taste Prev gedrückt halten.

Speichern von Radiosendern auf den Speicherplätzen

Das Radio kann jeweils 10 UKW- und DAB+ Radiosender auf Speicherplätzen speichern. Um einen Speicherplatz zu belegen:

Stellen Sie den Sender ein, den Sie speichern möchten und halten Sie die Taste Preset solange gedrückt, bis auf dem Display „**preset store**“ (**Sender speichern**) angezeigt wird. Jetzt können Sie mit der Taste Prev oder Next den gewünschten Speicherplatz für das Speichern des Senders auswählen.

Drücken Sie die Taste Enter, um den Radiosender zu speichern. Auf dem Display erscheint die Mitteilung „Preset xx stored“ (Speicherplatz xx gespeichert).

Abruf eines auf einem Speicherplatz abgespeicherten Radiosenders

Um einen auf einem Speicherplatz gespeicherten Radiosender abzurufen:

Wählen Sie das Band (DAB+ oder UKW) des Radiosenders aus, indem Sie die Taste Mode drücken.

Drücken Sie die Taste Preset, um die Speicherplätze abzurufen. Drücken Sie die Taste Prev oder Next, um sich durch die Liste zu bewegen und bestätigen Sie Ihre Auswahl anschließend mit der Taste Enter.

Automatische Einstellung der Uhrzeit

Wenn Sie das Radio das erste Mal einschalten, synchronisiert es automatisch die lokale Uhrzeit, wenn es nach DAB+ Radiosendern sucht. Wenn die Uhrzeit nicht automatisch eingestellt werden sollte, dann versuchen Sie einen anderen Standplatz für das Radio, um ein stärkeres Signal zu erhalten.

Systemeinstellungen

Halten Sie bei eingeschaltetem Gerät die Taste Info/Menu gedrückt. Hierdurch wird „Set Menu“ (Menü einstellen) geöffnet.

Drücken Sie die Taste Prev oder Next, um eines der nachfolgenden Untermenüs aufzurufen.

Einstellung von Uhrzeit/Datum

Wenn Sie die Taste Info/Menu gedrückt halten, dann erscheint auf dem Display <Time/Date> (Uhrzeit/Datum). Drücken Sie die Taste Enter, um in den Einstellmodus für die Uhrzeit zu gelangen.

Jetzt blinkt die Stundenstelle. Drücken Sie die Taste Prev oder Next, um die richtige Stunde der Uhrzeit einzustellen. Drücken Sie zur Bestätigung die Taste Enter.

Wiederholen Sie die beiden letzten Schritte, um die Minuten, das Jahr, den Monat und den Tag einzustellen.

Systemversion

Die können die Versionsnummer der Software überprüfen, indem Sie die Taste Info/Menu gedrückt halten. Drücken Sie solange die Taste Prev oder Next, bis <System Version> (Systemversion) auf dem Display erscheint und drücken Sie anschließend die Taste Enter, um Ihre Auswahl zu bestätigen.

Zurücksetzen des Radios

Durch das Zurücksetzen des Radios werden alle gespeicherten DAB+ Radiosender und alle Speicherplätze für DAB+ und UKW-Radiosender gelöscht. Um das Radio zurückzusetzen:

Halten Sie die Taste Info/Menu gedrückt.

Drücken Sie die Taste Prev oder Next solange, bis auf dem Display <Factory reset> (Auf Werkseinstellung zurücksetzen) angezeigt wird. Wenn Sie nun die Taste Enter drücken, dann wird auf dem Display <Yes> (Ja) und <No> (Nein) angezeigt. Wählen Sie mit der Taste Prev oder Next <Yes> (Ja) aus.

Wenn Sie jetzt die Taste Enter drücken, dann wird das Radio auf Werkseinstellung zurückgesetzt.

Einstellung Schlafautomatik

Drücken Sie die Taste Sleep.

Drücken Sie die Taste Prev oder Next, um entweder AUS, 120, 90, 60, 45, 30, 15 oder 5 Minuten auszuwählen.

Drücken Sie zur Bestätigung die Taste Enter.

Verwendung des Weckers

Wecker einstellen

Drücken Sie bei eingeschaltetem Radio die Taste Alarm. Auf der Anzeige blinkt jetzt OFF (aus).

Drücken Sie nun die Taste Prev oder Next, um Alarm1 (Wecker 1) auf ON (Ein) zu stellen. Bestätigen Sie Ihre Auswahl mit der Taste Enter.

Die Stundenstelle blinkt nun. Stellen Sie die gewünschte Stunde mit der Taste Prev oder Next ein. Drücken Sie zur Bestätigung die Taste Enter.

Jetzt blinkt die Minutenstelle. Stellen Sie die gewünschten Minuten mit der Taste Prev oder Next ein. Drücken Sie zur Bestätigung die Taste Enter.

Nun blinkt die Stelle für den Lautstärkepegel. Stellen Sie den gewünschten Lautstärkepegel mit der Taste Prev oder Next ein. Drücken Sie zur Bestätigung die Taste Enter.

Jetzt blinkt die Quelle für den Wecksound. Stellen Sie diese mit der Taste Prev oder Next ein: Alarm/DAB/FM (Wecker/DAB/UKW). Drücken Sie zur Bestätigung die Taste Enter.

Drücken Sie bei eingeschaltetem Radio die Taste Alarm zweimal, um Alarm2 (Wecker 2) einzustellen:

Die Einstellschritte sind dieselben wie für „ALARM1“ beschrieben.

HINWEIS: Durch Drücken der Taste Info/Menu können Sie einen Einstellungsschritt in der Weckereinstellung zurückgehen.

Warnung: An Orten mit schlechtem DAB-Empfang kann es vorkommen, dass nach einer Stromunterbrechung die Zeit nicht aktualisiert werden kann und dadurch das Wecken lassen zur richtigen Zeit fehlschlägt.

Deaktivieren des Weckers

Drücken Sie bei eingeschaltetem Radio die Taste Alarm und wählen Sie anschließend mit der Taste Prev oder Next den Wecker aus, den Sie deaktivieren möchten. Stellen Sie nun den Alarm (Wecker) auf OFF (Aus).

Drücken Sie die Taste Enter, um den Wecker zu deaktivieren.

Ausschalten des Wecksounds

Wenn der Wecksound ertönt, dann drücken Sie die Taste Standby, um den Wecksound auszuschalten.

HINWEIS: Wenn Sie den Wecksound nicht ausschalten, dann wird der Wecksound für eine Stunde wiedergegeben.

Schlummerfunktion

Wenn der Wecksound ertönt, dann drücken Sie die Taste Snooze, um den Wecksound vorübergehend auszuschalten. Der Wecksound ertönt nach 9 Minuten erneut.

Senderinformationen im DAB-Modus

Bei jedem Druck der Taste Info/Menu erscheinen im DAB-Modus auf dem Display nacheinander folgende Informationen:

Dynamisches Etikettensegment (DLS): Anzeige einer durch den Radiosender bereitgestellten Laufbandinformation.

Signalstärke: Anzeige eines Statusbalkens mit der Signalstärke des gerade wiedergegebenen Radiosenders.

Bit-Fehlerrate (BER): Zeigt Details zur Signalfehlerrate an.

Frequenz des Kanals: Zeigt sowohl Kanalnummer als auch Frequenz des empfangenen Radiosenders an.

Programmart (PTY): Zeigt sowohl Art als auch Beschreibung des durch den DAB+Radiosender bereitgestellten Programms an.

Uhrzeit und Datum: Zeigt die durch den Radiosender bereitgestellte Uhrzeit und Datum an.

Bitrate: Die Datenrate, mit der das Signal übertragen wird.

Senderinformationen im UKW-Modus

Bei jedem Druck der Taste Info/Menu erscheinen im UKW-Modus auf dem Display nacheinander folgende Informationen:

Radiotext: Anzeige einer durch den Radiosender bereitgestellten Laufbandinformation.

Programmart: Zeigt eine Beschreibung des durch den Radiosender bereitgestellten Programms an.

Signalstärke: Anzeige eines Statusbalkens mit der Signalstärke des gerade wiedergegebenen Radiosenders.

Zeit und Datum: Zeigt die durch den Radiosender bereitgestellte Uhrzeit und Datum an.

Frequenz: Zeigt die Frequenz des empfangenen Radiosenders an.

Audioart: Zeigt die Audioart des gerade wiedergegebenen Radiosenders an (Stereo oder Mono).

Hinweis: Drücken Sie mehrfach auf die Taste Enter, um zwischen Mono und Stereo zu wechseln.

Neuabstimmung Ihres DAB+/UKW-Radios

Sie können Ihr Radio neuabstimmen, um neue Radiosender oder die Radiosender einer neuen Region zu speichern. Ihre aktuell auf den Speicherplätzen gespeicherten Radiosender bleiben erhalten, wenn Sie zum Neuabstimmen einen vollständigen Scan durchführen. Im DAB-Modus:

Halten Sie die Taste SCAN gedrückt, um einen vollständigen Scan durchzuführen.

Der Fortschritt wird auf dem Display angezeigt.

Wenn der Scan beendet wurde, gibt das Radio den ersten Radiosender in der Liste oder den zuvor wiedergegebenen Radiosender wieder.

Verwendung der Kopfhörer

Sie können Kopfhörer verwenden, um Ihr DAB+/UKW-Radio anzuhören. Stecken Sie hierfür einfach den 3,5 mm Klinkenstecker des Kopfhörers in die Kopfhörerbuchse auf der Rückseite des Radios. Stellen Sie mit der Taste Vol+ oder Vol– die gewünschte Lautstärke ein.

Häufig gestellte Fragen:

Problem	Lösung
Kein Strom	Überprüfen Sie, ob das Radio an einer stromführenden Netzsteckdose angeschlossen wurde. Überprüfen Sie, ob Radio und Netzadapter ordnungsgemäß miteinander verbunden wurden.
Kein Ton	Überprüfen Sie, ob der Lautstärkeregler auf Minimum gestellt wurde.
Schlechter Empfang	Richten Sie die Antenne für den besten Empfang aus.
Gestörte Funktion	Wenn keine der obenstehenden Maßnahmen Abhilfe schafft, dann versuchen Sie, das Radio vom Netz zu trennen.

Technische Daten

Frequenzbereich	UKW 87.5 – 108 MHz DAB 174 – 240 MHz
Ausgänge	3,5 mm Kopfhörerbuchse
Antenne	Teleskop-Antenne
Netzteil (nur für EU)	
Hersteller	Shenzhen Adition Audio Science & Technology Co.Ltd
Eingangsspannung	AC 100-240 V~50/60 Hz, 0,5 A max.
Ausgangsspannung	DC 5V 2A
Modellnummer	AD1500502000EU-MICROUSB
Verwenden Sie nur den originalen AC-Adapter	
Verwenden Sie nur die im Handbuch angegebene Stromversorgung	

Informationen	Wert und Genauigkeit
Name des Herstellers oder der Handelsmarke, kommerzielle Zulassung und Anschrift	Shenzhen Adition Audio Science & Technology Co.Ltd
Modellidentifikator	AD1500502000EU-MICROUSB
Eingangsspannung	100-240V
Wechselstromfrequenz des AC-Eingangs	50/60Hz
Ausgangsspannung	5,0V
Ausgangsstrom	2,0A
Ausgangsleistung	10,0W
Durchschnittliche Effizienz bei Normallast	79,85%
Effizienz bei Niederlast (10 %)	77,78%
Leistungsaufnahme bei Nulllast	0,06W

Garantie

Lenco bietet Leistungen und Garantien im Einklang mit Europäischem Recht. Im Falle von Reparaturen (sowohl während als auch nach Ablauf der Garantiezeit) sollten Sie deshalb Ihren Einzelhändler kontaktieren.

Wichtiger Hinweis: Es ist nicht möglich, Geräte für Reparaturen direkt an Lenco zu schicken.

Wichtiger Hinweis: Falls dieses Gerät von einem nicht autorisierten Kundendienst geöffnet oder darauf zugegriffen wird, erlischt die Garantie.

Dieses Gerät ist nicht für professionelle Zwecke geeignet. Falls das Gerät für professionelle Zwecke eingesetzt wird, erlöschen alle Garantieverpflichtungen seitens des Herstellers.

Haftungsausschluss

Aktualisierungen der Firmware und/oder Hardware-Komponenten werden regelmäßig durchgeführt. Daher können einige der Anweisungen, Spezifikationen und Abbildungen in dieser Dokumentation von Ihrer individuellen Situation abweichen. Alle in diesem Handbuch beschriebenen Elemente dienen nur zur Illustration und treffen auf Ihre individuelle Situation möglicherweise nicht zu. Aus der in diesem Handbuch getätigten Beschreibung können keine Rechtsansprüche oder Ansprüche geltend gemacht werden.

Entsorgung des Altgeräts



Dieses Symbol zeigt an, dass das entsprechende Produkt oder dessen Batterie in Europa nicht mit dem normalen Hausmüll entsorgt werden darf. Um die ordnungsgemäße Abfallbehandlung des Produkts und dessen Batterie zu gewährleisten, müssen diese im Einklang mit allen anwendbaren örtlichen Vorschriften zur Entsorgung von Elektrogeräten und Batterien entsorgt werden. Dabei helfen Sie, natürliche Ressourcen zu schonen und Umweltschutzstandards zur Verwertung und Entsorgung von Altgeräten aufrecht zu halten (Waste Electrical and Electronic Equipment Directive).

CE-Kennzeichen

Hiermit erklärt Lenco Benelux B.V., Thermiekstraat 1a, 6361 HB Nuth, The Netherlands, dass dieses Produkt den grundsätzlichen Anforderungen der EU-Richtlinie entspricht. Die Konformitätserklärung ist erhältlich unter techdoc@commaxxgroup.com



Service

Weitere Informationen und Unterstützung erhalten Sie unter www.lenco.com

Lenco Benelux BV, Thermiekstraat 1a, 6361 HB Nuth, Die Niederlande.

ATTENTION :

L'utilisation de commandes ou d'ajustements ou l'exécution de procédures autres que celles spécifiées dans le présent document peuvent entraîner une exposition dangereuse aux radiations.

PRÉCAUTIONS AVANT UTILISATION

GARDEZ CES INSTRUCTIONS À L'ESPRIT :

1. Ne couvrez pas et n'obtenez pas les ouvertures de ventilation. Lorsque vous placez l'appareil sur une étagère, laissez 5 cm (2") d'espace libre tout autour de l'appareil.
2. Installez-le conformément au mode d'emploi fourni.
3. Gardez l'appareil à l'écart des sources de chaleur telles que des radiateurs, appareils de chauffage, fours, bougies et autres produits générant de la chaleur ou une flamme nue. L'appareil ne peut être utilisé que dans des climats modérés. Les environnements extrêmement froids ou chauds doivent être évités. La plage de température de fonctionnement se situe entre 0° et 35° C.
4. Évitez d'utiliser l'appareil à proximité de champs magnétiques puissants.
5. Des décharges électrostatiques peuvent perturber le fonctionnement de cet appareil. Dans ce cas, il suffit de réinitialiser et de redémarrer l'appareil en suivant le mode d'emploi. Pendant le transfert de fichiers, manipulez l'appareil avec précaution et faites-le fonctionner dans un environnement sans électricité statique.
6. Mise en garde ! N'introduisez jamais un objet dans l'appareil par les ouvertures et les fentes de ventilation. Étant donné que des tensions élevées sont présentes à l'intérieur du produit, l'insertion d'un objet peut entraîner une électrocution et/ou court-circuiter les composants internes. Pour les mêmes raisons, ne versez pas de l'eau ou un liquide sur le produit.
7. Ne l'utilisez pas dans des endroits humides tels qu'une salle de bain, une cuisine pleine de vapeur ou à proximité d'une piscine.
8. L'appareil ne doit pas être exposé à des écoulements ou des éclaboussures et aucun objet contenant un liquide, tel qu'un vase, ne doit être posé sur ou près de l'appareil.
9. N'utilisez pas cet appareil lorsque de la condensation est possible. Lorsque l'appareil est utilisé dans une pièce humide et chaude, des gouttelettes d'eau ou de la condensation peuvent se former à l'intérieur de l'appareil et affecter son fonctionnement. Laissez l'appareil hors tension pendant 1 ou 2 heures avant de le mettre en marche : l'appareil doit être sec avant sa mise sous tension.
10. Bien que ce dispositif soit fabriqué avec le plus grand soin et contrôlé à plusieurs reprises avant de quitter l'usine, des problèmes peuvent néanmoins survenir, comme avec tous les appareils électriques. Si l'appareil émet de la fumée ou en cas d'accumulation excessive de la chaleur ou d'un phénomène inattendu, débranchez immédiatement la fiche d'alimentation du secteur.
11. Cet appareil doit fonctionner avec la source d'alimentation indiquée sur la plaque signalétique. Si vous n'êtes pas sûr du type d'alimentation utilisé chez vous, contactez votre revendeur ou le fournisseur local d'électricité.
12. Tenez l'appareil à l'abri des animaux. Certains animaux aiment ronger les cordons électriques.
13. Pour nettoyer l'appareil, servez-vous d'un chiffon doux et sec. N'utilisez pas de solvant ni d'autre liquide à base de pétrole. Pour enlever les taches importantes, vous pouvez vous servir d'un chiffon humide imbibé d'une solution de détergent diluée.
14. Le fournisseur n'est pas responsable des dommages ou pertes de données causés par un dysfonctionnement, une utilisation abusive, une modification de l'appareil ou un remplacement de la batterie.
15. N'interrompez pas la connexion lorsque l'appareil formate ou transfère des fichiers. Dans le cas contraire, les données pourraient être endommagées ou perdues.
16. Si l'appareil a une fonction de lecture USB, il faut brancher la clé USB directement sur l'appareil. N'utilisez pas un câble d'extension USB, car cela peut causer des interférences entraînant des pertes de données.
17. L'étiquette de classification se trouve sur le panneau inférieur ou arrière de l'appareil.
18. Cet appareil ne doit pas être utilisé par des personnes (y compris les enfants) souffrant de déficiences physiques, sensorielles ou mentales, ou d'un manque d'expérience et de

- connaissances, à moins qu'elles n'aient été supervisées ou qu'une personne responsable de leur sécurité ne leur ait donné des instructions sur l'utilisation correcte de l'appareil.
19. Ce produit est réservé à un usage non professionnel, et non pas à un usage commercial ni industriel.
 20. Vérifiez que l'appareil est en position stable. La garantie ne couvre pas les dégâts occasionnés par l'utilisation de cet appareil en position instable, par les vibrations, les chocs ou par la non-observation de tout autre avertissement ou précaution contenus dans ce mode d'emploi.
 21. N'ouvrez jamais cet appareil.
 22. Ne placez jamais cet appareil sur un autre appareil électrique.
 23. Ne laissez pas les sacs en plastique à la portée des enfants.
 24. Utilisez uniquement les accessoires recommandés par le fabricant.
 25. Confiez l'entretien et les réparations à un personnel qualifié. Une réparation est nécessaire lorsque l'appareil a été endommagé de quelque façon que ce soit, par exemple lorsque le cordon d'alimentation ou la prise sont endommagés, lorsqu'un liquide s'est déversé ou des objets sont tombés sur l'appareil, lorsque l'appareil a été exposé à la pluie ou à l'humidité, lorsqu'il ne fonctionne pas correctement ou est tombé.
 26. Une exposition prolongée à la musique avec un volume élevé peut entraîner une perte auditive temporaire ou permanente.
 27. Si l'appareil est livré avec un câble d'alimentation ou un adaptateur secteur :
 - En cas de problème, débranchez le cordon d'alimentation CA et confiez l'entretien à un personnel qualifié.
 - Ne marchez pas sur l'adaptateur secteur ou ne le coincez pas. Faites très attention, en particulier à proximité des fiches et du point de sortie du câble. Ne placez pas d'objets lourds sur l'adaptateur secteur, car ils pourraient l'endommager. Gardez l'appareil hors de portée des enfants ! Ils pourraient se blesser gravement s'ils jouent avec le câble d'alimentation.
 - Débranchez cet appareil pendant les orages ou lorsqu'il n'est pas utilisé pendant une longue durée.
 - La prise secteur doit être installée près de l'appareil et doit être facilement accessible.
 - Ne surchargez pas les prises de courant ou les rallonges. Une surcharge peut entraîner un incendie ou une électrocution.
 - Les appareils de classe 1 doivent être branchés à une prise de courant disposant d'une connexion protectrice à la terre.
 - Les appareils à la norme de construction de classe 2 ne nécessitent pas de connexion à la terre.
 - Tirez toujours sur la fiche pour débrancher le cordon de la prise secteur. Ne tirez pas sur le cordon d'alimentation. Cela pourrait provoquer un court-circuit.
 - N'utilisez pas un cordon ou une fiche d'alimentation endommagé ni une prise desserrée. Vous courez un risque d'incendie ou de décharge électrique.
 28. Si le produit contient ou est livré avec une télécommande contenant des piles boutons :

Avertissement :

 - « N'ingérez pas la pile, car vous risquez une brûlure chimique » ou une formule équivalente.
 - La télécommande fournie contient une pile bouton/pièce de monnaie. Si la pile est avalée, elle peut causer de graves brûlures internes en seulement 2 heures et peut entraîner la mort.
 - Tenez les piles neuves et usagées hors de portée des enfants.
 - Si le compartiment à piles ne se ferme pas correctement, cessez d'utiliser l'appareil et tenez-le hors de portée des enfants.
 - Si vous pensez que les piles ont été avalées ou placées à l'intérieur d'une partie du corps, consultez un médecin immédiatement.
 29. Mise en garde relative à l'utilisation des piles :
 - Risque d'explosion si la pile est mal remplacée. Remplacez les piles par des piles d'un type identique ou équivalent.
 - Pendant l'utilisation, le stockage ou le transport, la pile ne doit pas être soumise à des températures extrêmement élevées ou basses, à une faible pression d'air à haute altitude.

- Le remplacement d'une pile par une autre de type incorrect peut entraîner une explosion ou une fuite de liquide ou de gaz inflammable.
- L'introduction d'une pile dans le feu ou dans un four chaud, l'écrasement ou le découpage mécanique peut entraîner une explosion.
- L'exposition d'une pile dans un environnement à température extrêmement élevée peut entraîner une explosion ou une fuite de liquide ou de gaz inflammable.
- L'exposition d'une pile à une pression d'air extrêmement basse peut entraîner une explosion ou une fuite de liquide ou de gaz inflammable.
- Veuillez considérer les questions environnementales lors de la mise au rebut des piles.

INSTALLATION

- Déballez toutes les pièces et enlevez le matériau de protection.
- Ne connectez pas l'unité au secteur avant d'avoir vérifié la tension du secteur et avant que toutes les autres connexions n'aient été effectuées.

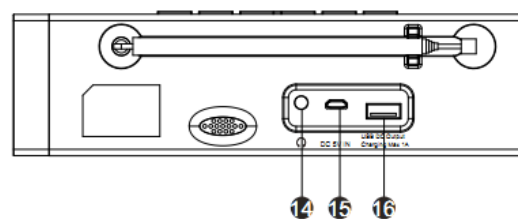
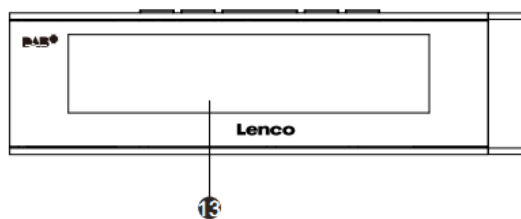
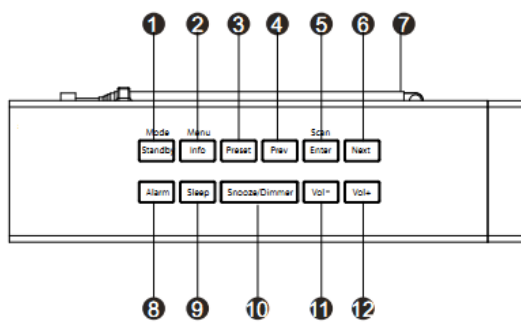


AVERTISSEMENT : L'utilisation d'un lecteur de musique personnel dans la circulation peut détourner l'attention de l'auditeur de dangers potentiels tels que l'approche des voitures.



AVERTISSEMENT : Pour éviter une éventuelle détérioration de l'ouïe, n'écoutez pas la musique à un niveau de volume élevé pendant des périodes prolongées.

Présentation du produit



1. Bouton Veille/Mode
2. Bouton Info/menu
3. Bouton Présélection
4. Bouton Précédent
5. Bouton Entrée/recherche
6. Bouton Suiv
7. Antenne
8. Bouton Alarme
9. Bouton Veille
10. Bouton Rappel de sonnerie/variateur
11. Bouton Vol-
12. Bouton Vol+
13. Écran à cristaux liquides
14. Prise casque
15. Prise d'entrée CC
16. Port de sortie de charge USB

Instructions

Fonctionnement de base

Première utilisation de la radio

Connectez la radio à l'adaptateur d'alimentation fourni.

Branchez l'autre extrémité dans une prise secteur, l'appareil sera sous tension et affichera « Welcome to digital Radio » (Bienvenue sur la radio numérique) et passera en mode veille.

Appuyez sur le bouton Veille/Mode pour mettre en marche la radio.

Sélection des modes

Quand la radio est en marche, appuyez sur le bouton Mode plusieurs fois pour basculer entre les modes DAB + et FM.

Fonctionnement DAB+

Quand vous sélectionnez la radio DAB+ pour la première fois, appuyez sur le bouton Scan et la radio recherchera et mémorisera toutes les DAB+ disponibles. Une fois que la recherche automatique est terminée, votre radio sélectionne la première station syntonisée.

Sélection de stations. Avec votre radio en marche :

Appuyez sur le bouton Mode pour sélectionner le mode DAB+.

Appuyez sur le bouton Préc ou Suiv pour naviguer dans la liste des stations.

Appuyez sur le bouton Enter pour syntoniser la station actuellement affichée sur l'écran.

Vous pouvez régler le volume avec le bouton Vol+ ou Vol-.

Fonctionnement FM

Quand la radio est en marche, appuyez sur le bouton Mode et sélectionnez le mode FM.

Appuyez sur le bouton Préc ou Suiv pour syntoniser manuellement les fréquences spécifiques par paliers de 0,05 MHz.

Cette radio inclut également la fonctionnalité de recherche FM, ce qui permet de syntoniser automatiquement des FM.

Maintenez enfoncé le bouton Next pour rechercher automatiquement la prochaine station de radio disponible. Quand une station est trouvée, elle est lue automatiquement.

Vous pouvez rechercher des stations dans le sens inverse en maintenant enfoncé le bouton Prev.

Mémorisation de stations comme présélections

La radio peut mémoriser 10 stations comme présélections en mode DAB+ et FM. Pour mémoriser une station en tant que présélection :

Syntonisez la station que vous souhaitez mémoriser, maintenez enfoncé le bouton jusqu'à ce que l'écran affiche « **preset store** » (**mémorisation de la présélection**), puis utilisez le bouton Prev ou Next pour sélectionner la présélection souhaitée à mémoriser.

Maintenez enfoncé le bouton Enter pour mémoriser la station. Le message « Preset xx stored » (mémorisé à l'emplacement xx) s'affichera sur l'écran.

Chargement de stations mémorisées comme présélections

Pour charger une station présélectionnée :

Sélectionnez la bande (DAB+ ou FM) de la station en appuyant sur le bouton Mode.

Appuyez sur le bouton Preset pour charger la station présélectionnée, puis en utilisant le bouton Préc ou Suiv pour parcourir vos présélections et appuyez sur le bouton Enter pour confirmer.

Réglage automatique de l'heure

Quand vous mettez en marche la radio pour la première fois, elle se synchronisera automatiquement avec l'heure locale tout en recherchant des stations DAB+. Si l'heure ne s'est pas été réglée toute seule, essayez de changer l'emplacement de l'appareil pour améliorer le signal.

Réglages système

Quand l'appareil est en marche, maintenez enfoncé le bouton Info/Menu, ce qui ouvrira « Set Menu » (menu de réglage).

Appuyez sur le bouton Préc ou Suiv pour sélectionner la sous-option voulue.

Réglage de l'heure/de la date

Maintenez enfoncé le bouton Info/Menu, <Time/Date> (heure/date) s'afficheront sur l'écran, appuyez sur le bouton Enter pour accéder au mode de réglage de l'heure.

Les chiffres des heures clignotent. Appuyez sur le bouton Préc ou Suiv pour régler les heures. Appuyez sur le bouton ENTER pour confirmer.

Répétez les deux dernières étapes pour régler les minutes, l'année, le mois et le jour.

Version du système

Vous pouvez consulter le numéro de version du logiciel en maintenant enfoncé le bouton Info/Menu. Appuyez sur le bouton Préc ou Suiv jusqu'à ce que <System Version> (version du système) s'affiche sur l'écran, puis appuyez sur le bouton Enter pour confirmer.

Réinitialisation de la radio

La réinitialisation de la radio supprimera toutes les stations DAB syntonisées et toutes les stations mémorisées en modes FM et DAB. Pour réinitialiser la radio :

Maintenez enfoncé le bouton INFO/MENU.

Appuyez sur le bouton Préc ou Suiv jusqu'à ce que <Factory reset> (réinitialisation des paramètres d'usine) s'affiche sur l'écran, appuyez sur le bouton Enter et <Yes> (oui) ou <No> (non) s'affiche sur l'écran. Utilisez le bouton Préc ou Suiv pour sélectionner <Yes> (oui).

Appuyez sur le bouton Enter et la radio se réinitialisera.

Réglage de la mise en veille

Appuyez sur le bouton Sleep.

Appuyez sur le bouton Préc ou Suiv pour sélectionner l'une des options suivantes : OFF (désactivé)-120-90-60-45-30-15-5 minutes.

Appuyez sur le bouton Enter pour confirmer.

Utilisation de l'alarme

Réglage d'alarme

Avec la radio en marche, appuyez sur le bouton Alarm puis sur le bouton Enter et OFF (désactivé) clignote sur l'écran.

Ensuite, appuyez sur le bouton Préc ou Suiv pour choisir Alarm 1 (alarme 1) en position ON (activé), puis appuyez sur le bouton Enter pour confirmer.

Les heures clignotent, utilisez le bouton Préc ou Suiv pour sélectionner les heures. Appuyez sur le bouton Enter pour confirmer.

Les minutes clignotent, utilisez le bouton Préc ou Suiv pour sélectionner les minutes. Appuyez sur le bouton Enter pour confirmer.

Les chiffres du volume clignotent, utilisez le bouton Préc ou Suiv pour sélectionner le volume. Appuyez sur le bouton Enter pour confirmer.

La source d'alarme clignote, utilisez le bouton Préc ou Suiv pour sélectionner la source d'alarme. Alarme/DAB/FM. Appuyez sur le bouton Enter pour confirmer.

Avec la radio en marche, appuyez deux fois sur le bouton Alarm pour régler Alarm 2 :

La procédure de réglage est identique à celle de « ALARM1 ».

REMARQUE : Vous pouvez appuyer sur le bouton Info/Menu pour revenir à la dernière étape de la procédure de réglage de l'alarme.

Avertissement : À un endroit où la réception DAB est mauvaise après une coupure de courant, le réglage de l'horloge peut ne pas se rétablir, auquel cas le réveil par minuteur peut ne pas fonctionner.

Désactivation de l'alarme

Avec la radio en marche, appuyez sur le bouton Alarm, puis sélectionnez l'alarme à désactiver grâce au bouton Préc ou Suiv pour choisir Alarm (alarme) en position OFF (désactivé).

Appuyez sur le bouton Enter. L'alarme se désactive.

Éteindre le réveil

Appuyez sur le bouton Power/Standby pour désactiver l'alarme quand l'alarme sonne.

REMARQUE : L'alarme continuera de sonner pendant une heure si vous ne la désactivez pas quand elle sonne.

Fonction de rappel d'alarme

Quand l'alarme sonne, appuyez sur le bouton Snooze pour désactiver l'alarme provisoirement. L'alarme s'arrête et reprendra au bout de 9 minutes.

Informations sur la station en mode DAB

À chaque fois que vous appuyez sur le bouton Info/Menu en mode DAB, l'écran affichera en boucle les modes d'affichage suivants :

Segment d'étiquette dynamique (DLS) : Affiche les informations du texte défilant fournies par le diffuseur.

Puissance du signal : Affiche une barre de signal indiquant la puissance de station en cours.

Taux d'erreurs sur les bits (BER) : Fournit des détails du taux d'erreur de signal.

Fréquence des stations : Affiche le numéro et la fréquence du canal de transmission de la station.

Type de programme (PTY): Affiche le type et la description du programme fourni par la station DAB+.

Heure/date: Affiche les informations sur l'heure et la date fournies par le diffuseur.

Débit binaire : Le débit de données auquel le signal est transmis.

Informations sur la station en mode FM

À chaque fois que vous appuyez sur le bouton Info/Menu en mode FM, l'écran affichera en boucle les modes d'affichage suivants :

Texte radio : Affiche les informations du texte défilant fournies par le diffuseur.

Type de programme: Affiche une description du programme fournie par la station de radio.

Puissance du signal : Affiche une barre de signal indiquant la puissance de station en cours.

Heure et date : Affiche les informations sur l'heure et la date fournies par le diffuseur.

Fréquence : Affiche la fréquence de transmission de la station.

Type audio : Affiche le type audio de la station en cours (stéréo ou mono).

Remarque : Pour basculer entre mono et stéréo en appuyant sur le bouton Enter plusieurs fois.

Nouvelle syntonisation de votre radio DAB+/FM

Vous pouvez re-syntoniser vos stations de radio afin de mémoriser de nouvelles stations ou syntoniser les fréquences d'une nouvelle région. Vos stations présélectionnées resteront en mémoire quand vous faites une nouvelle recherche complète. En mode DAB :

Maintenez enfoncé le bouton Scan pour réaliser une recherche complète.

La progression sera indiquée sur l'écran.

Une fois que la syntonisation est terminée, la radio lira la première station de la liste ou reviendra à la dernière station lue.

Utilisation d'écouteurs

Vous pouvez écouter votre radio DAB+/FM en utilisant des écouteurs, il suffit de brancher la fiche de 3,5 mm dans la prise casque à l'arrière de votre appareil. Réglez le volume grâce à Vol+ or Vol-.

FAQ

Problème	Solution
Pas d'alimentation	Vérifiez que le système est branché sur une prise secteur opérationnelle. Vérifiez que l'adaptateur d'alimentation, CC est correctement branché à la prise CC sur la radio.
Aucun son	Vérifiez que le volume n'est pas réglé au minimum.
Réception médiocre.	Réorientez l'antenne FM afin d'améliorer la réception.
Fonctionnement perturbé	Si aucune des solutions ci-dessus ne fonctionne, essayez de débrancher votre radio.

Caractéristiques

Plage de fréquence	FM 87,5 - à 108 MHz DAB 174 à 240 MHz
Connecteur de sortie	Prise d'écouteurs de 3,5 mm
Antenne	Antenne télescopique
Adaptateur d'alimentation (uniquement pour l'Europe)	
Fabricant	Shenzhen Adition Audio Science & Technology Co.Ltd
Entrée	CA 100-240V~50/60Hz ; 0,5A Max
Sortie	CC 5V 2A
Numéro du modèle	AD1500502000EU-MICROUSB
Utilisez uniquement l'adaptateur CA d'origine	
Utilisez uniquement l'alimentation électrique indiquée dans le mode d'emploi.	

Informations	Valeur et précision
Nom ou marque du fabricant, enregistrement commercial et adresse	Shenzhen Adition Audio Science & Technology Co.Ltd
Référence du modèle	AD1500502000EU-MICROUSB
Tension d'entrée	100-240V
Fréquence du CA d'entrée	50/60Hz
Tension de sortie	5,0V
Courant de sortie	2,0A
Puissance de sortie	10,0W
Rendement moyen en mode actif	79,85%
Rendement à faible charge (10 %)	77,78%
Consommation électrique sans charge	0,06W

Garantie

Lenco propose un entretien et une garantie conformément à la législation européenne, ce qui signifie qu'en cas de besoin de réparation (aussi bien pendant et après la période de garantie), vous pouvez contacter votre revendeur le plus proche.

Remarque importante : Il n'est pas possible de renvoyer l'appareil pour réparation directement à Lenco.

Remarque importante : Si l'unité est ouverte ou modifiée de quelque manière que ce soit par un réparateur non agréé, la garantie serait caduque.

Cet appareil ne convient pas à une utilisation professionnelle. En cas d'utilisation professionnelle, les obligations de garantie du fabricant seront annulées.

Clause de non responsabilité

Des mises à jour du logiciel et/ou des composants informatiques sont régulièrement effectuées. Il se peut donc que certaines instructions, caractéristiques et images présentes dans ce document diffèrent légèrement de votre configuration spécifique. Tous les articles décrits dans ce guide le sont fournis uniquement à des fins d'illustration et peuvent ne pas s'appliquer à une configuration spécifique. Aucun droit légal ne peut être obtenu depuis les informations contenues dans ce manuel.

Mise au rebut de l'appareil usagé



Ce symbole indique que l'équipement électrique concerné ou la batterie ne doivent pas être jetés parmi les autres déchets ménagers en Europe. Afin de garantir un traitement approprié de la batterie ou de l'appareil usagés, veuillez les mettre au rebut conformément à la réglementation locale en vigueur relative aux équipements électriques et autres batteries. En agissant de la sorte, vous contribuerez à la préservation des ressources naturelles et à l'amélioration des niveaux de protection environnementale concernant le traitement et la destruction des déchets électriques (Directive sur les déchets des équipements électriques et électroniques).

Marquage CE

Par la présente, Lenco Benelux B.V., Thermiekstraat 1a, 6361 HB Nuth, Pays-Bas, déclare que ce produit est conforme aux exigences principales des directives européennes. La déclaration de conformité peut être consultée au lien : techdoc@commaxxgroup.com



Service

Pour en savoir plus et obtenir de l'assistance, visitez www.lenco.com

Lenco Benelux BV, Thermiekstraat 1a, 6361 HB Nuth, The Netherlands.

PRECAUCIÓN:

El uso de controles o ajustes o rendimiento de procedimientos excepto aquellos que los aquí especificados puede provocar una exposición peligrosa a la radiación.

PRECAUCIONES PREVIAS AL USO

TENGA ESTAS INSTRUCCIONES EN MENTE:

1. No cubra o bloquee ninguna apertura de ventilación. Cuando coloque el dispositivo en una estantería, deje 5 cm (2") de espacio libre alrededor de todo el dispositivo.
2. Instálelo conforme al manual de usuario que se adjunta.
3. Mantenga el aparato alejado de fuentes de calor, como radiadores, calentadores, estufas, velas u otros productos que generen calor o llama viva. El aparato solo puede usarse en climas moderados. Se deben evitar los ambientes extremadamente fríos o cálidos. La gama de temperatura de funcionamiento es de entre 0° y 35°C.
4. Evite usar el dispositivo cerca de campos magnéticos fuertes.
5. Una descarga electrostática puede entorpecer el uso normal de este dispositivo. En tal caso, simplemente reinícielo siguiendo el manual de instrucciones. Durante la transmisión de archivos, por favor manéjelo con cuidado opérelo en un entorno libre de electricidad estática.
6. ¡Advertencia! Nunca inserte un objeto en el producto a través de las ventilaciones o aperturas. Alto voltaje fluye a través del producto e insertar un objeto puede provocar una descarga eléctrica y/o un cortocircuito de sus componentes internos. Por el mismo motivo, no derrame agua o líquidos en el producto.
7. No lo utilice en zonas húmedas, como cuartos de baño, cocinas en las que se forme vapor ni cerca de piscinas.
8. El aparato no debe exponerse a goteos o salpicaduras y asegúrese de que se colocan sobre o cerca del aparato objetos llenos de líquidos, como jarrones.
9. No use este dispositivo cuando se pueda producir condensación. Cuando la unidad se usa en una sala húmeda cálida, se pueden formar gotitas de agua o condensación en el interior de la unidad y esta puede no funcionar adecuadamente; deje que la unidad se apague durante 1 o 2 horas antes de volver a encender la unidad: el aparato debe estar seco antes de conectarse a una fuente de alimentación.
10. Aunque este dispositivo está fabricado con el máximo cuidado y comprobado varias veces antes de salir de fábrica, todavía es posible que se puedan producir problemas, al igual que con todos los aparatos eléctricos. Si observa la aparición de humo, una acumulación excesiva de calor o cualquier otro fenómeno inesperado, deberá desconectar inmediatamente el enchufe de la toma de corriente.
11. Este dispositivo debe funcionar con una fuente de alimentación que se especifica en la etiqueta de especificaciones. Si no está seguro del tipo de alimentación que se usa en su hogar, consulte con el distribuidor o una compañía eléctrica local.
12. Manténgalo alejado de los animales. A algunos animales les encanta morder los cables de alimentación.
13. Para limpiar el dispositivo use un paño seco y suave. No utilice líquidos disolventes ni con base de petróleo. Para eliminar manchas difíciles, puede usar un paño húmedo con detergente diluido.
14. El proveedor no asume ninguna responsabilidad por daños o datos perdidos provocados por un funcionamiento incorrecto, uso incorrecto, modificación del dispositivo o sustitución de la batería.
15. No interrumpa la conexión cuando el dispositivo esté formateando o transfiriendo archivos. En caso contrario, los datos se pueden estropear o perder.
16. Si la unidad dispone de función de reproducción USB, se debe conectar la memoria USB directamente en la unidad. No utilice un cable de extensión USB ya que pueden crear interferencias que causen una pérdida de datos.
17. La etiqueta calificativa se encuentra en la parte inferior o en el panel posterior del aparato.
18. Este dispositivo no está diseñado para su uso por parte de personas (incluyendo niños) con discapacidad física, sensorial o mental o con falta de experiencia o conocimientos, salvo que se

- les haya dado supervisión o instrucciones acerca del uso correcto del dispositivo por parte de una persona responsable de su seguridad.
19. Este producto está diseñado para un uso no profesional únicamente y no para un uso comercial o industrial.
 20. Asegúrese de que la unidad esté fijada en una posición estable. La garantía no cubrirá los daños derivados de usar este producto en una posición inestable, vibraciones o golpes o por no seguir otras advertencias o precauciones que aparecen en este manual de usuario.
 21. Nunca retire la carcasa del dispositivo.
 22. Nunca coloque este dispositivo sobre otro equipo eléctrico.
 23. Mantenga las bolsas de plástico fuera del alcance de los niños.
 24. Use únicamente los dispositivos/accesorios especificados por el fabricante.
 25. Remita todas las reparaciones al personal cualificado. Es necesario el mantenimiento cuando el aparato presenta cualquier tipo de daño, por ejemplo, el cable de alimentación o el enchufe presentan daños; se ha vertido líquido sobre el aparato; se han caído objetos en el aparato; el aparato se ha expuesto a la lluvia o humedad; el aparato no funciona normalmente o se ha caído.
 26. Una larga exposición a sonidos elevados de reproductores de música personales puede provocar una pérdida de audición temporal o permanente.
 27. Si el producto viene con un cable de alimentación o un adaptador de corriente de CA:
 - Si se produce cualquier problema, desconecte el cable de alimentación CA y remítalo a mantenimiento por parte de personal cualificado.
 - No pise o pince el adaptador de alimentación. Tenga mucho cuidado, en especial en las zonas alrededor de las tomas y el punto de salida del cable. No coloque objetos pesados en el adaptador de alimentación, ya que pueden dañarlo. ¡Mantenga el dispositivo fuera del alcance de los niños! Si juegan con el cable de alimentación, puede sufrir lesiones graves.
 - Desconecte el dispositivo durante tormentas eléctricas o cuando no vaya a usarse durante periodos prolongados de tiempo.
 - La salida de la toma debe instalarse cerca del equipo y debe ser fácilmente accesible.
 - No sobrecargue las tomas CA o los cables de extensión. La sobrecarga puede provocar un incendio o una descarga eléctrica.
 - Los dispositivos con construcción de Clase 1 deben estar conectados a una toma de corriente con una conexión a tierra protegida.
 - Los dispositivos con construcción de Clase 2 no requieren una conexión a tierra.
 - Sujete siempre el enchufe cuando los extraiga de la toma de corriente. No tire del cable de alimentación. Esto puede provocar un cortocircuito.
 - No utilice un cable de alimentación o enchufe deteriorado o una toma suelta. Si lo hace, podría provocar un incendio o una descarga eléctrica.
 28. Si el producto contiene o se entrega con un mando a distancia que contiene pilas de botón / celdas:

Advertencia:

 - “Ni ingiera la pila, riesgo de quemadura química” o frase equivalente.
 - [El mando a distancia que se suministra] Este producto contiene una pila de tipo botón/moneda. Si la pila se traga, puede provocar graves quemaduras internas en sólo 2 horas y podría ocasionar la muerte.
 - Mantenga las pilas nuevas o usadas fuera del alcance de los niños.
 - Si el compartimento de las pilas no se cierra correctamente, deje de usar el producto y no lo deje al alcance los niños.
 - Si tiene la sospecha de que una pila ha sido ingerida o se encuentra en algún lugar del cuerpo, busque inmediatamente atención médica.
 29. Precaución sobre el uso de las pilas:
 - Existe riesgo de explosión si la pila no se sustituye correctamente. Sustitúyala únicamente con otra del mismo tipo u otro equivalente.
 - No se pueden exponer las pilas a temperaturas extremadamente altas o bajas, baja presión de aire a gran altitud durante el uso, almacenamiento o transporte.
 - Si cambia la pila por otra que no sea la correcta, se puede producir una explosión o la fuga de líquidos o gases inflamables.

- Si arroja la pila al fuego o a un horno caliente, o aplasta o corta mecánicamente una pila, podría provocar una explosión.
- Si deja una pila en un lugar con temperaturas extremadamente altas, se puede producir una explosión o una fuga de líquido o gas inflamable.
- Si se expone la pila a una presión de aire extremadamente baja, se puede producir una explosión o la fuga de líquidos o gases inflamables.
- Se debe prestar atención a los aspectos medioambientales sobre la eliminación de baterías.

INSTALACIÓN

- Desembale todas las piezas y retire el material protector.

No conecte la unidad a la corriente eléctrica antes de comprobar la tensión de la corriente y antes de que se hayan hecho todas las demás conexiones.

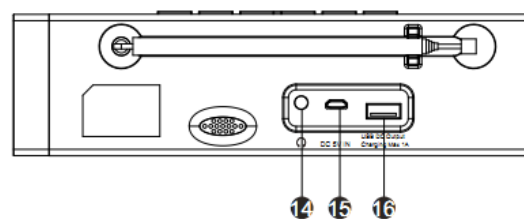
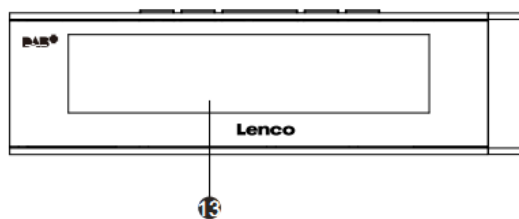
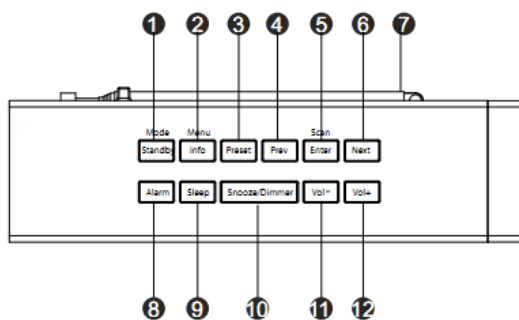


ADVERTENCIA: Utilizar un reproductor de música personal mientras participa en el tráfico puede hacer que el usuario esté menos atento a los peligros potenciales, como vehículos que se acercan.



ADVERTENCIA: Para evitar posibles daños en la audición, no la escuche a volúmenes elevados durante largos periodos de tiempo.

Descripción general del producto



1. Botón en Espera/Modo
2. Botón Información/Menú

3. Botón de Presintonía
4. Botón Anterior
5. Botón Entrar/Búsqueda
6. Botón Siguiente
7. Antena
8. Botón de Alarma
9. Botón de apagado automático
10. Botón Posponer alarma/Atenuar
11. Botón Volumen-
12. Botón Volumen+
13. Pantalla LCD
14. Conector de auriculares
15. Conector de entrada de CC
16. Puerto USB de salida de carga

Instrucciones

Funcionamiento básico

Encender la radio por primera vez

Conecte la radio con el adaptador de alimentación que se adjunta.

Conecte el otro extremo a la toma de corriente. La unidad se encenderá, mostrará el mensaje "Welcome to digital Radio" (Bienvenido a la radio digital) y pasará al modo en espera.

Pulse el botón Standby/Mode para encender la radio.

Seleccionar los modos

Cuando se encienda la radio, pulse el botón Mode de forma reiterada para cambiar entre los modos DAB + y FM.

Funcionamiento de DAB

Cuando seleccione por primera vez la radio DAB+, mantenga pulsado el botón Scan para buscar y almacenar todas las emisoras DAB+ disponibles. Una vez finalizada la búsqueda, su radio seleccionará la primera emisora sintonizada.

Selección entre emisoras. Con la radio encendida:

Pulse el botón Mode para seleccionar el modo DAB+.

Pulse el botón Prev o Next para navegar a través de la lista de emisoras.

Pulse el botón Enter para sintonizar la emisora que se muestra actualmente en la pantalla.

Puede ajustar el volumen pulsando el botón Vol+ o Vol-.

Funcionamiento de FM

Con la radio encendida, pulse el botón Mode para seleccionar el modo FM.

Pulse el botón Prev o Next para sintonizar manualmente frecuencias específicas mediante 0.05MHz por paso.

La radio asimismo incluye la propiedad de búsqueda de FM, lo que le permite sintonizar automáticamente las emisoras FM.

Mantenga pulsado el botón Next para buscar automáticamente la siguiente emisora de radio disponible. Cuando se encuentre una emisora se reproducirá automáticamente.

Puede buscar emisoras en dirección contraria manteniendo pulsado el botón Prev.

Guardar emisoras como presintonizaciones

La radio puede guardar 10 emisoras como presintonizaciones tanto en modo DAB+ como en modo FM. Para guardar una presintonización:

Sintonice la emisora que desee guardar; mantenga pulsado el botón presintonía hasta que la pantalla muestre **"preset store" (guardar presintonía)**; ahora use el botón anterior o siguiente para seleccionar la presintonía que desee para guardarla.

Pulse el botón Enter para guardar la emisora. Aparecerá en la pantalla el mensaje "Preset xx stored" (Presintonía xx guardada).

Recuperar emisoras guardadas como presintonizaciones

Para recuperar una emisora presintonizada:

Seleccione la banda (DAB+ o FM) de la emisora pulsando el botón Mode.

Pulse el botón Preset para recordar la emisora presintonizada; posteriormente, use el botón Prev o Next para navegar por las presintonías y pulse el botón Enter para confirmarlo.

Configurar la hora automáticamente

Cuando encienda la radio por primera vez, se sincronizará automáticamente con la hora local mientras busca emisoras DAB+. Si la hora no se ha fijado por sí misma intente cambiar la ubicación del dispositivo para obtener una mejor señal.

Configuración del sistema

Con la unidad encendida, mantenga pulsado en botón Info/Menu. Esto abrirá "Set Menu (Configurar menú)".

Pulse el botón Prev o Next para seleccionar la subopción que desee.

Ajustar la hora/fecha

Mantenga pulsado el botón Info/Menu; se mostrará en pantalla la <Time/Date> (Hora/Fecha); pulse el botón Enter para entrar en el modo de configuración.

El dígito de la hora parpadeará. Pulse el botón Prev o Next para fijar la hora. Pulse el botón ENTER para confirmar.

Repita los últimos dos pasos para ajustar los minutos, el año, el mes y la fecha.

Versión del sistema

Puede comprobar el número de versión de software manteniendo pulsado el botón Info/Menu. Pulse el botón Prev o Next hasta que se muestre en pantalla <System Version> (Versión del sistema); pulse el botón Enter para confirmarlo.

Restablecer la radio

Reiniciar la radio eliminará todas las emisoras DAB+ sintonizadas y todas las emisoras presintonizadas en la memoria en los modos FM y DAB+. Para reiniciar la radio:

Mantenga pulsado el botón INFO/MENU.

Pulse el botón Prev o Next hasta que aparezca en pantalla <Versión del sistema> (Reinicio a fábrica); pulse el botón Enter y se muestra <Yes> (Sí) o <No> en la pantalla. Use el botón Prev o Next para seleccionar <Yes> (Sí).

Pulse el botón Enter y la radio se reiniciará.

Ajuste de apagado automático

Pulse el botón Sleep.

Pulse los botones Prev o Next para seleccionar OFF-120-90-60-45-30-15-5 minutos.

Pulse el botón Enter para confirmar.

Uso de la alarma

Ajustar la alarma

Con la radio encendida, pulse el botón Alarm y después el botón Enter. En la pantalla parpadeará OFF (Desactivado).

Posteriormente, pulse el botón Prev o Next para cambiar Alarma 1 a la posición ON; pulse el botón Enter para confirmarlo.

Las horas parpadearán; use el botón Prev o Next para seleccionar la hora. Pulse el botón Station para confirmarlo.

Los minutos parpadearán; use el botón Prev o Next para seleccionar los minutos. Pulse el botón Station para confirmarlo.

El dígito de volumen parpadeará; use el botón Prev o Next para seleccionar el volumen. Pulse el botón Station para confirmarlo.

La fuente de alarma parpadeará; utilice el botón Prev o Next para seleccionar la fuente de alarma: Alarma/DAB/FM. Pulse el botón Station para confirmarlo.

Con la radio encendida, pulse dos veces el botón Alarm para establecer la alarma 2.

El procedimiento de configuración es el mismo que para "ALARMA 1".

NOTA: Puede pulsar el botón Info/Menu para retroceder un paso en el proceso de ajuste de la alarma.

Advertencia: En lugares con mala recepción DAB es posible que el ajuste de la hora no se recupere tras un corte de alimentación, por lo que podría fallar el despertador.

Desactivar la alarma

Con la radio encendida, pulse el botón Alarm y seleccione la alarma que desea desactivar utilizando el botón Prev o Next para seleccionar la posición OFF de la alarma.

Pulse el botón Enter. La alarma se desactivará.

Apagar la alarma

Pulse el botón Standby para apagar la alarma cuando ésta suene.

NOTA: La alarma seguirá sonando durante una hora si no la apaga cuando suene.

Función de repetición

Cuando suene la alarma, pulse el botón Enter para apagar la alarma temporalmente. La alarma se retrasará durante 9 minutos y después se volverá a conectar.

Información de emisora en modo DAB

Cada vez que pulse el botón Info/Menu en el modo DAB, la pantalla cambiará según los modos de pantalla siguientes:

Segmento de etiqueta dinámica (DLS): Muestra la información en texto con desplazamiento proporcionada por la emisora.

Intensidad de señal: Muestra una barra de señales con la fuerza de la emisora actual.

Siglas en inglés de tasa de error binario (BER): Ofrece detalles de la tasa de error binario.

Frecuencia del canal: Muestra el número de canal y la frecuencia de transmisión de la emisora.

Tipo de programa (PTY): Muestra el tipo y la descripción del programa proporcionado por la emisora DAB+.

Hora/Fecha: Muestra la información de hora y fecha proporcionada por la emisora.

Vel bits: La tasa de bits en la cual se transmite la señal.

Información de emisora en modo FM

Cada vez que pulse el botón Info/Menu en el modo FM, la pantalla cambiará según los modos de pantalla siguientes:

Radio texto: Muestra la información en texto con desplazamiento proporcionada por la emisora.

Tipo de programa: Muestra la descripción del programa suministrada por la emisora de radio.

Intensidad de señal: Muestra una barra de señales con la fuerza de la emisora actual.

Hora y fecha: Muestra la información de hora y fecha proporcionada por la emisora.

Frecuencia: Muestra la frecuencia de transmisión de la emisora.

Tipo de audio: Muestra el tipo de audio e la emisora actual (Estéreo o Mono).

Nota: Para cambiar entre mono y estéreo, pulse el botón Enter de forma reiterada.

Resintonizar la radio DAB+/FM

Puede resintonizar las emisoras de la radio para guardar nuevas emisoras o sintonizar una nueva región. Las emisoras presintonizadas permanecerán guardadas cuando realice una resintonización de búsqueda completa. En modo DAB:

Mantenga pulsado el botón Scan para efectuar una búsqueda completa.

El progreso se indicará en la pantalla.

Cuando se complete la sintonización, la radio reproducirá la primera emisora enumerada o volverá a la última emisora reproducida.

Uso de los auriculares

Puede escuchar la radio DAB+/FM usando auriculares; simplemente, conecte la toma de 3.5mm situada en la parte posterior del aparato a la toma de auriculares. Controle el volumen con los botones Vol+ o Vol-.

Preguntas frecuentes

Problema	Solución
No se enciende	Compruebe que el sistema está conectado a una toma de corriente que funcione. Compruebe que el adaptador de alimentación CC está debidamente conectado a la entrada CC de la radio.
No hay sonido	Compruebe que el control de volumen no esté en la configuración mínima.
Mala recepción	Ajuste la ubicación de la antena para una mejor recepción de la señal.
Función perturbada	Si no funciona ninguna de las soluciones anteriores, pruebe a desenchufar su radio.

Especificaciones

Rangos de frecuencia	FM 87,5-108 MHz DAB 174-240 MHz
Conector de salida	Toma de auriculares de 3,5 mm
Antena aérea	Antena telescópica
Adaptador de corriente (Sólo para la UE)	
Fabricante	Shenzhen Adition Audio Science & Technology Co. Ltd
Entrada	100-240 V CA, 50/60 HZ, 0,5 A máx
Salida	CC 5V 2A
Número de modelo	AD1500502000EU-MICROUSB
Utilice únicamente el adaptador de CA original	
Utilice solo la alimentación eléctrica indicada en las instrucciones del usuario	

Información	Valor y precisión
Nombre de los fabricantes o marcas registradas, registro comercial y dirección	Shenzhen Adition Audio Science & Technology Co.
Identificador del modelo	AD1500502000EU-MICROUSB
Tensión de entrada	100-240V
Frecuencia CA de entrada	50/60Hz
Tensión de salida	5,0V
Corriente de salida	2,0A
Potencia de salida	10,0W
Eficiencia activa media	79,85%
Eficiencia a carga baja (10%)	77,78%
Consumo energético sin carga	0,06W

Garantía

Lenco ofrece servicio y garantía en cumplimiento con las leyes de la Unión Europea, lo cual implica que, en caso de que su producto precise ser reparado (tanto durante como después del periodo de garantía), deberá contactar directamente con su distribuidor.

Nota importante: No es posible enviar sus reparaciones directamente a Lenco.

Nota importante: Si la unidad es abierta por un centro de servicio no oficial, la garantía quedará anulada.


Este aparato no es adecuado para el uso profesional. En caso de darle un uso profesional, todas las obligaciones de garantía del fabricante quedarán anuladas.

Exención de responsabilidad

Regularmente se llevan a cabo actualizaciones en el Firmware y en los componentes del hardware. Por esta razón, algunas de las instrucciones, especificaciones e imágenes incluidas en este documento pueden diferir ligeramente respecto a su situación particular. Todos los elementos descritos en esta guía tienen un objetivo de mera ilustración, y pueden no ser de aplicación en su situación particular. No se puede obtener ningún derecho ni derecho legal a partir de la descripción hecha en este manual.

Eliminación del antiguo dispositivo



Este símbolo indica que no deberá deshacerse del producto eléctrico o batería en cuestión junto con los residuos domésticos, en el ámbito de la UE. Para garantizar un tratamiento residual correcto del producto y su batería, por favor, elimínelos cumpliendo con las leyes locales aplicables sobre requisitos para el desecho de  equipos eléctricos y baterías. De hacerlo, ayudará a conservar recursos naturales y mejorar los estándares de protección medioambiental en el tratamiento y eliminación de residuos eléctricos (Directiva sobre la Eliminación de Equipos Eléctricos y Electrónicos).

Marca CE

Por la presente, Lenco Benelux B.V., Thermiekstraat 1a, 6361 HB Nuth, Países Bajos, declara que este producto cumple con las exigencias esenciales de la directiva de la UE. La declaración de conformidad puede consultarse mediante techdoc@commaxxgroup.com



Service (Servicio)

Para obtener más información y soporte del departamento técnico, por favor, visite la página web www.lenco.com

Lenco Benelux BV, Thermiekstraat 1a, 6361 HB Nuth, Países Bajos.