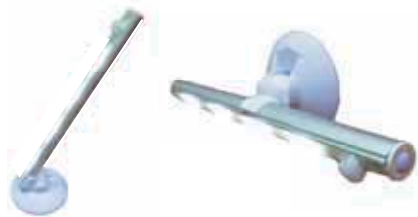


FYSIC[®]



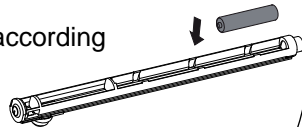
Orientation light
FC-07
(GB)

Batteries

Unscrew the button and push out the light body.



Load the battery according to the poles

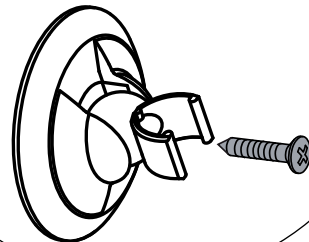


Insert the body to the housing and screw the button tightly



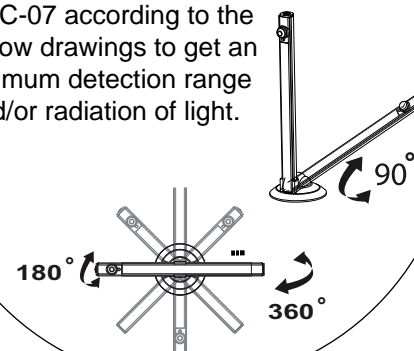
Fix on the wall or furniture

Fix by adhesive pad (enclosed) or screw (not enclosed)



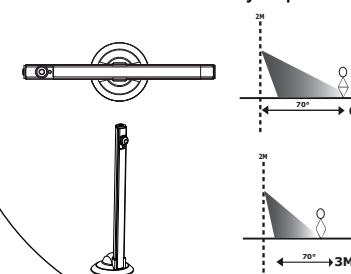
Aiming

You can adjust the FC-07 according to the below drawings to get an optimum detection range and/or radiation of light.



Sensor Range:

Mounted horizontally at a height of 1m: up to 6m.
Mounted vertically: up to 3m.



ON/OFF button

The FC-07 has no ON/OFF indication. Just press the ON/OFF button. If the LED-lamps turn on for about 30 seconds, the FC-07 is switched-on. Press again the ON/OFF button to switch-off the FC-07.



How to use

Press the ON/OFF button to switch-on the FC-07.

The 4 LED-lamps turn on for about 30 seconds, in this period the FC-07 adjusts the PIR sensor and the light-sensor. Now the FC-07 is ready for use.

As soon and as long the FC-07 detects a movement and the environment is dark,

the LED-lamps will turn on.

About 30 seconds after the last movement is detected, the LED-lamps will turn off.

There is no need to switch-off the unit. The built-in light sensor prevents the LED-lamps for turning-on in day time.

Battery check

Press the ON/OFF button to switch-off the FC-07.

Press again to turn on. In case the 4 LED-lamps light brightly and with a constant brightness, the batteries are OK. In case the LED-lamps do not light brightly or do not light at all, the batteries might be empty

Battery lifetime

(provided 3 alkaline batteries of good quality are installed):
>1 year, based on an average 2 times per night lighting for about 30 seconds.



Exhausted batteries may never be disposed of in household waste but must be handed in at your local depot for chemical waste.

CE v1.0