

# Lenco

**Model No: LS-10**



**User Manual – Turntable with built-in speakers**

**Gebruikshandleiding - Platenspeler met ingebouwde luidsprekers**

**Benutzerhandbuch – Turntable mit eingebauten Lautsprechern**

**Mode d'emploi - Tourne-disque avec haut-parleurs intégrés**

**Manual de usuario – Toca discos con altavoces integrados**

**Руководство пользователя – Виниловый проигрыватель со  
встроенными колонками**

**Manuale d'uso - Giradischi con altoparlanti incorporati**

|                  |    |
|------------------|----|
| Index            |    |
| English.....     | 3  |
| Nederlands ..... | 10 |
| Deutsch.....     | 18 |
| Français.....    | 26 |
| Español .....    | 34 |
| Русский.....     | 41 |
| Italiano.....    | 51 |

Version: 4.0

**CAUTION:**

Usage of controls or adjustments or performance of procedures other than those specified herein may result in hazardous radiation exposure.

**PRECAUTIONS BEFORE USE****KEEP THESE INSTRUCTIONS IN MIND:**

1. Do not cover or block any ventilation openings. When placing the device on a shelf, leave 5 cm (2") free space around the whole device.
2. Install in accordance with the supplied user manual.
3. Keep the device away from heat sources such as radiators, heaters, stoves, candles and other heat-generating products or naked flame. The device can only be used in moderate climates. Extremely cold or warm environments should be avoided. Working temperature between 0° and 35°C.
4. Avoid using the device near strong magnetic fields.
5. Electrostatic discharge can disturb normal usage of this device. If so, simply reset and restart the device following the instruction manual. During file transmission, please handle with care and operate in a static-free environment.
6. Warning! Never insert an object into the product through the vents or openings. High voltage flows through the product and inserting an object can cause electric shock and/or short circuit internal parts. For the same reason, do not spill water or liquid on the product.
7. Do not use in wet or moist areas such as bathrooms, steamy kitchens or near swimming pools.
8. The device shall not be exposed to dripping or splashing and make sure that no objects filled with liquids, such as vases, are placed on or near the apparatus.
9. Do not use this device when condensation may occur. When the unit is used in a warm wet room with damp, water droplets or condensation may occur inside the unit and the unit may not function properly; let the unit stand in power OFF for 1 or 2 hours before turning on the power: the unit should be dry before getting any power.
10. Although this device is manufactured with the utmost care and checked several times before leaving the factory, it is still possible that problems may occur, as with all electrical appliances. If you notice smoke, an excessive build-up of heat or any other unexpected phenomena, you should disconnect the plug from the main power socket immediately.
11. This device must operate on a power source as specified on the specification label. If you are not sure of the type of power supply used in your home, consult your dealer or local power company.
12. Keep away from animals. Some animals enjoy biting on power cords.
13. To clean the device, use a soft dry cloth. Do not use solvents or petrol based fluids. To remove severe stains, you may use a damp cloth with dilute detergent.
14. The supplier is not responsible for damage or lost data caused by malfunction, misuse, modification of the device or battery replacement.
15. Do not interrupt the connection when the device is formatting or transferring files. Otherwise, data may be corrupted or lost.
16. If the unit has USB playback function, the USB memory stick should be plugged into the unit directly. Don't use an USB extension cable because it can cause interference resulting in failing of data.
17. The rating label has been marked on the bottom or back panel of the device.
18. This device is not intended for use by people (including children) with physical, sensory or mental disabilities, or a lack of experience and knowledge, unless they're under supervision or have received instructions about the correct use of the device by the person who is responsible for their safety.
19. This product is intended for non professional use only and not for commercial or industrial use.
20. Make sure the unit is adjusted to a stable position. Damage caused by using this product in an unstable position vibrations or shocks or by failure to follow any other warning or precaution contained within this user manual will not be covered by warranty.
21. Never remove the casing of this device.
22. Never place this device on other electrical equipment.
23. Do not allow children access to plastic bags.
24. Only use attachments/accessories specified by the manufacturer.
25. Refer all servicing to qualified service personnel. Servicing is required when the device has been damaged in any way, such as the power supply cord or the plug, when liquid has been spilled or objects have fallen into the device, when the device has been exposed to rain or moisture, does not operate normally, or has been dropped.

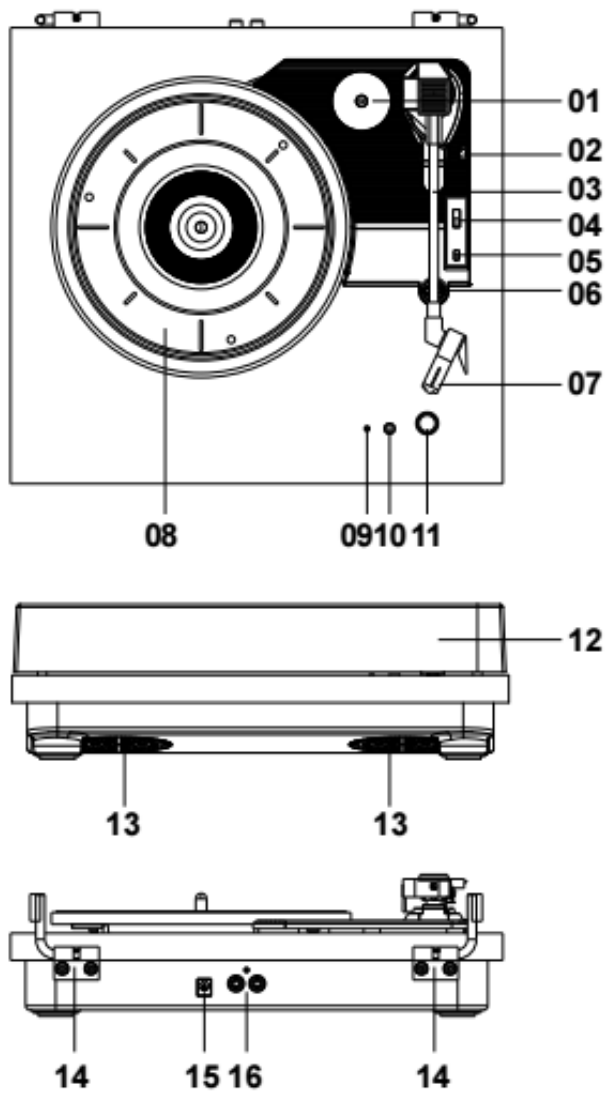
26. Long exposure to loud sounds from personal music players may lead to temporary or permanent hearing loss.
27. If the product is delivered with power cable or AC power adaptor:
- If any trouble occur, disconnect the AC power cord and refer servicing to qualified personnel.
  - Don't step on or pinch the power adaptor. Be very careful, particularly near the plugs and the cable's exit point. Do not place heavy items on the power adaptor, which may damage it. Keep the entire device out of children's reach! When playing with the power cable, they can seriously injure themselves.
  - Unplug this device during lightning storms or when unused for a long period.
  - The socket outlet must be installed near the equipment and must be easily accessible.
  - Do not overload ac outlets or extension cords. Overloading can cause fire or electric shock.
  - Devices with class 1 construction should be connected to a main socket outlet with a protective earthed connection.
  - Devices with class 2 construction do not require a earthed connection.
  - Always hold the plug when pulling it out of the main supply socket. Do not pull the power cord. This can cause a short circuit.
  - Do not use a damaged power cord or plug or a loose outlet. Doing so may result in fire or electric shock.
28. If the product contains or is delivered with a remote control containing coin/cell batteries:  
Warning:
- "Do not ingest battery, Chemical Burn Hazard" or equivalent working.
  - [The remote control supplied with] This product contains a coin/button cell battery. If the battery is swallowed, it can cause severe internal burns in just 2 hours and can lead to death.
  - Keep new and used batteries away from children.
  - If the battery compartment does not close securely, stop using the product and keep it away from children.
  - If you think batteries might have been swallowed or placed inside any part of the body, seek immediate medical attention.
29. Caution about the use of Batteries:
- Danger of explosion if battery is incorrectly replaced. Replace only with the same or equivalent type.
  - Battery cannot be subjected to high or low extreme temperatures, low air pressure at high altitude during use, storage or transportation.
  - Replacement of a battery with an incorrect type that can result in an explosion or the leakage of flammable liquid or gas.
  - Disposal of a battery into fire or a hot oven, or mechanically crushing or cutting of a battery, that can result in an explosion.
  - Leaving a battery in an extremely high temperature surrounding environment that can result in an explosion or that leakage of flammable liquid or gas.
  - A battery subjected to extremely low air pressure that may result in an explosion or the leakage of flammable liquid or gas.
  - Attention should be drawn to the environmental aspects of battery disposal.

#### **INSTALLATION**

- Unpack all parts and remove protective material.
- Do not connect the unit to the mains before checking the mains voltage and before all other connections have been made.

**\*Those instruction are related only to products using power cable or AC power adaptor.**

**1. TURNTABLE PARTS:**



1. 45RPM Adaptor
2. Lift Lever
3. Turntable Arm
4. Speed Selection Switch
5. Auto Stop Control Switch
6. Turntable Arm Lock
7. Phono Stylus Cartridge
8. Turntable Platter
9. Power On/Off Led Light Indicator
10. 3.5mm Earphone Jack
11. Power On/Off and Volume Control Switch
12. Removable Dust Cover
13. Speakers
14. Hinge
15. Power Adaptor Jack
16. RCA Output Jack

## 2. Listen to a Record

1. Raise the dust cover
2. Turn the Power On/Off/volume control switch clockwise to turn on the unit.
3. Place a record on the turntable platter and set the player speed to match the record speed.  
**Note:** When playing a single (a 45 rpm record) and/or records with large centre holes, use the 45 rpm adaptor.
4. Remove the needle cartridge protective cover and unlock the tone arm lock from the tone arm rest.
5. Push the lift lever backward, the tone arm will gently rise up.
6. Gently move the tone arm to the desired position on the record. If the auto stop function is on, the turntable platter will start to rotate.
7. Release the tone arm onto the turntable by pushing the lift lever forward, the tone arm will move towards the record and the music will start to play.

If the auto stop control switch is turned ON, the record will stop automatically when finished. If auto stop control switch is turned OFF, the record will NOT stop automatically when finished; you then must push the lift lever backward to raise the tone arm and place it back in the rest. Then turn off the power to stop the turntable from spinning.

**Please note:** The auto stop function applies to most 33RPM vinyl records. However, for very few vinyl records, it will stop before it reaches the end or it will not stop when it has come to the end of the record.

## 3. RCA connection

Connect the RCA Output Jack to the external speaker system (Line in) with the RCA cable (not provided) to enjoy vinyl records music on your speaker system.

## 4. Headphone Socket

On the function panel you'll find a headphone socket.

Here you can plug in your headphone with 3,5mm jack. When the headphone is connected the built-in speaker will be switched off.

## 5. HOW TO REPLACE THE NEEDLE

To replace the needle, please refer to the instructions below.

Removing the needle from the cartridge

1. Place a screwdriver at the tip of the needle headshell and push downwards in the direction shown in sketch "A"
2. Remove the needle headshell by pulling it forwards and pushing downwards.

### Inserting the needle

1. Hold the tip of the needle headshell and insert it by pressing in the direction illustrated by "B".



2. Push the needle headshell upwards in the direction illustrated by "C" until the needle locks into the tip position.

|                            |                                     |
|----------------------------|-------------------------------------|
| Lenco                      |                                     |
| Turntable                  | LS-10                               |
| Type                       | Belt drive full manual              |
| Drive Motor                | DC motor                            |
| Speed                      | 33 1/3 rpm, 45 rpm                  |
| Wow and flutter            | <0.35%                              |
| Turntable platter          | 200mm                               |
| Cartridge                  |                                     |
| Type                       | N-10/Ceramic Cartridge 402-M208-015 |
| Stylus                     | 0.7 mil                             |
| Optimum Tracking force     | 4-6 grams                           |
| Output                     | 160-380mV(HP-4005)                  |
| Frequency response         | -28db(10KHz)                        |
| Crosstalk                  | 10db(1KHz)                          |
| Signal-to-noise ratio(S/N) | 40db                                |
| General                    |                                     |
| ADAPTOR                    | input AC100-240V~50/60Hz            |
|                            | output DC5V1000mA                   |
| PRODUCT                    | DC5v1000mA                          |
| Audio Output (Line Out)    | 200-500mv                           |
| Power Consumption          | 6W                                  |
| Dimension                  | 327x315x102mm                       |
| Weight                     | approx.2.2KGS LS-10WD               |
| Weight                     | approx.2.2KGS LS-10BK               |

### **Power supply adaptor**

**Manufacturer: Shenzhen RiHuiDa Power Supply Co., Ltd.**

**Model number: RHD10W050100F**

**Use only the power supply listed in the user instructions**

| Information   | Value and and precision  |
|---|--|
| Manufacturers name or trade mark, commercial registration and address | <b>Brightpower Optoelectronic Tehnology Co., Ltd.</b><br>Yinyong Industrial Zone, Junma Road, Shiyong Village, Hengli Town, Dongguan City, Guangdong Province, China |
| Model Identifier  | <b>SW0501000-FM</b>  |
| Input voltage   | 100-240 V  |
| Input AC frequency  | 50-60Hz  |
| Output voltage  | 5V   |
| Output current  | 1A   |
| Output Power  | 6W   |
| Average active efficiency   | 75.83%   |
| Efficiency at low load (10%)  | 69.05%   |
| No load Power consumption   | 0.055W   |



## Guarantee

Lenco offers service and warranty in accordance to European law, which means that in case of repairs (both during and after the warranty period) you should contact your local dealer.

Important note: It is not possible to send products that need repairs to Lenco directly.

Important note: If this unit is opened or accessed by a non-official service center in any way, the warranty expires.

This device is not suitable for professional use. In case of professional use, all warranty obligations of the manufacturer will be voided.

## Disclaimer

Updates to Firmware and/or hardware components are made regularly. Therefore some of the instruction, specifications and pictures in this documentation may differ slightly from your particular situation. All items described in this guide for illustration purposes only and may not apply to particular situation. No legal right or entitlements may be obtained from the description made in this manual.

## Disposal of the Old Device



This symbol indicates that the relevant electrical product or battery should not be disposed of as general household waste in Europe. To ensure the correct waste treatment of the product and battery, please dispose them in accordance to any applicable local laws of requirement for disposal of electrical equipment or batteries. In so doing, you will help to conserve natural resources and improve standards of environmental protection in treatment and disposal of electrical waste (Waste Electrical and Electronic Equipment Directive).

## CE Marking



Products with the CE marking comply with the EMC Directive (2014/30/EU) and the Low Voltage Directive (2014/35/EU) issued by the Commission of the European Community.

Hereby, Lenco Benelux BV, Thermiekstraat 1a, 6361 HB Nuth, The Netherlands, declares that this product is in compliance with the essential requirements.

The declaration of conformity may be consulted at [techdoc@lenco.com](mailto:techdoc@lenco.com)

## Service

For more information and helpdesk support, please visit [www.lenco.com](http://www.lenco.com)

Lenco Benelux BV, Thermiekstraat 1a, 6361 HB Nuth, The Netherlands.

**LET OP:**

Het gebruik van afstandsbedieningen of aanpassingen of de uitvoering van procedures die niet in dit document zijn gespecificeerd, kan leiden tot gevaarlijke blootstelling aan straling.

**VOORZORGSMAATREGELEN VOOR GEBRUIK****ONTHOUD DE VOLGENDE INSTRUCTIES:**

1. Bedek of blokkeer de ventilatieopeningen niet. Wanneer u het apparaat op een schap plaatst, dient u 5 cm (2") vrije ruimte rondom het gehele apparaat te behouden.
2. Installeer het product volgens de meegeleverde gebruikershandleiding.
3. Houd het apparaat uit de buurt van hittebronnen, zoals radiatoren, verwarmingen, kachels, kaarsen en andere hittegenererende producten of open vuur. Het apparaat kan alleen worden gebruikt in een gematigd klimaat. Extreem koude of warme omgevingen dienen te worden vermeden. Het bedrijfstemperatuurbereik ligt tussen 0 °C en 35 °C.
4. Gebruik dit apparaat niet in de buurt van krachtige magnetische velden.
5. Elektrostatische ontlading kan normaal gebruik van dit apparaat verstoren. U hoeft het apparaat in dit geval slechts te resetten en opnieuw op te starten volgens de gebruikershandleiding. Wees voorzichtig tijdens bestandsoverdracht en gebruik het product in een omgeving zonder statische interferentie.
6. Waarschuwing! Steek nooit een voorwerp via de ventilatie- of andere openingen in het product. Er is hoogspanning in het product aanwezig en als u er een object insteekt, kan dat een elektrische schok veroorzaken en/of kortsluiting in de interne onderdelen. Mors om dezelfde reden geen water of vloeistof op het product.
7. Gebruik het toestel niet in vochtige ruimtes, zoals badkamers, stomende keukens of in de buurt van zwembaden.
8. Het apparaat mag niet worden blootgesteld aan druppels en spetters en zorg ervoor dat er geen met vloeistof gevulde voorwerpen, zoals vazen, op of in de buurt van het apparaat worden geplaatst.
9. Gebruik dit apparaat niet wanneer condensatie kan optreden. Wanneer het apparaat in een warme, natte ruimte wordt gebruikt, kunnen zich waterdruppels of condens vormen in het apparaat en kan het apparaat niet goed functioneren. Laat het apparaat 1 of 2 uur uit staan voordat u het inschakelt: het apparaat dient droog te zijn voordat deze stroom ontvangt.
10. Alhoewel dit apparaat met grote zorg gefabriceerd en verschillende keren geïnspecteerd is voordat het de fabriek verlaat, is het nog steeds mogelijk dat er problemen optreden, zoals met alle elektrische apparaten. Als u rook, een overmatige hitteontwikkeling of enig ander onverwacht verschijnsel opmerkt, moet u onmiddellijk de stekker van het netsnoer uit het stopcontact halen.
11. Dit apparaat moet worden gebruikt met een voedingsbron zoals gespecificeerd op het specificatielabel. Als u twijfelt over het type voeding dat gebruikt wordt in uw huis, raadpleeg dan uw dealer of plaatselijk energiebedrijf.
12. Buiten bereik van dieren houden. Sommige dieren kauwen graag op voedingskabels.
13. Gebruik een zacht, droog doekje om het apparaat te reinigen. Gebruik geen oplosmiddelen of op benzine gebaseerde vloeistoffen. U kunt een vochtig doekje met verdund schoonmaakmiddel gebruiken om hardnekkige vlekken te verwijderen.
14. De leverancier is niet verantwoordelijk voor schade of verloren gegevens veroorzaakt door storing, misbruik, modificatie van het apparaat of batterijvervanging.
15. Onderbreek nooit de verbinding wanneer het apparaat formatteert of bestanden overdraagt. De gegevens kunnen anders corrupt of verloren raken.
16. Indien het apparaat een USB-afspeelfunctie heeft, moet de USB-geheugenstick rechtstreeks op het apparaat worden aangesloten. Gebruik geen USB-verlengkabel, omdat die kan leiden tot storingen met foutieve gegevens als gevolg.
17. Het classificatielabel bevindt zich op de onderkant of het achterpaneel van het apparaat.
18. Dit hulpmiddel is niet bedoeld voor gebruik door mensen (inclusief kinderen) met een fysieke, zintuiglijke of mentale handicap, of een gebrek aan ervaring en kennis, tenzij zij toezicht of instructies hebben gekregen over het juiste gebruik van het hulpmiddel door een persoon die verantwoordelijk is voor hun veiligheid.
19. Dit product is alleen voor niet-professioneel gebruik bedoeld en niet voor commercieel of industrieel gebruik.
20. Verzeker u ervan dat het apparaat in een stabiele positie staat opgesteld. Schade die wordt veroorzaakt door het gebruik van dit product in een onstabiele positie, trillingen of schokken of het niet opvolgen van de waarschuwingen of voorzorgsmaatregelen in deze gebruikershandleiding wordt niet gedekt door de garantie.
21. Verwijder nooit de behuizing van dit apparaat.

22. Plaats dit apparaat nooit op andere elektrische apparatuur.
23. Geef kinderen geen gelegenheid in aanraking met plastic zakken te komen.
24. Gebruik uitsluitend uitbreidingen/accessoires gespecificeerd door de fabrikant.
25. Laat alle reparaties over aan gekwalificeerd onderhoudspersoneel. Onderhoud is nodig als het apparaat is beschadigd, bijvoorbeeld als de voedingskabel of de stekker is beschadigd, als er vloeistof op het apparaat is gemorst, als er voorwerpen in het apparaat zijn gevallen, als het apparaat is blootgesteld aan regen of vocht, als het apparaat niet normaal werkt of als het is gevallen.
26. Langdurige blootstelling aan harde geluiden van persoonlijke muzikspelers kan leiden tot tijdelijk of permanent gehoorverlies.
27. Als het product wordt geleverd met voedingskabel of wisselstroomvoedingsadapter:
  - Als er zich problemen voordoen, moet u de voedingskabel loskoppelen en het ter onderhoud aanbieden aan gekwalificeerd personeel.
  - Nooit op de voedingsadapter stappen of deze indrukken. Wees zeer voorzichtig, vooral in het gebied rond de stekkers en de kabelaansluitingen. Plaats geen zware voorwerpen op de voedingsadapter, om beschadiging ervan te voorkomen. Houd het gehele apparaat buiten bereik van kinderen! Wanneer kinderen met de voedingskabel spelen, kunnen zij ernstig letsel oplopen.
  - Haal de stekker uit het stopcontact tijdens onweer of wanneer u deze langere tijd niet gebruikt.
  - Het stopcontact moet in de buurt van de apparatuur zijn geïnstalleerd en eenvoudig te bereiken zijn.
  - Laat AC-stopcontacten of verlengsnoeren nooit overbelast raken. Overbelasting kan brand of een elektrische schok veroorzaken.
  - Apparaten met een Klasse 1 structuur dienen te worden aangesloten op een stopcontact met een beschermende aardverbinding.
  - Apparaten met een Klasse 2 structuur vereisen geen aardverbinding.
  - Houd altijd de stekker vast wanneer u deze uit het stopcontact trekt. Trek nooit aan de voedingskabel. Dit kan tot een kortsluiting leiden.
  - Gebruik nooit een beschadigde voedingskabel of stekker of een los stopcontact. Dit vormt namelijk een risico op brand of elektrische schokken.
28. Indien het product knoopcelbatterijen bevat of wordt geleverd met een afstandsbediening die knoopcelbatterijen bevat:
 

Waarschuwing:

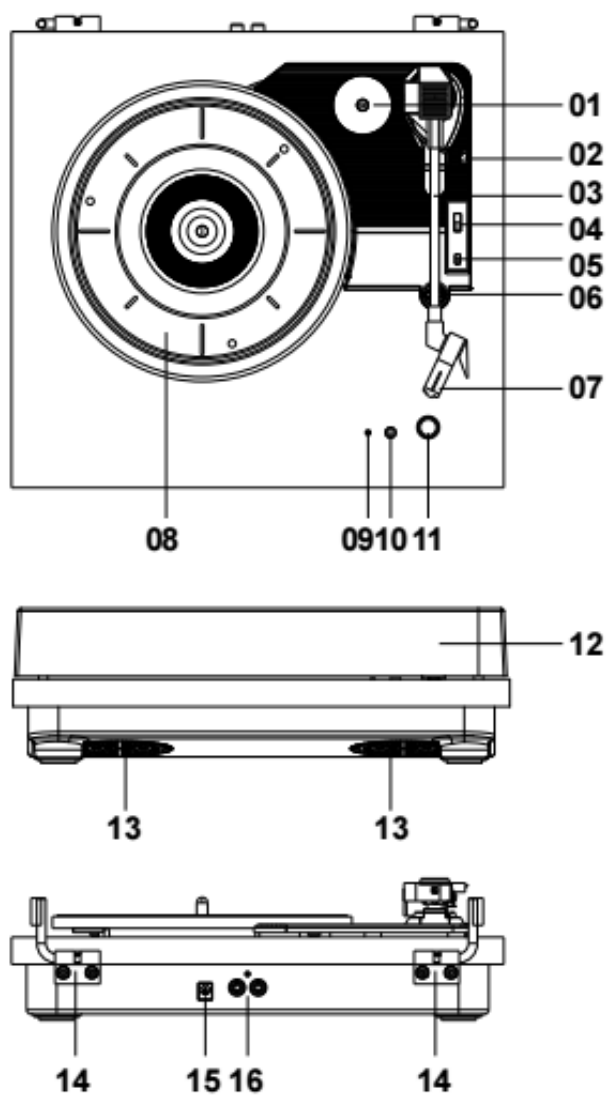
  - “Batterij niet inslikken, chemisch brandgevaar” of gelijkwaardige werking.
  - De meegeleverde afstandsbediening bevat een knoopcelbatterij. Als de batterij wordt ingeslikt, kan deze in slechts 2 uur ernstige interne brandwonden veroorzaken en tot de dood leiden.
  - Houd nieuwe en gebruikte batterijen buiten bereik van kinderen.
  - Als de batterijhouder niet goed kan worden gesloten, dient u het product niet meer te gebruiken en buiten bereik van kinderen te houden.
  - Als u denkt dat batterijen zijn ingeslikt of binnenin een willekeurig lichaamsdeel terecht zijn gekomen, dient u onmiddellijk medische hulp te zoeken.
29. Waarschuwing m.b.t. het gebruik van batterijen:
  - Als de batterij onjuist wordt geplaatst, bestaat er explosiegevaar. Vervang de batterij alleen door een zelfde of vergelijkbare soort batterij.
  - Stel de batterij niet bloot aan extreem hoge of lage temperaturen of een lage luchtdruk op grote hoogte tijdens gebruik, opslag of transport.
  - Vervanging van een batterij door een incorrect type kan leiden tot een ontploffing of de lekkage van ontvlambare vloeistoffen of gas.
  - Het weggooien van een batterij in het vuur of een hete oven, of het mechanisch verpletteren of insnijden van een batterij, kan leiden tot een explosie.
  - Het achterlaten van een batterij in een omgeving met extreem hoge temperaturen kan leiden tot een explosie of het lekken van brandbare vloeistof of gas.
  - Een batterij die aan een extreem lage luchtdruk wordt blootgesteld, kan leiden tot een explosie of het lekken van brandbare vloeistof of gas.
  - Aandacht voor het milieu is nodig bij het verwijderen van de batterijen.

## INSTALLATIE

- Pak alle onderdelen uit en verwijder de beschermende materialen.
- Sluit het apparaat niet aan op het stopcontact, voordat u de netspanning hebt gecontroleerd en voordat alle andere aansluitingen zijn gemaakt.

**\*deze instructies zijn enkel van toepassing voor producten met een voedingskabel of een AC voedingsadapter.**

## 1. ONDERDELEN VAN DE PLATENSPELER:



1. 45RPM Adapter
2. Hendel
3. Toonarm
4. Snelheidskeuzeschakelaar
5. Aan/uitschakelaar automatisch stoppen
6. Toonarmvergrendeling
7. Naaldelement
8. Draaitafelplateau
9. LED-lichtindicator Aan/Uit
10. 3,5mm hoofdtelefoonuitgang
11. Aan/uit/volumeregeling
12. Verwijderbare stofkap
13. Luidsprekers
14. Scharnier
15. Voedingsaansluiting
16. RCA-uitgang

## 2. Naar een plaat luisteren

1. Open de stofkap
2. Draai de Aan/Uit/Volumeregeling rechtsom om het apparaat in te schakelen.
3. Leg een plaat op de draaitafel en stel de snelheid in overeenkomstig de snelheid die op de plaat staat aangegeven.  
**Opmerking:** Bij het afspelen van een single (een 45-toerenplaat) en/of platen met een groot gat in het midden, gebruikt u de 45-toerenadapter.
4. Verwijder de beschermkap van het naaldelement en ontgrendel de toonarmvergrendeling.
5. Duw de hendel naar achteren en de toonarm komt langzaam omhoog.
6. Beweeg de toonarm voorzichtig naar de gewenste positie op de plaat. Als de automatische stopfunctie is ingeschakeld, dan zal het draaiplateau beginnen te draaien.
7. Laat de toonarm op de plaat zakken door de toonarmhendel vooruit te drukken; de toonarm zal richting de plaat bewegen en de muziek zal beginnen te spelen.

Als het automatisch stoppen AAN staat, zal de plaat aan het eind automatisch stoppen. Als de automatische stopschakelaar UIT is geschakeld, dan zal de plaat NIET automatisch stoppen wanneer het einde is bereikt; u dient de toonarmhendel vervolgens naar achteren te drukken om de toonarm op te heffen en weer op de steun te leggen. Schakel de platenspeler vervolgens uit om deze te laten stoppen met draaien.

**Opmerking:** De automatische stopfunctie kan worden gebruikt voor de meeste 33-toeren platen. Sommige platen kunnen in zeldzame gevallen echter stoppen voordat het einde is bereikt of zullen helemaal niet stoppen wanneer het einde van de plaat is bereikt.

## 3. RCA-aansluiting

Sluit de RCA-uitgang aan op het externe luidsprekersysteem (Lijningang) met een RCA-kabel (niet inbegrepen) om van uw platen te genieten via uw luidsprekersysteem.

## 4. Hoofdtelefoonuitgang

Het functiepaneel is voorzien van een hoofdtelefoonuitgang.

U kunt hier uw hoofdtelefoon met 3,5mm stekker aansluiten. Wanneer de hoofdtelefoon is aangesloten, dan is de ingebouwde luidspreker uitgeschakeld.

## 5. HET VERVANGEN VAN DE NAALD

Om de naald te vervangen, verwijzen wij u naar de onderstaande instructies.

Het verwijderen van de naald uit het element

1. Plaats een schroevendraaier op het uiteinde de naaldhouder, druk deze naar beneden, overeenkomstig schets "A"
2. Verwijder de naald door hem naar voren te trekken en naar beneden te duwen.

### Het plaatsen van de naald

1. Houd het uiteinde van de naaldhouder vast en plaats deze door in de richting overeenkomstig schets "B" te drukken.



| EN                  | NL                     |
|---------------------|------------------------|
| Guide Pins (inside) | Geleidepennen (binnen) |

2. Duw de naaldhouder omhoog, geïllustreerd in "C", totdat de naald in de juiste positie is vergrendeld.

|                              |   |
|------------------------------|---|
| Lenco                        |   |
| Draaiplateau                 | LS-10   |
| Type                         | Riemaandrijving, volledig handmatig             |
| Aandrijfmotor                | Gelijkstroommotor                               |
| Snelheid                     | 33 1/3 toeren, 45 toeren                        |
| Geluidsvervorming            | <0,35%  |
| Draaitafelplateau            | 200 mm  |
| Cartridge                    |   |
| Type                         | N-10/Keramische cartridge 402-M208-015          |
| Naald                        | 0,7 mil   |
| Optimale naalddruk           | 4 tot 6 g                                       |
| Uitgang                      | 160-380 mV (HP-4005)                            |
| Frequentiebereik             | -28 db (10 KHz)                                 |
| Overspraak                   | 10 db (1 KHz)                                   |
| Signaal-ruisverhouding (S/N) | 40 dB   |
| Algemeen                     |   |
| ADAPTER                      | ingang AC100-240V~50/60Hz<br>uitgang DC5V1000mA |
| PRODUCT                      | DC5v1000mA                                      |
| Audio-uitgang (Lijnuitgang)  | 200-500 mv                                      |
| Stroomverbruik               | 6W  |
| Afmetingen                   | 327x315x102mm                                   |
| Gewicht                      | ca. 2,2KG LS-10WD                               |
| Gewicht                      | ca. 2,2KG LS-10BK                               |

### Voedingsadapter

**Fabrikant: Shenzhen RiHuiDa Power Supply Co., Ltd.**

**Modelnummer: RHD10W050100F**

**Gebruik uitsluitend de lichtnetdapter die in de gebruiksaanwijzing wordt vermeld**

| Informatie  | Waarde en precisie   |
|---|--|
| Naam of handelsmerk van de fabrikant, handelsregistratie en adres | <b>Brightpower Optoelectronic Tehnology Co., Ltd.</b><br>Yinyong Industrial Zone, Junma Road, Shiyong Village, Hengli Town, Dongguan City, Guangdong Province, China |
| Modelaanduiding   | <b>SW0501000-FM</b>  |
| Ingangsspanning   | 100-240 V  |
| Ingangsfrequentie AC  | 50-60Hz  |
| Uitgangsspanning  | 5V   |
| Uitgangsstroom  | 1A   |
| Uitgang   | 6W   |
| Gemiddelde actieve efficiëntie                                    | 75.83%   |
| Efficiëntie bij lage belasting (10%)                              | 69.05%   |
| Verbruik onbelast vermogen  | 0.055W   |



## Garantie

Lenco biedt service en garantie aan overeenkomstig met de Europese wetgeving. Dit houdt in dat u, in het geval van reparaties (zowel tijdens als na de garantieperiode), uw lokale handelaar moet contacteren.

Belangrijke opmerking: Het is niet mogelijk om producten die moeten worden gerepareerd rechtstreeks naar Lenco te sturen.

Belangrijke opmerking: De garantie verloopt als een onofficieel servicecenter het apparaat op wat voor manier dan ook heeft geopend, of er toegang toe heeft gekregen.

Het apparaat is niet geschikt voor professioneel gebruik. In het geval van professioneel gebruik worden alle garantieverplichtingen van de fabrikant nietig verklaard.

## Disclaimer

Er worden regelmatig updates in de firmware en/of hardwarecomponenten gemaakt. Daardoor kunnen gedeelten van de instructie, de specificaties en afbeeldingen in deze documentatie enigszins verschillen van uw eigen situatie. Alle onderwerpen die staan beschreven in deze handleiding zijn bedoeld als illustratie en zijn niet van toepassing op specifieke situaties. Aan de beschrijving in dit document kunnen geen rechten worden ontleend.

## Afvoer van het oude apparaat



Dit symbool geeft aan dat het betreffende elektrische product of de accu/batterij niet mag worden verwijderd als algemeen huishoudelijk afval in Europa. Zorg voor een juiste afvalverwerking door het product en de accu/batterij in overeenstemming met alle van toepassing zijnde lokale wetten voor het verwijderen van elektrische apparatuur of accu's/batterijen te verwijderen. Als u dit doet, helpt u de natuurlijke hulpbronnen te behouden en de standaard van milieubescherming te verbeteren bij de behandeling en verwijdering van elektrisch afval (Afgedankte Elektrische en Elektronische Apparatuur).

## CE-markering



Producten met een CE keurmerk houden zich aan de EMC richtlijn (2014/30/EC) en de Richtlijn voor Lage Voltage (2014/35/EC) uitgegeven door de Europese Commissie.

Hierbij verklaart Lenco Benelux BV, Thermiekstraat 1a, 6361 HB Nuth, Nederland, dat dit product voldoet aan de essentiële eisen.

De conformiteitsverklaring kan worden geraadpleegd op [techdoc@lenco.com](mailto:techdoc@lenco.com)

## Service

Bezoek voor meer informatie en helpdeskondersteuning [www.lenco.com](http://www.lenco.com)

Lenco Benelux BV, Thermiekstraat 1a, 6361 HB Nuth, Nederland.

**ACHTUNG:**

Eine andere als die hier beschriebene Bedienung, Einstellung oder Verwendung der Funktionen kann zu gefährlicher Strahlenbelastung führen.

**VORSICHTSMASSNAHMEN VOR DER BENUTZUNG****BEFOLGEN SIE IMMER FOLGENDE ANWEISUNGEN:**

1. Blockieren oder bedecken Sie keine Lüftungsöffnungen. Wenn Sie das Gerät auf ein Regal stellen, lassen Sie um das gesamte Gerät 5 cm (2") freien Platz.
2. Stellen Sie das Gerät entsprechend den Anweisungen der mitgelieferten Bedienungsanleitung auf.
3. Halten Sie das Gerät von Hitzequellen wie Radiatoren, Heizern, Öfen, Kerzen oder anderen hitzeerzeugenden Produkten oder offenen Flammen fern. Das Gerät darf nur bei gemäßigttem Klima verwendet werden. Sehr kalte oder heiße Umgebungen sind zu vermeiden. Der Betriebstemperaturbereich liegt zwischen 0 °C und 35 °C.
4. Meiden Sie bei der Nutzung des Produkts die Nähe starker Magnetfelder.
5. Elektrostatische Entladungen können die normale Verwendung von diesem Gerät stören. Sollte dies geschehen, führen Sie einfach einen Reset aus und starten Sie dann das Gerät entsprechend den Anweisungen dieser Bedienungsanleitung neu. Gehen Sie besonders bei Datenübertragungen mit dem Gerät vorsichtig um und führen Sie diese nur in einer antielektrischen Umgebung aus.
6. Warnung! Niemals Gegenstände durch die Lüftungsschlitze oder Öffnungen in das Gerät stecken. In diesem Gerät fließt Hochspannung und das Hineinstecken von Gegenständen kann zu elektrischem Schock und/oder Kurzschluss interner elektrischer Bauteile führen. Aus dem gleichen Grund kein Wasser oder Flüssigkeiten in das Gerät geben.
7. Benutzen Sie das Gerät nicht in nasser oder feuchter Umgebung wie Bad, Dampfküche oder in der Nähe von Schwimmbecken.
8. Das Gerät darf weder Tropf- noch Spritzwasser ausgesetzt werden und es dürfen keine mit Flüssigkeit gefüllten Behälter wie z.B. Vasen auf das Gerät oder in der Nähe des Gerätes gestellt werden.
9. Benutzen Sie das Gerät nicht bei Kondensationsgefahr. Wenn Sie das Gerät in einem warmen feuchten Raum benutzen, dann können sich im Inneren des Geräts Wassertropfen oder Kondensationen bilden und zu Fehlfunktionen des Geräts führen. Schalten Sie in diesem Fall das Gerät für 1 – 2 Stunden aus, bevor Sie es erneut einschalten: Das Gerät sollte vollständig getrocknet sein, wenn Sie es wieder einschalten.
10. Obwohl dieses Gerät unter größter Sorgfalt und vor Auslieferung mehrmals überprüft wurde, können trotzdem wie bei jedem anderen elektrischen Gerät auch Probleme auftauchen. Trennen Sie das Gerät im Falle einer Rauchentwicklung, starker Hitzeentwicklung oder jeden anderen unnatürlichen Erscheinung sofort vom Netz.
11. Dieses Gerät ist durch eine Stromquelle wie auf dem Typenschild angegeben zu betreiben. Halten Sie bei Unsicherheiten über die Art Ihrer Stromversorgung in Ihrer Wohnung Rücksprache mit Ihrem Händler oder Ihrer Stromzuliefererfirma.
12. Halten Sie es von Haustieren fern. Einige Nagetiere lieben es, an Netzkabeln zu nagen.
13. Benutzen Sie für die Reinigung ein weiches und trockenes Tuch. Benutzen Sie niemals Lösungsmittel oder Flüssigkeiten auf Ölbasis. Benutzen Sie zum Entfernen hartnäckiger Flecken ein feuchtes Tuch mit mildem Reinigungsmittel.
14. Der Hersteller haftet nicht für Schäden oder Verluste durch Fehlfunktion, Zweckentfremdung oder Modifikation des Geräts oder durch Wechseln der Batterien.
15. Unterbrechen Sie die Verbindung nicht während einer Formatierung oder einer Datenübertragung. Bei Unterbrechung drohen Datenverlust und Datenbeschädigung.
16. Wenn das Gerät eine USB-Wiedergabefunktion besitzt, dann stecken Sie den USB-Stick direkt in das Gerät. Verwenden Sie kein USB-Verlängerungskabel, weil die erhöhte Störungsanfälligkeit zu Datenverlust führen könnte.
17. Das Typenschild befindet sich an der Unter- oder Rückseite des Geräts.
18. Dieses Gerät ist nicht zur Benutzung durch Personen (einschließlich Kinder) mit physischen, sensorischen oder mentalen Beeinträchtigungen oder ohne ausreichender Erfahrung vorgesehen, es sei denn, sie werden durch eine verantwortliche Person beaufsichtigt oder wurden in die ordnungsgemäße Bedienung des Gerätes durch eine für ihre Sicherheit verantwortliche Person eingewiesen.
19. Dieses Produkt ist nur für den nicht-professionellen Gebrauch und nicht für gewerbliche oder industrielle Zwecke bestimmt.
20. Stellen Sie sicher, dass das Gerät in einer stabilen Position aufgestellt ist. Schäden aufgrund Verwendung dieses Produkts in einer instabilen Position, Vibrationen, Stöße oder Nichtbeachtung der anderen in dieser

Bedienungsanleitung enthaltenen Warnungen und Sicherheitshinweise werden nicht durch die Garantie abgedeckt.

21. Entfernen Sie niemals das Gehäuse dieses Produkts.
22. Stellen Sie das Produkt niemals auf andere elektrische Geräte.
23. Halten Sie Kinder von den Plastiktüten fern.
24. Benutzen Sie nur vom Hersteller spezifizierte Erweiterungen/Zubehörteile.
25. Lassen Sie alle Eingriffe von qualifiziertem Servicepersonal ausführen. Eingriffe werden notwendig, wenn das Gerät auf irgendeine Weise wie beispielsweise am Netzkabel oder am Netzstecker beschädigt wurde, Flüssigkeit in das Gerät eingedrungen ist, Gegenstände in das Gerät gefallen sind, das Gerät Regen oder Feuchtigkeit ausgesetzt war, es heruntergefallen ist oder nicht ordnungsgemäß funktioniert.
26. Langes Hören lauter Töne aus einem Musikgerät kann zum zeitweiligen oder permanenten Hörverlust führen.
27. Wenn zum Lieferumfang des Produkts ein Netzkabel oder ein Netzadapter gehört:
  - Wenn irgendwelche Probleme auftreten, dann ziehen Sie den Netzstecker aus der Netzsteckdose und setzen Sie sich anschließend mit einer qualifizierten Fachkraft in Verbindung.
  - Treten Sie nicht auf das Netzteil und klemmen Sie es auch nicht ein. Geben Sie besonders im näheren Bereich des Steckers und der Stelle acht, wo das Kabel aus dem Gerät herausgeführt wird. Stellen Sie keine schweren Gegenstände auf das Netzteil, weil es dadurch beschädigt werden könnte. Halten Sie das gesamte Gerät außerhalb der Reichweite von Kindern! Durch Spielen mit dem Netzkabel können sie sich ernsthafte Verletzungen zuziehen.
  - Trennen Sie das Gerät während eines Gewitters oder bei längerer Nichtbenutzung vom Netz.
  - Die Wandsteckdose muss sich in der Nähe des Geräts befinden und einfach zu erreichen sein.
  - Steckdosen und Verlängerungsleitungen nicht überlasten. Eine Überlastung kann zu Brandgefahr bzw. Stromschlag führen.
  - Geräte der Schutzklasse 1 sind an eine Netzsteckdose mit Schutzleiter anzuschließen.
  - Geräte der Schutzklasse 2 benötigen keinen Schutzleiteranschluss.
  - Halten Sie den Netzstecker in der Hand, wenn Sie ihn aus der Netzsteckdose ziehen. Ziehen Sie ihn nicht durch Zerren am Kabel heraus. Das kann zu einem Kurzschluss führen.
  - Verwenden Sie weder ein beschädigtes Netzkabel noch einen beschädigten Stecker oder eine lockere Steckdose. Es besteht Brand- und Stromschlaggefahr.
28. Wenn das Produkt mit einer Fernbedienung mit Batterien/Knopfzellen geliefert wird oder das Produkt eine derartige Fernbedienung umfasst:

Warnung:

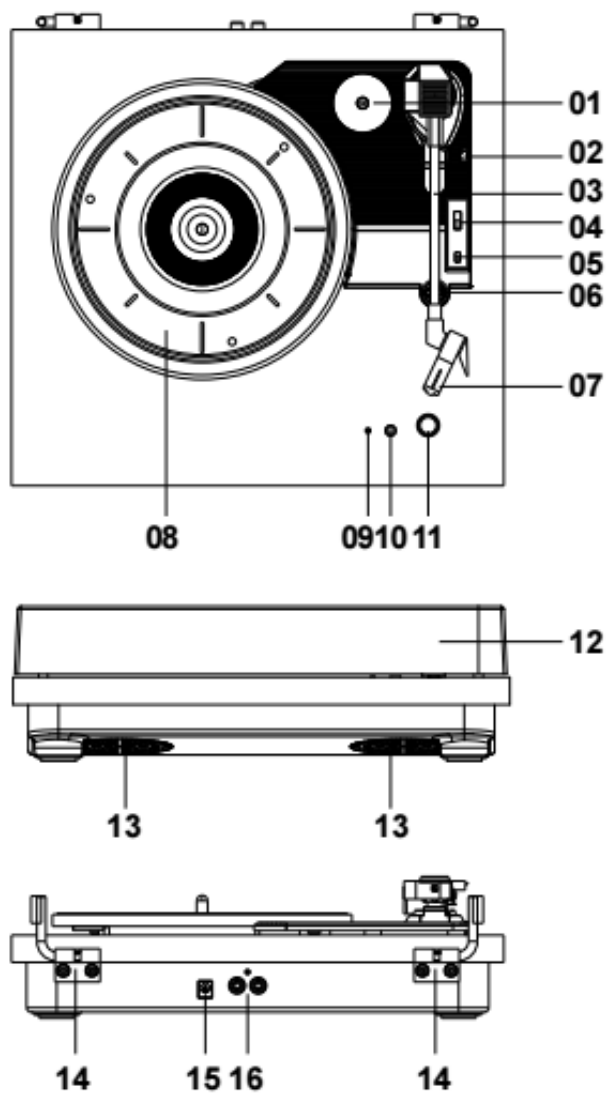
  - „Die Batterie nicht einnehmen, er besteht Verätzungsgefahr“.
  - [Die mit diesem Produkt mitgelieferte Fernbedienung] enthält eine Knopfzelle. Das Verschlucken der Batterie kann innerhalb von nur 2 Stunden zu schwersten inneren Verbrennungen mit Todesfolge führen.
  - Halten Sie neue und gebrauchte Batterien von Kindern fern.
  - Verwenden Sie dieses Produkt nicht weiter und halten Sie es von Kindern fern, wenn das Batteriefach nicht sicher schließt.
  - Suchen Sie umgehend ärztliche Hilfe auf, wenn Sie vermuten, dass Batterien verschluckt oder in Körperöffnungen eingeführt wurden.
29. Warnhinweise bzgl. der Verwendung von Batterien:
  - Es besteht Explosionsgefahr, wenn die Batterien nicht korrekt eingelegt werden. Nur mit Batterien des gleichen oder entsprechenden Typs ersetzen.
  - Die Batterie darf während der Benutzung, Aufbewahrung oder des Transports weder sehr hohen oder sehr niedrigen Temperaturen noch niedrigem Luftdruck in großen Höhenlagen ausgesetzt werden.
  - Die Ersetzung der Batterie mit einem falschen Batterietyp kann zum Explodieren der Batterie oder dem Auslaufen von entflammbarem Gas oder entflammbarer Flüssigkeit aus der Batterie führen.
  - Die Entsorgung der Batterie in Feuer oder einem heißen Ofen oder das mechanische Zerkleinern oder Zerteilen der Batterie kann zu Explosionen führen.
  - Das Verbleiben der Batterie in einer Umgebung mit sehr hohen Temperaturen kann zum Explodieren der Batterie oder dem Auslaufen von entflammbarem Gas oder entflammbarer Flüssigkeit führen.
  - Eine einem sehr niedrigen Luftdruck ausgesetzte Batterie kann explodieren oder es kann aus einer einem sehr niedrigen Luftdruck ausgesetzten Batterie entflammbares Gas oder entflammbare Flüssigkeit auslaufen.
  - Achten Sie auf den ökologischen Aspekt der Batterieentsorgung zu legen.

## **ANSCHLUSS**

- Packen Sie alle Teile aus und entfernen Sie danach die Schutzmaterialien.
- Schließen Sie das Gerät nicht eher an das Netz an, bevor Sie die Netzspannung überprüft haben und alle anderen notwendigen Verbindungen hergestellt sind.

**\*Diese Anleitung gilt nur für Produkte, die über ein Netzkabel oder einen Netzadapter verfügen.**

## 1. PLATTENSPIELERBESTANDTEILE:



1. 45-U/min-Adapter
2. Hebel Tonarmlift
3. Tonarm
4. Drehzahlwahlschalter
5. Schalter automatische Abschaltsteuerung
6. Tonarmsicherung
7. Tonkopf mit Tonnadel
8. Plattenteller
9. Ein-/Ausschalter LED-Kontrolleuchte
10. 3,5mm Kopfhörerbuchse
11. Ein-/Ausschalter und Lautstärkeregler
12. Abnehmbarer Staubschutz
13. Lautsprecher
14. Scharnier
15. Netzadapterbuchse
16. Cinch-Ausgänge

## **2. Eine Schallplatte anhören**

1. Nehmen Sie den Staubschutz ab.
2. Drehen Sie den Ein-/Ausschalter / Lautstärkeregler im Uhrzeigersinn, um das Gerät einzuschalten.
3. Legen Sie eine Schallplatte auf den Plattenteller. Stellen Sie die für die Schallplatte passende Plattenteller-Drehzahl ein.  
**Hinweis:** Wenn Sie Singles (45-U/min-Schallplatten) und/oder Schallplatten mit großem Mittelloch wiedergeben möchten, dann verwenden Sie einen Puck (45-U/min-Adapter).
4. Entfernen Sie anschließend den Nadelschutz vom Tonkopf. Entriegeln Sie danach die Tonarmsicherung der Tonarmhalterung.
5. Drücken Sie den Hebel Tonarmlift nach hinten, wird der Tonarm sanft angehoben.
6. Bewegen Sie den Tonarm vorsichtig zu der gewünschten Stelle auf der Schallplatte. Wenn die automatische Stoppfunktion eingeschaltet ist, beginnt sich die Platte des Plattenspielers zu drehen.
7. Durch nach vorne drücken der Tonarm Lift Hebel, bewegt sich der Tonarm zur Schallplatte und beginnt die Musik wiedergabe.

Wenn die Schallplatte bis zu Ende wiedergegeben wurde und der Schalter der automatischen Abschaltsteuerung auf EIN steht, dann stoppt die Schallplatte automatisch. Wenn der automatische Stopp-Kontroll-Schalter AUS geschaltet ist, stoppt die Schallplatte NICHT automatisch, wenn sie fertig abgespielt ist; Sie müssen den Tonarm Lift Hebel nach hinten drücken, um den Tonarm anzuheben und auf die Tonarmstütze zurückzulegen. Schalten Sie das Gerät ab, damit sich der Plattenspieler nicht weiter dreht.

**Bitte beachten Sie:** Die automatische Stoppfunktion gilt für die meisten 33RPM Vinylschallplatten. Dennoch stoppen einige Vinylschallplatten bevor sie zu Ende abgespielt sind oder sie stoppen nicht, wenn sie zu Ende abgespielt sind.

## **3. RCA Anschluss**

Schließen Sie die RCA Ausgangsbuchse mit dem RCA Kabel (nicht im Lieferumfang enthalten) an ein externes Lautsprechersystem an (Line in), um die Musik von den Vinylschallplatten über Ihr Lautsprechersystem zu genießen.

## **4. Kopfhöreranschluss**

Der Kopfhöreranschluss befindet sich am Bedienteil.

Hier können Sie Ihren Kopfhörer mit dem 3,5mm Klinkenstecker einstecken. Wenn der Kopfhörer angeschlossen ist, sind die eingebauten Lautsprecher ausgeschaltet.

## **5. ERSETZEN DER TONNADEL**

Folgen Sie für das Ersetzen der Tonnadel der nachfolgenden Anleitung.

Entnehmen der Tonnadel aus dem Tonkopf

1. Setzen Sie einen Schraubendreher an der Spitze des Tonnadelträgers an. Drücken Sie dann in die Richtung wie in Abb. „A“ gezeigt nach unten.
2. Entnehmen Sie danach den Tonnadelträger, indem Sie ihn nach vorne ziehen und nach unten drücken.

### **Einsetzen der Tonnadel**

1. Halten Sie den Tonnadelträger vorn fest. Setzen Sie ihn ein, indem Sie ihn in die Richtung drücken, wie es in Abb. „B“ gezeigt wird.



| EN                  | DE                     |
|---------------------|------------------------|
| Guide Pins (inside) | Führungsstifte (innen) |

2. Drücken Sie den Tonnadelträger solange wie in Abb. „C“ gezeigt nach oben, bis die Tonnadel ordnungsgemäß einrastet.

|                            |  |
|----------------------------|--|
| Lenco                      |  |
| Plattenteller              | LS-10  |
| Ausführung                 | Riemengetrieben, voll manuell                    |
| Antriebsmotor              | Gleichstrommotor                                 |
| Umdrehungen                | 33 1/3 U/Min., 45 U/Min.                         |
| Gleichlaufschwankung       | < 0,35 %   |
| Plattenteller              | 200 mm   |
| Tonabnehmer                |  |
| Ausführung                 | N-10/Keramikkartusche 402-M208-015               |
| Tonnadel                   | 0,7-µm-Diamant                                   |
| Empfohlene Auflagekraft    | 4 – 6 g  |
| Ausgangsleistung           | 160 – 380 mV (HP-4005)                           |
| Frequenzgang               | -28 dB (10 kHz)                                  |
| Kanaltrennung              | 10 dB (1 kHz)                                    |
| Signal-Rauschabstand (S/N) | 40 dB  |
| Allgemeines                |  |
| NETZTEIL                   | Eingang AC100-240V~50/60Hz<br>Ausgang DC5V1000mA |
| PRODUKT                    | DC5v1000mA                                       |
| Audio-Ausgang (Line Out)   | 200 – 500 mV                                     |
| Leistungsaufnahme          | 6W   |
| Abmessung                  | 327x315x102mm                                    |
| Gewicht                    | ca. 2,2 kg LS-10WD                               |
| Gewicht                    | ca. 2,2 kg LS-10BK                               |

## Netzadapter

**Hersteller: Shenzhen RiHuiDa Power Supply Co., Ltd.**

**Modellnummer: RHD10W050100F**

**Verwenden Sie nur die im Handbuch angegebene Stromversorgung**

| Informationen  | Wert und Genauigkeit   |
|--|--|
| Name des Herstellers oder der Handelsmarke, kommerzielle Zulassung und Anschrift | <b>Brightpower Optoelectronic Tehnology Co., Ltd.</b><br>Yinyong Industrial Zone, Junma Road, Shiyong Village, Hengli Town, Dongguan City, Guangdong Province, China |
| Modellidentifikator  | <b>SW0501000-FM</b>  |
| Eingangsspannung   | 100-240 V  |
| Wechselstromfrequenz des AC-Eingangs   | 50-60Hz  |
| Ausgangsspannung   | 5V   |
| Ausgangsstrom  | 1A   |
| Ausgangsleistung   | 6W   |
| Durchschnittliche Effizienz bei Normallast                                       | 75.83%   |
| Effizienz bei Niederlast (10 %)  | 69.05%   |
| Leistungsaufnahme bei Nulllast   | 0.055W   |



## Garantie

Lenco bietet Leistungen und Garantien im Einklang mit Europäischem Recht. Im Falle von Reparaturen (sowohl während als auch nach Ablauf der Garantiezeit) sollten Sie deshalb Ihren Einzelhändler kontaktieren.

Wichtiger Hinweis: Es ist nicht möglich, Geräte für Reparaturen direkt an Lenco zu schicken.

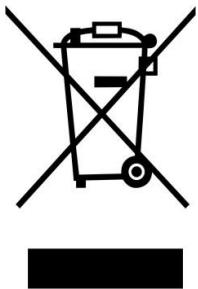
Wichtiger Hinweis: Falls dieses Gerät von einem nicht autorisierten Kundendienst geöffnet oder darauf zugegriffen wird, erlischt die Garantie.

Dieses Gerät ist nicht für professionelle Zwecke geeignet. Falls das Gerät für professionelle Zwecke eingesetzt wird, erlöschen alle Garantieverpflichtungen seitens des Herstellers.

## Haftungsausschluss

Aktualisierungen der Firmware und/oder Hardware-Komponenten werden regelmäßig durchgeführt. Daher können einige der Anweisungen, Spezifikationen und Abbildungen in dieser Dokumentation von Ihrer individuellen Situation abweichen. Alle in diesem Handbuch beschriebenen Elemente dienen nur zur Illustration und treffen auf Ihre individuelle Situation möglicherweise nicht zu. Aus der in diesem Handbuch getätigten Beschreibung können keine Rechtsansprüche oder Leistungsanforderungen geltend gemacht werden.

## Entsorgung des Altgeräts



Dieses Symbol zeigt an, dass das entsprechende Produkt oder dessen Akku/Batterie in Europa nicht mit dem normalen Hausmüll entsorgt werden darf. Um die ordnungsgemäße Abfallbehandlung des Produkts und dessen Akku/Batterie zu gewährleisten, müssen diese im Einklang mit allen anwendbaren örtlichen Vorschriften zur Entsorgung von Elektrogeräten und Akkus/Batterien entsorgt werden. Dabei helfen Sie, natürliche Ressourcen zu schonen und Umweltschutzstandards zur Verwertung und Entsorgung von Altgeräten aufrecht zu halten (Waste Electrical and Electronic Equipment Directive).

## CE-Kennzeichen



Produkte mit der CE Kennzeichnung entsprechen der EMV-Richtlinie (2014/30/EU) und der Niederspannungsrichtlinie (2014/35/EU), herausgegeben von der Kommission der Europäischen Gemeinschaft.

Lenco Benelux BV, Thermiekstraat 1a, 6361 HB Nuth, Die Niederlande, erklärt hiermit, dass dieses Produkt den grundlegenden Anforderungen.

Die Konformitätserklärung kann unter folgendem Link abgerufen werden: [techdoc@lenco.com](mailto:techdoc@lenco.com)

## Service

Besuchen Sie bitte für weitere Informationen und unseren Kundendienst unsere Homepage [www.lenco.com](http://www.lenco.com)

Lenco Benelux BV, Thermiekstraat 1a, 6361 HB Nuth, Die Niederlande.

**ATTENTION :**

L'utilisation de commandes ou d'ajustements ou l'exécution de procédures autres que celles spécifiées dans le présent document peuvent entraîner une exposition dangereuse aux radiations.

**PRÉCAUTIONS AVANT UTILISATION****GARDEZ CES INSTRUCTIONS À L'ESPRIT :**

1. Ne couvrez pas et n'obturez pas les ouvertures de ventilation. Lorsque vous placez l'appareil sur une étagère, laissez 5 cm (2") d'espace libre tout autour de l'appareil.
2. Installez-le conformément au mode d'emploi fourni.
3. Gardez l'appareil à l'écart des sources de chaleur telles que des radiateurs, appareils de chauffage, fours, bougies et autres produits générant de la chaleur ou une flamme nue. L'appareil ne peut être utilisé que dans des climats modérés. Les environnements extrêmement froids ou chauds doivent être évités. La plage de température de fonctionnement se situe entre 0° et 35° C.
4. Évitez d'utiliser l'appareil à proximité de champs magnétiques puissants.
5. Des décharges électrostatiques peuvent perturber le fonctionnement de cet appareil. Dans ce cas, il suffit de réinitialiser et de redémarrer l'appareil en suivant le mode d'emploi. Pendant le transfert de fichiers, manipulez l'appareil avec précaution et faites-le fonctionner dans un environnement sans électricité statique.
6. Mise en garde ! N'introduisez jamais un objet dans l'appareil par les ouvertures et les fentes de ventilation. Étant donné que des tensions élevées sont présentes à l'intérieur du produit, l'insertion d'un objet peut entraîner une électrocution et/ou court-circuiter les composants internes. Pour les mêmes raisons, ne versez pas de l'eau ou un liquide sur le produit.
7. Ne l'utilisez pas dans des endroits humides tels qu'une salle de bain, une cuisine pleine de vapeur ou à proximité d'une piscine.
8. L'appareil ne doit pas être exposé à des écoulements ou des éclaboussures et aucun objet contenant un liquide, tel qu'un vase, ne doit être posé sur ou près de l'appareil.
9. N'utilisez pas cet appareil lorsque de la condensation est possible. Lorsque l'appareil est utilisé dans une pièce humide et chaude, des gouttelettes d'eau ou de la condensation peuvent se former à l'intérieur de l'appareil et affecter son fonctionnement. Laissez l'appareil hors tension pendant 1 ou 2 heures avant de le mettre en marche : l'appareil doit être sec avant sa mise sous tension.
10. Bien que ce dispositif soit fabriqué avec le plus grand soin et contrôlé à plusieurs reprises avant de quitter l'usine, des problèmes peuvent néanmoins survenir, comme avec tous les appareils électriques. Si l'appareil émet de la fumée ou en cas d'accumulation excessive de la chaleur ou d'un phénomène inattendu, débranchez immédiatement la fiche d'alimentation du secteur.
11. Cet appareil doit fonctionner avec la source d'alimentation indiquée sur la plaque signalétique. Si vous n'êtes pas sûr du type d'alimentation utilisé chez vous, contactez votre revendeur ou le fournisseur local d'électricité.
12. Tenez l'appareil à l'abri des animaux. Certains animaux aiment ronger les cordons électriques.
13. Pour nettoyer l'appareil, servez-vous d'un chiffon doux et sec. N'utilisez pas de solvant ni d'autre liquide à base de pétrole. Pour enlever les taches importantes, vous pouvez vous servir d'un chiffon humide imbibé d'une solution de détergent diluée.
14. Le fournisseur n'est pas responsable des dommages ou pertes de données causés par un dysfonctionnement, une utilisation abusive, une modification de l'appareil ou un remplacement de la batterie.
15. N'interrompez pas la connexion lorsque l'appareil formate ou transfère des fichiers. Dans le cas contraire, les données pourraient être endommagées ou perdues.
16. Si l'appareil a une fonction de lecture USB, il faut brancher la clé USB directement sur l'appareil. N'utilisez pas un câble d'extension USB, car cela peut causer des interférences entraînant des pertes de données.
17. L'étiquette de classification se trouve sur le panneau inférieur ou arrière de l'appareil.
18. Cet appareil ne doit pas être utilisé par des personnes (y compris les enfants) souffrant de déficiences physiques, sensorielles ou mentales, ou d'un manque d'expérience et de connaissances, à moins qu'elles n'aient été supervisées ou qu'une personne responsable de leur sécurité ne leur ait donné des instructions sur l'utilisation correcte de l'appareil.
19. Ce produit est réservé à un usage non professionnel, et non pas à un usage commercial ni industriel.
20. Vérifiez que l'appareil est en position stable. La garantie ne couvre pas les dégâts occasionnés par l'utilisation de cet appareil en position instable, par les vibrations, les chocs ou par la non-observation de tout autre avertissement ou précaution contenus dans ce mode d'emploi.

21. N'ouvrez jamais cet appareil.
22. Ne placez jamais cet appareil sur un autre appareil électrique.
23. Ne laissez pas les sacs en plastique à la portée des enfants.
24. Utilisez uniquement les accessoires recommandés par le fabricant.
25. Confiez l'entretien et les réparations à un personnel qualifié. Une réparation est nécessaire lorsque l'appareil a été endommagé de quelque façon que ce soit, par exemple lorsque le cordon d'alimentation ou la prise sont endommagés, lorsqu'un liquide s'est déversé ou des objets sont tombés sur l'appareil, lorsque l'appareil a été exposé à la pluie ou à l'humidité, lorsqu'il ne fonctionne pas correctement ou est tombé.
26. Une exposition prolongée à la musique avec un volume élevé peut entraîner une perte auditive temporaire ou permanente.
27. Si l'appareil est livré avec un câble d'alimentation ou un adaptateur secteur :
  - En cas de problème, débranchez le cordon d'alimentation CA et confiez l'entretien à un personnel qualifié.
  - Ne marchez pas sur l'adaptateur secteur ou ne le coincez pas. Faites très attention, en particulier à proximité des fiches et du point de sortie du câble. Ne placez pas d'objets lourds sur l'adaptateur secteur, car ils pourraient l'endommager. Gardez l'appareil hors de portée des enfants ! Ils pourraient se blesser gravement s'ils jouent avec le câble d'alimentation.
  - Débranchez cet appareil pendant les orages ou lorsqu'il n'est pas utilisé pendant une longue durée.
  - La prise secteur doit être installée près de l'appareil et doit être facilement accessible.
  - Ne surchargez pas les prises de courant ou les rallonges. Une surcharge peut entraîner un incendie ou une électrocution.
  - Les appareils de classe 1 doivent être branchés à une prise de courant disposant d'une connexion protectrice à la terre.
  - Les appareils à la norme de construction de classe 2 ne nécessitent pas de connexion à la terre.
  - Tirez toujours sur la fiche pour débrancher le cordon de la prise secteur. Ne tirez pas sur le cordon d'alimentation. Cela pourrait provoquer un court-circuit.
  - N'utilisez pas un cordon ou une fiche d'alimentation endommagé ni une prise desserrée. Vous courez un risque d'incendie ou de décharge électrique.
28. Si le produit contient ou est livré avec une télécommande contenant des piles boutons :
 

Avertissement :

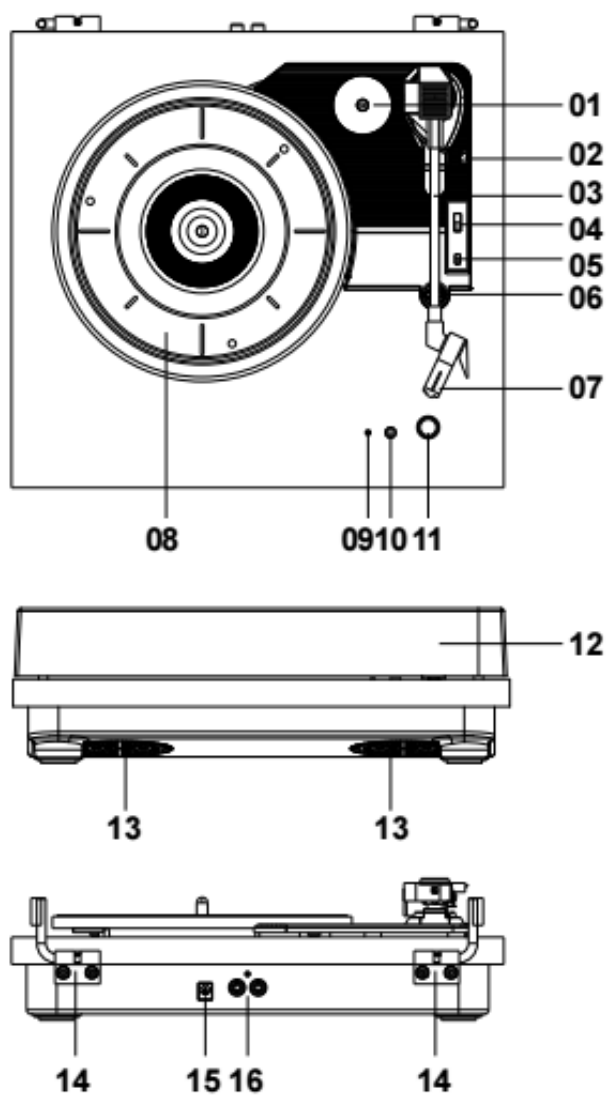
  - « N'ingérez pas la pile, car vous risquez une brûlure chimique » ou une formule équivalente.
  - La télécommande fournie contient une pile bouton/pièce de monnaie. Si la pile est avalée, elle peut causer de graves brûlures internes en seulement 2 heures et peut entraîner la mort.
  - Tenez les piles neuves et usagées hors de portée des enfants.
  - Si le compartiment à piles ne se ferme pas correctement, cessez d'utiliser l'appareil et tenez-le hors de portée des enfants.
  - Si vous pensez que les piles ont été avalées ou placées à l'intérieur d'une partie du corps, consultez un médecin immédiatement.
29. Mise en garde relative à l'utilisation des piles :
  - Risque d'explosion si la pile est mal remplacée. Remplacez les piles par des piles d'un type identique ou équivalent.
  - Pendant l'utilisation, le stockage ou le transport, la pile ne doit pas être soumise à des températures extrêmement élevées ou basses, à une faible pression d'air à haute altitude.
  - Le remplacement d'une pile par une autre de type incorrect peut entraîner une explosion ou une fuite de liquide ou de gaz inflammable.
  - L'introduction d'une pile dans le feu ou dans un four chaud, l'écrasement ou le découpage mécanique peut entraîner une explosion.
  - L'exposition d'une pile dans un environnement à température extrêmement élevée peut entraîner une explosion ou une fuite de liquide ou de gaz inflammable.
  - L'exposition d'une pile à une pression d'air extrêmement basse peut entraîner une explosion ou une fuite de liquide ou de gaz inflammable.
  - Veuillez considérer les questions environnementales lors de la mise au rebut des piles.

## **INSTALLATION**

- Déballez toutes les pièces et enlevez le matériau de protection.
- Ne connectez pas l'unité au secteur avant d'avoir vérifié la tension du secteur et avant que toutes les autres connexions n'aient été effectuées.

**\*ces instructions s'appliquent uniquement aux produits utilisant un câble d'alimentation ou un adaptateur secteur.**

## 1. PIÈCES DU TOURNE-DISQUE :



1. Adaptateur 45 tours
2. Levier de levage
3. Bras du tourne-disque
4. Sélecteur de vitesse
5. Interrupteur de commande d'arrêt automatique
6. Maintien du bras du tourne-disque
7. Photocapteur
8. Diamètre de disque
9. Voyant lumineux de mise sous/hors tension
10. Prise casque de 3,5 mm
11. Bouton marche/arrêt et de réglage de volume
12. Couvercle poussière amovible
13. Haut-parleurs
14. Charnière
15. Prise de l'adaptateur d'alimentation
16. Prise de sortie RCA

## 2. Écouter un disque

1. Soulevez le couvercle poussière.
2. Tournez le bouton marche/arrêt et de réglage de volume dans le sens horaire pour allumer l'appareil.
3. Placez un disque sur le plateau du tourne-disque et réglez la vitesse du lecteur afin qu'elle corresponde à celle du disque.

**Remarque :** En lisant un single (45 tours) ou des disques avec un grand trou central, utilisez l'adaptateur de 45 tours.

4. Enlevez le couvercle de protection de la cartouche de la pointe de lecture et débloquez le maintien du bras de lecture qui est de son support.
5. Poussez le levier de levage vers l'arrière et le bras de lecture se lèvera délicatement.
6. Déplacez doucement le bras de lecture à la position souhaitée sur le disque. Si la fonction d'arrêt automatique est activée, le plateau du tourne-disque commence à tourner.
7. Relâchez le bras de lecture sur le tourne-disque en poussant le relève-bras vers l'avant, le bras de lecture se déplacera vers le disque et la musique commencera à jouer.

Si l'interrupteur de commande d'arrêt automatique est mis sur MARCHE, le disque s'arrêtera automatiquement quand il sera fini. Si la commande d'arrêt automatique est désactivée, le disque NE s'arrêtera PAS automatiquement quand il est terminé. Vous devez alors pousser le relève-bras vers l'arrière pour relever le bras de lecture et le replacer sur le repose-bras. Ensuite, coupez l'alimentation pour faire en sorte que le tourne-disque arrête de tourner.

**Remarque :** La fonction d'arrêt automatique s'applique à la plupart des disques 33 tours en vinyle. Cependant, pour un petit nombre de disques en vinyle, le tourne-disque s'arrêtera avant la fin ou ne s'arrêtera pas à la fin du disque.

## 3. Connexion RCA

Pour profiter de la musique des disques vinyle sur votre système d'enceintes, connectez-y la prise de sortie RCA (entrée ligne) avec le cordon RCA (non fourni).

## 4. Prise casque

Sur le panneau de commande, vous trouverez une prise casque.

Vous pouvez y brancher votre casque avec une prise de 3,5 mm. Lorsque le casque est connecté, le haut-parleur intégré est désactivé.

## 5. COMMENT CHANGER LA TÊTE DE LECTURE

Pour changer la tête de lecture, consultez les instructions ci-dessous.

Démontage de la tête de lecture hors de la cartouche

1. Placez un tournevis au niveau de la pointe de l'enveloppe de la tête de lecture et poussez vers le bas dans le sens indiqué sur le schéma « A ».
2. Enlevez l'enveloppe de la tête de lecture en la tirant vers l'avant et en poussant vers le bas.

### Insertion de la tête de lecture

1. Tenez la pointe de l'enveloppe de la tête de lecture et insérez-la en l'enfonçant dans le sens indiqué sur le schéma « B ».



| EN                  | FR                          |
|---------------------|-----------------------------|
| Guide Pins (inside) | Tiges de guidage (internes) |

2. Poussez l'enveloppe de la tête de lecture vers le haut dans le sens indiqué sur le schéma « C » jusqu'à ce que la tête de lecture se bloque dans la position de la pointe.

|                             |   |
|-----------------------------|---|
| Lenco                       |   |
| Tourne-disque               | LS-10   |
| Type                        | Entraînement par courroie, entièrement manuel       |
| Moteur d'entraînement       | Moteur CC   |
| Vitesse                     | 33 1/3 tr/min, 45 tr/min                            |
| Fluctuations de vitesse     | <0,35%  |
| Diamètre de disque          | 200 mm  |
| Cartouche                   |   |
| Type                        | N-10/Cartouche céramique 402-M208-015               |
| Pointe de lecture           | 0,7 mm  |
| Force d'appui optimale      | 4 à 6 grammes                                       |
| Sortie                      | 160-380mv(HP-4005)                                  |
| Plage de fréquence          | -28dB (10kHz)                                       |
| Diaphonie                   | 10dB (1kHz)   |
| Rapport signal/bruit        | 40 dB   |
| Caractéristiques Générales  |   |
| ADAPTATEUR                  | entrée 100-240 VCA~50/60 Hz<br>sortie 5 VCC1 000 mA |
| PRODUIT                     | 5 VCC1 000 mA                                       |
| Sortie audio (sortie ligne) | 200 à 500 mV  |
| Puissance consommée         | 6 W   |
| Dimensions                  | 327 x 315 x 102 mm                                  |
| Poids                       | env.2,2 KG LS-10WD                                  |
| Poids                       | env.2,2 KG LS-10BK                                  |

### Adaptateur de puissance

**Fabricant : Shenzhen RiHuiDa Power Supply Co., Ltd.**

**Numéro du modèle : RHD10W050100F**

**Utilisez uniquement l'alimentation électrique indiquée dans le mode d'emploi**

| Informations   | Valeur et précision  |
|--|--|
| Nom ou marque du fabricant, enregistrement commercial et adresse | <b>Brightpower Optoelectronic Tehnology Co., Ltd.</b><br>Yinyong Industrial Zone, Junma Road, Shiyong Village, Hengli Town, Dongguan City, Guangdong Province, China |
| Référence du modèle  | <b>SW0501000-FM</b>  |
| Tension d'entrée   | 100-240 V  |
| Fréquence du CA d'entrée   | 50-60Hz  |
| Tension de sortie  | 5V   |
| Courant de sortie  | 1A   |
| Puissance de sortie  | 6W   |
| Rendement moyen en mode actif                                    | 75.83%   |
| Rendement à faible charge (10 %)                                 | 69.05%   |
| Consommation électrique sans charge                              | 0.055W   |



## Garantie

Lenco propose un service et une garantie conformément à la législation européenne, ce qui signifie qu'en cas de besoin de réparation (aussi bien pendant et après la période de garantie), vous pouvez contacter votre revendeur le plus proche.

Remarque importante : Il n'est pas possible de renvoyer l'appareil pour réparation directement à Lenco.

Remarque importante : Si l'appareil est ouvert ou modifié de quelque manière que ce soit par un réparateur non agréé, la garantie serait caduque.

Cet appareil ne convient pas à une utilisation professionnelle. En cas d'utilisation professionnelle, les obligations de garantie du fabricant seront annulées.

## Clause de non-responsabilité

Des mises à jour du logiciel et/ou des composants informatiques sont régulièrement effectuées. Il se peut donc que certaines instructions, caractéristiques et images présentes dans ce document diffèrent légèrement de votre configuration spécifique. Tous les articles décrits dans ce guide sont fournis uniquement à des fins d'illustration et peuvent ne pas s'appliquer à une configuration spécifique. Aucun droit légal ne peut être obtenu depuis les informations contenues dans ce manuel.

## Mise au rebut de l'appareil usagé



Ce symbole indique que le produit électrique concerné ainsi que les piles ne doivent pas être jetés avec les autres déchets ménagers en Europe. Pour garantir un traitement correct des piles et de l'appareil usagés, veuillez les mettre au rebut conformément aux réglementations locales en vigueur relatives aux appareils électriques et autres piles. En agissant de la sorte, vous contribuerez à la préservation des ressources naturelles et à l'amélioration des niveaux de protection environnementale concernant le traitement et la destruction des déchets électriques (directive sur les déchets des équipements électriques et électroniques).

## Marquage CE



Les produits avec la marque CE sont conformes à la directive CEM (2014/30/CE) et à la directive basse tension (2014/35/CE) émises par la commission de la communauté européenne.

Par la présente, Lenco Benelux BV, Thermiekstraat 1a, 6361 HB Nuth, Pays-Bas, déclare que ce produit est conforme aux exigences principales.

La déclaration de conformité peut être consultée au lien : [techdoc@lenco.com](mailto:techdoc@lenco.com)

## Service après-vente

Pour en savoir plus et obtenir de l'assistance, visitez [www.lenco.com](http://www.lenco.com)

Lenco Benelux BV, Thermiekstraat 1a, 6361 HB Nuth, Pays-Bas.

**PRECAUCIÓN:**

El uso de controles o ajustes o rendimiento de procedimientos excepto aquellos que los aquí especificados puede provocar una exposición peligrosa a la radiación.

**PRECAUCIONES PREVIAS AL USO****TENGA ESTAS INSTRUCCIONES EN MENTE:**

1. No cubra o bloquee ninguna apertura de ventilación. Cuando coloque el dispositivo en una estantería, deje 5 cm (2") de espacio libre alrededor de todo el dispositivo.
2. Instálelo conforme al manual de usuario que se adjunta.
3. Mantenga el aparato alejado de fuentes de calor, como radiadores, calentadores, estufas, velas u otros productos que generen calor o llama viva. El aparato solo puede usarse en climas moderados. Se deben evitar los ambientes extremadamente fríos o cálidos. La gama de temperatura de funcionamiento es de entre 0° y 35°C.
4. Evite usar el dispositivo cerca de campos magnéticos fuertes.
5. Una descarga electrostática puede entorpecer el uso normal de este dispositivo. En tal caso, simplemente reinicielo siguiendo el manual de instrucciones. Durante la transmisión de archivos, por favor manéjelo con cuidado opérelolo en un entorno libre de electricidad estática.
6. ¡Advertencia! Nunca inserte un objeto en el producto a través de las ventilaciones o aperturas. Alto voltaje fluye a través del producto e insertar un objeto puede provocar una descarga eléctrica y/o un cortocircuito de sus componentes internos. Por el mismo motivo, no derrame agua o líquidos en el producto.
7. No lo utilice en zonas húmedas, como cuartos de baño, cocinas en las que se forme vapor ni cerca de piscinas.
8. El aparato no debe exponerse a goteos o salpicaduras y asegúrese de que se colocan sobre o cerca del aparato objetos llenos de líquidos, como jarrones.
9. No use este dispositivo cuando se pueda producir condensación. Cuando la unidad se usa en una sala húmeda cálida, se pueden formar gotitas de agua o condensación en el interior de la unidad y esta puede no funcionar adecuadamente; deje que la unidad se apague durante 1 o 2 horas antes de volver a encender la unidad: el aparato debe estar seco antes de conectarse a una fuente de alimentación.
10. Aunque este dispositivo está fabricado con el máximo cuidado y comprobado varias veces antes de salir de fábrica, todavía es posible que se puedan producir problemas, al igual que con todos los aparatos eléctricos. Si observa la aparición de humo, una acumulación excesiva de calor o cualquier otro fenómeno inesperado, deberá desconectar inmediatamente el enchufe de la toma de corriente.
11. Este dispositivo debe funcionar con una fuente de alimentación que se especifica en la etiqueta de especificaciones. Si no está seguro del tipo de alimentación que se usa en su hogar, consulte con el distribuidor o una compañía eléctrica local.
12. Manténgalo alejado de los animales. A algunos animales les encanta morder los cables de alimentación.
13. Para limpiar el dispositivo use un paño seco y suave. No utilice líquidos disolventes ni con base de petróleo. Para eliminar manchas difíciles, puede usar un paño húmedo con detergente diluido.
14. El proveedor no asume ninguna responsabilidad por daños o datos perdidos provocados por un funcionamiento incorrecto, uso incorrecto, modificación del dispositivo o sustitución de la batería.
15. No interrumpa la conexión cuando el dispositivo esté formateando o transfiriendo archivos. En caso contrario, los datos se pueden estropear o perder.
16. Si la unidad dispone de función de reproducción USB, se debe conectar la memoria USB directamente en la unidad. No utilice un cable de extensión USB ya que pueden crear interferencias que causen una pérdida de datos.
17. La etiqueta calificativa se encuentra en la parte inferior o en el panel posterior del aparato.
18. Este dispositivo no está diseñado para su uso por parte de personas (incluyendo niños) con discapacidad física, sensorial o mental o con falta de experiencia o conocimientos, salvo que se les haya dado supervisión o instrucciones acerca del uso correcto del dispositivo por parte de una persona responsable de su seguridad.
19. Este producto está diseñado para un uso no profesional únicamente y no para un uso comercial o industrial.
20. Asegúrese de que la unidad esté fijada en una posición estable. La garantía no cubrirá los daños derivados de usar este producto en una posición inestable, vibraciones o golpes o por no seguir otras advertencias o precauciones que aparecen en este manual de usuario.
21. Nunca retire la carcasa del dispositivo.
22. Nunca coloque este dispositivo sobre otro equipo eléctrico.
23. Mantenga las bolsas de plástico fuera del alcance de los niños.

24. Use únicamente los dispositivos/accesorios especificados por el fabricante.
25. Remita todas las reparaciones al personal cualificado. Es necesario el mantenimiento cuando el aparato presenta cualquier tipo de daño, por ejemplo, el cable de alimentación o el enchufe presentan daños; se ha vertido líquido sobre el aparato; se han caído objetos en el aparato; el aparato se ha expuesto a la lluvia o humedad; el aparato no funciona normalmente o se ha caído.
26. Una larga exposición a sonidos elevados de reproductores de música personales puede provocar una pérdida de audición temporal o permanente.
27. Si el producto viene con un cable de alimentación o un adaptador de corriente de CA:
  - Si se produce cualquier problema, desconecte el cable de alimentación CA y remítalo a mantenimiento por parte de personal cualificado.
  - No pise o pince el adaptador de alimentación. Tenga mucho cuidado, en especial en las zonas alrededor de las tomas y el punto de salida del cable. No coloque objetos pesados en el adaptador de alimentación, ya que pueden dañarlo. ¡Mantenga el dispositivo fuera del alcance de los niños! Si juegan con el cable de alimentación, puede sufrir lesiones graves.
  - Desconecte el dispositivo durante tormentas eléctricas o cuando no vaya a usarse durante periodos prolongados de tiempo.
  - La salida de la toma debe instalarse cerca del equipo y debe ser fácilmente accesible.
  - No sobrecargue las tomas CA o los cables de extensión. La sobrecarga puede provocar un incendio o una descarga eléctrica.
  - Los dispositivos con construcción de Clase 1 deben estar conectados a una toma de corriente con una conexión a tierra protegida.
  - Los dispositivos con construcción de Clase 2 no requieren una conexión a tierra.
  - Sujete siempre el enchufe cuando los extraiga de la toma de corriente. No tire del cable de alimentación. Esto puede provocar un cortocircuito.
  - No utilice un cable de alimentación o enchufe deteriorado o una toma suelta. Si lo hace, podría provocar un incendio o una descarga eléctrica.
28. Si el producto contiene o se entrega con un mando a distancia que contiene pilas de botón / celdas:
 

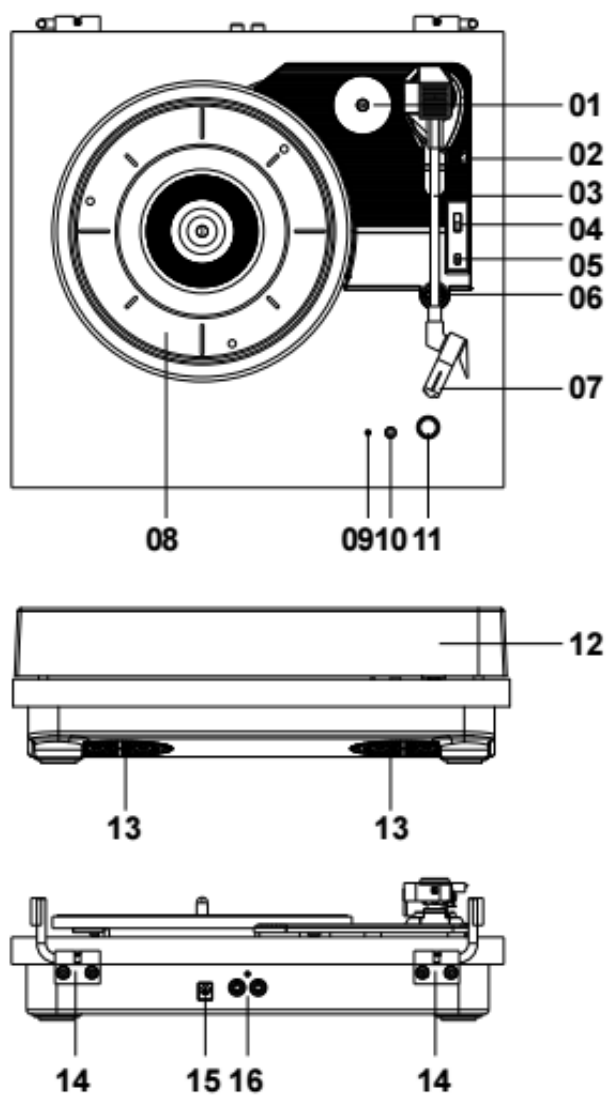
Advertencia:

  - “Ni ingiera la pila, riesgo de quemadura química” o frase equivalente.
  - [El mando a distancia que se suministra] Este producto contiene una pila de tipo botón/moneda. Si la pila se traga, puede provocar graves quemaduras internas en sólo 2 horas y podría ocasionar la muerte.
  - Mantenga las pilas nuevas o usadas fuera del alcance de los niños.
  - Si el compartimiento de las pilas no se cierra correctamente, deje de usar el producto y no lo deje al alcance los niños.
  - Si tiene la sospecha de que una pila ha sido ingerida o se encuentra en algún lugar del cuerpo, busque inmediatamente atención médica.
29. Precaución sobre el uso de las pilas:
  - Existe riesgo de explosión si la pila no se sustituye correctamente. Sustitúyala únicamente con otra del mismo tipo u otro equivalente.
  - No se pueden exponer las pilas a temperaturas extremadamente altas o bajas, baja presión de aire a gran altitud durante el uso, almacenamiento o transporte.
  - Si cambia la pila por otra que no sea la correcta, se puede producir una explosión o la fuga de líquidos o gases inflamables.
  - Si arroja la pila al fuego o a un horno caliente, o aplasta o corta mecánicamente una pila, podría provocar una explosión.
  - Si deja una pila en un lugar con temperaturas extremadamente altas, se puede producir una explosión o una fuga de líquido o gas inflamable.
  - Si se expone la pila a una presión de aire extremadamente baja, se puede producir una explosión o la fuga de líquidos o gases inflamables.
  - Se debe prestar atención a los aspectos medioambientales sobre la eliminación de baterías.

## INSTALACIÓN

- Desembale todas las piezas y retire el material protector.
- No conecte la unidad a la corriente eléctrica antes de comprobar la tensión de la corriente y antes de que se hayan hecho todas las demás conexiones.

## 1. PIEZAS DEL TOCADISCOS:



1. Adaptador de 45rpm
2. Palanca de izado
3. Brazo del tocadiscos
4. Interruptor de selección de velocidad
5. Interruptor de control de parada automática
6. Bloqueo del brazo del tocadiscos
7. Cartucho de aguja fonocaptora
8. Plato de tocadiscos
9. Indicador de luz LED de encendido / apagado
10. Toma de auriculares de 3,5 mm
11. Interruptor de control de volumen / encendido / apagado
12. Sobrecubierta extraíble
13. Altavoces
14. Bisagra
15. Conector del adaptador de corriente
16. Conectores de Salida RCA

## 2. Escuchar un disco

1. Levante la sobrecubierta
2. Gire el interruptor de control de volumen / encendido / apagado en sentido horario para encender la unidad.
3. Coloque un disco sobre el plato del tocadiscos y ajuste la velocidad para que coincida con la velocidad del disco.  
**Nota:** Para reproducir un single (disco de 45 rpm) y/o discos con agujeros centrales grandes utilice el adaptador de 45 rpm.
4. Retire la funda protectora del cartucho de la aguja y quite el bloqueo del brazo de lectura.
5. Empuje la palanca de izado hacia atrás y el brazo de lectura se levantará suavemente.
6. Mueva suavemente el brazo a la posición que desee sobre el disco. Si la función de parada automática está conectada. El plato del tocadiscos empezará a girar.
7. Suelte el brazo del tocadiscos tirando hacia arriba de la palanca de levantamiento: el brazo se moverá hacia el disco y se empezará a reproducir música.

Si el interruptor de control de parada automática está encendido, el disco dejará de reproducirse automáticamente cuando se termine. Si el interruptor de control de la parada automática está apagado, el disco NO se detendrá automáticamente cuando finalice; entonces debe empujar la palanca del brazo hacia atrás para subir el brazo y volverlos a colocar en el soporte. Posteriormente, apague la alimentación para detener el giro del tocadiscos.

**Tenga en cuenta:** La función de parada automática se aplica a la mayoría de los discos de vinilo de 33RPM. Sin embargo, en algunos discos de vinilo, se detendrá antes de que alcance el final o no se detendrá cuando haya llegado al final del disco.

## 3. Conexión RCA

Conecte la toma de salida RCA al sistema de altavoces externos (Entrada de línea) con el cable RCA (no suministrado) para disfrutar de la música de los discos de vinilo en su sistema de altavoces.

## 4. Toma de auriculares

En el panel de función encontrará la toma de auriculares.

Aquí puede conectar su auricular con una toma de 3,5mm. Cuando el auricular se conecta al altavoz integrado, se apagará.

## 5. CÓMO SUSTITUIR LA AGUJA

Consulte las instrucciones siguientes para sustituir la aguja.

Retirar la aguja del cartucho

1. Coloque un destornillador en la punta de la cubierta de la aguja y empuje hacia abajo, en la dirección mostrada en el dibujo "A".
2. Retire la cubierta de la aguja estirando hacia delante y empujando hacia atrás.

### Insertar la aguja

1. Sostenga la punta de la cubierta de la aguja e insértela presionando en la dirección mostrada en "B".



| EN                  | ES                        |
|---------------------|---------------------------|
| Guide Pins (inside) | Pasadores guía (interior) |

2. Empuje la cubierta de la aguja hacia arriba en la dirección mostrada en “C” hasta que la aguja quede fijada en la posición de la punta.

|                                     |   |
|-------------------------------------|---|
| Lenco                               |   |
| Tocadiscos                          | LS-10                                   |
| Tipo                                | Accionado por correa, totalmente manual |
| Motor de accionamiento              | Motor DC                                |
| Velocidad                           | 33 1/3 rpm, 45 rpm                      |
| Distorsión y variación de velocidad | <0,35%                                  |
| Plato de tocadiscos                 | 200mm                                   |
| Cápsula fonocaptora                 |   |
| Tipo                                | N-10/Cartucho cerámico 402-M208-015     |
| Aguja                               | 0,7 mil                                 |
| Fuerza de tracción óptima           | 4~6 gramos                              |
| Salida                              | 160-380 mv (HP-4005)                    |
| Respuesta de frecuencia             | -28 db (10 KHz)                         |
| Diafonía                            | 10 db (1 KHz)                           |
| Relación Señal-Ruido (S/R)          | 40 db                                   |
| General                             |   |
| ADAPTADOR                           | Entrada Ca100-240V~50/60Hz              |
|                                     | Salida CC5V1000mA                       |
| PRODUCTO                            | CC5v1000mA                              |
| Salida de audio (Salida de línea)   | 200-500mv                               |
| Consumo de energía                  | 6W                                      |
| Dimensiones                         | 327x315x102mm                           |
| Peso                                | aproximadamente 2.2KGS LS-10WD          |
| Peso                                | aproximadamente 2.2KGS LS-10BK          |

### Adaptador de alimentación

**Fabricante: Shenzhen RiHuiDa Power Supply Co., Ltd.**

**Número de modelo: RHD10W050100F**

**Utilice únicamente la fuente de alimentación indicada en las instrucciones de uso**

| Información  | Valor y precisión  |
|--|--|
| Nombre de los fabricantes o marcas registradas, registro comercial y dirección | <b>Brightpower Optoelectronic Tehnology Co., Ltd.</b><br>Yinyong Industrial Zone, Junma Road, Shiyong Village, Hengli Town, Dongguan City, Guangdong Province, China |
| Identificador del modelo   | <b>SW0501000-FM</b>  |
| Tensión de entrada   | 100-240 V  |
| Frecuencia CA de entrada   | 50-60Hz  |
| Tensión de salida  | 5V   |
| Corriente de salida  | 1A   |
| Potencia de salida   | 6W   |
| Eficiencia activa media  | 75.83%   |
| Eficiencia a carga baja (10%)  | 69.05%   |
| Consumo energético sin carga   | 0.055W   |

## Garantía

Lenco ofrece servicio y garantía en cumplimiento con las leyes de la Unión Europea, lo cual implica que, en caso de que su producto precise ser reparado (tanto durante como después del periodo de garantía), deberá contactar directamente con su distribuidor.

Nota importante: No es posible enviar sus reparaciones directamente a Lenco.

Nota importante: Si la unidad es abierta por un centro de servicio no oficial, la garantía quedará anulada.

Este aparato no es adecuado para el uso profesional. En caso de darle un uso profesional, todas las obligaciones de garantía del fabricante quedarán anuladas.

## Exención de responsabilidad

Regularmente se llevan a cabo actualizaciones en el Firmware y en los componentes del hardware. Por esta razón, algunas de las instrucciones, especificaciones e imágenes incluidas en este documento pueden diferir ligeramente respecto a su situación particular. Todos los elementos descritos en esta guía tienen un objetivo de mera ilustración, y pueden no ser de aplicación en su situación particular. No se puede obtener ningún derecho ni derecho legal a partir de la descripción hecha en este manual.

## Eliminación del antiguo dispositivo



Este símbolo indica que no deberá deshacerse del producto eléctrico o batería en cuestión junto con los residuos domésticos, en el ámbito de la UE. Para garantizar un tratamiento residual correcto del producto y su batería, por favor, elimínelos cumpliendo con las leyes locales aplicables sobre requisitos para el desechado de equipos eléctricos y baterías. De hacerlo, ayudará a conservar recursos naturales y mejorar los estándares de protección medioambiental en el tratamiento y eliminación de residuos eléctricos (Directiva sobre la Eliminación de Equipos Eléctricos y Electrónicos).

## Marca CE



Los productos con la marca CE cumplen con la Directiva EMC (2014/30/EU) y con la Directiva de Bajas Tensiones (2014/35/EU) emitida por la Comisión de la Unión Europea.

Por la presente, Lenco Benelux BV, Thermiekstraat 1a, 6361 HB Nuth, Países Bajos, declara que este producto cumple con las exigencias esenciales.

La declaración de conformidad puede consultarse en [techdoc@lenco.com](mailto:techdoc@lenco.com)

## Servicio

Para obtener más información y soporte del departamento técnico, por favor, visite la página web [www.lenco.com](http://www.lenco.com)

Lenco Benelux BV, Thermiekstraat 1a, 6361 HB Nuth, Países Bajos.



**ВНИМАНИЕ:**

Использование элементов управления или регулирования или выполнение процедур, отличных от указанных в данном документе, может привести к опасному радиационному облучению. Устройство не должно ремонтироваться кем-либо, кроме квалифицированных сервисных инженеров.

**МЕРЫ ПРЕДОСТОРОЖНОСТИ ПЕРЕД ЭКСПЛУАТАЦИЕЙ****СОБЛЮДАЙТЕ СЛЕДУЮЩИЕ ИНСТРУКЦИИ:**

1. Не используйте устройство рядом с любым источником воды.
2. Для очистки устройства используйте мягкую сухую ткань.
3. Не закрывайте и не блокируйте вентиляционные отверстия. При размещении устройства на полке оставьте вокруг него 5 см (2 дюйма) свободного пространства.
4. Установите устройство в соответствии с руководством пользователя, входящим в комплект поставки.
  - Не наступайте на адаптер питания и не зажимайте его. Будьте очень осторожны, особенно возле штекеров и кабельного вывода. Не размещайте на адаптере электропитания тяжелые предметы, так как они могут повредить его. Храните устройство в недоступном для детей месте! Играя с кабелем электропитания, они могут серьезно пораниться.
  - Отключайте это устройство от сети во время грозы или если не используете в течение длительного времени.
5. Устройство должно находиться вдали от источников тепла, таких как батареи, обогреватели, нагревательные печи, свечи и другие изделия, выделяющие тепло, или открытое пламя. Устройство можно использовать только в условиях умеренного климата. Следует избегать чрезмерно высоких или низких температур окружающей среды. Рабочая температура составляет от 0 ° до 35 °C.
6. Не используйте устройство вблизи сильных магнитных полей.
7. Электростатический разряд может помешать нормальной эксплуатации устройства. Если это так, просто перезагрузите и перезапустите устройство, следуя инструкции по эксплуатации. Соблюдайте осторожность при передаче файлов и эксплуатируйте устройство в среде, свободной от атмосферных помех.
8. Предупреждение! Не вставляйте какие-либо предметы в изделие через вентиляционные отверстия или проемы. Через изделие проходит высокое напряжение, и вставленный предмет может вызвать поражение электрическим током и/или короткое замыкание внутренних частей. По той же причине не проливайте на изделие воду или любую другую жидкость.
9. Не используйте устройство в помещениях с повышенной влажностью, таких как ванные комнаты, кухни, насыщенные паром, или около бассейнов.
10. Не используйте это устройство в среде, где возможно образование конденсата.
11. Несмотря на то, что это устройство изготовлено с особой тщательностью и несколько раз проверено перед выпуском с завода, возникновение проблем все же возможно, как и со всеми электрическими приборами. Если Вы заметили дым, чрезмерное нагревание или любые другие неожиданные явления, Вам следует немедленно отключить вилку от розетки электропитания.
12. Это устройство должно работать от такого источника питания, как указано на заводской табличке со спецификациями. Если Вы не уверены в том, какой тип источника питания используется в Вашем доме, проконсультируйтесь с Вашим торговым посредником или местной электроэнергетической компанией.
  - Штепсельная розетка должна быть установлена рядом с оборудованием и быть в непосредственном доступе.
  - Не перегружайте розетки переменного тока или удлинительные шнуры. Перегрузка может вызвать возгорание или поражение электрическим током.
  - Устройства, спроектированные в соответствии с первым классом электрооборудования по европейским стандартам, «class 1», необходимо подключать к заземленным розеткам электропитания.
  - Устройства, спроектированные в соответствии со вторым классом электрооборудования по европейским стандартам, «class 2», не требуют наличия заземления в сети электропитания.
13. Размещайте устройство подальше от животных. Некоторым животным нравится кусать шнур питания.

- Вынимая вилку из штепсельной розетки, всегда держитесь за вилку. Не тяните за шнур питания. Это может вызвать короткое замыкание.
14. Избегайте размещения устройства на поверхностях, которые могут быть подвержены избыточной вибрации или ударам.
  15. Для очистки устройства используйте мягкую сухую ткань. Не используйте растворители или жидкости на основе бензина. Чтобы удалить устойчивые пятна, Вы можете использовать влажную ткань с разбавленным моющим средством.
  16. Поставщик не несет ответственности за повреждение или потерю данных, вызванные неисправностью, неправильным использованием, реконструкцией устройства или заменой батареи.
  17. Не прерывайте соединение, когда устройство форматирует или передает файлы. В противном случае данные могут быть повреждены или утеряны.
  18. Если в устройстве есть функция воспроизведения через USB, карту памяти USB следует подключать напрямую к устройству. Не используйте удлинительный кабель USB, так как он может вызывать помехи, что приведет к потере данных.
  19. Не допускайте попадания на устройство капель или брызг. Следите за тем, чтобы на устройство или рядом с ним не ставились предметы, наполненные жидкостью, например вазы.
    - В случае возникновения каких-либо проблем отключите шнур питания переменного тока и обратитесь за обслуживанием к квалифицированному персоналу.
  20. Если устройство работает от батарей, батарею не следует подвергать нагреву от солнца, огня и других горячих источников.
  21. Следует обратить внимание на экологические аспекты утилизации батарей.
  22. Устройство можно использовать только в умеренном климате. Холодные и теплые условия не подходят при использовании устройства.
  23. Табличка с техническими данными находится на нижней или задней панели устройства.
  24. Это устройство не предназначено для использования людьми (включая детей) с физическими, умственными расстройствами, расстройствами чувственного восприятия или с недостатком опыта и знаний, если они не находятся под наблюдением или не получили инструкции по правильному использованию устройства со стороны лица, отвечающего за их безопасность.
  25. Это изделие не предназначено для профессионального, коммерческого или промышленного использования.
  26. Убедитесь, что устройство установлено в устойчивое положение. Гарантия не распространяется на повреждения, вызванные эксплуатацией этого изделия в нестабильном положении, вибрациями или ударами, либо несоблюдением любых других предупреждений или мер предосторожности, содержащихся в данном руководстве пользователя.
  27. Никогда не снимайте корпус этого устройства.
  28. Никогда не помещайте это устройство на другое электрическое оборудование.
  29. Не используйте и не храните устройство в местах, где оно может быть подвержено воздействию прямых солнечных лучей, образованию чрезмерного количества пыли или излишней вибрации.
  30. Не допускайте игр детей с пластиковыми пакетами, используемыми для упаковки устройства.
  31. Используйте только приспособления/принадлежности, указанные производителем.
  32. Поручите все обслуживание квалифицированному обслуживающему персоналу. Обслуживание требуется, когда устройство было повреждено, например, его шнур электропитания или вилка, когда была пролита жидкость или какие-либо предметы упали на устройство, когда устройство подверглось воздействию дождя или влаги, когда устройство работает ненормально, или когда произошло падение устройства.
  33. \* Не используйте поврежденный шнур электропитания, вилку или незакрепленную, ослабленную розетку. Это может привести к возгоранию или поражению электрическим током.
  34. Длительное воздействие громких звуков личных музыкальных проигрывателей может привести к временной или постоянной потере слуха.
  35. Если продукт содержит или поставляется с пультом дистанционного управления с батареей типа «таблетка»/ «монетка»:
 

Предупреждение :

    - «Не проглатывать батарею, опасность химического ожога» или аналогичные действия.
    - [Пульт дистанционного управления, входящий в комплект] Этот продукт содержит батарейку типа «таблетка»/ «монетка». Если проглотить батарейку, это может вызвать серьезные внутренние ожоги всего за 2 часа и привести к смерти.
    - Храните новые и использованные батареи в недоступном для детей месте.

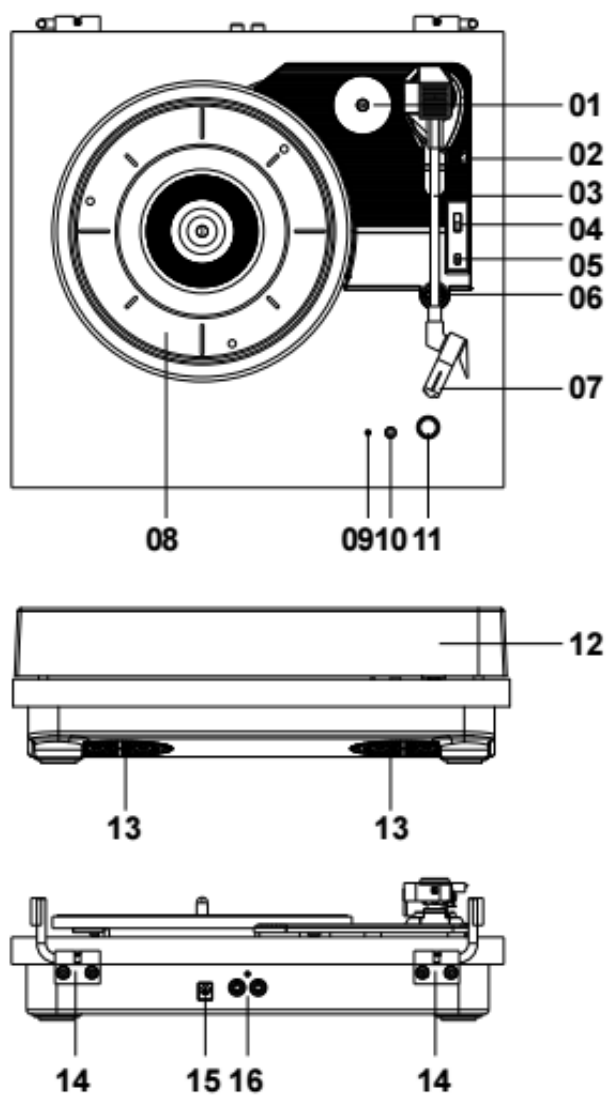
- Если батарейный отсек закрывается ненадежно, прекратите использование продукта и храните его в недоступном для детей месте.
- Если Вы считаете, что батарейки могли быть проглотить или они могли попасть в какую-либо часть тела, немедленно обратитесь за медицинской помощью.

#### **УСТАНОВКА**

- Распакуйте все компоненты проигрывателя и снимите защитные материалы.
- Не подключайте устройство к электросети до проверки сетевого напряжения и до выполнения всех остальных подключений.

**\* Эти инструкции относятся только к продуктам, использующим кабель электропитания или адаптер переменного тока.**

## 1. УСТРОЙСТВО ПРОИГРЫВАТЕЛЯ:



1. Адаптер 45 об/мин
2. Рычажок звукоснимателя
3. Звукосниматель
4. Переключатель скоростей
5. Выключатель автостопа
6. Защелка
7. Картридж с иглой
8. Тарелка
9. Индикатор питания
10. Выход наушников
11. Вкл/выкл/громкость
12. Съёмная защитная крышка
13. Динамики
14. Петли
15. Вход электропитания
16. Выход RCA (тюльпаны)

## **2. Проигрывание виниловых пластинок**

1. Откройте пылезащитную крышку
2. Поверните переключатель питания (Вкл/Выкл/громкость) по часовой стрелке, чтобы включить устройство.
3. Положите пластинку на проигрыватель и установите скорость проигрывания, совпадающую с со скоростью пластинки.

**Примечание:** При проигрывании синглов (пластинок со скоростью записи 45 об/минуту) и/или пластинок с большим центральным отверстием, используйте входящий в комплект адаптер.

4. Снимите защитную крышечку с картриджа с иглой и откройте Защелку звукоснимателя.
5. Поднимите звукосниматель Рычажком звукоснимателя.
6. Аккуратно поместите Звукосниматель над желаемым треком пластинки. Если включена функция автостопа, тарелка начнет вращаться.
7. Рычажком звукоснимателя опустите Звукосниматель для начала воспроизведения.

При включенном Автостопе пластинка остановится автоматически при достижении последнего трека. Если Автостоп не включен, проигрывание не закончится автоматически. Поднимите Звукосниматель Рычажком и переместите Звукосниматель обратно на Держатель. Опустите Звукосниматель Рычажком. Выключите питание, чтобы остановить тарелку.

**Примечание:** Некоторые виды пластинок могут иметь специфичную зону автостопа, из-за которой пластинка может остановиться, не проиграв все треки. Чтобы избежать этого, отключите Автостоп при использовании таких пластинок.

## **3. Подключение внешних динамиков (RCA)**

Подключите внешнюю аудио систему к разъемам RCA на устройстве с помощью кабеля RCA (не входит в комплект), чтобы наслаждаться музыкой с использованием внешних колонок.

## **4. Разъем для наушников**

На панели управления находится разъем для наушников.

Вы можете подключить наушники с разъемом 3,5 мм. При подключении наушников встроенные динамики отключаются.

## **5. ПРОЦЕДУРА ЗАМЕНЫ ИГЛЫ**

Чтобы заменить иглу, следуйте приведенным ниже инструкциям.

### Удаление иглы из картриджа

1. Поместите отвертку на кончик иглы и отодвиньте его, как показано в направлении «А».
2. Снимите иглу, потянув иглу вперед и отодвинув ее.

### Установка иглы

1. Возьмитесь за кончик иглы и вставьте иглу, нажав, как показано в направлении «В».
2. пододвиньте иглу, как в направлении «С», пока игла не зафиксируется в положении кончика.



|                              |  |
|------------------------------|--|
| Lenco                        |  |
| Модель проигрывателя         | LS-10  |
| Тип привода                  | Пассиковый   |
| Двигатель привода            | Электродвигатель постоянного тока  |
| Скорость вращения            | 33 1/3, 45 об./мин.  |
| Нестабильность вращения      | <0.35%   |
| Диаметр опорного диска       | 200 мм   |
| Картридж                     |  |
| Тип картриджа                | N-10 / Керамический картридж 402-M208-015  |
| Диаметр иглы звукоснимател   | 0.7 мм   |
| Оптимальная прижимная сила   | 4-6 грамм  |
| Выходная мощность            | 160-380mV (HP-4005)  |
| Частотный диапазон           | -28 дБ (10 КГц)  |
| Crosstalk                    | 10 дБ (1 КГц)  |
| Соотношение сигнал-шум (S/N) | 40 дБ  |
| Общая информация             |  |
| АДАПТЕР                      | Входное напряжение 100-240 В переменного тока ~50/60 Гц<br>Выходное напряжение 5 В постоянного тока 1000mA |
| ИЗДЕЛИЕ                      | 5 В постоянного тока – 1000mA  |
| Уровень выхода (Line Out)    | 200-500mv  |
| Энергопотребление            | 6 Вт   |
| Габаритные размеры           | 327x315x102 мм   |
| Масса                        | approx.2.2KGS LS-10WD  |
| Масса                        | approx.2.2KGS LS-10BK  |

### Адаптер электропитания

**Производитель: Шенжень РиЮДа Пауэр Сапплай Ко., Лтд. (Shenzhen RiHuiDa Power Supply Co., Ltd.).**

**Номер модели: RHD10W050100F**

**Используйте только такой источник питания, как указано в инструкции пользователя.**

| Informazioni   | Valore e precisione   |
|--|---|
| Nome del produttore o marchio commerciale, registrazione commerciale e indirizzo | <b>Brightpower Optoelectronic Tehnology Co., Ltd.</b><br>Yinyong Industrial Zone, Junma Road, Shiyong Village,<br>Hengli Town, Dongguan City, Guangdong Province, China |
| Identificatore del modello   | <b>SW0501000-FM</b>   |
| Tensione in ingresso   | 100-240V  |
| Frequenza in ingresso CA   | 50-60 Hz  |
| Tensione in uscita   | 5V  |
| Corrente in uscita   | 1A  |
| Potenza in uscita  | 6W  |
| Efficienza media attiva  | 75,83%  |
| Efficienza a basso carico (10%)  | 69,05%  |
| Nessun carico Consumo energetico   | 0,055W  |

#### **Гарантийные обязательства**

**Срок гарантии** составляет 1 (один) год с даты продажи. **Срок службы** – до 5 (пяти) лет.

Важное примечание: Компания Lenco не обеспечивает обслуживание оборудования в случае непосредственного обращения в головной офис компании.

Важное примечание: Гарантия не действует, если устройство вскрывалось или подвергалось изменениям вне официального сервисного центра.

Это устройство не предназначено для профессионального использования. В случае профессионального использования гарантийные обязательства производителя не будут выполняться.

#### **Заявление об ограничении ответственности**

Обновления микропрограмм и/или компонентов аппаратного обеспечения производятся регулярно. Поэтому некоторые инструкции, спецификации и изображения в этой документации могут незначительно отличаться от Вашей конкретной ситуации. Все элементы, описанные в данном руководстве, предназначены только для иллюстрации и могут не относиться к конкретной ситуации. Из описания, приведенного в этом руководстве, нельзя получить никаких юридических прав.

#### **Утилизация оборудования**



Этот символ означает, что соответствующее электрооборудование или батарея не может быть утилизирована как обычные бытовые отходы в Европе. Чтобы обеспечить корректную утилизацию данного оборудования руководствуйтесь местными законами или требованиями по утилизации электронного оборудования и батарей.

Поступая таким образом, Вы поможете сохранить природные ресурсы и улучшить стандарты защиты окружающей среды при обработке и утилизации электрических отходов (Директива ЕС об отходах электрического и электронного оборудования).

## Маркировка «CE»



Продукция с маркировкой CE соответствует требованиям Директиве ЕС по электромагнитной совместимости (2014/30/ЕС) и Директиве ЕС по вопросам качества низковольтных электротехнических изделий (2014/35/ЕС), принятых Комиссией Европейского Союза. Настоящим компания «Ленко Бенелюкс БВ» (Lenco Benelux BV), Термикстраат 1а, Нют, 6361 НВ, Нидерланды (Thermiekstraat 1a, 6361 НВ Nuth, The Netherlands) заявляет, что этот продукт соответствует основным требованиям. С декларацией соответствия можно ознакомиться по адресу [techdoc@lenco.com](mailto:techdoc@lenco.com). «Ленко Бенелюкс БВ», Термикстраат 1а, Нют, 6361 НВ, Нидерланды.

## Маркировка «EAC»



Товар сертифицирован для использования на территории Таможенного Союза без каких-либо ограничений. Соответствует требованиям ТР ТС 004/2011 «О безопасности низковольтного оборудования» и ТР ТС 020/2011 «Электромагнитная совместимость технических средств». **Импортер и организация, уполномоченная на принятие претензий:** ООО "Бизнес-фабрика", 123458 г. Москва, ул. Маршала Прошлякова, д. 30, офис 503, +7 495 787 5900. **Изготовитель:** «Ленко Бенелюкс БВ», Термикстраат 1а, Нют, 6361 НВ, Нидерланды / **Филиал:** Эс.Ти.Ай. Электроникс Лтд., Юнит 903-907, 9/ЭФ, Лоз Коммершиал Плаза, 788 Чонг Ша Ван Роуд, Коулун, Гонконг. Сделано в Китае.

## Обслуживание

Для получения дополнительной информации и обращения в службу поддержки клиентов посетите наш веб-сайт: [www.lenco.ru](http://www.lenco.ru). Дизайн и спецификация могут быть изменены производителем без предварительного информирования.

## Дата изготовления продукции

Год и месяц изготовления продукции указаны в номере партии и серийном номере продукта. Ниже описаны способы уточнения этой даты.

- По номеру партии (номер партии указан либо на упаковке устройства, либо на транспортировочной упаковке).
  - Формат номера партии: AAAABDDMY
- По серийному номеру продукта (серийный номер указан на устройстве).
  - Формат серийного номера: AAAABDDMYSSSSSS



Где М (восьмой символ слева) равен месяцу производства, а Y (девятый символ слева) равен году производства. Месяц производства указывается одной из букв латинского алфавита.

Соответствие буквенных обозначений месяца производства:

|          |          |          |          |          |          |
|----------|----------|----------|----------|----------|----------|
| <b>A</b> | <b>B</b> | <b>C</b> | <b>D</b> | <b>E</b> | <b>F</b> |
| Январь   | Февраль  | Март     | Апрель   | Май      | Июнь     |
| <b>G</b> | <b>H</b> | <b>I</b> | <b>J</b> | <b>K</b> | <b>L</b> |
| Июль     | Август   | Сентябрь | Октябрь  | Ноябрь   | Декабрь  |

Год производства указывается одной цифрой, которая соответствует последней цифре года производства (цифра 1 равна 2021 году производства).

**Пример расшифровки по номеру партии:**

- Номер партии: 2461A05**C0**
- Где буква **C** это месяц (Март), а цифра **0** – последняя цифра года производства (2020 год).

**Пример расшифровки по серийному номеру:**

- 2461A05**A1**123456
- Где буква **A** это месяц (Январь), а цифра **1** – последняя цифра года производства (2021 год).

## Гарантийный талон

# Lenco

### Информация об устройстве

|  |  |
|--|--|
| <b>Модель:</b>   |  |
| <b>Серийный номер:</b>   |  |
| <b>Дата продажи:</b><br>срок гарантии – 1 (один) год с даты<br>продажи |  |

## Информация о продавце

|                                |  |
|--------------------------------|--|
| Название торговой организации: |  |
| Телефон торговой организации:  |  |
| Адрес, e-mail:                 |  |

Подпись продавца \_\_\_\_\_

М.П.

Подпись покупателя \_\_\_\_\_

*Изделие получил в исправном состоянии и в полной комплектации.*

*С условиями гарантии ознакомлен и согласен.*

**ВНИМАНИЕ! Гарантийный талон недействителен без печати продавца.**

Поддержка: [www.lenco.ru](http://www.lenco.ru)

**ATTENZIONE:**

L'utilizzo di controlli o regolazioni o l'esecuzione di procedure diverse da quelle specificate può causare l'esposizione a radiazioni pericolose.

**PRECAUZIONI PRIMA DELL'USO****CONSERVARE QUESTE ISTRUZIONI:**

1. Non coprire o bloccare le aperture di ventilazione. Quando si posiziona il dispositivo su uno scaffale, lasciare uno spazio libero di 5 cm (2") attorno all'intero perimetro.
2. Installare secondo quanto riportato nel manuale fornito.
3. Tenere il dispositivo lontano da sorgenti termiche come radiatori, termosifoni, stufe, candele e altri prodotti che generano calore o fiamme libere. Il dispositivo può essere utilizzato solo in climi moderati. Evitare ambienti estremamente freddi o caldi. Temperatura operativa compresa tra 0° e 35°C.
4. Evitare l'uso del dispositivo in presenza di forti campi magnetici.
5. Le scariche elettrostatiche possono interferire con il normale utilizzo di questo dispositivo. In tal caso, è sufficiente ripristinare e riavviare il dispositivo seguendo il manuale di istruzioni. Durante la trasmissione di file, maneggiarlo con cura e operare in un ambiente privo di elettricità statica.
6. **Avviso!** Non inserire mai oggetti nel prodotto attraverso le prese d'aria o le aperture. All'interno del prodotto sono presenti tensioni elevate e l'inserimento di un oggetto può provocare scariche elettriche e/o cortocircuiti. Per lo stesso motivo, non versare acqua o liquidi sul prodotto.
7. Non utilizzare in aree umide o bagnate come bagni, cucine con vapore o piscine.
8. Non esporre il dispositivo a schizzi o gocciolamenti di liquidi; non poggiare sopra o accanto al dispositivo oggetti contenenti liquidi, ad esempio vasi.
9. Non utilizzare questo dispositivo in caso di condensa. Quando l'unità viene utilizzata in una stanza calda e umida, all'interno dell'unità possono formarsi goccioline d'acqua o condensa e l'unità potrebbe non funzionare correttamente; lasciare l'unità spenta per 1 o 2 ore prima di accenderla: l'unità deve essere asciutta prima di essere alimentata.
10. Sebbene questo dispositivo sia fabbricato con la massima cura e controllato più volte prima di lasciare la fabbrica, è comunque possibile che si verifichino problemi come per qualsiasi altra apparecchiatura elettrica. Se si nota fumo, eccessivo accumulo di calore o altri fenomeni imprevisti, scollegare immediatamente la spina dalla presa di alimentazione principale.
11. Questo dispositivo deve funzionare con una fonte di alimentazione con i valori indicati sull'etichetta delle specifiche. Se non si è sicuri del tipo di alimentazione utilizzata in casa, consultare il rivenditore o la compagnia elettrica locale.
12. Tenere fuori dalla portata degli animali domestici, Ad alcuni animali piace mordere i cavi di alimentazione.
13. Per pulire il dispositivo, utilizzare un panno morbido e asciutto. Non usare solventi o liquidi a base di benzina. Per rimuovere le macchie persistenti, è possibile utilizzare un panno umido con detergente diluito.
14. Il fornitore non è responsabile per danni o perdita di dati causati da malfunzionamento, uso improprio, modifica del dispositivo o sostituzione della batteria.
15. Non interrompere la connessione quando il dispositivo sta formattando o trasferendo file. In caso contrario, i dati potrebbero essere danneggiati o andare persi.
16. Se l'unità dispone della funzione di riproduzione USB, la chiavetta USB deve essere collegata direttamente all'unità. Non utilizzare una prolunga USB perché può causare interferenze con conseguenti anomalie dati.
17. L'etichetta di classificazione è stata contrassegnata sul pannello inferiore o posteriore del dispositivo.
18. Questo dispositivo non è destinato all'uso da parte di persone (compresi i bambini) con disabilità fisiche, sensoriali o mentali, o mancanti di esperienza e conoscenza, a meno che non siano sotto supervisione o abbiano ricevuto istruzioni circa l'uso corretto del dispositivo da parte di chi è responsabile per la loro sicurezza.
19. Questo prodotto è destinato esclusivamente all'uso non professionale e non commerciale o industriale.
20. Assicurarsi che l'unità sia collocata in una posizione stabile. I danni causati dall'uso di questo prodotto in una posizione instabile, vibrazioni o urti o la mancata osservanza di qualsiasi altro avvertimento o precauzione indicati in questo manuale utente non saranno coperti da garanzia.
21. Non rimuovere mai la carcassa di questo dispositivo.
22. Non posizionare mai questo dispositivo su altre apparecchiature elettriche.
23. Non permettere ai bambini di accedere ai sacchetti di plastica.
24. Utilizzare solo collegamenti/accessori specificati dal produttore.
25. Rivolgersi a personale qualificato per l'assistenza. L'assistenza è necessaria quando il dispositivo è stato in qualche modo danneggiato, come il cavo di alimentazione o la spina, quando è stato versato del liquido o

sono caduti oggetti nel dispositivo, quando il dispositivo è stato esposto a pioggia o umidità, non funziona normalmente o è stato abbandonato.

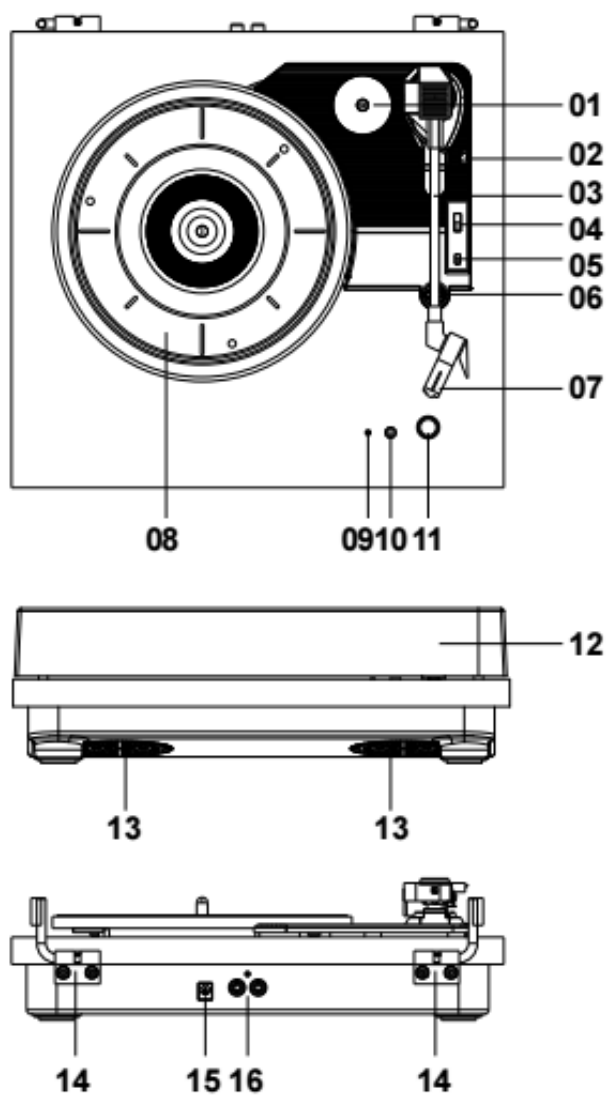
26. L'esposizione prolungata ai suoni ad alto volume dei lettori musicali può causare una perdita temporanea o permanente dell'udito.
27. Se il prodotto viene consegnato con cavo di alimentazione o adattatore di alimentazione CA:
  - In caso di problemi, scollegare il cavo di alimentazione CA e rivolgersi a personale qualificato per l'assistenza.
  - Non calpestare o schiacciare l'alimentatore. Fare molta attenzione, in particolare vicino alle prese e al punto di uscita del cavo. Non posizionare oggetti pesanti sull'alimentatore in quanto potrebbero danneggiarlo. Tenere il dispositivo fuori dalla portata dei bambini. Giocando con il cavo di alimentazione possono infortunarsi seriamente.
  - Scollegare il dispositivo durante i temporali o quando non viene utilizzato per un lungo periodo.
  - La presa di corrente deve essere installata vicino all'apparecchio e deve essere facilmente accessibile.
  - Non sovraccaricare le prese CA né le prolunghes. Il sovraccarico può causare incendi o scariche elettriche.
  - I dispositivi con struttura di classe 1 devono essere collegati a una presa di rete con connessione di messa a terra di protezione.
  - I dispositivi con struttura di classe 2 non richiedono un collegamento a terra.
  - Tenere sempre la spina quando la si estrae dalla presa di rete. Non tirare il cavo di alimentazione. Ciò può causare un cortocircuito.
  - Non utilizzare un cavo o una presa di alimentazione danneggiati o una presa non fissata. Tale azione potrebbe provocare incendi o scariche elettriche.
28. Se il prodotto contiene o viene consegnato con un telecomando contenente batterie a pulsante/a bottone: Avvertenza:
  - "Non ingerire la batteria, pericolo di ustioni chimiche" o funzionamento equivalente.
  - (Il telecomando in dotazione con) Il presente prodotto contiene una pila a bottone. Se ingerita, la batteria può causare gravi ustioni interne in sole 2 ore e portare alla morte.
  - Tenere le batterie, nuove o usate, fuori dalla portata dei bambini.
  - Se il vano batteria non si chiude completamente, interrompere l'uso del dispositivo e tenerlo fuori della portata dei bambini.
  - Se si teme che delle batterie possano essere state inghiottite o essere venute a contatto con qualsiasi parte interna del corpo, contattare immediatamente un medico.
29. Precauzioni sull'uso delle batterie:
  - Pericolo di esplosione se la batteria viene sostituita in modo errato. Sostituire solo con lo stesso tipo o equivalente.
  - Non sottoporre le batterie a temperature estreme alte o basse, bassa pressione dell'aria ad alta quota durante l'uso, lo stoccaggio o il trasporto.
  - La sostituzione con una batteria di tipo errato può provocare un'esplosione o la perdita di liquidi o gas infiammabili.
  - Lo smaltimento di una batteria nel fuoco o in un forno caldo o lo schiacciamento o il taglio meccanico di una batteria possono provocare un'esplosione.
  - Lasciare una batteria in un ambiente circostante a temperatura estremamente elevata può provocare un'esplosione o una perdita di liquidi o gas infiammabili.
  - Una batteria soggetta a una pressione dell'aria estremamente bassa può provocare un'esplosione o una perdita di liquidi o gas infiammabili.
  - È necessario prestare attenzione agli aspetti ambientali legati allo smaltimento delle batterie.

#### **INSTALLAZIONE**

- Disimballare tutte le parti e rimuovere il materiale protettivo.
- Non collegare l'unità alla rete elettrica prima di avere controllato la tensione di rete e prima che siano stati effettuati tutti gli altri collegamenti.

**\* Queste istruzioni sono relative solo ai prodotti che utilizzano il cavo di alimentazione o l'alimentatore CA.**

## 1. PARTI GIREVOLI:



1. Adattatore 45RPM
2. Leva di sollevamento
3. Braccio girevole
4. Selettore velocità
5. Selettore controllo stop automatico
6. Bracco girevole
7. Testina Bustina Foto
8. Piatto girevole
9. Spia LED accensione/spegnimento
10. Jack cuffie 3,5mm
11. Selettore accensione/spegnimento e controllo volume
12. Rimuovere il coperchio antipolvere
13. Altoparlanti
14. Cardini
15. Jack adattatore alimentazione
16. Jack uscita RCA

## **2. Ascoltare un disco**

1. Sollevare il coperchio antipolvere
2. Ruotare il selettore Accensione/Spengimento/Volume in senso orario per accendere l'unità.
3. Porre una registrazione sul piatto girevole e importare il lettore e impostare la velocità del rettore che corrisponde.

**Nota:** Quando si riproduce un singolo (un disco da 45 giri) e/o dischi con grandi fori centrali, utilizzare l'adattatore da 45 giri.

4. Rimuovere la copertura protettiva della testina dell'ago e sbloccare il blocco del braccio dal supporto.
5. Spingere indietro la leva di sollevamento, il braccio si solleverà delicatamente.
6. Spostare con attenzione il braccio nella posizione desiderata sul disco. Se la funzione arresto automatico è accesa, il piatto girevole inizia a ruotare.
7. Rilasciare il braccio sul giradischi spingendo la leva di sollevamento in avanti, il braccio si sposterà verso il disco e la musica inizierà a suonare.

Se l'interruttore di controllo arresto automatico è attivato, la registrazione si interromperà automaticamente al termine. Se l'interruttore di controllo arresto automatico è disattivato, la registrazione NON si interromperà automaticamente al termine; è necessario spingere la leva di sollevamento all'indietro per sollevare il braccio e riposizionarlo nel resto. Quindi spegnere l'alimentazione per arrestare il giradischi dal ruotare.

**Nota:** La funzione ARRESTO AUTOMATICO si applica alla maggior parte dei dischi in vinile a 33 giri/min. Tuttavia, per pochissimi dischi in vinile, si fermerà quando non arriva alla fine, o non si fermerà quando arriva alla fine quando ARRESTO AUTOMATICO è su ATTIVO.

## **3. Connessione RCA**

Collegare il jack di uscita RCA al sistema di altoparlanti esterni (Line in) con il cavo RCA (non fornito) per ascoltare la musica dei dischi in vinile sul sistema di altoparlanti.

## **4. Presa cuffie**

Sul pannello delle funzioni troverai una presa per le cuffie.

Qui puoi collegare le tue cuffie con jack da 3,5 mm. Quando le cuffie sono collegate, l'altoparlante integrato verrà disattivato.

## **5. COME SOSTITUIRE L'AGO**

Per sostituire l'ago fare riferimento alle istruzioni di seguito.

Rimozione dell'ago dalla testina.

1. Posizionare un cacciavite sulla punta del guscio dell'ago e spingere verso il basso nella direzione mostrata nello schizzo "A".
2. Rimuovere il guscio dell'ago tirandolo in avanti e spingendolo verso il basso.

## Inserimento dell'ago

1. Tenere la punta del guscio dell'ago e inserirlo premendo nella direzione illustrata da "B".



|                     |                       |
|---------------------|-----------------------|
| EN                  | IT                    |
| Guide Pins (inside) | Perni guida (interni) |

2. Spingere il guscio della testina dell'ago verso l'alto nella direzione illustrata da "C" finché l'ago non si blocca nella posizione della punta.

|                                |  |
|--------------------------------|--|
| Lenco                          |  |
| Giradischi                     | LS-10  |
| Tipo                           | Trasmissione a cinghia completamente manuale     |
| Motore guida                   | Motore CC  |
| Velocità                       | 33 1/3 rpm, 45 rpm                               |
| Wow and Flutter                | <0,35%   |
| Piatto girevole                | 200mm  |
| Testina                        |  |
| Tipo                           | Testina N-10/Ceramica 402-M208-015               |
| Puntina                        | 0.7 mil  |
| Forza di tracciamento ottimale | 4-6 grammi                                       |
| Uscita                         | 160-380mV(HP-4005)                               |
| Risposta in frequenza          | -28db(10KHz)                                     |
| Diafonia                       | 10db(1KHz)                                       |
| Rapporto segnale-rumore (S/N)  | 40db   |
| Generale                       |  |
| ADATTATORE                     | ingresso AC100-240V~50/60Hz<br>uscita AC5V1000mA |
| PRODOTTO                       | CC5v1000mA                                       |
| Uscita audio (Linea uscita)    | 200-500mv  |
| Consumo di energia             | 6W   |
| Dimensioni                     | 327x315x102mm                                    |
| Peso                           | ca. 2.2KGS LS-10WD                               |
| Peso                           | ca. 2.2KGS LS-10BK                               |

## Alimentatore

**Produttore: Shenzhen RiHuiDa Power Supply Co., Ltd.**

**Numero di modello: RHD10W050100F**

**Utilizzare solo l'alimentazione indicata nel presente manuale.**

| Informazioni   | Valore e precisione  |
|--|--|
| Nome del produttore o marchio commerciale, registrazione commerciale e indirizzo | <b>Brightpower Optoelectronic Tehnology Co., Ltd.</b><br>Yinyong Industrial Zone, Junma Road, Shiyong Village, Hengli Town, Dongguan City, Guangdong Province, China |
| Identificatore del modello   | <b>SW0501000-FM</b>  |
| Tensione in ingresso   | 100-240V   |
| Frequenza in ingresso CA   | 50-60 Hz   |
| Tensione in uscita   | 5V   |
| Corrente in uscita   | 1A   |
| Potenza in uscita  | 6W   |
| Efficienza media attiva  | 75,83%   |
| Efficienza a basso carico (10%)  | 69,05%   |
| Nessun carico Consumo energetico   | 0,055W   |



## Garanzia

Lenco offre assistenza e garanzia in conformità con la legge europea, il che significa che in caso di riparazioni (sia durante che dopo il periodo di garanzia) è necessario contattare il rivenditore locale.

Nota importante: Non è possibile inviare direttamente a Lenco i prodotti da riparare.

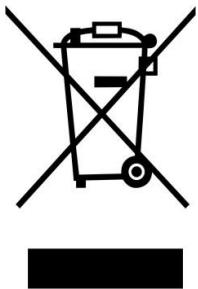
Nota importante: Qualora l'unità venga aperta o manomessa in qualsiasi modo da un centro di assistenza non riconosciuto, la garanzia decade.

Questo dispositivo non è adatto per l'uso professionale. Qualora l'unità venga utilizzata per scopi professionali, tutti gli obblighi del produttore derivanti dalla garanzia sono nulli.

## Clausola di esclusione della responsabilità

Il firmware e/o i componenti hardware vengono aggiornati regolarmente. Pertanto, è possibile che alcune parti relative a istruzioni, specifiche e immagini contenute nella presente documentazione siano diverse da quanto riscontrato nel singolo caso. Tutte le descrizioni incluse in questa guida sono fornite a puro titolo illustrativo e non si applicano necessariamente alla specifica situazione. Nessun diritto legale o contrattuale può derivare dalle descrizioni contenute nel presente libretto di istruzioni.

## Smaltimento a fine vita del dispositivo



Questo simbolo indica che in Europa è vietato gettare il relativo prodotto elettrico o batteria tra i rifiuti domestici. Per il corretto smaltimento a fine vita del prodotto e della batteria, attenersi alle vigenti normative locali per il trattamento dei rifiuti da apparecchiature elettriche ed elettroniche e delle batterie. In tal modo si contribuisce a salvaguardare le risorse naturali e a migliorare gli standard per la protezione dell'ambiente nel trattamento dei rifiuti da apparecchiature elettriche ed elettroniche (Direttiva RAEE).

## Marchio CE



I prodotti con il marchio CE sono conformi alla Direttiva EMC (2014/30/UE) e alla Direttiva Bassa Tensione (2014/35/UE) emanate dalla Commissione della Comunità Europea.

Con la presente, Lenco Benelux BV, Thermiekstraat 1a, 6361 HB Nuth, Paesi Bassi, dichiara che questo prodotto è conforme ai requisiti essenziali.

La dichiarazione di conformità può essere consultata a [techdoc@lenco.com](mailto:techdoc@lenco.com)

## Assistenza

Per ulteriori informazioni e accesso all'helpdesk, visitare il sito [www.lenco.com](http://www.lenco.com)

Lenco Benelux BV, Thermiekstraat 1a, 6361 HB, Nuth, Paesi Bassi.