

# Lenco

## Model SCD-200



**User manual – Portable FM radio with CD MP3 and USB Player**  
**Gebbruikshandleiding – Draagbare FM-radio met CD/MP3/USB-speler**  
**Bedienungsanleitung – Tragbares FM-Radio mit CD/MP3- und USB-Player**  
**Mode d'emploi – Radio FM portative avec CD MP3 et lecteur USB**  
**Manual de usuario – Radio FM portátil con reproductor de CD MP3 y USB**

Index	
English.....	3
Nederlands .....	11
Deutsch .....	20
Français.....	29
Español.....	38

**CAUTION:**

Usage of controls or adjustments or performance of procedures other than those specified herein may result in hazardous radiation exposure.

This unit should not be adjusted or repaired by anyone except qualified service personnel.

**PRECAUTIONS BEFORE USE****KEEP THESE INSTRUCTIONS IN MIND:**

1. Do not use this device near water.
2. Clean only with a slightly damp cloth.
3. Do not cover or block any ventilation openings. When placing the device on a shelf, leave 5 cm (2") free space around the whole device.
4. Install in accordance with the supplied user manual.
5. \* Don't step on or pinch the power adaptor. Be very careful, particularly near the plugs and the cable's exit point. Do not place heavy items on the power adaptor, which may damage it. Keep the entire device out of children's reach! When playing with the power cable, they can seriously injure themselves.
6. \* Unplug this device during lightning storms or when unused for a long period.
7. Keep the device away from heat sources such as radiators, heaters, stoves, candles and other heat-generating products or naked flame.
8. Avoid using the device near strong magnetic fields.
9. Electrostatic discharge can disturb normal usage of this device. If so, simply reset and restart the device following the instruction manual. During file transmission, please handle with care and operate in a static-free environment.
10. Warning! Never insert an object into the product through the vents or openings. High voltage flows through the product and inserting an object can cause electric shock and/or short circuit internal parts. For the same reason, do not spill water or liquid on the product.
11. Do not use in wet or moist areas such as bathrooms, steamy kitchens or near swimming pools.
12. Do not use this device when condensation may occur.
13. Although this device is manufactured with the utmost care and checked several times before leaving the factory, it is still possible that problems may occur, as with all electrical appliances. If you notice smoke, an excessive build-up of heat or any other unexpected phenomena, you should disconnect the plug from the main power socket immediately.
14. This device must operate on a power source as specified on the specification label. If you are not sure of the type of power supply used in your home, consult your dealer or local power company.
15. \* The socket outlet must be installed near the equipment and must be easily accessible.
16. \* Do not overload ac outlets or extension cords. Overloading can cause fire or electric shock.
17. \* Devices with class 1 construction should be connected to a main socket outlet with a protective earthed connection.
18. \* Devices with class 2 construction do not require a earthed connection.
19. Keep away from rodents. Rodents enjoy biting on power cords.
20. \* Always hold the plug when pulling it out of the main supply socket. Do not pull the power cord. This can cause a short circuit.
21. Avoid placing the device on any surfaces that may be subject to vibrations or shocks.
22. To clean the device, use a soft dry cloth. Do not use solvents or petrol based fluids. To remove severe stains, you may use a damp cloth with dilute detergent.
23. The supplier is not responsible for damage or lost data caused by malfunction, misuse, modification of the device or battery replacement.
24. Do not interrupt the connection when the device is formatting or transferring files. Otherwise, data may be corrupted or lost.
25. If the unit has USB playback function, the usb memory stick should be plugged into the unit directly. Don't use an usb extension cable because it can cause interference resulting in failing of data.
26. The apparatus shall not be exposed to dripping or splashing and make sure that no objects filled with liquids, such as vases, are placed on or near the apparatus.
27. \* To completely disconnect the power input, the mains plug of the apparatus shall be disconnected from the mains, as the disconnect device is the mains plug of apparatus.
28. If the unit works with battery, Battery shall not be exposed to excessive heat such as sunshine, fire or the like.
29. Attention should be drawn to the environmental aspects of battery disposal.
30. The apparatus can only be used in moderate extremely cold or climates warm environments should be avoided.
31. The rating label has been marked on the bottom or back panel of the apparatus.
32. This device is not intended for use by people (including children) with physical, sensory or mental disabilities, or a lack of experience and knowledge, unless they're under supervision or have received instructions about the correct use of the device by the person who is responsible for their safety.
33. This product is intended for non professional use only and not for commercial or industrial use.

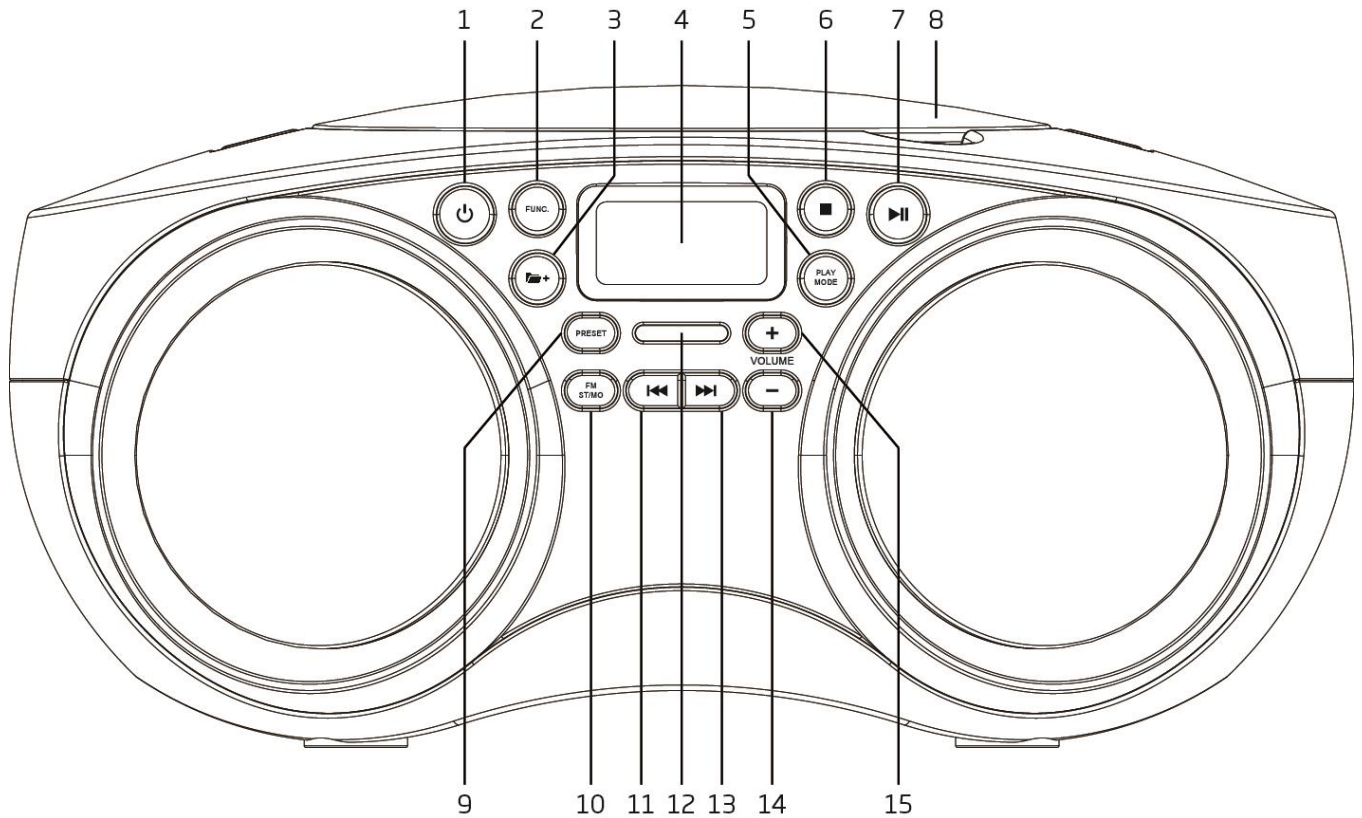
34. Make sure the unit is adjusted to a stable position. Damage caused by using this product in an unstable position or by failure to follow any other warning or precaution contained within this user manual will not be covered by warranty.
35. Never remove the casing of this apparatus.
36. Never place this apparatus on other electrical equipment.
37. Do not use or store this product in a place where it is subject to direct sunlight, heat, excessive dust or vibration.
38. Do not allow children access to plastic bags.
39. Only use attachments/accessories specified by the manufacturer.
40. Refer all servicing to qualified service personnel. Servicing is required when the apparatus has been damaged in any way, such as the power supply cord or the plug, when liquid has been spilled or objects have fallen into the apparatus, when the apparatus has been exposed to rain or moisture, does not operate normally, or has been dropped.
41. \*Do not use a damaged power cord or plug or a loose outlet. Doing so may result in fire or electric shock.
42. Prolonged exposure to loud sounds from personal music players may lead to temporary or permanent hearing loss.

## **INSTALLATION**

- Unpack all parts and remove protective material.
- \*Do not connect the unit to the mains before checking the mains voltage and before all other connections have been made.

**\* These instructions are related only to products using power cable or AC power adaptor.**

## FRONT PANEL



1. **STANDBY**

Press to turn on the unit. Press again to turn off and go to Standby mode
2. **FUNC.**

Press to choose different modes of operation: FM/CD/USB/AUX IN
3. **FOLDER +** +
 

Press to change to the next folder (MP3 file only)
4. **DISPLAY**

Display the unit operation status and information
5. **PLAY MODE**

Press to change to different playback modes of operation
6. **STOP**

Press to stop the CD/USB playback operation
7. **PLAY/PAUSE**

FM: Press and hold to start auto-scanning and store all available FM stations  
 CD/USB: Press to toggle between pause and resume playback operation
8. **CD DISC COMPARTMENT DOOR**
9. **PRESET**

Press to tune to the next FM preset station
10. **FM ST/MO**

FM: Press toggle between stereo and force mono when FM station is received
11. **PREVIOUS**

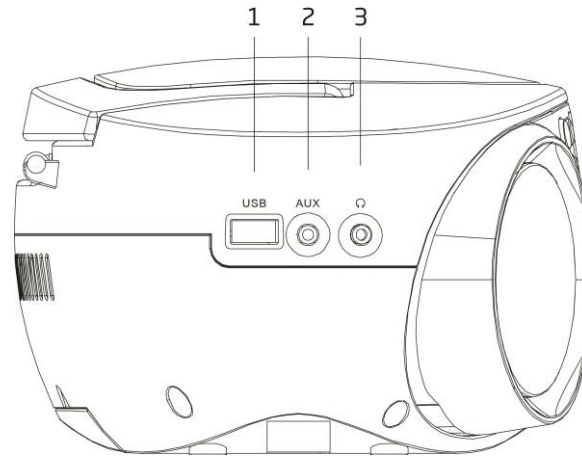
FM: Press to tune to a different frequency. Press and hold to scan the next available station  
 CD/USB: Press to skip to the previous track
12. **Power LED**
13. **NEXT**

FM: Press to tune to a different frequency. Press and hold to scan the next available station  
 CD/USB: Press to skip to the next track
14. **VOLUME -**

Decrease the main volume
15. **VOLUME +**

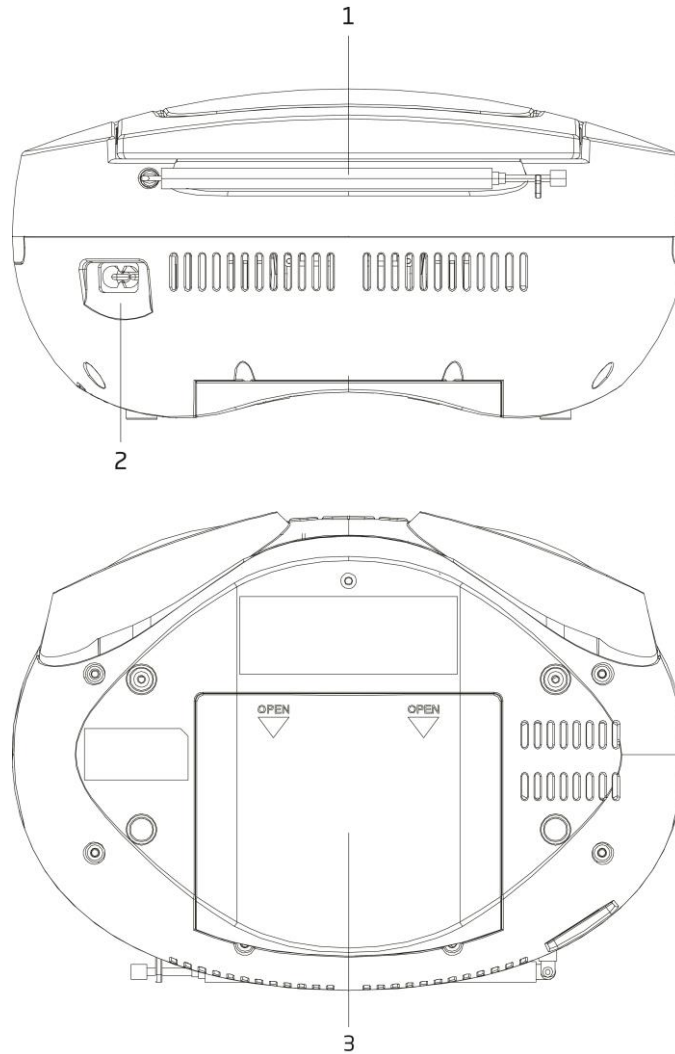
Increase the main volume

## SIDE




1. USB INPUT
2. AUX IN  
Connect to external audio player
3. HEADPHONE OUT JACK  
Connect to the external headphone

## REAR & BOTTOM



1. ANTENNA  
The antenna should be extended to ensure a good FM reception
2. ~AC IN  
Connect the power cord to this jack
3. BATTERY COMPARTMENT DOOR

## CONNECTING TO THE POWER SUPPLY

1. Connect the end of the detachable power cord to the unit rear panel ~ AC IN jack and the other end to the AC outlet.
2. Press the STANDBY  button to turn on the unit.



## BATTERY POWERED USAGE

For DC operation, firstly remove the AC plug from the AC outlet and disconnect the AC cord from the ~ AC IN jack. Then insert 6pcs size C (UM-2) batteries (NOT supplied) into the battery compartment.

Note:

- Since the unit draws a little power from the batteries standby mode, remove the batteries if the unit is not going to be used for a long time.

## BASIC OPERATION

Press the STANDBY  button to turn on the unit. To turn off, press the STANDBY  button again.

## FM/CD/USB/AUX IN

Press the FUNC. button to select between different sources.

## Volume Control


Press the VOLUME +/- buttons to change the volume.

## Adjusting the Antenna





The antenna at the rear panel of the unit should be fully extended to ensure a good FM reception. Alter the antenna position for the best reception.

## FM RADIO OPERATION

### Auto Scan



1. Turn on the unit in FM mode.
2. Press and hold the  button to start auto-scanning and saving the available stations (max. 30 storage).

### Manual Scan

1. Press the PREVIOUS  or NEXT  button repeatedly to tune to a different frequency.
2. Alternatively press and hold the PREVIOUS  or NEXT  button to automatically search to the next available station.

### Storing FM Presets

You can save up to 30 FM presets.

1. Tune to the station you wish to store.
2. Press and hold the PRESET button. Flashing preset station number is displayed.
3. Press the PREVIOUS  or NEXT  button to a preset number that you want to store. Then press the PRESET button to save.

### Recall FM Presets

Press the PRESET button to tune to the next FM preset station.

### Stereo/Force Mono Selection

When receiving a stereo broadcast FM station, press the FM ST/MO button will switch between stereo audio and force mono audio.

## CD/USB OPERATION


### Loading and Playing CD Disc

Open the CD door. Install a disc with the CD label side facing up. Close the CD door. Press the FUNC. button to CD mode. After reading, the total number of tracks will be shown on the display and it will automatically start to play.


### Reading and Playing USB Device

Insert a USB device into the USB input jack. Press the FUNC. button to USB mode. After reading the total number of tracks will be shown on the display. It will automatically start to play.

### Play/Pause Control

To pause playback press the PLAY/PAUSE  button. Press the button again to resume playback.

### Stop Control

To stop playback press the STOP  button.

### Skip Track

During playback press the PREVIOUS  or NEXT  button to skip to the previous or next track.

### High-Speed Music Search

During playback press & hold the PREVIOUS ◀◀ or NEXT ▶▶ button to start high-speed searching. When you release the PREVIOUS ◀◀ or NEXT ▶▶ button normal speed playback will resume.

### Repeat Play/Random Play

#### CD Disc mode

During playback press the PLAY MODE button once, the display shows "REPEAT1". The current track will be played repeatedly.

When pressing the PLAY MODE button again, the display shows "REPEAT ALL". All tracks will be played repeatedly.

When pressing the PLAY MODE button again, the display shows "RAND". All tracks will be played in random sequence.

When pressing the PLAY MODE button again, the unit will resume to normal playback.

#### MP3 Disc or MP3 USB mode

During playback press the PLAY MODE button once, the display shows "REPEAT1". The current track will be played repeatedly.

When pressing the PLAY MODE button again, the display shows "REPEAT FOLDER". All tracks in the current folder will be played repeatedly.

When pressing the PLAY MODE button again, the display shows "REPEAT ALL". All tracks will be played repeatedly.

When pressing the PLAY MODE button again, the display shows "RAND". All tracks will be played in random sequence.


When pressing the PLAY MODE button again, the unit will resume to normal playback.


### Programmed Playback

This unit can be programmed to play a sequence of tracks selected.

1. Insert a CD disc and in stop mode press the PLAY MODE. "PROG" is shown with program number flashing on the display.
  2. Press the PREVIOUS ◀◀ or NEXT ▶▶ button to select the desired track.
  3. Press the PLAY MODE button to save the desired track.
  4. Repeat steps 2-4 to program up to 20 programmed tracks.
  5. Press the PLAY/PAUSE ▶|| button to start playing the programmed tracks.
  6. To clear the program play, press the STOP ■ button twice or change to another mode.
  7. During program play you can also do the "Repeat One" or "Repeat All" operation, however random play is not supported.
- For MP3 disc or MP3 USB, you can program up to 99 tracks.

### Folder Select (MP3 file only)

During MP3 playback press the FOLDER +  + button to change to the next folder.

In stop mode press the FOLDER +  + button to change to the next folder. Then press the PREVIOUS ◀◀ or NEXT ▶▶ button to select your desired track to play. Press the PLAY/PAUSE ▶|| button to start track playback.

Note:


- For MP3 playback, a maximum of 99 folders with a maximum of 999 files is supported.
- Due to the USB file read/write mechanism, the first file written to the usb device will be played first and the last file written will be played last. (The unit will not sort alphabetically)

### AUX IN

This allows you to connect an external sound source.

1. Plug a 3.5mm audio cable (not included) into your external player's line out and the other end into the AUX jack.
2. Press the FUNC. button to enter AUX mode. Display shows "AU".
3. Start your external player to play music.
4. The unit will output the sound.

### ENERGY SAVING

This unit complies with the ERP2 requirement, which means that this unit will go into standby mode if no music is played during 15 minutes. To reactivate the unit, press the STANDBY  button.

### ACCESSORIES

- Power cord x 1
- Instruction manual x 1



## Trouble Shooting

### No power

- Ensure that the mains cable is securely connected.
- Ensure that the unit is switched on.

### The unit does not respond when pressing any buttons.

- Remove the batteries (when inserted) and remove the powercord for a minute. Then reinsert the batteries.

### No sound output

- Turn up the volume with VOL+.

### Disc in place but the unit won't play

- Ensure that the disc label is facing up.
- Ensure that the disc is clean.
- PAUSE mode may be activated, deactivate it.
- Disc may be damaged or dirty; check and clean the disc.

### FM reception

- Ensure the FM telescopic antenna is fully extended.
- Electrical interference in your home can cause poor reception. Move the unit away from them (especially those with motors and transformers).

### The unit switches off automatically during play

- Increase the volume level of your connected sound source (DVD player/TV etc.)

### Sound interference coming from the speakers

- Move any wireless devices (mobile phone, bluetooth device etc.) away from the unit.

### TECHNICAL SPECIFICATIONS

FM radio frequency range	87.5-108MHz
AC power input	230V~, 50Hz
Power consumption	13W
Speaker output power	2 x 1W RMS
USB	USB 2.0 type A socket
Aux in	3.5mm stereo socket
Headphone out	3.5mm stereo socket
Unit dimensions (L x D x H)	280 x 183 x 136mm
Total weight	1.2kg

- The specifications apply only as a reference; therefore the sizes and weight may vary.
- Our products are improved continuously. The specifications and functions may be changed without prior notice

## 1. Guarantee

Lenco offers service and warranty in accordance to European law, which means that in case of repairs (both during and after the warranty period) you should contact your local dealer.

Important note: It is not possible to send products that need repairs to Lenco directly.

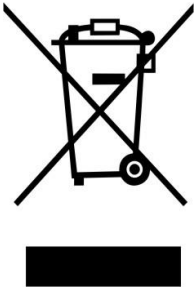
Important note: If this unit is opened or accessed by a non-official service center in any way, the warranty expires.

This device is not suitable for professional use. In case of professional use, all warranty obligations of the manufacturer will be voided.

## 2. Disclaimer

Updates to Firmware and/or hardware components are made regularly. Therefore some of the instruction, specifications and pictures in this documentation may differ slightly from your particular situation. All items described in this guide for illustration purposes only and may not apply to particular situation. No legal right or entitlements may be obtained from the description made in this manual.

## 3. Disposal of the Old Device



This symbol indicates that the relevant electrical product or battery should not be disposed of as general household waste in Europe. To ensure the correct waste treatment of the product and battery, please dispose them in accordance to any applicable local laws of requirement for disposal of electrical equipment or batteries. In so doing, you will help to conserve natural resources and improve standards of environmental protection in treatment and disposal of electrical waste (Waste Electrical and Electronic Equipment Directive).

## 4. CE Marking

Hereby, Lenco Benelux B.V., Thermiekstraat 1a, 6361 HB Nuth, The Netherlands, declares that this product is in compliance with the essential EU directive requirements.

The declaration of conformity may be consulted via [techdoc@commaxxgroup.com](mailto:techdoc@commaxxgroup.com)



## 5. Service

For more information and helpdesk support, please visit [www.lenco.com](http://www.lenco.com)

Lenco Benelux BV, Thermiekstraat 1a, 6361 HB, The Netherlands.

**LET OP:**

Gebruik van bedieningen of afstellingen of uitvoer van procedures anders dan gespecificeerd in deze documentatie kan leiden tot blootstelling aan schadelijke straling.

Dit apparaat dient uitsluitend te worden aangepast of gerepareerd door gekwalificeerd onderhoudspersoneel.

**VOORZORGSMAATREGELEN VOOR GEBRUIK****ONTHOUD DE VOLGENDE INSTRUCTIES:**

1. Gebruik dit apparaat niet in de buurt van water.
2. Reinig het uitsluitend met een licht vochtige doek.
3. Bedek of blokkeer de ventilatie-openingen niet. Wanneer u het apparaat op een schap plaatst, dient u 5 cm (2") vrije ruimte rondom het gehele apparaat te behouden.
4. Installeer het product volgens de meegeleverde gebruikershandleiding.
5. \*Nooit op de stroomadapter stappen of deze indrukken. Wees voornamelijk voorzichtig in de buurt van de stekkers en het punt waar de kabel uit het apparaat komt. Plaats geen zware voorwerpen op de stroomadapter, om beschadiging ervan te voorkomen. Houd het gehele apparaat buiten bereik van kinderen! Wanneer kinderen met de voedingskabel spelen, kunnen zij ernstig letsel oplopen.
6. \*Haal de stekker uit het stopcontact tijdens onweer of wanneer u deze langere tijd niet gebruikt.
7. Houd het apparaat uit de buurt van hittebronnen, zoals radiatoren, verwarmingen, kachels, kaarsen en andere hittegenererende producten of naakte vlam.
8. Gebruik dit apparaat niet in de buurt van krachtige magnetische velden.
9. Elektrostatische ontlading kan normaal gebruik van dit apparaat verstoren. U hoeft het apparaat in dit geval slechts te resetten en opnieuw op te starten volgens de gebruikershandleiding. Ben a.u.b. voorzichtig tijdens bestandsoverdracht en gebruik het product in een omgeving zonder statische interferentie.
10. Waarschuwing! Steek nooit een voorwerp via de ventilatie- of andere openingen in het product. Er is hoogspanning in het product aanwezig en als u er een object insteekt, kan dat een elektrische schok veroorzaken en/of kortsluiting in de interne onderdelen. Mors om dezelfde reden geen water of vloeistof op het product.
11. Gebruik het toestel niet in vochtige ruimtes, zoals badkamers, stomende keukens of in de buurt van zwembaden.
12. Gebruik dit apparaat niet wanneer condensatie kan optreden.
13. Alhoewel dit apparaat met grote zorg gefabriceerd en verschillende keren geïnspecteerd is voordat het de fabriek verlaat, is het nog steeds mogelijk dat er problemen optreden, zoals met alle elektrische apparaten. Als u rook, een overmatige hitteontwikkeling of enig ander onverwacht verschijnsel, moet u onmiddellijk de stekker van het netsnoer uit het stopcontact halen.
14. Dit apparaat moet aangedreven worden door een voedingsbron, zoals aangegeven op het specificatieplaatje. Als u twijfelt over het type voeding dat gebruikt wordt in uw huis, raadpleeg dan a.u.b. uw dealer of plaatselijk energiebedrijf.
15. \*Het stopcontact moet in de buurt van de apparatuur zijn geïnstalleerd en eenvoudig te bereiken zijn.
16. \*Overbelast stopcontacten of verlengsnoeren niet. Overbelasting kan brand of een elektrische schok veroorzaken.
17. \*Apparaten met een Klasse 1 structuur dienen te worden aangesloten op een stopcontact met een beschermende aardverbinding.
18. \*Apparaten met een Klasse 2 structuur vereisen geen aardverbinding.
19. Houd ze uit de buurt van knaagdieren. Knaagdieren knauwen graag aan voedingskabels.
20. \*Houd altijd de stekker vast wanneer u deze uit het stopcontact trekt. Trek nooit aan de voedingskabel. Dit kan tot een kortsluiting leiden.
21. Vermijd om het toestel te plaatsen op een ondergrond die blootgesteld kan worden aan trillingen of schokken.
22. Gebruik een zacht, droog doekje om het apparaat te reinigen. Gebruik geen oplosmiddelen of op benzine gebaseerde vloeistoffen. U kunt een vochtig doekje met verdund schoonmaakmiddel gebruiken om hardnekkige vlekken te verwijderen.
23. De leverancier is niet verantwoordelijk voor schade of verloren gegevens veroorzaakt door storing, misbruik, modificatie van het apparaat of batterijvervanging.
24. Onderbreek nooit de verbinding wanneer het apparaat formatteert of bestanden overdraagt. De gegevens kunnen anders corrupt of verloren raken.
25. Indien het apparaat een USB-afspeelfunctie heeft, moet de USB-geheugenstick rechtstreeks op het apparaat worden aangesloten. Gebruik geen USB-verlengkabel, omdat die kan leiden tot storingen met foutieve gegevens als gevolg.
26. Het apparaat mag niet worden blootgesteld aan druppels of spatten en zorg ervoor dat er geen met vloeistof gevulde voorwerpen, zoals vazen, op of nabij het apparaat zijn geplaatst.
27. \*Om de verbinding met de stroomaansluiting volledig te verbreken, moet de stekker van het apparaat uit het stopcontact worden gehaald, omdat de stekker van het apparaat de hoofdschakelaar is.
28. Indien het apparaat op batterijen kan werken, dan mogen de batterijen niet aan overmatige hitte, zoals zonlicht, open vuur e.d. worden blootgesteld.
29. Aandacht voor het milieu is nodig bij het verwijderen van de batterijen.

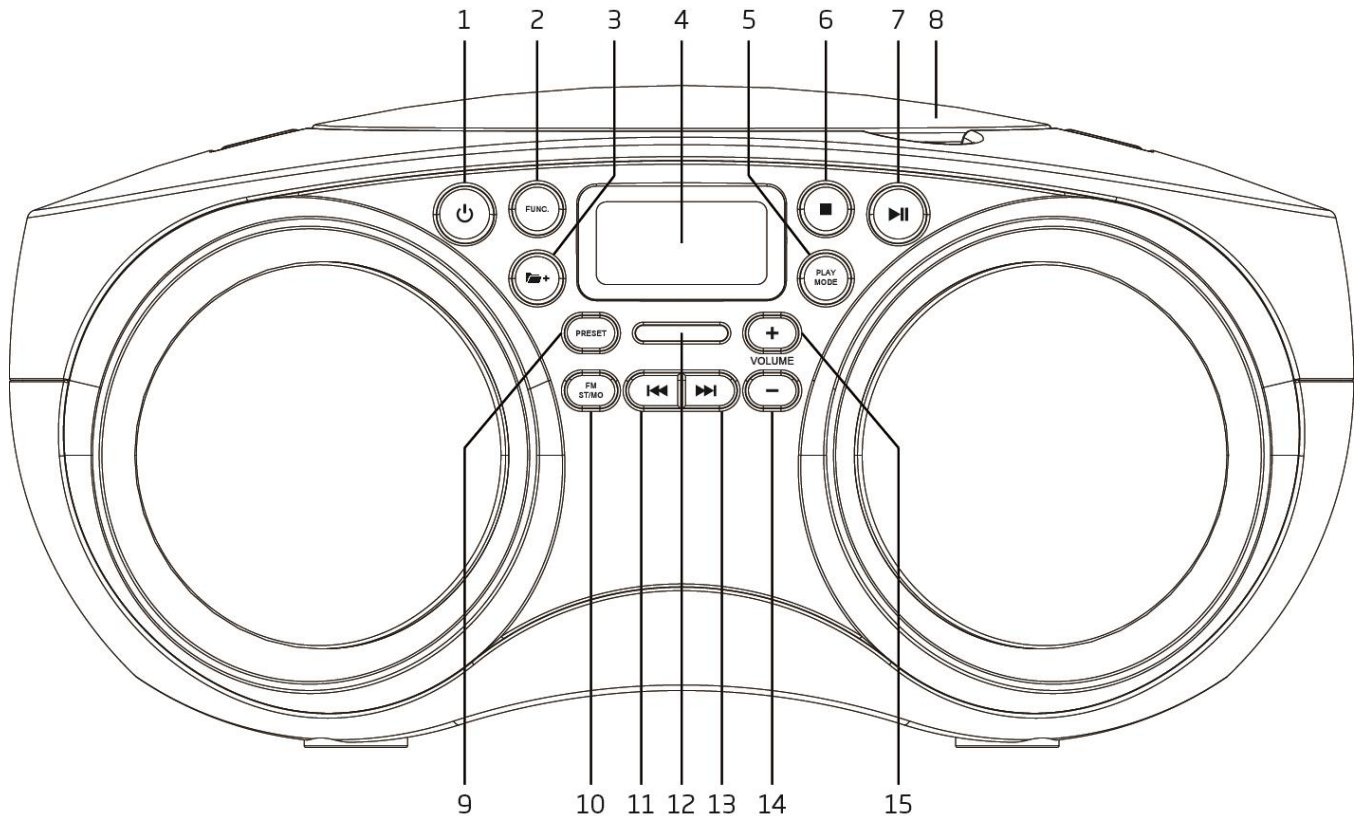
30. Het apparaat kan alleen worden gebruikt in gematigde klimaten. Extreem koude of warme omgevingen moeten worden vermeden.
31. Het nominale specificatielabel is te vinden op het paneel aan de onder- of achterkant van het apparaat.
32. Dit apparaat is niet bestemd voor gebruik door mensen (inclusief kinderen) met fysieke, zintuiglijke of geestelijke gebreken of gebrek aan kennis en ervaring, tenzij zij onder toezicht staan of instructies hebben over het juiste gebruik van het apparaat hebben gekregen van de persoon die verantwoordelijk is voor hun veiligheid.
33. Dit product is alleen voor niet-professioneel gebruik bedoeld en niet voor commercieel of industrieel gebruik.
34. Verzekeer u ervan dat het apparaat in een stabiele positie staat opgesteld. Schade, veroorzaakt door het gebruik van dit product in een onstabiele positie, of door het niet naleven van waarschuwingen of voorzorgsmaatregelen genoemd in deze handleiding, valt niet onder de garantie.
35. Verwijder nooit de behuizing van dit apparaat.
36. Plaats dit apparaat nooit op andere elektrische apparatuur.
37. Dit product niet gebruiken of opslaan op plaatsen waar het wordt blootgesteld aan direct zonlicht, hitte, buitensporig veel stof of trillingen.
38. Geef kinderen geen gelegenheid in aanraking met plastic zakken te komen.
39. Gebruik uitsluitend uitbreidingen/accessoires gespecificeerd door de fabrikant.
40. Laat alle reparaties over aan gekwalificeerd onderhoudspersoneel. Onderhoud is vereist als het toestel hoe dan ook is beschadigd, zoals bijvoorbeeld het netsnoer of de stekker, wanneer er vloeistof of een voorwerp in het apparaat is terechtgekomen, wanneer het apparaat is blootgesteld aan regen of vocht, als het niet normaal werkt of is gevallen.
41. \*Gebruik nooit een beschadigde voedingskabel of stekker of een los stopcontact. Dit vormt namelijk een risico op brand of elektrische schokken.
42. Langdurige blootstelling aan luid geluid van persoonlijke muzikspelers kan leiden tot tijdelijke of permanente gehoorbeschadiging.

#### **INSTALLATIE**

- Pak alle onderdelen uit en verwijder de beschermende materialen.
- \*Sluit het apparaat niet aan op het stopcontact, voordat u de netspanning hebt gecontroleerd en voordat alle andere aansluitingen zijn gemaakt.

**\* deze instructies zijn enkel van toepassing voor producten met een voedingskabel of een AC voedingsadapter.**

## VOORPANEEL



1. **STAND-BY**

Indrukken om het apparaat in te schakelen. Nogmaals indrukken om uit en op stand-by te schakelen
2. **FUNC.**

Indrukken om van gebruiksmodus te wisselen: FM/CD/USB/AUX-IN
3. **FOLDER +**

Indrukken om de volgende folder te selecteren (alleen MP3-bestanden)
4. **SCHERM**

Toont de gebruiksmodus van en informatie over het apparaat
5. **AFSPEELMODUS**

Indrukken om van afspeelmodus te wisselen
6. **STOP**

Indrukken om de CD-/USB-afspeelmodus te stoppen
7. **AFSPELEN/PAUZE**

FM: Ingedrukt houden om een automatische scan te starten en alle beschikbare FM-stations op te slaan  
 CD/USB: Indrukken om het afspelen te pauzeren en hervatten
8. **KLEPJE VAN DISKHOUDER**
9. **VOORKEUZE**

Indrukken om op het volgende FM-voorkeuzestation af te stemmen
10. **FM ST/MO**

FM: Indrukken om te wisselen tussen stereo en geforceerd mono wanneer een FM-station wordt ontvangen
11. **VORIGE**

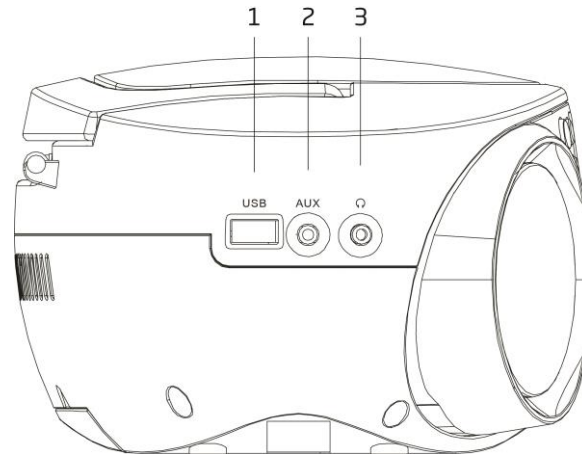
FM: Indrukken om op een andere frequentie af te stemmen. Ingedrukt houden om naar het volgende beschikbare station te zoeken  
 CD/USB: Indrukken om het vorige nummer te selecteren
12. **Aan-/uit-LED**
13. **VOLGENDE**

FM: Indrukken om op een andere frequentie af te stemmen. Ingedrukt houden om naar het volgende beschikbare station te zoeken  
 CD/USB: Indrukken om het volgende nummer te selecteren
14. **VOLUME -**

Het hoofdvolume verlagen
15. **VOLUME +**

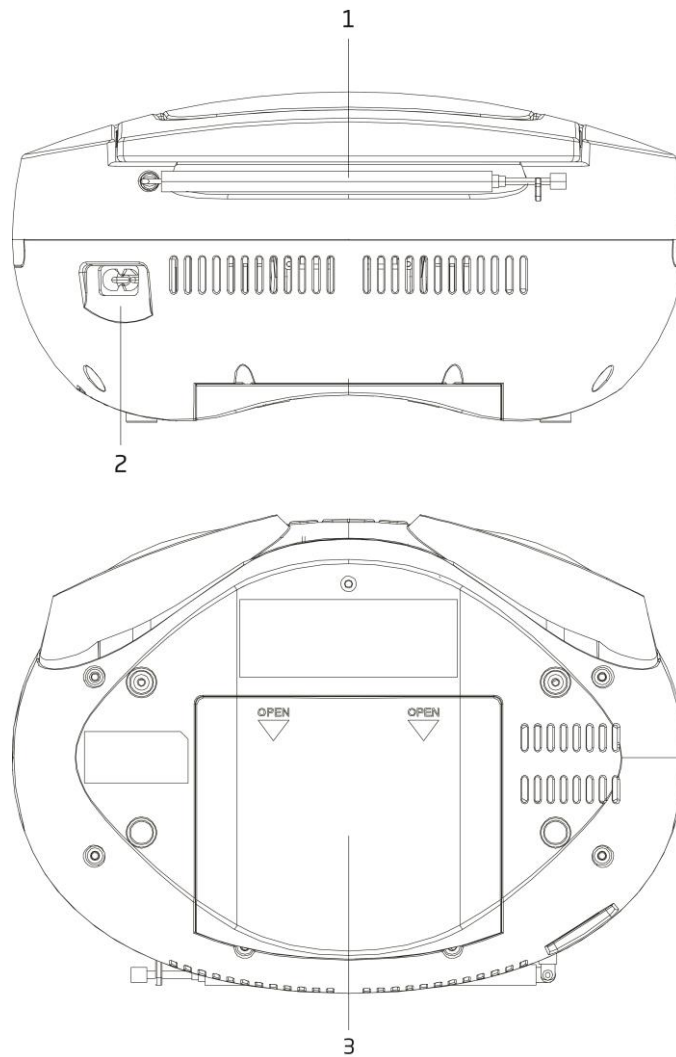
Het hoofdvolume verhogen

## ZIJKANT




1. USB-INGANG
2. AUX IN  
Sluit hier een externe audiospeler aan
3. HOOFDTELEFOONUITGANG  
Sluit hier een externe hoofdtelefoon aan

## ACHER- EN ONDERZIJDE



1. ANTENNE  
Trek de antenne volledig uit voor de beste FM-ontvangst
2. ~AC-IN  
Sluit de voedingskabel aan op deze ingang
3. KLEPJE VAN BATTERIJVAK

## AANSLUITING OP DE VOEDING

1. Sluit het ene uiteinde van de afneembare voedingskabel aan op de ingang AC~IN op het achterpaneel van het apparaat en het andere uiteinde op het AC stopcontact.
2. Druk op de toets STANDBY  om het apparaat in te schakelen.



## GEBRUIK OP BATTERIJEN

Om het apparaat op DC-voeding te gebruiken, dient u eerst de AC stekker uit het AC stopcontact te trekken en de AC voedingskabel los te koppelen van de ingang ~AC IN. Installeer vervolgens 6 stuks type C (UM-2) batterijen (NIET inbegrepen) in het batterijvak.

Opmerking:

- Omdat het apparaat nog steeds wat batterijvermogen verbruikt wanneer op stand-by geschakeld, dient u de batterijen te verwijderen als u het apparaat voor langere tijd niet gebruikt.

## ALGEMENE BEDIENING

Druk op de toets STANDBY  om het apparaat in te schakelen. Druk nogmaals op de toets STANDBY  om uit te schakelen.

## FM/CD/USB/AUX-IN

Druk op de toets FUNC. om van bron te wisselen.

## Volumeregeling


Druk op de toets VOLUME +/- om het volume aan te passen.

## De antenne aanpassen





De antenne op het achterpaneel van het apparaat dient volledig te worden uitgetrokken voor een goede FM-ontvangst. U kunt de antennepositie aanpassen om de ontvangst te verbeteren.

## FM-RADIOBEDIENING

### Automatische scan



1. Schakel het apparaat in op FM-modus.
2. Houd de toets  ingedrukt om de automatische scan te starten en de beschikbare stations op te slaan (max. 30 geheugenplekken).

### Handmatige scan

1. Druk meerdere keren op de toets VORIGE  of VOLGENDE  om op een andere frequentie af te stemmen.
2. U kunt de toets VORIGE  of VOLGENDE  ook ingedrukt houden om automatisch naar het volgende beschikbare station te zoeken.

### FM-stationsgeheugens opslaan

U kunt tot 30 FM-voorkeuzestations opslaan.

1. Stem af op het station dat u wilt opslaan.
2. Houd de knop PRESET ingedrukt. Het nummer van het voorkeuzestation zal op de display knipperen.
3. Druk op de toets VORIGE  of VOLGENDE  om het voorkeuzenummer te selecteren waar u het station wilt opslaan. Druk vervolgens op de toets PRESET om op te slaan.

### FM-stationsgeheugens herroepen

Druk op de toets PRESET om af te stemmen op het volgende FM-voorkeuzestation.

### Stereo/geforceerd mono selecteren

Wanneer u een FM-station in stereo ontvangt, dan kunt u op de toets FM ST/MO drukken om te wisselen tussen stereo audio en geforceerd mono audio.

## BEDIENING CD/USB

### CD's laden en afspelen

Open het CD-klepje. Plaats een disk met de bedrukte cd-zijde omhoog gericht. Sluit het CD-klepje. Druk op de toets FUNC. om de cd-modus te selecteren. Het totale aantal tracks zal na het inlezen op de display worden weergegeven terwijl het afspelen automatisch wordt gestart.

### USB-apparatuur inlezen en afspelen

Sluit een USB-apparaat aan op de USB-ingangspoort. Druk op de toets FUNC. om de USB-modus te selecteren. Het totale aantal tracks zal na het inlezen op de display worden weergegeven. Het afspelen zal automatisch worden gestart.

### Afspelen/pauzeren

Druk op de toets START/PAUZE  om het afspelen te pauzeren. Druk weer op de toets om het afspelen te hervatten.

## Stoppen

Druk om het afspelen te stoppen op de STOP ■-toets.

## Tracks overslaan

Druk in afspeelmodus op de toets VORIGE ◀◀ of VOLGENDE ▶▶ om over te slaan naar de vorige of volgende track.

## Spoelen

Houd in afspeelmodus de toets VORIGE ◀◀ of VOLGENDE ▶▶ ingedrukt om te spoelen.

Wanneer u de toets VORIGE ◀◀ of VOLGENDE ▶▶ loslaat, dan zal de normale afspeelsnelheid worden hervat.

## Herhalend/willekeurig afspelen

### CD-modus

Druk in afspeelmodus eenmaal op de toets PLAY MODE en de display zal "REPEAT1" (Herhaal 1) weergeven. De huidige track zal herhalend worden afgespeeld.

Wanneer u nogmaals op de toets PLAY MODE drukt, dan zal de display "REPEAT ALL" (Herhaal alles) weergeven. Alle tracks zullen nu worden herhaald.

Wanneer u nog een keer op de toets PLAY MODE drukt, dan zal de display "RAND" (Willekeurig) weergeven. Alle tracks zullen nu in een willekeurige volgorde worden afgespeeld.

Wanneer u nogmaals op de toets PLAY MODE drukt, dan zal het apparaat de normale afspeelmodus hervatten.

### MP3-diskmodus of MP3 USB-modus

Druk in afspeelmodus eenmaal op de toets PLAY MODE en de display zal "REPEAT1" (Herhaal 1) weergeven. De huidige track zal herhalend worden afgespeeld.

Wanneer u nogmaals op de toets PLAY MODE drukt, dan zal de display "REPEAT FOLDER" (Herhaal folder) weergeven. Alle tracks in de huidige folder zullen nu herhaald worden afgespeeld.

Wanneer u nogmaals op de toets PLAY MODE drukt, dan zal de display "REPEAT ALL" (Herhaal alles) weergeven. Alle tracks zullen nu worden herhaald.

Wanneer u nog een keer op de toets PLAY MODE drukt, dan zal de display "RAND" (Willekeurig) weergeven. Alle tracks zullen nu in een willekeurige volgorde worden afgespeeld.

Wanneer u nogmaals op de toets PLAY MODE drukt, dan zal het apparaat de normale afspeelmodus hervatten.

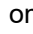
## Geprogrammeerd afspelen

Dit apparaat kan worden geprogrammeerd om een geselecteerde trackvolgorde af te spelen.

1. Laad een cd en druk in stopmodus op de toets PLAY MODE. "PROG" zal op de display worden weergegeven met een knipperend programmeernummer.
  2. Druk op de toets VORIGE ◀◀ of VOLGENDE ▶▶ om de gewenste track te selecteren.
  3. Druk op de toets PLAY MODE om de gewenste track op te slaan.
  4. Herhaal stappen 2-4 om tot op 20 tracks te programmeren.
  5. Druk op de toets START/PAUZE ▶|| om het afspelen van de geprogrammeerde tracks te starten.
  6. Druk tweemaal op de toets STOP ■ of selecteer een andere modus om de programmering te wissen.
  7. U kunt in de geprogrammeerde afspeelmodus ook de functies "Herhaal 1" en "Herhaal alles" gebruiken, maar de willekeurige afspeelmodus wordt niet ondersteund.
- U kunt voor MP3-disks of MP3 USB tot 99 tracks programmeren.

## FOLDER selecteren (alleen MP3-bestanden)

Druk in MP3-afspeelmodus op de toets FOLDER +  + om de volgende folder te selecteren.

Druk in stopmodus op de toets FOLDER +  + om de volgende folder te selecteren. Druk vervolgens op de toets VORIGE ◀◀ of VOLGENDE ▶▶ om de track te selecteren die u wilt afspelen. Druk op de toets START/PAUZE ▶|| om het afspelen van de track te starten.

Opmerking:

- Er wordt voor de MP3-afspeelmodus een maximum van 99 folders met maximaal 999 bestanden ondersteund.
- Wegens het schrijf-/leesmechanisme voor USB-bestanden, wordt het eerste bestand geschreven op het USB-apparaat als eerste afgespeeld en het laatste geschreven bestand als laatste. (Het apparaat zal niet alfabetisch starten)


## AUX IN

U kunt op deze ingang een externe audiobron aansluiten.

1. Sluit een 3,5mm audiokabel (niet inbegrepen) aan op de lijnuitgang van uw externe speler en sluit het andere uiteinde aan op de AUX-ingang.
2. Druk op de toets FUNC. om de AUX-modus te selecteren. De display zal "AU" weergeven.
3. Start uw externe speler om muziek af te spelen.
4. De muziek zal via het apparaat worden afgespeeld.



## **ENERGIEBESPARING**

Dit apparaat voldoet aan de ERP2-vereisten, wat betekent dat het apparaat op stand-by schakelen wanneer er 15 minuten lang geen muziek wordt afgespeeld. Druk op de toets STAND-BY  om het apparaat opnieuw te activeren.

## **ACCESSOIRES**

- Voedingskabel x 1
- Gebruikshandleiding x 1

### Geen spanning

- Zorg ervoor dat de voedingskabel stevig is aangesloten.
- Zorg ervoor dat het apparaat is ingeschakeld.

### Het apparaat reageert niet wanneer er op een toets wordt gedrukt.

- Verwijder de batterijen (wanneer geïnstalleerd) en koppel de voedingskabel voor een minuut los. Installeer vervolgens de batterijen opnieuw.

### Geen geluid

- Verhoog het volume met VOL+.

### De schijf is geplaatst maar het apparaat begint niet af te spelen

- Zorg ervoor dat het label van de schijf naar boven is gericht.
- Zorg ervoor dat de schijf schoon is.
- De PAUZE-modus is misschien geactiveerd en moet worden gedeactiveerd.
- De schijf kan beschadigd of vies zijn; controleer en reinig de schijf.

### FM-ontvangst

- Zorg ervoor dat de uitschuifbare FM-antenne volledig is uitgetrokken.
- Elektrische interferentie in uw huis kan een slechte ontvangst tot gevolg hebben. Verplaats het toestel uit hun buurt (vooral apparaten met motoren en transformatoren).

### Tijdens het afspelen schakelt het apparaat automatisch uit

- Verhoog het volumeniveau van de aangesloten audiobron (DVD-speler, tv, enz.)

### Verstoord geluid klinkt uit de luidsprekers

- Houd draadloze apparatuur (mobiele telefoons, Bluetooth-apparatuur, enz.) uit de buurt van het apparaat.

### TECHNISCHE SPECIFICATIES

Frequentiebereik FM-radio	87,5-108MHz
AC-voedingsingang	230V~, 50Hz
Energieverbruik	13W
Uitgangsvermogen van luidspreker	2 x 1W RMS
USB	USB 2.0 type A poort
Aux in	3,5mm stereo aansluiting
Hoofdtelefoonuitgang	3,5mm stereo aansluiting
Afmetingen van apparaat (L x D x H)	280 x 183 x 136mm
Totaal gewicht	1,2kg

- De specificaties dienen slechts ter referentie; de afmetingen en het gewicht kunnen daarom variëren.
- Onze producten ondergaan een continue verbetering. De specificaties en functies kunnen zonder voorafgaande kennisgeving worden veranderd

## 1. Garantie

Lenco biedt service en garantie aan overeenkomstig met de Europese wetgeving. Dit houdt in dat u, in het geval van reparaties (zowel tijdens als na de garantieperiode), uw lokale handelaar moet contacteren.

Belangrijke opmerking: Het is niet mogelijk om producten die gerepareerd moeten worden direct naar Lenco te sturen.

Belangrijke opmerking: De garantie verloopt als een onofficieel servicecenter het apparaat op wat voor manier dan ook heeft geopend, of er toegang toe heeft gekregen.

Het apparaat is niet geschikt voor professioneel gebruik. In het geval van professioneel gebruik worden alle garantieverplichtingen van de fabrikant nietig verklaard.

## 2. Disclaimer

Er worden regelmatig updates in de firmware en/of hardwarecomponenten gemaakt. Daardoor kunnen gedeelten van de instructie, de specificaties en afbeeldingen in deze documentatie enigszins verschillen van uw eigen situatie. Alle onderwerpen die staan beschreven in deze handleiding zijn bedoeld als illustratie en zijn niet van toepassing op specifieke situaties. Aan de beschrijving in dit document kunnen geen rechten worden ontleend.

## 3. Afvoer van het oude apparaat



Dit symbool geeft aan dat het betreffende elektrische product of de batterij niet moet worden verwijderd als algemeen huishoudelijk afval in Europa. Zorg voor een juiste afvalverwerking door het product en de batterij in overeenstemming met alle van toepassing zijnde lokale wetten voor het verwijderen van elektrische apparatuur of batterijen te verwijderen. Als u dit doet, helpt u de natuurlijke hulpbronnen te behouden en de standaard van milieubescherming te verbeteren bij de behandeling en verwijdering van elektrisch afval (Afgedankte Elektrische en Elektronische Apparatuur).



## 4. CE-markering

Lenco Benelux B.V., Thermiekstraat 1a, 6361 HB Nuth, Nederland, verklaart hierbij dat dit product voldoet aan de vereisten van de essentiële EU-richtlijnen. De conformiteitsverklaring kan worden opgevraagd via [techdoc@commaxxgroup.com](mailto:techdoc@commaxxgroup.com)



## 5. Service

Bezoek voor meer informatie en helpdeskondersteuning [www.lenco.com](http://www.lenco.com)

Lenco Benelux BV, Thermiekstraat 1a, 6361 HB, Nederland.

**ACHTUNG:**

Die zweckentfremdete Bedienung, Benutzung oder Einstellung der Prozeduren kann zu gefährlichen Unfällen durch Strahlen führen.

Dieses Gerät darf außer von qualifizierten Fachleuten von niemand anderem repariert oder eingestellt werden.

**VORSICHTSMASSNAHMEN VOR DER BENUTZUNG****BEFOLGEN SIE IMMER FOLGENDE ANWEISUNGEN:**

1. Benutzen Sie das Gerät nicht in der Nähe von Wasser.
2. Benutzen Sie zur Reinigung ein nur leicht befeuchtetes Tuch.
3. Blockieren Sie keine Lüftungsöffnungen. Wenn Sie das Gerät auf ein Regal stellen, lassen Sie um das gesamte Gerät 5 cm (2") freien Platz.
4. Stellen Sie das Gerät entsprechend den Anweisungen der mitgelieferten Bedienungsanleitung auf.
5. \*Treten Sie nicht auf das Netzteil und klemmen Sie es auch nicht ein. Seien Sie im näheren Bereich des Steckers und der Herausführungen des Kabels besonders vorsichtig. Stellen Sie keine schweren Gegenstände auf das Netzteil, weil es dadurch beschädigt werden könnte. Halten Sie das gesamte Gerät außerhalb der Reichweite von Kindern! Durch Spielen mit dem Netzkabel können sie sich ernsthafte Verletzungen zuziehen.
6. \*Trennen Sie das Gerät während eines Gewitters oder bei längerer Nichtbenutzung vom Netz.
7. Halten Sie das Gerät von Hitzequellen wie Radiatoren, Heizern, Öfen, Kerzen oder anderen hitzeerzeugenden Produkten oder offenen Flammen fern.
8. Meiden Sie bei der Nutzung des Produkts die Nähe starker Magnetfelder.
9. Elektrostatische Entladungen können die normale Verwendung von diesem Gerät stören. Sollte dies geschehen, führen Sie einfach einen Reset aus und starten Sie dann das Gerät entsprechend den Anweisungen dieser Bedienungsanleitung neu. Gehen Sie besonders bei Datenübertragungen mit dem Gerät vorsichtig um und führen Sie diese nur in einer antielektrostatischen Umgebung aus.
10. Warnung! Niemals Gegenstände durch die Lüftungsschlitze oder Öffnungen in das Gerät stecken. Im Gerät sind hohe Spannungen vorhanden und das Einführen von Gegenständen kann zu Stromschlag bzw. zu Kurzschlüssen der internen Teile führen. Aus dem gleichen Grund kein Wasser oder Flüssigkeiten in das Gerät geben.
11. Benutzen Sie das Gerät nicht in nasser oder feuchter Umgebung wie Bad, Dampfküche oder in der Nähe von Schwimmbecken.
12. Benutzen Sie das Gerät nicht bei Kondensationsgefahr.
13. Obwohl dieses Gerät unter größter Sorgfalt und vor Auslieferung mehrmals überprüft wurde, können trotzdem wie bei jedem anderen elektrischen Gerät auch Probleme auftauchen. Trennen Sie das Gerät im Falle einer Rauchentwicklung, starker Hitzeentwicklung oder jeden anderen unnatürlichen Erscheinung sofort vom Netz.
14. Dieses Gerät ist durch eine Stromquelle wie auf dem Typenschild angegeben zu betreiben. Halten Sie bei Unsicherheiten über die Art Ihrer Stromversorgung in Ihrer Wohnung Rücksprache mit Ihrem Händler oder Ihrer Stromzuliefererfirma.
15. \*Die Wandsteckdose muss sich in der Nähe des Geräts befinden und einfach zu erreichen sein.
16. \*Steckdosen und Verlängerungsleitungen nicht überlasten. Eine Überlastung kann zu Brandgefahr bzw. Stromschlägen führen.
17. \*Geräte der Schutzklasse 1 sind an eine Netzsteckdose mit Schutzleiter anzuschließen.
18. \*Geräte der Schutzklasse 2 benötigen keinen Schutzleiteranschluss.
19. Halten Sie Nagetiere vom Gerät fern. Nagetiere lieben es, am Netzkabel zu nagen.
20. \*Halten Sie den Netzstecker in der Hand, wenn Sie ihn aus der Netzsteckdose ziehen. Ziehen Sie ihn nicht durch Zerren am Kabel heraus. Das kann zu einem Kurzschluss führen.
21. Vermeiden Sie es, das Gerät auf Oberflächen aufzustellen, die zu Schwingungen oder Stoß neigen.
22. Verwenden Sie einen trockenen, sauberen Lappen für die Reinigung. Benutzen Sie niemals Lösungsmittel oder Flüssigkeiten auf Ölbasis. Benutzen Sie zum Entfernen hartnäckiger Flecken ein feuchtes Tuch mit mildem Reinigungsmittel.
23. Der Hersteller haftet nicht für Schäden oder Verluste durch Fehlfunktion, Zweckentfremdung oder Modifikation des Geräts oder durch Wechseln der Batterien.
24. Unterbrechen Sie die Verbindung nicht während einer Formatierung oder einer Datenübertragung. Bei Unterbrechung drohen Datenverlust und Datenbeschädigung.
25. Wenn das Gerät eine USB-Wiedergabefunktion besitzt, dann stecken Sie den USB-Stick direkt in das Gerät. Verwenden Sie kein USB-Verlängerungskabel, weil die erhöhte Störanfälligkeit zu Datenverlust führen könnte.
26. Das Gerät darf weder Tropf- noch Spritzwasser ausgesetzt werden und es dürfen keine mit Flüssigkeit gefüllten Behälter wie z.B. Vasen auf das Gerät oder in der Nähe des Gerätes gestellt werden.
27. \*Um das Gerät vollständig vom Netz zu trennen, muss der Netzstecker des Gerätes vom Stromnetz getrennt werden, wobei die zu trennende Einheit den Netzstecker des Gerätes bezeichnet.
28. Wenn das Gerät über Batterien betrieben wird, dann sind diese vor übermäßiger Wärme wie Sonneneinstrahlung, Feuer oder ähnlichem zu schützen.

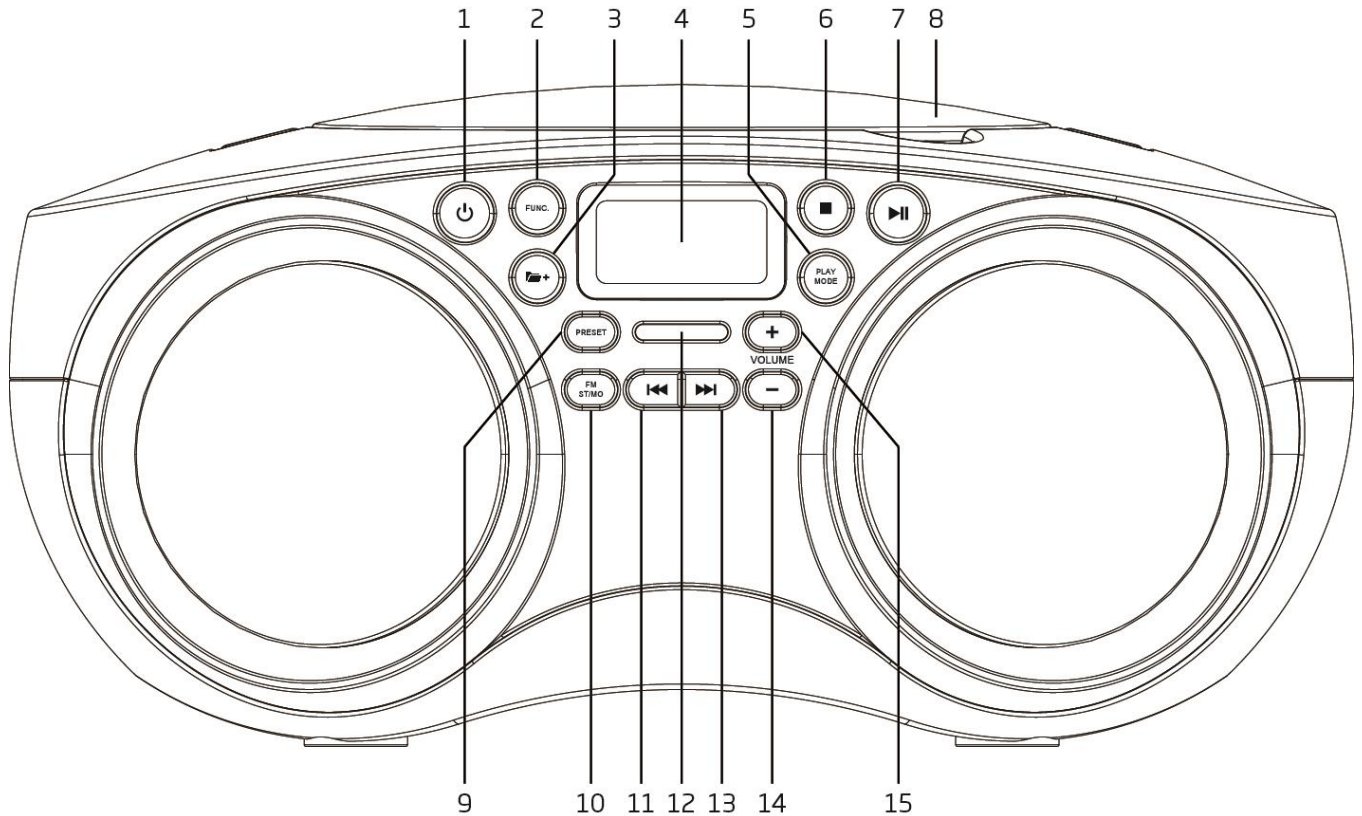
29. Bei der Batterieentsorgung sind die Entsorgungsvorschriften einzuhalten.
30. Das Gerät kann nur bei moderaten Temperaturen verwendet werden. Eine Nutzung in extrem kalten oder heißen Umgebungen sollte vermieden werden.
31. Das Typenschild befindet sich an der Unter- oder Rückseite des Gerätes.
32. Dieses Gerät ist nicht zur Benutzung durch Personen (auch Kinder) mit physischen, sensorischen oder mentalen Beeinträchtigungen oder ohne ausreichender Erfahrung vorgesehen, es sei denn, sie werden durch eine verantwortliche Person beaufsichtigt oder wurden in die ordnungsgemäße Bedienung des Gerätes durch eine für ihre Sicherheit verantwortlichen Person eingewiesen.
33. Dieses Produkt ist nur für den nicht-professionellen Gebrauch und nicht für gewerbliche oder industrielle Zwecke bestimmt.
34. Stellen Sie sicher, dass das Gerät in einer stabilen Position aufgestellt ist. Schäden, die durch Verwendung dieses Produkts in einer instabilen Position oder durch Nichtbeachtung der anderen in diesem Handbuch enthaltener Warnungen und Vorwarnung entstehen, werden nicht durch die Garantie abgedeckt.
35. Entfernen Sie niemals das Gehäuse dieses Geräts.
36. Stellen Sie dieses Gerät niemals auf andere elektrische Geräte.
37. Verwenden oder bewahren Sie dieses Produkt nicht an Orten auf, in denen es direkter Sonneneinstrahlung, Hitze, übermäßigem Staub oder Vibration ausgesetzt ist.
38. Ermöglichen Sie Kindern nicht den Zugriff auf Plastiktüten.
39. Benutzen Sie nur vom Hersteller empfohlene Erweiterungen/Zubehörteile.
40. Sprechen Sie alle Eingriffe mit qualifiziertem Fachpersonal ab. Eingriffe werden notwendig, wenn das Gerät in irgendeiner Weise beschädigt wurde, beispielsweise am Netzkabel oder am Netzstecker oder wenn Flüssigkeit in das Gerät gelangt ist bzw. Gegenstände in das Gerät gefallen sind, das Gerät Regen oder Feuchtigkeit ausgesetzt war, es heruntergefallen ist oder nicht ordnungsgemäß funktioniert.
41. \*Verwenden Sie weder ein beschädigtes Netzkabel noch einen beschädigten Stecker oder eine lockere Steckdose. Es besteht Brand- und Stromschlaggefahr.
42. Längeres Hören lauter Töne aus einem Musikgerät kann zum zeitweiligen oder permanenten Hörverlust führen.

#### **AUFBAU**

- Packen Sie alle Teile aus und entfernen Sie danach die Schutzmaterialien.
- \*Schließen Sie das Gerät nicht eher an das Netz an, bevor Sie die Netzspannung überprüft haben und alle anderen notwendigen Verbindungen hergestellt sind.

**\* Diese Anleitungen gelten nur für Produkte, die ein Netzkabel oder ein AC-Netzteil verwenden.**

## VORDERANSICHT



1. **STANDBY**

Drücken Sie die Taste, um das Gerät einzuschalten. Drücken, um es auszuschalten und in den Standby-Modus zu versetzen
2. **FUNKTION.**

Drückern Sie diese Taste, um die verschiedenen Betriebsmodi auszuwählen: FM/CD/USB/AUX-IN
3. **VERZEICHNIS +**

Drücken, um zum nächsten Verzeichnis zu wechseln (nur für MP3-Dateien)
4. **ANZEIGE**

Anzeige des Betriebsmodus und von Informationen
5. **WIEDERGABEMODUS**

Drücken, um die verschiedenen Wiedergabemodi auszuwählen
6. **STOPP**

Drücken, um die CD/USB-Wiedergabe zu beenden
7. **WIEDERGABE/PAUSE**

FM: Gedrückt halten, um den automatischen Sendersuchlauf zu starten und alle verfügbaren FM-Radiosender zu speichern  
CD/USB: Drücken, um zwischen Pause und Wiedergabe hin und her zu schalten
8. **CD-FACH-TÜR**
9. **SPEICHERPLATZ**

Drücken, um den nächsten abgespeicherten FM-Radiosender auszuwählen
10. **FM-STEREO/MONO**

FM: Drücken, um bei Empfang eines FM-Radiosenders zwischen Stereo- und erzwungener Monowiedergabe umzuschalten
11. **ZURÜCK**

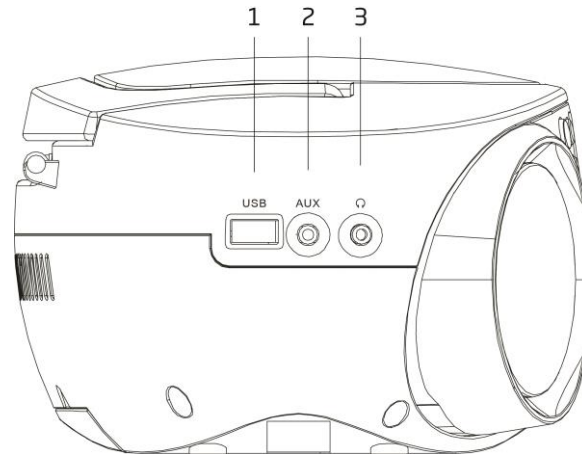
FM: Drücken, um eine andere Frequenz auszuwählen. Gedrückt halten, um nach den nächsten verfügbaren Sender zu suchen  
CD/USB: Drücken, um zum vorherigen Titel zurückzuspringen
12. **Betriebsanzeige-LED**
13. **VOR**

FM: Drücken, um eine andere Frequenz auszuwählen. Gedrückt halten, um nach den nächsten verfügbaren Sender zu suchen  
CD/USB: Drücken, um zum nächsten Titel zu springen
14. **LAUTSTÄRKE -**

Verringerung der Gesamtlautstärke
15. **LAUTSTÄRKE +**

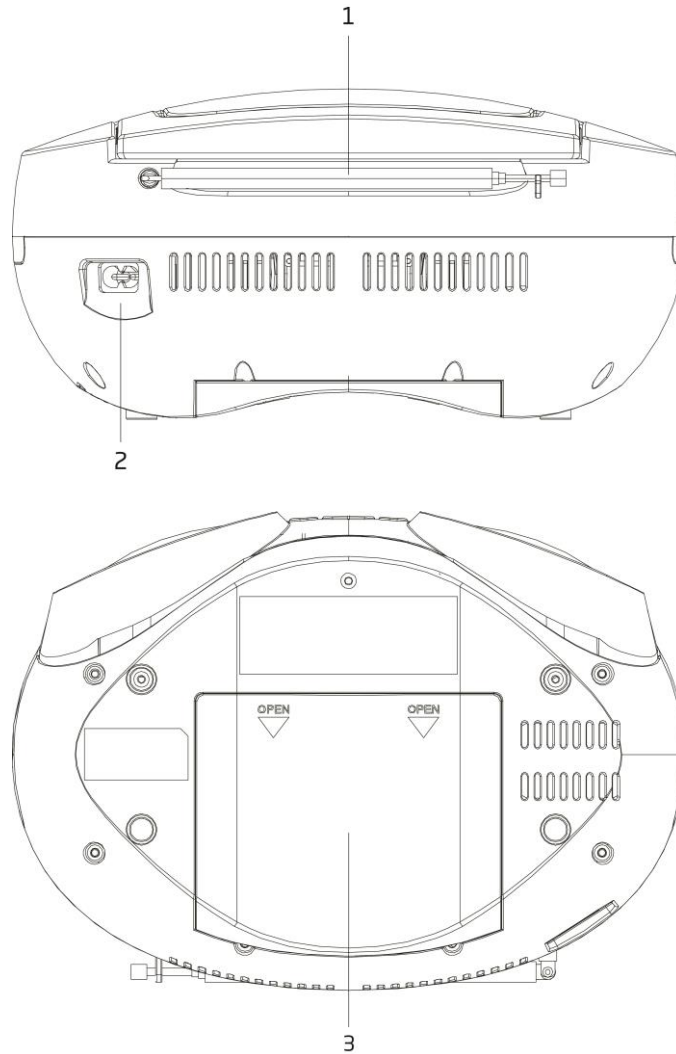
Erhöhung der Gesamtlautstärke

## SEITENANSICHT




1. USB-EINGANG
2. AUX-IN  
Anschluss eines externen Audio-Players
3. KOPFHÖRERAUSGANGSBUCHSE  
Anschluss eines externen Kopfhörers

## RÜCKTEIL UND UNTERSEITE



1. ANTENNE  
Die Antenne sollte für einen guten FM-Radioempfang vollständig herausgezogen werden
2. AC-NETZANSCHLUSSBUCHSE  
An diese Buchse das Netzkabel anschließen
3. BATTERIEFACHDECKEL

## **ANSCHLUSS AN DAS STROMNETZ**

1. Verbinden Sie das eine Ende des abziehbaren Netzkabels mit der AC-Netzanschlussbuchse ~AC IN und das andere mit einer Netzsteckdose.
2. Drücken Sie zum Einschalten des Geräts die Taste STANDBY .



## **ANZEIGE BATTERIEBETRIEB**

Ziehen Sie für den Batteriebetrieb zuerst den Netzstecker aus der Netzsteckdose und danach das Netzkabel aus der Netzanschlussbuchse ~AC IN des Geräts. Legen Sie anschließend 6 Babyzellen (LR14) (NICHT im Lieferumfang enthalten) in das Batteriefach ein.

Hinweis:

- Entfernen Sie die Batterien aus dem Gerät, wenn Sie es für längere Zeit nicht benötigen, weil das Gerät auch im Standby-Modus etwas Batteriestrom verbraucht.

## **GRUNDLEGENDE BEDIENUNG**

Drücken Sie zum Einschalten des Geräts die Taste STANDBY . Drücken Sie die Taste STANDBY  erneut, um es auszuschalten.

## **FM/CD/USB/AUX-IN**

Drücken Sie die Taste FUNC., um zwischen den verschiedenen Signalquellen auszuwählen.

## **Lautstärkeregelung**


Drücken Sie die Tasten VOLUME +/-, um den Lautstärkepegel zu ändern.

## **Ausrichten der Antenne**

Die Antenne auf der Rückseite des Geräts sollte vollständig herausgezogen werden, um einen gutem FM-Empfang sicherzustellen. Ändern Sie die Ausrichtung der Antenne, um den besten Empfang zu erhalten.

## **FM-RADIOBEDIENUNG**

### **Automatischer Suchlauf**


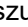
1. Wechseln Sie in den FM-Modus.
2. Halten Sie die Taste  gedrückt, um das automatische Scannen zu starten und verfügbare Radiosender (max. 30) zu speichern.

### **Manueller Scan**

1. Drücken Sie wiederholt die Taste ZURÜCK  oder VOR , um eine andere Frequenz einzustellen.
2. Halten Sie alternativ die Taste ZURÜCK  oder VOR  gedrückt, um automatisch nach dem nächsten verfügbaren Radiosender zu suchen.

### **FM-Radiosender speichern**

Sie können bis zu 30 FM-Radiosender speichern.

1. Stellen Sie den Radiosender ein, den Sie speichern möchten.
2. Die Taste PRESET gedrückt halten. In der Anzeige blinkt die Speicherplatznummer.
3. Drücken Sie die Taste ZURÜCK  oder VOR , um die Speicherplatznummer auszuwählen, auf der Sie speichern möchten. Drücken Sie dann zum Speichern die Taste ZURÜCK.

### **Gespeicherten FM-Radiosender aufrufen**

Drücken Sie die Taste ZURÜCK, um den nächsten abgespeicherten FM-Radiosender einzustellen.

### **Auswahl Stereo/Mono erzwingen**

Wenn Sie die Stereo-Ausstrahlung eines FM-Radiosenders empfangen und die Taste FM ST/MO drücken, können Sie zwischen Stereo- und erzwungener Mono-Audioausgabe umschalten.

## **CD/USB-BEDIENUNG**

### **CD einlegen und abspielen**


Öffnen Sie das CD-Fach. Legen Sie die CD mit dem Label nach oben ein. Schließen Sie das CD-Fach wieder. Drücken Sie die Taste FUNC., um den CD-Modus auszuwählen. Nach dem Einlesen wird auf der Anzeige die Gesamttitelzahl angezeigt und automatisch mit der Wiedergabe begonnen.

### **Lesen und Wiedergabe eines USB-Geräts**

Stecken Sie ein USB-Gerät in den USB-Port. Drücken Sie die Taste FUNC., um den USB-Modus auszuwählen. Nach dem Einlesen wird auf der Anzeige die Gesamttitelzahl angezeigt. Die Abspiel-Funktion wird automatisch gestartet.



### Steuerung von Wiedergabe/Pause

Drücken Sie die Taste WIEDERGABE/PAUSE  um die Wiedergabe zu pausieren. Drücken Sie diese Taste erneut, um die Wiedergabe fortzusetzen.

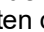



### Wiedergabe beenden

Drücken Sie die Taste STOPP , um die Wiedergabe zu beenden.

### Titel überspringen

Drücken Sie während der Wiedergabe die Taste ZURÜCK  oder VOR , um zum nächsten oder vorherigen Titel zu springen.

### Schnellsuche vor-/rückwärts

Halten Sie zum Starten der Schnellsuche während der Wiedergabe die Taste ZURÜCK  oder VOR  gedrückt. Wenn Sie die Taste ZURÜCK  oder VOR  wieder loslassen, wird die Wiedergabe mit normaler Geschwindigkeit fortgesetzt.

### Wiederholte Wiedergabe / Zufallswiedergabe

#### CD-Modus

Drücken Sie während der Wiedergabe einmal die Taste PLAY MODE, wird auf der Anzeige „REPEAT 1“ (Einzeltitel wiederholen) angezeigt. Der aktuelle Titel wird wiederholt wiedergegeben.

Drücken Sie die Taste PLAY MODE erneut, dann wird auf der Anzeige „REPEAT ALL“ (alle wiederholen) angezeigt. Alle Titel werden wiederholt wiedergegeben.

Drücken Sie die Taste PLAY MODE ein drittes Mal, dann wird auf der Anzeige „RAND“ (Zufallswiedergabe) angezeigt. Alle Titel werden in zufälliger Reihenfolge wiedergegeben.

Drücken Sie die Taste PLAY MODE ein viertes Mal, dann kehrt die Wiedergabe in den normalen Modus zurück.

#### MP3-CD-Modus oder MP3-USB-Datenträgermodus

Drücken Sie während der Wiedergabe einmal die Taste PLAY MODE, wird auf der Anzeige „REPEAT 1“ (Einzeltitel wiederholen) angezeigt. Der aktuelle Titel wird wiederholt wiedergegeben.

Drücken Sie die Taste PLAY MODE erneut, dann wird auf der Anzeige „REPEAT FOLDER“ (Verzeichnis wiederholen) angezeigt. Alle Titel des aktuellen Verzeichnisses werden wiederholt wiedergegeben.




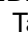
Drücken Sie die Taste PLAY MODE erneut, dann wird auf der Anzeige „REPEAT ALL“ (alle wiederholen) angezeigt. Alle Titel werden wiederholt wiedergegeben.

Drücken Sie die Taste PLAY MODE ein drittes Mal, dann wird auf der Anzeige „RAND“ (Zufallswiedergabe) angezeigt. Alle Titel werden in zufälliger Reihenfolge wiedergegeben.

Drücken Sie die Taste PLAY MODE ein viertes Mal, dann kehrt die Wiedergabe in den normalen Modus zurück.

### Programmierte Wiedergabe

Dieses Gerät kann für die Wiedergabe einer Folge von Titeln programmiert werden.

1. Legen Sie eine CD ein und drücken Sie bei gestoppter CD die Taste PLAY MODE. Auf der Anzeige erscheint „PROG“ (Programm) mit blinkender Programmplatznummer.
  2. Drücken Sie die Taste ZURÜCK  oder VOR , um den gewünschten Titel auszuwählen.
  3. Drücken Sie die Taste PLAY MODE, um den ausgewählten Titel zu speichern.
  4. Wiederholen Sie die Schritte 2 – 4, um bis zu 20 Titel zu programmieren.
  5. Drücken Sie die Taste WIEDERGABE/PAUSE , um die Wiedergabe der programmierten Titel zu beginnen.
  6. Drücken Sie zweimal die Taste STOPP  oder wechseln Sie in einen anderen Modus, um die Programmierung aufzuheben.
  7. Während der programmierten Wiedergabe können Sie ebenfalls die Wiederholung eines oder aller Titel auswählen, nur die Zufallswiedergabe steht nicht zur Verfügung.
- Im Falle von MP3s auf CD oder USB können Sie bis zu 99 Titel programmieren.

### Verzeichnis auswählen (nur MP3-Dateien)

Drücken Sie während der MP3-Wiedergabe die Taste VERZEICHNIS + , um zum nächsten Verzeichnis zu wechseln.

Drücken Sie bei gestoppter Wiedergabe die Taste VERZEICHNIS + , um zum nächsten Verzeichnis zu wechseln.

Drücken Sie danach die Taste ZURÜCK  oder WEITER , um den Titel auszuwählen, den Sie wiedergeben lassen möchten. Drücken Sie die Taste WIEDERGABE/PAUSE , um die Wiedergabe der Titel zu beginnen.

### Hinweis:


- Für die MP3-Wiedergabe werden maximal 99 Verzeichnisse mit maximal 999 Dateien unterstützt.
- Aufgrund des USB-Datei-Lese-/Schreibmechanismus wird die erste auf das USB-Gerät geschriebene Datei zuerst und die zuletzt auf das USB-Gerät geschriebene Datei zuletzt wiedergegeben. (Das Gerät sortiert nicht in alphabetische Reihenfolge)

## **AUX-IN**

Dieser Eingang ermöglicht Ihnen, eine Verbindung zu einer externen Klangquelle herzustellen.

1. Stecken Sie ein Ende eines 3,5-mm-Audiokabels (nicht im Lieferumfang enthalten) in den Line-Out-Ausgang Ihres externen Players und das andere Ende in die AUX-Buchse.
2. Drücken Sie die Taste FUNC., um den AUX-Modus auszuwählen. Auf der Anzeige erscheint „AU“ (AUX).
3. Starten Sie Ihren externen Player, um Musik wiederzugeben.
4. Das Gerät wird die Wiedergabe ausgeben.

## **ENERGIESPAREN**

Das Gerät entspricht ERP2. Es wechselt in den Standby-Modus, wenn innerhalb 15 Minuten keine Musik wiedergegeben wird. Drücken Sie die Taste STANDBY , wenn Sie das Gerät wieder weiterverwenden möchten.

## **ZUBEHÖR**

- 1 x Netzkabel
- 1 x Bedienungsanleitung

### Kein Strom

- Stellen Sie sicher, dass das Netzkabel ordnungsgemäß verbunden ist.
- Stellen Sie sicher, dass die Anlage eingeschaltet ist.

### Die Anlage reagiert nicht auf das Drücken der Tasten.

- Entfernen Sie die Batterien (falls eingelegt) und ziehen Sie für eine Minute das Netzkabel vom Gerät ab. Legen Sie anschließend die Batterien wieder ein.

### Keine Tonausgabe

- Heben Sie den Lautstärkepegel mit VOLUME + an.

### Disk eingelegt, aber an der Anlage erfolgt keine Wiedergabe

- Stellen Sie sicher, dass das Disk-Label nach oben zeigt.
- Stellen Sie sicher, dass die Disk sauber ist.
- Der PAUSE Modus ist möglicherweise aktiviert. Deaktivieren Sie den PAUSE Modus.
- Die Disk könnte beschädigt oder schmutzig sein; prüfen und reinigen Sie die Disk.

### FM Empfang

- Stellen Sie sicher das die FM ausziehbare Antenne vollständig ausgezogen ist.
- Elektrische Interferenz in Ihrem Haus kann schlechten Empfang verursachen. Stellen Sie die Anlage entfernt davon auf (insbesondere wenn diese von Motoren oder Transformatoren verursacht werden).

### Die Anlage schaltet automatisch während der Wiedergabe aus

- Heben Sie den Lautstärkepegel Ihres verbundenen Geräts (DVD-Player/TV usw.) an

### Klangstörungen aus den Lautsprechern

- Entfernen Sie eventuelle Drahtlosgeräte (Mobiltelefon, Bluetooth-Geräte usw.) aus der näheren Umgebung des Geräts.

### TECHNISCHE SPEZIFIKATIONEN

FM-Radio-Frequenzbereich	87,5 – 108 MHz
AC-Netzeingang	230 V~, 50 Hz
Leistungsaufnahme	13 W
LautsprecherAusgangsleistung	2 x 1 W RMS
USB	USB-2.0-Buchse vom Typ A
AUX-IN	3,5-mm-Stereobuchse
Kopfhörerausgang	3,5-mm-Stereobuchse
Geräteabmessungen (L x T x H)	280 x 183 x 136 mm
Gesamtgewicht	1,2 kg

- Die Spezifikation dient nur zu Ihrer Referenz. Abmessungen und Gewichte können hiervon abweichen.
- Unsere Produkte werden ständig weiterentwickelt. Die Spezifikationen und Funktionen können stillschweigend geändert werden

## 1. Garantie

Lenco bietet Leistungen und Garantien im Einklang mit Europäischem Recht. Im Falle von Reparaturen (sowohl während als auch nach Ablauf der Garantiezeit) sollten Sie deshalb Ihren Einzelhändler kontaktieren.

Wichtiger Hinweis: Es ist nicht möglich, Geräte für Reparaturen direkt an Lenco zu schicken.

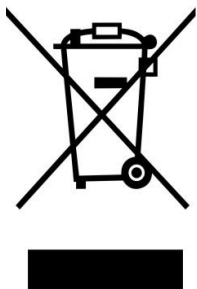
Wichtiger Hinweis: Falls dieses Gerät von einem nicht autorisierten Kundendienst geöffnet oder darauf zugegriffen wird, erlischt die Garantie.

Dieses Gerät ist nicht für professionelle Zwecke geeignet. Falls das Gerät für professionelle Zwecke eingesetzt wird, erlöschen alle Garantieverpflichtungen seitens des Herstellers.

## 2. Haftungsausschluss

Aktualisierungen der Firmware und/oder Hardware-Komponenten werden regelmäßig durchgeführt. Daher können einige der Anweisungen, Spezifikationen und Abbildungen in dieser Dokumentation von Ihrer individuellen Situation abweichen. Alle in diesem Handbuch beschriebenen Elemente dienen nur zur Illustration und treffen auf Ihre individuelle Situation möglicherweise nicht zu. Aus der in diesem Handbuch getätigten Beschreibung können keine Rechtsansprüche oder Ansprüche geltend gemacht werden.

## 3. Entsorgung des Altgeräts



Dieses Symbol zeigt an, dass das entsprechende Produkt oder dessen Batterie in Europa nicht mit dem normalen Hausmüll entsorgt werden darf. Um die ordnungsgemäße Abfallbehandlung des Produkts und dessen Batterie zu gewährleisten, müssen diese im Einklang mit allen anwendbaren örtlichen Vorschriften zur Entsorgung von Elektrogeräten und Batterien entsorgt werden. Dabei helfen Sie, natürliche Ressourcen zu schonen und Umweltschutzstandards zur Verwertung und Entsorgung von Altgeräten aufrecht zu halten (Waste Electrical and Electronic Equipment Directive).

## 4. CE-Kennzeichen

Hiermit erklärt Lenco Benelux B.V., Thermiekstraat 1a, 6361 HB Nuth, The Netherlands, dass dieses Produkt den grundsätzlichen Anforderungen der EU-Richtlinie entspricht. Die Konformitätserklärung ist erhältlich unter [techdoc@commaxxgroup.com](mailto:techdoc@commaxxgroup.com)



## 5. Service

Weitere Informationen und Unterstützung erhalten Sie unter [www.lenco.com](http://www.lenco.com)

Lenco Benelux BV, Thermiekstraat 1a, 6361 HB, Die Niederlande.

**ATTENTION :**

L'utilisation de commandes ou de réglages ou l'exécution de procédures autres que ceux spécifiés dans ce manuel peut entraîner une exposition à des rayonnements dangereux.

Cet appareil ne doit pas être réglé ou réparé par quiconque d'autre que du personnel qualifié.

**PRÉCAUTIONS AVANT UTILISATION****GARDEZ CES INSTRUCTIONS À L'ESPRIT :**

1. N'utilisez pas cet appareil près de l'eau.
2. Nettoyez-le uniquement avec un chiffon doux légèrement humide.
3. Ne couvrez pas et n'obturez pas les ouvertures de ventilation. Lorsque vous placez l'appareil sur une étagère, laissez 5 cm (2") d'espace libre tout autour de l'appareil.
4. Installez-le conformément au mode d'emploi fourni.
5. \*Ne marchez pas sur l'adaptateur secteur ou ne le coincez pas. Faites très attention, en particulier près des fiches et du point de sortie du câble. Ne placez pas d'objets lourds sur l'adaptateur secteur, car ils pourraient l'endommager. Gardez l'appareil hors de portée des enfants ! Ils pourraient se blesser gravement s'ils jouent avec le câble d'alimentation.
6. \*Débranchez cet appareil pendant les orages ou lorsqu'il n'est pas utilisé pendant une longue durée.
7. Gardez l'appareil à l'écart des sources de chaleur telles que des radiateurs, chauffages, fours, bougies et autres produits générant de la chaleur ou une flamme nue.
8. Évitez d'utiliser l'appareil à proximité de champs magnétiques puissants.
9. Des décharges électrostatiques peuvent perturber le fonctionnement normal de cet appareil. Quand cela se passe, il suffit de réinitialiser et de redémarrer l'appareil en suivant le manuel d'instructions. Pendant le transfert du fichier, manipulez l'appareil avec précaution et faites-le fonctionner dans un environnement sans électricité statique.
10. Mise en garde ! N'introduisez jamais un objet dans l'appareil par les ouvertures et les fentes de ventilation. Étant donné que des tensions élevées sont présentes à l'intérieur du produit, l'insertion d'un objet peut entraîner une électrocution et/ou court-circuiter les composants internes. Pour les mêmes raisons, ne versez pas de l'eau ou un liquide sur le produit.
11. Ne l'utilisez pas dans des endroits humides tels qu'une salle de bain, une cuisine pleine de vapeur ou à proximité d'une piscine.
12. N'utilisez pas cet appareil lorsque de la condensation est possible.
13. Bien que ce dispositif soit fabriqué avec le plus grand soin et contrôlé à plusieurs reprises avant de quitter l'usine, il est toujours possible que des problèmes se produisent, comme avec tous les appareils électriques. Si l'appareil émet de la fumée, une accumulation de chaleur excessive ou un phénomène inattendu, débranchez immédiatement la fiche d'alimentation du secteur.
14. Cet appareil doit fonctionner avec la source d'alimentation indiquée sur la plaque signalétique. Si vous n'êtes pas sûr du type d'alimentation utilisé chez vous, consultez votre revendeur ou le fournisseur d'électricité local.
15. \*La prise secteur doit être installée près de l'appareil et doit être facilement accessible.
16. \*Ne surchargez pas les prises de courant ou les rallonges. Une surcharge peut entraîner un incendie ou une électrocution.
17. \*Les appareils à la norme de construction de classe 1 doivent être branchés à une prise de courant disposant d'une connexion protectrice à la terre.
18. Les appareils à la norme de construction de classe 2 ne nécessitent pas de connexion à la terre.
19. Tenez-le à l'abri des rongeurs. Les rongeurs adorent mordre les cordons d'alimentation.
20. \*Tirez toujours sur la fiche pour débrancher le cordon de la prise secteur. Ne tirez pas sur le cordon d'alimentation. Cela pourrait provoquer un court-circuit.
21. Évitez de placer l'appareil sur des surfaces sujettes aux vibrations ou aux chocs.
22. Pour nettoyer l'appareil, servez-vous d'un chiffon doux et sec. N'utilisez pas de solvant ni d'autre liquide à base de pétrole. Pour enlever les taches importantes, vous pouvez vous servir d'un chiffon humide imbibé d'une solution de détergent diluée.
23. Le fournisseur n'est pas responsable des dommages ou pertes de données causés par un dysfonctionnement, une utilisation abusive, une modification de l'appareil ou un remplacement de la batterie.
24. N'interrompez pas la connexion lorsque l'appareil formate ou transfère des fichiers. Sinon, les données pourraient être endommagées ou perdues.
25. Si l'appareil a une fonction de lecture USB, il faut brancher la clé USB directement sur l'appareil. N'utilisez pas de rallonge USB, car cela peut causer des interférences provoquant une perte de données.
26. L'appareil ne doit pas être exposé à des écoulements ou des éclaboussures et aucun objet contenant un liquide, tel qu'un vase, ne doit être posé sur ou près de l'appareil.
27. \*Pour que l'alimentation soit parfaitement déconnectée, la fiche d'alimentation de l'appareil doit être débranchée de la prise secteur.

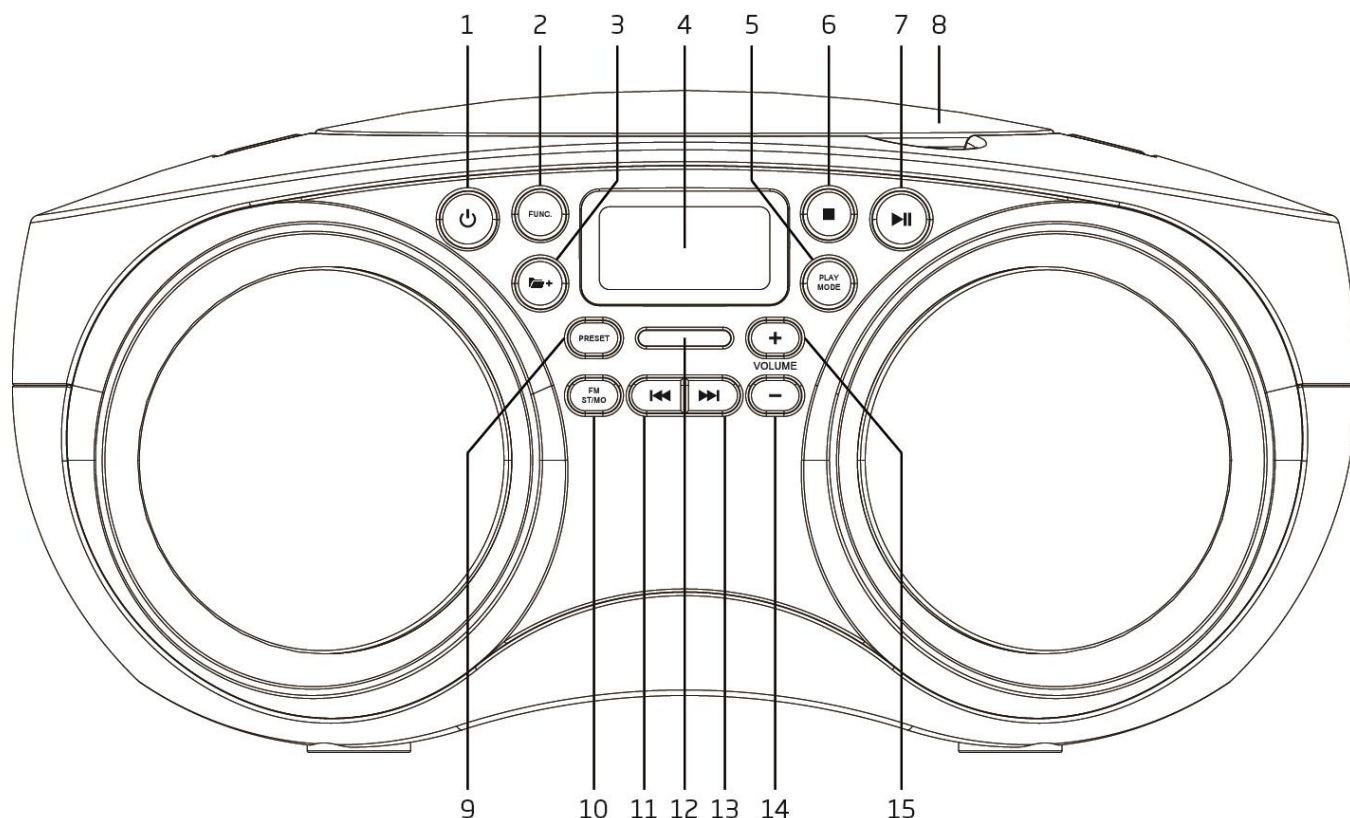
28. Si l'appareil a la possibilité de fonctionner sur batterie, n'exposez pas la batterie à une chaleur extrême telle que les rayons du soleil, le feu ou toute autre chaleur.
29. Veuillez considérer les questions environnementales lors de la mise au rebut des piles.
30. L'appareil doit être utilisé uniquement sous des conditions climatiques modérées, évitez un environnement extrêmement froid ou chaud.
31. La plaque signalétique se situe en dessous ou à l'arrière de l'appareil.
32. Cet appareil n'est pas destiné à être utilisé par des personnes (enfants compris) souffrant de handicaps physiques, sensoriels ou mentaux, ou manquant d'expérience et de connaissances, sauf si elles sont sous surveillance ou ont reçu des instructions sur l'utilisation correcte de l'appareil par la personne qui est responsable de leur sécurité.
33. Ce produit est réservé à un usage non professionnel, et non pas à un usage commercial ni industriel.
34. Vérifiez que l'appareil est en position stable. La garantie ne couvre pas les dégâts occasionnés par l'utilisation de cet appareil en position instable ou par la non-observation de tout autre avertissement ou précaution contenus dans ce mode d'emploi.
35. Ne retirez jamais le boîtier de l'appareil.
36. Ne placez jamais cet appareil sur un autre appareil électrique.
37. N'utilisez et ne rangez pas ce produit au soleil, à la chaleur, à la poussière ou à des vibrations excessives.
38. Ne laissez pas les sacs en plastique à la portée des enfants.
39. Utilisez uniquement les accessoires recommandés par le fabricant.
40. Confiez l'entretien et les réparations à un personnel qualifié. Une réparation est nécessaire lorsque l'appareil a été endommagé d'une quelconque façon telle qu'un cordon d'alimentation ou une prise endommagés, lorsqu'un liquide a été renversé ou des objets ont été introduits dans l'appareil, lorsque l'appareil a été exposé à la pluie ou à l'humidité, lorsqu'il ne fonctionne pas correctement ou lorsque l'appareil est tombé.
41. \*N'utilisez pas un cordon ou une fiche d'alimentation endommagé ni une prise desserrée. Vous risqueriez de causer un incendie ou une décharge électrique.
42. Une exposition prolongée aux sons puissants des lecteurs personnels de musique peut entraîner une perte temporaire ou permanente de l'ouïe.

## **INSTALLATION**

- Déballez toutes les pièces et enlevez le matériau de protection.
- \*Ne connectez pas l'appareil au secteur avant d'avoir vérifié la tension du secteur et avant que toutes les autres connexions n'aient été effectuées.

**\* Ces instructions s'appliquent uniquement aux produits utilisant un câble d'alimentation ou un adaptateur secteur.**

## FAÇADE



1. MISE EN VEILLE 

Appuyez dessus pour mettre en marche l'appareil. Rappuyez dessus pour éteindre et passer en mode veille.
2. FONCTION
 

Appuyez sur ce bouton pour changer le mode de fonctionnement : FM/CD/USB/AUX IN (entrée aux.)
3. DOSSIER + 

Appuyez sur ce bouton pour aller au dossier suivant (fichier MP3 uniquement).
4. AFFICHAGE
 

Pour afficher l'état de fonctionnement de l'appareil et des informations
5. MODE DE LECTURE
 

Appuyez sur ce bouton pour changer le mode de lecture.
6. ARRÊT 

Appuyez dessus pour arrêter la lecture CD/USB.
7. LECTURE/PAUSE 

FM : Maintenez ce bouton enfoncé pour démarrer une recherche automatique et stocker toutes les stations FM disponibles.  
 CD/USB : Appuyez dessus pour mettre la lecture en pause ou bien reprendre la lecture.
8. PORTE DU COMPARTIMENT DE CD
9. PRÉSELECTION
 

Appuyez sur ce bouton pour syntoniser la prochaine station présélectionnée FM.
10. FM ST/MO
 

FM : Appuyez sur ce bouton pour basculer entre stéréo et mono forcé quand vous recevez une station FM.
11. PRÉCÉDENT 

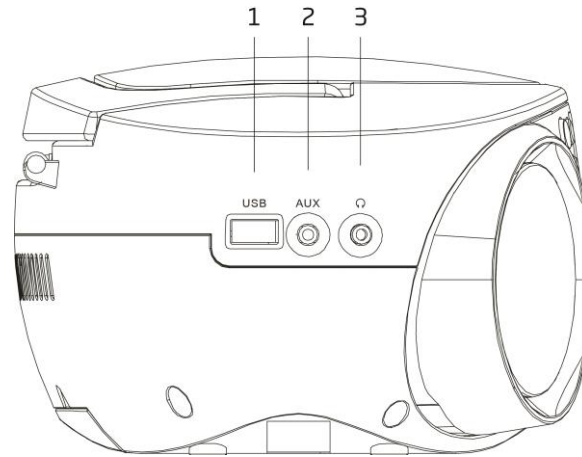
FM : Appuyez sur ce bouton pour syntoniser une autre fréquence. Maintenez enfoncé pour rechercher la prochaine station disponible.  
 CD/USB : Appuyez sur ce bouton pour aller à la piste précédente.
12. Voyant d'alimentation
13. SUIVANT 

FM : Appuyez sur ce bouton pour syntoniser une autre fréquence. Maintenez enfoncé pour rechercher la prochaine station disponible.  
 CD/USB : Appuyez sur ce bouton pour passer à la piste suivante.
14. VOLUME -
 

Pour baisser le volume principal.
15. VOLUME +
 

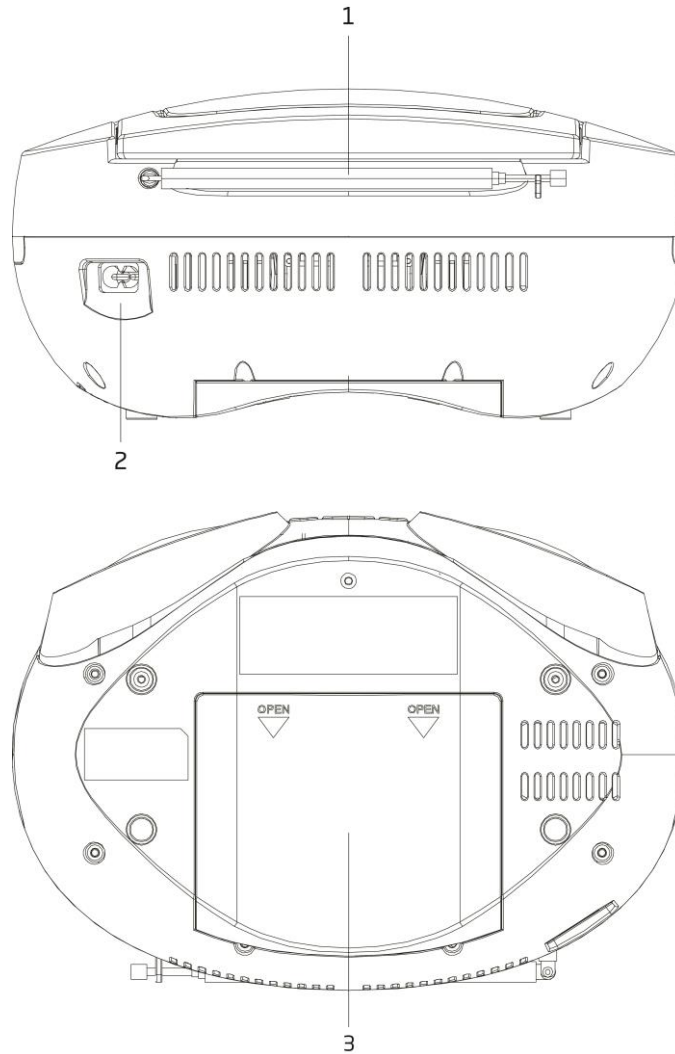
Pour augmenter le volume principal.

## CÔTÉ



1. ENTRÉE USB
2. Entrée auxiliaire  
Pour brancher un lecteur audio externe
3. PRISE DE SORTIE CASQUE  
Pour brancher des écouteurs externes


## ARRIÈRE ET DESSOUS



1. ANTENNE  
L'antenne doit être déployée pour assurer une bonne réception FM
2. ENTRÉE ~CA  
Branchez le cordon d'alimentation dans cette prise.
3. CACHE DES PILES



## BRANCHEMENT À L'ALIMENTATION ÉLECTRIQUE

1. Branchez l'extrémité du cordon d'alimentation amovible à la prise d'entrée CA sur le panneau arrière de l'appareil et l'autre extrémité à la prise secteur.
2. Appuyez sur le bouton STANDBY  pour mettre l'appareil en marche.



## FONCTIONNEMENT SUR PILES

Pour un fonctionnement CC, débranchez d'abord la fiche CA de la prise secteur et débranchez le cordon d'alimentation CA de la prise d'entrée CA. Ensuite, installez 6 piles de taille C (UM-2) (NON fournies) dans le compartiment à piles.

Remarque :

- Étant donné que l'appareil consomme un peu de puissance des piles en mode veille, sortez les piles si l'appareil ne va pas servir avant longtemps.

## FONCTIONNEMENT DE BASE

Appuyez sur le bouton STANDBY  pour mettre l'appareil en marche. Pour l'éteindre, appuyez sur le bouton STANDBY .

## FM/CD/USB/AUX IN (entrée aux.)

Appuyez sur le bouton FUNC. pour sélectionner différentes sources.

## Réglage du Volume


Appuyez sur les boutons VOLUME +/- pour changer le volume.

## Ajustement de l'antenne

Déployez complètement l'antenne située à l'arrière de l'appareil afin d'assurer une bonne réception FM. Orientez l'antenne autrement afin d'améliorer la réception.

## UTILISATION DE LA RADIO FM

### Recherche automatique

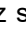

1. Mettez l'appareil en marche et réglez-le en mode FM.
2. Maintenez enfoncé le bouton  pour lancer une recherche automatique et sauvegarder les stations disponibles (max. 30 emplacements).

### Recherche manuelle

1. Appuyez plusieurs fois sur le bouton PRÉCÉDENT  ou SUIVANT  pour syntoniser une fréquence différente.
2. Alternativement, maintenez enfoncé le bouton PRÉCÉDENT  ou SUIVANT  pour rechercher automatiquement la prochaine station disponible.

### Mémorisation de présélections FM

Vous pouvez mémoriser 30 stations FM au maximum.

1. Syntonisez la station à mémoriser.
2. Maintenez enfoncé le bouton PRESET. Le numéro de la station présélectionnée clignote sur l'écran.
3. Appuyez sur le bouton PRÉCÉDENT  ou SUIVANT  jusqu'à atteindre un numéro voulu à assigner à la station pré-réglée. Ensuite, appuyez sur le bouton PRESET pour sauvegarder.

### Charger des stations pré-réglées FM

Appuyez sur le bouton PRESET pour syntoniser la prochaine station présélectionnée FM.

### Sélection Stéréo/forcer mono

Quand vous recevez une station FM à diffusion stéréo, appuyez sur le bouton FM ST/MO pour basculer entre l'audio en stéréo et l'audio en mono forcé.

## FONCTIONNALITÉS CD/USB

### Charger et lire un disque CD

Ouvrez la porte CD. Placez-y un CD avec la face imprimée vers le haut. Fermez la porte du compartiment à CD. Appuyez sur le bouton FUNC. pour sélectionner le mode CD. Après l'analyse, le nombre total de pistes s'affichera sur l'écran et la lecture se lancera.

### Lecture à partir d'une clé USB

Branchez une clé USB dans le port USB. Appuyez sur le bouton FUNC. pour sélectionner le mode USB. Après l'analyse, le nombre total de pistes s'affichera sur l'écran. La lecture se lancera automatiquement.

### Commande Lecture/pause

Pour mettre la lecture en pause, appuyez sur LECTURE/PAUSE . Rappuyez sur ce bouton pour reprendre la lecture.

### Commande Arrêt

Pour arrêter la lecture, appuyez sur le bouton ARRÊT ■.

### Changement de piste

En cours de lecture, appuyez sur le bouton PRÉCÉDENT ◀◀ ou SUIVANT ▶▶ pour aller à la piste précédente ou suivante.

### Recherche de musique rapide

Durant la lecture, maintenez enfoncé le bouton PRÉCÉDENT ◀◀ ou SUIVANT ▶▶ pour faire une avance rapide ou un retour rapide.

Quand vous relâchez le bouton PRÉCÉDENT ◀◀ ou SUIVANT ▶▶, la lecture à vitesse normale reprend.

### Lecture répétée/lecture aléatoire

#### Mode Disque CD

Durant la lecture, appuyez une fois sur le bouton PLAY MODE, l'écran affichera « REPEAT1 » (répéter une piste). La piste en cours se lira en boucle.

Si vous appuyez sur le bouton PLAY MODE, l'écran affichera « REPEAT ALL » (répéter tout). Toutes les pistes se liront en boucle.

Si vous appuyez sur le bouton PLAY MODE, l'écran affichera « RAND » (aléatoire). Toutes les pistes se liront dans un ordre aléatoire.

Si vous appuyez sur le bouton PLAY MODE, l'appareil reprendra la lecture normale.

#### Mode Disque MP3 ou USB MP3

Durant la lecture, appuyez une fois sur le bouton PLAY MODE, l'écran affichera « REPEAT1 » (répéter une piste). La piste en cours se lira en boucle.

Si vous appuyez sur le bouton PLAY MODE, l'écran affichera « REPEAT FOLDER » (répéter le dossier). Toutes les pistes dans le dossier en cours se liront en boucle.

Si vous appuyez sur le bouton PLAY MODE, l'écran affichera « REPEAT ALL » (répéter tout). Toutes les pistes se liront en boucle.

Si vous appuyez sur le bouton PLAY MODE, l'écran affichera « RAND » (aléatoire). Toutes les pistes se liront dans un ordre aléatoire.

Si vous appuyez sur le bouton PLAY MODE, l'appareil reprendra la lecture normale.


### Lecture programmée

Cet appareil peut être programmé pour lire une séquence de pistes sélectionnées.

1. Insérez un CD, puis en mode arrêt appuyez sur le bouton PLAY MODE. « PROG » s'affiche avec le numéro de programme qui clignote sur l'écran.
  2. Appuyez sur le bouton PRÉCÉDENT ◀◀ ou SUIVANT ▶▶ pour sélectionner la station voulue.
  3. Appuyez sur le bouton PLAY MODE pour sauvegarder la piste voulue.
  4. Recommencez les étapes 2 à 4 pour programmer jusqu'à 20 pistes.
  5. Appuyez sur le bouton PLAY/PAUSE ▶|| pour lancer la lecture des pistes programmées.
  6. Pour effacer la lecture programmée, appuyez deux fois sur le bouton ARRÊT ■ ou changez de mode.
  7. Pendant la lecture d'un programme, vous pouvez également activer l'option « Repeat One » (Répéter une piste) ou « Repeat All » (Tout répéter), mais la lecture aléatoire n'est pas prise en charge.
- Pour un disque MP3 ou une clé USB MP3, vous pouvez programmer 99 pistes au maximum.

### Sélection du dossier (fichiers MP3 uniquement)

Durant une lecture MP3, appuyez sur le bouton FOLDER +  pour aller au prochain dossier.

Durant en mode arrêt, appuyez sur le bouton FOLDER +  pour aller au prochain dossier. Ensuite, appuyez sur le bouton PRÉCÉDENT ◀◀ ou SUIVANT ▶▶ pour sélectionner une station à lire. Appuyez sur le bouton PLAY/PAUSE ▶|| pour lancer la lecture de la piste.

Remarque :


- Pour la lecture MP3, au maximum 99 dossiers et 999 fichiers sont pris en charge.
- En raison du mécanisme de lecture/écriture des fichiers USB, le premier fichier écrit sur la clé USB sera lu d'abord et le dernier fichier sera lu en dernier. (L'appareil ne trie pas alphabétiquement.)

### Entrée auxiliaire

Cela vous permet de connecter une source audio externe.

1. Branchez un câble audio de 3,5 mm (non inclus) à la sortie de ligne externe de votre lecteur et branchez l'autre extrémité à la prise AUX.
2. Appuyez sur le bouton FUNC. pour passer en mode AUX. L'écran affiche « AU ».
3. Lancez la lecture de musique sur votre lecteur externe.
4. L'appareil produira le son.

## **ÉCONOMIE D'ÉNERGIE**

Cet appareil est conforme à la législation ErP2, ce qui signifie qu'il passera en mode veille si aucune musique n'est lue pendant 15 minutes. Pour rallumer l'appareil, appuyez sur le bouton STANDBY .

## **ACCESSOIRES**

- Cordon d'alimentation x 1
- Mode d'emploi x 1

### Pas d'alimentation

- Vérifiez que le câble principal est correctement branché.
- Assurez-vous que l'appareil est en marche.

### L'appareil ne répond pas aux touches.

- Enlevez les piles (si elles sont installées) et débranchez le cordon d'alimentation pendant une minute. Ensuite, réinstallez les piles.

### Pas de son

- Montez le volume avec VOL+.

### Disque inséré mais pas de lecture

- Assurez-vous que l'étiquette du disque est orientée vers le haut.
- Assurez-vous que le disque est propre.
- Le mode PAUSE peut être activé, le désactiver.
- Vérifiez si le disque est endommagé ou sale ; nettoyez le disque.

### Réception FM

- Vérifiez que l'antenne télescopique FM est entièrement déployée.
- Des interférences électriques chez vous peuvent ruiner la réception. Éloignez l'appareil d'elles (en particulier avec des moteurs et des transformateurs).

### L'unité s'éteint automatiquement pendant la lecture

- Montez le niveau du volume de votre source audio connectée (lecteur DVD/TV, etc.).

### Interférences sonores provenant des enceintes

- Éloignez tous les appareils sans fil (téléphone mobile, appareil Bluetooth, etc.).

### CARACTÉRISTIQUES TECHNIQUES

Plage de fréquence radio FM	87,5 à 108 MHz
Entrée d'alimentation CA	230V~, 50Hz
Puissance absorbée	13 W
Puissance de sortie des enceintes	2 x 1 W RMS
USB	Prise USB 2.0 de type A
Entrée auxiliaire	Prise stéréo de 3,5 mm
Sortie casque	Prise stéréo de 3,5 mm
Dimensions de l'appareil (L x P x H)	280 x 183 x 136 mm
Poids total	1,2 kg

- Les caractéristiques sont données uniquement à titre indicatif, les tailles et le poids peuvent varier.
- Nous améliorons constamment nos produits. Les caractéristiques et les fonctions sont sujettes à modification sans préavis.

## 1. Garantie

Lenco propose un entretien et une garantie conformément à la législation européenne, ce qui signifie qu'en cas de besoin de réparation (aussi bien pendant et après la période de garantie), vous pouvez contacter votre revendeur le plus proche.

Remarque importante : Il n'est pas possible de renvoyer l'appareil pour réparation directement à Lenco.

Remarque importante : Si l'unité est ouverte ou modifiée de quelque manière que ce soit par un réparateur non agréé, la garantie serait caduque.

Cet appareil ne convient pas à une utilisation professionnelle. En cas d'utilisation professionnelle, les obligations de garantie du fabricant seront annulées.

## 2. Clause de non responsabilité

Des mises à jour du logiciel et/ou des composants informatiques sont régulièrement effectuées. Il se peut donc que certaines instructions, caractéristiques et images présentes dans ce document diffèrent légèrement de votre configuration spécifique. Tous les articles décrits dans ce guide le sont fournis uniquement à des fins d'illustration et peuvent ne pas s'appliquer à une configuration spécifique. Aucun droit légal ne peut être obtenu depuis les informations contenues dans ce manuel.

## 3. Mise au rebut de l'appareil usagé



Ce symbole indique que l'équipement électrique concerné ou la batterie ne doivent pas être jetés parmi les autres déchets ménagers en Europe. Afin de garantir un traitement approprié de la batterie ou de l'appareil usagés, veuillez les mettre au rebut conformément à la réglementation locale en vigueur relative aux équipements électriques et autres batteries. En agissant de la sorte, vous contribuerez à la préservation des ressources naturelles et à l'amélioration des niveaux de protection environnementale concernant le traitement et la destruction des déchets électriques (Directive sur les déchets des équipements électriques et électroniques).



## 4. Marquage CE

Par la présente, Lenco Benelux B.V., Thermiekstraat 1a, 6361 HB Nuth, Pays-Bas, déclare que ce produit est conforme aux exigences principales des directives européennes. La déclaration de conformité peut être consultée au lien : [techdoc@commaxxgroup.com](mailto:techdoc@commaxxgroup.com)



## 5. Service

Pour en savoir plus et obtenir de l'assistance, visitez [www.lenco.com](http://www.lenco.com)  
Lenco Benelux BV, Thermiekstraat 1a, 6361 HB, The Netherlands.

**PRECAUCIÓN:**

El uso de los controles o ajustes o el funcionamiento de los procedimientos excepto a aquellos especificados aquí pueden provocar una exposición peligrosa a la radiación.

Esta unidad no debe ajustarse o repararse por ninguna persona salvo personal de servicio cualificado.

**PRECAUCIONES PREVIAS AL USO****TENGA ESTAS INSTRUCCIONES EN MENTE:**

1. No use este dispositivo cerca del agua.
2. Límpielo únicamente con un paño ligeramente humedecido.
3. No cubra o bloquee ninguna apertura de ventilación. Cuando coloque el dispositivo en una estantería, deje 5 cm (2") de espacio libre alrededor de todo el dispositivo.
4. Instálelo conforme al manual de usuario que se adjunta.
5. \*No pise o pince el adaptador de alimentación. Tenga mucho cuidado, en especial cerca de las tomas y el punto de salida del cable. No coloque objetos pesados en el adaptador de alimentación, ya que pueden dañarlo. ¡Mantenga el dispositivo fuera del alcance de los niños! Si juegan con el cable de alimentación, puede sufrir lesiones graves.
6. \*Desconecte el dispositivo durante tormentas eléctricas o cuando no vaya a usarse durante periodos prolongados de tiempo.
7. Mantenga el aparato alejado de fuentes de calor, como radiadores, calentadores, estufas, velas u otros productos que generen calor o llama viva.
8. Evite usar el dispositivo cerca de campos magnéticos fuertes.
9. Una descarga electrostática puede entorpecer el uso normal de este dispositivo. En tal caso, simplemente reinícielo siguiendo el manual de instrucciones. Durante la transmisión de archivos, por favor manéjelo con cuidado opérela en un entorno libre de electricidad estática.
10. ¡Advertencia! Nunca inserte un objeto en el producto a través de las ventilaciones o aperturas. Alto voltaje fluye a través del producto e insertar un objeto puede provocar una descarga eléctrica y/o un cortocircuito de sus componentes internos. Por el mismo motivo, no derrame agua o líquidos en el producto.
11. No lo utilice en zonas húmedas, como cuartos de baño, cocinas en las que se forme vapor ni cerca de piscinas.
12. No use este dispositivo cuando se pueda producir condensación.
13. Aunque este dispositivo está fabricado con el máximo cuidado y comprobado varias veces antes de salir de fábrica, todavía es posible que se puedan producir problemas, al igual que con todos los aparatos eléctricos. Si observa la aparición de humo, una acumulación excesiva de calor o cualquier otro fenómeno inesperado, deberá desconectar inmediatamente el enchufe de la toma de corriente.
14. Este dispositivo debe funcionar con una fuente de alimentación que se especifica en la etiqueta de especificaciones. Si no está seguro del tipo de alimentación que se usa en su hogar, consulte con el distribuidor o una compañía eléctrica local.
15. \*La salida de la toma debe instalarse cerca del equipo y debe ser fácilmente accesible.
16. \*No sobrecargue las tomas CA o los cables de extensión. La sobrecarga puede provocar un incendio o una descarga eléctrica.
17. \*Los dispositivos con construcción Clase 1 deben estar conectados a una toma de corriente con una conexión a tierra protegida.
18. \*Los dispositivos con construcción Clase 2 no requieren una conexión a tierra.
19. Manténgalo alejado de los roedores. Los roedores disfrutan mordiendo cables de alimentación.
20. \*Sujete siempre el enchufe cuando los extraiga de la toma de corriente. No tire del cable de alimentación. Esto puede provocar un cortocircuito.
21. Evite colocar la unidad sobre superficies sometidas a vibraciones o impactos.
22. Para limpiar el dispositivo use un paño seco y suave. No utilice líquidos disolventes ni con base de petróleo. Para eliminar manchas difíciles, puede usar un paño húmedo con detergente diluido.
23. El proveedor no asume ninguna responsabilidad por daños o datos perdidos provocados por un funcionamiento incorrecto, uso incorrecto, modificación del dispositivo o sustitución de la batería.
24. No interrumpa la conexión cuando el dispositivo esté formateando o transfiriendo archivos. En caso contrario, los datos se pueden estropear o perder.
25. Si la unidad dispone de función de reproducción USB, se debe conectar la memoria USB directamente en la unidad. No use un cable de extensión USB ya que puede causar interferencias lo que puede provocar un fallo en los datos.
26. El aparato no debe exponerse a goteos o salpicaduras y asegúrese de que ningún objeto lleno de líquido, como jarrones, se colocan sobre o cerca del aparato.
27. \*Para desconectar completamente la entrada de alimentación, el enchufe del aparato deberá desconectarse de la alimentación, ya que el dispositivo de desconexión es el enchufe del aparato.
28. Si la unidad funciona con batería, la batería no debe exponerse a un calor excesivo como a la luz solar, el fuego o similares.
29. Se debe prestar atención a los aspectos medioambientales sobre la eliminación de baterías.

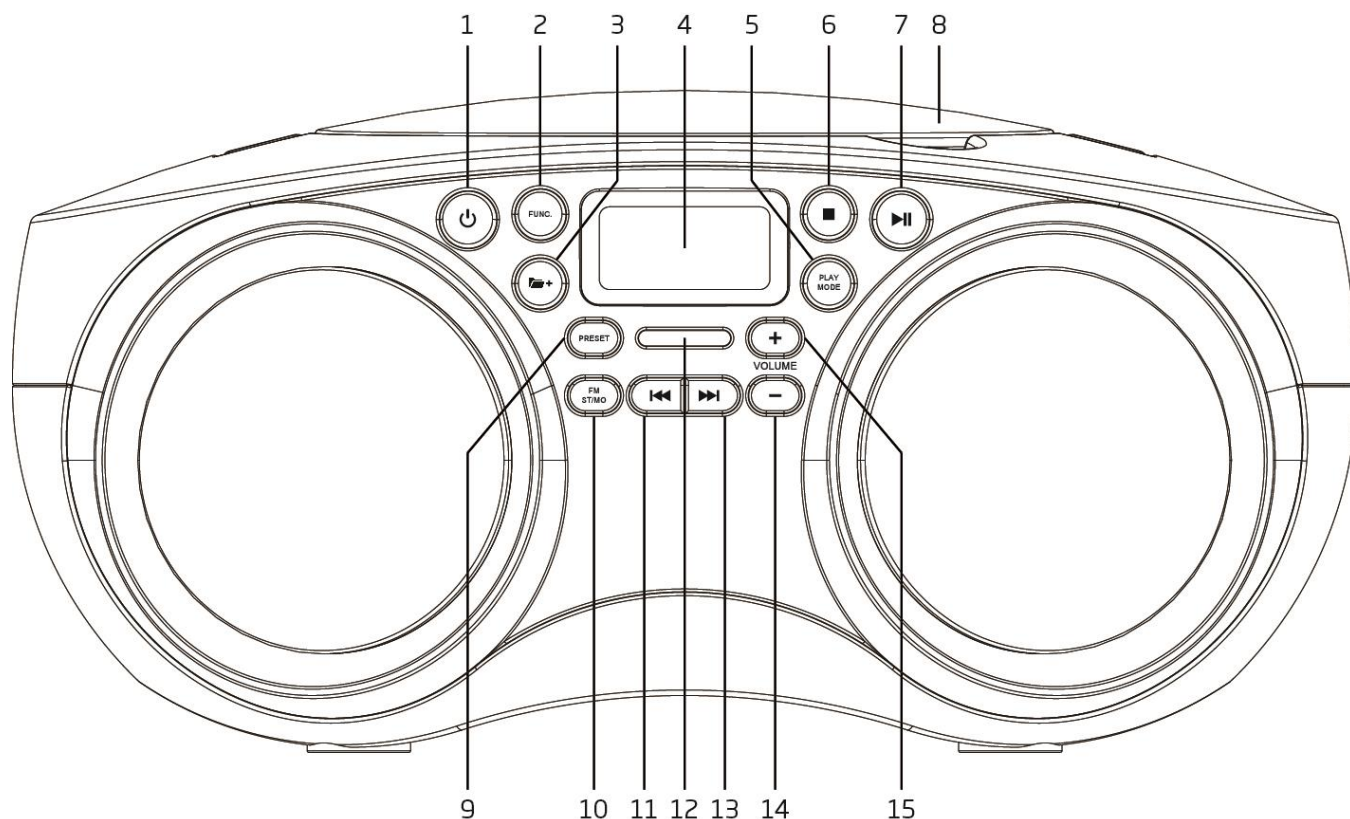
30. El aparato solo debe usarse en climas moderados o extremadamente fríos y deben evitarse los entornos calurosos.
31. La etiqueta identificativa aparece marcada en la parte inferior o en el trasero del aparato.
32. Este aparato no está diseñado para su uso por personas (incluyendo niños) con discapacidades físicas, sensoriales o mentales o con falta de experiencia o conocimientos, salvo que estén bajo la supervisión o hayan recibido formación sobre el uso correcto del dispositivo por parte de una persona responsable de su seguridad.
33. Este producto está diseñado para un uso no profesional únicamente y no para un uso comercial o industrial.
34. Asegúrese de que la unidad esté fijada en una posición estable. Los daños provocados por utilizar este producto en una posición inestable o por no seguir cualquier otra advertencia o precaución incluida en este manual de usuario no estarán cubiertos por la garantía.
35. No retire nunca la carcasa de este aparato.
36. Nunca coloque el aparato sobre otro equipo eléctrico.
37. No utilice ni guarde el producto en lugares expuestos a la luz solar directa, a altas temperaturas, a la vibración ni en ambientes excesivamente polvorientos.
38. Mantenga las bolsas de plástico fuera del alcance de los niños.
39. Use únicamente los dispositivos/accesorios especificados por el fabricante.
40. Remita todas las reparaciones al personal cualificado. La reparación es necesaria cuando el aparato presente cualquier tipo de daño, como el cable de alimentación o el enchufe, cuando se haya derramado líquido o hayan caído objetos sobre el aparato, o cuando el aparato se haya visto expuesto a la lluvia o humedad, o no funcione normalmente o se haya caído.
41. \*No utilice un cable de alimentación o enchufe deteriorado o una toma suelta. Si lo hace, podría provocar un incendio o una descarga eléctrica.
42. La exposición prolongada a sonidos fuertes de reproductores personales de música puede provocar pérdida de audición temporal o permanente.

## **INSTALACIÓN**

- Desembale todas las piezas y retire el material protector.
- \*No conecte la unidad a la corriente eléctrica antes de comprobar la tensión de la corriente y antes de que se hayan hecho todas las demás conexiones.

**\* Estas instrucciones solo están relacionadas con productos que usen un cable de alimentación o un adaptador de corriente CA.**

## PANEL FRONTAL



1. ESPERA 

Púselo para encender la unidad. Vuélvalo a pulsar para apagarla y entrar en modo en espera.
2. FUNC.
 

Púselo para elegir diferentes modos de funcionamiento: FM/CD/USB/AUX IN
3. CARPETA + +
 

Púselo para cambiar a la siguiente carpeta (solo para archivos MP3).
4. PANTALLA
 

Muestra el estado de funcionamiento de la unidad e información
5. MODO REPRODUCCIÓN
 

Púselo para cambiar a diferentes modos de reproducción de funcionamiento.
6. DETENER 

Púselo para detener el funcionamiento de la reproducción del CD/USB.
7. REPRODUCIR/PAUSA 

FM: Manténgalo pulsado para iniciar una búsqueda automática y guardar todas las emisoras FM disponibles.  
 CD/USB : Púselo para cambiar entre el funcionamiento de reanudar la reproducción pausa.
8. PUERTA DEL COMPARTIMENTO DE DISCOS CD
9. PREDEFINIDA
 

Púselo para sintonizar la siguiente emisora FM presintonizada.
10. FM ESTÉREO/MONO
 

FM: Púselo para cambiar entre estéreo y fuerza mono cuando se recibe una emisora FM.
11. ANTERIOR 

FM: Púselo para sintonizar una frecuencia diferente. Manténgala pulsada para buscar la siguiente emisora disponible  
 CD/USB : Púselo para saltar a la pista anterior.
12. LED de alimentación
13. SIGUIENTE 

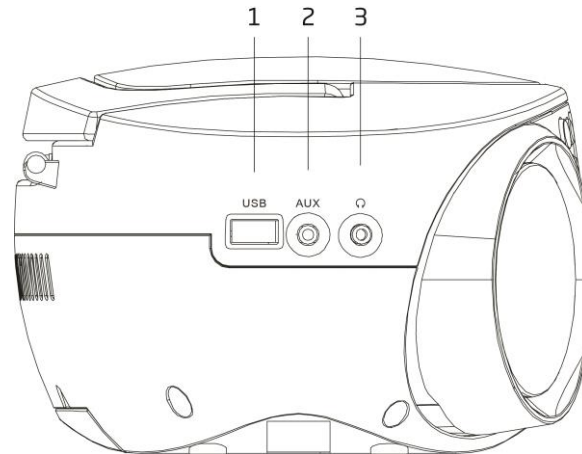
FM: Púselo para sintonizar una frecuencia diferente. Manténgala pulsada para buscar la siguiente emisora disponible  
 CD/USB : Púselo para saltar a la pista siguiente.
14. VOLUMEN -
 

Disminuye el volumen principal.
15. VOLUMEN +
 

Aumenta el volumen principal.

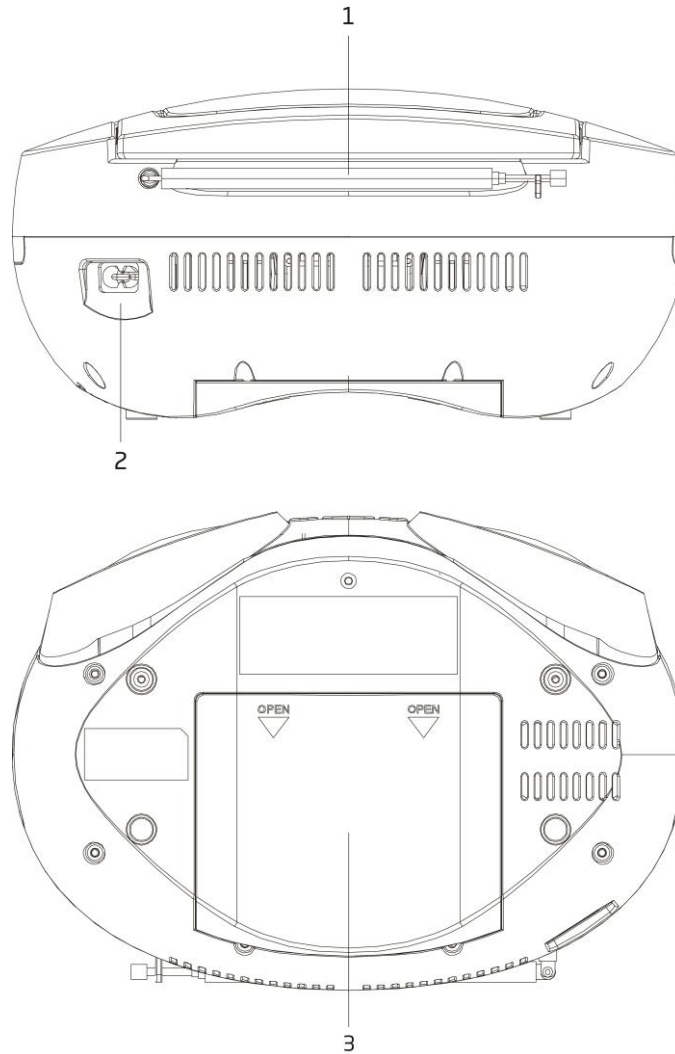


## LATERAL




1. ENTRADA USB
2. ENTRADA AUX  
Conéctelo al reproductor de audio externo
3. CONECTOR DE SALIDA DE AURICULARES  
Conéctelo al auricular externo

## PARTE POSTERIOR E INFERIOR



1. ANTENA  
La antena debe estar desplegada para garantizar una buena recepción FM
2. ENTRADA ~ CA  
Conecte el cable de alimentación a esta toma.
3. PUERTA DEL COMPARTIMENTO DE LAS PILAS

## CONEXIÓN A LA CORRIENTE ELÉCTRICA

1. Conecte el extremo del cable eléctrico extraíble a la entrada de corriente del panel trasero de la unidad y el otro extremo a la toma eléctrica.
2. Pulse el botón STANDBY  para encender la unidad.



## USO DE LA ALIMENTACIÓN POR BATERÍA

Para utilizarlo con CC, retire primero el conector de CA de la toma de CA y desconecte el cable de CA del conector de entrada de corriente. Posteriormente inserte 6 pilas tamaño C (UM-2) (NO se suministran) en el compartimento de las pilas.

Nota:

- Como la unidad extrae un poco de alimentación del modo en espera de las pilas, retire estas si no va a usarse la unidad durante un periodo prolongado de tiempo.

## OPERACIONES BÁSICAS

Pulse el botón STANDBY  para encender la unidad. Para apagarla, vuelva a pulsar el botón STANDBY .

## FM/CD/USB/AUX IN

Pulse el botón FUNC. para seleccionar entre las diferentes fuentes.

## Control de volumen


Pulse los botones VOLUME +/- para cambiar el volumen.

## Ajuste de la antena



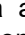
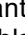
La antena situada en el panel posterior de la unidad debe estar totalmente extendida para asegurar una buena recepción FM. Cambie la posición de la antena para conseguir la mejor recepción.

## FUNCIONAMIENTO DE LA RADIO FM

### Búsqueda automática



1. Encienda la unidad en modo FM.
2. Mantenga pulsado el botón  para iniciar la búsqueda automática y guardar las emisoras disponibles (almacenamiento máximo 30).

### Búsqueda manual

1. Pulse el botón PREVIOUS  o NEXT  de forma reiterada para sintonizar una frecuencia diferente.
2. De forma alternativa mantenga pulsado el botón PREVIOUS  o NEXT  para buscar automáticamente la siguiente emisora disponible.

### Guardar presintonías FM

Puede guardar hasta 30 presintonías FM.

1. Sintonice la emisora que desee guardar.
2. Mantenga pulsado el botón PRESET. Se muestra el número de emisora presintonizada parpadeando.
3. Pulse el botón PREVIOUS  o NEXT  para ir al número de presintonía donde los desea guardar. Posteriormente, pulse el botón PRESET para guardarlo.

### Recordar presintonías FM

Pulse el botón PRESET para sintonizar la siguiente emisora FM presintonizada disponible.

### Selección de Estéreo / Fuerza Mono

Cuando se recibe una emisora FM que emite en estéreo, pulsar el botón FM ST/MO cambiará entre el audio estéreo y fuerza mono.

## FUNCIONAMIENTO DE CD/USB

### Carga y reproducción de discos CD

Abra la tapa del CD. Inserte un disco con el lado de la etiqueta de CD hacia arriba. Cierre la puerta del CD. Pulse el botón FUNC. para ir al modo CD. Tras la lectura, se mostrará el número total de pistas en la pantalla y empezará a reproducirlo automáticamente.

### Lectura y reproducción del dispositivo USB

Inserte un dispositivo USB en una toma de entrada USB. Pulse el botón FUNC. para ir al modo USB. Tras su lectura en pantalla se mostrará el número total de pistas. Empezará a reproducir automáticamente.

### Control de reproducción/pausa

Para hacer una pausa en la reproducción, pulse el botón REPRODUCIR/PAUSAR . Pulse el botón de nuevo para retomar la reproducción.

### Control de parada

Para detener la reproducción, pulse el botón PARAR ■.

### Saltar pista

Durante la reproducción, pulse el botón PREVIOUS ◀◀ o NEXT ▶▶ para saltar a la pista anterior o siguiente.

### Búsqueda de música a alta velocidad

Durante la reproducción, mantenga pulsado el botón PREVIOUS ◀◀ o NEXT ▶▶ para iniciar una búsqueda a alta velocidad.

Cuando suelte el botón PREVIOUS ◀◀ o NEXT ▶▶ se reanudará la reproducción a velocidad normal.

### Repetir reproducción/Reproducción aleatoria

#### Modo de disco CD

Durante la reproducción, pulse el botón PLAY MODE una vez; la pantalla muestra "REPEAT1". La pista actual se reproducirá repetidamente.

Cuando se vuelve a pulsar el botón PLAY MODE, la pantalla muestra "REPEAT ALL". Todas las pistas se reproducirán repetidamente.

Cuando se vuelve a pulsar el botón PLAY MODE, la pantalla muestra "RAND". Todas las pistas se reproducirán en orden aleatorio.

Cuando se vuelve a pulsar el botón PLAY MODE, la unidad reanudará la reproducción normal.

#### Modo de disco MP3 o USB MP3

Durante la reproducción, pulse el botón PLAY MODE una vez; la pantalla muestra "REPEAT1". La pista actual se reproducirá repetidamente.

Cuando se vuelve a pulsar el botón PLAY MODE, la pantalla muestra "REPEAT FOLDER". Todas las pistas de la carpeta actual se reproducirán repetidamente.

Cuando se vuelve a pulsar el botón PLAY MODE, la pantalla muestra "REPEAT ALL". Todas las pistas se reproducirán repetidamente.

Cuando se vuelve a pulsar el botón PLAY MODE, la pantalla muestra "RAND". Todas las pistas se reproducirán en orden aleatorio.

Cuando se vuelve a pulsar el botón PLAY MODE, la unidad reanudará la reproducción normal.

### Reproducción programada

Esta unidad puede programarse para reproducir una secuencia de pistas seleccionadas.

1. Inserte un disco CD y en modo parada pulse el botón PLAY MODE. Se muestra "PROG" con un número de programa parpadeando en la pantalla.
  2. Pulse el botón ANTERIOR ◀◀ o SIGUIENTE ▶▶ para seleccionar la pista que desee.
  3. Pulse el botón PLAY MODE para guardar la pista que desee.
  4. Repita los pasos 2-4 para programar hasta 20 pistas.
  5. Pulse el botón PLAY/PAUSE ▶|| para iniciar la reproducción de las pistas programadas.
  6. Para borrar la reproducción programada, pulse dos veces el botón PARAR ■ o cambie a otro modo.
  7. Durante la reproducción del programa, asimismo puede hacer la operación "Repetir una" o "Repetir todo"; sin embargo, no es compatible la reproducción aleatoria.
- Para discos MP3 o MP3 USB, puede programar hasta 99 pistas.

### Seleccionar Carpeta (solo archivos MP3)

Durante la reproducción en MP3, pulse el botón FOLDER + [ ] + para cambiar a la siguiente carpeta.

En modo parada, pulse el botón FOLDER + [ ] + para cambiar a la siguiente carpeta. Posteriormente, pulse el botón ANTERIOR ◀◀ o SIGUIENTE ▶▶ para seleccionar la pista que desee reproducir. Pulse el botón PLAY/PAUSE ▶|| para iniciar la reproducción de las pistas.

Nota:


- Para la reproducción MP3, es compatible un máximo de 99 carpetas con un máximo de 999 archivos.
- Debido al mecanismo de lectura / escritura del archivo USB, se reproducirá primero el primer archivo escrito en el dispositivo USB y el último escrito se reproducirá el último. (La unidad no les clasificará alfabéticamente)

### ENTRADA AUX

Esto le permite conectar una fuente de sonido externa.

1. Conecte el cable de audio de 3.5mm (no incluido) en la salida de línea del reproductor externo y el otro extremo en la toma AUX.
2. Pulse el botón FUNC. para entrar en el modo AUXILIAR. La pantalla muestra "AU".
3. Empiece a reproducir música con el reproductor externo.
4. La unidad reproducirá el sonido.

### **AHORRO DE ENERGÍA**

Esta unidad cumple con las exigencias ERP2, lo que indica que esta unidad entrará en modo en espera si no se reproduce música durante 15 minutos. Para reactivarla, pulse el botón STANDBY .

### **ACCESORIOS**

- 1 cable de alimentación
- 1 manual de instrucciones

### No se enciende

- Asegúrese de que el cable de alimentación está conectado con seguridad.
- Asegúrese de que la unidad está encendida.

### La unidad no responde cuando se pulsa cualquier botón.

- Retire las pilas (cuando estén insertadas) y retire el cable de alimentación durante un minuto. Posteriormente, vuelva a insertar las pilas.

### No hay salida de sonido

- Suba el volumen con VOL+.

### El disco está en su lugar pero la unidad no lo reproduce

- Asegúrese de que la etiqueta del disco está hacia arriba.
- Asegúrese de que el disco está limpio.
- Puede que esté activado el modo PAUSA; desactívelo.
- El disco puede estar dañado o sucio; compruébelo y limpie el disco.

### Recepción de FM

- Asegúrese de que la antena telescópica FM esté extendida completamente.
- Las interferencias eléctricas en su hogar pueden causar una mala recepción. Aleje la unidad de las mismas (especialmente de aparatos con motor y transformadores).

### La unidad se apaga automáticamente durante la reproducción

- Aumente el nivel de volumen de su fuente de sonido conectada (reproductor de DVD /TV etc.)

### Interferencia de sonido que procede de los altavoces

- Aleje cualquier dispositivo inalámbrico (teléfono móvil, dispositivo Bluetooth, etc.) de la unidad.

### ESPECIFICACIONES TÉCNICAS

Alcance de frecuencia de radio FM	87,5-108 MHz
Entrada de alimentación CA	230 V, 50 Hz
Consumo de energía	13W
Potencia de salida del altavoz	2 x 1W RMS
USB	Toma USB 2.0 tipo A
Entrada AUX	Toma estéreo de 3.5mm
Salida de auriculares	Toma estéreo de 3.5mm
Dimensiones de la unidad (L x P x A)	280 x 183 x 136mm
Peso total	1.2kg

- Las especificaciones se aplican únicamente como referencia; por lo tanto los tamaños y el peso pueden variar.
- Nuestros productos se mejoran de forma continua. Las especificaciones y las funciones pueden cambiarse sin previo aviso.

## 1. Garantía

Lenco ofrece servicio y garantía en cumplimiento con las leyes de la Unión Europea, lo cual implica que, en caso de que su producto precise ser reparado (tanto durante como después del periodo de garantía), deberá contactar directamente con su distribuidor.

Nota importante: No es posible enviar sus reparaciones directamente a Lenco.

Nota importante: Si la unidad es abierta por un centro de servicio no oficial, la garantía quedará anulada.

Este aparato no es adecuado para el uso profesional. En caso de darle un uso profesional, todas las obligaciones de garantía del fabricante quedarán anuladas.

## 2. Exención de responsabilidad

Regularmente se llevan a cabo actualizaciones en el Firmware y en los componentes del hardware. Por esta razón, algunas de las instrucciones, especificaciones e imágenes incluidas en este documento pueden diferir ligeramente respecto a su situación particular. Todos los elementos descritos en esta guía tienen un objetivo de mera ilustración, y pueden no ser de aplicación en su situación particular. No se puede obtener ningún derecho ni derecho legal a partir de la descripción hecha en este manual.

## 3. Eliminación del antiguo dispositivo



Este símbolo indica que no deberá deshacerse del producto eléctrico o batería en cuestión junto con los residuos domésticos, en el ámbito de la UE. Para garantizar un tratamiento residual correcto del producto y su batería, por favor, elimínelos cumpliendo con las leyes locales aplicables sobre requisitos para el desecho de equipos eléctricos y baterías. De hacerlo, ayudará a conservar recursos naturales y mejorar los estándares de protección medioambiental en el tratamiento y eliminación de residuos eléctricos (Directiva sobre la Eliminación de Equipos Eléctricos y Electrónicos).



## 4. Marca CE

Por la presente, Lenco Benelux B.V., Thermiekstraat 1a, 6361 HB Nuth, Países Bajos, declara que este producto cumple con las exigencias esenciales de la directiva de la UE. La declaración de conformidad puede consultarse mediante [techdoc@commaxxgroup.com](mailto:techdoc@commaxxgroup.com)



## 5. Service (Servicio)

Para obtener más información y soporte del departamento técnico, por favor, visite la página web [www.lenco.com](http://www.lenco.com)  
Lenco Benelux BV, Thermiekstraat 1a, 6361 HB, Países Bajos.