

# Lenco

**Model No: Xemio-769**



**User Manual – MP3/4 player with Bluetooth and 8GB micro SD card**

**Gebruikershandleiding – MP3/4-speler met Bluetooth  
en 8GB microSD-kaart**

**Bedienungsanleitung – MP3/4-Player mit Bluetooth  
und 8-GB-microSD-Karte**

**Mode d'emploi – Lecteur MP3/4 avec Bluetooth  
et carte microSD de 8 Go**

**Manual del usuario – Reproductor MP3/4 con Bluetooth  
y tarjeta microSD de 8GB**

|                 |    |
|-----------------|----|
| Index           |    |
| ENGLISH .....   | 3  |
| NEDERLANDS..... | 10 |
| DEUTSCH.....    | 18 |
| FRANÇAIS .....  | 26 |
| ESPAÑOL .....   | 34 |

**CAUTION:**

Usage of controls or adjustments or performance of procedures other than those specified herein may result in hazardous radiation exposure.

This unit should not be adjusted or repaired by anyone except qualified service personnel.

**PRECAUTIONS BEFORE USE****KEEP THESE INSTRUCTIONS IN MIND:**

1. Do not use this device near water.
2. Clean only with a slightly damp cloth.
3. Do not cover or block any ventilation openings. When placing the device on a shelf, leave 5 cm (2") free space around the whole device.
4. Install in accordance with the supplied user manual.
5. \*Don't step on or pinch the power adaptor. Be very careful, particularly near the plugs and the cable's exit point. Do not place heavy items on the power adaptor, which may damage it. Keep the entire device out of children's reach! When playing with the power cable, they can seriously injure themselves.
6. \*Unplug this device during lightning storms or when unused for a long period.
7. Keep the device away from heat sources such as radiators, heaters, stoves, candles and other heat-generating products or naked flame.
8. Avoid using the device near strong magnetic fields.
9. Electrostatic discharge can disturb normal usage of this device. If so, simply reset and restart the device following the instruction manual. During file transmission, please handle with care and operate in a static-free environment.
10. Warning! Never insert an object into the product through the vents or openings. High voltage flows through the product and inserting an object can cause electric shock and/or short circuit internal parts. For the same reason, do not spill water or liquid on the product.
11. Do not use in wet or moist areas such as bathrooms, steamy kitchens or near swimming pools.
12. Do not use this device when condensation may occur.
13. Although this device is manufactured with the utmost care and checked several times before leaving the factory, it is still possible that problems may occur, as with all electrical appliances. If you notice smoke, an excessive build-up of heat or any other unexpected phenomena, you should disconnect the plug from the main power socket immediately.
14. This device must operate on a power source as specified on the specification label. If you are not sure of the type of power supply used in your home, consult your dealer or local power company.
15. \*The socket outlet must be installed near the equipment and must be easily accessible.
16. \*Do not overload ac outlets or extension cords. Overloading can cause fire or electric shock.
17. \*Devices with class 1 construction should be connected to a main socket outlet with a protective earthed connection.
18. \*Devices with class 2 construction do not require a earthed connection.
19. Keep away from rodents. Rodents enjoy biting on power cords.
20. \*Always hold the plug when pulling it out of the main supply socket. Do not pull the power cord. This can cause a short circuit.
21. Avoid placing the device on any surfaces that may be subject to vibrations or shocks.
22. To clean the device, use a soft dry cloth. Do not use solvents or petrol based fluids. To remove severe stains, you may use a damp cloth with dilute detergent.
23. The supplier is not responsible for damage or lost data caused by malfunction, misuse, modification of the device or battery replacement.
24. Do not interrupt the connection when the device is formatting or transferring files. Otherwise, data may be corrupted or lost.
25. If the unit has USB playback function, the usb memory stick should be plugged into the unit directly. Don't use an usb extension cable because it can cause interference resulting in failing of data.
26. The apparatus shall not be exposed to dripping or splashing and make sure that no objects filled with liquids, such as vases, are placed on or near the apparatus.
27. \*To completely disconnect the power input, the mains plug of the apparatus shall be disconnected from the mains, as the disconnect device is the mains plug of apparatus.
28. If the unit works with battery, Battery shall not be exposed to excessive heat such as sunshine, fire or the like.
29. Attention should be drawn to the environmental aspects of battery disposal.
30. The apparatus can only be used in moderate extremely cold or climates warm environments should be avoided.
31. The rating label has been marked on the bottom or back panel of the apparatus.

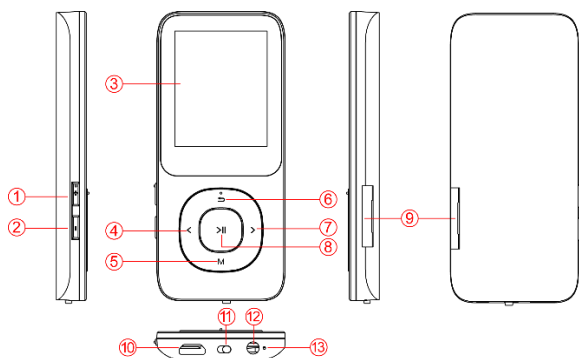
32. This device is not intended for use by people (including children) with physical, sensory or mental disabilities, or a lack of experience and knowledge, unless they're under supervision or have received instructions about the correct use of the device by the person who is responsible for their safety.
33. This product is intended for non professional use only and not for commercial or industrial use.
34. Make sure the unit is adjusted to a stable position. Damage caused by using this product in an unstable position or by failure to follow any other warning or precaution contained within this user manual will not be covered by warranty.
35. Never remove the casing of this apparatus.
36. Never place this apparatus on other electrical equipment.
37. Do not use or store this product in a place where it is subject to direct sunlight, heat, excessive dust or vibration.
38. Do not allow children access to plastic bags.
39. Only use attachments/accessories specified by the manufacturer.
40. Refer all servicing to qualified service personnel. Servicing is required when the apparatus has been damaged in any way, such as the power supply cord or the plug, when liquid has been spilled or objects have fallen into the apparatus, when the apparatus has been exposed to rain or moisture, does not operate normally, or has been dropped.
41. \*Do not use a damaged power cord or plug or a loose outlet. Doing so may result in fire or electric shock.
42. Prolonged exposure to loud sounds from personal music players may lead to temporary or permanent hearing loss.

#### **INSTALLATION**

- Unpack all parts and remove protective material.
- \*Do not connect the unit to the mains before checking the mains voltage and before all other connections have been made.

**\*Those instructions are related only to products using power cable or AC power adaptor.**

## • Controls at a glance:



- 1) [VOL+]: Increase the volume.
- 2) [VOL-]: Decrease the volume.
- 3) **Screen:** 1.8inch TFT.
- 4) [◀◀]: Short press for previous track/long press to rewind.
- 5) [M]: When on the song screen, press M to change play mode.
- 6) [↶]: Return to previous menu.
- 7) [▶▶]: Short press for next track/long press to fast forward.
- 8) [▶||]: Enter key/play and pause/long press to switch on/off.
- 9) [SD]: Micro SD card slot, Supports up to 64GB.
- 10) [USB]: Micro USB port, data transferring & recharging
- 11) [ON/OFF]: ON/OFF switch.
- 12) **Earphone Socket:**  $\phi 3.5\text{mm}$
- 13) **MIC:** recording voice

## • Connect to the PC & Download audio files from PC

Connect the player to computer for downloading the files or charging the player.

1. Make sure that your computer is switched on before you connect the Xemio to your computer
2. Use the enclosed Micro USB cable to connect it to your computer and it loads to a screen indicating “Charge & transfer” or “Charge & play”.
3. The player has no built-in memory. Your music/video files have to be stored on a MicroSD card (included).
  - 3.1 If the player is connected with MicroSD inserted, the computer will show it as removable disk.
  - 3.2 If the player is connected without MicroSD inserted, the computer will recognize it but doesn’t show it as removable disk.
4. When the MicroSD card is inserted, you can drag and drop files from your computer to your Xemio player.

### Note:

1. The battery charging animation will show when the player is connected to the computer.
2. Do not disconnect the player from computer during data transfer, it may damage the player/MicroSD card.
3. When the powerswitch (11) is off, the computer will recognize the player, but the battery will not be charged.

### Important notice:

- If the player doesn’t power up, please check the powerswitch (11). It must be switched to “on”;
- Make sure the powerswitch (11) is in the ‘on’ position before charging the player, to prevent reminding messages on the lcd screen.
- The player comes without built-in memory, please insert a Micro SD card into the player before operation;
- The players Bluetooth mode is only for transmitting to Bluetooth devices like headsets or speakers. It can’t be connected to mobile phones or computers.

## • Basic Operation

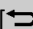
| Function                  | Instruction  |
|---------------------------|--|
| <b>Power on/off</b>       | <ul style="list-style-type: none"> <li>• Turn the power switch (11) to ‘on’ to power on the player</li> <li>• If the player does not power on then long press ▶   button to power on.</li> <li>• When no buttons are pressed or no music is played for some time, the player will power off automatically to save battery, it will power off automatically by itself.</li> </ul>   |
| <b>Main menu</b>          | <ul style="list-style-type: none"> <li>• Use the arrow to navigate through the main menu and select the desired function with the play/pause button (8) (Music, Bluetooth, Video, Pictures, Recorder, EBook, Folder view, Settings or Tools.)</li> </ul>   |
| <b>Listening to music</b> | <p>Select the Music icon and push the play/pause (8) button, a new list will appear showing the following: All songs, Last played, Artists, Albums, Genres, Playlists and Update Playlist.</p> <ul style="list-style-type: none"> <li>• Press the play/pause (8) button on “all songs”. Choose a song and press the play/pause (8) button to start playing on ‘All songs’ and select one song then the player will start playing.</li> </ul> |
| <b>Bluetooth</b>          | <p>Select the Bluetooth icon and press the play/pause (8) button.</p> <p>A list will appear showing the following: BT Control, Search Device, Device List, All Songs, and Now</p>  |

|                                 |   |
|---------------------------------|---|
|                                 | <p>Playing.</p> <p>Push the play/pause (8) button on 'BT Control' then select 'On' to activate the Bluetooth.</p> <ul style="list-style-type: none"> <li>• Press the play/pause (8) button on 'Search Device' to start searching for available Bluetooth devices, select your desired device and press the play/pause (8) button then press the play/pause (8) button on the 'pair' option to connect to that Bluetooth device. "BT connected" will show on the display when the device is successfully connected.</li> <li>• Now use the next (7) or previous (4) buttons to navigate to "All Songs" and press the play/pause (8) button on the desired song to start playing.</li> </ul>  |
| <b>Video</b>                    | <p>Select the video icon on the main menu and push the Play/pause (8) button. If there are videofiles available on your MicroSD card, they will now appear.</p> <p>Format supported: AVI/AMV (The resolution may not be higher than 120×160pixels), Please check the instructions below for video conversion</p> <ul style="list-style-type: none"> <li>• Select a video from the list and push the Play/pause (8) button to start playing,</li> <li>• Press next (7) or previous (4) key to go to next/previous video.</li> <li>• Press and hold next (7) or previous (4) arrow key to fast forward/rewind.</li> <li>• Press the Play/pause (8) to play/pause the video</li> <li>• Press the [M] button (5) to select 'Repeat', 'Delete video', 'Update Playlist' during video playing, press the Play/pause (8) button to confirm.</li> </ul>   |
| <b>Picture</b>                  | <p>Select icon <b>Picture</b> on the main menu and push the center button, it will display a list of images available.</p> <ul style="list-style-type: none"> <li>• Push the right single arrow key to move to the image you want to view.</li> <li>• Press the center button to confirm playing the image.</li> <li>• When the player is on the picture screen, push [M] button (5) and it will display 'Slideshow settings', 'Delete picture', push the Play/pause (8) button to confirm setup.</li> <li>• Press [↩] to go back to the main menu.</li> </ul>  |
| <b>Recorder</b>                 | <p>Select <b>Recorder</b> icon on the main menu, and push the Play/pause (8) button, a new list will appear showing the following: 'Record voice', 'Record lib.', and 'Set record'.</p> <ul style="list-style-type: none"> <li>• Select option 'Record voice' and push the center button on it, the player will indicate 'Please wait' and then recording starts.</li> <li>• Push the center button to pause the recording.</li> <li>• Push [↩] and the player indicates 'Save recording?', select yes and push center button to save it.</li> <li>• Select option 'Set record' and push the center button to enter the settings of 'Bitrate', you can move the right arrow key to choose '512kbps/768kbps/1024kbps/1536kbps' for recordings.</li> </ul>  |
| <b>Listen to the recordings</b> | <p>Select <b>Recorder</b> icon on the main menu, push the right single arrow key (7) to move to option 'Record lib.'.</p> <ul style="list-style-type: none"> <li>• Push the Play/pause (8) button to enter, the player shows 'Delete All', and a list of recorded files.</li> <li>• Select one recorded file and press Play/pause (8) button to start listening to the file you want.</li> </ul>  |
| <b>EBook</b>                    | <p>Select <b>Ebook</b> icon on the main menu and push the center button, it will appear a list of all the EBook files available.</p> <p>EBook Supported format are. TXT files</p> <ul style="list-style-type: none"> <li>• Push the next (7) or previous (4) key to move to the file you want to view, and push the Play/pause (8) button to view the file.</li> <li>• When on the e-book screen, Pushing the [M] button (5) will display a new option list: 'Play setting', 'Delete eBook', 'Delete bookmark', 'Add bookmark' and 'Page select'.</li> </ul> <p>Select '<b>Play setting</b>' to set the Auto play time per page: from 2 seconds to 30 seconds, then press the play/pause (8) button to confirm</p> <ul style="list-style-type: none"> <li>• When on the e-book screen, push the center button to start Auto playing (a play icon will show on the top of display).</li> <li>• Press [↩] (6) to go back to the main menu.</li> </ul> |
| <b>Folder View</b>              | <p>Select <b>Folder</b> icon on the main menu and push the Play/pause button, the player will show all the files inside, including Music files, video files, images, and EBook files.</p> <ul style="list-style-type: none"> <li>• Press the next (7) or previous (4) button to move to any file you want to view, and push the Play/pause(8) button to start playing, the basic operations are similar to above-mentioned content.</li> <li>• Press [↩] (6) to go back to the main menu.</li> </ul>  |
| <b>Settings</b>                 | <ul style="list-style-type: none"> <li>• Select icon <b>Setting</b> on the main menu and push the Play/pause (8), it will show a list as following:</li> </ul>  |


- **Restore device:** Restore factory settings, select 'Yes' and push the Play/pause (8) button to confirm restoring, the player will reboot;
- **Ear protect:** Enables/disable high volume message if volume level is over 20;
- **Sleep timer:** When activated the player will shut down after the chosen time, regardless if the music is playing or not. You can choose between 15min, 30min, 60min, 100min, or choose "turn off" to disable this function.  
*Note: The sleep timer will be set to the default setting "Turn off" when the Xemio is turned off/on again.*
- **Power saving:** When the player is idle, it will shut down automatically after the configured time. You can select Turn off, 30s, 1min, 2min.
- **Backlight timer:** The display will darken at the configured time. The Xemio will still be active. Press any key to reactivate the display. You can choose 10s, 20s, 30s or Always on.
- **Language:** Press next (7) or previous (4) to select the desired language and press the play/pause (8) button to confirm
- **Information:** Will show 'Player info' & 'Disk space' of the Player.
- **Format Device:** Will erase all data on the memory card. Pressing the Play/pause (8) button will show the warning message "All data will be erased. Continue?". Select "yes" to start erasing.
- **Auto upgrade:** If a new firmware is released, you can install the FW on the MicroSD. Press the Play/pause (8) button, when the firmware file is selected, to start upgrading.  
*Note: you are suggested to consult with our technical support before upgrading the player, because improper upgrade may damage the player.*

#### Tools

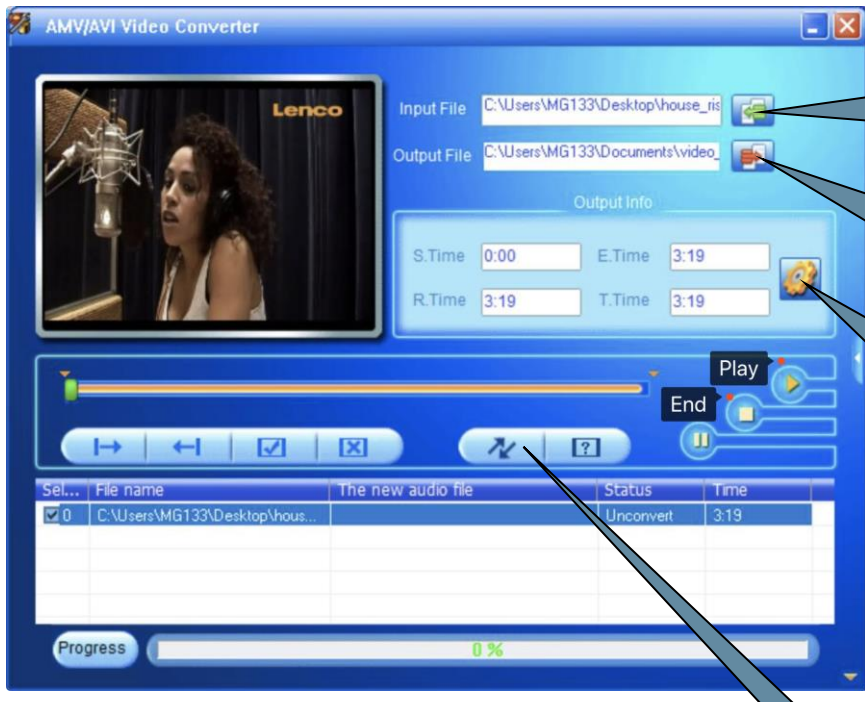
In the tools section you find the stopwatch function. Press the play/pause (8) button to start the stopwatch. It will show 5 (lap) times, which you can select with the next (7) or previous (4) buttons. Pressing the play/pause (8) button will start/stop the active (lap) timer. Press [M] (5) to reset all (lap) timers

- Press [] (6) to go back to the main menu.

## Install the video converting tool

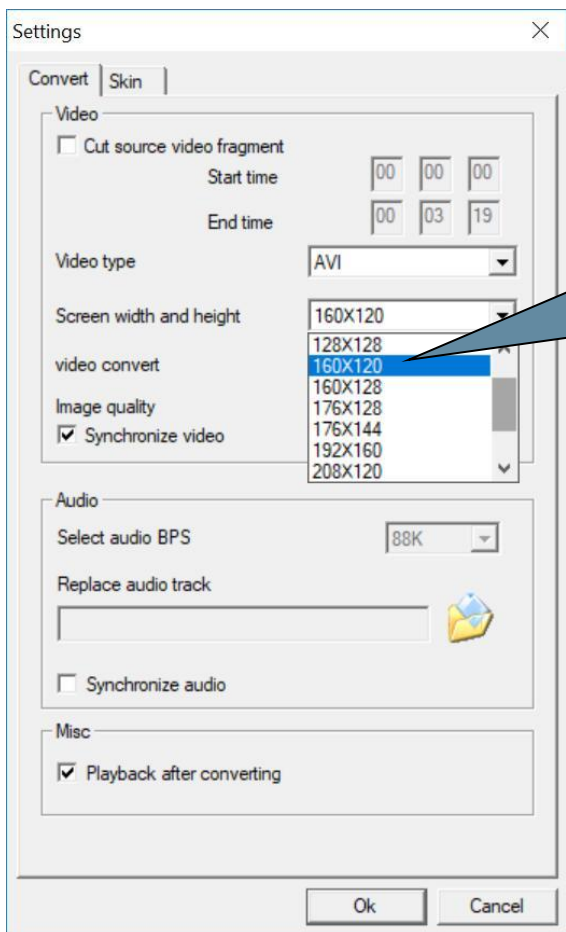
1. Double click  `amvtransform.exe` to run the video conversion tool.
2. Convert the video files.

Please follow below steps to complete the video convert:



The screenshot shows the main interface of the AMV/AVI Video Converter. It includes a video preview window on the left, input and output file fields, a progress bar, and a table of conversion tasks. Callouts point to specific controls:

- 1:** Click this to input original video files. (Points to the 'Input File' browse button)
- 2:** Click this for path to save files converted. (Points to the 'Output File' browse button)
- 3:** Click this to setup the configuration: (See below step 4)  
*Note: if this part is grey, please click 'Play' and then 'End' to activate it* (Points to the gear icon for settings)



The screenshot shows the 'Settings' dialog box with the 'Convert' tab selected. Callouts point to specific settings:

- 4:** Please select '160X120' and click 'OK' return to converting menu. (Points to the '160X120' option in the 'video convert' dropdown menu)
- 5:** Click here to start video converting. (Points to the 'Play' button in the main interface)



## Guarantee

Lenco offers service and warranty in accordance to European law, which means that in case of repairs (both during and after the warranty period) you should contact your local dealer.

Important note: It is not possible to send products that need repairs to Lenco directly.

Important note: If this unit is opened or accessed by a non-official service center in any way, the warranty expires.

This device is not suitable for professional use. In case of professional use, all warranty obligations of the manufacturer will be voided.

## Disclaimer

Updates to Firmware and/or hardware components are made regularly. Therefore some of the instruction, specifications and pictures in this documentation may differ slightly from your particular situation. All items described in this guide for illustration purposes only and may not apply to particular situation. No legal right or entitlements may be obtained from the description made in this manual.

## Disposal of the Old Device



This symbol indicates that the relevant electrical product or battery should not be disposed of as general household waste in Europe. To ensure the correct waste treatment of the product and battery, please dispose them in accordance to any applicable local laws of requirement for disposal of electrical equipment or batteries. In so doing, you will help to conserve natural resources and improve standards of environmental protection in treatment and disposal of electrical waste (Waste Electrical and Electronic Equipment Directive).



## Service

For more information and helpdesk support, please visit [www.lenco.com](http://www.lenco.com)

Lenco Benelux BV, Thermiekstraat 1a, 6361 HB, The Netherlands.

**LET OP:**

Gebruik van bedieningen of afstellingen of uitvoer van procedures anders dan gespecificeerd in deze documentatie kan leiden tot blootstelling aan schadelijke straling.

Dit apparaat dient uitsluitend te worden aangepast of gerepareerd door gekwalificeerd onderhoudspersoneel.

**VOORZORGSMAATREGELEN VOOR GEBRUIK****ONTHOUD DE VOLGENDE INSTRUCTIES:**

1. Gebruik dit apparaat niet in de buurt van water.
2. Reinig het uitsluitend met een licht vochtige doek.
3. Bedek of blokkeer de ventilatieopeningen niet. Wanneer u het apparaat op een schap plaatst, dient u 5 cm (2") vrije ruimte rondom het gehele apparaat te behouden.
4. Installeer het product volgens de meegeleverde gebruikershandleiding.
5. \*Nooit op de stroomadapter stappen of deze indrukken. Wees voornamelijk voorzichtig in de buurt van de stekkers en het punt waar de kabel uit het apparaat komt. Plaats geen zware voorwerpen op de stroomadapter, om beschadiging ervan te voorkomen. Houd het gehele apparaat buiten bereik van kinderen! Wanneer kinderen met de voedingskabel spelen, kunnen zij ernstig letsel oplopen.
6. \*Haal de stekker uit het stopcontact tijdens onweer of wanneer u deze langere tijd niet gebruikt.
7. Houd het apparaat uit de buurt van hittebronnen, zoals radiatoren, verwarmingen, kachels, kaarsen en andere hittegenererende producten of open vuur.
8. Gebruik dit apparaat niet in de buurt van krachtige magnetische velden.
9. Elektrostatische ontlading kan normaal gebruik van dit apparaat verstoren. U hoeft het apparaat in dit geval slechts te resetten en opnieuw op te starten volgens de gebruikershandleiding. Wees voorzichtig tijdens bestandsoverdracht en gebruik het product in een omgeving zonder statische interferentie.
10. Waarschuwing! Steek nooit een voorwerp via de ventilatie- of andere openingen in het product. Er is hoogspanning in het product aanwezig en als u er een object insteekt, kan dat een elektrische schok veroorzaken en/of kortsluiting in de interne onderdelen. Mors om dezelfde reden geen water of vloeistof op het product.
11. Gebruik het toestel niet in vochtige ruimtes, zoals badkamers, stomende keukens of in de buurt van zwembaden.
12. Gebruik dit apparaat niet wanneer condensatie kan optreden.
13. Alhoewel dit apparaat met grote zorg gefabriceerd en verschillende keren geïnspecteerd is voordat het de fabriek verlaat, is het nog steeds mogelijk dat er problemen optreden, zoals met alle elektrische apparaten. Als u rook, een overmatige hitteontwikkeling of enig ander onverwacht verschijnsel opmerkt, moet u onmiddellijk de stekker van het netsnoer uit het stopcontact halen.
14. Dit apparaat moet werken op een voedingsbron, zoals aangegeven op het specificatieplaatje. Als u twijfelt over het type voeding dat gebruikt wordt in uw huis, raadpleeg dan uw dealer of plaatselijk energiebedrijf.
15. \*Het stopcontact moet in de buurt van de apparatuur zijn geïnstalleerd en eenvoudig te bereiken zijn.
16. \*Overbelast stopcontacten of verlengsnoeren niet. Overbelasting kan brand of een elektrische schok veroorzaken.
17. \*Apparaten met een Klasse 1 structuur dienen te worden aangesloten op een stopcontact met een beschermende aardverbinding.
18. \*Apparaten met een Klasse 2 structuur vereisen geen aardverbinding.
19. Houd het uit de buurt van knaagdieren. Knaagdieren knauwen graag aan voedingskabels.
20. \*Houd altijd de stekker vast wanneer u deze uit het stopcontact trekt. Trek nooit aan de voedingskabel. Dit kan tot een kortsluiting leiden.
21. Vermijd om het toestel te plaatsen op een ondergrond die blootgesteld kan worden aan trillingen of schokken.
22. Gebruik een zacht, droog doekje om het apparaat te reinigen. Gebruik geen oplosmiddelen of op benzine gebaseerde vloeistoffen. U kunt een vochtig doekje met verdund schoonmaakmiddel gebruiken om hardnekkige vlekken te verwijderen.
23. De leverancier is niet verantwoordelijk voor schade of verloren gegevens veroorzaakt door storing, misbruik, modificatie van het apparaat of batterijvervanging.
24. Onderbreek nooit de verbinding wanneer het apparaat formateert of bestanden overdraagt. De gegevens kunnen anders corrupt of verloren raken.
25. Indien het apparaat een USB-afspeelfunctie heeft, moet de USB-geheugenstick rechtstreeks op het apparaat worden aangesloten. Gebruik geen USB-verlengkabel, omdat die kan leiden tot storingen met foutieve gegevens als gevolg.
26. Het apparaat mag niet worden blootgesteld aan druppels of spatten en zorg ervoor dat er geen met vloeistof gevulde voorwerpen, zoals vazen, op of nabij het apparaat zijn geplaatst.
27. \*Om de verbinding met de stroomaansluiting volledig te verbreken, moet de stekker van het apparaat uit het stopcontact worden gehaald, omdat de stekker van het apparaat de hoofdschakelaar is.

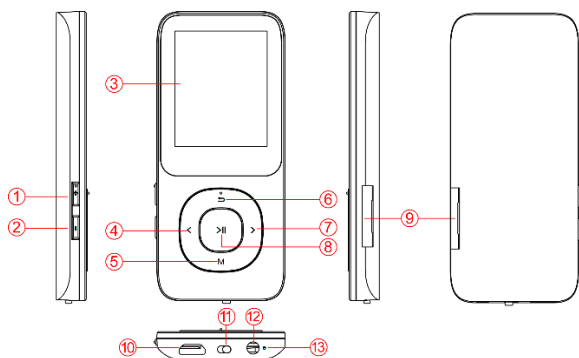
28. Indien het apparaat op batterijen kan werken, dan mogen de batterijen niet aan overmatige hitte, zoals zonlicht, open vuur e.d. worden blootgesteld.
29. Aandacht voor het milieu is nodig bij het verwijderen van de batterijen.
30. Het apparaat kan alleen worden gebruikt in gematigde klimaten. Extreem koude of warme omgevingen moeten worden vermeden.
31. Het nominale specificatielabel is te vinden op het paneel aan de onder- of achterkant van het apparaat.
32. Dit apparaat is niet bestemd voor gebruik door mensen (inclusief kinderen) met fysieke, zintuiglijke of geestelijke gebreken of gebrek aan kennis en ervaring, tenzij zij onder toezicht staan of instructies hebben over het juiste gebruik van het apparaat hebben gekregen van de persoon die verantwoordelijk is voor hun veiligheid.
33. Dit product is alleen voor niet-professioneel gebruik bedoeld en niet voor commercieel of industrieel gebruik.
34. Verzekeer u ervan dat het apparaat in een stabiele positie staat opgesteld. Schade, veroorzaakt door het gebruik van dit product in een onstabiele positie, of door het niet naleven van waarschuwingen of voorzorgsmaatregelen genoemd in deze handleiding, valt niet onder de garantie.
35. Verwijder nooit de behuizing van dit apparaat.
36. Plaats dit apparaat nooit op andere elektrische apparatuur.
37. Dit product niet gebruiken of opslaan op plaatsen waar het wordt blootgesteld aan direct zonlicht, hitte, buitensporig veel stof of trillingen.
38. Geef kinderen geen gelegenheid in aanraking met plastic zakken te komen.
39. Gebruik uitsluitend uitbreidingen/accessoires gespecificeerd door de fabrikant.
40. Laat alle reparaties over aan gekwalificeerd onderhoudspersoneel. Onderhoud is vereist als het toestel hoe dan ook is beschadigd, zoals bijvoorbeeld het netsnoer of de stekker, wanneer er vloeistof of een voorwerp in het apparaat is terechtgekomen, wanneer het apparaat is blootgesteld aan regen of vocht, als het niet normaal werkt of is gevallen.
41. \*Gebruik nooit een beschadigde voedingskabel of stekker of een los stopcontact. Dit vormt namelijk een risico op brand of elektrische schokken.
42. Langdurige blootstelling aan luid geluid van persoonlijke muzikspelers kan leiden tot tijdelijke of permanente gehoorbeschadiging.

#### **INSTALLATIE**

- Pak alle onderdelen uit en verwijder de beschermende materialen.
- \*Sluit het apparaat niet aan op het stopcontact, voordat u de netspanning hebt gecontroleerd en voordat alle andere aansluitingen zijn gemaakt.

**\*Deze instructies hebben alleen betrekking op producten met een netsnoer of AC-voedingsadapter.**

## • Overzicht van de knoppen:



- 1) **[VOL+]:** Verhoog het volume.
- 2) **[VOL-]:** Verlaag het volume.
- 3) **Scherf:** 1,8 inch TFT.
- 4) **[◀◀]:** Druk kort op de knop voor het vorige nummer/druk lang op de knop om terug te spoelen.
- 5) **[M]:** Druk in het scherm met het nummer op de M om naar de afspeelmodus te gaan.
- 6) **[↶]:** Terugkeren naar het vorige menu.
- 7) **[▶▶]:** Kort indrukken voor de volgende track/ ingedrukt houden om vooruit te spoelen.
- 8) **[▶II]:** Starttoets/afspelen en pauzeren/lang ingedrukt om in/uit te schakelen.
- 9) **[microSD]:** Sleuf microSD-kaart, ondersteunt tot 64GB.
- 10) **[Micro-USB]:** Micro-USB-poort, gegevensoverdracht en opladen
- 11) **[ON/OFF]:** AAN-/UIT-schakelaar.
- 12) **Aansluiting oortelefoon:**  $\phi 3,5\text{mm}$
- 13) **MIC:** Stemopname

## • Aansluiting op de pc & audiobestanden downloaden van de pc

Sluit de speler aan op een computer om bestanden te downloaden of de speler op te laden.

1. Zorg dat uw computer is ingeschakeld voordat u de XEMIO op uw computer aansluit.
2. Gebruik de meegeleverd micro-USB-kabel om de speler aan uw computer aan te sluiten en er wordt een scherm geopend met 'Charge & Transfer' (Opladen en overdragen) of 'Charge & Play' (Opladen en afspelen).
3. De speler heeft geen ingebouwd geheugen. Uw muziek-/videobestanden moeten worden opgeslagen op een microSD-kaart (meegeleverd).
  - 3.1 Als de speler is aangesloten en de microSD-kaart is geplaatst, toont de computer dit als een verwijderbare schijf.
  - 3.2 Als de speler is aangesloten en de microSD-kaart niet is geplaatst, zal de computer de speler herkennen, maar wordt het niet als verwijderbare schijf getoond.
4. Versleep de bestanden naar de speler (mits de speler een geheugenkaart heeft).

### Opmerking:

1. U ziet een afbeelding met een opladende batterij wanneer de speler is aangesloten op de computer.
2. Koppel de speler niet los van de computer tijdens de gegevensoverdracht, dit kan de speler/microSD-kaart beschadigen.
3. Wanneer de aan/uit-schakelaar (11) is uitgeschakeld, herkent de computer de speler, maar de batterij wordt niet opgeladen.

### Belangrijke opmerking:


- Als de speler niet opstart, controleer dan de aan/uit-schakelaar (11). Deze moet op 'Aan' staan.
- Controleer of de aan/uit-schakelaar (11) in de 'Aan'-positie staat voordat u de speler oplaadt, zo voorkomt u herinneringen op het LCD-scherf.
- De speler wordt geleverd zonder ingebouwd geheugen, plaats de microSD-kaart in de speler voor gebruik.
- De Bluetooth-modus van de speler is alleen bedoeld voor het koppelen van Bluetooth-apparaten, zoals koptelefoons en luidsprekers. Het kan niet worden verbonden met mobiele telefoons en computers.

## • Basisbediening


| Functie          | Instructie   |
|------------------|--|
| In-/uitschakelen | <ul style="list-style-type: none"> <li>• Schakel de aan/uit-schakelaar (11) aan om de speler in te schakelen.</li> <li>• Als de speler niet wordt opgestart, houdt dan de knop ▶II lang ingedrukt.</li> <li>• U enige tijd geen knoppen indrukt of muziek afspeelt, wordt de speler automatisch afgesloten om batterij te besparen.</li> </ul> |

|                                |  |
|--------------------------------|--|
| <b>Hoofdmenu</b>               | <ul style="list-style-type: none"> <li>Gebruik de pijl om door het hoofdmenu te bladeren en selecteer de gewenste functie met de knop afspelen/pauzeren (8) (Muziek , Bluetooth, Video, Afbeeldingen, Recorder , EBook, Mapweergave, Instellingen or Hulpmiddelen.)</li> </ul>   |
| <b>Muziek luisteren</b>        | <p>Selecteer het pictogram Music (Muziek) en druk op de knop Afspelen/Pauzeren (8), er wordt een nieuwe lijst weergegeven met het volgende: Alle nummers, laatst gespeeld, artiesten, albums, genres, afspeellijsten en afspeellijst bijwerken.</p> <ul style="list-style-type: none"> <li>Druk op de knop Afspelen/Pauzeren (8) bij 'All songs' (Alle nummers). Kies een nummer en druk op de knop Afspelen/Pauzeren (8) om alle nummers af te spelen, nadat u een nummer hebt geselecteerd begint de speler af te spelen.</li> </ul>   |
| <b>Bluetooth</b>               | <p>Selecteer het pictogram Bluetooth en druk op de knop Afspelen/Pauzeren (8).<br/>Er wordt een lijst weergegeven met het volgende: BT-bediening, Apparaat zoeken, apparaatlijst, alle nummers en nu afspelen.<br/>Druk op de knop Play/Pause (Afspelen/Pauzeren) (8) op 'BT Control' (BT-bediening) en selecteer 'Aan' om Bluetooth in te schakelen.</p> <ul style="list-style-type: none"> <li>Druk op de knop Afspelen/Pauzeren (8) om 'Search Device' (Apparaat zoeken) om naar beschikbare Bluetooth-apparaten te zoeken, selecteer het gewenste apparaat en druk op de knop Afspelen/Pauzeren (8) bij de optie 'pair' (koppelen) om dat Bluetooth-apparaat te verbinden. "BT connected" (BT Verbonden) wordt op het scherm weergegeven en het apparaat is verbonden.</li> <li>Gebruik nu de pijltoetsen Volgende (7) of Vorige (4) om naar "All Songs" (Alle nummers) te navigeren en druk op de knop Afspelen/Pauzeren (8) om het gewenste nummer af te laten spelen.</li> </ul>                                    |
| <b>Video</b>                   | <p>Selecteer het videopictogram op het hoofdmenu en druk op de knop Afspelen/Pauzeren (8). Als er videobestanden beschikbaar zijn op uw microSD-kaart, worden ze nu weergegeven.<br/>Indeling wordt niet ondersteund: AVI/AMV (de resolutie kan hoger zijn dan 120×160 pixels), lees de onderstaande instructies voor videoconversie</p> <ul style="list-style-type: none"> <li>Selecteer een video uit de lijst en druk op de knop Afspelen/Pauzeren (8) om af te spelen.</li> <li>Druk op de pijltoets Volgende (7) of Vorige (4) om naar de volgende/vorige video te gaan.</li> <li>Houd de pijltoets Volgende (7) of Vorige (4) ingedrukt om door/terug te spoelen.</li> <li>Druk op de knop Afspelen/Pauzeren (8) om de video af te spelen/te pauzeren.</li> <li>Druk op de knop [M] (5) om 'Repeat' (Herhalen), 'Delete video' (Video verwijderen), 'Update Playlist' (Afspeellijst bijwerken) te selecteren tijdens het afspelen van de video en druk op de knop Afspelen/Pauzeren (8) om te bevestigen.</li> </ul> |
| <b>Afbeelding</b>              | <p>Selecteer het pictogram <b>Picture</b> (afbeelding) op het hoofdmenu en druk op de knop Afspelen/Pauzeren (8), er wordt een lijst met beschikbare afbeeldingen weergegeven.</p> <ul style="list-style-type: none"> <li>Druk op de pijltoets volgende (7) om door de afbeeldingen te bladeren.</li> <li>Druk op de knop Afspelen/Pauzeren (8) om het afspelen van de afbeelding te bevestigen.</li> <li>Wanneer de speler in het afbeeldings scherm is, drukt u op de knop [M] (5) en 'Slideshow settings' (Dia-instellingen) en 'Delete picture' (Afbeeldingen verwijderen) worden weergegeven, druk op de knop Afspelen/Pauzeren (8) om de instelling te bevestigen.</li> <li>Druk op [↩] om terug te gaan naar het hoofdmenu.</li> </ul>  |
| <b>Opnemen</b>                 | <p>Selecteer het pictogram <b>Recorder</b> (Recorder) en druk op de knop Afspelen/Pauzeren (8), er wordt een nieuwe lijst weergegeven met het volgende: 'Record voice' (Spraakopname), 'Record lib.' (Opnamebibliotheek) en 'Set record' (Instellingen opname).</p> <ul style="list-style-type: none"> <li>Selecteer de optie 'Record voice' (Spraakopname) en druk op de middelste knop, er verschijnt 'Please wait' (Een moment geduld) en de opname begint.</li> <li>Druk op de knop Afspelen/Pauzeren (8) om de opname te pauzeren.</li> <li>Druk op [↩] en op de speler verschijnt 'Save recording?' (Opname opslaan?), selecteer ja en druk op knop Afspelen/Pauzeren (8) om de opname op te slaan.</li> <li>Selecteer de optie 'Set record' (Instellingen opname) en druk op de knop Afspelen/Pauzeren (8) om naar de instellingen te gaan voor 'Bitrate' (Bitsnelheid), druk op de rechterpijl om te kiezen tussen '512kbps/768kbps/1024kbps/1536kbps' voor opnames.</li> </ul>                                    |
| <b>Luister naar de opnames</b> | <p>Selecteer op het hoofdmenu het pictogram <b>Recorder</b>, druk op de linker pijltoets om naar de optie 'Record lib.' (Opnamebibliotheek) te gaan.</p>   |

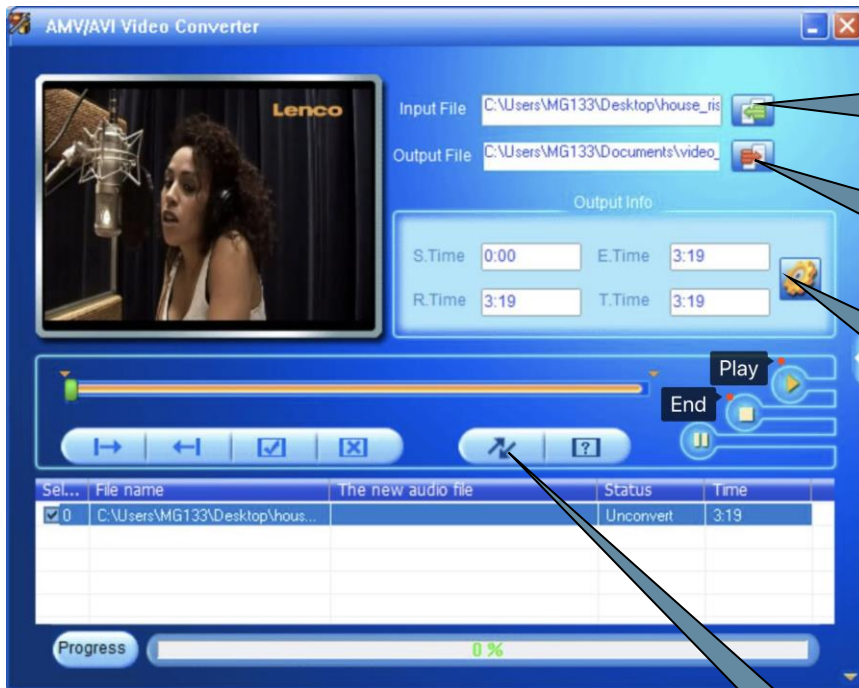
|                        |   |
|------------------------|---|
|                        | <ul style="list-style-type: none"> <li>• Druk op de middelste knop om de optie te openen, de speler toont 'Delete all' (Alles verwijderen) en een lijst met alle opgenomen bestanden.</li> <li>• Selecteer een opgenomen bestand en druk op de knop Afspelen/Pauzeren (8) om het bestand te beluisteren.</li> </ul>   |
| <b>EBook</b>           | <p>Selecteer het pictogram <b>Ebook</b> op het hoofdmenu en druk op de knop Afspelen/Pauzeren (8), er wordt een lijst weergegeven met alle beschikbare EBook-bestanden.</p> <p>Door EBook ondersteunde indelingen zijn: TXT-bestanden</p> <ul style="list-style-type: none"> <li>• Druk op de pijltoets Volgende (7) of Vorige (4) om naar het bestand te gaan dat u wilt bekijken en druk op de knop Afspelen/Pauzeren (8) om het bestand te bekijken.</li> <li>• Wanneer u in het Ebook-venster bent, kunt u een nieuwe optielijst openen door op de knop <b>[M]</b> (5) te drukken: 'Play setting' (Afspeelinstellingen), 'Delete eBook' (eBook verwijderen), 'Delete bookmark' (bladwijzer verwijderen), 'Add bookmark' (Bladwijzer toevoegen) en 'Page select' (Pagina selecteren).</li> </ul> <p>Selecteer '<b>Play setting</b>' (Afspeelinstellingen) om de automatische afspeeltijd per pagina in te stellen: U kunt kiezen van 2 tot 30 seconden, druk vervolgens op de knop Afspelen/Pauzeren (8) om te bevestigen.</p> <ul style="list-style-type: none"> <li>• Wanneer u in het eBook-venster bent, drukt u op de knop Afspelen/Pauzeren (8) om het automatisch afspelen te starten (er wordt een pictogram weergegeven bovenaan het scherm).</li> <li>• Druk op <b>[↶]</b> (6) om terug te gaan naar het hoofdmenu.</li> </ul>   |
| <b>Folderoverzicht</b> | <p>Selecteer het pictogram <b>Folder</b> (Map) op het hoofdmenu en druk op de knop Afspelen/Pauzeren, de speler toont alle bestanden in de map, inclusief muziekbestanden, videobestanden, afbeeldingen en eBook-bestanden.</p> <ul style="list-style-type: none"> <li>• Druk op de pijltoets Volgende (7) of Vorige (4) om naar het bestand te gaan dat u wilt bekijken en druk op de knop Afspelen/Pauzeren (8) om af te spelen, de basishandelingen zijn vergelijkbaar met de hierboven genoemde inhoud.</li> <li>• Druk op <b>[↶]</b> (6) om terug te gaan naar het hoofdmenu.</li> </ul>   |
| <b>Instellingen</b>    | <ul style="list-style-type: none"> <li>• Selecteer het pictogram <b>Setting</b> (Instellingen) op het hoofdmenu en druk op de knop Afspelen/Pauzeren (8), een lijst met het volgende wordt weergegeven:</li> <li>• <b>Restore device (Apparaat herstellen):</b> Fabrieksinstellingen herstellen, selecteer 'Yes' (Ja) en druk op de knop Afspelen/Pauzeren (8) om het herstellen te bevestigen, de speler wordt opnieuw opgestart.</li> <li>• <b>Ear protect (Gehoorbescherming):</b> Hiermee wordt een bericht ingeschakeld/uitgeschakeld wanneer het volumeniveau hoger is dan 20.</li> <li>• <b>Sleep timer (Slaaptimer):</b> Wanneer de timer is geactiveerd wordt de speler na een gekozen tijd afgesloten, ongeacht of er muziek wordt afgespeeld of niet. U kunt kiezen tussen 15 min, 30 min, 60 min, 100 min, of kies 'uitschakelen' om deze functie uit te schakelen.<br/><i><u>Opmerking: De slaaptimer is standaard uitgeschakeld wanneer de Xenio uit wordt geschakeld en daarna weer in wordt geschakeld.</u></i></li> <li>• <b>Power saving (Energiebesparing):</b> Wanneer de speler inactief is, wordt de speler automatisch afgesloten na de geconfigureerde tijd. U kunt kiezen uit uitschakelen na 30 sec, 1 minuut, 2 minuut.</li> <li>• <b>Backlight timer (Timer achtergrondverlichting):</b> Het scherm wordt donker na de geconfigureerde tijd. De Xenio is nog steeds actief. Druk op een willekeurige toets om het scherm weer te activeren. U kunt kiezen uit 10 sec, 20 sec, 30 sec of altijd aan.</li> <li>• <b>Language (Taal):</b> Druk op de pijltoets Volgende (7) of Vorige (4) om de gewenste taal te selecteren en druk op de knop Afspelen/Pauzeren (8) om te bevestigen.</li> <li>• <b>Informatie:</b> 'Player info' (Informatie speler) en 'Disk Space' (Schijfruimte) wordt weergegeven op de speler.</li> <li>• <b>Format Device (Apparaat formatteren):</b> Verwijdert alle gegevens op de geheugenkaart. Als u op de knop Afspelen/Pauzeren (8) drukt, wordt het waarschuwingsbericht 'All data will be erased. Continue?' (Alle gegevens worden gewist. Wilt u doorgaan?). Selecteer 'yes' (ja) om het wissen te starten.</li> </ul> |

|                     |   |
|---------------------|---|
|                     | <ul style="list-style-type: none"> <li>• <b>Auto upgrade (Automatische upgrade):</b> Als er een nieuwe firmware wordt uitgegeven, kunt u de FW op de MicroSD installeren. Druk op de knop Afspelen/Pauzeren (8), met het firmwarebestand geselecteerd, om de upgrade te starten.<br/><b><u>Opmerking:</u></b> <i>Het wordt aangeraden met onze technische ondersteuning voordat u de speler upgrade, want een onjuiste upgrade kan de speler beschadigen.</i></li> </ul>  |
| <b>Hulpmiddelen</b> | <p>In de sectie Hulpmiddelen vindt u de stopwatch. Druk op de knop Afspelen/Pauzeren (8) om de stopwatch te starten. Er worden 5 (rondes) tijden weergegeven, deze kunt u selecteren met de pijltoetsen Volgende (7) of Vorige (4).</p> <p>Druk op de knop Afspelen/Pauzeren (8) om de actieve (ronde) timer te starten/stoppen. Druk op [M] (5) om alle (rondes) timers opnieuw in te stellen</p> <ul style="list-style-type: none"> <li>• Druk op [] (6) om terug te gaan naar het hoofdmenu.</li> </ul> |

## De videoconverter installeren

1. Dubbelklik op  amvtransform.exe om de videoconverter uit te voeren.
2. Converteer de videobestanden.

Volg de onderstaande stappen om het converteren van de familie te voltooien:



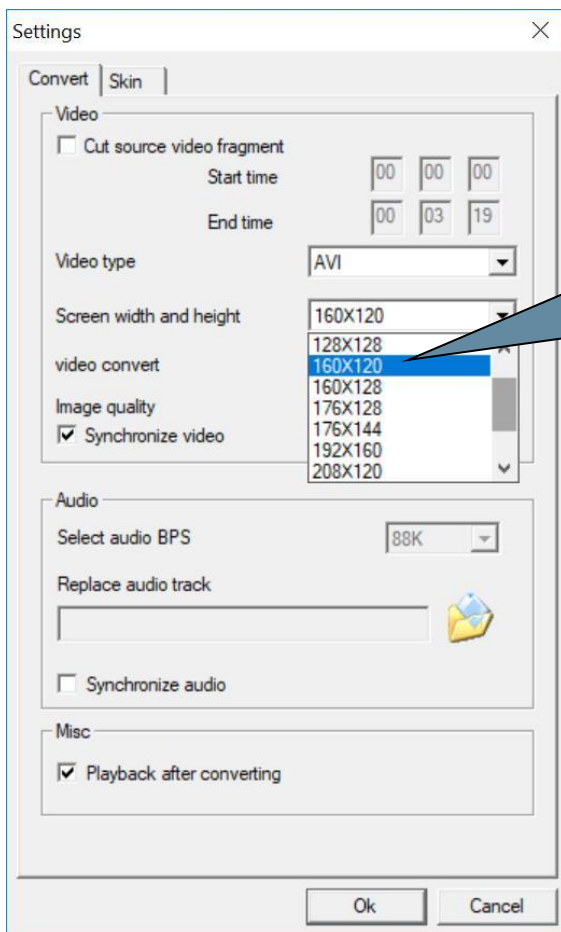
1: Klik hierop om de oorspronkelijke videobestanden in te voeren.

2: Klik hierop voor een pad om de geconverteerde bestanden op te slaan.

3: Klik hierop om de configuratie in te stellen: (Raadpleeg onderstaande stap 4)  
Opmerking: Als dit deel grijs is, klikt u op 'Play' (Afspelen) en vervolgens op 'End' (Beëindigen) om het te activeren

4: Selecteer '160X120' en klik op OK om terug te keren naar het convertermenu.

5: Klik hier om de video te converteren.





## Garantie

Lenco biedt service en garantie aan overeenkomstig met de Europese wetgeving. Dit houdt in dat u, in het geval van reparaties (zowel tijdens als na de garantieperiode), uw lokale handelaar moet contacteren.

Belangrijke opmerking: Het is niet mogelijk om producten die moeten worden gerepareerd rechtstreeks naar Lenco te sturen.

Belangrijke opmerking: De garantie verloopt als een onofficieel servicecenter het apparaat op wat voor manier dan ook heeft geopend, of er toegang toe heeft gekregen.

Het apparaat is niet geschikt voor professioneel gebruik. In het geval van professioneel gebruik worden alle garantieverplichtingen van de fabrikant nietig verklaard.

## Disclaimer

Er worden regelmatig updates in de firmware en/of hardwarecomponenten gemaakt. Daardoor kunnen gedeelten van de instructie, de specificaties en afbeeldingen in deze documentatie enigszins verschillen van uw eigen situatie. Alle onderwerpen die staan beschreven in deze handleiding zijn bedoeld als illustratie en zijn niet van toepassing op specifieke situaties. Aan de beschrijving in dit document kunnen geen rechten worden ontleend.

## Afvoer van het oude apparaat



Dit symbool geeft aan dat het betreffende elektrische product of de accu/batterij niet mag worden verwijderd als algemeen huishoudelijk afval in Europa. Zorg voor een juiste afvalverwerking door het product en de accu/batterij in overeenstemming met alle van toepassing zijnde lokale wetten voor het verwijderen van elektrische apparatuur of accu's/batterijen te verwijderen. Als u dit doet, helpt u de natuurlijke hulpbronnen te behouden en de standaard van milieubescherming te verbeteren bij de behandeling en verwijdering van elektrisch afval (Afgedankte Elektrische en Elektronische Apparatuur).

## Service

Bezoek voor meer informatie en helpdeskondersteuning [www.lenco.com](http://www.lenco.com)

Lenco Benelux BV, Thermiekstraat 1a, 6361 HB, Nederland.

**ACHTUNG:**

Die zweckentfremdete Bedienung, Benutzung oder Einstellung der Prozeduren kann zu gefährlichen Unfällen durch Strahlen führen. Dieses Gerät darf außer von qualifizierten Fachleuten von niemand anderem repariert oder eingestellt werden.

**VORSICHTSMASSNAHMEN VOR DER BENUTZUNG****BEFOLGEN SIE IMMER FOLGENDE ANWEISUNGEN:**

1. Benutzen Sie das Gerät nicht in der Nähe von Wasser.
2. Benutzen Sie zur Reinigung ein nur leicht befeuchtetes Tuch.
3. Blockieren Sie keine Lüftungsöffnungen. Wenn Sie das Gerät auf ein Regal stellen, lassen Sie um das gesamte Gerät 5 cm (2") freien Platz.
4. Stellen Sie das Gerät entsprechend den Anweisungen der mitgelieferten Bedienungsanleitung auf.
5. \*Treten Sie nicht auf das Netzteil und klemmen Sie es auch nicht ein. Seien Sie im näheren Bereich des Steckers und der Herausführungen des Kabels besonders vorsichtig. Stellen Sie keine schweren Gegenstände auf das Netzteil, weil es dadurch beschädigt werden könnte. Halten Sie das gesamte Gerät außerhalb der Reichweite von Kindern! Durch Spielen mit dem Netzkabel können sie sich ernsthafte Verletzungen zuziehen.
6. \*Trennen Sie das Gerät während eines Gewitters oder bei längerer Nichtbenutzung vom Netz.
7. Halten Sie das Gerät von Hitzequellen wie Radiatoren, Heizern, Öfen, Kerzen oder anderen hitzeerzeugenden Produkten oder offenen Flammen fern.
8. Meiden Sie bei der Nutzung des Produkts die Nähe starker Magnetfelder.
9. Elektrostatische Entladungen können die normale Verwendung von diesem Gerät stören. Sollte dies geschehen, führen Sie einfach einen Reset aus und starten Sie dann das Gerät entsprechend den Anweisungen dieser Bedienungsanleitung neu. Gehen Sie besonders bei Datenübertragungen mit dem Gerät vorsichtig um und führen Sie diese nur in einer antielektrostatischen Umgebung aus.
10. Warnung! Niemals Gegenstände durch die Lüftungsschlitze oder Öffnungen in das Gerät stecken. Im Gerät sind hohe Spannungen vorhanden und das Einführen von Gegenständen kann zu Stromschlag bzw. zu Kurzschlüssen der internen Teile führen. Aus dem gleichen Grund kein Wasser oder Flüssigkeiten in das Gerät geben.
11. Benutzen Sie das Gerät nicht in nasser oder feuchter Umgebung wie Bad, Dampfküche oder in der Nähe von Schwimmbecken.
12. Benutzen Sie das Gerät nicht bei Kondensationsgefahr.
13. Obwohl dieses Gerät unter größter Sorgfalt und vor Auslieferung mehrmals überprüft wurde, können trotzdem wie bei jedem anderen elektrischen Gerät auch Probleme auftauchen. Trennen Sie das Gerät im Falle einer Rauchentwicklung, starker Hitzeentwicklung oder jeden anderen unnatürlichen Erscheinung sofort vom Netz.
14. Dieses Gerät ist durch eine Stromquelle wie auf dem Typenschild angegeben zu betreiben. Halten Sie bei Unsicherheiten über die Art Ihrer Stromversorgung in Ihrer Wohnung Rücksprache mit Ihrem Händler oder Ihrer Stromzuliefererfirma.
15. \*Die Wandsteckdose muss sich in der Nähe des Geräts befinden und einfach zu erreichen sein.
16. \*Steckdosen und Verlängerungsleitungen nicht überlasten. Eine Überlastung kann zu Brandgefahr bzw. Stromschlägen führen.
17. \*Geräte der Schutzklasse 1 sind an eine Netzsteckdose mit Schutzleiter anzuschließen.
18. \*Geräte der Schutzklasse 2 benötigen keinen Schutzleiteranschluss.
19. Halten Sie Nagetiere vom Gerät fern. Nagetiere lieben es, am Netzkabel zu nagen.
20. \*Halten Sie den Netzstecker in der Hand, wenn Sie ihn aus der Netzsteckdose ziehen. Ziehen Sie ihn nicht durch Zerren am Kabel heraus. Das kann zu einem Kurzschluss führen.
21. Vermeiden Sie es, das Gerät auf Oberflächen aufzustellen, die zu Schwingungen oder Stoß neigen.
22. Verwenden Sie einen trockenen, sauberen Lappen für die Reinigung. Benutzen Sie niemals Lösungsmittel oder Flüssigkeiten auf Ölbasis. Benutzen Sie zum Entfernen hartnäckiger Flecken ein feuchtes Tuch mit mildem Reinigungsmittel.
23. Der Hersteller haftet nicht für Schäden oder Verluste durch Fehlfunktion, Zweckentfremdung oder Modifikation des Geräts oder durch Wechseln der Batterien.
24. Unterbrechen Sie die Verbindung nicht während einer Formatierung oder einer Datenübertragung. Bei Unterbrechung drohen Datenverlust und Datenbeschädigung.
25. Wenn das Gerät eine USB-Wiedergabefunktion besitzt, dann stecken Sie den USB-Stick direkt in das Gerät. Verwenden Sie kein USB-Verlängerungskabel, weil die erhöhte Störanfälligkeit zu Datenverlust führen könnte.
26. Das Gerät darf weder Tropf- noch Spritzwasser ausgesetzt werden und es dürfen keine mit Flüssigkeit gefüllten Behälter wie z.B. Vasen auf das Gerät oder in der Nähe des Gerätes gestellt werden.
27. \*Um das Gerät vollständig vom Netz zu trennen, muss der Netzstecker des Gerätes vom Stromnetz getrennt werden, wobei die zu trennende Einheit den Netzstecker des Gerätes bezeichnet.

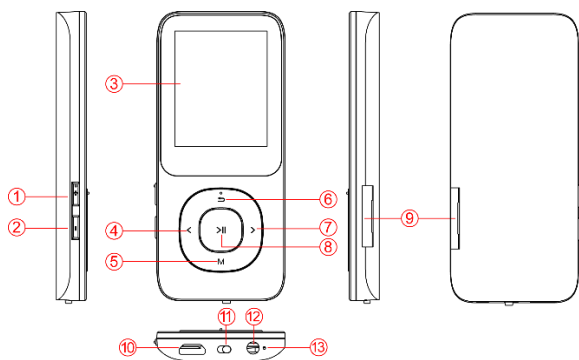
28. Wenn das Gerät über Batterien betrieben wird, dann sind diese vor übermäßiger Wärme wie Sonneneinstrahlung, Feuer oder ähnlichem zu schützen.
29. Bei der Batterieentsorgung sind die Entsorgungsvorschriften einzuhalten.
30. Das Gerät kann nur bei moderaten Temperaturen verwendet werden. Eine Nutzung in extrem kalten oder heißen Umgebungen sollte vermieden werden.
31. Das Typenschild befindet sich an der Unter- oder Rückseite des Gerätes.
32. Dieses Gerät ist nicht zur Benutzung durch Personen (auch Kinder) mit physischen, sensorischen oder mentalen Beeinträchtigungen oder ohne ausreichender Erfahrung vorgesehen, es sei denn, sie werden durch eine verantwortliche Person beaufsichtigt oder wurden in die ordnungsgemäße Bedienung des Gerätes durch eine für ihre Sicherheit verantwortlichen Person eingewiesen.
33. Dieses Produkt ist nur für den nicht-professionellen Gebrauch und nicht für gewerbliche oder industrielle Zwecke bestimmt.
34. Stellen Sie sicher, dass das Gerät in einer stabilen Position aufgestellt ist. Schäden, die durch Verwendung dieses Produkts in einer instabilen Position oder durch Nichtbeachtung der anderen in diesem Handbuch enthaltener Warnungen und Vorwarnung entstehen, werden nicht durch die Garantie abgedeckt.
35. Entfernen Sie niemals das Gehäuse dieses Geräts.
36. Stellen Sie dieses Gerät niemals auf andere elektrische Geräte.
37. Verwenden oder bewahren Sie dieses Produkt nicht an Orten auf, in denen es direkter Sonneneinstrahlung, Hitze, übermäßigem Staub oder Vibration ausgesetzt ist.
38. Ermöglichen Sie Kindern nicht den Zugriff auf Plastiktüten.
39. Benutzen Sie nur vom Hersteller empfohlene Erweiterungen/Zubehörteile.
40. Sprechen Sie alle Eingriffe mit qualifiziertem Fachpersonal ab. Eingriffe werden notwendig, wenn das Gerät in irgendeiner Weise beschädigt wurde, beispielsweise am Netzkabel oder am Netzstecker oder wenn Flüssigkeit in das Gerät gelangt ist bzw. Gegenstände in das Gerät gefallen sind, das Gerät Regen oder Feuchtigkeit ausgesetzt war, es heruntergefallen ist oder nicht ordnungsgemäß funktioniert.
41. \*Verwenden Sie weder ein beschädigtes Netzkabel noch einen beschädigten Stecker oder eine lockere Steckdose. Es besteht Brand- und Stromschlaggefahr.
42. Längeres Hören lauter Töne aus einem Musikgerät kann zum zeitweiligen oder permanenten Hörverlust führen.

#### **AUFBAU**

- Packen Sie alle Teile aus und entfernen Sie danach die Schutzmaterialien.
- \*Schließen Sie das Gerät nicht eher an das Netz an, bevor Sie die Netzspannung überprüft haben und alle anderen notwendigen Verbindungen hergestellt sind.

**\*Diese Anleitung gilt nur für Produkte, die über ein Netzkabel oder einen Netzadapter verfügen.**

## • Überblick Bedienung:



- 1) **[VOL+]:** Erhöht die Lautstärke.
- 2) **[VOL-]:** Verringert die Lautstärke.
- 3) **Bildschirm:** 1,8"-TFT.
- 4) **[◀◀]:** Für den vorherigen Titel kurz drücken/Zum Rückspulen lang drücken.
- 5) **[M]:** In der Lied-Benutzeroberfläche M für die Änderung des Wiedergabemodus drücken.
- 6) **[↶]:** Rückkehr zum vorherigen Menü.
- 7) **[▶▶]:** Für den nächsten Titel kurz drücken/Zum schnellen Vorspulen lang drücken.
- 8) **[▶||]:** Enter-Taste/Wiedergabe und Pause/Zum Ein-/Ausmachen lang drücken.
- 9) **[SD]:** Bis zu 64 GB unterstützender microSD-Kartenschacht.
- 10) **[USB]:** Micro-USB-Port für die Datenübertragung und zum Aufladen
- 11) **[ON/OFF]:** EIN/AUS-Schalter.
- 12) **Kopfhörerbuchse:**  $\phi$  3,5 mm
- 13) **MIC-Anschluss:** Sprachaufzeichnung

## • Verbindung mit dem PC und Herunterladen von Audiodateien vom PC

Verbinden Sie den Player für das Herunterladen von Dateien oder zum Laden des Players mit dem Computer.

1. Stellen Sie sicher, dass Ihr Computer eingeschaltet ist, bevor Sie Ihren Xemio mit Ihrem Computer verbinden.
2. Verwenden Sie für den Anschluss an Ihren Computer das mitgelieferte Micro-USB-Kabel. Daraufhin erscheint auf dem Bildschirm „Charge & transfer“ (Laden & Übertragen) oder „Charge & play“ (Laden & Wiedergeben).
3. Der Player besitzt keinen internen Speicher. Ihre Musik-/Videodateien müssen deshalb auf einer microSD-Karte (im Lieferumfang enthalten) gespeichert werden.
  - 3.1 Wenn der Player mit eingelegter microSD-Karte mit dem Computer verbunden wird, zeigt der Computer den Player als Wechseldatenträger an.
  - 3.2 Wenn der Player ohne eingelegte MicroSD-Karte mit dem Computer verbunden wird, erkennt der Computer den Player, zeigt ihn jedoch nicht als Wechseldatenträger an.
4. Ziehen Sie dann die Dateien zum Player (nur bei eingelegter Speicherkarte verfügbar).

### Hinweis:

1. Die Batterie-Ladeanimation wird angezeigt, wenn der Player mit dem Computer verbunden wird.
2. Trennen Sie den Player nicht vom Computer, solange Daten übertragen werden. Dies könnte den Player/die microSD-Karte beschädigen.
3. Wenn der EIN/AUS-Schalter (11) auf „aus“ steht, dann erkennt der Computer den Player, aber die Batterie wird nicht geladen.

### Wichtiger Hinweis:

- Wenn sich der Player nicht einschaltet, dann überprüfen Sie bitte den EIN/AUS-Schalter (11). Er muss auf „ein“ stehen.
- Vergewissern Sie sich, dass der EIN/AUS-Schalter (11) auf der Position „ein“ steht, bevor Sie den Player laden, um Erinnerungsmeldungen auf dem LCD-Display vorzubeugen.
- Der Player wird ohne internen Speicher ausgeliefert. Bitte setzen Sie vor der Verwendung des Players eine microSD-Karte in den Player ein.
- Der Bluetooth-Modus des Players dient nur der Übertragung zu Bluetooth-Geräten wie Headsets oder Lautsprecher. Er kann nicht für die Verbindung mit dem Mobiltelefon oder dem Computer verwendet werden.

## • Grundlegende Bedienung

Funktion

Anleitung

|                         |   |
|-------------------------|---|
| <b>Ein-/Ausschalten</b> | <ul style="list-style-type: none"> <li>• Schieben Sie den Ein/AUS-Schalter (11) auf „ein“, um den Player einzuschalten.</li> <li>• Wenn sich der Player nicht einschalten sollte, dann halten Sie die Taste ►II gedrückt, um ihn einzuschalten.</li> <li>• Wenn eine Zeitlang weder eine Taste gedrückt oder Musik wiedergegeben wird, dann schaltet sich der Player automatisch aus, um die Batterie zu schonen.</li> </ul>  |
| <b>Hauptmenü</b>        | <ul style="list-style-type: none"> <li>• Bewegen Sie sich mit der Pfeiltaste durch das Hauptmenü und wählen Sie die gewünschte Funktion (Musik), Bluetooth, Video, Bilder), Rekorder, eBook, Ordneransicht, Einstellungen oder Werkzeuge) mit der Taste Wiedergabe/Pause (8) aus.</li> </ul>  |
| <b>Musik hören</b>      | <p>Wenn Sie das Musiksymbol auswählen und die Taste Wiedergabe/Pause (8) drücken, dann erscheint eine neue Liste mit nachstehendem Inhalt: All songs (Alle Lieder), Last played (Zuletzt gespielt), Artists (Künstler), Albums (Alben), Genres (Genre), Playlists (Wiedergabelisten) und Update Playlist (Wiedergabeliste aktualisieren).</p> <ul style="list-style-type: none"> <li>• Gehen Sie zu „all songs“ (Alle Lieder) und drücken Sie dann die Taste Wiedergabe/Pause (8). Wählen Sie ein Lied aus und drücken Sie dann die Taste Wiedergabe/Pause (8), um die Wiedergabe von „All songs“ (Alle Lieder) zu starten.</li> </ul>  |
| <b>Bluetooth</b>        | <p>Wählen Sie das Bluetooth-Symbol aus und drücken Sie dann die Taste Wiedergabe/Pause (8). Eine Liste mit nachstehendem Inhalt erscheint: BT Control (Bluetooth-Steuerung), Search Device (Gerät suchen), Device List (Geräteliste), All Songs (Alle Lieder) und Now Playing (Jetzt wiedergeben). Wählen Sie „BT Control“ (Bluetooth-Steuerung) aus und drücken Sie dann die Taste Wiedergabe/Pause (8). Wählen Sie anschließend „On“ (Ein) aus, um Bluetooth zu aktivieren.</p> <ul style="list-style-type: none"> <li>• Wählen Sie „Search Device“ (Gerät suchen) aus und drücken Sie dann die Taste Wiedergabe/Pause (8), um die Suche nach verfügbaren Bluetooth-Geräten zu starten. Wählen Sie anschließend Ihr gewünschtes Gerät aus und drücken Sie die Taste Wiedergabe/Pause (8). Wählen Sie nun die Option „Pair“ (Koppeln) aus, um die Verbindung mit dem Bluetooth-Gerät herzustellen. Wenn das Gerät erfolgreich verbunden wurde, dann wird auf dem Display „BT connected“ (Bluetooth verbunden) angezeigt.</li> <li>• Navigieren Sie nun mit der Taste Weiter (7) oder Zurück (4) zu „All Songs“ (Alle Lieder) und drücken Sie dann die Taste Wiedergabe/Pause (8), um mit der Wiedergabe der gewünschten Lieder zu beginnen.</li> </ul> |
| <b>Video</b>            | <p>Wählen Sie im Hauptmenü das Videosymbol aus und drücken Sie dann die Taste Wiedergabe/Pause (8). Wenn sich auf Ihrer microSD-Karte Videodateien befinden, werden diese jetzt angezeigt. Unterstützte Videoformate: AVI/AMV (die Auflösung darf nicht höher als 120 × 160 Pixel sein); bitte lesen Sie auch die nachstehenden Anweisungen für die Videoumwandlung:</p> <ul style="list-style-type: none"> <li>• Wählen Sie aus der Liste ein Video aus und drücken Sie dann die Taste Wiedergabe/Pause (8), um die Wiedergabe zu starten.</li> <li>• Drücken Sie die Taste Weiter (7) oder Zurück (4), um zum nächsten/vorherigen Video zu springen.</li> <li>• Halten Sie die Pfeiltaste Weiter (7) oder Zurück (4) gedrückt, um schnell vorwärts/rückwärts zu spulen.</li> <li>• Drücken Sie die Taste Wiedergabe/Pause (8), um die Wiedergabe des Videos zu beginnen/zu pausieren.</li> <li>• Drücken Sie die Taste [M] (5), um während der Videowiedergabe „Repeat“ (Wiederholung), „Delete video“ (Video löschen) oder „Update Playlist“ (Wiedergabeliste aktualisieren) auszuwählen. Drücken Sie zur Bestätigung die Taste Wiedergabe/Pause (8).</li> </ul>   |
| <b>Bild</b>             | <p>Wählen Sie im Hauptmenü das Symbol <b>Picture</b> (Bild) aus und drücken Sie dann die Wiedergabe/Pause (8) Taste. Es wird nun eine Liste der verfügbaren Bilder angezeigt.</p> <ul style="list-style-type: none"> <li>• Drücken Sie die Weiter Taste (7), um das Bild auszuwählen, das Sie angezeigt haben möchten.</li> <li>• Drücken Sie die Wiedergabe/Pause (8) Taste, um die Anzeige des Bildes zu bestätigen.</li> <li>• Wenn Sie in der Bild-Benutzeroberfläche die Taste [M] (5) drücken, dann erscheint „Slideshow settings“ (Diashow-Einstellung) und „Delete picture“ (Bild löschen). Drücken Sie die Taste Wiedergabe/Pause (8), um die Einstellungen zu bestätigen.</li> </ul>  |

|                               |   |
|-------------------------------|---|
|                               | <ul style="list-style-type: none"> <li>• Drücken Sie [<b>↩</b>], um zum Hauptmenü zurückzukehren.</li> </ul>  |
| <b>Rekorder</b>               | <p>Wenn Sie das Symbol <b>Recorder</b> (Rekorder) auswählen und die Taste Wiedergabe/Pause (8) drücken, dann erscheint eine neue Liste mit nachstehendem Inhalt: „Record voice“ (Sprachaufzeichnung), „Record lib.“ (Aufzeichnungsbibliothek) und „Set record“ (Aufzeichnung einstellen).</p> <ul style="list-style-type: none"> <li>• Wenn Sie die Option „Record voice“ (Sprachaufzeichnung) auswählen und die mittlere Taste drücken, dann zeigt der Player zuerst „Please wait“ (Bitte warten) an. Anschließend startet die Aufzeichnung.</li> <li>• Drücken Sie die mittlere Taste, um die Aufzeichnung zu pausieren.</li> <li>• Wenn Sie [<b>↩</b>] drücken, dann zeigt der Player „Save recording?“ (Aufzeichnung speichern?) an. Wählen Sie „yes“ (Ja) aus und drücken Sie die mittlere Taste, um die Aufzeichnung zu speichern.</li> <li>• Wenn Sie die Option „Set record“ (Aufzeichnung einstellen) auswählen und die mittlere Taste drücken, dann wechseln Sie zur Eingabe der „Bitrate“. Mit der rechten Pfeiltaste können Sie zwischen den Bitraten „512 kbps, 768 kbps, 1024 kbps, 1536 kbps“ für die Aufzeichnungen auswählen.</li> </ul>   |
| <b>Aufzeichnungen anhören</b> | <p>Wählen Sie im Hauptmenü das Symbol <b>Recorder</b> (Rekorder) aus und drücken Sie dann die Weiter Taste (7) , um die Option „Record lib.“ (Aufzeichnungsbibliothek) auszuwählen.</p> <ul style="list-style-type: none"> <li>• Wenn Sie nun durch Drücken der Wiedergabe/Pause (8) Taste zur Option wechseln, dann erscheint „Delete All“ (Alles löschen) sowie die Liste mit den Aufzeichnungsdateien.</li> <li>• Wählen Sie eine Aufzeichnungsdatei aus und drücken Sie dann die Wiedergabe/Pause (8) Taste, um mit der Wiedergabe der gewünschten Datei zu beginnen.</li> </ul>  |
| <b>eBooks</b>                 | <p>Wählen Sie im Hauptmenü das Symbol <b>Ebook</b> (eBook) aus und drücken Sie dann die Wiedergabe/Pause (8) Taste. Es wird nun eine Liste der verfügbaren eBook-Dateien angezeigt.</p> <p>Die unterstützten eBook-Formate sind: TXT-Dateien.</p> <ul style="list-style-type: none"> <li>• Drücken Sie die Taste Weiter (7) oder Zurück (4), um zu der Datei zu navigieren, die Sie anzeigen lassen möchten. Drücken Sie nun für die Anzeige der Datei die Taste Wiedergabe/Pause (8).</li> <li>• Wenn Sie in der eBook-Benutzeroberfläche die Taste [<b>M</b>] (5) drücken, dann erscheinen nachstehende Optionen: „Play setting“ (Anzeigeeinstellung), „Delete eBook (eBook löschen)“, „Delete bookmark“ (Lesezeichen löschen), „Add bookmark“ (Lesezeichen hinzufügen) und „Page select“ (Seite wählen).</li> </ul> <p>Wählen Sie „<b>Play setting</b>“ (Anzeigeeinstellung) aus, um die Zeit für das automatische Umblättern pro Seite einzustellen: Mögliche Auswahl 2 bis 30 Sekunden. Drücken Sie anschließend zur Bestätigung die Taste Wiedergabe/Pause (8).</p> <ul style="list-style-type: none"> <li>• Drücken Sie in der eBook-Benutzeroberfläche die mittlere Taste, um die automatische Anzeige zu starten (auf dem Display oben erscheint ein Wiedergabesymbol).</li> <li>• Drücken Sie [<b>↩</b>] (6), um zum Hauptmenü zurückzukehren.</li> </ul> |
| <b>Ordneransicht</b>          | <p>Wenn Sie im Hauptmenü das Symbol <b>Folder</b> (Ordner) auswählen und danach die Taste Wiedergabe/Pause drücken, dann zeigt der Player alle Dateien des Ordners einschließlich der Musik-, Video-, Bild- und eBook-Dateien an.</p> <ul style="list-style-type: none"> <li>• Drücken Sie die Taste Weiter (7) oder Zurück (4), um zu der Datei zu navigieren, die Sie anzeigen lassen möchten. Drücken Sie nun für die Anzeige der Datei die Taste Wiedergabe/Pause (8). Die Grundsteuerung entspricht dabei weitestgehend der vorstehenden Erläuterung.</li> <li>• Drücken Sie [<b>↩</b>] (6), um zum Hauptmenü zurückzukehren.</li> </ul>   |
| <b>Einstellungen</b>          | <ul style="list-style-type: none"> <li>• Wählen Sie im Hauptmenü das Symbol <b>Setting</b> (Einstellung) aus und drücken Sie dann die Taste Wiedergabe/Pause (8). Es wird nun die nachstehende Liste angezeigt:</li> <li>• <b>Restore device (Gerät wiederherstellen):</b> Stellt die Werkseinstellung wieder her. Wählen Sie „Yes“ (Ja) aus und drücken Sie dann die Taste Wiedergabe/Pause (8), um die Wiederherstellung zu bestätigen. Daraufhin wird der Player neu gestartet.</li> <li>• <b>Ear protect (Gehörschutz):</b> Aktiviert/Deaktiviert die Hoher-Lautstärkepegel-Mitteilung, wenn die Stufe der Lautstärke größer als 20 ist.</li> <li>• <b>Sleep timer (Einschlafautomatik):</b> Bei aktivierter Einschlafautomatik schaltet sich der Player nach der</li> </ul>  |

gewählten Zeit aus, egal ob der Player etwas wiedergibt oder nicht. Sie können für diese Funktion zwischen 15 min, 30 min, 60 min, 100 min oder „turn off“ (Ausschalten) auswählen.

**Hinweis:** Wenn der Xemio ausgeschaltet und dann erneut eingeschaltet wird, dann wird die Einschlafautomatik auf Ihren Standardwert „Turn off“ (Ausschalten) gesetzt.

- **Power saving (Energiesparen):** Wenn der Player untätig ist, dann schaltet sich der Player nach Ablauf der eingestellten Zeit automatisch aus. Sie können zwischen „Ausschalten“, 30 s, 1 min und 2 min auswählen.
- **Backlight timer (Zeitsteuerung Hintergrundbeleuchtung):** Das Display wird nach Ablauf der eingestellten Zeit abgedunkelt. Der Xemio bleibt jedoch weiterhin aktiv. Drücken Sie eine beliebige Taste, um das Display wieder zu aktivieren. Sie können zwischen 10 s, 20 s, 30 s oder „Immer an“ auswählen.
- **Language (Sprache):** Drücken Sie die Taste Weiter (7) oder Zurück (4), um die gewünschte Sprache auszuwählen und danach zur Bestätigung die Taste Wiedergabe/Pause (8).
- **Information:** Anzeige von „Player info“ (Player-Informationen) und „Disk space“ (Plattenplatz) des Players.
- **Format Device (Gerät formatieren):** Löschen aller Daten auf der Speicherkarte. Wenn Sie die Taste Wiedergabe/Pause (8) drücken, dann erscheint die Meldung „All data will be erased. Continue?“ (Alle Daten werden gelöscht. Fortsetzen?). Wählen Sie „yes“ (Ja) aus, um das Löschen zu starten.
- **Auto upgrade (Automatische Aktualisierung):** Wenn eine neue Firmware veröffentlicht wurde, dann können Sie diese auf der microSD-Karte installieren. Wählen Sie die Firmware-Datei aus und drücken Sie dann die Taste Wiedergabe/Pause (8), um die Aktualisierung der Firmware zu starten.

**Hinweis:** Wir empfehlen Ihnen, vor der Aktualisierung des Players Rücksprache mit unserer technischen Betreuung zu halten, weil eine unsachgemäße Aktualisierung den Player beschädigen könnte.


## Werkzeuge

Im Bereich Werkzeuge finden Sie die Stoppuhrfunktion. Drücken Sie die Taste Wiedergabe/Pause (8), um die Stoppuhr zu starten. Es werden 5 Rundenzeiten angezeigt, die Sie mit der Taste Weiter (7) oder Zurück (4) auswählen können.

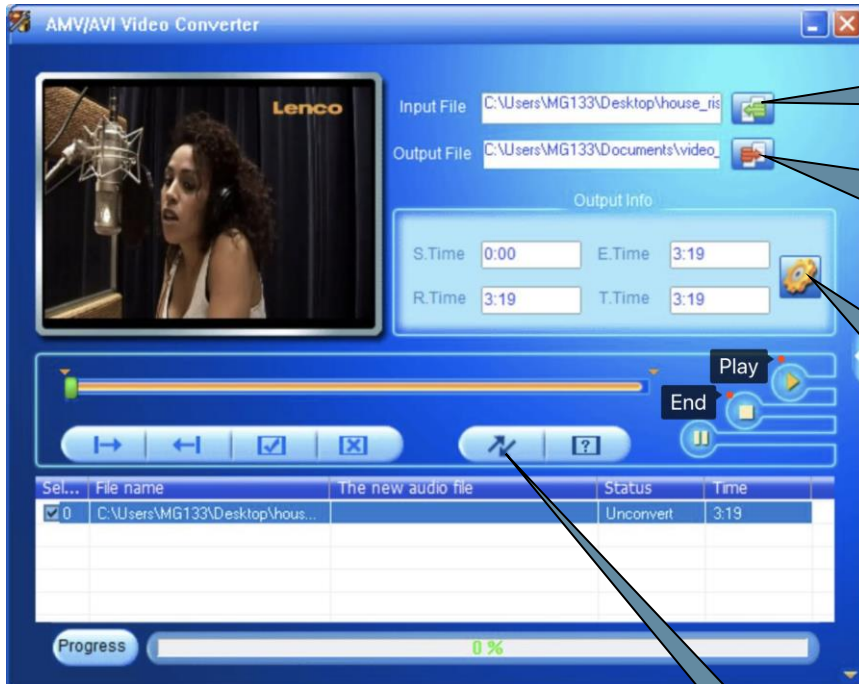
Die aktive Rundenzeit starten/stoppen Sie mit der Taste Wiedergabe/Pause (8). Durch Drücken der Taste [M] (5) setzen Sie alle Rundenzeiten zurück.

- Drücken Sie [↩] (6), um zum Hauptmenü zurückzukehren.

## Installation des Werkzeuges für die Videoumwandlung

1. Doppelklicken Sie auf  **amvtransform.exe** , um das Werkzeug für die Videoumwandlung zu starten.
2. Umwandlung von Videodateien.

Bitte folgen Sie den nachstehenden Schritten, um die Videoumwandlung durchzuführen:



1: Hier klicken, um die Quell-Videodatei auszuwählen.

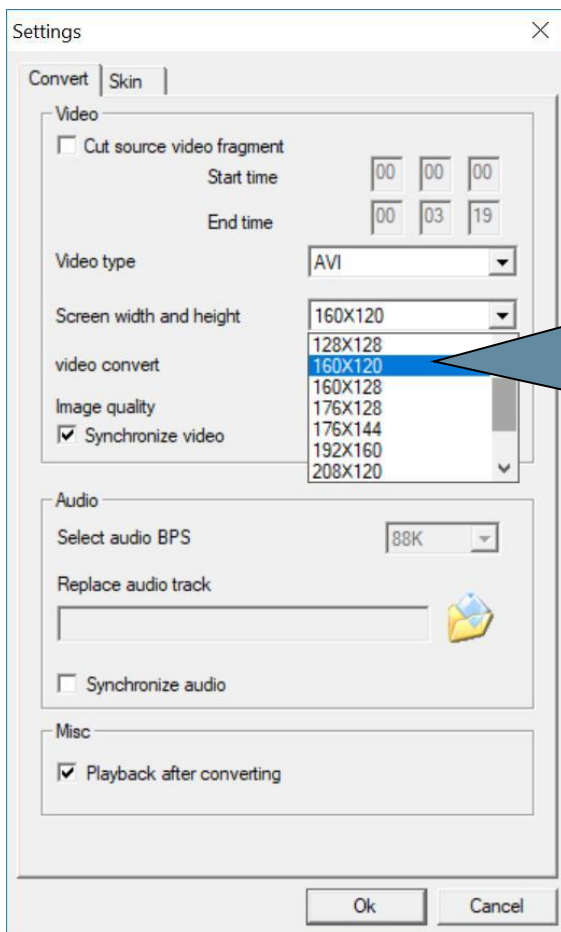
2: Hier klicken, um den Pfad für die Speicherung der umgewandelten Videodatei auszuwählen.

3: Hier klicken, um die Umwandlungseinstellungen festzulegen: (siehe nachstehenden Schritt 4)

Hinweis: Sollte dieser Teil ausgegraut sein, dann klicken Sie bitte zuerst „Play“ (Wiedergabe) und danach „End“ (Beenden) an, um diesen Teil zu aktivieren.

4: Bitte wählen Sie jetzt „160 x 120 Pixel“ aus und klicken Sie anschließend auf „OK“, um zum Umwandlungsmenü

5: Hier klicken, um die Videoumwandlung zu starten.





## Garantie

Lenco bietet Leistungen und Garantien im Einklang mit Europäischem Recht. Im Falle von Reparaturen (sowohl während als auch nach Ablauf der Garantiezeit) sollten Sie deshalb Ihren Einzelhändler kontaktieren.

Wichtiger Hinweis: Es ist nicht möglich, Geräte für Reparaturen direkt an Lenco zu schicken.

Wichtiger Hinweis: Falls dieses Gerät von einem nicht autorisierten Kundendienst geöffnet oder darauf zugegriffen wird, erlischt die Garantie.

Dieses Gerät ist nicht für professionelle Zwecke geeignet. Falls das Gerät für professionelle Zwecke eingesetzt wird, erlöschen alle Garantieverpflichtungen seitens des Herstellers.

## Haftungsausschluss

Aktualisierungen der Firmware und/oder Hardware-Komponenten werden regelmäßig durchgeführt. Daher können einige der Anweisungen, Spezifikationen und Abbildungen in dieser Dokumentation von Ihrer individuellen Situation abweichen. Alle in diesem Handbuch beschriebenen Elemente dienen nur zur Illustration und treffen auf Ihre individuelle Situation möglicherweise nicht zu. Aus der in diesem Handbuch getätigten Beschreibung können keine Rechtsansprüche oder Leistungsanforderungen geltend gemacht werden.

## Entsorgung des Altgeräts



Dieses Symbol zeigt an, dass das entsprechende Produkt oder dessen Akku/Batterie in Europa nicht mit dem normalen Hausmüll entsorgt werden darf. Um die ordnungsgemäße Abfallbehandlung des Produkts und dessen Akku/Batterie zu gewährleisten, müssen diese im Einklang mit allen anwendbaren örtlichen Vorschriften zur Entsorgung von Elektrogeräten und Akkus/Batterien entsorgt werden. Dabei helfen Sie, natürliche Ressourcen zu schonen und Umweltschutzstandards zur Verwertung und Entsorgung von Altgeräten aufrecht zu halten (Waste Electrical and Electronic Equipment Directive).

## Service

Besuchen Sie bitte für weitere Informationen und unseren Kundendienst unsere Homepage [www.lenco.com](http://www.lenco.com)

Lenco Benelux BV, Thermiekstraat 1a, 6361 HB, Die Niederlande.

**ATTENTION :**

L'utilisation de commandes ou de réglages ou l'exécution de procédures autres que ceux spécifiés dans ce manuel peut entraîner une exposition à des rayonnements dangereux.

Cet appareil ne doit pas être réglé ou réparé par quiconque d'autre que du personnel qualifié.

**PRÉCAUTIONS AVANT UTILISATION****GARDEZ CES INSTRUCTIONS À L'ESPRIT :**

1. N'utilisez pas cet appareil près de l'eau.
2. Nettoyez-le uniquement avec un chiffon doux légèrement humide.
3. Ne couvrez pas et n'obturez pas les ouvertures de ventilation. Lorsque vous placez l'appareil sur une étagère, laissez 5 cm (2") d'espace libre tout autour de l'appareil.
4. Installez-le conformément au mode d'emploi fourni.
5. \*Ne marchez pas sur l'adaptateur secteur ou ne le coincez pas. Faites très attention, en particulier près des fiches et du point de sortie du câble. Ne placez pas d'objets lourds sur l'adaptateur secteur, car ils pourraient l'endommager. Gardez l'appareil hors de portée des enfants ! Ils pourraient se blesser gravement s'ils jouent avec le câble d'alimentation.
6. \*Débranchez cet appareil pendant les orages ou lorsqu'il n'est pas utilisé pendant une longue durée.
7. Gardez l'appareil à l'écart des sources de chaleur telles que des radiateurs, chauffages, fours, bougies et autres produits générant de la chaleur ou une flamme nue.
8. Évitez d'utiliser l'appareil à proximité de champs magnétiques puissants.
9. Des décharges électrostatiques peuvent perturber le fonctionnement normal de cet appareil. Quand cela se produit, il suffit de réinitialiser et de redémarrer l'appareil en suivant le mode d'emploi. Pendant le transfert de fichiers, manipulez l'appareil avec précaution et faites-le fonctionner dans un environnement sans électricité statique.
10. Mise en garde ! N'introduisez jamais un objet dans l'appareil par les ouvertures et les fentes de ventilation. Étant donné que des tensions élevées sont présentes à l'intérieur du produit, l'insertion d'un objet peut entraîner une électrocution ou court-circuiter les composants internes. Pour les mêmes raisons, ne versez pas de l'eau ou un liquide sur le produit.
11. Ne l'utilisez pas dans des endroits humides tels qu'une salle de bain, une cuisine pleine de vapeur ou à proximité d'une piscine.
12. N'utilisez pas cet appareil lorsque de la condensation est possible.
13. Bien que ce dispositif soit fabriqué avec le plus grand soin et contrôlé à plusieurs reprises avant de quitter l'usine, il est toujours possible que des problèmes se produisent, comme avec tous les appareils électriques. Si l'appareil émet de la fumée ou s'il y a une accumulation de chaleur excessive ou un phénomène inattendu, débranchez immédiatement la fiche d'alimentation du secteur.
14. Cet appareil doit fonctionner avec la source d'alimentation indiquée sur la plaque signalétique. Si vous n'êtes pas sûr du type d'alimentation utilisé chez vous, consultez votre revendeur ou le fournisseur d'électricité local.
15. \*La prise secteur doit être installée près de l'appareil et doit être facilement accessible.
16. \*Ne surchargez pas les prises de courant ou les rallonges. Une surcharge peut entraîner un incendie ou une électrocution.
17. \*Les appareils à la norme de construction de classe 1 doivent être branchés à une prise de courant disposant d'une connexion protectrice à la terre.
18. \*Les appareils à la norme de construction de classe 2 ne nécessitent pas de connexion à la terre.
19. Tenez-le à l'abri des rongeurs. Les rongeurs adorent mordre les cordons d'alimentation.
20. \*Tirez toujours sur la fiche pour débrancher le cordon de la prise secteur. Ne tirez pas sur le cordon d'alimentation. Cela pourrait provoquer un court-circuit.
21. Évitez de placer l'appareil sur des surfaces sujettes aux vibrations ou aux chocs.
22. Pour nettoyer l'appareil, servez-vous d'un chiffon doux et sec. N'utilisez pas de solvant ni d'autre liquide à base de pétrole. Pour enlever les taches importantes, vous pouvez vous servir d'un chiffon humide imbibé d'une solution de détergent diluée.
23. Le fournisseur n'est pas responsable des dommages ou pertes de données causés par un dysfonctionnement, une utilisation abusive, une modification de l'appareil ou un remplacement de la batterie.
24. N'interrompez pas la connexion lorsque l'appareil formate ou transfère des fichiers. Sinon, les données pourraient être endommagées ou perdues.
25. Si l'appareil a une fonction de lecture USB, il faut brancher la clé USB directement sur l'appareil. N'utilisez pas de rallonge USB, car cela peut causer des interférences provoquant une perte de données.
26. L'appareil ne doit pas être exposé à des écoulements ou des éclaboussures et aucun objet contenant un liquide, tel qu'un vase, ne doit être posé sur ou près de l'appareil.
27. \*Pour que l'alimentation soit parfaitement déconnectée, la fiche d'alimentation de l'appareil doit être débranchée de la prise secteur.

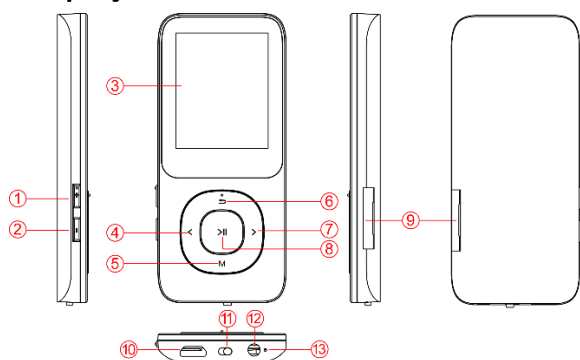
28. Si l'appareil a la possibilité de fonctionner sur batterie, n'exposez pas la batterie à une chaleur extrême telle que les rayons du soleil, le feu ou toute autre chaleur.
29. Veuillez considérer les questions environnementales lors de la mise au rebut des piles.
30. L'appareil doit être utilisé uniquement dans des conditions climatiques modérées, évitez un environnement extrêmement froid ou chaud.
31. La plaque signalétique se situe en dessous ou à l'arrière de l'appareil.
32. Cet appareil n'est pas destiné à être utilisé par des personnes (enfants compris) souffrant de handicaps physiques, sensoriels ou mentaux, ou manquant d'expérience et de connaissances, sauf si elles sont sous surveillance ou ont reçu des instructions sur l'utilisation correcte de l'appareil par la personne qui est responsable de leur sécurité.
33. Ce produit est réservé à un usage non professionnel, et non pas à un usage commercial ni industriel.
34. Vérifiez que l'appareil est en position stable. La garantie ne couvre pas les dégâts occasionnés par l'utilisation de cet appareil en position instable ou par la non-observation de tout autre avertissement ou précaution contenus dans ce mode d'emploi.
35. Ne retirez jamais le boîtier de l'appareil.
36. Ne placez jamais cet appareil sur un autre appareil électrique.
37. N'utilisez et ne rangez pas ce produit dans un endroit ensoleillé, chaud, très poussiéreux ou soumis à des vibrations excessives.
38. Ne laissez pas les sacs en plastique à la portée des enfants.
39. Utilisez uniquement les accessoires recommandés par le fabricant.
40. Confiez l'entretien et les réparations à un personnel qualifié. Une réparation est nécessaire lorsque l'appareil a été endommagé de quelque façon que ce soit, par exemple lorsque le cordon d'alimentation ou la prise sont endommagés, lorsqu'un liquide a été renversé ou des objets ont été introduits dans l'appareil, lorsque l'appareil a été exposé à la pluie ou à l'humidité, lorsqu'il ne fonctionne pas correctement ou lorsque l'appareil est tombé.
41. \*N'utilisez pas un cordon ou une fiche d'alimentation endommagé ni une prise desserrée. Vous risqueriez de causer un incendie ou une décharge électrique.
42. Une exposition prolongée aux sons puissants des lecteurs personnels de musique peut entraîner une perte temporaire ou définitive de l'ouïe.

#### **INSTALLATION**

- Déballez toutes les pièces et enlevez le matériau de protection.
- \*Ne connectez pas l'appareil au secteur avant d'avoir vérifié la tension du secteur et avant que toutes les autres connexions n'aient été effectuées.

**\*Ces instructions s'appliquent uniquement aux produits utilisant un câble d'alimentation ou un adaptateur secteur.**

## • Aperçu des commandes :



- 1) **[VOL+]** : Monter le volume.
- 2) **[VOL-]** : Baisser le volume.
- 3) **Écran** : Écran TFT de 1,8 pouce.
- 4) **[◀◀]** : Appui court pour aller à la piste précédente/Appui long pour faire un retour rapide.
- 5) **[M]** : Sur l'écran des chansons, appui court sur la touche M pour changer le mode de lecture.
- 6) **[↶]** : Pour revenir au menu précédent.
- 7) **[▶▶]** : Appui court pour aller à la piste suivante/Appui long pour faire une avance rapide.
- 8) **[▶||]** : Touche de confirmation/Lecture et pause/Appui long pour éteindre/allumer.
- 9) **[μSD]** : Fente de carte microSD (jusqu'à 64 Go).
- 10) **[USB]** : Port micro USB, transfert de données et recharge
- 11) **[ON/OFF]** : Interrupteur MARCHE/ARRÊT.
- 12) **Prise écouteurs**: Ø 3,5 mm
- 13) **MICRO**: Enregistrement vocal

## • Connexion avec un PC et transfert de fichiers audio à partir d'un PC

Connectez le lecteur à un ordinateur pour télécharger des fichiers ou charger le lecteur.

1. Veillez à ce que votre ordinateur soit allumé avant de connecter le lecteur Xemio à votre ordinateur.
2. Utilisez le câble micro USB fourni pour le connecter à votre ordinateur. Un écran indiquant « Charge & transfer » (Charge et transfert) ou « Charge & play » (Charge et lecture) apparaîtra.
3. Le lecteur ne dispose pas de mémoire intégrée. Votre musique ou vos fichiers vidéo doivent être stockés sur une carte microSD (fournie).
  - 3.1 Si le lecteur est connecté avec la carte microSD déjà insérée, l'ordinateur l'affichera comme un disque amovible.
  - 3.2 Si le lecteur est connecté sans la carte microSD, l'ordinateur le reconnaîtra mais ne l'affichera pas comme un disque amovible.
4. Glissez et déposez les fichiers dans le lecteur (sous réserve que la carte mémoire soit insérée dans le lecteur).

### Remarque :

1. L'indicateur de charge de la batterie s'anime lorsque le lecteur est connecté à l'ordinateur.
2. Ne déconnectez pas le lecteur de l'ordinateur pendant un transfert de données, car vous risqueriez d'endommager le lecteur ou la carte microSD.
3. Si l'interrupteur d'alimentation (11) est sur la position d'arrêt, le lecteur sera reconnu par l'ordinateur, mais la batterie ne sera pas en charge.

### Remarque importante :

- Si le lecteur ne s'allume pas, veuillez vérifier la position de l'interrupteur d'alimentation (11). Il doit être sur la position « marche ».
- Veuillez à ce que l'interrupteur d'alimentation (11) soit sur la position « marche » avant de charger le lecteur afin d'éviter l'affichage de messages sur l'écran LCD.
- Le lecteur ne dispose pas de mémoire intégrée. Veuillez insérer une carte microSD dans le lecteur avant utilisation.
- Le mode Bluetooth du lecteur n'est prévu que pour les fonctions de transmission vers des dispositifs Bluetooth, tels que casques d'écoute ou enceintes acoustiques. Il ne permet pas la connexion à des téléphones mobiles ou des ordinateurs.

## • Fonctionnement de base

| Fonction               | Instructions  |
|------------------------|---|
| <b>Marche/Arrêt</b>    | <ul style="list-style-type: none"> <li>Placez l'interrupteur d'alimentation (11) du lecteur sur la position « marche ».</li> <li>Si le lecteur ne s'allume pas, appuyez alors sur le bouton ►   pour l'allumer.</li> <li>Si vous n'appuyez sur aucun bouton ou si la musique n'est pas reproduite pendant un certain temps, le lecteur s'éteindra automatiquement pour économiser la batterie.</li> </ul>   |
| <b>Menu principal</b>  | <ul style="list-style-type: none"> <li>Utilisez les touches fléchées de sélection de la piste pour parcourir le menu principal et sélectionnez la fonction souhaitée à l'aide de la touche de lecture/pause (8). Les fonctions sont : Musique, Bluetooth, Vidéo, Images, Enregistreur, Livre numérique, Affichage des dossiers, Réglages ou Outils.</li> </ul>  |
| <b>Écouter musique</b> | <p><b>votre</b> Sélectionnez l'icône Music (Musique), puis appuyez sur la touche de lecture/pause (8). Une nouvelle liste apparaîtra avec les éléments suivants : « All songs » (Toutes les chansons), « Last played » (Dernière lue), « Artists » (Artistes), « Albums » (Albums), « Genres » (Genres), « Playlists » (Listes de lecture) et « Update Playlist » (Actualiser la liste de lecture).</p> <ul style="list-style-type: none"> <li>Appuyez sur la touche de lecture/pause (8) pour sélectionner « All songs » (Toutes les chansons). Choisissez une chanson, puis appuyez sur la touche de lecture/pause (8) pour commencer à reproduire toutes les chansons, sélectionnez ensuite une chanson pour démarrer la lecture.</li> </ul>   |
| <b>Bluetooth</b>       | <p>Sélectionnez l'icône Bluetooth (Bluetooth), puis appuyez sur la touche de lecture/pause (8). Une liste apparaîtra avec les éléments suivants : Commande Bluetooth, Recherche des dispositifs, Liste des dispositifs, Toutes les chansons et En lecture. Appuyez sur la touche de lecture/pause (8) pour sélectionner « BT Control »(Commande Bluetooth) puis « Marche » pour activer la connectivité Bluetooth.</p> <ul style="list-style-type: none"> <li>Appuyez sur la touche de lecture/pause (8) pour sélectionner « Search Device » (Recherche des dispositifs) afin de commencer la détection des dispositifs Bluetooth disponibles. Sélectionnez ensuite le dispositif que vous souhaitez en appuyant sur la touche de lecture/pause (8). Appuyez enfin sur la touche de lecture/pause (8) pour sélectionner l'option « Pair » (Coupler) afin de vous connecter au dispositif Bluetooth. Le message « BT connected » (Connecté via BT) s'affichera sur l'écran une fois la connexion au dispositif réussi.</li> <li>Utilisez la touche de sélection de la piste suivante (7) ou précédente (4) pour sélectionner « All Songs » (Toutes les chansons), puis appuyez sur la touche de lecture/pause (8) pour sélectionner la chanson souhaitée et commencer la lecture.</li> </ul> |
| <b>Vidéo</b>           | <p>Sélectionnez l'icône Video (Vidéo) sur le menu principal, puis appuyez sur la touche de lecture/pause (8). Si des fichiers vidéo sont disponibles sur votre carte microSD, ils s'afficheront. Format pris en charge : AVI/AMV (la résolution doit être inférieure à 120 × 160 pixels). Veuillez suivre les instructions ci-après pour la conversion vidéo.</p> <ul style="list-style-type: none"> <li>Sélectionnez une vidéo dans la liste, puis appuyez sur la touche de lecture/pause (8) pour démarrer la lecture.</li> <li>Appuyez sur la touche de sélection de la piste suivante (7) ou précédente (4) pour passer à la vidéo suivante/précédente.</li> <li>Appuyez longuement sur la touche de sélection de la piste suivante (7) ou précédente (4) pour faire une avance ou un retour rapide.</li> <li>Appuyez sur la touche de lecture/pause (8) pour lire ou mettre en pause la vidéo.</li> <li>Appuyez sur la touche [M] (5) pour sélectionner une des fonctions suivantes pendant la lecture vidéo : « Repeat » (Répéter), « Delete vidéo » (Supprimer une vidéo) ou « Update Playlist » (Actualiser la liste de lecture). Appuyez sur la touche de lecture/pause (8) pour confirmer.</li> </ul>   |
| <b>Image</b>           | <p>Sélectionnez l'icône <b>Picture</b> (Image) dans le menu principal, puis appuyez sur la touche de lecture/pause (8). Une liste des images disponibles s'affichera.</p> <ul style="list-style-type: none"> <li>Appuyez brièvement sur la touche fléchée vers la droite pour sélectionner l'image que vous souhaitez afficher.</li> <li>Appuyez sur la touche de lecture/pause (8) pour confirmer l'affichage de l'image.</li> </ul>   |

|                                    |  |
|------------------------------------|--|
|                                    | <ul style="list-style-type: none"> <li>• Lorsque le lecteur est sur l'écran des images, appuyez sur la touche [M] (5). Les fonctions « Slideshow settings » (Paramètres du diaporama) et « Delete picture » (Supprimer une image) apparaîtront. Appuyez sur la touche de lecture/pause (8) pour confirmer la configuration.</li> <li>• Appuyez sur [↵] pour revenir au menu principal.</li> </ul>  |
| <b>Enregistreur</b>                | <p>Sélectionnez l'icône <b>Recorder</b> (Enregistreur), puis appuyez sur la touche de lecture/pause (8). Une nouvelle liste apparaîtra avec les éléments suivants : « Record voice » (Enregistrement vocal), « Record Lib. » (Bibliothèque d'enregistrement) et « Set record » (Configurer l'enregistrement).</p> <ul style="list-style-type: none"> <li>• Sélectionnez l'option « Record voice » (Enregistrement vocal), puis appuyez sur la touche de lecture/pause (8). Le lecteur affichera « Please wait » (Veuillez patienter), puis l'enregistrement commence.</li> <li>• Appuyez sur la touche de lecture/pause (8) pour mettre en pause l'enregistrement.</li> <li>• Appuyez sur la touche [↵]. Le lecteur affichera le message « Save recording ? » (Stocker l'enregistrement ?). Sélectionnez « Yes » (Oui), puis appuyez sur la touche de lecture/pause (8) pour le stocker.</li> <li>• Sélectionnez l'option « Set Record », puis appuyez sur la touche de lecture/pause (8) pour accéder aux réglages du « Bitrate » (Débit binaire). La sélection s'effectue avec la touche fléchée vers la droite parmi les valeurs « 512kbps/768kbps/1024kbps/1536kbps » (512/768/1024/1536 kbit/s) pour les enregistrements.</li> </ul>  |
| <b>Écouter des enregistrements</b> | <p>Sélectionnez l'icône <b>Recorder</b> (Enregistreur) dans le menu principal, puis appuyez sur la touche fléchée vers la droite pour passer à l'option « Record lib. » (Bibliothèque d'enregistrement).</p> <ul style="list-style-type: none"> <li>• Appuyez sur la touche de lecture/pause (8) pour confirmer. Le lecteur affichera l'option « Delete All » (Supprimer tout) et une liste des fichiers enregistrés.</li> <li>• Sélectionnez un fichier enregistré, puis appuyez sur la touche centrale pour commencer la lecture du fichier souhaité.</li> </ul>   |
| <b>Livre numérique</b>             | <p>Sélectionnez l'icône <b>E-book</b> (Livre numérique) dans le menu principal, puis appuyez sur la touche de lecture/pause (8). Une liste des livres numériques disponibles s'affichera.</p> <p>Le format de livre numérique pris en charge est le format de fichier .TXT.</p> <ul style="list-style-type: none"> <li>• Appuyez sur la touche de sélection de la piste suivante (7) ou précédente (4) pour passer au fichier que vous souhaitez afficher, puis appuyez sur la touche de lecture/pause (8) pour confirmer l'affichage.</li> <li>• Dans l'écran des livres numériques, appuyez sur la touche [M] (5) pour afficher une nouvelle liste d'options : « Play setting » (Paramètre de lecture), « Delete eBook » (Supprimer un livre numérique), « Delete bookmark » (Supprimer un signet), « Add bookmark » (Ajouter un signet) et « Page select » (Aller à la page).</li> </ul> <p>Sélectionnez « <b>Play setting</b> » (Paramètre de lecture) pour configurer le délai d'affichage automatique de la page (de 2 à 30 secondes), puis appuyez sur la touche de lecture/pause (8) pour confirmer.</p> <ul style="list-style-type: none"> <li>• Sur l'écran des livres numériques, appuyez sur la touche centrale pour démarrer la lecture automatique (une icône de lecture apparaîtra dans la partie supérieure de l'écran).</li> <li>• Appuyez sur [↵] (6) pour revenir au menu principal.</li> </ul> |
| <b>Aperçu des dossiers</b>         | <p>Sélectionnez l'icône <b>Folder</b> (Dossier) dans le menu principal, puis appuyez sur la touche de lecture/pause. Le lecteur affichera tous les fichiers de la carte mémoire, y compris les fichiers musicaux, les fichiers vidéo, les fichiers d'image et les fichiers de livre numérique.</p> <ul style="list-style-type: none"> <li>• Appuyez sur la touche de sélection de la piste suivante (7) ou précédente (4) pour passer à n'importe quel fichier que vous souhaitez afficher, puis appuyez sur la touche de lecture/pause (8) pour confirmer l'affichage. Les opérations de base sont identiques à celles des contenus déjà abordés.</li> <li>• Appuyez sur [↵] (6) pour revenir au menu principal.</li> </ul>   |
| <b>Réglages</b>                    | <ul style="list-style-type: none"> <li>• Sélectionnez l'icône <b>Settings</b> (Réglages) dans le menu principal, puis appuyez sur la touche de lecture/pause (8). Une liste avec les options suivantes s'affichera :</li> <li>• <b>Restore device (Réinitialisation de l'appareil)</b> : Pour restaurer les réglages d'usine. Sélectionnez « Yes » (Oui), puis appuyez sur la touche de lecture/pause (8) pour confirmer l'opération. Le lecteur redémarrera.</li> <li>• <b>Ear protect (Protection auditive)</b> : Pour activer/désactiver le message de volume élevé si le niveau</li> </ul>   |

est supérieur à 20.

- **Sleep timer (Minuteur de veille)** : Si l'option est activée, le lecteur s'éteindra après la durée choisie, peu importe si la musique est jouée ou pas. Choisissez une option parmi 15 min, 30 min, 60 min, 100 min ou « Désactivé » pour désactiver cette fonction.

**Remarque** : *Le minuteur de veille sera configuré avec le paramètre par défaut « Désactivé » si le lecteur Xemio est éteint puis rallumé.*

- **Power saving (Économie d'énergie)**: Quand le lecteur est au repos, il s'éteindra automatiquement après le délai configuré. Choisissez une option parmi « Turn off » (Désactivé), 30 s, 1 min, 2 min.
- **Backlight timer (Délai de rétroéclairage)** : L'écran du lecteur s'éteindra après le délai configuré. Le lecteur Xemio demeurera actif. Appuyez sur une touche quelconque pour réactiver l'écran. Choisissez une option parmi 10 s, 20 s, 30 s ou « Always on » (Toujours allumé).
- **Language (langue)** : Appuyez sur la touche de sélection de la piste suivante (7) ou précédente (4) pour sélectionner la langue souhaitée, puis appuyez sur la touche de lecture/pause (8) pour confirmer.
- **Informations** : Affichera les options « Player info » (Informations sur le lecteur) et « Disk space » (Espace de stockage) du lecteur.
- **Format Device (Formater le dispositif)** : Effacera toutes les données sur la carte mémoire. Appuyez sur la touche de lecture/pause (8) et un message d'avertissement « All data will be erased. Continue ? » (Toutes les données seront effacées. Continuer ?). Sélectionnez « Yes » (Oui) pour confirmer l'opération d'effacement.
- **Auto upgrade (Mise à niveau automatique)** : Si un nouveau micrologiciel est publié, vous pourrez l'installer à partir de la carte microSD. Appuyez sur la touche de lecture/pause (8) pour sélectionner le fichier du micrologiciel et démarrer la mise à niveau.

**Remarque** : *il est conseillé de contacter notre assistance technique avant de mettre à niveau le lecteur parce qu'une mauvaise mise à niveau peut endommager le lecteur.*

## Outils

Vous trouverez la fonction de chronomètre dans la section des outils. Appuyez sur la touche de lecture/pause (8) pour lancer le chronomètre. Il sera possible de choisir 5 chronomètres (temps au tour) à l'aide des touches de sélection de la piste suivante (7) ou précédente (4).

Un appui sur la touche de lecture/pause (8) lancera/arrêtera le chronomètre actif (temps au tour). Appuyez sur la touche [M] (5) pour remettre à zéro tous les chronomètres (temps au tour).

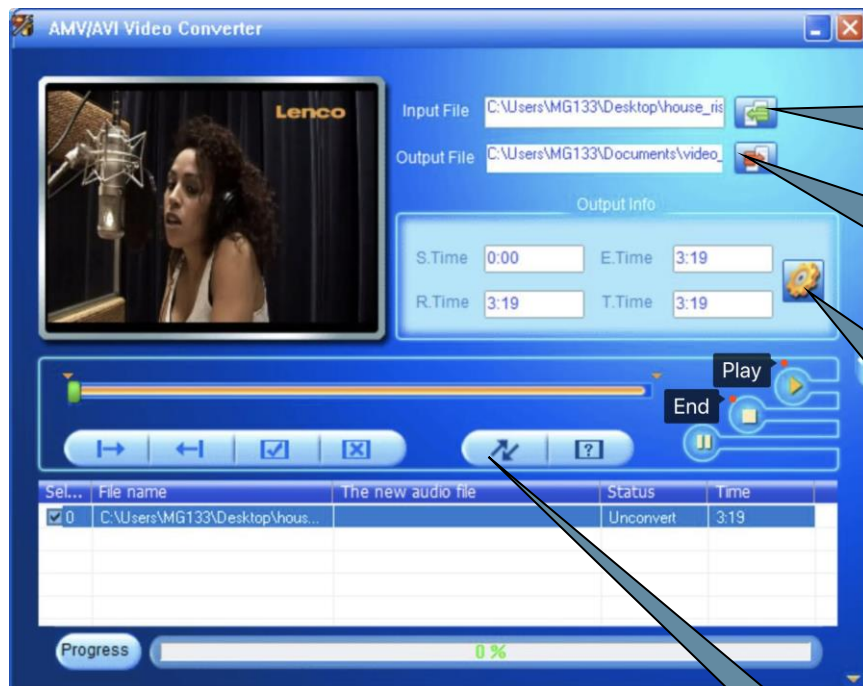
- Appuyez sur [↩] (6) pour revenir au menu principal.

## Installer l'outil de conversion vidéo

1. Double-cliquez sur  amvtransform.exe pour exécuter l'outil de conversion vidéo.

2. Convertissez les fichiers vidéo.

Veillez suivre les étapes ci-après pour effectuer la conversion vidéo :



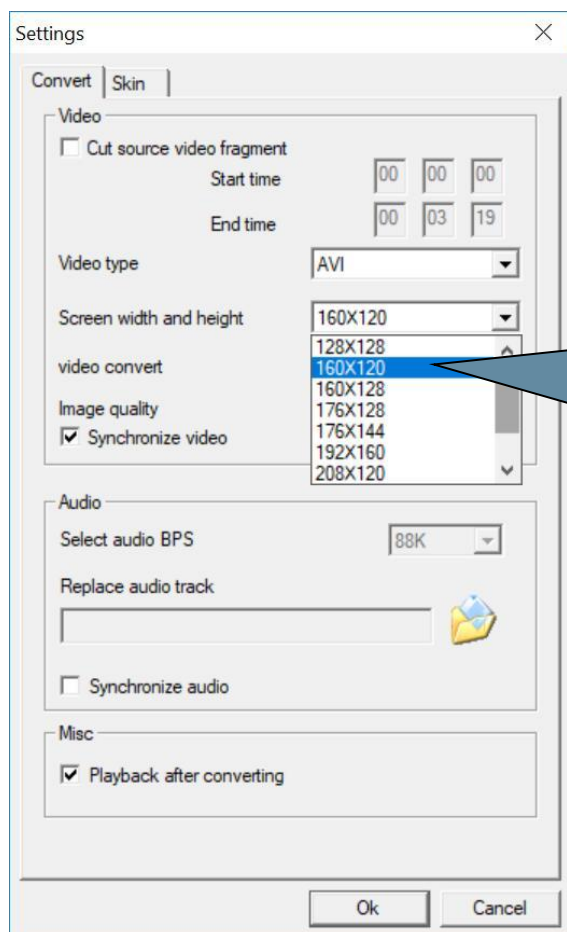
1 : Cliquez sur ce bouton pour sélectionner les fichiers vidéo d'origine.

2 : Cliquez sur ce bouton pour sélectionner le chemin d'enregistrement des fichiers convertis.

3 : Cliquez sur ce bouton pour configurer la conversion : (Voir l'étape 4 ci-après)  
Remarque : si cette section est grisée, veuillez cliquer sur « Play » (Lecture) puis sur « End » (Fin) pour l'activer.

4 : Veuillez sélectionner « 160X120 », puis cliquez sur « OK » pour revenir au menu de conversion.

5 : Cliquez sur ce bouton pour démarrer la conversion vidéo.





## Garantie

Lenco propose un service et une garantie conformément à la législation européenne, ce qui signifie qu'en cas de besoin de réparation (aussi bien pendant et après la période de garantie), vous pouvez contacter votre revendeur le plus proche.

Remarque importante : Il n'est pas possible de renvoyer l'appareil pour réparation directement à Lenco.

Remarque importante : Si l'appareil est ouvert ou modifié de quelque manière que ce soit par un réparateur non agréé, la garantie serait caduque.

Cet appareil ne convient pas à une utilisation professionnelle. En cas d'utilisation professionnelle, les obligations de garantie du fabricant seront annulées.

## Clause de non-responsabilité

Des mises à jour du logiciel et/ou des composants informatiques sont régulièrement effectuées. Il se peut donc que certaines instructions, caractéristiques et images présentes dans ce document diffèrent légèrement de votre configuration spécifique. Tous les articles décrits dans ce guide sont fournis uniquement à des fins d'illustration et peuvent ne pas s'appliquer à une configuration spécifique. Aucun droit légal ne peut être obtenu depuis les informations contenues dans ce manuel.

## Mise au rebut de l'appareil usagé



Ce symbole indique que le produit électrique concerné ainsi que les piles ne doivent pas être jetés avec les autres déchets ménagers en Europe. Pour garantir un traitement correct des piles et de l'appareil usagés, veuillez les mettre au rebut conformément aux réglementations locales en vigueur relatives aux appareils électriques et autres piles. En agissant de la sorte, vous contribuerez à la préservation des ressources naturelles et à l'amélioration des niveaux de protection environnementale concernant le traitement et la destruction des déchets électriques (directive sur les déchets des équipements électriques et électroniques).

## Service après-vente

Pour en savoir plus et obtenir de l'assistance, visitez [www.lenco.com](http://www.lenco.com)

Lenco Benelux BV, Thermiekstraat 1a, 6361 HB, Pays-Bas.

**PRECAUCIÓN:**

El uso de los controles o ajustes o el funcionamiento de los procedimientos excepto a aquellos especificados aquí pueden provocar una exposición peligrosa a la radiación.

Esta unidad no debe ajustarse o repararse por ninguna persona salvo personal de servicio cualificado.

**PRECAUCIONES PREVIAS AL USO****TENGA ESTAS INSTRUCCIONES EN MENTE:**

1. No use este dispositivo cerca del agua.
2. Límpielo únicamente con un paño ligeramente humedecido.
3. No cubra o bloquee ninguna apertura de ventilación. Cuando coloque el dispositivo en una estantería, deje 5 cm (2") de espacio libre alrededor de todo el dispositivo.
4. Instálelo conforme al manual de usuario que se adjunta.
5. \*No pise o pince el adaptador de alimentación. Tenga mucho cuidado, en especial cerca de las tomas y el punto de salida del cable. No coloque objetos pesados en el adaptador de alimentación, ya que pueden dañarlo. ¡Mantenga el dispositivo fuera del alcance de los niños! Si juegan con el cable de alimentación, puede sufrir lesiones graves.
6. \*Desconecte el dispositivo durante tormentas eléctricas o cuando no vaya a usarse durante periodos prolongados de tiempo.
7. Mantenga el aparato alejado de fuentes de calor, como radiadores, calentadores, estufas, velas u otros productos que generen calor o llama viva.
8. Evite usar el dispositivo cerca de campos magnéticos fuertes.
9. Una descarga electrostática puede entorpecer el uso normal de este dispositivo. En tal caso, simplemente reinícielo siguiendo el manual de instrucciones. Durante la transmisión de archivos, por favor manéjelo con cuidado opérelo en un entorno libre de electricidad estática.
10. ¡Advertencia! Nunca inserte un objeto en el producto a través de las ventilaciones o aperturas. Alto voltaje fluye a través del producto e insertar un objeto puede provocar una descarga eléctrica y/o un cortocircuito de sus componentes internos. Por el mismo motivo, no derrame agua o líquidos en el producto.
11. No lo utilice en zonas húmedas, como cuartos de baño, cocinas en las que se forme vapor ni cerca de piscinas.
12. No use este dispositivo cuando se pueda producir condensación.
13. Aunque este dispositivo está fabricado con el máximo cuidado y comprobado varias veces antes de salir de fábrica, todavía es posible que se puedan producir problemas, al igual que con todos los aparatos eléctricos. Si observa la aparición de humo, una acumulación excesiva de calor o cualquier otro fenómeno inesperado, deberá desconectar inmediatamente el enchufe de la toma de corriente.
14. Este dispositivo debe funcionar con una fuente de alimentación que se especifica en la etiqueta de especificaciones. Si no está seguro del tipo de alimentación que se usa en su hogar, consulte con el distribuidor o una compañía eléctrica local.
15. \*La salida de la toma debe instalarse cerca del equipo y debe ser fácilmente accesible.
16. \*No sobrecargue las tomas CA o los cables de extensión. La sobrecarga puede provocar un incendio o una descarga eléctrica.
17. \*Los dispositivos con construcción Clase 1 deben estar conectados a una toma de corriente con una conexión a tierra protegida.
18. \*Los dispositivos con construcción Clase 2 no requieren una conexión a tierra.
19. Manténgalo alejado de los roedores. Los roedores disfrutan mordiendo cables de alimentación.
20. \*Sujete siempre el enchufe cuando los extraiga de la toma de corriente. No tire del cable de alimentación. Esto puede provocar un cortocircuito.
21. Evite colocar la unidad sobre superficies sometidas a vibraciones o impactos.
22. Para limpiar el dispositivo use un paño seco y suave. No utilice líquidos disolventes ni con base de petróleo. Para eliminar manchas difíciles, puede usar un paño húmedo con detergente diluido.
23. El proveedor no asume ninguna responsabilidad por daños o datos perdidos provocados por un funcionamiento incorrecto, uso incorrecto, modificación del dispositivo o sustitución de la batería.
24. No interrumpa la conexión cuando el dispositivo esté formateando o transfiriendo archivos. En caso contrario, los datos se pueden estropear o perder.
25. Si la unidad dispone de función de reproducción USB, se debe conectar la memoria USB directamente en la unidad. No use un cable de extensión USB ya que puede causar interferencias lo que puede provocar un fallo en los datos.
26. El aparato no debe exponerse a goteos o salpicaduras y asegúrese de que ningún objeto lleno de líquido, como jarrones, se colocan sobre o cerca del aparato.
27. \*Para desconectar completamente la entrada de alimentación, el enchufe del aparato deberá desconectarse de la alimentación, ya que el dispositivo de desconexión es el enchufe del aparato.
28. Si la unidad funciona con batería, la batería no debe exponerse a un calor excesivo como a la luz solar, el fuego o similares.

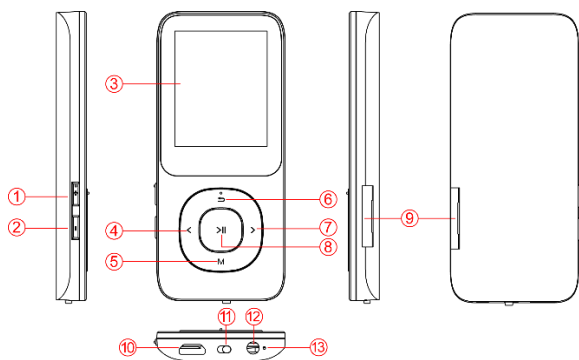
29. Se debe prestar atención a los aspectos medioambientales sobre la eliminación de baterías.
30. El aparato solo debe usarse en climas moderados o extremadamente fríos y deben evitarse los entornos calurosos.
31. La etiqueta identificativa aparece marcada en la parte inferior o en el trasero del aparato.
32. Este aparato no está diseñado para su uso por personas (incluyendo niños) con discapacidades físicas, sensoriales o mentales o con falta de experiencia o conocimientos, salvo que estén bajo la supervisión o hayan recibido formación sobre el uso correcto del dispositivo por parte de una persona responsable de su seguridad.
33. Este producto está diseñado para un uso no profesional únicamente y no para un uso comercial o industrial.
34. Asegúrese de que la unidad esté fijada en una posición estable. Los daños provocados por utilizar este producto en una posición inestable o por no seguir cualquier otra advertencia o precaución incluida en este manual de usuario no estarán cubiertos por la garantía.
35. No retire nunca la carcasa de este aparato.
36. Nunca coloque el aparato sobre otro equipo eléctrico.
37. No utilice ni guarde el producto en lugares expuestos a la luz solar directa, a altas temperaturas, a la vibración ni en ambientes excesivamente polvorientos.
38. Mantenga las bolsas de plástico fuera del alcance de los niños.
39. Use únicamente los dispositivos/accesorios especificados por el fabricante.
40. Remita todas las reparaciones al personal cualificado. La reparación es necesaria cuando el aparato presente cualquier tipo de daño, como el cable de alimentación o el enchufe, cuando se haya derramado líquido o hayan caído objetos sobre el aparato, o cuando el aparato se haya visto expuesto a la lluvia o humedad, o no funcione normalmente o se haya caído.
41. \*No utilice un cable de alimentación o enchufe deteriorado o una toma suelta. Si lo hace, podría provocar un incendio o una descarga eléctrica.
42. La exposición prolongada a sonidos fuertes de reproductores personales de música puede provocar pérdida de audición temporal o permanente.

## **INSTALACIÓN**

- Desembale todas las piezas y retire el material protector.
- \*No conecte la unidad a la corriente eléctrica antes de comprobar la tensión de la corriente y antes de que se hayan hecho todas las demás conexiones.

**\*Estas instrucciones solo están relacionadas con productos que usen un cable de alimentación o un adaptador de corriente CA.**

• **Vista general de los controles:**



- 1) **[VOL+]:** Subir el volumen.
- 2) **[VOL-]:** Bajar el volumen.
- 3) **Pantalla:** Pantalla TFT de 1.8 pulgadas.
- 4) **[◀◀]:** Pulsación corta para pista anterior / pulsación larga para rebobinar.
- 5) **[M]:** Con la canción en pantalla, pulse M para cambiar el modo de reproducción.
- 6) **[↶]:** Vuelve al menú anterior.
- 7) **[▶▶]:** Púlselo brevemente para la pista siguiente / púlselo durante un periodo prolongado de tiempo para avanzar rápido.
- 8) **[▶||]:** Tecla Entrar / reproducir y pausar / pulsación larga para encender / apagar.
- 9) **[MicroSD]:** Ranura para tarjeta MicroSD de hasta 64 GB.
- 10) **[MicroUSB]:** Puerto MicroUSB, transferencia de datos y recarga
- 11) **[ON/OFF]:** ENCENDER/APAGAR.
- 12) **Toma de auriculares:**  $\phi 3,5$  mm
- 13) **MICRÓFONO:** Grabación de voz

• **Conéctelo al PC y descargue archivos de audio desde el PC**

Conecte el reproductor al PC para descargar los archivos o para cargar el reproductor.

1. Asegúrese de que el PC esté encendido antes de conectar el Xemio al PC.
2. Use el cable MicroUSB incluido para conectarlo al PC y cargará una pantalla que indica "Charge & transfer" (Cargar y transferir) o "Charge & Play" (Cargar y reproducir).
3. El reproductor no tiene memoria integrada. Los archivos de música/vídeo tienen que estar almacenados en una tarjeta MicroSD (incluida).
  - 3.1 Si el reproductor está conectado con la tarjeta MicroSD introducida, en el PC aparecerá como un disco extraíble.
  - 3.2 Si el reproductor está conectado sin la tarjeta MicroSD introducida, en el PC reconocerá el dispositivo pero no lo mostrará como disco extraíble.
4. A continuación, arrastre y suelte los archivos en el reproductor (el reproductor se proporciona con una tarjeta de memoria introducida).

**Nota:**

1. Cuando el reproductor esté conectado al PC, aparecerá la animación de carga de batería.
2. No desconecte el reproductor del PC durante la transferencia de datos, ya que podría dañar el reproductor y/o la tarjeta MicroSD.
3. Cuando el interruptor de encendido (11) esté en la posición de apagado, el PC reconocerá al reproductor pero no cargará la batería.

**Aviso importante:**


- Si el reproductor no se enciende, compruebe el interruptor de encendido (11). Debe de estar en la posición «encendido».
- Verifique que el interruptor de encendido esté en la posición «encendido» (11) antes de cargar el reproductor, para evitar los mensajes recordatorios en la pantalla LCD.
- El reproductor se entrega sin memoria integrada. Introduzca la tarjeta MicroSD en el reproductor antes de utilizarlo.
- El modo Bluetooth del reproductor es únicamente para transmitir a los dispositivos Bluetooth como auriculares o altavoces. No es válido para conectar el dispositivo a teléfonos o PCs.

| • Funcionamiento básico |   |
|-------------------------|---|
| Función                 | Instrucción   |
| <b>Encender/Apagar</b>  | <ul style="list-style-type: none"> <li>• Para encender el reproductor, coloque el interruptor de encendido en la posición '«encendido» (11).</li> <li>• Si el reproductor no se enciende, mantenga pulsado el botón ►II para encenderlo.</li> <li>• Si el reproductor no está reproduciendo música y no se pulsa ningún botón en un rato, el reproductor se apagará automáticamente para ahorrar batería.</li> </ul>  |
| <b>Menú principal</b>   | <ul style="list-style-type: none"> <li>• Use las flechas para navegar por el menú principal y seleccionar la función que desee presionando el botón reproducir/pausar (8) (Música, Bluetooth, Vídeo, Imágenes, Grabadora, EBook, Vista de carpetas, Ajustes o Herramientas.)</li> </ul>   |
| <b>Escuchar música</b>  | <p>Seleccione el icono de Music (música) y pulse el botón reproducir/pausa (8). Aparecerá una nueva lista con las opciones siguientes: All songs (Todas las canciones), Last played (Última reproducida), Artists (Artistas), Albums (Álbumes), Genres (Géneros), Playlists (Listas de reproducción) y Update Playlist (Actualizar lista).</p> <ul style="list-style-type: none"> <li>• Pulse el botón reproducir/pausar (8) sobre la opción "all songs" (Todas las canciones). Seleccione una canción y pulse el botón reproducir/pausar (8) para empezar la reproducción.</li> </ul>  |
| <b>Bluetooth</b>        | <p>Seleccione el icono Bluetooth y pulse el botón reproducir/pausar (8). Aparecerá la siguiente lista de opciones: BT Control (Control BT), Search Device (Buscar dispositivo), Device List (Lista de dispositivos), All Songs (Todas las canciones) y Now Playing (Reproduciendo ahora). Pulse el botón reproducir/pausa (8) sobre 'BT Control' (Control BT) y, a continuación, seleccione '«Encendido» para activar el Bluetooth.</p> <ul style="list-style-type: none"> <li>• Pulse el botón reproducir/pausar (8) sobre 'Search Device' (Buscar dispositivo) para empezar a buscar dispositivos Bluetooth disponibles. Seleccione el dispositivo deseado y pulse el botón reproducir/pausar (8). A continuación, vuelva a pulsar el botón reproducir/pausar (8) sobre la opción 'pair' (emparejar) para conectar el reproductor con dicho dispositivo Bluetooth. Aparecerá la indicación "BT connected" (BT conectado) cuando el dispositivo esté conectado correctamente.</li> <li>• Ahora use el botón siguiente (7) o anterior (4) para navegar hasta "All Songs" (Todas las canciones) y pulse el botón reproducir/pausar (8) sobre la canción deseada para iniciar la reproducción.</li> </ul> |
| <b>Vídeo</b>            | <p>Seleccione el icono de vídeo (vídeo) en el menú principal y pulse el botón reproducir/pausar (8). Si hay archivos de vídeo disponibles en su tarjeta MicroSD, aparecerán en pantalla. Formatos compatibles: AVI/AMV (resolución máxima de 120 x 160 píxeles). Consulte las instrucciones siguientes para la conversión de vídeo.</p> <ul style="list-style-type: none"> <li>• Seleccione un vídeo de la lista y pulse el botón reproducir/pausar (8) para iniciar la reproducción.</li> <li>• Pulse el botón siguiente (7) o anterior (4) para saltar al vídeo siguiente/anterior.</li> <li>• Mantenga pulsada el botón siguiente (7) o anterior (4) para avanzar/retroceder rápido en el vídeo.</li> <li>• Pulse el botón reproducir/pausar (8) para reproducir/pausar el vídeo.</li> <li>• Pulse el botón [M] (5) para seleccionar 'Repeat' (Repetir), 'Delete video' (Eliminar vídeo), 'Update Playlist' (Actualizar lista) durante la reproducción de vídeo y pulse el botón reproducir/pausar (8) para confirmar.</li> </ul>  |
| <b>Imagen</b>           | <p>Seleccione el icono de <b>Picture</b> (imagen) en el menú principal, pulse el botón reproducir/pausar (8) y aparecerá la lista de las imágenes disponibles.</p> <ul style="list-style-type: none"> <li>• Use el botón siguiente para desplazarse hasta la imagen que desee ver.</li> <li>• Pulse el botón reproducir/pausar (8) para confirmar la reproducción de la imagen.</li> <li>• Cuando la imagen aparezca en la pantalla del reproductor, pulse el botón [M] (5) y aparecerán las opciones 'Slideshow settings' (Ajustes de presentación) y 'Delete picture' (Eliminar imagen). Pulse el botón reproducir/pausar (8) para confirmar los ajustes.</li> <li>• Pulse [↩] para regresar al menú principal.</li> </ul>  |
| <b>Grabadora</b>        | <p>Seleccione el icono de la <b>Recorder</b> (grabadora) y pulse el botón reproducir/pausa (8). Aparecerá una nueva lista con las opciones siguientes: 'Record voice' (Grabar voz), 'Record lib.' (Biblioteca de grabaciones) y 'Set record' (Config. grabación).</p> <ul style="list-style-type: none"> <li>• Seleccione la opción 'Record voice' (Grabar voz) y pulse el botón reproducir/pausar (8). El reproductor mostrará 'Please wait' (Espere por favor) y, a continuación, se iniciará la grabación.</li> <li>• Pulse el botón reproducir/pausar (8) para pausar la grabación.</li> <li>• Pulse [↩] y el reproductor mostrará '¿Save recording?' (¿Guardar grabación?), select 'yes' (si) y pulse</li> </ul>   |

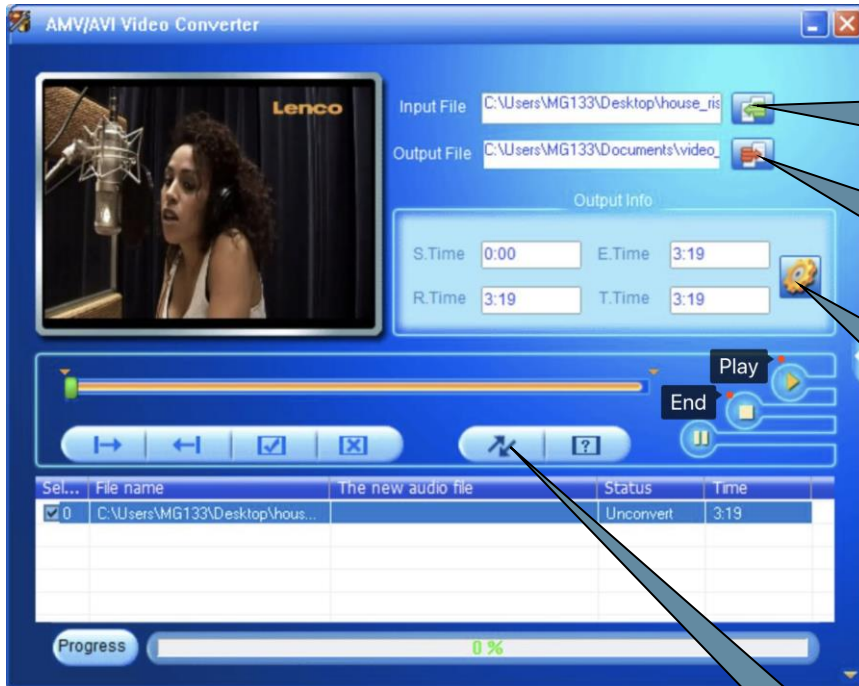
|                                 |   |
|---------------------------------|---|
|                                 | <p>el botón reproducir/pausar (8) para guardarla.</p> <ul style="list-style-type: none"> <li>• Seleccione la opción 'Set record' (Config. grabación) y pulse el botón reproducir/pausar (8) para establecer el parámetro 'Bitrate' (Tasa de bits) usando el botón siguiente para elegir '512kbps/768kbps/1024kbps/1536kbps' para las grabaciones.</li> </ul>  |
| <b>Escuchar las grabaciones</b> | <p>Seleccione el icono de la <b>Recorder</b> (grabadora) en el menú principal y use el botón siguiente para moverse hasta la opción 'Record lib.' (Biblioteca de grabaciones).</p> <ul style="list-style-type: none"> <li>• Pulse el botón reproducir/pausar (8) y el reproductor mostrará la opción 'Delete All' (Eliminar todas) y una lista de los archivos grabados.</li> <li>• Seleccione un archivo grabado y pulse el botón reproducir/pausar (8) para empezar a escuchar el archivo que desee.</li> </ul>   |
| <b>EBook</b>                    | <p>Seleccione el icono del <b>Ebook</b> en el menú principal, pulse el botón reproducir/pausar (8) y aparecerá la lista de los archivos EBook disponibles.</p> <p>Los formatos de EBook compatibles son. Archivos TXT</p> <ul style="list-style-type: none"> <li>• Use el botón siguiente (7) o anterior (4) para moverse hasta el archivo que desee ver y pulse el botón reproducir/pausar (8) para ver el archivo.</li> <li>• Cuando esté el Ebook en pantalla, pulse el botón <b>[M]</b> (5) para ver la siguiente lista de opciones: 'Play setting' (Config. reproducción), 'Delete eBook' (Eliminar EBook), 'Delete bookmark' (Eliminar marcador), 'Add bookmark' (Añadir marcador) y 'Page select' (Selección de página).</li> </ul> <p>Seleccione la opción '<b>Play setting</b>' (Config. reproducción) para establecer el tiempo de la reproducción automática de cada página: desde 2 hasta 30 segundos y, a continuación, pulse el botón reproducir/pausar (8) para confirmar.</p> <ul style="list-style-type: none"> <li>• Cuando el EBook esté en pantalla, pulse el botón central para iniciar la reproducción automática (aparecerá un icono de reproducción en la parte superior de la pantalla).</li> <li>• Pulse <b>[↩]</b> (6) para regresar al menú principal.</li> </ul>   |
| <b>Vista de carpetas</b>        | <p>Seleccione el icono de la <b>Folder</b> (carpeta) en el menú principal y pulse el botón reproducir/pausar. El reproductor mostrará todos los archivos que contiene, incluyendo archivos de música, vídeo, imágenes y EBook.</p> <ul style="list-style-type: none"> <li>• Use el botón siguiente (7) o anterior (4) para moverse hasta cualquier archivo que desee ver y pulse el botón reproducir/pausar (8) para iniciar la reproducción. El funcionamiento básico es similar al descrito anteriormente.</li> <li>• Pulse <b>[↩]</b> (6) para regresar al menú principal.</li> </ul>  |
| <b>Configuración</b>            | <ul style="list-style-type: none"> <li>• Seleccione el icono de <b>Setting</b> (ajustes) en el menú principal, pulse el botón reproducir/pausar (8) y aparecerá la lista siguiente:</li> <li>• <b>Restore device (Restaurar el dispositivo):</b> Restablece la configuración de fábrica. Seleccione 'Yes' (Si) y pulse el botón reproducir/pausar (8) para confirmar la restauración. El reproductor se reiniciará.</li> <li>• <b>Ear protect (Protección auditiva):</b> Activa/desactiva el mensaje de volumen alto cuando el nivel de volumen es superior a 20.</li> <li>• <b>Sleep Timer (Temporizador de suspensión):</b> Cuando esté activado, el reproductor se apagará una vez transcurrido el tiempo seleccionado, independientemente de si está sonando música. Puede seleccionar entre 15 min, 30 min, 60 min, 100 min, o seleccionar "turn off" (desactivar) para inhabilitar esta función.<br/><i><u>Nota: El temporizador de suspensión restablecerá su configuración predeterminada de desactivado, cuando apague y vuelva a encender su Xemio.</u></i></li> <li>• <b>Power saving (Ahorro de energía):</b> Cuando el reproductor esté en espera, se apagará automáticamente cuando transcurra el tiempo configurado. Puede seleccionar Desactivado, 30 s, 1 min, 2 min.</li> <li>• <b>Backlight timer (Temporizador de la luz de fondo):</b> La pantalla se apagará transcurrido el tiempo configurado. Pero el Xemio seguirá activo. Pulse cualquier tecla para reactivar la pantalla. Puede seleccionar 10 s, 20 s, 30 s y Always on (Siempre encendida).</li> <li>• <b>Language (Idioma):</b> Pulse el botón siguiente (7) o anterior (4) para seleccionar el idioma deseado y</li> </ul> |

|                     |   |
|---------------------|---|
|                     | <p>pulse el botón reproducir/pausar (8) para confirmar.</p> <ul style="list-style-type: none"> <li>• <b>Información:</b> Mostrará 'Player info' (Información del reproductor) y 'Disk space' (Espacio del disco).</li> <li>• <b>Format Device (Formatear el dispositivo):</b> Eliminará todos los datos de la tarjeta de memoria. Al pulsar el botón reproducir/pausar (8) aparecerá el mensaje de aviso "All data will be erased". ¿Continue?" (Se eliminarán todos los datos. ¿Desea continuar?). Seleccione "yes" (si) para iniciar la eliminación.</li> <li>• <b>Auto upgrade (Actualización automática):</b> Cuando se distribuye un nuevo firmware, podrá instalarlo en la tarjeta MicroSD. Una vez seleccionado el archivo de firmware, pulse el botón reproducir/pausar (8) para iniciar la actualización.</li> </ul> <p><b><u>Nota:</u></b> <i>Es recomendable consultar con nuestro servicio de soporte técnico antes de actualizar el reproductor, ya que una actualización inadecuada puede averiar el reproductor.</i></p> |
| <b>Herramientas</b> | <p>En la sección de herramientas podrá encontrar la función de cronómetro. Pulse el botón reproducir/pausar (8) para iniciar el cronómetro. Le mostrará 5 temporizadores (vueltas), que podrá seleccionar usando los botones siguiente (7) o anterior (4).</p> <p>Al pulsar el botón reproducir/pausar (8) iniciará/parará el temporizador (vuelta) activo. Pulse el botón [M] (5) para poner a cero todos los temporizadores (vueltas).</p> <ul style="list-style-type: none"> <li>• Pulse [↩] (6) para regresar al menú principal.</li> </ul>   |

## Instalar la herramienta de conversión de vídeo

1. Haga doble clic sobre  amvtransform.exe para ejecutar la herramienta de conversión de vídeo.
2. Convertir los archivos de vídeo.

Siga los pasos indicados a continuación para completar la conversión de vídeo:



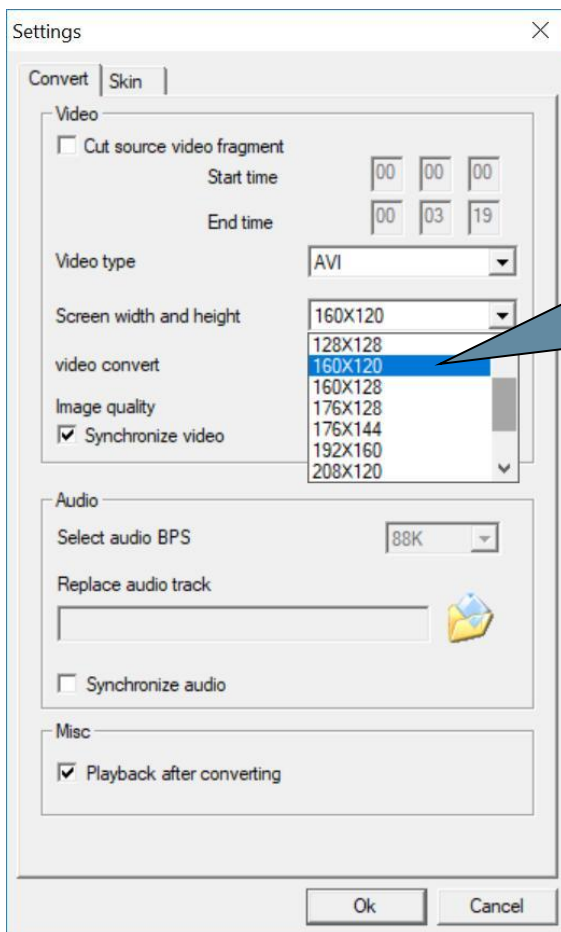
1: Haga clic aquí para introducir los archivos de vídeo originales.

2: Haga clic aquí para introducir la ruta donde guardar los archivos convertidos.

3: Haga clic aquí para ajustar la configuración: (Consulte el paso 4 a continuación)  
Nota: Si esta parte está en gris, haga clic en 'Play' (Reproducir) y luego en 'End' (Fin) para activarla

4: Seleccione '160X120' y haga clic en 'OK' (Aceptar) para regresar al menú de conversión.

5: Haga clic aquí para iniciar la conversión de vídeo.





## Garantía

Lenco ofrece servicio y garantía en cumplimiento con las leyes de la Unión Europea, lo cual implica que, en caso de que su producto precise ser reparado (tanto durante como después del periodo de garantía), deberá contactar directamente con su distribuidor.

Nota importante: No es posible enviar sus reparaciones directamente a Lenco.

Nota importante: Si la unidad es abierta por un centro de servicio no oficial, la garantía quedará anulada.

Este aparato no es adecuado para el uso profesional. En caso de darle un uso profesional, todas las obligaciones de garantía del fabricante quedarán anuladas.

## Exención de responsabilidad

Regularmente se llevan a cabo actualizaciones en el Firmware y en los componentes del hardware. Por esta razón, algunas de las instrucciones, especificaciones e imágenes incluidas en este documento pueden diferir ligeramente respecto a su situación particular. Todos los elementos descritos en esta guía tienen un objetivo de mera ilustración, y pueden no ser de aplicación en su situación particular. No se puede obtener ningún derecho ni derecho legal a partir de la descripción hecha en este manual.

## Eliminación del antiguo dispositivo



Este símbolo indica que no deberá deshacerse del producto eléctrico o batería en cuestión junto con los residuos domésticos, en el ámbito de la UE. Para garantizar un tratamiento residual correcto del producto y su batería, por favor, elimínelos cumpliendo con las leyes locales aplicables sobre requisitos para el desecho de equipos eléctricos y baterías. De hacerlo, ayudará a conservar recursos naturales y mejorar los estándares de protección medioambiental en el tratamiento y eliminación de residuos eléctricos (Directiva sobre la Eliminación de Equipos Eléctricos y Electrónicos).

## Servicio

Para obtener más información y soporte del departamento técnico, por favor, visite la página web [www.lenco.com](http://www.lenco.com)  
Lenco Benelux BV, Thermiekstraat 1a, 6361 HB, Países Bajos.