

Lenco

Model SCD-331



User manual – Portable Radio, CD/MP3 player with USB and Bluetooth

Gebbruikshandleiding – Draagbare radio, MP3-/cd-speler met USB en Bluetooth

Bedienungsanleitung – Tragbares Radio mit CD/MP3-Player, USB und Bluetooth

Manuel d'utilisation – Radio portable, lecteur CD/MP3 avec USB et Bluetooth

Manual de usuario – Radio portátil, reproductor de CD/MP3 con USB y Bluetooth

Index

English	3
Nederlands.....	14
Deutsch.....	25
Français	40
Español.....	52

Version: 3.0

CAUTION:

Usage of controls or adjustments or performance of procedures other than those specified herein may result in hazardous radiation exposure.

PRECAUTIONS BEFORE USE

KEEP THESE INSTRUCTIONS IN MIND:

1. Do not cover or block any ventilation openings. When placing the device on a shelf, leave 5 cm (2") free space around the whole device.
2. Install in accordance with the supplied user manual.
3. Keep the device away from heat sources such as radiators, heaters, stoves, candles and other heat-generating products or naked flame. The device can only be used in moderate climates. Extremely cold or warm environments should be avoided. Working temperature between 0° and 35°C.
4. Avoid using the device near strong magnetic fields.
5. Electrostatic discharge can disturb normal usage of this device. If so, simply reset and restart the device following the instruction manual. During file transmission, please handle with care and operate in a static-free environment.
6. Warning! Never insert an object into the product through the vents or openings. High voltage flows through the product and inserting an object can cause electric shock and/or short circuit internal parts. For the same reason, do not spill water or liquid on the product.
7. Do not use in wet or moist areas such as bathrooms, steamy kitchens or near swimming pools.
8. The device shall not be exposed to dripping or splashing and make sure that no objects filled with liquids, such as vases, are placed on or near the apparatus.
9. Do not use this device when condensation may occur. When the unit is used in a warm wet room with damp, water droplets or condensation may occur inside the unit and the unit may not function properly; let the unit stand in power OFF for 1 or 2 hours before turning on the power: the unit should be dry before getting any power.
10. Although this device is manufactured with the utmost care and checked several times before leaving the factory, it is still possible that problems may occur, as with all electrical appliances. If you notice smoke, an excessive build-up of heat or any other unexpected phenomena, you should disconnect the plug from the main power socket immediately.
11. This device must operate on a power source as specified on the specification label. If you are not sure of the type of power supply used in your home, consult your dealer or local power company.
12. Keep away from animals. Some animals enjoy biting on power cords.
13. To clean the device, use a soft dry cloth. Do not use solvents or petrol based fluids. To remove severe stains, you may use a damp cloth with dilute detergent.
14. The supplier is not responsible for damage or lost data caused by malfunction, misuse, modification of the device or battery replacement.
15. Do not interrupt the connection when the device is formatting or transferring files. Otherwise, data may be corrupted or lost.
16. If the unit has USB playback function, the USB memory stick should be plugged into the unit directly. Don't use an USB extension cable because it can cause interference resulting in failing of data.
17. The rating label has been marked on the bottom or back panel of the device.
18. This device is not intended for use by people (including children) with physical, sensory or mental disabilities, or a lack of experience and knowledge, unless they're under supervision or have received instructions about the correct use of the device by the person who is responsible for their safety.
19. This product is intended for non professional use only and not for commercial or industrial use.
20. Make sure the unit is adjusted to a stable position. Damage caused by using this product in an unstable position vibrations or shocks or by failure to follow any other warning or precaution contained within this user manual will not be covered by warranty.
21. Never remove the casing of this device.
22. Never place this device on other electrical equipment.

23. Do not allow children access to plastic bags.
24. Only use attachments/accessories specified by the manufacturer.
25. Refer all servicing to qualified service personnel. Servicing is required when the device has been damaged in any way, such as the power supply cord or the plug, when liquid has been spilled or objects have fallen into the device, when the device has been exposed to rain or moisture, does not operate normally, or has been dropped.
26. Long exposure to loud sounds from personal music players may lead to temporary or permanent hearing loss.
27. If the product is delivered with power cable or AC power adaptor:
 - If any trouble occur, disconnect the AC power cord and refer servicing to qualified personnel.
 - Don't step on or pinch the power adaptor. Be very careful, particularly near the plugs and the cable's exit point. Do not place heavy items on the power adaptor, which may damage it. Keep the entire device out of children's reach! When playing with the power cable, they can seriously injure themselves.
 - Unplug this device during lightning storms or when unused for a long period.
 - The socket outlet must be installed near the equipment and must be easily accessible.
 - Do not overload ac outlets or extension cords. Overloading can cause fire or electric shock.
 - Devices with class 1 construction should be connected to a main socket outlet with a protective earthed connection.
 - Devices with class 2 construction do not require a earthed connection.
 - Always hold the plug when pulling it out of the main supply socket. Do not pull the power cord. This can cause a short circuit.
 - Do not use a damaged power cord or plug or a loose outlet. Doing so may result in fire or electric shock.
28. If the product contains or is delivered with a remote control containing coin/cell batteries:
Warning:
 - "Do not ingest battery, Chemical Burn Hazard" or equivalent warning.
 - [The remote control supplied with] This product contains a coin/button cell battery. If the battery is swallowed, it can cause severe internal burns in just 2 hours and can lead to death.
 - Keep new and used batteries away from children.
 - If the battery compartment does not close securely, stop using the product and keep it away from children.
 - If you think batteries might have been swallowed or placed inside any part of the body, seek immediate medical attention.
29. Caution about the use of Batteries:
 - Danger of explosion if battery is incorrectly replaced. Replace only with the same or equivalent type.
 - Battery cannot be subjected to high or low extreme temperatures, low air pressure at high altitude during use, storage or transportation.
 - Replacement of a battery with an incorrect type that can result in an explosion or the leakage of flammable liquid or gas.
 - Disposal of a battery into fire or a hot oven, or mechanically crushing or cutting of a battery, that can result in an explosion.
 - Leaving a battery in an extremely high temperature surrounding environment that can result in an explosion or that leakage of flammable liquid or gas.
 - A battery subjected to extremely low air pressure that may result in an explosion or the leakage of flammable liquid or gas.
 - Attention should be drawn to the environmental aspects of battery disposal.

INSTALLATION

- Unpack all parts and remove protective material.
- Do not connect the unit to the mains before checking the mains voltage and before all other connections have been made.

TO PREVENT FIRE OR SHOCK HAZARD DO NOT EXPOSE THIS APPLIANCE TO RAIN OR MOISTURE.



The exclamation point within an equilateral triangle is intended to alert the user to the presence of important operating and maintenance (servicing) instructions in the literature accompanying the appliance.

The lightning with arrowhead symbol, within an equilateral triangle, is intended to alert the user to the presence of uninsulated “dangerous voltage” within the product’s enclosure that may be of magnitude to constitute a risk of electric shock to persons.

This symbol indicates that this product incorporates double insulation between hazardous mains voltage and user accessible parts.

CLASS 1 LASER PRODUCT LABEL

This label is attached to the place as illustrated to inform that the apparatus contains a laser component

CLASS 1 LASER PRODUCT


KLASS 1 LASER APPARAT

LUOKEN 1 LAISERLAITE

KLASSE 1 LASER PRODUKT

WARNING

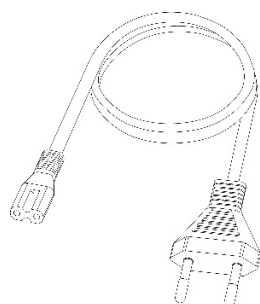
Class 1 Laser Product

CLASS 1 LASER PRODUCT APPAREIL À LASER DE CLASSE 1 PRODUCTO LASER DE CLASE 1	CAUTION INVISIBLE LASER RADIATION WHEN OPEN AND INTERLOCKS DEFEATED. AVOID EXPOSURE TO BEAM	
This product contains a low power laser device.		

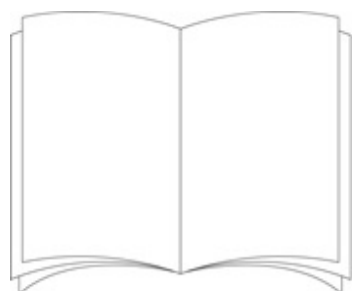
Warning : Do not touch the lens.

ACCESSORIES

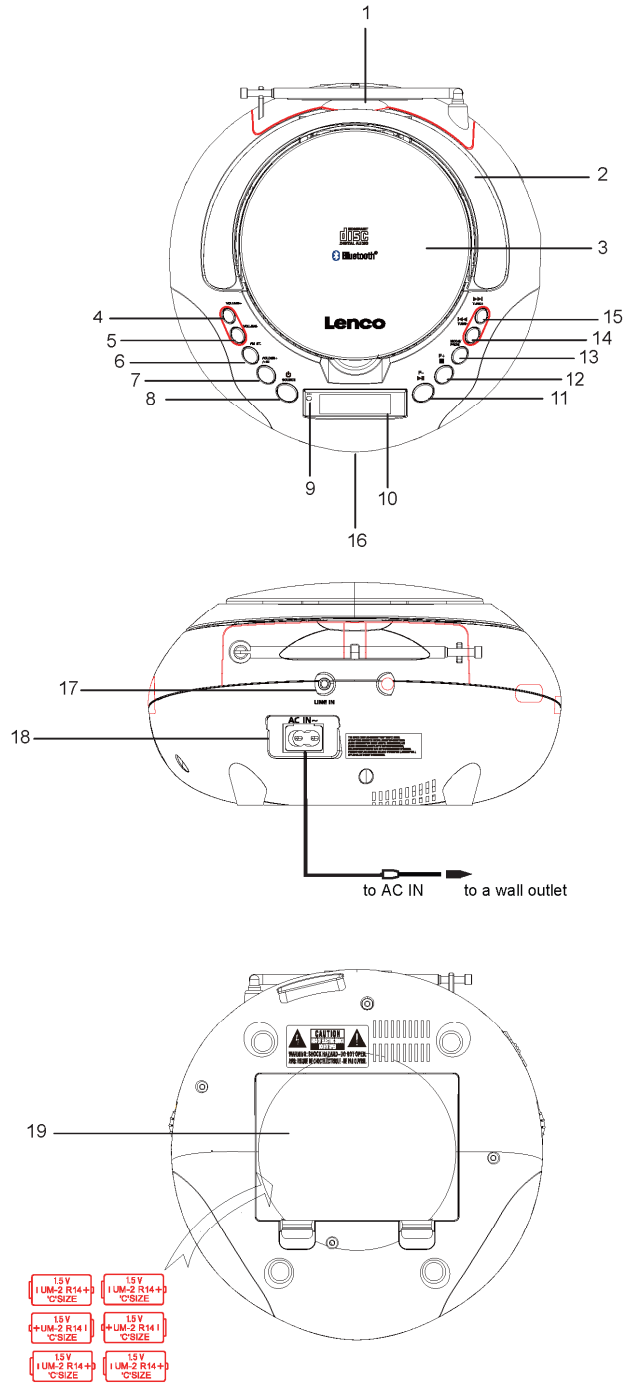
Power cord x 1



Instruction manual x 1



LOCATION OF CONTROLS



1. Antenna
2. Handle
3. CD Door
4. Volume +
5. Volume -
6. FM ST.
7. Folder+/10+
8. Source/Power On/Off
9. Standby Indicator
10. LCD Display
11. Play/Pause/P-
12. Stop/Bluetooth Pair/P+
13. Mode/Prog
14. Skip-/Tune-
15. Skip+/Tune+
16. USB Port
17. Line in (AUX) 3.5mm jack
18. AC Jack for connecting the included power cable.
19. Battery Door

POWER SUPPLY

1. To power the device, plug the AC power cord into the AC power input on the rear of the unit and a standard power outlet
2. For battery power, this unit requires 6 x C size batteries (Not included).
3. To the standby mode(*LED indicator On) once collecting power

SELECTING A SOURCE

Press the “**POWER**” button to turn the device

Press the “**SOURCE**” button to choose different mode

- CD
- USB
- Bluetooth
- FM
- AUX

VOLUME

Press the “**VOLUME +/-**” button to adjust the volume level.

ANTENNA

Use Antenna to improve the radio signal reception.

1. Fully extract the antenna
2. Adjust the position of the antenna for the best reception

CD OR MP3/CD

1. Select the CD mode.
2. Put CD or MP3/CD into the CD door insides
3. Auto CD or MP3/CD reading & playing from first track
4. Press the “**PLAY/PAUSE**” button to do playback or pause playback temporarily
5. Press the “**SKIP+/-**” button to skip the next or previous tracks
6. Press and Hold the “**SKIP+/-**” button search the point of sound quickly
7. Press the “**STOP**” button to stop the playback

CD Notes:

- a. Dirty or scratched CD’S may cause a skipping problem. Clean or replace the CD.
- b. If an error display or malfunction occurs, disconnect the AC cord and remove all the batteries. Then turn the power back on.

USB PLAYBACK

1. Select the USB mode.
2. Connect USB drive into the USB port
3. Auto USB reading & playing from first track/folder
4. Press the “**PLAY/PAUSE**” button to do playback or pause playback temporarily
5. Press the “**SKIP+/-**” button to skip the next or previous tracks
6. Press and Hold the “**SKIP+/-**” button search the point of sound quickly
7. Press the “**STOP**” button to stop the playback

MODE

Multi press “**MODE**” Button to choose the different function in CD or USB mode as follows:

1. Repeat One
2. Repeat Folder (MP3)
3. Repeat All
4. Random
5. Normal Playback

FOLDER

Press the “**FOLDER**” Button to change the different folder.

Press the “**10+**” Button to change the tracks.

PROGRAMMED (CD OR MP3 MODE) PLAY

CD = max 20 tracks

MP3 = max 99 tracks

1. Press “**PROG**” button (Sure to press “**STOP**” button before)
2. P01 will appear blinking in the display, press “**P+/-**” to select the track Press “**PROG**” button again to save the selected track
3. Press “**PLAY/PAUSE**” button to play the programmed track list “**PROG**” indicator on
4. Press “**STOP**” button twice to cancel the programmed track list

*Repeat One and Repeat All is available for programmed track list

BLUETOOTH

1. Select the Bluetooth mode.
2. Turn on the Bluetooth function of your Bluetooth device and enable the search “Lenco SCD-331” from the pairing list (*Bluetooth flashing on display)
3. Pair the unit with your device. If you are asked for a password, enter “0000”.
4. When connected successfully, a short melody will sound and the flashing ‘bt’ on the display will stay on.
5. Press the “**PLAY/PAUSE**” button to do playback or pause playback temporarily
6. Press the “**SKIP+/-**” button to skip the next or previous tracks
7. Press and Hold “**STOP**” button to cancel the collection

FM RADIO

1. Select the FM Radio mode.
 2. Press the “**TUNE +/-**” button to select the desired station.
- *FM Stereo indicator on = Stereo broadcast program is received

If the stereo reception of your favorite station is not ok you can press the FM ST (6) button to manually switch between Stereo (ST) or Mono (NO) music play. In Mono mode the reception can be improved for that channel.

AUTO PRESET

1. Press and Hold the “**PLAY/PAUSE**” button to do full “Auto Scan”. Channels with good reception will be stored as preset.
2. Press the “**PRESET**” or “**SKIP+/-**” button to choose the preset station

MANUAL PRESET

1. Press the “**TUNE +/-**” button to select the desired station.
2. Press the “**PROG**” button to be manual preset mode
3. Press the “**P +/-**” button to select the desired station
4. Press the “**PROG**” button to confirm
5. Press the “**P +/-**” button to choose the preset station

AUX

1. Select the Aux mode.
2. Use a 3.5mm Jack cable(not included) to connect an external audio player to the Line in port on the back of the SCD-331
3. Change the volume level on this device and External Music Device separately

ENERGY SAVING

To comply with the energy saving requirement this device will automatically switch to standby mode when no music has been playing for 10 minutes.

TECHINCAL SPECIFICATIONS

Power supply:

AC 230 ~ 50Hz

DC 9V 6 x 1.5V "C" TYPE BATTERIES

Frequency range:

FM 88-108 MHz

Power consumption: 13W

Audio power output: 2 x 1W

Dimensions (W x D x H): 217 x 220 x 118mm

Weight: 1 kg

Guarantee

Lenco offers service and warranty in accordance to European law, which means that in case of repairs (both during and after the warranty period) you should contact your local dealer.

Important note: It is not possible to send products that need repairs to Lenco directly.

Important note: If this unit is opened or accessed by a non-official service center in any way, the warranty expires.

This device is not suitable for professional use. In case of professional use, all warranty obligations of the manufacturer will be voided.

Disclaimer

Updates to Firmware and/or hardware components are made regularly. Therefore some of the instruction, specifications and pictures in this documentation may differ slightly from your particular situation. All items described in this guide for illustration purposes only and may not apply to particular situation. No legal right or entitlements may be obtained from the description made in this manual.

Disposal of the Old Device



This symbol indicates that the relevant electrical product or battery should not be disposed of as general household waste in Europe. To ensure the correct waste treatment of the product and battery, please dispose them in accordance to any applicable local laws of requirement for disposal of electrical equipment or batteries. In so doing, you will help to conserve natural resources and improve standards of environmental protection in treatment and disposal of electrical waste (Waste Electrical and Electronic Equipment Directive).

CE Marking

Hereby, Lenco Benelux B.V., Thermiekstraat 1a, 6361 HB Nuth, The Netherlands, declares that this product is in compliance with the essential EU directive requirements.

The declaration of conformity may be consulted via techdoc@commaxxgroup.com



Service

For more information and helpdesk support, please visit www.lenco.com

Lenco Benelux BV, Thermiekstraat 1a, 6361 HB, The Netherlands.

LET OP:

Het gebruik van afstandsbedieningen of aanpassingen of de uitvoering van procedures die niet in dit document zijn gespecificeerd, kan leiden tot gevaarlijke blootstelling aan straling.

VOORZORGSMAATREGELEN VOOR GEBRUIK

ONTHOUD DE VOLGENDE INSTRUCTIES:

1. Bedek of blokkeer de ventilatieopeningen niet. Wanneer u het apparaat op een schap plaatst, dient u 5 cm (2") vrije ruimte rondom het gehele apparaat te behouden.
2. Installeer het product volgens de meegeleverde gebruikershandleiding.
3. Houd het apparaat uit de buurt van hittebronnen, zoals radiatoren, verwarmingen, kachels, kaarsen en andere hittegenererende producten of open vuur. Het apparaat kan alleen worden gebruikt in een gematigd klimaat. Extreem koude of warme omgevingen dienen te worden vermeden. Het bedrijfstemperatuurbereik ligt tussen 0 °C en 35 °C.
4. Gebruik dit apparaat niet in de buurt van krachtige magnetische velden.
5. Elektrostatische ontlading kan normaal gebruik van dit apparaat verstoren. U hoeft het apparaat in dit geval slechts te resetten en opnieuw op te starten volgens de gebruikershandleiding. Wees voorzichtig tijdens bestandsoverdracht en gebruik het product in een omgeving zonder statische interferentie.
6. Waarschuwing! Steek nooit een voorwerp via de ventilatie- of andere openingen in het product. Er is hoogspanning in het product aanwezig en als u er een object insteekt, kan dat een elektrische schok veroorzaken en/of kortsluiting in de interne onderdelen. Mors om dezelfde reden geen water of vloeistof op het product.
7. Gebruik het toestel niet in vochtige ruimtes, zoals badkamers, stomende keukens of in de buurt van zwembaden.
8. Het apparaat mag niet worden blootgesteld aan druppels en spetters en zorg ervoor dat er geen met vloeistof gevulde voorwerpen, zoals vazen, op of in de buurt van het apparaat worden geplaatst.
9. Gebruik dit apparaat niet wanneer condensatie kan optreden. Wanneer het apparaat in een warme, natte ruimte wordt gebruikt, kunnen zich waterdruppels of condens vormen in het apparaat en kan het apparaat niet goed functioneren. Laat het apparaat 1 of 2 uur uit staan voordat u het inschakelt: het apparaat dient droog te zijn voordat deze stroom ontvangt.
10. Alhoewel dit apparaat met grote zorg gefabriceerd en verschillende keren geïnspecteerd is voordat het de fabriek verlaat, is het nog steeds mogelijk dat er problemen optreden, zoals met alle elektrische apparaten. Als u rook, een overmatige hitteontwikkeling of enig ander onverwacht verschijnsel opmerkt, moet u onmiddellijk de stekker van het netsnoer uit het stopcontact halen.
11. Dit apparaat moet worden gebruikt met een voedingsbron zoals gespecificeerd op het specificatielabel. Als u twijfelt over het type voeding dat gebruikt wordt in uw huis, raadpleeg dan uw dealer of plaatselijk energiebedrijf.
12. Buiten bereik van dieren houden. Sommige dieren kauwen graag op voedingskabels.
13. Gebruik een zacht, droog doekje om het apparaat te reinigen. Gebruik geen oplosmiddelen of op benzine gebaseerde vloeistoffen. U kunt een vochtig doekje met verdund schoonmaakmiddel gebruiken om hardnekkige vlekken te verwijderen.
14. De leverancier is niet verantwoordelijk voor schade of verloren gegevens veroorzaakt door storing, misbruik, modificatie van het apparaat of batterijvervanging.
15. Onderbreek nooit de verbinding wanneer het apparaat formateert of bestanden overdraagt. De gegevens kunnen anders corrupt of verloren raken.
16. Indien het apparaat een USB-afspeelfunctie heeft, moet de USB-geheugenstick rechtstreeks op het apparaat worden aangesloten. Gebruik geen USB-verlengkabel, omdat die kan leiden tot storingen met foutieve gegevens als gevolg.
17. Het classificatielabel bevindt zich op de onderkant of het achterpaneel van het apparaat.
18. Dit hulpmiddel is niet bedoeld voor gebruik door mensen (inclusief kinderen) met een fysieke, zintuiglijke of mentale handicap, of een gebrek aan ervaring en kennis, tenzij zij toezicht of instructies hebben gekregen over het juiste gebruik van het hulpmiddel door een persoon die verantwoordelijk is voor hun veiligheid.
19. Dit product is alleen voor niet-professioneel gebruik bedoeld en niet voor commercieel of industrieel gebruik.

20. Verzeker u ervan dat het apparaat in een stabiele positie staat opgesteld. Schade die wordt veroorzaakt door het gebruik van dit product in een onstabiele positie, trillingen of schokken of het niet opvolgen van de waarschuwingen of voorzorgsmaatregelen in deze gebruikershandleiding wordt niet gedekt door de garantie.
21. Verwijder nooit de behuizing van dit apparaat.
22. Plaats dit apparaat nooit op andere elektrische apparatuur.
23. Geef kinderen geen gelegenheid in aanraking met plastic zakken te komen.
24. Gebruik uitsluitend uitbreidingen/accessoires gespecificeerd door de fabrikant.
25. Laat alle reparaties over aan gekwalificeerd onderhoudspersoneel. Onderhoud is nodig als het apparaat is beschadigd, bijvoorbeeld als de voedingskabel of de stekker is beschadigd, als er vloeistof op het apparaat is gemorst, als er voorwerpen in het apparaat zijn gevallen, als het apparaat is blootgesteld aan regen of vocht, als het apparaat niet normaal werkt of als het is gevallen.
26. Langdurige blootstelling aan harde geluiden van persoonlijke muzikspelers kan leiden tot tijdelijk of permanent gehoorverlies.
27. Als het product wordt geleverd met voedingskabel of wisselstroomvoedingsadapter:
 - Als er zich problemen voordoen, moet u de voedingskabel loskoppelen en het ter onderhoud aanbieden aan gekwalificeerd personeel.
 - Nooit op de voedingsadapter stappen of deze indrukken. Wees zeer voorzichtig, vooral in het gebied rond de stekkers en de kabelansluitingen. Plaats geen zware voorwerpen op de voedingsadapter, om beschadiging ervan te voorkomen. Houd het gehele apparaat buiten bereik van kinderen! Wanneer kinderen met de voedingskabel spelen, kunnen zij ernstig letsel oplopen.
 - Haal de stekker uit het stopcontact tijdens onweer of wanneer u deze langere tijd niet gebruikt.
 - Het stopcontact moet in de buurt van de apparatuur zijn geïnstalleerd en eenvoudig te bereiken zijn.
 - Laat AC-stopcontacten of verlengsnoeren nooit overbelast raken. Overbelasting kan brand of een elektrische schok veroorzaken.
 - Apparaten met een Klasse 1 structuur dienen te worden aangesloten op een stopcontact met een beschermende aardverbinding.
 - Apparaten met een Klasse 2 structuur vereisen geen aardverbinding.
 - Houd altijd de stekker vast wanneer u deze uit het stopcontact trekt. Trek nooit aan de voedingskabel. Dit kan tot een kortsluiting leiden.
 - Gebruik nooit een beschadigde voedingskabel of stekker of een los stopcontact. Dit vormt namelijk een risico op brand of elektrische schokken.
28. Indien het product knoopcelbatterijen bevat of wordt geleverd met een afstandsbediening die knoopcelbatterijen bevat:

Waarschuwing:

 - "Batterij niet inslikken, chemisch brandgevaar" of gelijkwaardige werking.
 - De meegeleverde afstandsbediening bevat een knoopcelbatterij. Als de batterij wordt ingeslikt, kan deze in slechts 2 uur ernstige interne brandwonden veroorzaken en tot de dood leiden.
 - Houd nieuwe en gebruikte batterijen buiten bereik van kinderen.
 - Als de batterijhouder niet goed kan worden gesloten, dient u het product niet meer te gebruiken en buiten bereik van kinderen te houden.
 - Als u denkt dat batterijen zijn ingeslikt of binnenin een willekeurig lichaamsdeel terecht zijn gekomen, dient u onmiddellijk medische hulp te zoeken.
29. Waarschuwing m.b.t. het gebruik van batterijen:
 - Als de batterij onjuist wordt geplaatst, bestaat er explosiegevaar. Vervang de batterij alleen door een zelfde of vergelijkbare soort batterij.
 - Stel de batterij niet bloot aan extreem hoge of lage temperaturen of een lage luchtdruk op grote hoogte tijdens gebruik, opslag of transport.
 - Vervanging van een batterij door een incorrect type kan leiden tot een ontploffing of de lekkage van ontvlambare vloeistoffen of gas.
 - Het weggooien van een batterij in het vuur of een hete oven, of het mechanisch verpletteren of insnijden van een batterij, kan leiden tot een explosie.
 - Het achterlaten van een batterij in een omgeving met extreem hoge temperaturen kan leiden tot een explosie of het lekken van brandbare vloeistof of gas.

- Een batterij die aan een extreem lage luchtdruk wordt blootgesteld, kan leiden tot een explosie of het lekken van brandbare vloeistof of gas.
- Aandacht voor het milieu is nodig bij het verwijderen van de batterijen.

INSTALLATIE

- Pak alle onderdelen uit en verwijder de beschermende materialen.
- Sluit het apparaat niet aan op het stopcontact, voordat u de netspanning hebt gecontroleerd en voordat alle andere aansluitingen zijn gemaakt.

STEL DIT APPARAAT NOOIT BLOOT AAN REGEN OF VOCHT OM HET RISICO OP BRAND OF ELEKTRISCHE SCHOKKEN TE VOORKOMEN.



EN	NL
TO PREVENT FIRE OR SHOCK HAZARD DO NOT EXPOSE THIS APPLIANCE TO RAIN OR MOISTURE	STEL DIT APPARAAT NOOIT BLOOT AAN REGEN OF VOCHT OM HET RISICO OP BRAND OF ELEKTRISCHE SCHOKKEN TE VOORKOMEN.
CAUTION	LET OP
RISK OF ELECTRIC SHOCK	RISICO OP ELEKTRISCHE SCHOKKEN
DO NOT OPEN	OPEN HET APPARAAT NIET
WARNING: SHOCK HAZARD-DO NOT OPEN.	WAARSCHUWING: RISICO OP SCHOKKEN-NIET OPENEN.

Het uitroepteken binnenin een gelijkzijdige driehoek is bestemd de gebruiker te wijzen op de aanwezigheid van belangrijke gebruik- en onderhoudsinstructies in de documentatie meegeleverd met het apparaat.

Het bliksemschichtsymbool binnenin een gelijkzijdige driehoek is bestemd de gebruiker te wijzen op de aanwezigheid van ongeïsoleerde “gevaarlijke spanning” binnenin de productbehuizing die krachtig genoeg kan zijn om voor personen een risico te vormen op elektrische schokken.

Dit symbool geeft aan dat dit product voorzien is van dubbele isolatie tussen gevaarlijke netspanning en onderdelen toegankelijk voor de gebruiker.

LABEL KLASSE 1 LASERPRODUCT

Dit label is aangebracht op de afgebeelde plek om u te informeren dat het product een laseronderdeel bevat

CLASS 1 LASER PRODUCT


KLASS 1 LASER APPARAT

LUOKEN 1 LAISERLAITE

KLASSE 1 LASER PRODUKT

WAARSCHUWING

Klasse 1 Laserproduct

KLASSE 1 LASERPRODUCT APPAREIL À LASER DE CLASSE 1 PRODUCTO LASER DE CLASE 1	LET OP ONZICHTBARE LASERSTRALING ALS HET APPARAAT WORDT GEOPEND EN VERGREDELINGEN ONKLAAR WORDEN GEMAAKT. VERMIJD BLOOTSTELLING AAN DE BUNDEL	
--	--	---

Dit product bevat een laser met laag vermogen.

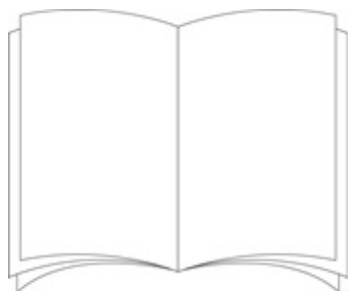
Waarschuwing: Raak de lens niet aan.

ACCESSOIRES

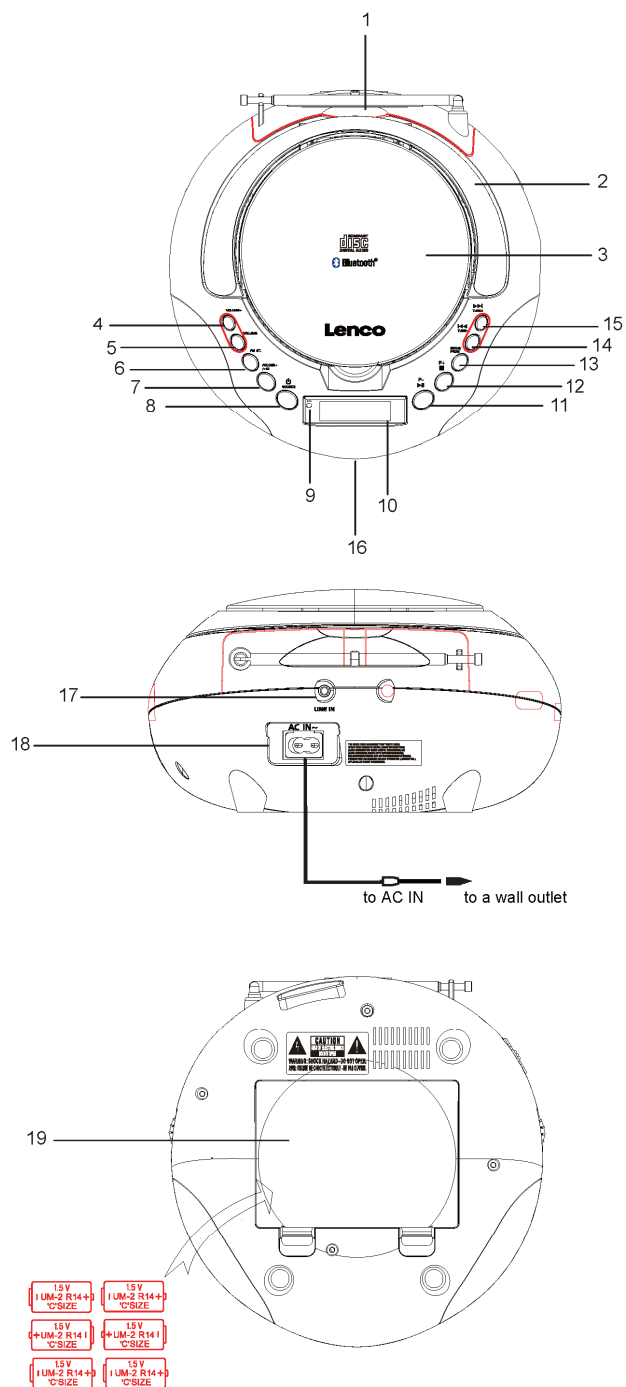
Voedingskabel x 1



Gebruikshandleiding x 1



PLAATS VAN DE BEDIENINGSORGANEN



EN	NL
to AC IN	naar AC IN
to a wall outlet	naar een stopcontact

1. Antenne
2. Handvat
3. Klepje Voor CD
4. Volume +
5. Volume -
6. FM ST.
7. Folder+/10+
8. Bron/Aan/Uit
9. Standby-indicator
10. LCD-scherm
11. Start/Pauze/P-
12. Stop/Bluetooth koppelen/P+
13. Modus/Prog
14. Vorige-/Afstemmen-
15. Volgende+/Afstemmen+
16. USB-poort
17. 3,5 mm lijningang (AUX)
18. AC-ingang voor aansluiting van de meegeleverde voedingskabel.
19. Batterijdekseltje

STROOMVOORZIENING

1. Om het apparaat van stroom te voorzien, steekt u de AC-voedingskabel in de AC-voedingsingang op de achterzijde van het apparaat en in een standaard stopcontact.
2. Om het apparaat op batterijvoeding te laten werken, hebt u 6 x type C batterijen nodig (niet inbegrepen).
3. Het apparaat schakelt op de stand-by-modus (*LED-indicator brandt) zodra deze stroom krijgt

EEN BRON SELECTEREN

Druk op de toets “**AAN/UIT**” om het apparaat in te schakelen

Druk op de toets “**SOURCE**” om van modus te wisselen

- CD
- USB
- Bluetooth
- FM
- AUX

VOLUME

Druk op de knoppen “**VOLUME+/-**” om het volume aan te passen.

ANTENNE

Gebruik de antenne om de ontvangst van het radiosignaal te verbeteren.

1. Trek de antenne volledig uit
2. Pas de positie van de antenne aan voor een optimale ontvangst

CD OF MP3-CD

1. Selecteer de CD-modus.
2. Plaats een cd of MP3-cd in de cd-houder
3. De cd of MP3-cd wordt ingelezen en het afspelen wordt automatisch gestart vanaf de eerste track
4. Druk op de toets “**PLAY/PAUSE**” om het afspelen te starten of tijdelijk te pauzeren
5. Druk op de toets “**SKIP+/-**” om de volgende of vorige track te selecteren
6. Houd de toets “**SKIP+/-**” ingedrukt om vooruit of terug te spoelen
7. Druk op de toets “**STOP**” om het afspelen te stoppen

Opmerkingen m.b.t. cd's:

- a. Vuile of bekraste cd's kunnen overslaan tijdens het afspelen. Reinig of vervang de cd.
- b. Als er een fout wordt weergegeven of er treedt een storing op, koppel dan de AC-voedingskabel los en verwijder alle batterijen. Schakel het apparaat vervolgens weer in.

USB AFspeLEN

1. Selecteer de USB-modus.
2. Steek een USB-drive in de USB-poort
3. De USB wordt ingelezen en het afspelen wordt automatisch gestart vanaf de eerste track/folder
4. Druk op de toets "**PLAY/PAUSE**" om het afspelen te starten of tijdelijk te pauzeren
5. Druk op de toets "**SKIP+/-**" om de volgende of vorige track te selecteren
6. Houd de toets "**SKIP+/-**" ingedrukt om vooruit of terug te spoelen
7. Druk op de toets "**STOP**" om het afspelen te stoppen

MODE

Druk meerdere keren op de toets "**MODE**" om als volgt de verschillende functies te selecteren in CD- of USB-modus:

1. Herhaal één
2. Herhaal folder (MP3)
3. Herhaal alle
4. Random
5. Normale afspeelmodus

FOLDER

Druk op de toets "FOLDER" om van folder te wisselen.

Druk op de knop "10+" om de nummers te wijzigen.

GEPROGRAMMEERDE AFSPEELMODUS (CD- OF MP3-MODUS)

Cd = max. 20 tracks

MP3 = max. 99 tracks

1. Druk op de toets "**PROG**" (zorg ervoor eerst op de toets "**STOP**" te drukken)
2. P01 zal op de display knipperen en u kunt nu op "**P+/-**" drukken om een track te selecteren en nogmaals op de toets "**PROG**" drukken om de geselecteerde track op te slaan
3. Druk op de toets "**PLAY/PAUSE**" om de lijst met geprogrammeerde tracks af te spelen, de "**PROG**"-indicator zal branden
4. Druk tweemaal op de toets "**STOP**" om de lijst met geprogrammeerde tracks te annuleren

*Eén herhalen en alles herhalen is beschikbaar voor de geprogrammeerde lijst met nummers.

BLUETOOTH

1. Selecteer de Bluetooth-modus.
2. Schakel de Bluetooth-functie in op uw Bluetooth-apparaat en zoek naar "Lenco SCD-331" in de koppelingslijst (*"bt" knippert op de display)
3. Koppel dit apparaat met uw apparaat. Voer "0000" in als u om een wachtwoord wordt gevraagd.
4. Wanneer de koppeling is geslaagd, dan zal er een korte melodie klinken terwijl 'bt' op de display stopt met knipperen en constant blijft branden.
5. Druk op de toets "**PLAY/PAUSE**" om het afspelen te starten of tijdelijk te pauzeren
6. Druk op de toets "**VSKIP+/-**" om de volgende of vorige track te selecteren
7. Houd de toets "**STOP**" ingedrukt om de verbinding te verbreken

FM-radio

1. Selecteer de FM-radiomodus.
2. Druk op de toets "**TUNE +/-**" om het gewenste station te selecteren.

*FM stereo-indicator brandt = Uitzending wordt in stereo ontvangen

Als de stereo ontvangst van uw favoriete station niet in orde is, dan kunt u op de toets FM ST (6) drukken om handmatig te wisselen tussen Stereo (ST) en Mono (NO) muziekweergave. De ontvangst kan in de modus Mono voor dat kanaal worden verbeterd.

VOORKEURSTATIONS AUTOMATISCH OPSLAAN

1. Houd de toets "**SPLAY/PAUSE**" ingedrukt om een volledige "automatische scan" uit te voeren. Kanalen met een goede ontvangst zullen als voorkeurstations worden opgeslagen.
2. Druk op de toets "**PRESET**" of "**SKIP+/-**" om een voorkeurstation te selecteren

VOORKEURSTATIONS HANDMATIG OPSLAAN

1. Druk op de toets "**TUNE +/-**" om het gewenste station te selecteren
2. Druk op de toets "**PROG**" om de handmatige voorkeurmodus te openen
3. Druk op de toets "**P +/-**" om het gewenste station te selecteren
4. Druk ter bevestiging op de toets "**PROG**"
5. Druk op de toets "**P +/-**" om het voorkeurstation te selecteren

AUX

1. Selecteer de Aux-modus.
2. Gebruik een 3,5 mm kabel (niet inbegrepen) om een externe audiospeler aan te sluiten op de Lijningang op de achterzijde van de SCD-331.
3. Verander het volumenniveau op dit apparaat en op het externe muziekapparaat afzonderlijk.

ENERGIEBESPARING

Om te voldoen aan de vereisten inzake energiebesparing, zal dit apparaat automatisch op de stand-by-modus schakelen wanneer er 10 minuten lang geen muziek wordt afgespeeld.

TECHNISCHE SPECIFICATIES

Stroomvoorziening:

AC 230 50 Hz

DC 9 V 6 x 1,5 V TYPE "C" BATTERIJEN

Frequentiebereik:

FM 88-108 MHz

Opgenomen vermogen: 13 W

Audio-uitgangsvermogen: 2 x 1 W

Afmetingen (B x D x H): 217 x 220 x 118 mm

Gewicht: 1 kg

Garantie

Lenco biedt service en garantie aan overeenkomstig met de Europese wetgeving. Dit houdt in dat u, in het geval van reparaties (zowel tijdens als na de garantieperiode), uw lokale handelaar moet contacteren.

Belangrijke opmerking: Het is niet mogelijk om producten die moeten worden gerepareerd rechtstreeks naar Lenco te sturen.

Belangrijke opmerking: De garantie verloopt als een onofficieel servicecenter het apparaat op wat voor manier dan ook heeft geopend, of er toegang toe heeft gekregen.

Het apparaat is niet geschikt voor professioneel gebruik. In het geval van professioneel gebruik worden alle garantieverplichtingen van de fabrikant nietig verklaard.

Disclaimer

Er worden regelmatig updates in de firmware en/of hardwarecomponenten gemaakt. Daardoor kunnen gedeelten van de instructie, de specificaties en afbeeldingen in deze documentatie enigszins verschillen van uw eigen situatie. Alle onderwerpen die staan beschreven in deze handleiding zijn bedoeld als illustratie en zijn niet van toepassing op specifieke situaties. Aan de beschrijving in dit document kunnen geen rechten worden ontleend.

Afvoer van het oude apparaat



Dit symbool geeft aan dat het betreffende elektrische product of de accu/batterij niet mag worden verwijderd als algemeen huishoudelijk afval in Europa. Zorg voor een juiste afvalverwerking door het product en de accu/batterij in overeenstemming met alle van toepassing zijnde lokale wetten voor het verwijderen van elektrische apparatuur of accu's/batterijen te verwijderen. Als u dit doet, helpt u de natuurlijke hulpbronnen te behouden en de standaard van milieubescherming te verbeteren bij de behandeling en verwijdering van elektrisch afval (Afgedankte Elektrische en Elektronische Apparatuur).

CE-markering

Lenco Benelux B.V., Thermiekstraat 1a, 6361 HB Nuth, Nederland, verklaart hierbij dat dit product voldoet aan de vereisten van de essentiële EU-richtlijnen.

De verklaring van conformiteit kan worden aangevraagd via techdoc@commaxxgroup.com



Service

Bezoek voor meer informatie en helpdeskondersteuning www.lenco.com

Lenco Benelux BV, Thermiekstraat 1a, 6361 HB, Nederland.

ACHTUNG:

Eine andere als die hier beschriebene Bedienung, Einstellung oder Verwendung der Funktionen kann zu gefährlicher Strahlenbelastung führen.

VORSICHTSMASSNAHMEN VOR DER BENUTZUNG

BEFOLGEN SIE IMMER FOLGENDE ANWEISUNGEN:

1. Blockieren oder bedecken Sie keine Lüftungsöffnungen. Wenn Sie das Gerät auf ein Regal stellen, lassen Sie um das gesamte Gerät 5 cm (2") freien Platz.
2. Stellen Sie das Gerät entsprechend den Anweisungen der mitgelieferten Bedienungsanleitung auf.
3. Halten Sie das Gerät von Hitzequellen wie Radiatoren, Heizern, Öfen, Kerzen oder anderen hitzeerzeugenden Produkten oder offenen Flammen fern. Das Gerät darf nur bei gemäßigtem Klima verwendet werden. Sehr kalte oder heiße Umgebungen sind zu vermeiden. Der Betriebstemperaturbereich liegt zwischen 0 °C und 35 °C.
4. Meiden Sie bei der Nutzung des Produkts die Nähe starker Magnetfelder.
5. Elektrostatische Entladungen können die normale Verwendung von diesem Gerät stören. Sollte dies geschehen, führen Sie einfach einen Reset aus und starten Sie dann das Gerät entsprechend den Anweisungen dieser Bedienungsanleitung neu. Gehen Sie besonders bei Datenübertragungen mit dem Gerät vorsichtig um und führen Sie diese nur in einer antielektrischen Umgebung aus.
6. Warnung! Niemals Gegenstände durch die Lüftungsschlitze oder Öffnungen in das Gerät stecken. In diesem Gerät fließt Hochspannung und das Hineinstecken von Gegenständen kann zu elektrischem Schock und/oder Kurzschluss interner elektrischer Bauteile führen. Aus dem gleichen Grund kein Wasser oder Flüssigkeiten in das Gerät geben.
7. Benutzen Sie das Gerät nicht in nasser oder feuchter Umgebung wie Bad, Dampfküche oder in der Nähe von Schwimmbecken.
8. Das Gerät darf weder Tropf- noch Spritzwasser ausgesetzt werden und es dürfen keine mit Flüssigkeit gefüllten Behälter wie z.B. Vasen auf das Gerät oder in der Nähe des Gerätes gestellt werden.
9. Benutzen Sie das Gerät nicht bei Kondensationsgefahr. Wenn Sie das Gerät in einem warmen feuchten Raum benutzen, dann können sich im Inneren des Geräts Wassertropfen oder Kondensationen bilden und zu Fehlfunktionen des Geräts führen. Schalten Sie in diesem Fall das Gerät für 1 – 2 Stunden aus, bevor Sie es erneut einschalten: Das Gerät sollte vollständig getrocknet sein, wenn Sie es wieder einschalten.
10. Obwohl dieses Gerät unter größter Sorgfalt und vor Auslieferung mehrmals überprüft wurde, können trotzdem wie bei jedem anderen elektrischen Gerät auch Probleme auftauchen. Trennen Sie das Gerät im Falle einer Rauchentwicklung, starker Hitzeentwicklung oder jeden anderen unnatürlichen Erscheinung sofort vom Netz.
11. Dieses Gerät ist durch eine Stromquelle wie auf dem Typenschild angegeben zu betreiben. Halten Sie bei Unsicherheiten über die Art Ihrer Stromversorgung in Ihrer Wohnung Rücksprache mit Ihrem Händler oder Ihrer Stromzuliefererfirma.
12. Halten Sie es von Haustieren fern. Einige Nagetiere lieben es, an Netzkabeln zu nagen.
13. Benutzen Sie für die Reinigung ein weiches und trockenes Tuch. Benutzen Sie niemals Lösungsmittel oder Flüssigkeiten auf Ölbasis. Benutzen Sie zum Entfernen hartnäckiger Flecken ein feuchtes Tuch mit mildem Reinigungsmittel.
14. Der Hersteller haftet nicht für Schäden oder Verluste durch Fehlfunktion, Zweckentfremdung oder Modifikation des Geräts oder durch Wechseln der Batterien.
15. Unterbrechen Sie die Verbindung nicht während einer Formatierung oder einer Datenübertragung. Bei Unterbrechung drohen Datenverlust und Datenbeschädigung.
16. Wenn das Gerät eine USB-Wiedergabefunktion besitzt, dann stecken Sie den USB-Stick direkt in das Gerät. Verwenden Sie kein USB-Verlängerungskabel, weil die erhöhte Störungsanfälligkeit zu Datenverlust führen könnte.
17. Das Typenschild befindet sich an der Unter- oder Rückseite des Geräts.
18. Dieses Gerät ist nicht zur Benutzung durch Personen (einschließlich Kinder) mit physischen, sensorischen oder mentalen Beeinträchtigungen oder ohne ausreichender Erfahrung vorgesehen, es sei denn, sie werden durch eine verantwortliche Person beaufsichtigt oder wurden in die ordnungsgemäße Bedienung des Gerätes durch eine für ihre Sicherheit verantwortliche Person eingewiesen.

19. Dieses Produkt ist nur für den nicht-professionellen Gebrauch und nicht für gewerbliche oder industrielle Zwecke bestimmt.
20. Stellen Sie sicher, dass das Gerät in einer stabilen Position aufgestellt ist. Schäden aufgrund Verwendung dieses Produkts in einer instabilen Position, Vibrationen, Stöße oder Nichtbeachtung der anderen in dieser Bedienungsanleitung enthaltenen Warnungen und Sicherheitshinweise werden nicht durch die Garantie abgedeckt.
21. Entfernen Sie niemals das Gehäuse dieses Produkts.
22. Stellen Sie das Produkt niemals auf andere elektrische Geräte.
23. Halten Sie Kinder von den Plastiktüten fern.
24. Benutzen Sie nur vom Hersteller spezifizierte Erweiterungen/Zubehörteile.
25. Lassen Sie alle Eingriffe von qualifiziertem Servicepersonal ausführen. Eingriffe werden notwendig, wenn das Gerät auf irgendeine Weise wie beispielsweise am Netzkabel oder am Netzstecker beschädigt wurde, Flüssigkeit in das Gerät eingedrungen ist, Gegenstände in das Gerät gefallen sind, das Gerät Regen oder Feuchtigkeit ausgesetzt war, es heruntergefallen ist oder nicht ordnungsgemäß funktioniert.
26. Langes Hören lauter Töne aus einem Musikgerät kann zum zeitweiligen oder permanenten Hörverlust führen.
27. Wenn zum Lieferumfang des Produkts ein Netzkabel oder ein Netzadapter gehört:
 - Wenn irgendwelche Probleme auftreten, dann ziehen Sie den Netzstecker aus der Netzsteckdose und setzen Sie sich anschließend mit einer qualifizierten Fachkraft in Verbindung.
 - Treten Sie nicht auf das Netzteil und klemmen Sie es auch nicht ein. Geben Sie besonders im näheren Bereich des Steckers und der Stelle acht, wo das Kabel aus dem Gerät herausgeführt wird. Stellen Sie keine schweren Gegenstände auf das Netzteil, weil es dadurch beschädigt werden könnte. Halten Sie das gesamte Gerät außerhalb der Reichweite von Kindern! Durch Spielen mit dem Netzkabel können sie sich ernsthafte Verletzungen zuziehen.
 - Trennen Sie das Gerät während eines Gewitters oder bei längerer Nichtbenutzung vom Netz.
 - Die Wandsteckdose muss sich in der Nähe des Geräts befinden und einfach zu erreichen sein.
 - Steckdosen und Verlängerungsleitungen nicht überlasten. Eine Überlastung kann zu Brandgefahr bzw. Stromschlag führen.
 - Geräte der Schutzklasse 1 sind an eine Netzsteckdose mit Schutzleiter anzuschließen.
 - Geräte der Schutzklasse 2 benötigen keinen Schutzleiteranschluss.
 - Halten Sie den Netzstecker in der Hand, wenn Sie ihn aus der Netzsteckdose ziehen. Ziehen Sie ihn nicht durch Zerran am Kabel heraus. Das kann zu einem Kurzschluss führen.
 - Verwenden Sie weder ein beschädigtes Netzkabel noch einen beschädigten Stecker oder eine lockere Steckdose. Es besteht Brand- und Stromschlaggefahr.
28. Wenn das Produkt mit einer Fernbedienung mit Batterien/Knopfzellen geliefert wird oder das Produkt eine derartige Fernbedienung umfasst:

Warnung:

 - „Die Batterie nicht einnehmen, er besteht Verätzungsgefahr“.
 - [Die mit diesem Produkt mitgelieferte Fernbedienung] enthält eine Knopfzelle. Das Verschlucken der Batterie kann innerhalb von nur 2 Stunden zu schwersten inneren Verbrennungen mit Todesfolge führen.
 - Halten Sie neue und gebrauchte Batterien von Kindern fern.
 - Verwenden Sie dieses Produkt nicht weiter und halten Sie es von Kindern fern, wenn das Batteriefach nicht sicher schließt.
 - Suchen Sie umgehend ärztliche Hilfe auf, wenn Sie vermuten, dass Batterien verschluckt oder in Körperöffnungen eingeführt wurden.
29. Warnhinweise bzgl. der Verwendung von Batterien:
 - Es besteht Explosionsgefahr, wenn die Batterien nicht korrekt eingelegt werden. Nur mit Batterien des gleichen oder entsprechenden Typs ersetzen.
 - Die Batterie darf während der Benutzung, Aufbewahrung oder des Transports weder sehr hohen oder sehr niedrigen Temperaturen noch niedrigem Luftdruck in großen Höhenlagen ausgesetzt werden.
 - Die Ersetzung der Batterie mit einem falschen Batterietyp kann zum Explodieren der Batterie oder dem Auslaufen von entflammbarem Gas oder entflammbarer Flüssigkeit aus der Batterie führen.

- Die Entsorgung der Batterie in Feuer oder einem heißen Ofen oder das mechanische Zerkleinern oder Zerteilen der Batterie kann zu Explosionen führen.
- Das Verbleiben der Batterie in einer Umgebung mit sehr hohen Temperaturen kann zum Explodieren der Batterie oder dem Auslaufen von entflammbarem Gas oder entflammbarer Flüssigkeit führen.
- Eine einem sehr niedrigen Luftdruck ausgesetzte Batterie kann explodieren oder es kann aus einer einem sehr niedrigen Luftdruck ausgesetzten Batterie entflammbares Gas oder entflammbare Flüssigkeit auslaufen.
- Augenmerk ist auf den ökologischen Aspekt der Batterieentsorgung zu legen.

ANSCHLUSS

- Packen Sie alle Teile aus und entfernen Sie danach die Schutzmaterialien.
- Schließen Sie das Gerät nicht eher an das Netz an, bevor Sie die Netzspannung überprüft haben und alle anderen notwendigen Verbindungen hergestellt sind.

SETZEN SIE DIESES GERÄT WEDER REGEN NOCH FEUCHTIGKEIT AUS, UM BRAND ODER STROMSCHLÄGEN VORZUBEUGEN.



EN	DE
TO PREVENT FIRE OR SHOCK HAZARD DO NOT EXPOSE THIS APPLIANCE TO RAIN OR MOISTURE	SETZEN SIE DIESES GERÄT WEDER REGEN NOCH FEUCHTIGKEIT AUS, UM BRAND ODER STROMSCHLÄGEN VORZUBEUGEN
CAUTION	ACHTUNG
RISK OF ELECTRIC SHOCK	STROMSCHLAGGEFAHR
DO NOT OPEN	NICHT ÖFFNEN
WARNING: SHOCK HAZARD-DO NOT OPEN.	WARNUNG: STROMSCHLAGGEFAHR – NICHT ÖFFNEN

Das Ausrufezeichen im gleichseitigen Dreieck weist den Benutzer auf das Gerät betreffende wichtige Bedien-, Wartungs- und Instandhaltungshinweisen in dieser Bedienungsanleitung hin.

Der Blitz mit Pfeilspitze im gleichseitigen Dreieck dient dazu, den/die Benutzer/-in auf die Anwesenheit von unisolierter gefährlicher Spannung innerhalb des Geräts und der damit verbundenen erhöhten Stromschlaggefahr hinzuweisen.

Dieses Symbol weist auf die vorhandene doppelte Isolation zwischen gefährlicher Netzspannung und den vom Benutzer zugänglichen Teilen hin.

AUFKLEBER LASERPRODUKT DER KLASSE 1

Dieser Aufkleber befindet sich an der gezeigten Stelle, um Sie darauf hinzuweisen, dass das Gerät mit einer Laserkomponente ausgestattet ist

CLASS 1 LASER PRODUCT

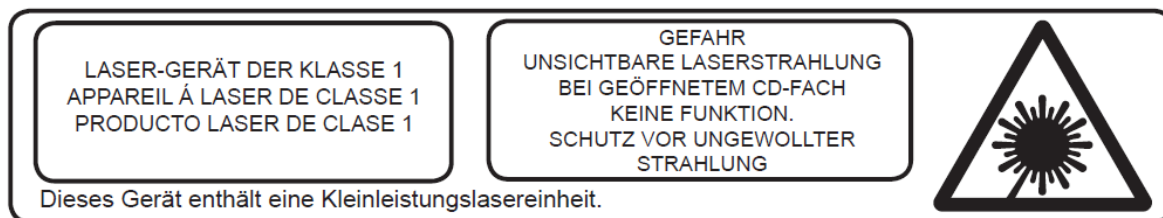
KLASS 1 LASER APPARAT

LUOKEN 1 LAISERLAITE

KLASSE 1 LASER PRODUKT

WARNUNG

Laserprodukt der Klasse 1



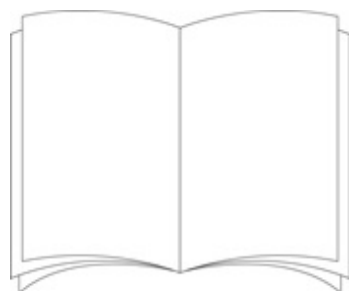
Warnung: Berühren Sie die Linse nicht.

ZUBEHÖR

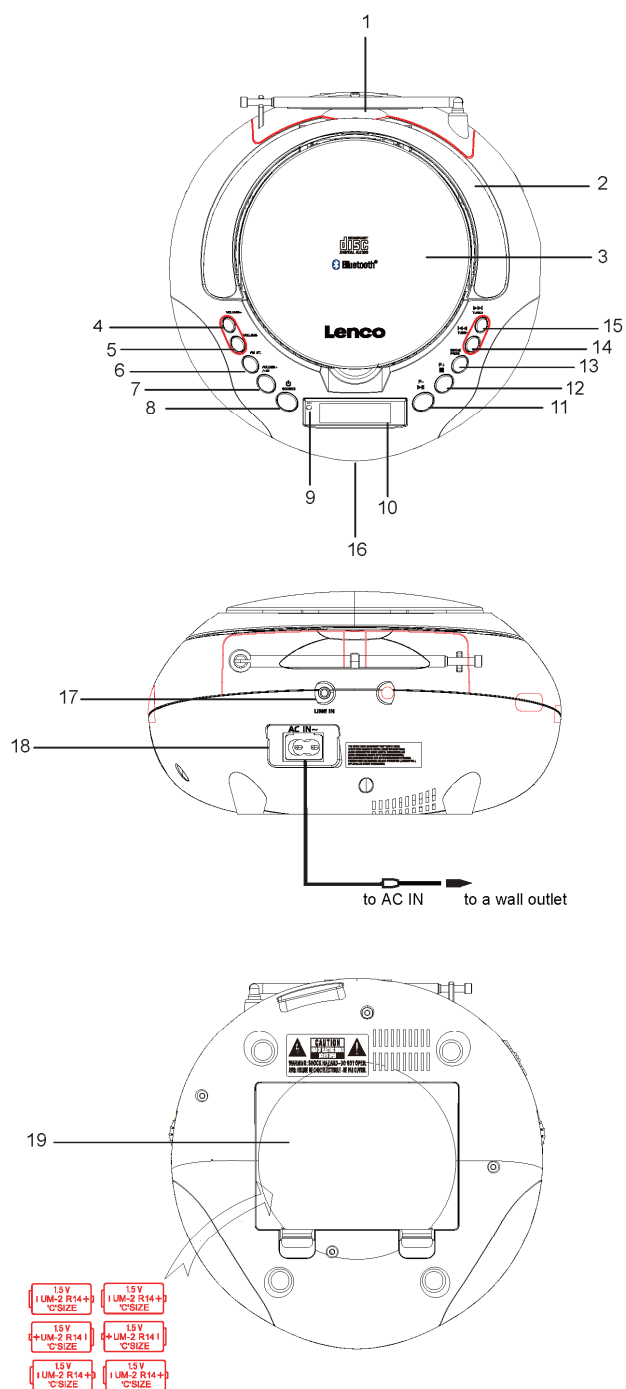
1 x Netzkabel



1 x Bedienungsanleitung



BEDIENELEMENTE



EN	DE
to AC IN	Zur Netzanschlussbuchse
to a wall outlet	Zur Netzsteckdose

1. Antenne

2. Griff
3. CD-FACH
4. Lautstärke+
5. Lautstärke-
6. FM-STEREO
7. Ordner+/10+
8. Quelle und Ein/Ausschalten
9. Standby-LED
10. LCD-Display
11. Wiedergabe/Pause/P-
12. Stopp/Bluetooth-Kopplung/P+
13. Modus/Programm
14. Überspringen-/Abstimmen-
15. Überspringen+/Abstimmen+
16. USB-Port
17. LINE/AUX-Eingangsbuchse 3,5 mm
18. Netzanschlussbuchse für den Anschluss des mitgelieferten Netzkabels.
19. Batteriefachdeckel

STROMVERSORGUNG

1. Schließen Sie das Netzkabel an der Netzanschlussbuchse auf der Rückseite des Geräts an und stecken Sie dann den Netzstecker in eine Netzsteckdose, um das Gerät im Netzbetrieb zu betreiben.
2. Für den Batteriebetrieb benötigt das Gerät 6 Batterien vom Typ C (nicht im Lieferumfang enthalten).
3. Sobald Sie das Gerät am Stromnetz anschließen, wechselt es in den Standby-Modus (*Anzeige-LED leuchtet).

AUSWÄHLEN EINER QUELLE

Drücken Sie die Taste „**POWER**“, um das Gerät einzuschalten.

Drücken Sie die Taste „**SOURCE**“, um die verschiedenen Modi auszuwählen.

- CD
- USB
- Bluetooth
- FM
- AUX

LAUTSTÄRKE

Drücken Sie die Taste „**VOLUME+/-**“, um den Lautstärkepegel einzustellen.

ANTENNE

Benutzen Sie die Antenne, um den Empfang des Radiosignals zu verbessern.

1. Ziehen Sie die Antenne vollständig heraus.
2. Richten Sie die Antenne für den besten Empfang aus.

CD ODER MP3-CD

1. Wählen Sie den CD-Modus aus.
2. Legen Sie eine CD oder eine MP3-CD im CD-Fach ein.
3. Die CD bzw. MP3-CD wird automatisch eingelesen. Anschließend wird automatisch der erste Titel wiedergegeben.
4. Drücken Sie die Taste „**PLAY/PAUSE**“, um einen Titel wiederzugeben oder dessen Wiedergabe zu pausieren.
5. Drücken Sie die Taste „**SKIP+/-**“, um zum nächsten oder vorherigen Titel zu springen.
6. Halten Sie die Taste „**SKIP+/-**“ gedrückt, um eine Stelle innerhalb des Titels schnell aufzufinden.
7. Drücken Sie die Taste „**STOP**“, um die Wiedergabe zu beenden.

CD-Hinweise:

- a. Verschmutzte oder zerkratzte CDs können der Grund für das Springen von CDs sein. Reinigen Sie die CD oder legen Sie eine andere CD ein.
- b. Wenn ein Fehler angezeigt wird oder eine Fehlfunktion auftritt, dann ziehen Sie den Netzstecker heraus und entfernen Sie alle Batterien. Stecken Sie anschließend den Netzstecker wieder in die Netzsteckdose bzw. legen Sie anschließend die Batterien wieder ein.

USB-WIEDERGABE

1. Wählen Sie den USB-Modus aus.
2. Schließen Sie einen USB-Datenträger am USB-Port an.
3. Der Inhalt des USB-Datenträgers wird automatisch eingelesen. Anschließend wird automatisch der erste Titel bzw. das erste Verzeichnis wiedergegeben.
4. Drücken Sie die Taste „**PLAY/PAUSE**“, um einen Titel wiederzugeben oder dessen Wiedergabe zu pausieren.
5. Drücken Sie die Taste „**SKIP+/-**“, um zum nächsten oder vorherigen Titel zu springen.

6. Halten Sie die Taste „**SKIP+/-**“ gedrückt, um eine Stelle innerhalb des Titels schnell aufzufinden.
7. Drücken Sie die Taste „**STOP**“, um die Wiedergabe zu beenden.

MODUS

Drücken Sie mehrmals die Taste „**MODE**“, um im CD- oder USB-Modus die verschiedenen Funktionen wie nachstehend beschrieben auszuwählen:

1. Gegenwärtigen Titel wiederholen
2. Verzeichnis wiederholen (MP3)
3. Alle Titel wiederholen
4. Zufallswiedergabe
5. Normale Wiedergabe

VERZEICHNIS

Drücken Sie die Taste „**FOLDER**“, um zwischen den verschiedenen Verzeichnissen auszuwählen.

Drücken Sie die Taste „**10+**“, um die Titel zu ändern.

PROGRAMMIERTE WIEDERGABE (CD ODER MP3-MODUS)

CD = Max. 20 Titel

MP3 = Max. 99 Titel

1. Wenn Sie die Taste „**PROG**“ (drücken Sie vorher immer die Taste „**STOP**“) drücken,
2. dann wird auf dem Display „P01“ (P01) blinkend angezeigt. Drücken Sie die Taste „**P+/-**“, um den gewünschten Titel auszuwählen und dann erneut die Taste „**PROG**“, um Ihre Auswahl zu bestätigen.
3. Drücken Sie die Taste „**PLAY/PAUSE**“, um die programmierte Wiedergabeliste wiederzugeben, wobei die „**PROG**“-LED leuchtet.
4. Drücken Sie die Taste „**STOP**“ zweimal, um die programmierte Wiedergabeliste wieder zu löschen.

*Für die Wiedergabe der programmierten Wiedergabeliste stehen Ihnen die Einzeltitelwiederholung und die Gesamttitelwiederholung zur Verfügung.

BLUETOOTH

1. Wählen Sie den Bluetooth-Modus aus.
2. Aktivieren Sie die Bluetooth-Funktion Ihres Bluetooth-Geräts und suchen Sie anschließend „Lenco SCD-331“ in der Liste gefundener Bluetooth-Geräte (*Die Anzeige

- „bt“ auf dem Display blinkt).
3. Koppeln Sie Ihr Radio anschließend mit Ihrem Bluetooth-Gerät. Wenn Sie nach einem Passwort gefragt werden sollten, dann geben Sie „0000“ ein.
 4. Wenn die Verbindung erfolgreich war, dann ertönt eine kurze Melodie und die Anzeige „bt“ auf dem Display wird dauerhaft angezeigt.
 5. Drücken Sie die Taste „**PLAY/PAUSE**“, um einen Titel wiederzugeben oder dessen Wiedergabe zu pausieren.
 6. Drücken Sie die Taste „**SKIP+/-**“, um zum nächsten oder vorherigen Titel zu springen.
 7. Halten Sie die Taste „**STOP**“ gedrückt, um die Sammlung abubrechen.

FM-Radio

1. Wählen Sie den FM-Radiomodus aus.
 2. Drücken Sie die Taste „**TUNE+/-**“, um den gewünschten Radiosender auszuwählen.
- *Leuchtende FM-Stereo-LED = Ein in Stereo ausgestrahltes Programm wird empfangen

Wenn der Stereoempfang Ihres Lieblingssenders unbefriedigend ist, dann können Sie die Taste FM ST (6) drücken, um per Hand zwischen der Wiedergabe in Stereo (ST) oder Mono (no) umzuschalten. Im Mono-Mode kann der Empfang für den entsprechenden Kanal verbessert werden.

AUTOMATISCHE SENDERSPEICHERUNG

1. Halten Sie die Taste „**PLAY/PAUSE**“ gedrückt, um einen „Auto Scan“ (Automatischer Scan) zu starten. Die Sender mit gutem Empfang werden auf den Speicherplätzen abgespeichert.
2. Drücken Sie die Taste „**PRESET**“ oder „**SKIP+/-**“, um die Speicherplätze abzurufen.

MANUELLE SENDERSPEICHERUNG

1. Drücken Sie die Taste „**TUNE+/-**“, um den gewünschten Radiosender auszuwählen.
2. Drücken Sie die Taste „**PROG**“, um in den Modus Manuelles Scannen zu wechseln.
3. Drücken Sie die Taste „**P+/-**“, um den gewünschten Sender auszuwählen.
4. Drücken Sie die Taste „**PROG**“, um Ihre Auswahl zu bestätigen.
5. Drücken Sie die Taste „**P+/-**“, um einen abgespeicherten Sender auszuwählen.

AUX

1. Wählen Sie den AUX-Modus aus.
2. Verbinden Sie mit Hilfe eines 3,5-mm-Klinkenkabels (nicht im Lieferumfang enthalten)

einen externen Audioplayer mit dem LINE-Eingang auf der Rückseite des SCD-331.

3. Ändern Sie die Lautstärkepegel Ihres Geräts und des externen Musikwiedergabegeräts getrennt.

ENERGIESPAREN

Um den Anforderungen des Energiesparens gerecht zu werden, wechselt das Gerät automatisch in den Standby-Modus, wenn 10 Minuten lang keine Musik wiedergegeben wurde.

TECHNISCHE DATEN

Stromversorgung

230 V AC/50 Hz

9 V DC über 6 1,5-V-Batterien vom Typ C

Frequenzbereich:

FM 88 – 108 MHz

Leistungsaufnahme 13 W

Audioausgangsleistung: 2 x 1 W

Geräteabmessung (B x T x H) 217 x 220 x 118 mm

Gewicht: 1 kg

Garantie

Lenco bietet Leistungen und Garantien im Einklang mit Europäischem Recht. Im Falle von Reparaturen (sowohl während als auch nach Ablauf der Garantiezeit) sollten Sie deshalb Ihren Einzelhändler kontaktieren.

Wichtiger Hinweis: Es ist nicht möglich, Produkte für Reparaturen direkt an Lenco zu schicken.

Wichtiger Hinweis: Wenn dieses Gerät für welchen Grund auch immer durch ein nicht offizielles Service-Center geöffnet wurde oder durch dieses Service-Center darauf zugegriffen wurde, erlischt die Garantie.

Dieses Gerät ist nicht für professionelle Zwecke geeignet. Falls das Gerät für professionelle Zwecke eingesetzt wird, erlöschen alle Garantieverpflichtungen seitens des Herstellers.

Haftungsausschluss

Aktualisierungen der Firmware und/oder Hardware-Komponenten werden regelmäßig durchgeführt. Aus diesem Grund können einige der Anleitungen, Spezifikationen und

Abbildungen in dieser Dokumentation zu dem Ihnen vorliegendem Gerät leicht abweichen. Alle in diesem Handbuch beschriebenen Elemente dienen nur zur Illustration und treffen auf Ihre individuelle Situation möglicherweise nicht zu. Aus der in diesem Handbuch getätigten Beschreibung können keine Rechtsansprüche oder Leistungsanforderungen geltend gemacht werden.

Entsorgung des Altgeräts



Dieses Symbol zeigt an, dass das entsprechende Produkt oder dessen Akku/Batterie in Europa nicht mit dem normalen Hausmüll entsorgt werden darf. Um die ordnungsgemäße Abfallbehandlung des Produkts und dessen Akku/Batterie zu gewährleisten, müssen diese im Einklang mit allen anwendbaren örtlichen Vorschriften zur Entsorgung von Elektrogeräten und Akkus/Batterien entsorgt werden. Dabei helfen Sie, natürliche Ressourcen zu schonen und Umweltschutzstandards zur Verwertung und Entsorgung von Altgeräten aufrecht zu halten (Richtlinie über Entsorgung Elektrischer und Elektronischer Altgeräte).

CE-Kennzeichen

Hiermit erklärt Lenco Benelux B.V., Thermiekstraat 1a, 6361 HB Nuth, The Netherlands, dass dieses Produkt den grundsätzlichen Anforderungen der EU-Richtlinie entspricht.

Die Konformitätserklärung kann unter folgendem Link abgerufen werden:

techdoc@commaxxgroup.com



Service

Besuchen Sie bitte für weitere Informationen und unseren Kundendienst unsere Homepage

www.lenco.com

Lenco Benelux BV, Thermiekstraat 1a, 6361 HB, Die Niederlande.

ATTENTION :

L'utilisation de commandes ou d'ajustements ou l'exécution de procédures autres que celles spécifiées dans le présent document peuvent entraîner une exposition dangereuse aux radiations.

PRÉCAUTIONS AVANT UTILISATION

GARDEZ CES INSTRUCTIONS À L'ESPRIT :

1. Ne couvrez pas et n'obtenez pas les ouvertures de ventilation. Lorsque vous placez l'appareil sur une étagère, laissez 5 cm (2") d'espace libre tout autour de l'appareil.
2. Installez-le conformément au mode d'emploi fourni.
3. Gardez l'appareil à l'écart des sources de chaleur telles que des radiateurs, appareils de chauffage, fours, bougies et autres produits générant de la chaleur ou une flamme nue. L'appareil ne peut être utilisé que dans des climats modérés. Les environnements extrêmement froids ou chauds doivent être évités. La plage de température de fonctionnement se situe entre 0° et 35° C.
4. Évitez d'utiliser l'appareil à proximité de champs magnétiques puissants.
5. Des décharges électrostatiques peuvent perturber le fonctionnement de cet appareil. Dans ce cas, il suffit de réinitialiser et de redémarrer l'appareil en suivant le mode d'emploi. Pendant le transfert de fichiers, manipulez l'appareil avec précaution et faites-le fonctionner dans un environnement sans électricité statique.
6. Mise en garde ! N'introduisez jamais un objet dans l'appareil par les ouvertures et les fentes de ventilation. Étant donné que des tensions élevées sont présentes à l'intérieur du produit, l'insertion d'un objet peut entraîner une électrocution et/ou court-circuiter les composants internes. Pour les mêmes raisons, ne versez pas de l'eau ou un liquide sur le produit.
7. Ne l'utilisez pas dans des endroits humides tels qu'une salle de bain, une cuisine pleine de vapeur ou à proximité d'une piscine.
8. L'appareil ne doit pas être exposé à des écoulements ou des éclaboussures et aucun objet contenant un liquide, tel qu'un vase, ne doit être posé sur ou près de l'appareil.
9. N'utilisez pas cet appareil lorsque de la condensation est possible. Lorsque l'appareil est utilisé dans une pièce humide et chaude, des gouttelettes d'eau ou de la condensation peuvent se former à l'intérieur de l'appareil et affecter son fonctionnement. Laissez l'appareil hors tension pendant 1 ou 2 heures avant de le mettre en marche : l'appareil doit être sec avant sa mise sous tension.
10. Bien que ce dispositif soit fabriqué avec le plus grand soin et contrôlé à plusieurs reprises avant de quitter l'usine, des problèmes peuvent néanmoins survenir, comme avec tous les appareils électriques. Si l'appareil émet de la fumée ou en cas d'accumulation excessive de la chaleur ou d'un phénomène inattendu, débranchez immédiatement la fiche d'alimentation du secteur.
11. Cet appareil doit fonctionner avec la source d'alimentation indiquée sur la plaque signalétique. Si vous n'êtes pas sûr du type d'alimentation utilisé chez vous, contactez votre revendeur ou le fournisseur local d'électricité.
12. Tenez l'appareil à l'abri des animaux. Certains animaux aiment ronger les cordons électriques.
13. Pour nettoyer l'appareil, servez-vous d'un chiffon doux et sec. N'utilisez pas de solvant ni d'autre liquide à base de pétrole. Pour enlever les taches importantes, vous pouvez vous servir d'un chiffon humide imbibé d'une solution de détergent diluée.
14. Le fournisseur n'est pas responsable des dommages ou pertes de données causés par un dysfonctionnement, une utilisation abusive, une modification de l'appareil ou un remplacement de la batterie.
15. N'interrompez pas la connexion lorsque l'appareil formate ou transfère des fichiers. Dans le cas contraire, les données pourraient être endommagées ou perdues.
16. Si l'appareil a une fonction de lecture USB, il faut brancher la clé USB directement sur l'appareil. N'utilisez pas un câble d'extension USB, car cela peut causer des interférences entraînant des pertes de données.
17. L'étiquette de classification se trouve sur le panneau inférieur ou arrière de l'appareil.
18. Cet appareil ne doit pas être utilisé par des personnes (y compris les enfants) souffrant de déficiences physiques, sensorielles ou mentales, ou d'un manque d'expérience et de connaissances, à moins qu'elles n'aient été supervisées ou qu'une personne responsable de leur sécurité ne leur ait donné des instructions sur l'utilisation correcte de l'appareil.
19. Ce produit est réservé à un usage non professionnel, et non pas à un usage commercial ni industriel.
20. Vérifiez que l'appareil est en position stable. La garantie ne couvre pas les dégâts occasionnés par l'utilisation de cet appareil en position instable, par les vibrations, les chocs ou par la non-observation de tout autre avertissement ou précaution contenus dans ce mode d'emploi.
21. N'ouvrez jamais cet appareil.
22. Ne placez jamais cet appareil sur un autre appareil électrique.

23. Ne laissez pas les sacs en plastique à la portée des enfants.
24. Utilisez uniquement les accessoires recommandés par le fabricant.
25. Confiez l'entretien et les réparations à un personnel qualifié. Une réparation est nécessaire lorsque l'appareil a été endommagé de quelque façon que ce soit, par exemple lorsque le cordon d'alimentation ou la prise sont endommagés, lorsqu'un liquide s'est déversé ou des objets sont tombés sur l'appareil, lorsque l'appareil a été exposé à la pluie ou à l'humidité, lorsqu'il ne fonctionne pas correctement ou est tombé.
26. Une exposition prolongée à la musique avec un volume élevé peut entraîner une perte auditive temporaire ou permanente.
27. Si l'appareil est livré avec un câble d'alimentation ou un adaptateur secteur :
 - En cas de problème, débranchez le cordon d'alimentation CA et confiez l'entretien à un personnel qualifié.
 - Ne marchez pas sur l'adaptateur secteur ou ne le coincez pas. Faites très attention, en particulier à proximité des fiches et du point de sortie du câble. Ne placez pas d'objets lourds sur l'adaptateur secteur, car ils pourraient l'endommager. Gardez l'appareil hors de portée des enfants ! Ils pourraient se blesser gravement s'ils jouent avec le câble d'alimentation.
 - Débranchez cet appareil pendant les orages ou lorsqu'il n'est pas utilisé pendant une longue durée.
 - La prise secteur doit être installée près de l'appareil et doit être facilement accessible.
 - Ne surchargez pas les prises de courant ou les rallonges. Une surcharge peut entraîner un incendie ou une électrocution.
 - Les appareils de classe 1 doivent être branchés à une prise de courant disposant d'une connexion protectrice à la terre.
 - Les appareils à la norme de construction de classe 2 ne nécessitent pas de connexion à la terre.
 - Tirez toujours sur la fiche pour débrancher le cordon de la prise secteur. Ne tirez pas sur le cordon d'alimentation. Cela pourrait provoquer un court-circuit.
 - N'utilisez pas un cordon ou une fiche d'alimentation endommagé ni une prise desserrée. Vous courez un risque d'incendie ou de décharge électrique.
28. Si le produit contient ou est livré avec une télécommande contenant des piles boutons :

Avertissement :

 - « N'ingérez pas la pile, car vous risquez une brûlure chimique » ou une formule équivalente.
 - La télécommande fournie contient une pile bouton/pièce de monnaie. Si la pile est avalée, elle peut causer de graves brûlures internes en seulement 2 heures et peut entraîner la mort.
 - Tenez les piles neuves et usagées hors de portée des enfants.
 - Si le compartiment à piles ne se ferme pas correctement, cessez d'utiliser l'appareil et tenez-le hors de portée des enfants.
 - Si vous pensez que les piles ont été avalées ou placées à l'intérieur d'une partie du corps, consultez un médecin immédiatement.
29. Mise en garde relative à l'utilisation des piles :
 - Risque d'explosion si la pile est mal remplacée. Remplacez les piles par des piles d'un type identique ou équivalent.
 - Pendant l'utilisation, le stockage ou le transport, la pile ne doit pas être soumise à des températures extrêmement élevées ou basses, à une faible pression d'air à haute altitude.
 - Le remplacement d'une pile par une autre de type incorrect peut entraîner une explosion ou une fuite de liquide ou de gaz inflammable.
 - L'introduction d'une pile dans le feu ou dans un four chaud, l'écrasement ou le découpage mécanique peut entraîner une explosion.
 - L'exposition d'une pile dans un environnement à température extrêmement élevée peut entraîner une explosion ou une fuite de liquide ou de gaz inflammable.
 - L'exposition d'une pile à une pression d'air extrêmement basse peut entraîner une explosion ou une fuite de liquide ou de gaz inflammable.
 - Veuillez considérer les questions environnementales lors de la mise au rebut des piles.

INSTALLATION

- Déballez toutes les pièces et enlevez le matériau de protection.
- Ne connectez pas l'unité au secteur avant d'avoir vérifié la tension du secteur et avant que toutes les autres connexions n'aient été effectuées.

POUR ÉVITER TOUT RISQUE D'INCENDIE OU DE CHOC ÉLECTRIQUE, N'EXPOSEZ PAS CET APPAREIL À LA PLUIE OU À L'HUMIDITÉ.



EN	FR
TO PREVENT FIRE OR SHOCK HAZARD DO NOT EXPOSE THIS APPLIANCE TO RAIN OR MOISTURE	POUR ÉVITER TOUT RISQUE D'INCENDIE OU DE CHOC ÉLECTRIQUE, N'EXPOSEZ PAS CET APPAREIL À LA PLUIE OU À L'HUMIDITÉ.
CAUTION	ATTENTION
RISK OF ELECTRIC SHOCK	RISQUE DE DÉCHARGE ÉLECTRIQUE
DO NOT OPEN	NE PAS OUVRIR
WARNING: SHOCK HAZARD-DO NOT OPEN.	AVERTISSEMENT : N'OUVREZ PAS, RISQUE DE CHOC ÉLECTRIQUE.

Le point d'exclamation dans un triangle équilatéral a pour objectif d'avertir l'utilisateur de la présence d'instructions importantes de fonctionnement et d'entretien (réparation) dans les textes accompagnant l'appareil.

Le symbole de foudre avec pointe de flèche à l'intérieur d'un triangle équilatéral est destiné à alerter l'utilisateur sur la présence d'une « tension dangereuse » non isolée à l'intérieur du boîtier du produit pouvant être d'une magnitude susceptible de constituer un risque de choc électrique pour les personnes.

Ce symbole indique que ce produit comporte une double isolation entre la tension secteur dangereuse et les parties accessibles à l'utilisateur.

ÉTIQUETTE DE PRODUIT LASER DE CLASSE 1

Cette étiquette est apposée en place tel qu'illustré pour indiquer que l'appareil contient un composant laser.

CLASS 1 LASER PRODUCT


KLASS 1 LASER APPARAT

LUOKEN 1 LAISERLAITE

KLASSE 1 LASER PRODUKT

AVERTISSEMENT

Produit laser de classe 1

<p>PRODUIT LASER DE CLASSE 1 APPAREIL À LASER DE CLASSE 1 PRODUCTO LASER DE CLASE 1</p>	<p>ATTENTION SI LE PRODUIT EST OUVERT ET SI LES SÉCURITÉS SONT DÉVERROUILLÉES, IL EXISTE UN DANGER DE RADIATION LASER INVISIBLE, ÉVITEZ DE VOUS EXPOSER À CE FAISCEAU.</p>	
<p>Ce produit contient un dispositif laser à faible puissance.</p>		

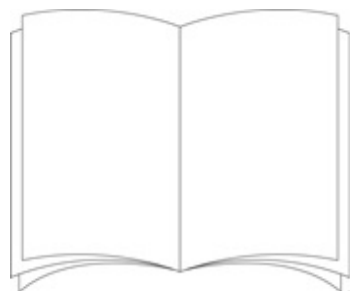
Avertissement : Ne touchez pas la tête de lecture.

ACCESSOIRES

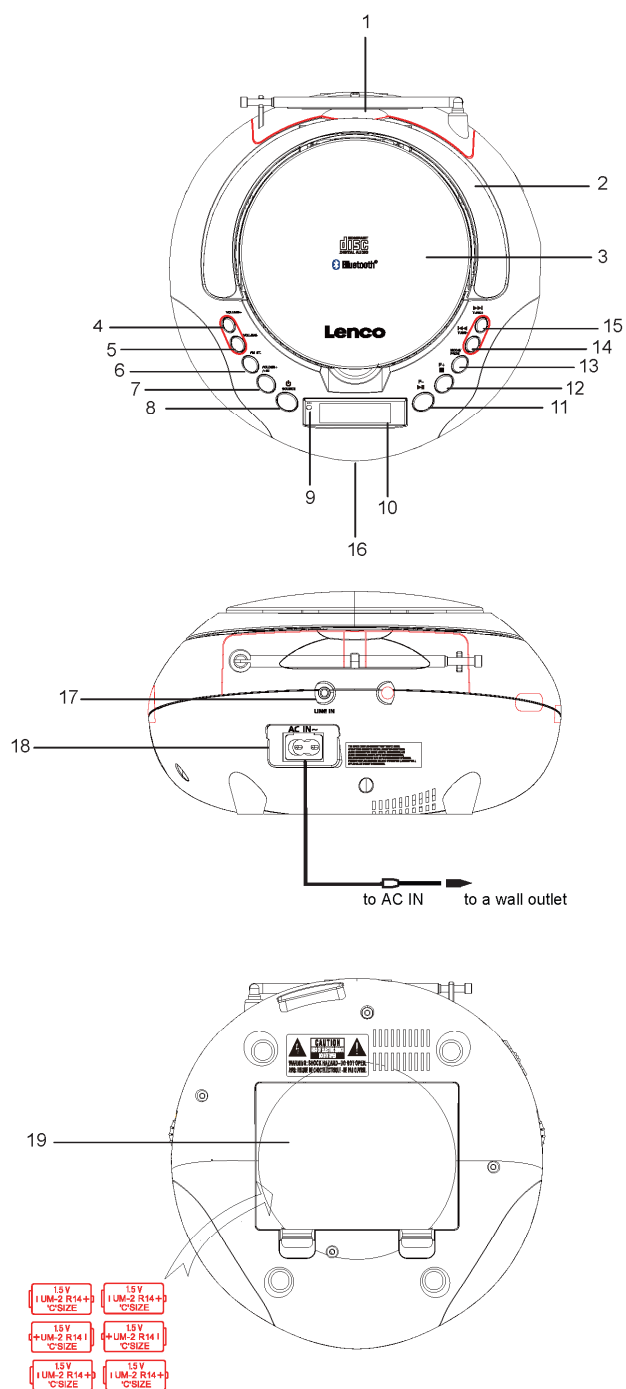
1 Cordon d'alimentation



Mode d'emploi x 1



EMPLACEMENT DES COMMANDES



EN	FR
to AC IN	vers AC IN
to a wall outlet	sur une prise murale

1. Antenne

2. Poignée
3. Porte CD
4. Volume +
5. Volume -
6. FM ST.
7. Dossier+/10+
8. Source/Mise sous/hors tension
9. Témoin de veille
10. Afficheur LCD
11. Lecture/Pause/P-
12. Arrêt/Bluetooth Appairage/P+
13. Mode/Prog
14. Skip-/Tune-
15. Skip+/Tune+
16. Port USB
17. Prise Line in (AUX) 3,5 mm
18. Prise CA pour brancher le câble d'alimentation fourni.
19. Cache du compartiment de la batterie

ALIMENTATION ÉLECTRIQUE

1. Pour alimenter l'appareil, branchez le cordon d'alimentation CA dans l'entrée d'alimentation CA à l'arrière de l'appareil et dans une prise de courant standard.
2. Pour l'alimentation par piles, cet appareil nécessite 6 piles de taille C (non fournies).
3. Pour le mode veille (voyant *DEL allumé) une fois la charge en cours

SÉLECTION D'UNE SOURCE

Appuyez sur la touche « **POWER** » pour allumer l'appareil.

Appuyez sur la touche « **SOURCE** » pour choisir un autre mode.

- CD
- USB
- Bluetooth
- FM
- AUX

VOLUME

Appuyez sur les boutons « **VOLUME+/-** » pour régler le niveau du volume.

ANTENNE

Utilisez l'antenne pour améliorer la réception du signal radio.

1. Déployez complètement l'antenne
2. Réglez la position de l'antenne pour une meilleure réception

CD OU MP3/CD

1. Sélectionnez le mode CD.
2. Insérez le CD ou le MP3/CD à l'intérieur du compartiment du CD.
3. Lecture automatique de CD ou MP3/CD à partir de la première piste
4. Appuyez sur la touche « **PLAY/PAUSE** » pour lire ou interrompre temporairement la piste.
5. Appuyez sur la touche « **SKIP+/-** » pour sauter la piste suivante ou précédente
6. Appuyez sur la touche « **SKIP+/-** » et maintenez-la enfoncée pour rechercher rapidement le point du son.
7. Appuyez sur la touche « **STOP** » pour arrêter la piste.

Remarques sur le CD :

- a. Les CD sales ou rayés peuvent causer un problème de saut de piste. Nettoyez ou remplacez le CD.
- b. En cas d'affichage d'erreur ou de dysfonctionnement, débranchez le cordon secteur et retirez toutes les piles. Remettez ensuite l'appareil sous tension.

PISTE USB

1. Sélectionnez le mode USB.
2. Connectez la clé USB au port USB
3. Lecture automatique USB à partir de la première piste/premier dossier
4. Appuyez sur la touche « **PLAY/PAUSE** » pour lire ou interrompre temporairement la piste.
5. Appuyez sur la touche « **SKIP+/-** » pour sauter la piste suivante ou précédente
6. Appuyez sur la touche « **SKIP+/-** » et maintenez-la enfoncée pour rechercher rapidement le point du son.
7. Appuyez sur la touche « **STOP** » pour arrêter la piste.

MODE

Appuyez plusieurs fois sur la touche « **MODE** » pour choisir les différentes fonctions en mode CD ou USB comme suit :

1. Répéter un
2. Répéter le dossier (MP3)
3. Répéter tout
4. Aléatoire
5. Lecture normale

DOSSIER

Appuyez sur la touche « FOLDER » pour changer de dossier.

Appuyez sur le bouton « 10+ » pour changer de piste

LECTURE PROGRAMMÉE (MODE CD OU MP3)

CD = 20 pistes max

MP3 = 99 pistes max

1. Appuyez sur le bouton « **PROG** » (Assurez-vous d'appuyer sur le bouton « **STOP** » avant)
2. P01 clignote à l'écran, appuyez sur « **P+/-** » pour sélectionner la piste. Appuyez à nouveau sur la touche « **PROG** » pour sauvegarder la piste sélectionnée
3. Appuyez sur la touche « **PLAY/PAUSE** » pour lire la liste de pistes programmées ; l'indicateur « **PROG** » s'allume.
4. Appuyez deux fois sur la touche « **STOP** » pour annuler la liste des pistes programmées.

*Les options Répéter une piste et Répéter tout sont disponibles pour la liste des pistes programmées

BLUETOOTH

1. Sélectionnez le mode Bluetooth.
2. Activez la fonction Bluetooth de votre appareil Bluetooth et recherchez « Lenco SCD-331 » dans la liste de couplage (*bt clignote à l'écran)
3. Couplez l'appareil à votre périphérique. Si un mot de passe vous est demandé, saisissez « 0000 ».
4. Lorsque la connexion est réussie, une courte mélodie retentit et l'indication « bt » clignotant sur l'écran reste allumé.
5. Appuyez sur la touche « **PLAY/PAUSE** » pour lire ou interrompre temporairement la piste.
6. Appuyez sur la touche « **SKIP+/-** » pour sauter la piste suivante ou précédente
7. Appuyez sur la touche « **STOP** » et maintenez-la enfoncée pour annuler le couplage

Radio FM

1. Sélectionnez le mode FM.
2. Appuyez sur la touche « **TUNE +/-** » pour sélectionner la station de votre choix.

*Témoin FM stéréo activé = le programme de diffusion stéréo est reçu.

Si la réception stéréo de votre station favorite n'est pas correcte, vous pouvez appuyer sur la touche FM ST (6) pour basculer manuellement entre la lecture stéréo (ST) et mono (NO). En mode Mono, la réception peut être améliorée pour ce canal.

PRÉRÉGLAGE AUTOMATIQUE

1. Appuyez sur la touche « **PLAY/PAUSE** » et maintenez-la enfoncée pour effectuer une « Recherche automatique » complète. Les canaux avec une bonne réception seront mémorisés comme préréglés.
2. Appuyez sur la touche « **PRESET** » ou « **SKIP+/-** » pour choisir la station préréglée.

PRÉRÉGLAGE MANUEL

1. Appuyez sur la touche « **TUNE +/-** » pour sélectionner la station de votre choix.
2. Appuyez sur la touche « **PROG** » pour accéder au mode préréglage manuel.
3. Appuyez sur la touche « **P +/-** » pour sélectionner une station.
4. Appuyez sur le bouton « **PROG** » pour confirmer.
5. Appuyez sur la touche « **P +/-** » pour choisir la station préréglée.

AUX

1. Sélectionnez le mode Aux.
2. Utilisez un câble Jack 3,5 mm (non fourni) pour connecter un lecteur audio externe au port Line in à l'arrière du SCD-331.
3. Modifiez le niveau de volume de cet appareil et de l'appareil de musique externe séparément.

ÉCONOMIE D'ÉNERGIE

Pour répondre aux exigences d'économie d'énergie, cet appareil passe automatiquement en mode veille lorsqu'aucune musique n'a été diffusée pendant 10 minutes.

CARACTÉRISTIQUES TECHNIQUES

Alimentation électrique :

CA 230 V ~ 50 Hz

PILES 9 V CC 6 x 1,5 V TYPE « C »

Bande de fréquence :

FM 88-108 MHz

Puissance consommée : 13 W

Puissance de la sortie audio 2 x 1 W

Dimensions (L x P x H) 217 x 220 x 118 mm

Poids : 1 kg

Garantie

Lenco propose un service et une garantie conformément à la législation européenne, ce qui signifie qu'en cas de besoin de réparation (aussi bien pendant et après la période de garantie), vous pouvez contacter votre revendeur le plus proche.

Remarque importante : Il n'est pas possible de renvoyer l'appareil pour réparation directement à Lenco.

Remarque importante : Si l'appareil est ouvert ou modifié de quelque manière que ce soit par un réparateur non agréé, la garantie serait caduque.

Cet appareil ne convient pas à une utilisation professionnelle. En cas d'utilisation professionnelle, les obligations de garantie du fabricant seront annulées.

Clause de non-responsabilité

Des mises à jour du logiciel et/ou des composants informatiques sont régulièrement effectuées. Il se peut donc que certaines instructions, caractéristiques et images présentes dans ce document diffèrent légèrement de votre configuration spécifique. Tous les articles décrits dans ce guide sont fournis uniquement à des fins d'illustration et peuvent ne pas s'appliquer à une configuration spécifique. Aucun droit légal ne peut être obtenu depuis les informations contenues dans ce manuel.

Mise au rebut de l'appareil usagé



Ce symbole indique que le produit électrique concerné ainsi que les piles ne doivent pas être jetés avec les autres déchets ménagers en Europe. Pour garantir un traitement correct des piles et de l'appareil usagés, veuillez les mettre au rebut conformément aux réglementations locales en vigueur relatives aux appareils électriques et autres piles. En agissant de la sorte, vous contribuerez à la préservation des ressources naturelles et à l'amélioration des niveaux de protection environnementale concernant le traitement et la destruction des déchets électriques (directive sur les déchets des équipements électriques et électroniques).

Marquage CE

Par la présente, Lenco Benelux B.V., Thermiekstraat 1a, 6361 HB Nuth, Pays-Bas, déclare que ce produit est conforme aux exigences principales des directives européennes.

La déclaration de conformité peut être consultée via techdoc@commaxxgroup.com



Service après-vente

Pour en savoir plus et obtenir de l'assistance, visitez www.lenco.com

Lenco Benelux BV, Thermiekstraat 1a, 6361 HB, Pays-Bas.

PRECAUCIÓN:

El uso de controles o ajustes o rendimiento de procedimientos excepto aquellos que los aquí especificados puede provocar una exposición peligrosa a la radiación.

PRECAUCIONES PREVIAS AL USO**TENGA ESTAS INSTRUCCIONES EN MENTE:**

1. No cubra o bloquee ninguna apertura de ventilación. Cuando coloque el dispositivo en una estantería, deje 5 cm (2") de espacio libre alrededor de todo el dispositivo.
2. Instálelo conforme al manual de usuario que se adjunta.
3. Mantenga el aparato alejado de fuentes de calor, como radiadores, calentadores, estufas, velas u otros productos que generen calor o llama viva. El aparato solo puede usarse en climas moderados. Se deben evitar los ambientes extremadamente fríos o cálidos. La gama de temperatura de funcionamiento es de entre 0° y 35°C.
4. Evite usar el dispositivo cerca de campos magnéticos fuertes.
5. Una descarga electrostática puede entorpecer el uso normal de este dispositivo. En tal caso, simplemente reinicielo siguiendo el manual de instrucciones. Durante la transmisión de archivos, por favor manéjelo con cuidado opérelo en un entorno libre de electricidad estática.
6. ¡Advertencia! Nunca inserte un objeto en el producto a través de las ventilaciones o aperturas. Alto voltaje fluye a través del producto e insertar un objeto puede provocar una descarga eléctrica y/o un cortocircuito de sus componentes internos. Por el mismo motivo, no derrame agua o líquidos en el producto.
7. No lo utilice en zonas húmedas, como cuartos de baño, cocinas en las que se forme vapor ni cerca de piscinas.
8. El aparato no debe exponerse a goteos o salpicaduras y asegúrese de que se colocan sobre o cerca del aparato objetos llenos de líquidos, como jarrones.
9. No use este dispositivo cuando se pueda producir condensación. Cuando la unidad se usa en una sala húmeda cálida, se pueden formar gotitas de agua o condensación en el interior de la unidad y esta puede no funcionar adecuadamente; deje que la unidad se apague durante 1 o 2 horas antes de volver a encender la unidad: el aparato debe estar seco antes de conectarse a una fuente de alimentación.
10. Aunque este dispositivo está fabricado con el máximo cuidado y comprobado varias veces antes de salir de fábrica, todavía es posible que se puedan producir problemas, al igual que con todos los aparatos eléctricos. Si observa la aparición de humo, una acumulación excesiva de calor o cualquier otro fenómeno inesperado, deberá desconectar inmediatamente el enchufe de la toma de corriente.
11. Este dispositivo debe funcionar con una fuente de alimentación que se especifica en la etiqueta de especificaciones. Si no está seguro del tipo de alimentación que se usa en su hogar, consulte con el distribuidor o una compañía eléctrica local.
12. Manténgalo alejado de los animales. A algunos animales les encanta morder los cables de alimentación.
13. Para limpiar el dispositivo use un paño seco y suave. No utilice líquidos disolventes ni con base de petróleo. Para eliminar manchas difíciles, puede usar un paño húmedo con detergente diluido.
14. El proveedor no asume ninguna responsabilidad por daños o datos perdidos provocados por un funcionamiento incorrecto, uso incorrecto, modificación del dispositivo o sustitución de la batería.
15. No interrumpa la conexión cuando el dispositivo esté formateando o transfiriendo archivos. En caso contrario, los datos se pueden estropear o perder.
16. Si la unidad dispone de función de reproducción USB, se debe conectar la memoria USB directamente en la unidad. No utilice un cable de extensión USB ya que pueden crear interferencias que causen una pérdida de datos.
17. La etiqueta calificativa se encuentra en la parte inferior o en el panel posterior del aparato.
18. Este dispositivo no está diseñado para su uso por parte de personas (incluyendo niños) con discapacidad física, sensorial o mental o con falta de experiencia o conocimientos, salvo que se les haya dado supervisión o instrucciones acerca del uso correcto del dispositivo por parte de una persona responsable de su seguridad.
19. Este producto está diseñado para un uso no profesional únicamente y no para un uso comercial o industrial.
20. Asegúrese de que la unidad esté fijada en una posición estable. La garantía no cubrirá los daños derivados de usar este producto en una posición inestable, vibraciones o golpes o por no seguir otras advertencias o precauciones que aparecen en este manual de usuario.
21. Nunca retire la carcasa del dispositivo.
22. Nunca coloque este dispositivo sobre otro equipo eléctrico.

23. Mantenga las bolsas de plástico fuera del alcance de los niños.
24. Use únicamente los dispositivos/accesorios especificados por el fabricante.
25. Remita todas las reparaciones al personal cualificado. Es necesario el mantenimiento cuando el aparato presenta cualquier tipo de daño, por ejemplo, el cable de alimentación o el enchufe presentan daños; se ha vertido líquido sobre el aparato; se han caído objetos en el aparato; el aparato se ha expuesto a la lluvia o humedad; el aparato no funciona normalmente o se ha caído.
26. Una larga exposición a sonidos elevados de reproductores de música personales puede provocar una pérdida de audición temporal o permanente.
27. Si el producto viene con un cable de alimentación o un adaptador de corriente de CA:
 - Si se produce cualquier problema, desconecte el cable de alimentación CA y remítalo a mantenimiento por parte de personal cualificado.
 - No pise o pince el adaptador de alimentación. Tenga mucho cuidado, en especial en las zonas alrededor de las tomas y el punto de salida del cable. No coloque objetos pesados en el adaptador de alimentación, ya que pueden dañarlo. ¡Mantenga el dispositivo fuera del alcance de los niños! Si juegan con el cable de alimentación, puede sufrir lesiones graves.
 - Desconecte el dispositivo durante tormentas eléctricas o cuando no vaya a usarse durante periodos prolongados de tiempo.
 - La salida de la toma debe instalarse cerca del equipo y debe ser fácilmente accesible.
 - No sobrecargue las tomas CA o los cables de extensión. La sobrecarga puede provocar un incendio o una descarga eléctrica.
 - Los dispositivos con construcción de Clase 1 deben estar conectados a una toma de corriente con una conexión a tierra protegida.
 - Los dispositivos con construcción de Clase 2 no requieren una conexión a tierra.
 - Sujete siempre el enchufe cuando los extraiga de la toma de corriente. No tire del cable de alimentación. Esto puede provocar un cortocircuito.
 - No utilice un cable de alimentación o enchufe deteriorado o una toma suelta. Si lo hace, podría provocar un incendio o una descarga eléctrica.
28. Si el producto contiene o se entrega con un mando a distancia que contiene pilas de botón / celdas:
Advertencia:
 - “Ni ingiera la pila, riesgo de quemadura química” o frase equivalente.
 - [El mando a distancia que se suministra] Este producto contiene una pila de tipo botón/moneda. Si la pila se traga, puede provocar graves quemaduras internas en sólo 2 horas y podría ocasionar la muerte.
 - Mantenga las pilas nuevas o usadas fuera del alcance de los niños.
 - Si el compartimento de las pilas no se cierra correctamente, deje de usar el producto y no lo deje al alcance los niños.
 - Si tiene la sospecha de que una pila ha sido ingerida o se encuentra en algún lugar del cuerpo, busque inmediatamente atención médica.
29. Precaución sobre el uso de las pilas:
 - Existe riesgo de explosión si la pila no se sustituye correctamente. Sustitúyala únicamente con otra del mismo tipo u otro equivalente.
 - No se pueden exponer las pilas a temperaturas extremadamente altas o bajas, baja presión de aire a gran altitud durante el uso, almacenamiento o transporte.
 - Si cambia la pila por otra que no sea la correcta, se puede producir una explosión o la fuga de líquidos o gases inflamables.
 - Si arroja la pila al fuego o a un horno caliente, o aplasta o corta mecánicamente una pila, podría provocar una explosión.
 - Si deja una pila en un lugar con temperaturas extremadamente altas, se puede producir una explosión o una fuga de líquido o gas inflamable.
 - Si se expone la pila a una presión de aire extremadamente baja, se puede producir una explosión o la fuga de líquidos o gases inflamables.
 - Se debe prestar atención a los aspectos medioambientales sobre la eliminación de baterías.

INSTALACIÓN

- Desembale todas las piezas y retire el material protector.
- No conecte la unidad a la corriente eléctrica antes de comprobar la tensión de la corriente y antes de que se hayan hecho todas las demás conexiones.

PARA EVITAR RIESGOS DE INCENDIO O DESCARGA ELÉCTRICA NO EXPONGA ESTE APARATO A LA LLUVIA O HUMEDAD.



EN	ES
TO PREVENT FIRE OR SHOCK HAZARD DO NOT EXPOSE THIS APPLIANCE TO RAIN OR MOISTURE	PARA EVITAR UN INCENDIO O UNA DESCARGA ELÉCTRICA NO EXPONGA ESTE APARATO A LA LLUVIA O HUMEDAD
CAUTION	PRECAUCIÓN
RISK OF ELECTRIC SHOCK	RIESGO DE DESCARGA ELÉCTRICA
DO NOT OPEN	NO ABRIR
WARNING: SHOCK HAZARD-DO NOT OPEN.	ADVERTENCIA: RIESGO DE DESCARGA ELÉCTRICA –NO ABRIR.

El signo de exclamación dentro de un triángulo equilátero es para alertar al usuario de la presencia de importantes instrucciones de funcionamiento y mantenimiento (servicio técnico) en la documentación que viene incluida con el aparato.

El símbolo del rayo con punta de flecha dentro de un triángulo equilátero, tiene como finalidad alertar al usuario de la presencia de “tensión peligrosa” no aislada dentro de la carcasa del producto que puede ser de tal magnitud para constituir un riesgo de descarga eléctrica en personas.

Este símbolo indica que este producto incorpora doble aislamiento entre la tensión de corriente peligrosa y las piezas accesibles por parte del usuario.

ETIQUETA DE PRODUCTO LÁSER CLASE 1

Esta etiqueta se fija al lugar tal y como se ilustra para informar de que el aparato contiene un componente laser.

CLASS 1 LASER PRODUCT


KLASS 1 LASER APPARAT

LUOKEN 1 LAISERLAITE

KLASSE 1 LASER PRODU

ADVERTENCIA

Producto Láser Clase 1

<p>PRODUCTO LÁSER DE CLASE 1 APPAREIL À LASER DE CLASSE 1 PRODUCTO LASER DE CLASE 1</p>	<p>PRECAUCIÓN RADIACIÓN LÁSER INVISIBLE AL ABRIRLO Y ANULAR EL SISTEMA DE BLOQUEO. EVITE LA EXPOSICIÓN A ESTE HAZ</p>	
---	---	---

Este producto contiene un dispositivo láser de baja potencia.

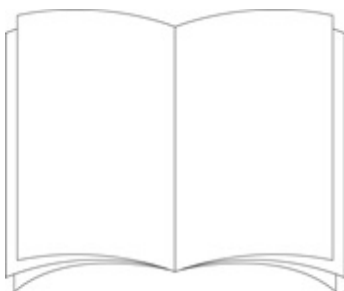
Advertencia: No toque la lente.

ACCESORIOS

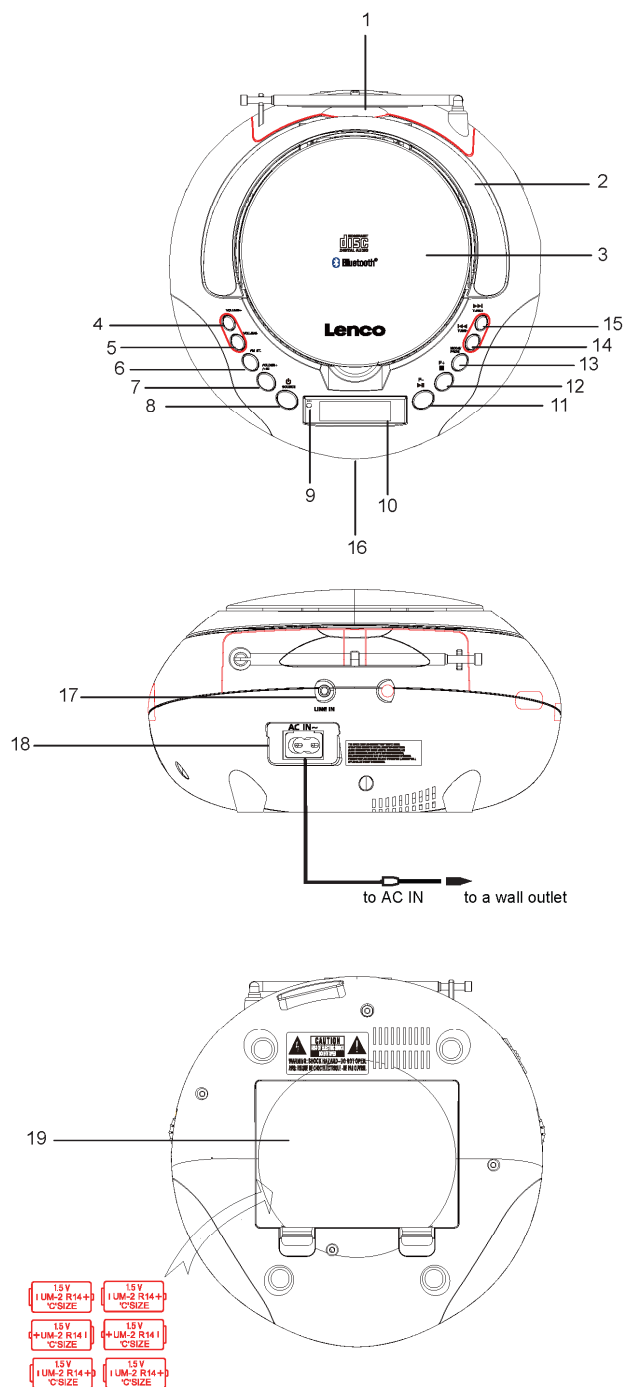
1 cable de alimentación



1 manual de instrucciones



SITUACIÓN DE LOS CONTROLES



EN	ES
to AC IN	A ENTRADA CA
to a wall outlet	A una toma de pared

1. Antena

2. Asa
3. Puerta DEL CD
4. Volumen +
5. Volumen -
6. FM ST.
7. Carpeta +/-10+
8. Fuente/Encendido/apagado
9. Indicador de modo en espera
10. Pantalla LCD
11. Reproducción/Pausa/P-
12. Parada/Emparejamiento Bluetooth /P+
13. Modo/Programa
14. Saltar - / Sintonizar -
15. Saltar + / Sintonizar +
16. Puerto USB
17. Toma de entrada de línea (AUX) 3,5 mm
18. Toma CA para conectar el cable de alimentación que se adjunta.
19. Tapa de las pilas

ALIMENTACIÓN

1. Para encender el dispositivo conecte el cable de alimentación CA en la entrada de alimentación CA situada en la parte posterior de la unidad y a una toma de alimentación estándar.
2. Para la alimentación por pilas, esta unidad requiere 6 pilas tamaño C (No incluidas).
3. Para el modo en espera (*Indicador LED encendido) una vez que ha dispone de alimentación

SELECCIÓN DE UNA FUENTE

Pulse el botón **“POWER”** para conectar el dispositivo.

Pulse el botón **“SOURCE”** para elegir un modo diferente.

- CD
- USB
- Bluetooth
- FM
- AUX

VOLUMEN

Pulse los botones **“VOLUME+/-”** para ajustar el nivel de volumen.

ANTENA

Use la antena para mejorar la recepción de la señal de radio.

1. Extraiga completamente la antena.
2. Ajuste la posición de la antena para obtener la mejor recepción.

CD O MP3/CD

1. Seleccione el modo CD.
2. Coloque un CD o un MP3/CD en la puerta del CD hacia el interior.
3. Lectura y reproducción automática de CD o MP3/CD desde la primera pista
4. Pulse el botón **"PLAY/PAUSE"** para iniciar la reproducción o hacer una pausa temporal en la reproducción
5. Pulse el botón **"SKIP+/-"** para saltar a las pistas anteriores o siguientes
6. Mantenga pulsado el botón **"SKIP+/-"** para buscar el punto de sonido rápidamente
7. Pulse el botón **"STOP"** para detener la reproducción

Notas del CD:

- a. Los CD sucios o rayados puede provocar un problema de saltos de pista. Limpie o sustituya el CD.
- b. Si se produce una pantalla de error o un funcionamiento incorrecto, desconecte el cable CA y retire todas las pilas. Posteriormente, vuelva a conectar la alimentación.

REPRODUCCIÓN DE USB

1. Seleccione el modo USB.
2. Conecte una unidad USB al puerto USB
3. Lectura y reproducción automática del USB desde la primera pista o carpeta
4. Pulse el botón **"PLAY/PAUSE"** para iniciar la reproducción o hacer una pausa temporal en la reproducción
5. Pulse el botón **"SKIP+/-"** para saltar a las pistas anteriores o siguientes
6. Mantenga pulsado el botón **"SKIP+/-"** para buscar el punto de sonido rápidamente
7. Pulse el botón **"STOP"** para detener la reproducción

MODE

Pulse múltiples veces el botón **"MODE"** para elegir las diferentes funciones en modo CD o USB de la manera siguiente:

1. Repetir uno
2. Repetir carpeta (MP3)
3. Repetir todo
4. Aleatorio
5. Reproducción normal

CARPETA:

Pulse el botón "FOLDER" para cambiar a una carpeta diferente.

Pulse el botón "10+" para cambiar las pistas.

REPRODUCCIÓN PROGRAMADA (MODO CD O MP3)

CD = máximo 20 pistas

MP3 = máximo 99 pistas

1. Pulse el botón "**PROG**" (Asegúrese de pulsar antes del botón "**STOP**")
2. Aparecerá parpadeando en la pantalla P01; pulse "**P+/-**" para seleccionar la pista; vuelva a pulsar el botón "**PROG**" para guardar la pista seleccionada.
3. Pulse el botón "**PLAY/PAUSE**" para reproducir la lista de pistas programadas; el indicador "**PROG**" está encendido
4. Pulse el botón "**STOP**" dos veces para cancelar la lista de pistas programadas.

*Repetir una y Repetir todo está disponible para la lista de pistas programadas

BLUETOOTH

1. Selección del modo Bluetooth.
2. Encienda la función Bluetooth de su dispositivo Bluetooth y active la búsqueda de "Lenco SCD-331" de la lista de emparejamiento (*Bt parpadea en la pantalla)
3. Empareje la unidad con su dispositivo. Si se le solicita una contraseña, introduzca "0000".
4. Cuando está conectado correctamente, sonará una breve melodía y continuará en la pantalla "bt" parpadeando.
5. Pulse el botón "**PLAY/PAUSE**" para iniciar la reproducción o hacer una pausa temporal en la reproducción
6. Pulse el botón "**SKIP+/-**" para saltar a las pistas anteriores o siguientes.
7. Mantenga pulsado el botón "**STOP**" para cancelar la recopilación.

RADIO FM

1. Seleccione el modo Radio FM.

2. Pulse el botón **"TUNE +/-"** para seleccionar la emisora que desee.

*Indicador FM Stereo conectado = Se recibe el programa emitido en estéreo

Si la recepción estéreo de su emisora favorita no es Buena, puede pulsar el botón FM ST (6) para cambiar manualmente entre la reproducción de música Estéreo (ST) o Mono (NO). En modo Mono se puede mejorar la recepción para ese canal.

PRESINTONÍA AUTOMÁTICA

1. Mantenga pulsado el botón **"PLAY/PAUSE"** para realizar una "búsqueda completa automática". Los canales con Buena recepción se guardarán como presintonía.
2. Pulse el botón **"PRESET"** o el botón **"SKIP+/-"** para elegir la emisora presintonizada.

PRESINTONIZACIÓN MANUAL

1. Pulse el botón **"TUNE +/-"** para seleccionar la emisora que desee.
2. Pulse el botón **"PROG"** para entrar en el modo de presintonización manual
3. Pulse el botón **"P +/-"** para seleccionar al emisora que desee.
4. Pulse el botón **"PROG"** para confirmarlo.
5. Pulse el botón **"P +/-"** para elegir la emisora presintonizada

AUX

1. Selección del modo Auxiliar.
2. Use un cable de toma de 3,5 mm (no incluido) para conectar un reproductor de audio externo al puerto de entrada de línea situado en la parte posterior del SCD-331
3. Cambie el nivel de volumen de este dispositivo y del dispositivo externo de música de forma separada.

AHORRO DE ENERGÍA

Para cumplir con las exigencias de ahorro energético, este dispositivo cambiará automáticamente al modo en espera cuando no se haya reproducido música durante 10 minutos.

EXPECIFICACIONES TÉCNICAS

Alimentación eléctrica:

CA 230 ~ 50 Hz

CC 9 V 6 PILAS DE 1,5 V TIPO "C"

Rango de frecuencias:

FM 88-108 MHz

Consumo de energía: 13 W

Salida de potencia de audio: 2 x 1 W

Dimensiones (A x D x A): 217 x 220 x 118 mm

Peso: 1 kg

Garantía

Lenco ofrece servicio y garantía en cumplimiento con las leyes de la Unión Europea, lo cual implica que, en caso de que su producto precise ser reparado (tanto durante como después del periodo de garantía), deberá contactar directamente con su distribuidor.

Nota importante: No es posible enviar sus reparaciones directamente a Lenco.

Nota importante: Si la unidad es abierta por un centro de servicio no oficial, la garantía quedará anulada.

Este aparato no es adecuado para el uso profesional. En caso de darle un uso profesional, todas las obligaciones de garantía del fabricante quedarán anuladas.

Exención de responsabilidad

Regularmente se llevan a cabo actualizaciones en el Firmware y en los componentes del hardware. Por esta razón, algunas de las instrucciones, especificaciones e imágenes incluidas en este documento pueden diferir ligeramente respecto a su situación particular. Todos los elementos descritos en esta guía tienen un objetivo de mera ilustración, y pueden no ser de aplicación en su situación particular. No se puede obtener ningún derecho ni derecho legal a partir de la descripción hecha en este manual.

Eliminación del antiguo dispositivo



Este símbolo indica que no deberá deshacerse del producto eléctrico o batería en cuestión junto con los residuos domésticos, en el ámbito de la UE. Para garantizar un tratamiento residual correcto del producto y su batería, por favor, elimínelos cumpliendo con las leyes locales aplicables sobre requisitos para el desecho de equipos eléctricos y baterías. De hacerlo, ayudará a conservar recursos naturales y mejorar los estándares de protección medioambiental en el tratamiento y eliminación de residuos eléctricos (Directiva sobre la Eliminación de Equipos Eléctricos y Electrónicos).

Marca CE

Por la presente, Lenco Benelux B.V., Thermiekstraat 1a, 6361 HB Nuth, Países Bajos, declara que este producto cumple con las exigencias esenciales de la directiva de la UE.

La declaración de conformidad puede consultarse mediante techdoc@commaxxgroup.com



Servicio

Para obtener más información y soporte del departamento técnico, por favor, visite la página web www.lenco.com

Lenco Benelux BV, Thermiekstraat 1a, 6361 HB, Países Bajos.