

Lenco

Model DAR-015



USER MANUAL	Stereo DAB+, FM radio with bluetooth
HANDLEIDING	Stereo DAB+, FM-radio met Bluetooth
BEDIENUNGSANLEITUNG	DAB+ / FM-Stereo-Radio mit Bluetooth
MODE D'EMPLOI	Radio FM DAB+ stéréo avec Bluetooth
MANUAL DEL USUARIO	Radio FM, DAB+ estéreo con Bluetooth

Index:

English	Error! Bookmark not defined.
Nederlands	133
Deutsch	24
Français	35
Español.....	46

CAUTION:

Usage of controls or adjustments or performance of procedures other than those specified herein may result in hazardous radiation exposure.

This unit should not be adjusted or repaired by anyone except qualified service personnel.

PRECAUTIONS BEFORE USE

KEEP THESE INSTRUCTIONS IN MIND:

1. Do not use this device near water.
2. Clean only with a slightly damp cloth.
3. Do not cover or block any ventilation openings. When placing the device on a shelf, leave 5 cm (2") free space around the whole device.
4. Install in accordance with the supplied user manual.
5. Don't step on or pinch the power adaptor. Be very careful, particularly near the plugs and the cable's exit point. Do not place heavy items on the power adaptor, which may damage it. Keep the entire device out of children's reach! When playing with the power cable, they can seriously injure themselves.
6. Unplug this device during lightning storms or when unused for a long period.
7. Keep the device away from heat sources such as radiators, heaters, stoves, candles and other heat-generating products.
8. Avoid using the device near strong magnetic fields.
9. Electrostatic discharge can disturb normal usage of this device. If so, simply reset and restart the device following the instruction manual. During file transmission, please handle with care and operate in a static-free environment.
10. Warning! Never insert an object into the product through the vents or openings. High voltage flows through the product and inserting an object can cause electric shock and/or short circuit internal parts. For the same reason, do not spill water or liquid on the product.
11. Do not use in wet or moist areas such as bathrooms, steamy kitchens or near swimming pools.
12. Do not use this device when condensation may occur.
13. Although this device is manufactured with the utmost care and checked several times before leaving the factory, it is still possible that problems may occur, as with all electrical appliances. If you notice smoke, an excessive build-up of heat or any other unexpected phenomena, you should disconnect the plug from the main power socket immediately.
14. This device must be well ventilated at all time!
15. This device must operate on a power source as specified on the specification label. If you are not sure of the type of power supply used in your home, consult your dealer or local power company.
16. The socket outlet must be installed near the equipment and must be easily accessible.
17. Do not overload ac outlets or extension cords. Overloading can cause fire or electric shock.
18. Devices with class 1 construction should be connected to a main socket outlet with a protective earthed connection.
19. Devices with class 2 construction do not require a earthed connection.
20. Keep away from rodents. Rodents enjoy biting on power cords.
21. Always hold the plug when pulling it out of the main supply socket. Do not pull the power cord. This can cause a short circuit.

22. Avoid placing the device on any surfaces that may be subject to vibrations or shocks.
23. To protect the device during a thunderstorm, unplug the ac power adaptor.
24. When the device is not in use for long periods, unplug the ac power adaptor for safety reasons.
25. To clean the device, use a soft dry cloth. Do not use solvents or petrol based fluids. To remove severe stains, you may use a damp cloth with dilute detergent.
26. The supplier is not responsible for damage or lost data caused by malfunction, misuse, modification of the device or battery replacement.
27. Do not interrupt the connection when the device is formatting or transferring files. Otherwise, data may be corrupted or lost.
28. The usb memory stick should be plugged into the unit directly. Don't use an usb extension cable because it can cause interference resulting in failing of data.
29. The apparatus shall not be exposed to dripping or splashing and make sure that no objects filled with liquids, such as vases, are placed on or near the apparatus.
30. To completely disconnect the power input, the mains plug of the apparatus shall be disconnected from the mains, as the disconnect device is the mains plug of apparatus.
31. The mains plug of the apparatus should not be obstructed or should be easily accessed during intended use.
32. Battery shall not be exposed to excessive heat such as sunshine, fire or the like.
33. Minimum distance of 10cm around the apparatus is needed for sufficient ventilations.
34. The ventilation should not be impeded by covering the ventilation openings with items such as newspapers, table-cloths, curtains etc.
35. No naked flame sources such as lighted candles should be placed on the apparatus.
36. Attention should be drawn to the environmental aspects of battery disposal.
37. The apparatus can only be used in moderate extremely cold or climates warm environments should be avoided.
38. The rating label has been marked on the bottom panel of the apparatus.
39. This device is not intended for use by people (including children) with physical, sensory or mental disabilities, or a lack of experience and knowledge, unless they're under supervision or have received instructions about the correct use of the device by the person who is responsible for their safety.
40. This product is intended for household use only and not for commercial or industrial use.
41. Make sure the unit is adjusted to a stable position. Damage caused by using this product in an unstable position or by failure to follow any other warning or precaution contained within this user manual will not be covered by warranty.
42. Never remove the casing of this apparatus.
43. Never place this apparatus on other electrical equipment.
44. Do not use or store this product in a place where it is subject to direct sunlight, heat, excessive dust or vibration.
45. Do not clean this product with water or other liquids.
46. Do not block or cover the slots and holes in the product.
47. Do not push foreign objects into the slots or holes in the product.
48. Do not allow children access to plastic bags.

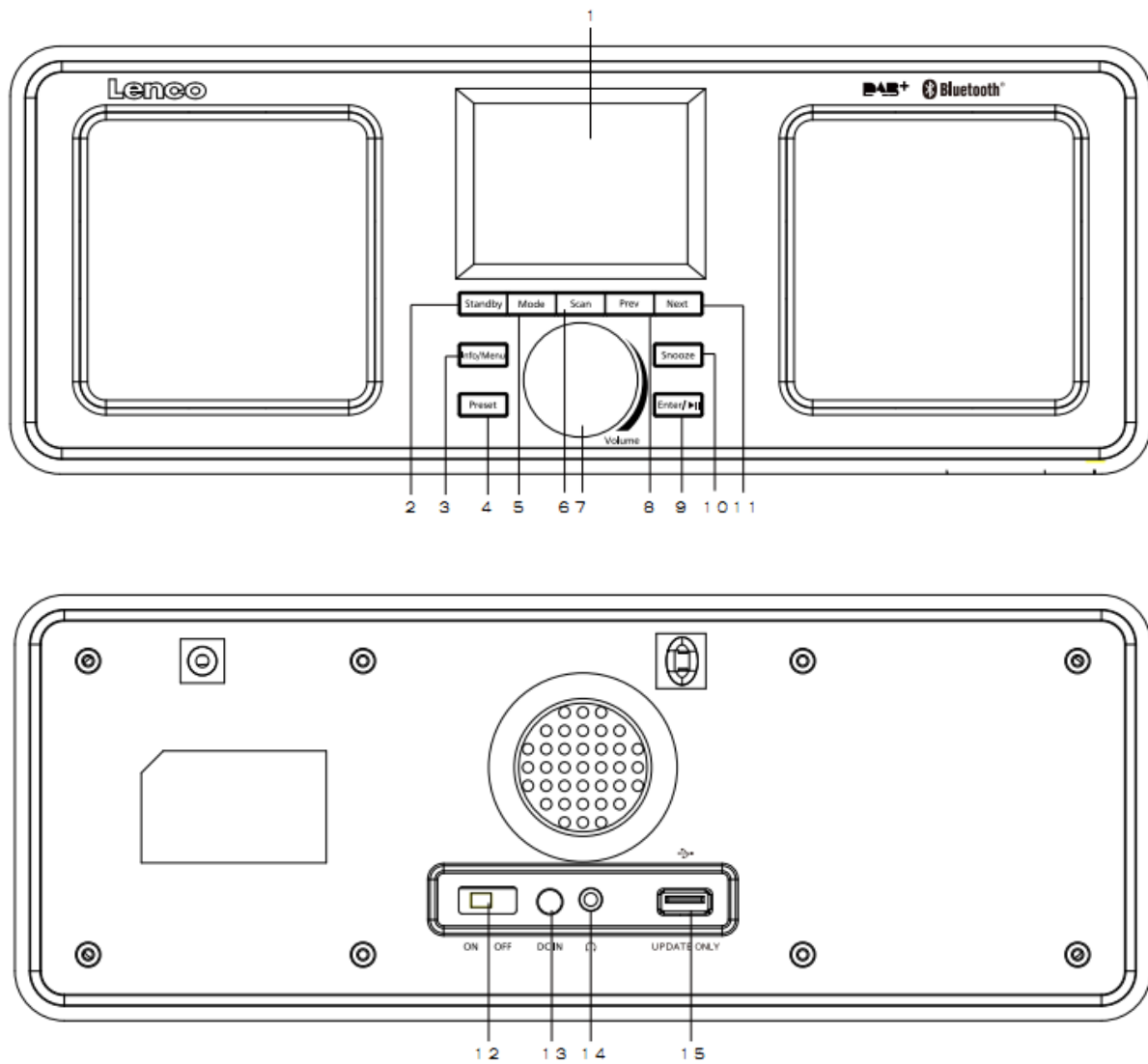
49. Please check that the voltage on the type plate of your appliance corresponds with your house electricity supply (type plate is located on the back of the unit).
50. Protect the power cord from being walked on or pinched, particularly at plugs, convenience receptacles, and the point where they exit from the apparatus.
51. Only use attachments/accessories specified by the manufacturer.
52. Refer all servicing to qualified service personnel. Servicing is required when the apparatus has been damaged in any way, such as the power supply cord or the plug, when liquid has been spilled or objects have fallen into the apparatus, when the apparatus has been exposed to rain or moisture, does not operate normally, or has been dropped.
53. Do not use a damaged power cord or plug or a loose outlet. Doing so may result in fire or electric shock.

Warning: prolonged exposure to loud sounds from personal music players may lead to temporary or permanent hearing loss.

INSTALLATION

- Unpack all parts and remove protective material.
- Do not connect the unit to the mains before checking the mains voltage and before all other connections have been made.
- Do not cover any vents and make sure that there is a space of several centimeters around the unit for ventilation.

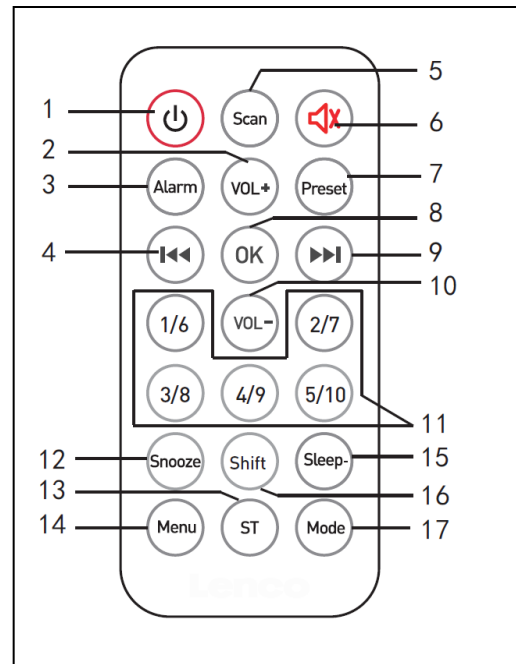
Product Overview



1. LCD Display
2. Standby Button
3. Info/Menu Button
4. Preset Button
5. Mode Button
6. Scan Button
7. Vol+/Vol- Knob
8. Previous Button
9. Enter/Play/Pause Button
10. Snooze Button
11. Next Button
12. ON/OFF Switch
13. DC IN Socket
14. Earphone Socket
15. SW Update Socket

Remote Control

1. Standby button
2. Vol+ button
3. Alarm button
4. Previous button
5. Scan button
6. Mute button
7. Preset button
8. OK button
9. Next button
10. Vol- button
11. Preset numbers
12. Snooze button
13. Stereo button
14. Menu button
15. Sleep button
16. Preset shift button
17. Mode button



Instructions

Basic operations

Switch on your radio for the first time

Connect the radio with Power Adaptor provided.

Plug the other end into power socket.

Switch the ON/OFF switch to ON position, the unit will display "Welcome to digital Radio".

Press the Standby button to turn on.

Selecting the modes

When the radio is turned on, press the Mode button repeatedly to switch between DAB+ and FM modes.

DAB+ operation

When you first select DAB+ radio, press Scan button it will search for and store all available DAB+ stations. Once Auto search is completed, your radio will select the first station tuned.

Selecting between stations. With your radio on:

Press the Mode button to select DAB+ mode.

Press the Prev or Next button to navigate through the list of stations.

Press Enter button to tune to the station currently shown on the display.

You may adjust volume by turning Volume to left or right.

FM operation

With your radio on, press the Mode button to select FM mode.

Press the Prev or Next button to manually tune to specific frequencies by 0.05MHz per step.

The radio also includes the scan feature of FM, allowing you to automatically tune to FM stations.

Press the Scan button to automatically search for the next available radio station. When a station is found it will be automatically played.

You can search for stations in the opposite direction by pressing and holding the Scan button.

Storing stations as presets

Radio can store 10 stations as presets in both DAB+ and FM mode. To store a preset:

Tune to the station you like, press and hold the Preset button, then using the Prev or Next button to select desired preset number. Then, press and hold the preset button for 2 seconds, display indicate Preset Store< xx: (Empty)>, now select with Prev or Next button the desired preset for store.

Press the Enter button to store the station. The message “Preset xx stored” will appear on the display.

Playing stations saved as presets

To play a preset station:

Select the band (DAB+ or FM) of the station by pressing the Mode button.

Press the Preset button to recall the preset station, then using the Prev or Next button to browse through your presets and press the Enter button to confirm.

Setting the time automatically

When you first turn on the radio it will automatically synchronize to the local time while searching for DAB+ stations. If the time hasn't set itself try to change the location of the device for a better signal.

System Settings

With the unit on, press and hold the Info/Menu button. This will open the “Set Menu”.

Press the Prev or Next button to select your desired Sub-option.

Setting the Time/Date

Press and hold Info/Menu button, the <Time/Date> will be shown on screen, press Enter button to enter time setting mode.

The hours will flash. Press the Prev or Next button to set the hour. Press the Enter button to confirm.

Repeat the last two steps to set the minutes, year, month and date.

System Version

You can check the software version number by pressing and holding the Info/Menu button. Press the Prev or Next button until <System Version> is shown on the screen, press the Enter button to confirm.

Resetting the radio

Resetting the radio will delete all the tuned DAB+ stations and all the preset memory stations in FM and DAB+ modes. To reset the radio:

Press and hold the Info/Menu button.

Press the Prev or Next button until <Factory reset> is shown on screen, press the Enter button and <Yes> or <No> is shown on the screen. Use Prev or Next button to select <Yes>.

Press the Enter button and radio will be reset.

Sleep setting

Press and hold the Info/Menu button.

Press the Prev or Next button until <Sleep Set> is shown on screen, press the Enter button.

Press the Prev or Next button to select either OFF-120-90-60-45-30-15-5 minutes.

Press the Enter button to confirm.

Using the alarm

Alarm Setting

With radio on, press and hold the Info/Menu button.

Then press the Prev or Next button to choose Alarm 1 to ON position, press Enter button to confirm.

The hours will flash, use the Prev or Next button to select hour. Press Enter button to confirm.

The mins will flash, use the Prev or Next button to select the minutes. Press Enter button to confirm.

The Volume digit will flash, use the Prev or Next button select the Volume. Press Enter button to confirm.

The mode of Alarm will flash, use the Prev or Next button select the Alarm source: Alarm/DAB/FM. Press Enter button to confirm.

With radio on, press and hold the Info/Menu button.

Then press the Prev or Next button to choose Alarm 2 to ON position, press Enter button to confirm.

The setting procedure is the same as the "ALARM1".

Deactivate the alarm

Press and hold the Info/Menu button, then select the alarm you wish to turn off using the Prev or Next button to choose the Alarm to OFF position.

Press Enter button. The alarm will be deactivated.

Turning off the alarm

Press the Standby button to turn off the alarm when the alarm is sounding.

NOTE: The alarm will keep ringing for 60 minutes if you do not turn it off when it is sounding.

Snooze Function

When the alarm is sounding, press the Snooze button to turn off the alarm temporarily. The alarm will be delayed for 9 mins and then come on again.

Station information on DAB mode

Every time you press the Info/Menu button in the DAB mode, the display will cycle through the following display modes:

Dynamic Label Segment (DLS): Displays scrolling text information supplied by the broadcaster.

Signal Strength: Displays a signal bar with the current station strength.

Bit Error Rate (BER): Provides details of the signal error rate.

Channel Frequency: Displays the station's transmission channel number and frequency.

Program Type (PTY): Shows the type and description of the program provided by the DAB station.

Time&Date: Displays the time and date information provided by the broadcaster.

Bit Rate: The data rate of which the signal is being transmitted.

Station information on FM mode

Every time you press the Info/Menu button in the FM mode, the display will cycle through the following display modes:

Program type: Displays description of the program provided by the radio station.

Signal Strength: Displays a signal bar with the current station strength.

Time and Date: Displays the time and date information provided by the broadcaster.

Frequency: Displays the station's transmission frequency.

Audio Type: Displays the audio type of the current station (Stereo or Mono).

Radio Text: Displays scrolling text information supplied by the broadcaster.

Note: To switch between mono and stereo by pressing the Enter button repeatedly.

Retuning your DAB+/FM Radio

You can retune your radio stations to store new stations or tune to a new region. Your preset stations will remain stored when you perform a full scan retune. In DAB mode:

Press the Scan button to perform a full scan.

Progress will be indicated on the display.

When tuning is complete, the radio will play the first listed station or return to the last station played.

Using the Headphones

You can listen to your DAB/FM radio using headphones, just plug the 3.5mm jack into the back of your device in the headphone jack. Control the volume by using the Volume knob.

Bluetooth

To choose your mode, press through your choices using the 'Mode' button. The choices will be displayed on the front screen.

Turn on Bluetooth on your phone and 'Lenco DAR-015' will appear. Click on this to connect. When the unit makes a short sound, it has successfully connected.

To choose music you will need to choose the album or playlist from your phone, but once selected you can then use the Prev or Next button to select previous or next tracks.

To pause the music playback, please press play/pause button; to resume music playback, press play/pause button again.

The operational range between the unit and a Bluetooth device is approximately 10 meters, without any objects in the way.

FAQs

Problem	Solution
No Power	Check that the system is connected to a working mains outlet. Check that the DC power adaptor is properly connected to the DC in on the radio.
No sound	Check that the volume control is not at minimum setting.
Poor reception	Adjust the location of the antenna for best signal reception.
Function disturbed	If none of the above solution work, try switching off and unplugging your Radio.

Specifications

Power supply	AC 100-240V
Frequency Ranges	FM 87.5-108MHz DAB 174-240MHz
Output connector	3.5mm earphone socket
Aerial	Telescopic antenna
Output power	2 x 5W
Max. Power consumption	18W
Power supply adaptor(For EU only)	
Adaptor Manufacturer	Dongguan Yuan Shuai Electronic Co., Ltd
Input	AC 100-240V~50/60Hz, 0.65A Max
Output	DC 9V/2A
Adaptor Model Number	YeS04S-0900200VH
Use only original AC adaptor	
Use only the power supply listed on the user instructions	

Guarantee

Lenco offers service and warranty in accordance with the European law, which means that in case of repairs (both during and after the warranty period) you should contact your local dealer.

Important note: It is not possible to send products that need repairs to Lenco directly.

Important note: If this unit is opened or accessed by a non-official service center in any way, the warranty expires.

This device is not suitable for professional use. In case of professional use, all warranty obligations of the manufacturer will be voided.

Disclaimer

Updates to Firmware and/or hardware components are made regularly. Therefore some of the instruction, specifications and pictures in this documentation may differ slightly from your particular situation. All items described in this guide for illustration purposes only and may not apply to particular situation. No legal right or entitlements may be obtained from the description made in this manual.

Disposal of the Old Device



This symbol indicates that the relevant electrical product or battery should not be disposed of as general household waste in Europe. To ensure the correct waste treatment of the product and battery, please dispose them in accordance to any applicable local laws of requirement for disposal of electrical equipment or batteries. In so doing, you will help to conserve natural resources and improve standards of environmental protection in treatment and disposal of electrical waste (Waste Electrical and Electronic Equipment Directive).

Service

For more information and helpdesk support, please visit www.lenco.com
Lenco Benelux BV, Thermiekstraat 1a, 6361 HB, Nuth, The Netherlands.

LET OP!

Het gebruik van bediening of instellingen of het uitvoeren van procedures anders dan zoals zij hierin staan beschreven, kan leiden tot blootstelling aan gevaarlijke straling.

Dit apparaat mag alleen worden afgesteld of gerepareerd door gekwalificeerd onderhoudspersoneel.

VOORZORGSMAATREGELEN

1. Niet gebruiken in de buurt van water.
2. Alleen schoonmaken met een licht bevochtigde doek.
3. Blokkeer de ventilatieopeningen niet. Houd ten minste 5 cm (2") ruimte vrij rond het gehele apparaat als het op een plank wordt geplaatst.
4. Installeer in overeenstemming met de meegeleverde handleiding.
5. Bescherm het netsnoer, zorg ervoor dat er niet op gestapt wordt en dat het niet geplet wordt, vooral bij de stekker en het punt waar de kabel het apparaat verlaat. Plaats geen zware voorwerpen, die het netsnoer kunnen beschadigen, op het netsnoer. Houd het gehele apparaat buiten bereik van kinderen! Zij kunnen zichzelf ernstig verwonden wanneer ze met het netsnoer spelen.
6. Haal de stekker uit het stopcontact tijdens onweer of bij lange perioden van niet-gebruik.
7. Houd het apparaat uit de buurt van warmtebronnen zoals radiatoren, kachels, fornuizen, kaarsen en andere producten die warmte genereren.
8. Gebruik het apparaat niet in de buurt van sterke magnetische velden.
9. De normale werking van het product kan worden verstoord door elektrostatische ontlading. Als dit het geval is, reset het apparaat en start het opnieuw op volgens de instructies in de handleiding. Ga tijdens het overdragen van bestanden voorzichtig te werk en gebruik het apparaat in een statisch-vrije omgeving.
10. Waarschuwing! Steek nooit voorwerpen door de ventilatieopeningen in het product. Er stromen hoge spanningen in het product en een voorwerp in het product steken kan leiden tot elektrische schokken en/of kortsluiting door dezelfde reden, mors geen water of vloeistoffen op het product.
11. Gebruik het product niet in natte of vochtige omgevingen, zoals badkamers, stomige keukens of in de buurt van zwembaden.
12. Gebruik het apparaat niet als er condens kan ontstaan.
13. Dit product is geproduceerd volgens alle geldende veiligheidsnormen. De volgende veiligheidstips moeten de gebruikers beschermen tegen onzorgvuldig gebruik en de gevaren die verbonden zijn met een dergelijk gebruik.
14. Hoewel het apparaat zorgvuldig vervaardigd is en uitvoerig is gecontroleerd alvorens het de fabriek verlaat, geldt net als bij alle elektrische apparaten dat het mogelijk is dat er zich een probleem ontwikkelt. Als u rook, een te grote ophoping van warmte of andere onverwachte verschijnselen opmerkt, dan moet u direct de stekker uit het stopcontact halen.
15. Zorg ervoor dat het apparaat voldoende wordt geventileerd!

Het apparaat moet worden aangesloten op een voedingsbron die overeenkomt met de informatie op het de specificatielabel. Als u niet zeker bent van het type stroomvoorziening in uw huis, neem dan contact op met uw dealer of het plaatselijke elektriciteitsbedrijf.

16. Het stopcontact moet geïnstalleerd zijn in de buurt van het apparaat en eenvoudig bereikbaar zijn.
17. Overbelast stopcontacten of verlengsnoeren niet, dit kan leiden tot brand of elektrische schokken.
18. Klasse 1-apparaten moet worden aangesloten op een stopcontact met een geaarde aansluiting.
19. Apparaten met een klasse ii adapter hebben geen geaarde aansluiting nodig.
20. Uit de buurt van knaagdieren houden. Knaagdieren vinden het leuk om in snoeren te bijten.
21. Trek altijd aan de stekker wanneer u de stekker uit het stopcontact haalt. Trek niet aan het netsnoer, dit kan kortsluiting veroorzaken.
22. Plaats het apparaat niet op oppervlakken die kunnen worden onderworpen aan trillingen of schokken.
23. Haal tijdens onweer de stekker uit het stopcontact om het apparaat te beschermen.
24. Haal de stekker voor veiligheidsredenen uit het stopcontact als het apparaat lang niet wordt gebruikt.
25. Gebruik een zachte droge doek om dit apparaat te reinigen. Gebruik geen oplosmiddelen of vloeistoffen op basis van benzine. U kunt een vochtige doek met verdund afwasmiddel gebruiken voor hardnekkige vlekken.
26. Lenco is niet verantwoordelijk voor schade of het verlies van gegevens door storingen, verkeerd gebruik of wijzigingen aan het apparaat.
27. Verbreek de verbinding niet wanneer het apparaat wordt geformatteerd of tijdens de overdracht van bestanden. Als u dit toch doet, dan kunnen gegevens beschadigd raken of verloren gaan.
28. Het apparaat mag niet worden blootgesteld aan druppelend of opspattend water en er mogen geen voorwerpen gevuld met vloeistoffen, zoals vazen, op of in de buurt van het apparaat worden geplaatst.
29. Om de stroom volledig af te sluiten, moet de stekker van hetm apparaat uit het stopcontact worden gehaald. De stekker is in feite de schakelaarvoorziening van het apparaat.
30. De stekker van het apparaat mag niet worden geblokkeerd of moet gemakkelijk bereikbaar zijn als het apparaat in bedrijf is.
31. Batterijen mogen niet aan overmatige hitte, zoals zonlicht, open vuur e.d., worden blootgesteld.
32. Zorg voor een afstand van tenminste 10 cm rondom het apparaat voor voldoende ventilatie.
33. De ventilatie mag niet worden gehinderd door het bedekken van de ventilatieopeningen met voorwerpen zoals kranten, tafelkleden, gordijnen etc.
34. Er mag geen open vuur, zoals brandende kaarsen, op het apparaat worden geplaatst.
35. Aandacht voor het milieu is nodig bij het verwijderen van de batterijen.
36. Gebruik het apparaat alleen in een gematigd klimaat; extreem koude en warme omgevingen moeten worden vermeden
37. Het typeplaatje vindt u aan de onderkant van het apparaat.

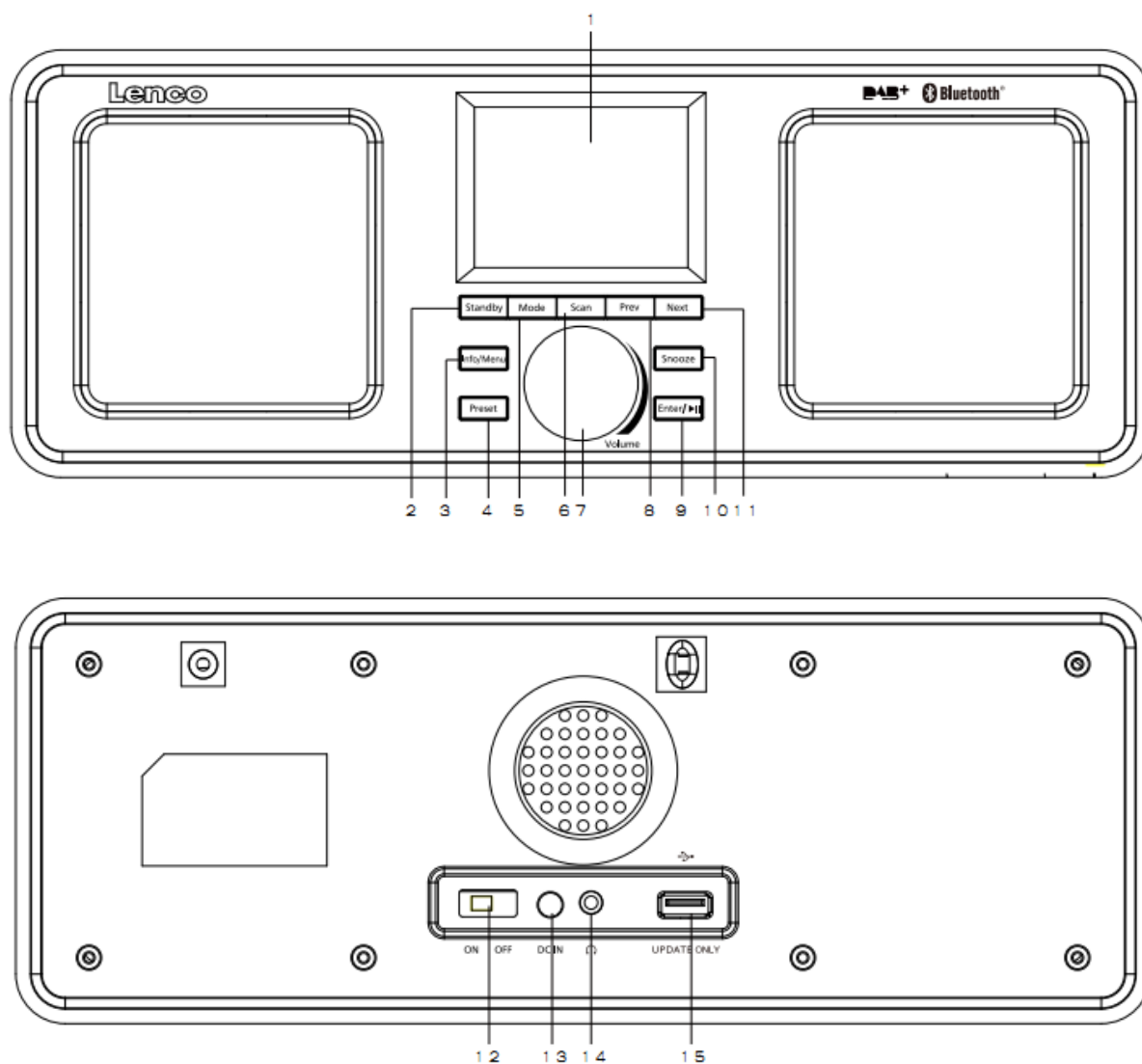
38. Dit apparaat is niet bedoeld voor gebruik door personen (inclusief kinderen) met verminderde lichamelijke, zintuiglijke of geestelijke vermogens, of gebrek aan ervaring en kennis, tenzij zij onder toezicht staan of instructies over het gebruik van het apparaat hebben ontvangen door een persoon die verantwoordelijk is voor hun veiligheid.
39. Dit product is alleen voor huishoudelijk gebruik bedoeld en niet voor commercieel of industrieel gebruik.
40. Verzekeer u ervan dat het apparaat in een stabiele positie staat opgesteld. Schade, veroorzaakt door het gebruik van dit product in een onstabiele positie, of door het niet naleven van waarschuwingen of voorzorgsmaatregelen genoemd in deze handleiding, valt niet onder de garantie.
41. Verwijder nooit de behuizing van dit apparaat.
42. Plaats dit apparaat nooit op een ander elektrisch apparaat.
43. Dit product niet gebruiken of opslaan op plaatsen waar het wordt blootgesteld aan direct zonlicht, hitte, buitensporig veel stof of trillingen.
44. Reinig dit product niet met water of andere vloeistoffen.
45. Bedek of blokkeer de gleuven en de gaten in het product niet.
46. Stop geen vreemde voorwerpen in de gleuven of gaten van het product.
47. Geef kinderen geen gelegenheid in aanraking met plastic zakken te komen.
48. Controleer of de spanning op het specificatieplaatje van uw apparaat overeenkomt met het lichtnet in uw huis (specificatieplaatje is te vinden op de achterzijde van het apparaat).
49. Zorg ervoor dat niemand op de voedingskabel kan gaan staan of dat de kabel kan worden ingedrukt, voornamelijk bij stekkers, stopcontacten en het punt waar kabels uit het apparaat komen.
50. Gebruik uitsluitend uitbreidingen/accessoires gespecificeerd door de fabrikant.
51. Laat alle reparaties over aan gekwalificeerd onderhoudspersoneel. Reparatie is vereist wanneer het apparaat op enige wijze beschadigd is geraakt, bijvoorbeeld een beschadigde voedingskabel of stekker, vloeistof of voorwerpen zijn in het apparaat terechtgekomen, het apparaat is blootgesteld aan regen of vocht, het apparaat werkt abnormaal of is gevallen.
52. Gebruik nooit een beschadigde voedingskabel of stekker of een los stopcontact. Dit vormt namelijk een risico op brand of elektrische schokken.
53. Usb-sticks moeten rechtstreeks in het apparaat worden gestoken. Gebruik geen usb-verlengkabels omdat dit kan leiden tot het verlies van gegevens en storingen.

Waarschuwing: langdurige blootstelling aan harde geluiden van persoonlijke muzikspelers kan leiden tot tijdelijk of permanent gehoorverlies.

INSTALLATIE

- Neem alle onderdelen uit de verpakking en verwijder de beschermende materialen.
- Controleer het voltage van uw elektriciteit voor u het apparaat op stroom aansluit en zorg dat alle andere verbindingen eerst gedaan zijn.
- Laat de ventilatiegaten vrij en zorg voor een ruimte van een aantal centimeters rondom het apparaat voor goede ventilatie.

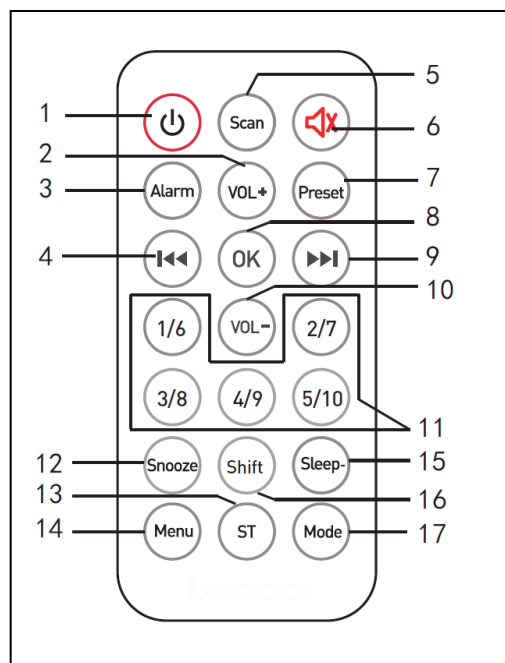
Productoverzicht



1. LCD-Scherm
2. Stand-by-toets
3. Info/Menu-toets
4. Voorkeuzetoets
5. Modus-toets
6. Scantoets
7. Vol+/Vol- toets
8. Vorige-toets
9. Enter/Start/Pauzetoets
10. Sluimertoets
11. Volgende-toets
12. Aan/uit-schakelaar
13. DC IN Aansluiting
14. Aansluiting oortelefoon
15. SW Update Aansluiting

Afstandsbediening

1. Stand-by-toets
2. Vol+ toets
3. Alarmtoets
4. Vorige-toets
5. Scantoets
6. Demptoets
7. Voorkeuzetoets
8. OK-toets
9. Volgende-toets
10. Vol- toets
11. Presetnummers
12. Sluimertoets
13. Stereotoets
14. Menu-toets
15. Slaap-toets
16. Wisseltoets presets
17. Modus-toets



Instructies

Basishandelingen

Uw radio voor de eerste keer gebruiken

Verbind uw radio met de meegeleverde stroomadapter.

Doe het andere uiteinde in uw stopcontact.

Zet de Aan/uit-schakelaar op ON en het apparaat zal het bericht "Welcome to digital Radio" (Welkom bij de digitale radio) weergeven.

Druk op de toets Standby om in te schakelen.

Modus selecteren

Druk herhaaldelijk op de Mode-toets wanneer de radio aan staat om te schakelen tussen DAB+ en FM modi.

DAB+ bediening

Wanneer u de DAB+ radio voor het eerst selecteert, druk kan op de Scantoets om naar alle beschikbare DAB+ stations te zoeken en deze op te slaan. Nadat de automatische scan eenmaal is voltooid, dan zal uw radio het eerste afgestemde station selecteren.

Stations selecteren. Wanneer uw radio aan staat:

Druk op de Mode-toets om de DAB+ modus te selecteren.

Druk op de Vorige- of Volgende-toets om te navigeren door de lijst met stations.

Druk op de Enter-toets om naar het station te gaan die momenteel op het scherm weergegeven wordt.

U kunt het volume aanpassen door de Volume-knop naar links of rechts te draaien.

FM-bediening

Druk wanneer uw radio aan staat op de Mode-toets om de FM modus te selecteren.

Druk op de Vorige- of Volgende-toets om handmatig een specifieke frequentie te kiezen met 0,05MHz per keer.

De radio heeft ook een scanfunctie voor FM, waardoor u automatisch naar FM stations kunt zoeken.

Druk op de Scantoets om automatisch naar het volgende beschikbare radiostation te zoeken. Wanneer een station gevonden wordt, dan zal deze automatisch afgespeeld worden.

U kunt naar stations in de tegenovergestelde richting zoeken, door de Scantoets ingedrukt te houden.

Stations als voorkeuzes opslaan

De radio kan 10 stations als voorkeuzes opslaan in zowel DAB+ als FM modus. Om een voorkeuze op te slaan:

Ga naar het station dat u wilt opslaan, houdt de Preset-toets ingedrukt en gebruik de Vorige- of Volgende-toets om het gewenste voorkeuzenummer te selecteren. Houd vervolgens de toets Preset 2 seconden ingedrukt en de display zal "Preset Store< xx: (leeg)>" (preset opslaan) weergeven. Gebruik nu de toets Vorige of Volgende om de gewenste geheugenplek te selecteren waar u het station wilt opslaan.

Druk op de Entertoets om het station op te slaan. De melding "Preset xx stored" (Preset xx opgeslagen) zal op de display verschijnen.

Voorkeuzestations afspelen

Om een voorkeuzestation af te spelen:

Selecteer de bandbreedte (DAB+ of FM) van het station, door op de Mode-toets te drukken.

Druk op de Preset-toets om de opgeslagen stations naar voren te halen, gebruik vervolgens de Vorige- of Volgende-toets om door uw voorkeuzes te bladeren en druk op de Enter-toets om uw keuze te bevestigen.

De tijd automatisch instellen

Wanneer u de radio voor de eerste keer aanzet, zal hij automatisch synchroniseren met de lokale tijd tijdens het zoeken naar DAB+ stations. Probeer de locatie van het apparaat te veranderen als de tijd niet vanzelf ingesteld is, zodat u een beter signaal krijgt.

Systeeminstellingen

Met het apparaat ingeschakeld, houd de toets Info/Menu ingedrukt. Dit zal het "Instellingsmenu" openen.

Druk op de Vorige- of Volgende-toets om uw gewenste Sub-optie te selecteren.

Instellen van tijd/datum

Houd de Info/Menu-toets ingedrukt, de <Time/Date> (Tijd/Datum) zal weergegeven worden op het scherm en druk vervolgens op de Enter-toets om te beginnen met het aanpassen van de tijdsinstellingen.

De uren zullen knipperen. Druk op de Vorige- of Volgende-toets om de uren in te stellen. Druk op de knop Enter om te bevestigen.

Herhaal de laatste twee stappen om de minuten, het jaar, de maand en de datum in te stellen.

Systeemversie

U kunt het versienummer van de software controleren door de toets Info/Menu ingedrukt te houden. Druk op de toets Vorige of Volgende totdat de systeemversie op het scherm verschijnt en druk ter bevestiging op de Entertoets.

De radio opnieuw instellen

De radio opnieuw instellen zal alle opgeslagen DAB+ stations en alle opgeslagen FM en DAB+ voorkeuzestations verwijderen. Om de radio opnieuw in te stellen:

Houd de INFO/MENU-toets ingedrukt.

Druk op de Vorige- of Volgende-toets totdat <Factory reset> (Fabrieksreset) op het scherm verschijnt, druk op de Enter-toets en <Yes> (Ja) of <No> (NEE) verschijnt op het scherm. Gebruik de Vorige- of Volgende-toets om <Yes> (Ja) te selecteren.

Druk op de Entertoets en de radio zal worden gereset.

Slaapstandinstelling

Houd de INFO/MENU-toets ingedrukt.

Druk op de Vorige- of Volgende-toets totdat <Sleep Set> (Slaapstand instellen) op het scherm verschijnt en druk vervolgens op de Enter-toets.

Druk op de Vorige- of Volgende-toets om te kiezen uit OFF-120-90-60-45-30-15-5 minuten.

Druk op de knop Enter om te bevestigen.

Het alarm gebruiken

Alarminstelling

Houd de Info/Menu-toets ingedrukt terwijl de radio aan staat.

Druk vervolgens op de Vorige- of Volgende-toets om Alarm 1 op ON (AAN) te zetten en druk op de knop Enter om uw keuze te bevestigen.

De uren zullen knipperen, gebruik de Vorige- of Volgende-toets om de uren te selecteren. Druk op de knop Enter om te bevestigen.

De minuten zullen knipperen, gebruik de Vorige- of Volgende-toets om de minuten te selecteren. Druk op de knop Enter om te bevestigen.

Het Volume-nummer zal knipperen, gebruik de Vorige- of Volgende-toets om het volume te selecteren. Druk op de knop Enter om te bevestigen.

De alarmmodus zal knipperen en u kunt met de toets Vorige of Volgende de alarmbron kiezen: Alarm/DAB/FM. Druk op de knop Enter om te bevestigen.

Houd de Info/Menu-toets ingedrukt terwijl de radio aan staat.

Druk vervolgens op de Vorige- of Volgende-toets om Alarm 2 op ON (AAN) te zetten en druk op de knop Enter om uw keuze te bevestigen.

Deze instellingsprocedure is hetzelfde als die voor "ALARM1".

Het alarm deactiveren

Houd de Info/Menu-toets ingedrukt en selecteer vervolgens het alarm dat u wilt deactiveren, waarbij u de Vorige- of Volgende-toets gebruikt om het Alarm op OFF (UIT) te zetten.

Druk op de Entertoets. Het alarm zal worden gedeactiveerd.

Het uitschakelen van het alarm

Druk op de Stand-by-toets om het alarm uit te schakelen wanneer deze afgaat.

OPMERKING: Het alarm zal 60 minuten lang blijven klinken als u het alarm niet zelf uitschakelt.

Sluimerfunctie

Druk op de Snooze-toets wanneer het alarm afgaat om deze tijdelijk uit te schakelen. Het alarm zal 9 minuten uitgesteld worden en vervolgens weer afgaan.

Zenderinformatie in de DAB-modus

Elke keer wanneer u op de Info/Menu-toets drukt in de DAB modus, zal het scherm door de volgende schermmodi bladeren:

Dynamische berichtenindeling (DLS): Toont schuivende tekstinformatie die door de zender wordt verstrekt.

Signaalsterkte: Geeft een signaalbalk aan met de signaalsterkte van het huidige radiostation.

Bitfoutenkans (BER): Geeft informatie over signaalfouten.

Kanaalfrequentie: Geeft het nummer en de frequentie van het transmissiekanaal weer.

Soort programma (PTY): Geeft het type en de beschrijving weer van het programma op de DAB-zender.

Tijd en datum: Geeft de tijd en datum weer die door de zender wordt gegeven.

Bitsnelheid: De datasnelheid waar het signaal mee verstuurd wordt.

Zenderinformatie in de FM-modus

Elke keer wanneer u op de Info/Menu-toets drukt in de FM modus, zal het scherm door de volgende schermmodi bladeren:

Soort programma: Geeft een omschrijving weer over het programma van het radiostation.

Signaalsterkte: Geeft een signaalbalk aan met de signaalsterkte van het huidige radiostation.

Tijd en datum: Geeft de tijd en datum weer die door de zender wordt gegeven.

Frequentie: Geeft de zendfrequentie van de zender weer.

Soort audio: Geeft de soort audio van het huidige radiostation weer (Stereo of Mono).

Radiotekst: Toont schuivende tekstinformatie die door de zender wordt verstrekt.

Opmerking: U kunt schakelen tussen mono en stereo door herhaaldelijk op de Enter-toets te drukken.

Uw DAB+/FM Radio opnieuw afstellen

U kunt opnieuw zoeken naar nieuwe beschikbare radiostations of naar stations in een nieuw gebied. Uw voorkeuzestations zullen bewaard blijven wanneer u opnieuw een volledige scan uitvoert. In de DAB-modus:

Druk op de Scantoets om een volledige scan uit te voeren.

De voortgang zal op het scherm weergegeven worden.

Wanneer het scannen afgerond is, zal de radio het eerste station in de lijst afspelen of terug gaan naar het laatste geselecteerde station.

De hoofdtelefoon gebruiken

U kunt naar uw DAB/FM radio luisteren met een hoofdtelefoon. Hiervoor hoeft u alleen het 3,5mm uiteinde van de hoofdtelefoon in de daarvoor bestemde aansluiting op uw radio te doen. U kunt het volume aanpassen door aan de Volume-knop te draaien.

Bluetooth

Doorloop uw keuzes met de toets 'Modus' om de gewenste modus te selecteren. De keuzes zullen worden weergegeven op het scherm van het voorpaneel.

Schakel de Bluetooth-functie in op uw telefoon en 'Lenco DAR-015' zal verschijnen. Klik op deze naam om verbinding te maken. De verbinding is geslaagd zodra het apparaat een kort geluid laat horen.

Om muziek te kiezen, dient u het album of de afspeellijst te selecteren op uw telefoon. Nadat dit eenmaal is geselecteerd, dan kunt u echter de toets Vorige of Volgende gebruiken om de vorige of volgende tracks te selecteren.

Druk a.u.b. op de toets Start/Pauze om het afspelen van de muziek te pauzeren; druk nogmaals op de toets Start/Pauze om het afspelen te hervatten.

Het gebruiksbereik tussen het apparaat en een Bluetooth-apparaat is ongeveer 10 meter, vrij van enigerlei obstakels.

Veelgestelde vragen

Probleem	Oplossing
Geen Stroom	Controleer of het systeem verbonden is met een werkend stopcontact. Controleer of de DC stroomadapter op de juiste manier verbonden is met de DC In op de radio.
Geen geluid	Controleer of het volume niet op het laagste niveau staat.
Slechte ontvangst	Pas de locatie van de antenne aan voor ontvangst van het beste signaal.
Functie werkt niet	Als geen van de bovenstaande oplossingen werken, probeer dan de radio uit te schakelen en de stekker uit het stopcontact te halen.

Specificaties

Stroomvoorziening	AC 100-240V
Frequentiebereik	FM 87,5-108 MHz DAB 174-240 MHz
Uitvoerconnector	3,5 mm oortelefoonaansluiting
Antenne	Uitschuifbare antenne
Uitgangsvermogen	2 x 5W
Max. Opgenomen vermogen	18W
Voedingsadapter (alleen voor EU)	
Adapterfabrikant	Dongguan Yuan Shuai Electronic Co., Ltd
Ingang	AC 100-240V~50/60Hz, 0.65A Max
Uitgang	DC 9V/2A
Modelnummer adapter	YeS04S-0900200VH
Gebruik alleen de originele wisselstroomadapter	
Gebruik uitsluitend de voeding die op de gebruiksaanwijzing is aangegeven	

Garantie

Lenco biedt service en garantie aan overeenkomstig met de Europese wetgeving. Dit houdt in dat u, in het geval van reparaties (zowel tijdens als na de garantieperiode), uw lokale handelaar moet contacteren.

Belangrijke opmerking: Het is niet mogelijk om producten die moeten worden gerepareerd rechtstreeks naar Lenco te sturen.

Belangrijke opmerking: De garantie verloopt als een onofficieel servicecenter het apparaat op wat voor manier dan ook heeft geopend, of er toegang toe heeft gekregen.

Het apparaat is niet geschikt voor professioneel gebruik. In het geval van professioneel gebruik worden alle garantieverplichtingen van de fabrikant nietig verklaard.

Disclaimer

Er worden regelmatig updates in de firmware en/of hardwarecomponenten gemaakt. Daardoor kunnen gedeelten van de instructie, de specificaties en afbeeldingen in deze documentatie enigszins verschillen van uw eigen situatie. Alle onderwerpen die staan beschreven in deze handleiding zijn bedoeld als illustratie en zijn niet van toepassing op specifieke situaties. Aan de beschrijving in dit document kunnen geen rechten worden ontleend.

Afvoer van het oude apparaat



Dit symbool geeft aan dat het betreffende elektrische product of de accu/batterij niet mag worden verwijderd als algemeen huishoudelijk afval in Europa. Zorg voor een juiste afvalverwerking door het product en de accu/batterij in overeenstemming met alle van toepassing zijnde lokale wetten voor het verwijderen van elektrische apparatuur of accu's/batterijen te verwijderen. Als u dit doet, helpt u de natuurlijke hulpbronnen te behouden en de standaard van milieubescherming te verbeteren bij de behandeling en verwijdering van elektrisch afval (Afgedankte Elektrische en Elektronische Apparatuur).

Service

Bezoek voor meer informatie en helpdeskondersteuning www.lenco.com
Lenco Benelux BV, Thermiekstraat 1a, 6361 HB, Nuth, Nederland.

ACHTUNG:

Die zweckentfremdete Bedienung, Benutzung oder Einstellung der Prozeduren kann zu gefährlichen Unfällen durch Strahlen führen.

Dieses Gerät darf außer von qualifizierten Fachleuten von niemand anderem repariert oder eingestellt werden.

VORSICHTSMASSNAHMEN VOR DER BENUTZUNG**BEFOLGEN SIE IMMER FOLGENDE ANWEISUNGEN:**

1. Benutzen Sie das Gerät nicht in der Nähe von Wasser.
2. Benutzen Sie zur Reinigung ein nur leicht befeuchtetes Tuch.
3. Blockieren Sie keine Lüftungsöffnungen. Wenn Sie das Gerät auf ein Regal stellen, lassen Sie um das gesamte Gerät 5 cm (2") freien Platz.
4. Stellen Sie das Gerät entsprechend den Anweisungen der mitgelieferten Bedienungsanleitung auf.
5. Treten Sie nicht auf das Netzteil und klemmen Sie es auch nicht ein. Seien Sie im näheren Bereich des Steckers und der Herausführungen des Kabels besonders vorsichtig. Stellen Sie keine schweren Gegenstände auf das Netzteil, weil es dadurch beschädigt werden könnte. Halten Sie das gesamte Gerät außerhalb der Reichweite von Kindern! Durch Spielen mit dem Netzkabel können sie sich ernsthafte Verletzungen zuziehen.
6. Trennen Sie das Gerät während eines Gewitters oder bei längerer Nichtbenutzung vom Netz.
7. Halten Sie das Gerät von Hitzequellen wie Radiatoren, Heizern, Öfen, Kerzen oder anderen hitzeerzeugenden Gegenständen fern.
8. Meiden Sie bei der Nutzung des Produkts die Nähe starker Magnetfelder.
9. Elektrostatische Entladungen können die normale Verwendung von diesem Gerät stören. Sollte dies geschehen, führen Sie einfach einen Reset aus und starten Sie dann das Gerät entsprechend den Anweisungen dieser Bedienungsanleitung neu. Gehen Sie besonders bei Datenübertragungen mit dem Gerät vorsichtig um und führen Sie diese nur in einer antielekrostatischen Umgebung aus.
10. Warnung! Niemals Gegenstände durch die Lüftungsschlitze oder Öffnungen in das Gerät stecken. Im Gerät sind hohe Spannungen vorhanden und das Einführen von Gegenständen kann zu Stromschlag bzw. zu Kurzschlüssen der internen Teile führen. Aus dem gleichen Grund kein Wasser oder Flüssigkeiten in das Gerät geben.
11. Benutzen Sie das Gerät nicht in nasser oder feuchter Umgebung wie Bad, Dampfküche oder in der Nähe von Schwimmbecken.
12. Benutzen Sie das Gerät nicht bei Kondensationsgefahr.
13. Obwohl dieses Gerät unter größter Sorgfalt und vor Auslieferung mehrmals überprüft wurde, können trotzdem wie bei jedem anderen elektrischen Gerät auch Probleme auftauchen. Trennen Sie das Gerät im Falle einer Rauchentwicklung, starker Hitzeentwicklung oder jeden anderen unnatürlichen Erscheinung sofort vom Netz.
14. Das Gerät muss immer gut belüftet sein!

Dieses Gerät ist durch eine Stromquelle wie auf dem Typenschild angegeben zu betreiben. Halten Sie bei Unsicherheiten über die Art Ihrer Stromversorgung in Ihrer Wohnung Rücksprache mit Ihrem Händler oder Ihrer Stromzuliefererfirma.

16. Die Wandsteckdose muss sich in der Nähe des Geräts befinden und einfach zu erreichen sein.
17. Steckdosen und Verlängerungsleitungen nicht überlasten. Eine Überlastung kann zu Brandgefahr bzw. Stromschlägen führen.
18. Geräte der Schutzklasse 1 sind an eine Netzsteckdose mit Schutzleiter anzuschließen.
19. Geräte der Schutzklasse 2 benötigen keinen Schutzleiteranschluss.
20. Halten Sie Nagetiere vom Gerät fern. Nagetiere lieben es, am Netzkabel zu nagen.
21. Halten Sie den Netzstecker in der Hand, wenn Sie ihn aus der Netzsteckdose ziehen. Ziehen Sie ihn nicht durch Zerren am Kabel heraus. Das kann zu einem Kurzschluss führen.
22. Vermeiden Sie es, das Gerät auf Oberflächen aufzustellen, die zu Schwingungen oder Stoß neigen.
23. Trennen Sie bei Gewitter den Netzadapter vom Stromnetz, um das Gerät zu schützen.
24. Wenn das Gerät für längere Zeit nicht verwendet wird, sollte die Stromversorgung aus Sicherheitsgründen unterbrochen werden.
25. Benutzen Sie zur Reinigung ein nur leicht befeuchtetes Tuch. Benutzen Sie niemals Lösungsmittel oder Flüssigkeiten auf Ölbasis. Benutzen Sie zum Entfernen hartnäckiger Flecken ein feuchtes Tuch mit mildem Reinigungsmittel.
26. Der Hersteller haftet nicht für Schäden oder Verluste durch Fehlfunktion, Zweckentfremdung oder Modifikation des Geräts oder durch Wechseln der Batterien.
27. Unterbrechen Sie die Verbindung nicht während einer Formatierung oder einer Datenübertragung. Bei Unterbrechung drohen Datenverlust und Datenbeschädigung.
28. USB-Sticks sind direkt mit dem Gerät zu verbinden. Verwenden Sie kein USB-Verlängerungskabel, weil die erhöhte Störungsanfälligkeit zu Datenverlust führen könnte.
29. Das Gerät darf weder Tropf- noch Spritzwasser ausgesetzt werden und es dürfen keine mit Flüssigkeit gefüllten Behälter wie z.B. Vasen auf das Gerät oder in der Nähe des Gerätes gestellt werden.
30. Um das Gerät vollständig vom Netz zu trennen, muss der Netzstecker des Gerätes vom Stromnetz getrennt werden, wobei die zu trennende Einheit den Netzstecker des Gerätes bezeichnet.
31. Der Netzstecker darf nicht blockiert werden und muss während des bestimmungsgemäßen Gebrauchs immer leicht erreichbar sein.
32. Die Batterie darf keiner extremen Hitze wie z.B. Sonnenschein, Feuer o.ä. ausgesetzt werden.
33. Für eine ausreichende Kühlung des Geräts ist um dieses herum mindestens ein Freiraum von 10 cm zu lassen.
34. Die Ventilation darf nicht durch Abdecken der Ventilationsöffnungen durch Gegenstände wie Zeitungen, Tischdecken, Gardinen o.ä. behindert werden.
35. Stellen Sie kein offenes Feuer wie z.B. angezündete Kerzen auf das Gerät.
36. Bei der Batterieentsorgung sind die Entsorgungsvorschriften einzuhalten.
37. Das Gerät kann nur bei moderaten Temperaturen verwendet werden. Eine Nutzung in extrem kalten oder heißen Umgebungen sollte vermieden werden.

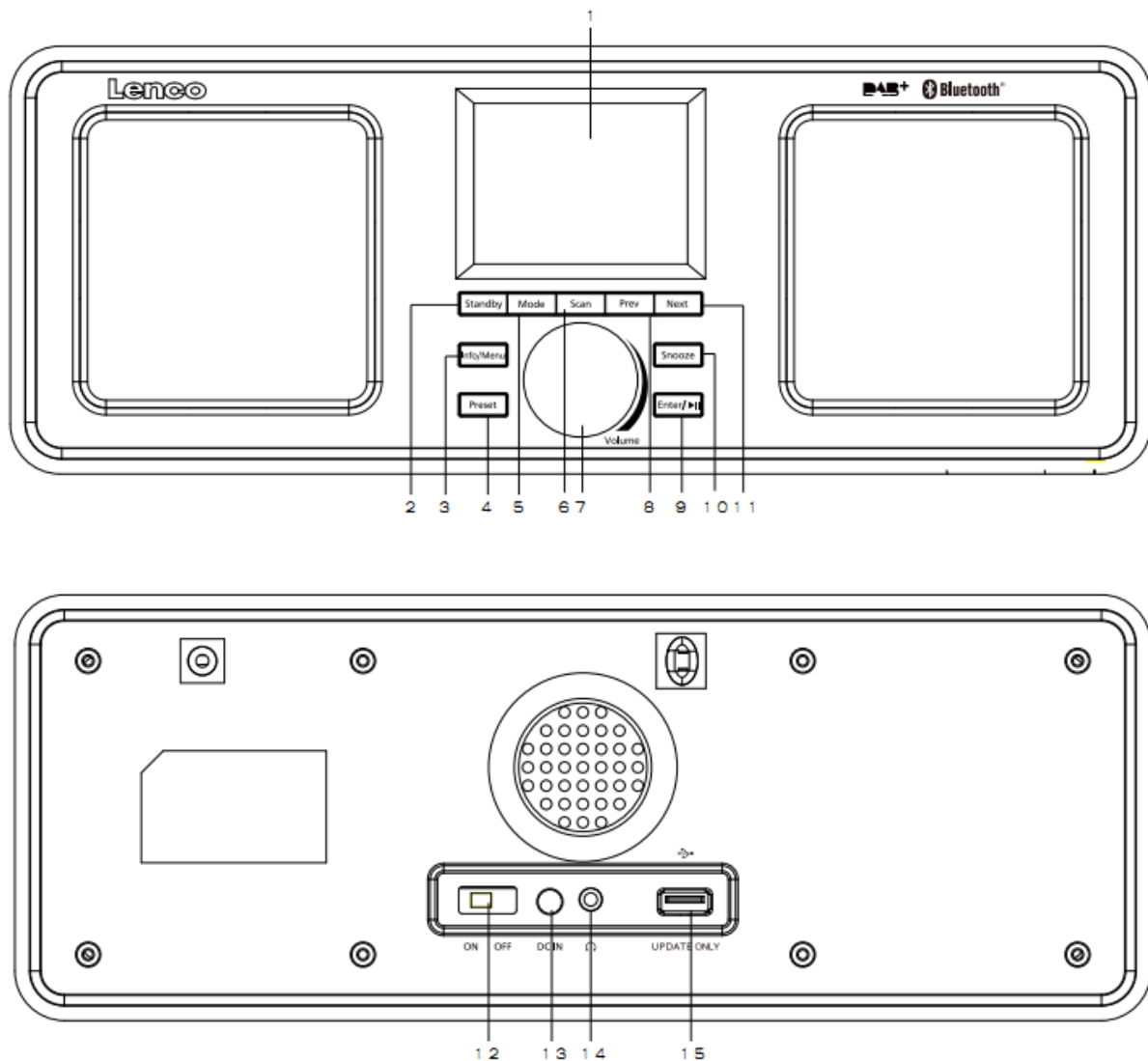
38. Das Typenschild befindet sich an der Unterseite des Geräts.
39. Dieses Gerät ist nicht zur Benutzung durch Personen (auch Kinder) mit physischen, sensorischen oder mentalen Beeinträchtigungen oder ohne ausreichender Erfahrung vorgesehen, es sei denn, sie werden durch eine verantwortliche Person beaufsichtigt oder wurden in die ordnungsgemäße Bedienung des Gerätes durch eine für ihre Sicherheit verantwortlichen Person eingewiesen.
40. Dieses Produkt ist nur für den Hausgebrauch und nicht für gewerbliche oder industrielle Zwecke bestimmt.
41. Stellen Sie sicher, dass das Gerät in einer stabilen Position aufgestellt ist. Schäden, die durch Verwendung dieses Produkts in einer instabilen Position oder durch Nichtbeachtung der anderen in diesem Handbuch enthaltener Warnungen und Vorwarnung entstehen, werden nicht durch die Garantie abgedeckt.
42. Entfernen Sie niemals das Gehäuse dieses Geräts.
43. Stellen Sie dieses Gerät niemals auf andere elektrische Geräte.
44. Verwenden oder bewahren Sie dieses Produkt nicht an Orten auf, in denen es direkter Sonneneinstrahlung, Hitze, übermäßigem Staub oder Vibration ausgesetzt ist.
45. Reinigen Sie dieses Produkt nicht mit Wasser oder anderen Flüssigkeiten.
46. Blockieren Sie nicht die Schlitze und Öffnungen in dieses Produkts.
47. Schieben Sie keine Fremdkörper in die Schlitze und Öffnungen in dieses Produkts.
48. Ermöglichen Sie Kindern nicht den Zugriff auf Plastiktüten.
49. Vergewissern Sie sich, dass die Spannungsangaben auf dem Typenschild des Geräts mit der Spannungsversorgung in Ihrem Haushalt übereinstimmen (Das Typenschild befindet sich an der Rückseite des Geräts).
50. Verhindern Sie, dass das Netzkabel eingequetscht oder darauf getreten wird, insbesondere an den Steckern, Steckdosen und der Stelle, an der das Kabel aus dem Gerät austritt.
51. Benutzen Sie nur vom Hersteller empfohlene Erweiterungen/Zubehörteile.
52. Sprechen Sie alle Eingriffe mit qualifiziertem Fachpersonal ab. Eingriffe werden notwendig, wenn das Gerät in irgendeiner Weise beschädigt wurde, beispielsweise am Netzkabel oder am Netzstecker oder wenn Flüssigkeit in das Gerät gelangt ist bzw. Gegenstände in das Gerät gefallen sind, das Gerät Regen oder Feuchtigkeit ausgesetzt war, es heruntergefallen ist oder nicht ordnungsgemäß funktioniert.
53. Verwenden Sie weder ein beschädigtes Netzkabel noch einen beschädigten Stecker oder eine lockere Steckdose. Es besteht Brand- und Stromschlaggefahr.

Warnung: Längeres Hören lauter Töne aus einem Musikgerät kann zum zeitweiligen oder permanenten Hörverlust führen.

AUFBAU

- Packen Sie alle Teile aus und entfernen Sie danach die Schutzmaterialien.
- Schließen Sie das Gerät nicht eher an das Netz an, bevor Sie die Netzspannung überprüft haben und alle anderen notwendigen Verbindungen hergestellt sind.
- Bedecken Sie die Lüftungsschlitze nicht und vergewissern Sie sich, dass um das Gerät herum einige cm Platz für die Kühlung gelassen wurden.

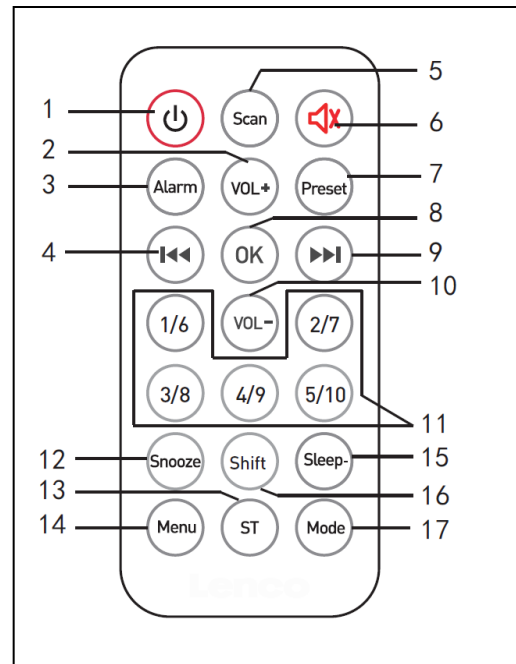
Produktübersicht



1. LCD-Display
2. Standby-Taste
3. Info/Menü-Taste
4. Speicherplatz-Taste
5. Modus-Taste
6. Scannen-Taste
7. Lautstärke+/-Drehregler
8. Zurück-Taste
9. Enter/Wiedergabe/Pause-Taste
10. Schlummerautomatik-Taste
11. Vor-Taste
12. Netzschalter
13. DC-Eingangsbuchse
14. Kopfhörer-Buchse
15. USB-Port für Softwareupdates

Fernbedienung

1. Standby-Taste
2. Lautstärke+-Taste
3. Wecker-Taste
4. Zurück-Taste
5. Scannen-Taste
6. Stummschaltungs-Taste
7. Speicherplatz-Taste
8. OK-Taste
9. Vor-Taste
10. Lautstärke - -Taste
11. Speicherplatznummer
12. Schlummerautomatik-Taste
13. Stereo-Taste
14. Menü-Taste
15. Abschaltautomatik-Taste
16. Speicherplatz-Umschalttaste
17. Modus-Taste



Anleitungen

Grundbedienung

Bei der Erstinbetriebnahme Ihres Radios

Schließen Sie den mitgelieferten Netzadapter am Radio an.

Stecken Sie den Netzstecker des Netzadapters in eine Netzsteckdose.

Schieben Sie den Netzschalter in die Stellung ON. Auf dem Radiodisplay erscheint „Welcome to digital Radio“ (Willkommen beim digitalen Radio).

Drücken Sie die Taste STANDBY, um das Radio einzuschalten.

Auswahl der Modi

Drücken Sie bei eingeschaltetem Radio mehrfach die Taste MODE, um zwischen DAB+ und UKW-Modus hin und her zu schalten.

DAB+ Bedienung

Wenn Sie zuerst das DAB+-Radio wählen und anschließend die Taste SCAN drücken, dann wird das Radio nach allen verfügbaren DAB+-Radiosender suchen und diese speichern. Wenn der automatische Senderscan beendet ist, stellt das Radio den ersten gefundenen Radiosender ein.

Auswahl eines Radiosenders. Bei eingeschaltetem Radio:

Drücken Sie die Taste MODE, um den DAB+ Modus auszuwählen.

Drücken Sie die Taste PREV oder NEXT, um sich durch die Liste der Radiosender zu bewegen.

Drücken Sie die Taste ENTER, um den Radiosender auszuwählen, der gerade auf dem Display angezeigt wird.

Sie können bei Bedarf durch Drehen des Drehreglers VOLUME in oder gegen den Uhrzeigersinn die Lautstärke anpassen.

UKW-Bedienung

Drücken Sie bei eingeschaltetem Radio die Taste MODE, um den UKW-Modus auszuwählen.

Drücken Sie die Taste PREV oder NEXT, um manuell die gewünschte Frequenz in 0,05-MHz-Schritten einzustellen.

Das Radio besitzt zudem einen UKW-Sendersuchlauf, mit dem Sie automatisch alle UKW-Radiosender einstellen lassen können.

Drücken Sie die Taste SCAN, um automatisch nach dem nächsten verfügbaren Radiosender zu suchen. Wenn ein Radiosender gefunden wird, dann wird dieser automatisch wiedergegeben.

Sie können auch abwärts suchen lassen, indem Sie die Taste SCAN gedrückt halten.

Speichern von Radiosendern auf den Speicherplätzen

Das Radio kann jeweils 10 UKW- und DAB+ Radiosender auf Speicherplätzen speichern. Um einen Speicherplatz zu belegen:

Stellen Sie den gewünschten Radiosender ein und halten Sie anschließend die Taste PRESET gedrückt. Wählen Sie mit der Taste PREV oder NEXT den gewünschten Speicherplatz aus. Halten Sie anschließend für 2 Sekunden die Taste PRESET gedrückt. Auf der Anzeige wird der Speicherplatz < xx: (Empty)> (xx: (leer)) angezeigt. Wählen Sie nun mit der Taste PREV oder NEXT den gewünschten Speicherplatz zum Abspeichern des Radiosenders aus.

Drücken Sie die Taste ENTER, um den Radiosender zu speichern. Auf der Anzeige wird die Mitteilung „Preset xx stored“ (Speicherplatz xx gespeichert) angezeigt.

Wiedergabe eines Speicherplatz-Radiosenders

Um einen auf einem Speicherplatz gespeicherten Radiosender wiederzugeben:

Wählen Sie das Band (DAB+ oder UKW) des Radiosenders aus, indem Sie die Taste MODE drücken.

Drücken Sie die Taste PRESET, um die Speicherplätze abzurufen. Drücken Sie die Taste PREV oder NEXT, um sich durch die Liste zu bewegen und bestätigen Sie Ihre Auswahl anschließend mit der Taste ENTER.

Automatische Einstellung der Uhrzeit

Wenn Sie das Radio das erste Mal einschalten, synchronisiert es automatisch die lokale Uhrzeit, wenn es nach DAB+ Radiosendern sucht. Wenn die Uhrzeit nicht automatisch eingestellt werden sollte, dann versuchen Sie einen anderen Standplatz für das Radio, um ein stärkeres Signal zu erhalten.

Systemeinstellungen

Halten Sie bei eingeschaltetem Radio die Taste INFO/MENU gedrückt. Hierdurch öffnet sich das „Set Menu“ (Einstellungsmenü).

Drücken Sie die Taste PREV oder NEXT, um eines der nachfolgenden Untermenüs aufzurufen.

Einstellung von Uhrzeit/Datum

Wenn Sie die Taste INFO/MENU gedrückt halten, dann erscheint auf dem Display <Time/Date> (Uhrzeit/Datum). Drücken Sie die Taste ENTER, um in den Einstellmodus für die Uhrzeit zu gelangen.

Die Stundenstelle blinkt nun. Drücken Sie die Taste PREV oder NEXT, um die richtige Stunde der Uhrzeit einzustellen. Drücken Sie zur Bestätigung die Taste ENTER.

Wiederholen Sie die beiden letzten Schritte, um die Minuten, das Jahr, den Monat und den Tag einzustellen.

Systemversion

Die können die Software-Versionsnummer überprüfen, indem Sie die Taste INFO/MENU gedrückt halten. Drücken Sie die Taste PREV oder NEXT solange, bis auf dem Display <System Version> (Systemversion) angezeigt wird. Drücken Sie anschließend zum Bestätigen die Taste ENTER.

Zurücksetzen des Radios

Durch das Zurücksetzen des Radios werden alle gespeicherten DAB+ Radiosender und alle Speicherplätze für DAB+ und UKW-Radiosender gelöscht. Um das Radio zurückzusetzen:

Halten Sie die Taste INFO/MENU gedrückt.

Drücken Sie die Taste PREV oder NEXT solange, bis auf dem Display <Factory reset> (Auf Werkseinstellung zurücksetzen) angezeigt wird. Wenn Sie nun die Taste ENTER drücken, dann wird auf dem Display <Yes> (Ja) und <No> (Nein) angezeigt. Wählen Sie mit der Taste PREV oder NEXT <Yes> (Ja) aus.

Wenn Sie jetzt die Taste ENTER drücken, dann wird das Radio auf Werkseinstellung zurückgesetzt.

Einstellung Schlafautomatik

Halten Sie die Taste INFO/MENU gedrückt.

Drücken Sie die Taste PREV oder NEXT solange, bis auf dem Display <Sleep Set> (Schlafautomatik einstellen) angezeigt wird. Drücken Sie anschließend die Taste ENTER.

Drücken Sie die Taste PREV oder NEXT, um entweder AUS, 120, 90, 60, 45, 30, 15 oder 5 Minuten auszuwählen.

Drücken Sie zur Bestätigung die Taste ENTER.

Verwendung des Weckers

Wecker einstellen

Halten Sie bei eingeschaltetem Radio die Taste INFO/MENU gedrückt.

Drücken Sie nun die Taste PREV oder NEXT, um Alarm1 (Wecker 1) auf ON (Ein) zu stellen. Bestätigen Sie Ihre Auswahl mit der Taste ENTER.

Die Stundenstelle blinkt nun. Stellen Sie die gewünschte Stunde mit der Taste PREV oder NEXT ein. Drücken Sie zur Bestätigung die Taste ENTER.

Jetzt blinkt die Minutenstelle. Stellen Sie die gewünschten Minuten mit der Taste PREV oder NEXT ein. Drücken Sie zur Bestätigung die Taste ENTER.

Nun blinkt die Stelle für den Lautstärkepegel. Stellen Sie den gewünschten Lautstärkepegel mit der Taste PREV oder NEXT ein. Drücken Sie zur Bestätigung die Taste ENTER.

Nun blinkt der Modus des Weckers. Stellen Sie die gewünschte Quelle für den Wecksound mit der Taste PREV oder NEXT ein: Alarm/DAB/FM (Wecker/DAB/UKW). Drücken Sie zur Bestätigung die Taste ENTER.

Halten Sie bei eingeschaltetem Radio die Taste INFO/MENU gedrückt.

Drücken Sie nun die Taste PREV oder NEXT, um Alarm1 (Wecker 2) auf ON (Ein) zu stellen. Bestätigen Sie Ihre Auswahl mit der Taste ENTER.

Die Einstellschritte sind dieselben wie für „ALARM1“ (Wecker 1) beschrieben.

Deaktivieren des Weckers

Halten Sie die Taste INFO/MENU gedrückt und wählen Sie anschließend mit der Taste PREV oder NEXT den Wecker aus, den Sie deaktivieren möchten. Stellen Sie nun den Alarm (Wecker) auf OFF (Aus).

Drücken Sie die Taste ENTER. Daraufhin wird der Wecker deaktiviert.

Ausschalten des Wecksounds

Wenn der Wecksound ertönt, dann drücken Sie die Taste Standby, um den Wecksound auszuschalten.

HINWEIS: Wenn Sie den Wecksound nicht ausschalten, dann wird der Wecksound 60 Minuten lang wiedergegeben.

Schlummerfunktion

Wenn der Wecksound ertönt, dann drücken Sie die Taste SNOOZE, um den Wecksound vorübergehend auszuschalten. Der Wecksound ertönt nach 9 Minuten erneut.

Senderinformationen im DAB-Modus

Bei jedem Druck der Taste INFO/MENU erscheinen im DAB-Modus auf dem Display nacheinander folgende Informationen:

Dynamisches Etikettensegment (DLS): Anzeige einer durch den Radiosender bereitgestellten Laufbandinformation.

Signalstärke: Anzeige eines Statusbalkens mit der Signalstärke des gerade wiedergegeben Radiosenders.

Bit-Fehlerrate (BER): Zeigt Details zur Signalfehlerrate an.

Frequenz des Kanals: Zeigt sowohl Kanalnummer als auch Frequenz des empfangenen Radiosenders an.

Programmart (PTY): Zeigt sowohl Art als auch Beschreibung des durch den DAB-Radiosender bereitgestellten Programms an.

Datum und Uhrzeit: Zeigt die durch den Radiosender bereitgestellte Uhrzeit und Datum an.

Bitrate: Die Datenrate, mit der das Signal übertragen wird.

Senderinformationen im UKW-Modus

Bei jedem Druck der Taste INFO/MENU erscheinen im UKW-Modus auf dem Display nacheinander folgende Informationen:

Programmart: Zeigt eine Beschreibung des durch den Radiosender bereitgestellten Programms an.

Signalstärke: Anzeige eines Statusbalkens mit der Signalstärke des gerade wiedergegeben Radiosenders.

Zeit und Datum: Zeigt die durch den Radiosender bereitgestellte Uhrzeit und Datum an.

Frequenz: Zeigt die Frequenz des empfangenen Radiosenders an.

Audioart: Zeigt die Audioart des gerade wiedergegebenen Radiosenders an (Stereo oder Mono).

Radiotext: Anzeige einer durch den Radiosender bereitgestellten Laufbandinformation.

Hinweis: Drücken Sie mehrfach auf die Taste ENTER, um zwischen Mono und Stereo zu wechseln.

Neuabstimmung Ihres DAB+/UKW-Radios

Sie können Ihr Radio neuabstimmen, um neue Radiosender oder die Radiosender einer neuen Region zu speichern. Ihre aktuell auf den Speicherplätzen gespeicherten Radiosender bleiben erhalten, wenn Sie zum Neuabstimmen einen vollständigen Scan durchführen. Im DAB-Modus:

Drücken Sie die Taste SCAN, um einen vollständigen Scan durchzuführen.

Der Fortschritt wird auf dem Display angezeigt.

Wenn der Scan beendet wurde, gibt das Radio den ersten Radiosender in der Liste oder den zuvor wiedergegebenen Radiosender wieder.

Verwendung der Kopfhörer

Sie können Kopfhörer verwenden, um Ihr DAB/UKW-Radio anzuhören. Stecken Sie hierfür einfach den 3,5 mm Klinenstecker des Kopfhörers in die Kopfhörerbuchse auf der Rückseite des Radios. Stellen Sie mit dem Drehregler VOLUME die gewünschte Lautstärke ein.

Bluetooth

Drücken Sie sich mittels der Taste MODE durch die Auswahl, um den Modus zu wechseln. Die Auswahl wird auf der vorderen Anzeige angezeigt.

Aktivieren Sie das Bluetooth Ihres Telefons und suchen Sie nach „Lenco DAR-015“. Klicken Sie darauf, um sich zu verbinden. Wenn aus dem Gerät ein kurzer Klang ertönt, dann war das Verbinden erfolgreich.

Um Musik auszuwählen, müssen Sie ein Album oder eine Wiedergabeliste von Ihrem Telefon auswählen. Nach der Auswahl können Sie dann mit der Taste PREV oder NEXT den vorherigen oder nächsten Titel auswählen.

Drücken Sie die Taste WIEDERGABE/PAUSE, wenn Sie die Musikwiedergabe pausieren möchten. Drücken Sie diese Taste noch einmal, wenn Sie die Musikwiedergabe fortsetzen möchten.

Die funktionale Entfernung zwischen dem Radio und dem Bluetooth-Gerät kann bis zu 10 Meter betragen, wenn sich keine Hindernisse dazwischen befinden.

Häufig gestellte Fragen

Problem	Lösung
Kein Strom	Überprüfen Sie, ob das Radio an einer stromführenden Netzsteckdose angeschlossen wurde. Überprüfen Sie, ob Radio und Netzadapter ordnungsgemäß miteinander verbunden wurden.
Kein Ton	Überprüfen Sie, ob der Lautstärkeregler auf Minimum gestellt wurde.
Schlechter Empfang	Richten Sie die Antenne für den besten Empfang aus.
Gestörte Funktion	Wenn keine der obenstehenden Maßnahmen Abhilfe schafft, dann versuchen Sie, das Radio auszuschalten und vom Netz zu trennen.

Technische Daten

Stromversorgung	100 – 240 V AC
Frequenzbereich	UKW 87,5 – 108 MHz DAB 174 – 240 MHz
Ausgänge	3,5 mm Kopfhörerbuchse
Antenne	Teleskop-Antenne
Leistung	2 x 5W
Max. Leistungsaufnahme	18W
Netzteil (nur für EU)	
Netzteil-Hersteller	Dongguan Yuan Shuai Electronic Co., Ltd
Eingangsspannung	100 – 240 V~ 50/60 Hz, max. 0,65 A
Ausgangsleistung	9 V DC/2 A
Modellnummer des Netzteils	YeS04S-0900200VH
Verwenden Sie nur den originalen AC-Adapter	
Verwenden Sie nur die im Handbuch angegebene Stromversorgung	

Garantie

Lenco bietet Leistungen und Garantien im Einklang mit Europäischem Recht. Im Falle von Reparaturen (sowohl während als auch nach Ablauf der Garantiezeit) sollten Sie deshalb Ihren Einzelhändler kontaktieren.

Wichtiger Hinweis: Es ist nicht möglich, Geräte für Reparaturen direkt an Lenco zu schicken.

Wichtiger Hinweis: Falls dieses Gerät von einem nicht autorisierten Kundendienst geöffnet oder darauf zugegriffen wird, erlischt die Garantie.

Dieses Gerät ist nicht für professionelle Zwecke geeignet. Falls das Gerät für professionelle Zwecke eingesetzt wird, erlöschen alle Garantieverpflichtungen seitens des Herstellers.

Haftungsausschluss

Aktualisierungen der Firmware und/oder Hardware-Komponenten werden regelmäßig durchgeführt. Daher können einige der Anweisungen, Spezifikationen und Abbildungen in dieser Dokumentation von Ihrer individuellen Situation abweichen. Alle in diesem Handbuch beschriebenen Elemente dienen nur zur Illustration und treffen auf Ihre individuelle Situation möglicherweise nicht zu. Aus der in diesem Handbuch getätigten Beschreibung können keine Rechtsansprüche oder Leistungsanforderungen geltend gemacht werden.

Entsorgung des Altgeräts



Dieses Symbol zeigt an, dass das entsprechende Produkt oder dessen Batterie in Europa nicht mit dem normalen Hausmüll entsorgt werden darf. Um die ordnungsgemäße Abfallbehandlung des Produkts und dessen Batterie zu gewährleisten, müssen diese im Einklang mit allen anwendbaren örtlichen Vorschriften zur Entsorgung von Elektrogeräten und Batterien entsorgt werden. Dabei helfen Sie, natürliche Ressourcen zu schonen und Umweltschutzstandards zur Verwertung und Entsorgung von Altgeräten aufrecht zu halten (Waste Electrical and Electronic Equipment Directive).

Service

Besuchen Sie bitte für weitere Informationen und unseren Kundendienst unsere Homepage www.lenco.com
Lenco Benelux BV, Thermiekstraat 1a, 6361 HB Nuth, The Netherlands.

ATTENTION !

L'utilisation des commandes, les réglages ou l'exécution de procédures autres que celles spécifiées ici peuvent aboutir à des expositions à des radiations dangereuses.

Cette unité ne doit pas être réglée ou réparée par quiconque, sauf du personnel de service qualifié.

PRÉCAUTIONS D'EMPLOI

GARDEZ A L'ESPRIT CES INSTRUCTIONS:

1. Ne nettoyez qu'avec un linge légèrement humide.
2. N'obstruez ou ne bloquez aucune voie de ventilation. Lorsque vous placez sur une étagère, laissez un espace libre de 5 cm (2 pouces) autour de l'unité.
3. Installez conformément aux instructions du présent manuel.
4. Ne pincez pas ou ne marchez pas sur l'adaptateur d'alimentation. Soyez très précautionneux, notamment près des prises et des points de sortie des câbles. Ne placez aucun objet lourd sur le cordon d'alimentation, cela pourrait l'endommager. Maintenez l'appareil hors de la portée des enfants ! S'ils jouent avec le câble d'alimentation, ils peuvent se faire des blessures graves.
5. Débranchez cet appareil lors des orages ou lorsqu'il est inutilisé pendant une longue période.
6. Tenez l'unité hors de portée des sources de chaleur telles que radiateurs, chauffages, fours, bougies, et autres appareils produisant de la chaleur.
7. Évitez d'utiliser l'appareil à proximité de forts champs magnétiques.
8. Un champ électromagnétique peut perturber l'utilisation normale de cet appareil. Dans ce cas, réinitialisez et redémarrez simplement l'appareil en suivant le manuel d'instruction. Lors du transfert de fichiers, manipulez avec précaution et faites fonctionner dans un environnement sans électricité statique.
9. Avertissement! N'insérez jamais d'objet dans le produit par les ventilations ou ouvertures. Une forte tension circule dans le produit et insérer un objet peut causer un choc électrique et/ou un court-circuit des parties internes. Pour la même raison, ne versez pas d'eau ou autre liquide dans le produit.
10. N'utilisez pas dans un endroit humide ou mouillé, tel qu'une salle de bain, une cuisine avec de la vapeur ou à proximité d'une piscine.
11. N'utilisez pas cette unité lorsque de la condensation peut se produire.
12. Cet appareil a été produit conformément à toutes les réglementations de sécurité actuellement en vigueur. Les conseils de sécurité qui suivent visent à protéger l'utilisateur contre une utilisation négligente et les dangers que cela génère.
13. Bien que cet appareil ait été fabriqué avec le plus grand soin et vérifié à plusieurs reprises avant de quitter l'usine, il est encore possible que des problèmes se produisent, comme avec tous les appareils électriques. Si vous constatez de la fumée, une production excessive de chaleur ou tout autre phénomène inattendu, veuillez débrancher la prise du secteur immédiatement.
14. Cet appareil doit être bien ventilé en permanence !
15. Cette unité doit être alimentée par une source électrique du type spécifiée sur la plaque des caractéristiques techniques sur le produit. Si vous n'êtes pas sûr du type de source d'alimentation de votre domicile, consultez votre fournisseur ou votre compagnie d'électricité locale.
16. La prise d'alimentation doit être installée à proximité de l'équipement et doit être facilement accessible.
17. Ne surchargez pas les prises secteur ou les rallonges à multiprises. La surcharge peut être une cause d'incendie ou de choc électrique.

18. Les unités avec une construction de classe 1 doivent être connectées à une prise secteur protégée par une connexion terre.
19. Les appareils avec une construction de classe 2 ne nécessitent pas de connexion avec la terre.
20. Maintenez à distance des rongeurs. Les rongeurs adorent mordre dans les cordons d'alimentation.
21. Lorsque vous débranchez la prise du secteur, tirez toujours par l'embout de la prise. Ne tirez pas le cordon d'alimentation. Cela peut causer un court-circuit.
22. Évitez de placer l'unité sur une surface qui risque d'être soumise à des vibrations ou des chocs.
23. Pour protéger l'unité lors des orages, débranchez le câble d'alimentation ca.
24. Lorsque l'unité n'est pas utilisée pendant une longue période, débranchez le cordon d'alimentation ac pour des raisons de sécurité.
25. Pour nettoyer la tablette, utilisez un linge doux sec. N'utilisez pas de solvants ou de liquides à base de pétrole. Pour les taches difficiles, vous pouvez utiliser un linge humide avec du détergent dilué.
26. Le fournisseur n'est pas responsable des dégâts ou de la perte de données résultant d'un mauvais fonctionnement, d'usage erroné, de modification de l'appareil ou du remplacement de la batterie.
27. N'interrompez pas la connexion lorsque l'appareil est en cours de formatage ou de transfert de fichiers. Autrement, les données pourraient se corrompre ou se perdre.
28. Cet appareil ne doit pas être exposé à l'égouttement ou aux éclaboussures. Ne jamais y poser un objet rempli de liquide tel qu'un vase.
29. Pour être parfaitement déconnectée, la prise de courant et la prise d'alimentation de l'appareil doivent être déconnectées de l'alimentation. Pour mettre hors tension l'appareil, débranchez la fiche d'alimentation de la prise secteur.
30. La fiche de l'appareil ne doit pas être obstruée ou doit être facilement accessible pendant l'utilisation.
31. Les piles ne doivent pas être exposées à une chaleur excessive telle que la lumière du soleil, des flammes, etc.
32. Il doit y avoir une distance minimale de 10 cm autour de l'appareil pour garantir une ventilation suffisante.
33. L'aération ne doit pas être bloquée en obstruant les orifices d'aération avec des objets tels que des journaux, des nappes, des rideaux, etc.
34. Ne posez pas de flamme nue, comme une bougie allumée, sur l'appareil.
35. Veuillez considérer les questions environnementales lors de la mise au rebut des piles.
36. Utilisez l'appareil uniquement en climat tempéré ; évitez environnements très froids ou très chauds
37. La plaque signalétique se situe sous l'appareil.
38. Cet appareil n'est pas conçu pour une utilisation par des personnes (y compris les enfants) à capacités physiques, sensorielles ou mentales réduites, ou manquant d'expérience et de connaissances, sauf dans le cas où une personne responsable de leur sécurité leur ont appris à utiliser de l'appareil ;
39. Ce produit est uniquement destiné à un usage domestique, non à un usage commercial ni industriel.
40. Assurez-vous que l'unité est en position stable. La garantie ne couvre aucun dégât occasionné par l'utilisation de ce produit en position instable ou par le non-suivi de tout autre avertissement ou précaution contenu dans ce guide d'utilisation.

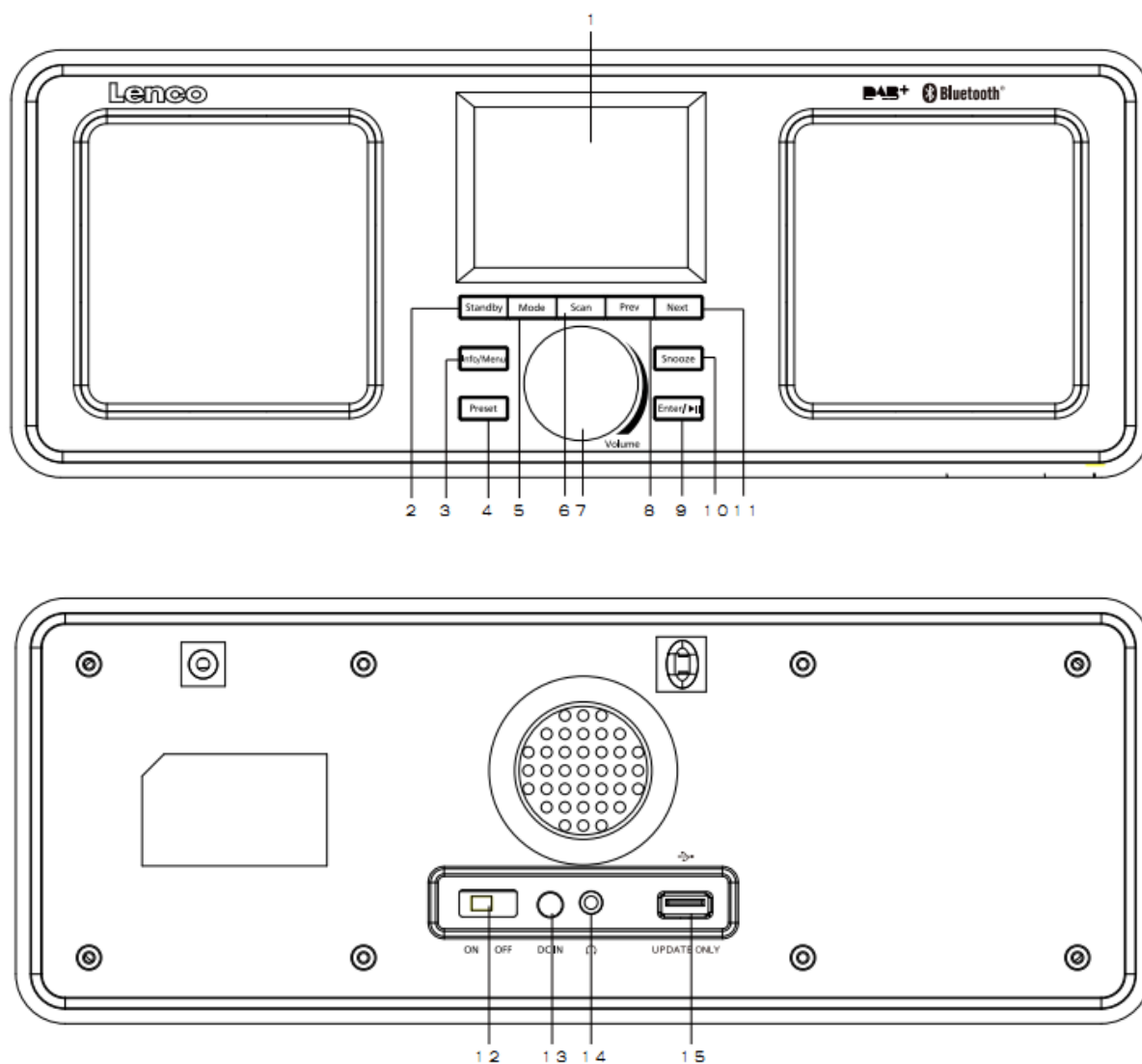
41. Ne retirez jamais retirer le boîtier de l'appareil.
42. Ne placez jamais l'appareil sur un autre équipement électrique.
43. N'utilisez ni ne rangez ce produit dans un lieu exposé directement à la lumière du soleil, à la chaleur, à des poussières ou vibrations excessives.
44. N'utilisez pas d'eau ou d'autres liquides pour nettoyer ce produit.
45. Ne bloquez ni ne recouvrez les fentes et trous de ce produits.
46. N'insérez pas de corps étrangers dans les fentes ni dans les trous du produit.
47. Ne laissez pas les sacs en plastique à la portée des enfants.
48. Vérifiez que la tension figurant sur la plaque signalétique de votre appareil correspond à celle de votre secteur (la plaque signalétique se situe à l'arrière de l'appareil).
49. Protégez le cordon d'alimentation (personne ne doit marcher dessus et il ne doit pas être pincé en particulier au niveau des prises), les prises de courant et le point où les prises sortent de l'appareil.
50. Utilisez uniquement les accessoires recommandés par le fabricant.
51. Confiez l'entretien et les réparations à un personnel qualifié. L'appareil doit être réparé s'il a été endommagé, notamment si le cordon d'alimentation ou la prise sont endommagés, si un liquide a été renversé ou si des objets sont tombés sur l'appareil, si l'appareil a été exposé à la pluie ou l'humidité, s'il ne fonctionne pas correctement, ou s'il est tombé.
52. N'utilisez pas un cordon ou une fiche d'alimentation endommagés ni une prise desserrée. Vous risqueriez de causer un incendie ou une décharge électrique.
53. La clé usb doit être branchée directement dans l'appareil. N'utilisez pas de câble d'extension car cela peut causer des interférences résultant sur une perte de données.

« à pleine puissance, l'écoute prolongée du baladeur peut endommager l'oreille de l'utilisateur »

INSTALLATION

- Déballez tous les composants puis retirez les éléments d'emballage.
- Ne raccordez pas l'unité au secteur avant d'avoir vérifié la compatibilité de la tension secteur.
- Ne couvrez pas les orifices de ventilation et assurez-vous qu'il y ait suffisamment d'espace autour de l'unité afin de permettre une correcte ventilation.

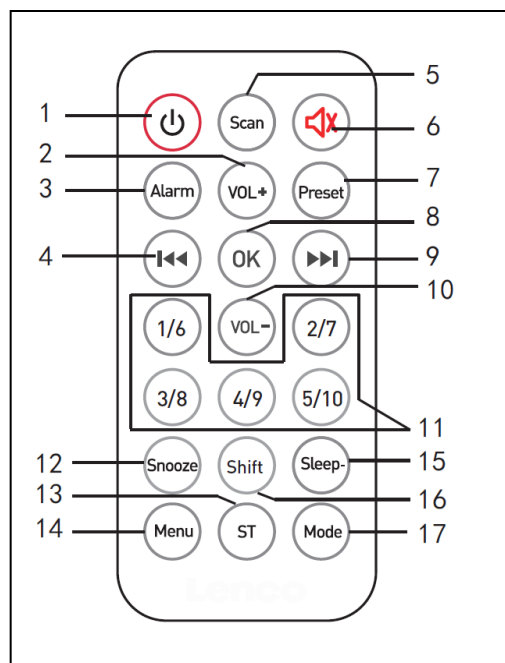
Présentation du produit



1. Afficheur LCD
2. Bouton veille
3. Bouton Info/menu
4. Bouton Présélection
5. Bouton Mode
6. Bouton Recherche
7. Molette Vol+/Vol-
8. Bouton Précédent
9. Bouton Entrée/Lecture/Pause
10. Bouton de sonnerie
11. Bouton Suiv
12. Interrupteur marche/arrêt
13. Prise DC IN (entrée CC)
14. Prise écouteurs
15. Prose de mäj logique

Télécommande

1. Bouton veille
2. Bouton Vol+
3. Bouton Alarme
4. Bouton Précédent
5. Bouton Recherche
6. Bouton Sourdine
7. Bouton Présélection
8. Bouton OK
9. Bouton suiv
10. Bouton Vol-
11. Numéros de présélection
12. Bouton de sonnerie
13. Bouton stéréo
14. Bouton du menu
15. Bouton Veille
16. Bouton de changement de présélection
17. Bouton Mode



Instructions

Fonctionnement de base

Première utilisation de la radio

Connectez la radio à l'adaptateur d'alimentation fourni.

Branchez l'autre extrémité à la prise d'alimentation.

Réglez l'interrupteur ON/OFF en position ON, puis l'appareil affichera « Welcome to digital Radio » (Bienvenue sur la radio numérique).

Appuyez une fois sur le bouton Veille pour mettre en marche l'appareil.

Sélection des modes

Quand la radio est en marche, appuyez sur le bouton Mode plusieurs fois pour basculer entre les modes DAB + et FM.

Fonctionnement DAB+

La première fois que vous sélectionnez la radio DAB+, appuyez sur le bouton Scan pour que la radio recherche et mémorise toutes les stations DAB+. À la fin de la recherche automatique, votre radio sélectionne la première station syntonisée.

Sélection de stations. Avec votre radio en marche :

Appuyez sur le bouton Mode pour sélectionner le mode DAB+.

Appuyez sur le bouton Préc ou Suiv pour naviguer dans la liste des stations.

Appuyez sur le bouton Enter pour syntoniser la station actuellement affichée sur l'écran.

Vous pouvez régler le volume en tournant la molette Volume vers la gauche ou la droite.

Fonctionnement FM

Quand la radio est en marche, appuyez sur le bouton Mode et sélectionnez le mode FM.

Appuyez sur le bouton Préc ou Suiv pour syntoniser manuellement les fréquences spécifiques par paliers de 0,05 MHz.

Cette radio inclut également la fonctionnalité de recherche FM, ce qui permet de syntoniser automatiquement des FM.

Appuyez sur le bouton Scan pour rechercher automatiquement la prochaine station de radio disponible. Quand une station est trouvée, elle est lue automatiquement.

Vous pouvez rechercher des stations dans le sens inverse en maintenant enfoncé le bouton Scan.

Mémorisation de stations comme présélections

La radio peut mémoriser 10 stations comme présélections en mode DAB+ et FM. Pour mémoriser une station en tant que présélection :

Syntonisez la station voulue, maintenez enfoncé le bouton Preset, puis utilisez le bouton Préc ou Suiv pour sélectionner le numéro de présélection voulu. Ensuite, maintenez enfoncé le bouton de présélection pendant 2 secondes, l'écran indique Preset Store< xx: (Empty)> (mémoriser en tant que présélection< xx : (vide)), puis sélectionnez avec le bouton Prev ou Next la présélection voulue à mémoriser.

Appuyez sur le bouton Enter pour mémoriser la station. Le message « Preset xx stored » (Présélection xx mémorisée) s'affiche maintenant sur l'écran.

Lecture de stations mémorisées comme présélections

Pour lire une station présélectionnée :

Sélectionnez la bande (DAB+ ou FM) de la station en appuyant sur le bouton Mode.

Appuyez sur le bouton Preset pour charger la station présélectionnée, puis en utilisant le bouton Préc ou Suiv pour parcourir vos présélections et appuyez sur le bouton Enter pour confirmer.

Réglage automatique de l'heure

Quand vous mettez en marche la radio pour la première fois, elle se synchronisera automatiquement avec l'heure locale tout en recherchant des stations DAB+. Si l'heure ne s'est pas été réglée toute seule, essayez de changer l'emplacement de l'appareil pour améliorer le signal.

Réglages système

Une fois que l'appareil est en marche, maintenez enfoncé le bouton Info/Menu. Ceci ouvre le « Set Menu » (Menu de réglage).

Appuyez sur le bouton Préc ou Suiv pour sélectionner la sous-option voulue.

Réglage de l'heure/de la date

Maintenez enfoncé le bouton Info/Menu, <Time/Date> (heure/date) s'afficheront sur l'écran, appuyez sur le bouton Enter pour accéder au mode de réglage de l'heure.

Les heures clignotent. Appuyez sur le bouton Préc ou Suiv pour régler les heures. Appuyez sur le bouton Enter pour confirmer.

Répétez les deux dernières étapes pour régler les minutes, l'année, le mois et le jour.

Version du système

Vous pouvez consulter le numéro de la version du logiciel en maintenant enfoncé le bouton Info/Menu. Appuyez sur le bouton Préc ou Next jusqu'à ce que <System Version> (Version du système) s'affiche sur l'écran, puis appuyez sur le bouton Enter pour confirmer.

Réinitialisation de la radio

La réinitialisation de la radio supprimera toutes les stations DAB syntonisées et toutes les stations mémorisées en modes FM et DAB. Pour réinitialiser la radio :

Maintenez enfoncé le bouton INFO/MENU.

Appuyez sur le bouton Préc ou Suiv jusqu'à ce que <Factory reset> (réinitialisation des paramètres d'usine) s'affiche sur l'écran, appuyez sur le bouton Enter et <Yes> (oui) ou <No> (non) s'affiche sur l'écran. Utilisez le bouton Préc ou Suiv pour sélectionner <Yes> (oui).

Appuyez sur le bouton Enter, puis la radio se réinitialise.

Réglage de la mise en veille

Maintenez enfoncé le bouton INFO/MENU.

Appuyez sur le bouton Préc ou Suiv jusqu'à ce que <Sleep Set> (réglage de la mise en veille) s'affiche sur l'écran, appuyez sur le bouton Enter.

Appuyez sur le bouton Préc ou Suiv pour sélectionner l'une des options suivantes : OFF(désactivé)-120-90-60-45-30-15-5 minutes.

Appuyez sur le bouton Enter pour confirmer.

Utilisation de l'alarme

Réglage d'alarme

Quand la radio est en marche, maintenez enfoncé le bouton Info/Menu.

Ensuite, appuyez sur le bouton Préc ou Suiv pour choisir Alarm 1 (alarme 1) en position ON (activé), puis appuyez sur le bouton Enter pour confirmer.

Les heures clignotent, utilisez le bouton Préc ou Suiv pour sélectionner les heures. Appuyez sur le bouton Enter pour confirmer.

Les minutes clignotent, utilisez le bouton Préc ou Suiv pour sélectionner les minutes. Appuyez sur le bouton Enter pour confirmer.

Les chiffres du volume clignotent, utilisez le bouton Préc ou Suiv pour sélectionner le volume. Appuyez sur le bouton Enter pour confirmer.

Le mode s'alarme clignotera, utilisez le bouton Préc ou Next pour sélectionner la source d'alarme : Alarme/DAB/FM. Appuyez sur le bouton Enter pour confirmer.

Quand la radio est en marche, maintenez enfoncé le bouton Info/Menu.

Ensuite, appuyez sur le bouton Préc ou Suiv pour choisir Alarm 2 (alarme 1) en position ON (activé), puis appuyez sur le bouton Enter pour confirmer.

La procédure de réglage est identique à celle de « ALARM1 ».

Désactivation de l'alarme

Maintenez enfoncé le bouton Info/Menu, puis sélectionnez l'alarme à désactiver grâce au bouton Préc ou Suiv pour choisir Alarm (alarme) en position OFF (désactivé).

Appuyez sur le bouton Enter. L'alarme se désactivera.

Éteindre le réveil

Appuyez sur le bouton Standby pour désactiver l'alarme quand l'alarme sonne.

REMARQUE : L'alarme continuera de sonner pendant 60 minutes si vous ne la désactivez pas quand elle sonne.

Fonction de rappel d'alarme

Quand l'alarme sonne, appuyez sur le bouton Snooze pour désactiver l'alarme provisoirement. L'alarme s'arrête et reprendra au bout de 9 minutes.

Informations sur la station en mode DAB

À chaque fois que vous appuyez sur le bouton Info/Menu en mode DAB, l'écran affichera en boucle les modes d'affichage suivants :

Segment d'étiquette dynamique (DLS) : Affiche les informations du texte défilant fournies par le diffuseur.

Puissance du signal : Affiche une barre de signal indiquant la puissance de station en cours.

Taux d'erreurs sur les bits (BER) : Fournit des détails du taux d'erreur de signal.

Fréquence des stations : Affiche le numéro et la fréquence du canal de transmission de la station.

Type de programme (PTY) : Affiche le type et la description du programme fourni par la station DAB.

Heure et date : Affiche les informations sur l'heure et la date fournies par le diffuseur.

Débit binaire : Le débit de données auquel le signal est transmis.

Informations sur la station en mode FM

À chaque fois que vous appuyez sur le bouton Info/Menu en mode FM, l'écran affichera en boucle les modes d'affichage suivants :

Type de programme : Affiche une description du programme fournie par la station de radio.

Puissance du signal : Affiche une barre de signal indiquant la puissance de station en cours.

Heure et date : Affiche les informations sur l'heure et la date fournies par le diffuseur.

Fréquence : Affiche la fréquence de transmission de la station.

Type audio : Affiche le type audio de la station en cours (stéréo ou mono).

Texte radio : Affiche les informations du texte défilant fournies par le diffuseur.

Remarque : Pour basculer entre mono et stéréo en appuyant sur le bouton Enter plusieurs fois.

Nouvelle syntonisation de votre radio DAB+/FM

Vous pouvez re-syntoniser vos stations de radio afin de mémoriser de nouvelles stations ou syntoniser les fréquences d'une nouvelle région. Vos stations présélectionnées resteront en mémoire quand vous faites une nouvelle recherche complète. En mode DAB :

Appuyez sur le bouton Scan pour réaliser une recherche complète.

La progression sera indiquée sur l'écran.

Une fois que la syntonisation est terminée, la radio lira la première station de la liste ou reviendra à la dernière station lue.

Utilisation d'écouteurs

Vous pouvez écouter votre radio DAB/FM en utilisant des écouteurs, il suffit de brancher la fiche de 3,5 mm dans la prise casque à l'arrière de votre appareil. Réglez le volume grâce à la molette du volume.

Bluetooth

Pour choisir un mode, naviguez dans les options grâce au bouton « Mode ». Les options s'afficheront sur l'écran avant.

Activez le Bluetooth sur votre téléphone, puis « Lenco DAR-015 » s'affichera. Cliquez dessus pour vous connecter. Quand l'appareil émet un son bref, cela signifie que la connexion est établie.

Pour choisir une musique, vous devrez choisir l'album ou la liste de lecture à partir de votre téléphone, et après avoir fait votre sélection vous pouvez utiliser le bouton Prev ou Next pour sélectionner les pistes précédentes ou suivantes.

Pour mettre en pause la lecture de la musique, appuyez sur le bouton lecture/pause. Pour reprendre la lecture de la musique, appuyez sur le bouton lecture/pause.

La distance de fonctionnement entre l'appareil et un appareil Bluetooth est d'environ 10 mètres, sans obstacle.

FAQ

Problème	Solution
Pas d'alimentation	Vérifiez que le système est branché sur une prise secteur opérationnelle. Vérifiez que l'adaptateur d'alimentation, CC est correctement branché à la prise CC sur la radio.
Aucun son	Vérifiez que le volume n'est pas réglé au minimum.
Réception médiocre	Réorientez l'antenne FM afin d'améliorer la réception.
Fonctionnement perturbé	Si aucune des solutions ci-dessus ne fonctionne, essayez d'éteindre et de débrancher votre radio.

Caractéristiques

Alimentation électrique	CA 100-240V
Plage de fréquence	FM 87,5 –à 108 MHz DAB 174 à 240 MHz
Connecteur de sortie	Prise d'écouteurs de 3,5 mm
Antenne	Antenne télescopique
Puissance de sortie :	2 x 5W
Max. Puissance consommée	18W
Adaptateur d'alimentation (uniquement pour l'Europe)	
Fabricant de l'adaptateur	Dongguan Yuan Shuai Electronic Co., Ltd
Entrée	CA 100-240V~50/60Hz, 0,65A max
Sortie	CC 9V/2A
Numéro de modèle de l'adaptateur	YeS04S-0900200VH
Utilisez uniquement l'adaptateur CA d'origine	
Utilisez uniquement l'alimentation électrique indiquée dans le mode d'emploi	

Garantie

Lenco propose un service et une garantie conformément à la législation européenne, ce qui signifie qu'en cas de besoin de réparation (aussi bien pendant et après la période de garantie), vous pouvez contacter votre revendeur le plus proche.

Remarque importante : Il n'est pas possible de renvoyer l'appareil pour réparation directement à Lenco.

Remarque importante : Si l'unité est ouverte ou modifiée de quelque manière que ce soit par un réparateur non agréé, la garantie serait caduque.

Cet appareil ne convient pas à une utilisation professionnelle. En cas d'utilisation professionnelle, les obligations de garantie du fabricant seront annulées.

Clause de non-responsabilité

Des mises à jour du logiciel et/ou des composants informatiques sont régulièrement effectuées. Il se peut donc que certaines instructions, caractéristiques et images présentes dans ce document diffèrent légèrement de votre configuration spécifique. Tous les articles décrits dans ce guide sont fournis uniquement à des fins d'illustration et peuvent ne pas s'appliquer à une configuration spécifique. Aucun droit légal ne peut être obtenu depuis les informations contenues dans ce manuel.

Mise au rebut de l'appareil usagé



Ce symbole indique que le produit électrique concerné ou la batterie ne doivent pas être jetés parmi les autres déchets ménagers en Europe. Pour garantir un traitement correct du déchet de la batterie ou de l'appareil, veuillez les mettre au rebut conformément aux règlements locaux en vigueur relatifs aux appareils électriques et autres batteries. En agissant de la sorte, vous contribuerez à la préservation des ressources naturelles et à l'amélioration des niveaux de protection environnementale concernant le traitement et la destruction des déchets électriques (directive sur les déchets des équipements électriques et électroniques).

Service après-vente

Pour en savoir plus et obtenir de l'assistance, visitez www.lenco.com
Lenco Benelux BV, Thermiekstraat 1a, 6361 HB, Nuth, Pays-Bas.

¡PRECAUCION!

El uso de controles o ajustes distintos, o llevar a cabo procedimientos distintos a aquéllos aquí especificados puede tener como consecuencia una exposición peligrosa a la radiación.

Esta unidad no debe ser ajustada ni reparada por ninguna persona, salvo por el personal de servicio técnico cualificado.

PRECAUCIONES DE USO**TENGA SIEMPRE EN CUENTA LAS SIGUIENTES INSTRUCCIONES:**

1. No use esta tableta cerca del agua.
2. Límpiela solo con un paño ligeramente humedecido.
3. No cubra ni obstruya ninguna de las aberturas de ventilación. Cuando coloque la tableta en una estantería, deje un espacio de como mínimo 5 cm (2") a su alrededor para una adecuada ventilación.
4. Instale según lo especificado en el manual del usuario que se le proporciona.
5. No pise ni pellizque el cable de alimentación. Tenga mucho cuidado, particularmente cerca del enchufe y por donde el cable sale del aparato. No coloque elementos pesados sobre el cable de alimentación, ya que estos podrían dañarlo. Mantenga la tableta fuera del alcance de los niños. Si estos jugaran con el cable de alimentación, podrían resultar seriamente dañados.
6. Desenchufe esta tableta durante las tormentas o cuando no la use durante periodos prolongados.
7. Mantenga la tableta alejada de fuentes de calor como radiadores, estufas, fuegos de cocina, velas encendidas y otros productos generadores de calor.
8. Evite usar el aparato cerca de potentes campos magnéticos.
9. El normal funcionamiento del producto podrá verse alterado por esd. Si así fuera, efectúe una operación de reset y reinicie el aparato siguiendo el manual de instrucciones. Durante la transmisión de archivos, por favor, tenga cuidado y use la tableta en un entorno sin electricidad estática.
10. Advertencia! No introduzca objetos en el producto a través de las aberturas de ventilación u otros orificios. Por el producto pasa un flujo continuo de corriente, por lo que la inserción de un objeto podría causar una descarga eléctrica y/o un cortocircuito de los componentes internos. Por el mismo motivo, no vierta ni derrame agua o líquidos sobre el producto.
11. No use el aparato en lugares húmedos o mojados, como baños, cocinas que despidan vapor o cerca de piscinas.
12. No use esta tableta cuando pudiera formarse condensación.
Esta unidad ha sido fabricada siguiendo todas las regulaciones de seguridad. Los siguientes consejos de seguridad deberían prevenir un uso irresponsable y los peligros que de dichos usos se deriven.
13. A pesar de que esta unidad ha sido cuidadosamente fabricada y revisada rigurosamente antes de abandonar la fábrica, como sucede con todos los aparatos eléctricos, es posible que surjan algunos problemas. Si percibiera humo, un calor excesivo proveniente del aparato o cualquier otro fenómeno anormal, desconecte el enchufe de la toma de corriente inmediatamente.
14. Este aparato debe estar bien ventilado en todo momento
15. Esta unidad deberá funcionar con una toma de corriente que suministre un voltaje como el que indica la etiqueta de especificaciones. Si no estuviera seguro del tipo de voltaje de su hogar, consulte a su distribuidor o a la compañía eléctrica local.
16. La toma de alimentación deberá estar instalada cerca del equipo, siendo además fácilmente accesible.
17. No sobrecargue las tomas de corriente ni cables extensores. La sobrecarga podría provocar un incendio o descarga eléctrica.
18. Los dispositivos de clase 1 deberán conectarse a una toma de corriente con una conexión a tierra de protección.
19. Los aparatos con un adaptador de clase ii no necesitan una conexión de toma de tierra.
20. Mantenga a los roedores alejados del aparato. A estos les encanta mordisquear los cables de alimentación.
21. Desenchufe el aparato tirando del enchufe. No tire del cable. De hacerlo, podría provocar un cortocircuito.
22. No coloque el aparato sobre superficies que puedan ser sometidas a vibraciones o impactos.
23. Para proteger la unidad durante una tormenta, desenchufe el cable de alimentación.
24. Cuando no use la tableta por un periodo prolongado, por motivos de seguridad, desenchufe el cable de alimentación.
25. Para limpiar el aparato, utilice un trapo suave y seco. No use disolventes ni líquidos con base de gasolina. Para manchas rebeldes, podrá usar un paño humedecido con detergente diluido.

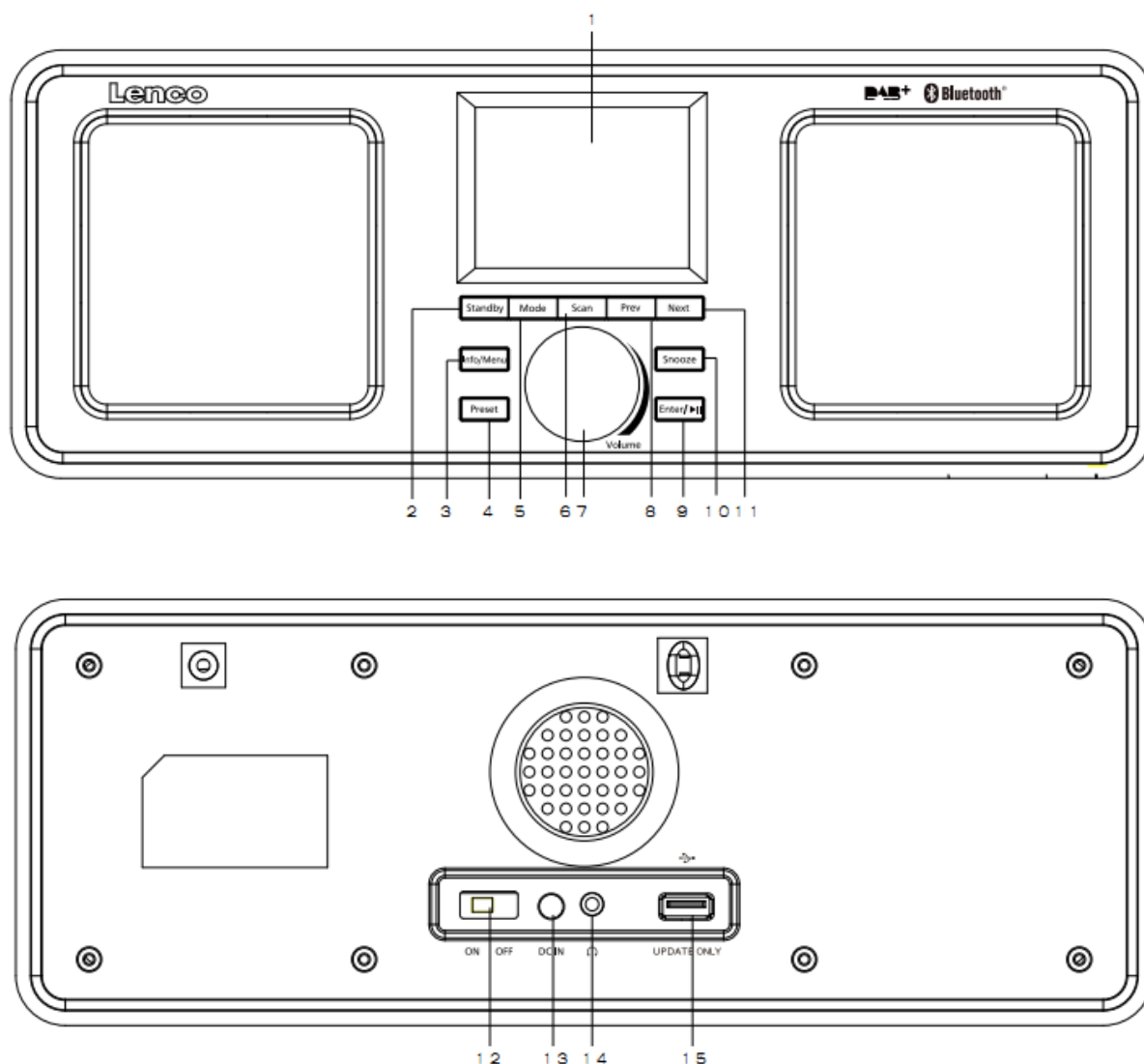
26. El distribuidor no se hace responsable de los daños o pérdida de datos causados por un fallo de funcionamiento, uso inadecuado o modificación del aparato o sustitución de las pilas.
27. No interrumpa la conexión cuando el dispositivo se esté formateando o transfiriendo archivos, de lo contrario, algunos podrían corromperse o perderse.
28. El aparato no debe exponerse a goteos ni a salpicaduras de agua, ni deben colocarse objetos que contengan líquido, como jarrones, sobre el mismo.
29. Para desconectarlo completamente de la alimentación, el enchufe del aparato deberá desconectarse completamente de la toma de corriente. El dispositivo de desconexión es el enchufe del aparato.
30. El enchufe de alimentación del aparato no debe estar obstruido y debe quedar fácilmente accesible durante el uso.
31. La batería no debe exponerse a un calor excesivo, como la luz solar, fuego o similares.
32. Deje una distancia mínima de 10 cm alrededor del aparato para permitir la ventilación necesaria.
33. No debe impedirse la ventilación cubriendo las aperturas con objetos como periódicos, manteles, cortinas, etc.
34. No deben colocarse fuentes de llama, como velas encendidas, sobre el aparato.
35. Debe prestarse atención a los aspectos medioambientales sobre la eliminación de baterías.
36. Utilice este aparato únicamente en climas moderados, y evite entornos extremadamente fríos o cálidos.
37. La etiqueta de clasificación se encuentra en el panel inferior del aparato.
38. Para proteger a niños o personas débiles del peligro de aparatos eléctricos, tenga en cuenta que este aparato sólo se puede utilizar bajo vigilancia. Este aparato no es ningún juguete. No deje jugar a niños pequeños con ello.
39. Este producto está destinado únicamente al uso doméstico y no al uso comercial ni al industrial.
40. Asegúrese de que la unidad esté fijada en una posición estable. Los daños provocados por utilizar este producto en una posición inestable o por no seguir cualquier otra advertencia o precaución incluida en este manual de usuario no estarán cubiertos por la garantía.
41. No retire nunca la carcasa de este aparato.
42. No coloque nunca este aparato sobre otros equipos eléctricos.
43. No utilice ni guarde el producto en lugares expuestos a la luz solar directa, a altas temperaturas, a la vibración ni en ambientes excesivamente polvorientos.
44. No limpie el producto con agua ni con otros líquidos.
45. No obstruya ni cubra las ranuras u orificios presentes en el producto.
46. No introduzca objetos extraños en las ranuras u orificios presentes en el producto.
47. Mantenga las bolsas de plástico fuera del alcance de los niños.
48. Compruebe que el voltaje en la placa de características del aparato se corresponde con el suministro eléctrico de su hogar (la placa de características se encuentra en la parte posterior de la unidad).
49. Proteja el cable de alimentación para evitar que lo pisen o aplasten, especialmente en los enchufes, tomas de corriente y el lugar en que sale del aparato.
50. Use únicamente los dispositivos/accesorios especificados por el fabricante.
51. Remita todas las reparaciones al personal cualificado. Es necesario mantenimiento cuando el aparato ha sido dañado de alguna manera, como cuando el cable de alimentación o el enchufe están deteriorados, se ha derramado líquido o han caído objetos sobre el aparato, el aparato ha sido expuesto a la lluvia o humedad, si no funciona normalmente, o se ha caído.
52. No utilice un cable de alimentación o enchufe deteriorado o una toma suelta. Si lo hace, podría provocar un incendio o una descarga eléctrica.
53. La unidad de memoria usb deberá ser conectada directamente a la unidad. No use un cable de extensión usb, ya que podría causar interferencias que darían como resultado fallos de datos.

Advertencia: una exposición prolongada a sonidos fuertes de reproductores de música personales podría acarrear la pérdida temporal o permanente de oído.

INSTALACIÓN

- Desembale todas las piezas y quite el material protector.
- No conecte la unidad a la red eléctrica antes de revisar el voltaje de la toma y de realizar todas las demás conexiones.
- No cubra ninguna abertura de ventilación y asegúrese de que haya un espacio de varios centímetros alrededor de la unidad para la ventilación.

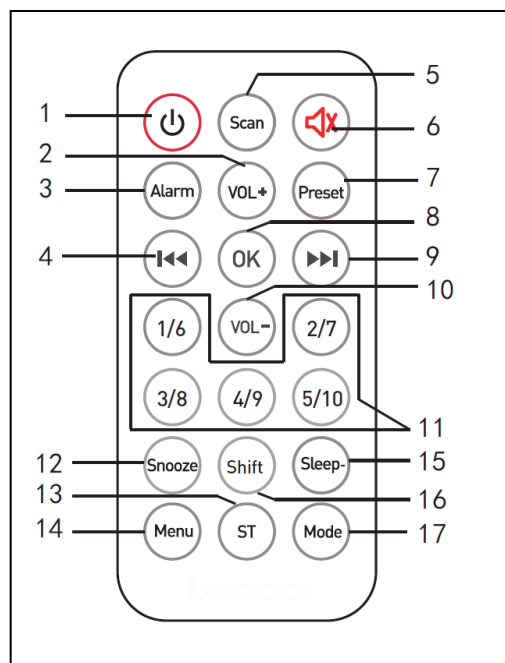
Descripción general del producto



1. Pantalla LCD
2. Botón de modo de espera
3. Botón Info/Menú
4. Botón de Presintonía
5. Botón de Modo
6. Botón de Búsqueda de emisoras
7. Dial Volumen +/ Volumen -
8. Botón anterior
9. Botón entrar / reproducción / pausa
10. Botón de posponer alarma
11. Botón Siguiente
12. Interruptor de Encendido/Apagado
13. Toma de ENTRADA CC
14. Toma de auriculares
15. Toma de actualización de SOFTWARE

Mando a distancia

1. Botón de modo de espera
2. Botón Volumen +
3. Botón alarma
4. Botón anterior
5. Botón de Búsqueda de emisoras
6. Botón Silencio
7. Botón de Presintonía
8. Botón OK
9. Botón Siguiente
10. Botón Volumen -
11. Números de presintonía
12. Botón de posponer alarma
13. Botón Estéreo
14. Botón de menú
15. Botón de apagado automático
16. Botón cambio de presintonía
17. Botón de Modo



Instrucciones

Funcionamiento básico

Encender la radio por primera vez

Conecte la radio con el adaptador de alimentación que se adjunta.

Conecte el otro extremo a la toma de corriente.

Cambie el interruptor ON/OFF a la posición ON; la unidad mostrará "Bienvenido a la radio digital".

Pulse el botón Standby para encenderla.

Seleccionar los modos

Cuando se encienda la radio, pulse el botón Mode de forma reiterada para cambiar entre los modos DAB + y FM.

Funcionamiento de DAB

Cuando seleccione por primera vez la radio DAB+, al pulsar el botón Scan se buscará y almacenarán todas las emisoras DAB+ disponibles. Una vez que se ha completado la búsqueda automática, la radio seleccionará la primera emisora sintonizada.

Selección entre emisoras. Con la radio encendida:

Pulse el botón Mode para seleccionar el modo DAB+.

Pulse el botón Prev o Next para navegar a través de la lista de emisoras.

Pulse el botón Enter para sintonizar la emisora que se muestra actualmente en la pantalla.

Puede ajustar el volumen girando Volumen a la izquierda o derecha.

Funcionamiento de FM

Con la radio encendida, pulse el botón Mode para seleccionar el modo FM.

Pulse el botón Prev o Next para sintonizar manualmente frecuencias específicas mediante 0.05MHz por paso.

La radio asimismo incluye la propiedad de búsqueda de FM, lo que le permite sintonizar automáticamente las emisoras FM.

Pulse el botón Scan para buscar automáticamente la siguiente emisora de radio disponible. Cuando se encuentre una emisora se reproducirá automáticamente.

Puede buscar emisoras en dirección contraria manteniendo pulsado el botón Scan.

Guardar emisoras como presintonizaciones

La radio puede guardar 10 emisoras como presintonizaciones tanto en modo DAB+ como en modo FM. Para guardar una presintonización:

Sintonice la emisora que desee; mantenga pulsado el botón Preset y posteriormente usando el botón Prev o Next seleccione el número de presintonía que desee. Posteriormente, mantenga pulsado el botón de presintonía durante 2 segundos; la pantalla indica Preset Store< xx: (Empty)>; ahora, seleccione con el botón Prev o Next la presintonía que desee para guardar.

Pulse el botón Enter para guardar la emisora. Aparecerá en la pantalla el mensaje "Preset xx stored".

Reproducir emisoras guardadas como presintonías

Para reproducir una emisora presintonizada:

Seleccione la banda (DAB+ o FM) de la emisora pulsando el botón Mode.

Pulse el botón Preset para recordar la emisora presintonizada; posteriormente, use el botón Prev o Next para navegar por las presintonías y pulse el botón Enter para confirmarlo.

Configurar la hora automáticamente

Cuando encienda la radio por primera vez, se sincronizará automáticamente con la hora local mientras busca emisoras DAB+. Si la hora no se ha fijado por sí misma intente cambiar la ubicación del dispositivo para obtener una mejor señal.

Configuración del sistema

Con la unidad encendida, mantenga pulsado el botón Info/Menu. Esto abrirá el "Menú Configurar".

Pulse el botón Prev o Next para seleccionar la subopción que desee.

Ajustar la hora/fecha

Mantenga pulsado el botón Info/Menu; se mostrará en pantalla la <Time/Date> (Hora/Fecha); pulse el botón Enter para entrar en el modo de configuración.

Las horas parpadearán. Pulse el botón Prev o Next para fijar la hora. Pulse el botón Enter para confirmar.

Repita los últimos dos pasos para ajustar los minutos, el año, el mes y la fecha.

Versión del sistema

Puede comprobar el número de versión de software manteniendo pulsado el botón Info/Menu. Pulse el botón Prev o Next hasta que se muestre en la pantalla <System Version>; pulse el botón Enter para confirmarlo.

Restablecer la radio

Reiniciar la radio eliminará todas las emisoras DAB+ sintonizadas y todas las emisoras presintonizadas en la memoria en los modos FM y DAB+. Para reiniciar la radio:

Mantenga pulsado el botón INFO/MENU.

Pulse el botón Prev o Next hasta que aparezca en pantalla <Versión del sistema> (Reinicio a fábrica); pulse el botón Enter y se muestra <Yes> (Sí) o <No> en la pantalla. Use el botón Prev o Next para seleccionar <Yes> (Sí).

Pulse el botón Enter y la radio se reiniciará.

Ajuste de espera

Mantenga pulsado el botón INFO/MENU.

Pulse el botón Prev o Next hasta que se muestre en pantalla <Sleep Set > (Retardo fijado); posteriormente, pulse el botón Enter.

Pulse los botones Prev o Next para seleccionar OFF-120-90-60-45-30-15-5 minutos.

Pulse el botón Enter para confirmar.

Uso de la alarma

Ajustar la alarma

Con la radio encendida, mantenga pulsado el botón Info/Menu.

Posteriormente, pulse el botón Prev o Next para cambiar Alarma 1 a la posición ON; pulse el botón Enter para confirmarlo.

Las horas parpadearán; use el botón Prev o Next para seleccionar la hora. Pulse el botón Enter para confirmarlo.

Los minutos parpadearán; use el botón Prev o Next para seleccionar los minutos. Pulse el botón Enter para confirmarlo.

El dígito de volumen parpadeará; use el botón Prev o Next para seleccionar el volumen. Pulse el botón Enter para confirmarlo.

El modo de la alarma parpadeará; use el botón Prev o Next para seleccionar la fuente de la alarma: Alarma/DAB/FM. Pulse el botón Enter para confirmarlo.

Con la radio encendida, mantenga pulsado el botón Info/Menu.

Posteriormente, pulse el botón Prev o Next para cambiar Alarma 2 a la posición ON; pulse el botón Enter para confirmarlo.

El procedimiento de configuración es el mismo que para "ALARMA 1".

Desactivar la alarma

Mantenga pulsado el botón Info/Menu; posteriormente, seleccione la alarma que desea apagar usando el botón Prev o Next para elegir la posición de Alarma OFF.

Pulse el botón Enter. La alarma se desactivará.

Apagar la alarma

Pulse el botón Standby para apagar la alarma cuando ésta suene.

NOTA: La alarma seguirá sonando durante 60 minutos, si no la apaga mientras suena.

Función de repetición

Cuando suene la alarma, pulse el botón Snooze para apagar la alarma temporalmente. La alarma se retrasará durante 9 minutos y después se volverá a conectar.

Información de emisora en modo DAB

Cada vez que pulse el botón Info/Menu en el modo DAB, la pantalla cambiará según los modos de pantalla siguientes:

Segmento de etiqueta dinámica (DLS): Muestra la información en texto con desplazamiento proporcionada por la emisora.

Intensidad de señal: Muestra una barra de señales con la fuerza de la emisora actual.

Siglas en inglés de tasa de error binario (BER): Ofrece detalles de la tasa de error binario.

Frecuencia del canal: Muestra el número de canal y la frecuencia de transmisión de la emisora.

Tipo de programa (PTY): Muestra el tipo y la descripción del programa proporcionado por la emisora DAB.

Fecha y hora: Muestra la información de hora y fecha proporcionada por la emisora.

Vel bits: La tasa de bits en la cual se transmite la señal.

Información de emisora en modo FM

Cada vez que pulse el botón Info/Menu en el modo FM, la pantalla cambiará según los modos de pantalla siguientes:

Tipo de programa: Muestra la descripción del programa suministrada por la emisora de radio.

Intensidad de señal: Muestra una barra de señales con la fuerza de la emisora actual.

Hora y fecha: Muestra la información de hora y fecha proporcionada por la emisora.

Frecuencia: Muestra la frecuencia de transmisión de la emisora.

Tipo de audio: Muestra el tipo de audio e la emisora actual (Estéreo o Mono).

Radio texto: Muestra la información en texto con desplazamiento proporcionada por la emisora.

Nota: Para cambiar entre mono y estéreo, pulse el botón Enter de forma reiterada.

Resintonizar la radio DAB+/FM

Puede resintonizar las emisoras de la radio para guardar nuevas emisoras o sintonizar una nueva región. Las emisoras presintonizadas permanecerán guardadas cuando realice una resintonización de búsqueda completa. En modo DAB:

Pulse el botón Scan para realizar una búsqueda completa.

El progreso se indicará en la pantalla.

Cuando se complete la sintonización, la radio reproducirá la primera emisora enumerada o volverá a la última emisora reproducida.

Uso de los auriculares

Puede escuchar la radio DAB/FM usando auriculares; simplemente, conecte la toma de 3.5mm situada en la parte posterior del aparato a la toma de auriculares. Controle el volumen usando el dial de volumen.

Bluetooth

Para elegir el modo, pulse a través de su elección usando el botón "Mode". Las elecciones aparecen en la pantalla delantera.

Encienda el Bluetooth en su teléfono y aparecerá "Lenco DAR-015". Haga clic en esto para conectarse. Cuando la unidad haga un sonido breve, se habrá conectado con éxito.

Para elegir la música, es necesario elegir el álbum o la lista de reproducción del teléfono, pero una vez seleccionada, puede usar el botón Prev o Next para seleccionar las pistas siguientes o anteriores.

Para hacer una pausa en la reproducción de música, pulse el botón play/pause; para reanudar la reproducción de música, vuelva a pulsar el botón play/pause.

El alcance operativo entre la unidad y un dispositivo Bluetooth es de aproximadamente 10 metros, sin ningún objeto en el camino.

Preguntas frecuentes

Problema	Solución
No se enciende	Compruebe que el sistema está conectado a una toma de corriente que funcione. Compruebe que el adaptador de alimentación CC está debidamente conectado a la entrada CC de la radio.
No hay sonido	Compruebe que el control de volumen no esté en la configuración mínima.
Mala recepción	Ajuste la ubicación de la antena para una mejor recepción de la señal.
Función perturbada	Si no funciona ninguna de las soluciones de arriba, intente apagar y desenchufar la radio.

Especificaciones

Alimentación CC	CA 100-240V
Rango de frecuencias	FM 87,5-108 MHz DAB 174-240 MHz
Conector de salida	Toma de auriculares de 3,5 mm
Antena aérea	Antena telescópica
Salida de potencia	2 x 5W
Consumo de energía	18W
Adaptador de corriente (Sólo para la UE)	
Fabricante del adaptador	Dongguan Yuan Shuai Electronic Co., Ltd
Entrada	CA 100-240V~50/60Hz, 0,65A Máximo
Salida	CC 9V/2A
Número de modelo de adaptador	YeS04S-0900200VH
Utilice únicamente el adaptador de CA original	
Utilice solo la alimentación eléctrica indicada en las	

Garantía

Lenco ofrece servicio y garantía en cumplimiento con las leyes de la Unión Europea, lo cual implica que, en caso de que su producto precise ser reparado (tanto durante como después del periodo de garantía), deberá contactar directamente con su distribuidor.

Nota importante: No es posible enviar sus reparaciones directamente a Lenco.

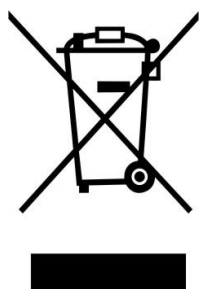
Nota importante: Si la unidad es abierta por un centro de servicio no oficial, la garantía quedará anulada.

Este aparato no es adecuado para el uso profesional. En caso de darle un uso profesional, todas las obligaciones de garantía del fabricante quedarán anuladas.

Exención de responsabilidad

Regularmente se llevan a cabo actualizaciones en el Firmware y en los componentes del hardware. Por esta razón, algunas de las instrucciones, especificaciones e imágenes incluidas en este documento pueden diferir ligeramente respecto a su situación particular. Todos los elementos descritos en esta guía tienen un objetivo de mera ilustración, y pueden no ser de aplicación en su situación particular. No se puede obtener ningún derecho ni derecho legal a partir de la descripción hecha en este manual.

Eliminación del antiguo dispositivo



Este símbolo indica que no deberá deshacerse del producto eléctrico o batería en cuestión junto con los residuos domésticos, en el ámbito de la UE. Para garantizar un tratamiento residual correcto del producto y su batería, por favor, elimínelos cumpliendo con las leyes locales aplicables sobre requisitos para el desecho de equipos eléctricos y baterías. De hacerlo, ayudará a conservar recursos naturales y mejorar los estándares de protección medioambiental en el tratamiento y eliminación de residuos eléctricos (Directiva sobre la Eliminación de Equipos Eléctricos y Electrónicos).

Servicio

Para obtener más información y soporte del departamento técnico, por favor, visite la página web www.lenco.com
Lenco Benelux BV, Thermiekstraat 1a, 6361 HB, Nuth, Países Bajos.