

Classic Phono **by Lenco**

Turntable with Bluetooth and USB player/ recorder

TT-116

Platenspeler met bluetooth en USB-speler/-recorder

TT-116

Plattenspieler mit Bluetooth und USB-Wiedergabe/Aufnahme

TT-116

Tourne-disque avec Bluetooth et lecteur/enregistreur USB

TT-116

Tocadiscos con Bluetooth y reproductor/grabador USB

TT-116

Giradischi con Bluetooth e lettore USB/registratore

TT-116

Pladespiller med Bluetooth og USB-afspiller/-optager

TT-116

Skivspelare med Bluetooth och USB-uppspelning/inspelning

TT-116

Gira-discos com Bluetooth e leitor/gravador USB

TT-116



INSTRUCTION MANUAL

For information and support, www.lenco.com

Index :

English.....	3
Nederlands	14
Deutsch.....	25
Français.....	36
Español	47
Italiano.....	58
Dansk/Norsk	69
Svenska	80
Português.....	91

CAUTION:

Usage of controls or adjustments or performance of procedures other than those specified herein may result in hazardous radiation exposure.

PRECAUTIONS BEFORE USE

KEEP THESE INSTRUCTIONS IN MIND:

1. Do not cover or block any ventilation openings. When placing the device on a shelf, leave 5 cm (2") free space around the whole device.
2. Install in accordance with the supplied user manual.
3. Keep the device away from heat sources such as radiators, heaters, stoves, candles and other heat-generating products or naked flame. The device can only be used in moderate climates. Extremely cold or warm environments should be avoided. Working temperature between 0° and 35°C.
4. Avoid using the device near strong magnetic fields.
5. Electrostatic discharge can disturb normal usage of this device. If so, simply reset and restart the device following the instruction manual. During file transmission, please handle with care and operate in a static-free environment.
6. Warning! Never insert an object into the product through the vents or openings. High voltage flows through the product and inserting an object can cause electric shock and/or short circuit internal parts. For the same reason, do not spill water or liquid on the product.
7. Do not use in wet or moist areas such as bathrooms, steamy kitchens or near swimming pools.
8. The device shall not be exposed to dripping or splashing and make sure that no objects filled with liquids, such as vases, are placed on or near the apparatus.
9. Do not use this device when condensation may occur. When the unit is used in a warm wet room with damp, water droplets or condensation may occur inside the unit and the unit may not function properly; let the unit stand in power OFF for 1 or 2 hours before turning on the power: the unit should be dry before getting any power.
10. Although this device is manufactured with the utmost care and checked several times before leaving the factory, it is still possible that problems may occur, as with all electrical appliances. If you notice smoke, an excessive build-up of heat or any other unexpected phenomena, you should disconnect the plug from the main power socket immediately.
11. This device must operate on a power source as specified on the specification label. If you are not sure of the type of power supply used in your home, consult your dealer or local power company.
12. Keep away from animals. Some animals enjoy biting on power cords.
13. To clean the device, use a soft dry cloth. Do not use solvents or petrol based fluids. To remove severe stains, you may use a damp cloth with dilute detergent.
14. The supplier is not responsible for damage or lost data caused by malfunction, misuse, modification of the device or battery replacement.
15. Do not interrupt the connection when the device is formatting or transferring files. Otherwise, data may be corrupted or lost.
16. If the unit has USB playback function, the USB memory stick should be plugged into the unit directly. Don't use an USB extension cable because it can cause interference resulting in failing of data.
17. The rating label has been marked on the bottom or back panel of the device.
18. This device is not intended for use by people (including children) with physical, sensory or mental disabilities, or a lack of experience and knowledge, unless they're under supervision or have received instructions about the correct use of the device by the person who is responsible for their safety.
19. This product is intended for non professional use only and not for commercial or industrial use.
20. Make sure the unit is adjusted to a stable position. Damage caused by using this product in an unstable position vibrations or shocks or by failure to follow any other warning or precaution contained within this user manual will not be covered by warranty.
21. Never remove the casing of this device.
22. Never place this device on other electrical equipment.
23. Do not allow children access to plastic bags.
24. Only use attachments/accessories specified by the manufacturer.

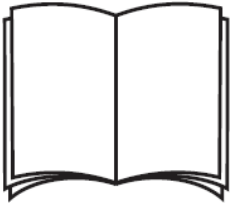
25. Refer all servicing to qualified service personnel. Servicing is required when the device has been damaged in any way, such as the power supply cord or the plug, when liquid has been spilled or objects have fallen into the device, when the device has been exposed to rain or moisture, does not operate normally, or has been dropped.
26. Long exposure to loud sounds from personal music players may lead to temporary or permanent hearing loss.
27. If the product is delivered with power cable or AC power adaptor:
 - If any trouble occur, disconnect the AC power cord and refer servicing to qualified personnel.
 - Don't step on or pinch the power adaptor. Be very careful, particularly near the plugs and the cable's exit point. Do not place heavy items on the power adaptor, which may damage it. Keep the entire device out of children's reach! When playing with the power cable, they can seriously injure themselves.
 - Unplug this device during lightning storms or when unused for a long period.
 - The socket outlet must be installed near the equipment and must be easily accessible.
 - Do not overload ac outlets or extension cords. Overloading can cause fire or electric shock.
 - Devices with class 1 construction should be connected to a main socket outlet with a protective earthed connection.
 - Devices with class 2 construction do not require a earthed connection.
 - Always hold the plug when pulling it out of the main supply socket. Do not pull the power cord. This can cause a short circuit.
 - Do not use a damaged power cord or plug or a loose outlet. Doing so may result in fire or electric shock.
28. If the product contains or is delivered with a remote control containing coin/cell batteries:
Warning:
 - "Do not ingest battery, Chemical Burn Hazard" or equivalent working.
 - [The remote control supplied with] This product contains a coin/button cell battery. If the battery is swallowed, it can cause severe internal burns in just 2 hours and can lead to death.
 - Keep new and used batteries away from children.
 - If the battery compartment does not close securely, stop using the product and keep it away from children.
 - If you think batteries might have been swallowed or placed inside any part of the body, seek immediate medical attention.
29. Caution about the use of Batteries:
 - Danger of explosion if battery is incorrectly replaced. Replace only with the same or equivalent type.
 - Battery cannot be subjected to high or low extreme temperatures, low air pressure at high altitude during use, storage or transportation.
 - Replacement of a battery with an incorrect type that can result in an explosion or the leakage of flammable liquid or gas.
 - Disposal of a battery into fire or a hot oven, or mechanically crushing or cutting of a battery, that can result in an explosion.
 - Leaving a battery in an extremely high temperature surrounding environment that can result in an explosion or that leakage of flammable liquid or gas.
 - A battery subjected to extremely low air pressure that may result in an explosion or the leakage of flammable liquid or gas.
 - Attention should be drawn to the environmental aspects of battery disposal.

INSTALLATION

- Unpack all parts and remove protective material.
- Do not connect the unit to the mains before checking the mains voltage and before all other connections have been made.

Accessories included:

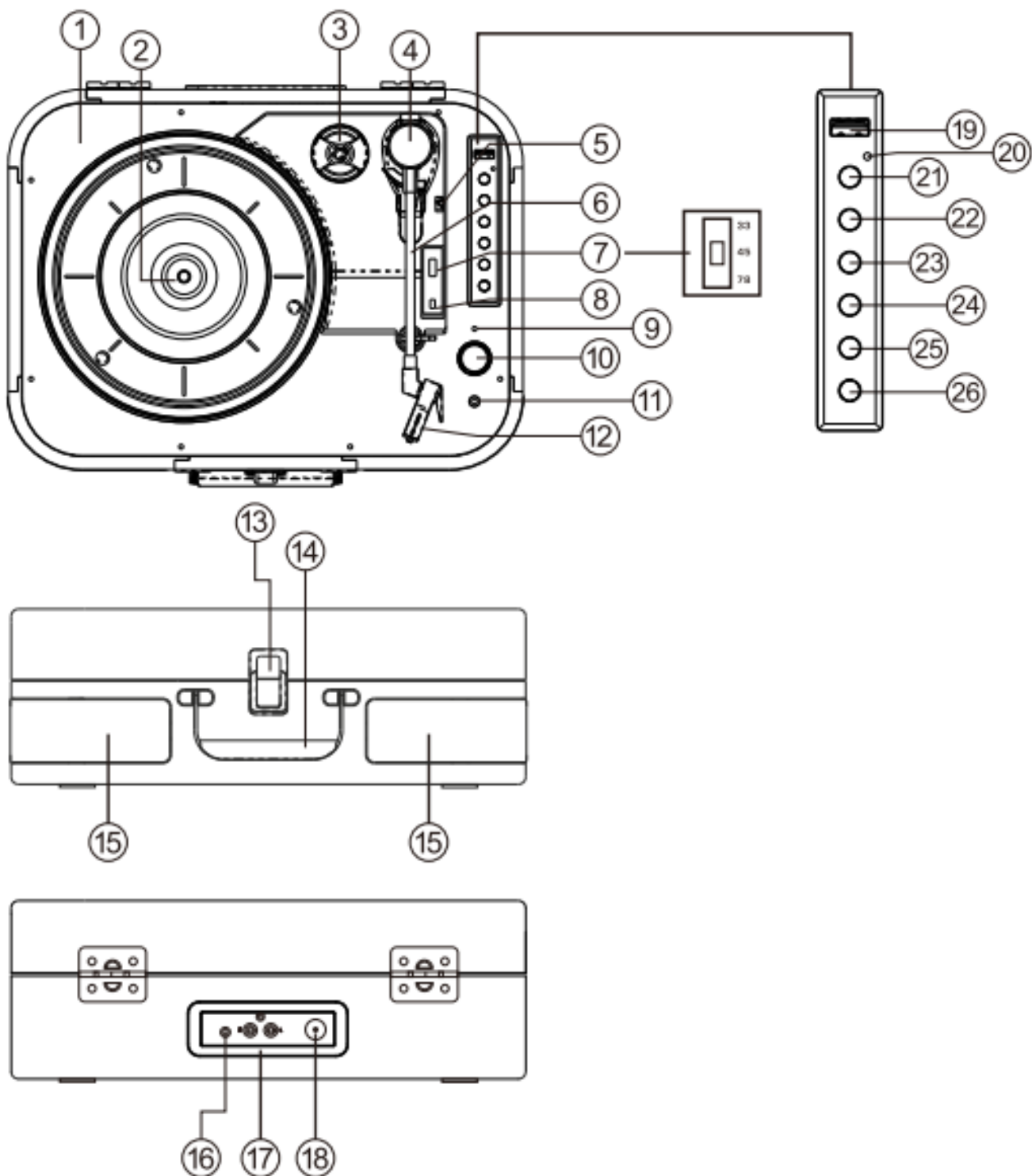
User manual



Power adaptor



Location of Controls



1. Turntable deck
2. Turntable shaft

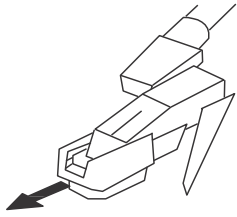
3. Center hole adaptor
4. Tone arm
5. Cueing lever
6. Tone arm clip
7. Turntable speed selector
8. Auto stop control switch
9. LED status indicator
10. Power switch/Volume control
11. Headphone jack
12. Stylus
13. Lock catch
14. Carrying handle
15. Speaker
16. Aux in jack
17. Line out channel R/L
18. DC in jack
19. USB slot
20. Function LED
21. Recording
22. Previous track
23. Next track
24. Play/pause
25. Mode
26. Pair

Mode

1. Short press “Mode” to select the playing mode.
2. Blue LED will be flashed when Bluetooth is pairing.
3. Blue LED will be illuminated when Bluetooth is connected
4. Red LED will be illuminated when it is turntable mode/Aux in mode.
5. Green LED will be illuminated when it is USB mode.

Using the turntable

1. Place the turntable case on a flat level surface.
2. Insert the adaptor cord into the Dc jack at the rear of the case and plug the adaptor into the mains supply socket.
3. On first use, ensure that the cable tie is removed from the player arm.
4. Remove the stylus cover and keep in a safe place for future use



5. Move the speed selector to the speed (33,45 or 78rpm) corresponding to the record to be played
6. Turn the Volume knob to turn the turntable on and the mode indicator will illuminate red
7. Place a record onto the turntable spindle and unclip the tone arm
8. Use the cueing lever to lift the tone arm and move the arm so that the stylus is positioned just inside the edge of the record or aligned with the start of the track to be played.
9. Slowly lower the arm and after a short interval the record will start to play
10. Adjust the volume to the desired level by rotating the volume control knob
11. When the end of the record has been reached the turntable will stop
12. Use the lever again to lift the tone arm (the deck will start to rotate again), move it back to the clip and lower into the cradle. The deck will stop
13. Secure the tone arm using the clip and refit the stylus cover after use and always before moving the turntable
14. To turn off the turntable at any time, lift the tone arm on the record and turn the volume knob fully anticlockwise.

Note

Some records have larger center hole and it may be necessary to fit the center hole adaptor to the turntable shaft before placing the record on the turntable. Always refit the stylus cover and secure the turntable arm using the clip before moving the turntable.

Using with auxiliary device

1. Auxiliary analogue audio equipment can be connected and amplified via the turntable.
2. Connect the auxiliary equipment using a 3.5mm jack cable (cable not included) into the Aux in jack.
3. Press the play button on the auxiliary equipment and use the track controls as usual on the auxiliary device.
4. The volume can be adjusted using the volume knob on the turntable or the controls on the connected auxiliary device.
5. To turn off the unit at any time turn the volume knob fully anticlockwise.

Using headphones (not included)

A stereo headphone jack has been provided so that the turntable can be used without disturbing others. Plug in the headphones at the point marked headphone near the volume knob and adjust the listening volume to your chosen level. Excessive sound pressure from earphones and headphones can cause hearing loss. The turntable speakers will not operate when earphones are fitted.

Connecting the turntable to external speaker

In connecting the turntable to external speakers (via a suitable amplifier), use a twin phono to twin phono lead (not included) to connect the RCA output jacks to the Audio in of the amplifier. Ensure red plugs are inserted into the red sockets and white into white.

Using with Bluetooth device

Check that your turntable is in Bluetooth mode. If you are not already in Bluetooth mode, short press the Mode button until you are in Bluetooth mode (Blue LED will be illuminated). It will begin to search for Bluetooth devices (Blue LED flashed during pairing).

In Bluetooth Mode:

1. Your device will search for Bluetooth.
2. On the device (e.g. iPhone/iPad/Android/other phone/Tablet/Computer), turn on Bluetooth connectivity and ensure that it is 'discoverable'.

Note: If necessary, refer to the instructions for your device to add or set up Bluetooth.

3. Select to 'Add new device', if necessary.

Note: Some products will automatically search for a new device and so the 'Add new device' option is not available.

4. When found, your device will be displayed as 'Lenco TT-116'. Select and begin pairing.
5. When pairing is complete 'Bluetooth Connected' will be displayed.
6. Now that you have paired your device with the turntable, it will connect to it when it is within range, which is about 10 meter or less (33 feet or less), line of sight.
7. Your device will remain paired with the turntable unless you decide to disconnect or 'unpair' it.
8. You can short press "Pair" to reconnect.

Playing Bluetooth

1. Press "Previous" for previous track of your Bluetooth device.
2. Press "Next" for next track of your Bluetooth device.
3. Press "Play/pause" for play or pause of your Bluetooth device.

"This product has a bluetooth **reception** function, **you can not transmit any bluetooth sound with it:** this means that you can receive wirelessly a bluetooth sound signal from an external source like a smartphone."

Using with USB playback

1. Connect USB flash or MP3 player into the USB port.
2. It will play automatically

Using with USB encoding

You can record a vinyl record, Bluetooth and Aux in Mp3 to a USB flash.

1. Connect USB flash into the USB port.
2. Press "mode" to select Bluetooth, turntable or Aux that you intend to be recorded to the USB.
3. Press "REC", the LED will be flashed. And it is recording.
4. To stop recording, press "REC" again.

HOW TO REPLACE THE NEEDLE

To replace the needle, please refer to the instructions below.

Removing the needle from the cartridge

1. Place a screwdriver at the tip of the stylus and push downward as shown in direction "A".
2. Remove the stylus by pulling the stylus forward and pushing downward.

Installing the Stylus

1. Hold the tip of the stylus and insert the stylus by pressing as shown in direction "B".
2. Push the stylus upward as in direction "C" until the stylus locks into the tip position.



Guide Pins (inside)

Guide Pins (inside)

NOTES

We advise you to clean your records with an anti-static cloth to gain maximum enjoyment from them.

We would also point out that for the same reason your stylus should be replaced periodically (approximately every 250 playback hours)

TIPS FOR BETTER TURNTABLE PERFORMANCE

1. When opening or closing the turntable cover, handle it gently, gripping it either at the centre or at each side.
2. Do not touch the needle tip with your fingers; avoid bumping the needle against the turntable platter or record edge.
3. Frequently clean the needle tip-use a soft brush in a "back-to-front" motion only.

Use only the power supply listed in the user instructions.

Information	Value and precision
Manufacturers name or trade mark, commercial registration and address	DongGuan Obelieve Electronic Co., Ltd Huazhaoxin Industrial park B-4/F, Golden phoenix industrial zone, Fenggan town, Dongguan city, Guangdong province, China
Model Identifier	OBL-0501000E / OBL-0501000B
Input voltage	100-240V
Input AC frequency	50/60Hz
Output voltage	5V
Output current	1A
Output Power	5W
Average active efficiency	73.62
No load Power consumption	≤ 0.10

Guarantee

Commaxx B.V. offers service and warranty in accordance to European law, which means that in case of repairs (both during and after the warranty period) you should contact your local dealer.

Important note: It is not possible to send products that need repairs to Commaxx B.V. directly.

Important note: If this unit is opened or accessed by a non-official service center in any way, the warranty expires.

This device is not suitable for professional use. In case of professional use, all warranty obligations of the manufacturer will be voided.

Disclaimer

Updates to Firmware and/or hardware components are made regularly. Therefore some of the instruction, specifications and pictures in this documentation may differ slightly from your particular situation. All items described in this guide for illustration purposes only and may not apply to particular situation. No legal right or entitlements may be obtained from the description made in this manual.

Disposal of the Old Device



This symbol indicates that the relevant electrical product or battery should not be disposed of as general household waste in Europe. To ensure the correct waste treatment of the product and battery, please dispose them in accordance to any applicable local laws of requirement for disposal of electrical equipment or batteries. In so doing, you will help to conserve natural resources and improve standards of environmental protection in treatment and disposal of electrical waste (Waste Electrical and Electronic Equipment Directive).

DECLARATION OF CONFORMITY

Hereby, Commaxx declares that the radio equipment type [Lenco TT-116] is in compliance with directive 2014/53/EU.

The full text of the EU declaration of conformity is available at the following internet address:

https://commaxx-certificates.com/doc/tt-116_doc.pdf

Type RF	Frequency range (MHz)	Power (dBm)
Bluetooth	2402-2480	<6



WARNING: To prevent possible hearing damage, do not listen at high volume levels for long periods.

Service

For more information and helpdesk support, please visit support.lenco.com

Commaxx B.V. Wiebachstraat 37, 6466 NG Kerkrade, The Netherlands.

VOORZICHTIG:

Het gebruik van bedieningen of afstellingen of het uitvoeren van procedures anders dan hierin gespecificeerd, kan leiden tot blootstelling aan gevaarlijke straling.

VOORZORGSMAATREGELEN VÓÓR GEBRUIK

NEEM DEZE INSTRUCTIES IN ACHT:

1. Bedek of blokkeer geen van de ventilatieopeningen. Als u het apparaat op een schap plaatst, dient u voor 5 cm (2") vrije ruimte rondom het gehele apparaat te zorgen.
2. Installeer in overeenstemming met de meegeleverde gebruikshandleiding.
3. Houd het apparaat uit de buurt van warmtebronnen zoals radiatoren, kachels, fornuizen, kaarsen en andere warmtegenererende producten of open vuur. Het apparaat kan alleen worden gebruikt in gematigde klimaten. Extreem koude of warme omgevingen dienen te worden vermeden. Bedrijfstemperatuur tussen 0° en 35°C.
4. Gebruik het apparaat niet in de buurt van krachtige magnetische velden.
5. Elektrostatische ontlading kan de normale werking van dit apparaat verstoren. In dit geval kunt u het apparaat gewoon resetten en herstarten volgens de gebruiksaanwijzingen. Wees voorzichtig tijdens de bestandsoverdracht en voer dit uit in een omgeving zonder statische interferentie.
6. Waarschuwing! Steek geen voorwerpen in het product via de ventilatie- of andere openingen. Er is hoge spanning aanwezig in het product en als u er een voorwerp insteekt, kan dat tot elektrische schokken en/of kortsluiting van de interne onderdelen leiden. Laat om dezelfde reden geen water of vloeistof op het product terechtkomen.
7. Gebruik het apparaat niet in natte of vochtige ruimtes zoals badkamers, keukens met veel stoom of in de buurt van zwembaden.
8. Stel het apparaat niet bloot aan druppels of spetters en zorg ervoor dat er geen met vloeistof gevulde voorwerpen, zoals vazen, op of in de buurt van het apparaat worden geplaatst.
9. Gebruik dit apparaat niet als er condensatie kan optreden. Wanneer het apparaat in een warme en vochtige kamer wordt gebruikt, dan kunnen er waterdruppeltjes of condensatie binnenin het apparaat worden gevormd waardoor het apparaat mogelijk niet meer goed werkt; houd en apparaat 1 of 2 uur op UIT staan voordat u de voeding weer inschakelt: het apparaat dient droog te zijn voordat deze stroom ontvangt.
10. Al is dit apparaat met de grootste zorg vervaardigd en meerdere keren gecontroleerd voordat deze de fabriek verlaat, is het toch mogelijk dat er problemen optreden, zoals bij alle elektrische apparaten. Als u rook, overmatige warmteontwikkeling of andere onverwachte verschijnselen constateert, dient u onmiddellijk de stekker uit het stopcontact te trekken.
11. Dit apparaat moet van stroom worden voorzien door een bron zoals aangegeven op het specificatielabel. Als u niet zeker weet welk type stroomvoorziening in uw huis wordt gebruikt, neem dan contact op met uw dealer of het plaatselijke energiebedrijf.
12. Houd uit de buurt van dieren. Sommige dieren bijten graag op voedingskabels.
13. Gebruik een zachte, droge doek om het apparaat schoon te maken. Gebruik geen oplosmiddelen of vloeistoffen op benzinebasis. U kunt een vochtige doek met verdund schoonmaakmiddel gebruiken om hardnekkige vlekken te verwijderen.
14. De leverancier is niet verantwoordelijk voor schade of verlies van gegevens veroorzaakt door storing, misbruik, modificatie van het apparaat of vervanging van de batterij.
15. Onderbreek de verbinding niet terwijl het apparaat bestanden formatteert of overdraagt. Gegevens kunnen anders corrupt of verloren raken.
16. Als het apparaat een USB-afspeelfunctie heeft, moet de USB-geheugenstick rechtstreeks in het apparaat worden gestoken. Gebruik geen USB-verlengsnoer, omdat deze interferentie kan veroorzaken waardoor uw gegevens verloren kunnen gaan.
17. Het classificatielabel is te vinden op de onder- of achterkant van het apparaat.
18. Dit product is niet bestemd voor gebruik door personen (waaronder kinderen) met verminderde fysieke, zintuiglijke of mentale capaciteiten, of met een tekort aan kennis en ervaring, tenzij een persoon verantwoordelijk voor hun veiligheid toezicht houdt of instructies heeft gegeven voor het correcte gebruik van het apparaat.
19. Dit product is uitsluitend bedoeld voor niet-professioneel gebruik en niet voor commercieel of industrieel gebruik.

20. Zorg ervoor dit apparaat op een stabiele plek te plaatsen. Beschadigingen veroorzaakt door het gebruik van dit apparaat in een onstabiele positie, trillingen of schokken of door het niet opvolgen van andere waarschuwingen of voorzorgsmaatregelen beschreven in deze gebruikshandleiding, worden niet gedekt door de garantie.
21. Verwijder nooit de behuizing van dit apparaat.
22. Plaats dit apparaat nooit op andere elektrische apparatuur.
23. Houd plastic zakken uit de buurt van kinderen.
24. Gebruik alleen hulpstukken/accessoires gespecificeerd door de fabrikant.
25. Laat alle onderhoud over aan bevoegd onderhoudspersoneel. Onderhoud is vereist wanneer het apparaat op enigerlei wijze is beschadigd, zoals een beschadigde voedingskabel of stekker, wanneer er vloeistof is gemorst of voorwerpen in het apparaat zijn gevallen, wanneer het apparaat is blootgesteld aan regen of vocht, niet normaal functioneert of is gevallen.
26. Langdurige blootstelling aan harde geluiden van persoonlijke muzikspelers kan leiden tot tijdelijk of permanent gehoorverlies.
27. Als het product wordt geleverd met een voedingskabel of AC-stroomadapter:
 - Als er problemen optreden, koppel de AC-voedingskabel dan los en laat reparaties over aan bevoegd personeel.
 - Niet op de stroomadapter gaan staan of deze indrukken. Wees zeer voorzichtig, vooral in de buurt van de stekkers en waar de kabel uit het apparaat komt. Plaats geen zware voorwerpen op de stroomadapter, om beschadiging ervan te voorkomen. Houd het gehele apparaat buiten bereik van kinderen! Wanneer kinderen met de voedingskabel spelen, kunnen zij ernstig letsel oplopen.
 - Koppel dit apparaat los tijdens onweer of wanneer deze voor een lange periode niet wordt gebruikt.
 - Het stopcontact moet in de buurt van de apparatuur zijn geïnstalleerd en eenvoudig te bereiken zijn.
 - Zorg ervoor stopcontacten of verlengsnoeren niet te overbelasten. Overbelasting kan tot brand of elektrische schokken leiden.
 - Apparaten met een klasse 1 constructie moeten worden aangesloten op een stopcontact met een beschermende aardverbinding.
 - Apparaten met een klasse 2 constructie vereisen geen aardverbinding.
 - Houd altijd de stekker vast wanneer u deze uit het stopcontact trekt. Trek niet aan de voedingskabel. Dit kan anders een kortsluiting veroorzaken.
 - Gebruik geen beschadigde voedingskabel of stekker of een los stopcontact. Dit kan anders leiden tot brand of elektrische schokken.
28. Als het product een afstandsbediening met knoop-/celbatterijen bevat of daarmee wordt geleverd:
Waarschuwing:
 - "Batterij niet inslikken, gevaar op chemische brandwonden" of soortgelijke werking.
 - [De afstandsbediening meegeleverd met] Dit product bevat een knoop-/celbatterij. Als de batterij wordt ingeslikt, kan deze in slechts 2 uur ernstige en zelfs fatale interne brandwonden veroorzaken.
 - Houd zowel nieuwe als gebruikte batterijen uit de buurt van kinderen.
 - Als het batterijvak niet goed sluit, gebruik het product dan niet langer en houd het uit de buurt van kinderen.
 - Als u denkt dat batterijen zijn ingeslikt of in een lichaamsdeel zijn geplaatst, dient u onmiddellijk medische hulp in te roepen.
29. Waarschuwing m.b.t. het gebruik van batterijen:
 - Risico op ontploffing als de batterij incorrect is geïnstalleerd. Vervang alleen door hetzelfde of een gelijkwaardig type.
 - Stel de batterij niet bloot aan extreem hoge of lage temperaturen of een lage luchtdruk op grote hoogte tijdens gebruik, opslag of transport.
 - Vervanging van een batterij door een incorrect type kan leiden tot een ontploffing of de lekkage van ontvlambare vloeistoffen of gas.
 - Verwijdering van een batterij in vuur of een hete oven of het mechanisch verpletteren of snijden van een batterij kan leiden tot een ontploffing.
 - Laat een batterij nooit achter in omgevingen met extreem hoge temperaturen, anders kan dit leiden tot een ontploffing of de lekkage van ontvlambare vloeistoffen of gas.
 - Stel een batterij nooit bloot aan een extreem lage luchtdruk, anders kan dit leiden tot een ontploffing of de lekkage van ontvlambare vloeistoffen of gas.

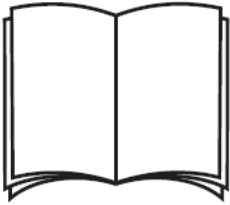
- Houd rekening met de impact op het milieu bij het afdanken van batterijen.

INSTALLATIE

- Pak alle onderdelen uit en verwijder het beschermende materiaal.
- Sluit het apparaat niet aan op het lichtnet voordat de correcte netspanning is geverifieerd en alle andere aansluitingen tot stand zijn gebracht.

Inbegrepen accessoires:

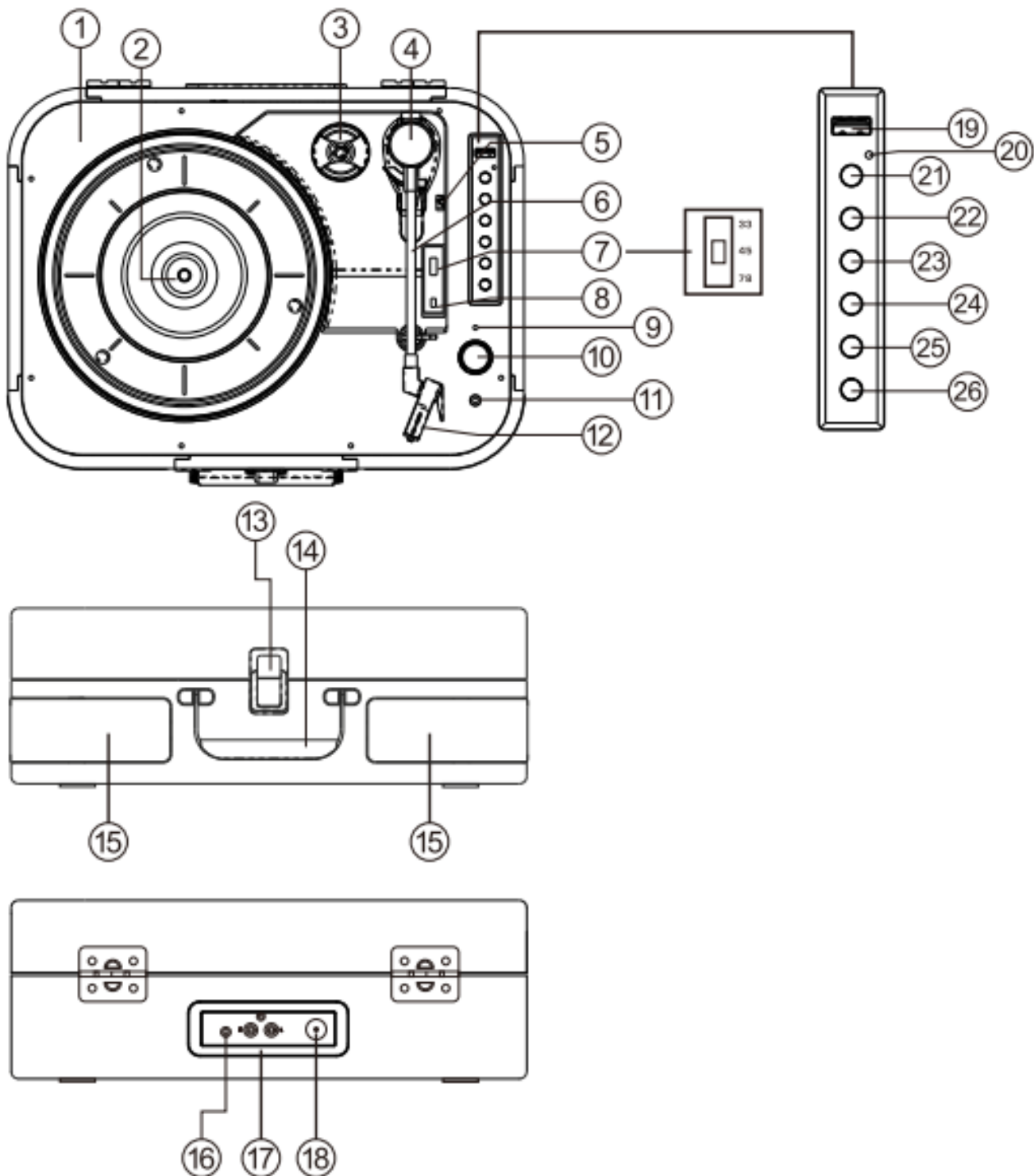
Gebruikshandleiding



Netadapter



Locatie van bedieningen



1. Platenspelerdek
2. Platenspeleras

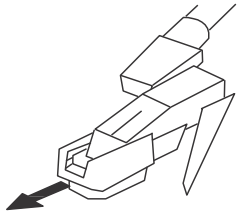
3. Middengatadapter
4. Toonarm
5. Plaatsingshendel
6. Toonarmklem
7. Snelheidsregelaar platenspeler
8. Schakelaar voor bediening automatische stop
9. Led-statusindicator
10. Aan/uit-schakelaar/volumeregeling
11. Hoofdtelefoonaansluiting
12. Naald
13. Vergrendeling
14. DRAAGHENDEL
15. Luidspreker
16. Aux in-aansluiting
17. Line out R/L-kanaal
18. DC in-aansluiting
19. USB-poort
20. Functie-led
21. Opnemen
22. Vorige track
23. Next track
24. Play/pause
25. Mode
26. Koppelen

Modus

1. Druk kort op "Mode" om de afspeelmodus te selecteren.
2. De blauwe led knippert wanneer bluetooth wordt gekoppeld.
3. De blauwe led brandt wanneer bluetooth is gekoppeld.
4. De rode led brandt in de platenspeler/Aux in-modus.
5. De groene led brandt in de USB-modus.

De platenspeler gebruiken

1. Plaats de platenspeler op een vlak, waterpas oppervlak.
2. Steek het snoer van de adapter in de DC-aansluiting aan de achterkant van de behuizing en steek de adapter in het stopcontact.
3. Controleer bij het eerste gebruik of de kabelbinder van de platenspelerarm is verwijderd.
4. Verwijder de naaldkap en bewaar het op een veilige plaats voor toekomstig gebruik



5. Zet de snelheidsregelaar op de snelheid (33, 45 of 78 toeren) die overeenkomt met de af te spelen plaat.
6. Draai de volumeknop om de platenspeler in te schakelen en de modusindicator zal rood branden.
7. Plaats een plaat op de as van de draaitafel en maak de toonarm los.
8. Gebruik de plaatsingshendel om de toonarm op te tillen en verplaats de toonarm zodat de naald net binnen de rand van de plaat staat of in één lijn met het begin van de af te spelen track.
9. Laat de toonarm langzaam zakken. Na een korte pauze wordt de plaat afgespeeld.
10. Stel het volume in op het gewenste niveau door aan de volumeknop te draaien.
11. Wanneer het einde van de plaat is bereikt, stopt de platenspeler.
12. Gebruik de plaatsingshendel opnieuw om de toonarm op te tillen (het dek begint weer te draaien), breng hem terug naar de toonarmklem en laat hem in de houder zakken. Het dek stopt.
13. Zet de toonarm vast met de toonarmklem . plaats de naaldkap altijd terug na gebruik en voordat u de platenspeler verplaatst.
14. Om de platenspeler op enig moment uit te schakelen, tilt u de toonarm van de plaat op en draait u de volumeknop volledig linksom.

Opmerking

Sommige platen hebben een groter middengat en het kan nodig zijn de middengatadapter op de draaitafel te plaatsen voordat u de plaat op de platenspeler legt. Plaats altijd de naaldkap terug en zet de toonarm vast met de toonarmklem voordat u de platenspeler verplaatst.

Met hulpapparaat gebruiken

1. Via de platenspeler kan analoge hulpaudioapparatuur worden aangesloten en versterkt.
2. Sluit de hulpparaat aan met een 3,5 mm kabel (kabel niet meegeleverd) op de Aux in-aansluiting.
3. Druk op de afspeelknop van het hulpapparaat en gebruik de trackbediening zoals gebruikelijk op het hulpapparaat.
4. Het volume kan worden ingesteld met de volumeknop op de platenspeler of met de bedieningen op het aangesloten hulpapparaat.
5. Om het apparaat op elk moment uit te schakelen draait u de volumeknop helemaal linksom.

Een hoofdtelefoon gebruiken (niet meegeleverd)

Er is een stereo hoofdtelefoonaansluiting voorzien zodat de platenspeler kan worden gebruikt zonder anderen te storen.

Sluit de hoofdtelefoon aan op het met hoofdtelefoon gemarkeerde punt bij de volumeknop en stel het luistervolume in op het door u gekozen niveau. Een te hoge geluidsniveau van oortelefoons en hoofdtelefoons

kan gehoorbeschadiging veroorzaken. De luidsprekers van de platenspeler werken niet als er een hoofdtelefoon is aangesloten.

De platenspeler aansluiten op een externe luidspreker

Als u de platenspeler aansluit op externe luidsprekers (via een geschikte versterker), gebruik dan een kabel met dubbele tulpstekkers aan beide uiteinden (niet meegeleverd) om de RCA-uitgangsaansluitingen te verbinden met de audio in-aansluitingen van de versterker. Zorg ervoor dat de rode stekkers in de rode aansluitingen worden gestoken en de witte in de witte.

Met bluetooth-apparaat gebruiken

Controleer of uw platenspeler in de bluetooth-modus staat. Als de platenspeler zich nog niet in de bluetooth-modus bevindt, drukt u kort op de modusknop totdat de platenspeler zich in de bluetooth-modus bevindt (de blauwe led brandt). Hij begint te zoeken naar bluetooth-apparaten (blauwe led knippert tijdens het koppelen).

In bluetooth-modus:

1. Uw apparaat zoekt naar bluetooth.
2. Schakel op het apparaat (bijvoorbeeld iPhone/iPad/Android/andere telefoon/tablet/computer) de bluetooth-connectiviteit in en zorg ervoor dat het apparaat "detecteerbaar" is.

Opmerking: raadpleeg indien nodig de instructies voor uw apparaat om bluetooth in te schakelen of in te stellen.

3. Selecteer indien nodig "Add new device" (Nieuw apparaat toevoegen).

Opmerking: sommige producten zoeken automatisch naar een nieuw apparaat en dus is de optie "Add new device" (Nieuw apparaat toevoegen) niet beschikbaar.

4. Indien gevonden, wordt uw apparaat weergegeven als "Lenco TT-116". Selecteer het en begin met koppelen.
5. Wanneer het koppelen is voltooid, verschijnt "Bluetooth Connected" (Bluetooth verbonden).
6. Nu u uw apparaat met de platenspeler heeft gekoppeld, maakt het verbinding wanneer het binnen bereik is, wat ongeveer 10 meter gezichtslijn of minder is.
7. Uw apparaat blijft gekoppeld met de platenspeler, tenzij u besluit de verbinding te verbreken of te ontkoppelen.
8. U kunt kort op "Koppelen" drukken om opnieuw verbinding te maken.

Bluetooth afspelen

1. Druk op "Previous" voor het vorige nummer op uw bluetooth-apparaat.
2. Druk op "Next" voor het volgende nummer op uw bluetooth-apparaat.
3. Druk op "Play/pause" om af te spelen van of te pauzeren op uw bluetooth-apparaat.

“Dit product heeft een bluetooth-ontvangstfunctie, u kunt geen bluetooth-geluid ermee verzenden: dit betekent dat u draadloos een bluetooth-geluidssignaal kunt ontvangen van een externe bron, zoals een smartphone.”

Met USB-weergave gebruiken

1. Sluit een USB-stick of MP3-speler aan op de USB-poort.
2. Het wordt automatisch afgespeeld.

Met USB-codering gebruiken

U kunt een MP3 van een plaat, via bluetooth en via Aux in opnemen op een USB-stick.

1. Sluit een USB-stick aan op de USB-poort.
2. Druk op "Mode" om de bron bluetooth, platenspeler of Aux in te selecteren die u wilt opnemen op de USB-stick.
3. Druk op "REC", de led knippert. En het neemt op.
4. Om het opnemen te stoppen, drukt u nogmaals op "REC".

DE NAALD VERVANGEN

Raadpleeg de onderstaande instructies om de naald te vervangen.

De naald van de patroon verwijderen

1. Plaats een schroevendraaier op de punt van de naald en duw omlaag in richting "A" zoals aangegeven.
2. Verwijder de naald door deze naar voren te trekken en omlaag te duwen.

De naald installeren

1. Houd de punt van de naald vast en breng de naald in door te drukken in richting "B" zoals aangegeven.
2. Duw de naald omhoog in richting "C" totdat de naald in de puntpositie vergrendeld is.



Geleidepennen (binnen)

Geleidepennen (binnen)

OPMERKINGEN

We raden u aan uw platen te reinigen met een antistatische doek om er maximaal plezier van te hebben.

We wijzen er ook op dat om dezelfde reden uw naald periodiek (ongeveer elke 250 afspeeluren) moet worden vervangen

Wegens voortdurende verbetering kunnen de functies en het ontwerp zonder voorafgaande kennisgeving worden gewijzigd.

Stroomadapter

Gebruik uitsluitend de voeding vermeld in de gebruikshandleiding.

Informatie	Waarde en precisie
Naam of handelsmerk van de fabrikant, handelsregistratie en adres	DongGuan Obelieve Electronic Co, Ltd Huazhaoxin Industrial park B-4/F, Golden phoenix industrial zone, Fenggan town, Dongguan city, Guangdong province, China
Modelaanduiding	OBL-0501000E / OBL-0501000B
Ingangsspanning	100-240 V
AC-ingangsfrequentie	50/60 Hz
Uitgangsspanning	5V
Uitgangsstroom	1A
Uitgangsvermogen	5 W
Gemiddelde actieve efficiëntie	73,62
Stroomverbruik bij geen belasting	≤0,10

Garantie

Commaxx B.V. verleent service en garantie in overeenstemming met de Europese wetgeving, wat betekent dat u bij reparaties (zowel tijdens als na de garantieperiode) contact dient op te nemen met uw lokale dealer.

Belangrijke opmerking: Het is niet mogelijk om te repareren producten direct naar Commaxx B.V. te sturen.

Belangrijke opmerking: Als dit apparaat op enigerlei wijze wordt geopend door de gebruiker of een niet-officieel servicecentrum, komt de garantie te vervallen.

Dit apparaat is niet geschikt voor professioneel gebruik. Bij professioneel gebruik, vervallen alle garantieverplichtingen van de fabrikant.

Disclaimer

Er worden regelmatig updates voor de firmware en/of hardwarecomponenten uitgegeven. Daarom kunnen sommige instructies, specificaties en afbeeldingen in deze documentatie enigszins afwijken van uw specifieke situatie. Alle items beschreven in deze handleiding, zijn alleen bestemd ter illustratie en zijn mogelijk niet van toepassing op een bepaalde situatie. Aan de beschrijving in deze handleiding kunnen geen wettelijke rechten of aanspraken worden ontleend.

Het oude apparaat afdanken



Dit symbool geeft aan dat het betreffende elektrische product of de batterij in Europa niet als algemeen huishoudelijk afval mag worden afgevoerd. Om ervoor te zorgen dat het product en de batterij op de juiste manier worden verwerkt, dient u deze af te danken in overeenstemming met de toepasselijke lokale wetgeving met betrekking tot de verwijdering van elektrische apparatuur of batterijen. U helpt hierdoor natuurlijke hulpbronnen te behouden en de normen voor milieubescherming bij de behandeling en verwijdering van elektrisch afval te verbeteren (richtlijn afgedankte elektrische en elektronische apparatuur).

CONFORMITEITSVERKLARING

Hierbij verklaart Commaxx dat het type radioapparatuur [Lenco TT-116] voldoet aan richtlijn 2014/53/EU.

De volledige tekst van de EU-conformiteitsverklaring is beschikbaar op het volgende internetadres:

https://commaxx-certificates.com/doc/tt-116_doc.pdf

Type RF	Frequentiebereik: (MHz)	Vermogen (dBm)
Bluetooth	2402-2480	<6



WAARSCHUWING: Luister niet gedurende lange perioden op een hoog volume om mogelijke gehoorbeschadiging te voorkomen.

Service

Bezoek voor meer informatie en helpdeskondersteuning support.lenco.com

Commaxx B.V. Wiebachstraat 37, 6466 NG Kerkrade, The Netherlands.

VORSICHT:

Eine andere als die hier beschriebene Benutzung der Bedienelemente oder Einstellung oder Durchführung von Abläufen kann zu einer Aussetzung gefährlicher Strahlung führen.

VORSICHTSMASSNAHMEN VOR DER BENUTZUNG

BEFOLGEN SIE IMMER FOLGENDE ANWEISUNGEN:

1. Blockieren oder bedecken Sie keine Lüftungsöffnungen. Wenn Sie das Gerät auf ein Regal stellen, lassen Sie um das gesamte Gerät 5 cm (2") Freiraum.
2. Stellen Sie das Gerät entsprechend den Anweisungen der mitgelieferten Bedienungsanleitung auf.
3. Halten Sie das Gerät von Hitzequellen wie Radiatoren, Heizern, Öfen, Kerzen oder anderen hitzeerzeugenden Produkten oder offenen Flammen fern. Das Gerät darf nur bei gemäßigttem Klima verwendet werden. Sehr kalte oder heiße Umgebungen sind zu vermeiden. Die Betriebstemperatur liegt zwischen 0 °C und 35 °C.
4. Meiden Sie bei der Benutzung des Produkts die Nähe starker Magnetfelder.
5. Elektrostatische Entladungen können die normale Benutzung dieses Gerätes stören. Sollte dies geschehen, führen Sie einfach einen Reset aus und starten Sie dann das Gerät entsprechend den Anweisungen dieser Bedienungsanleitung neu. Gehen Sie besonders bei Datenübertragungen mit dem Gerät vorsichtig um und führen Sie diese nur in einer anti-elektrostatischen Umgebung aus.
6. Warnung! Niemals Gegenstände durch die Lüftungsschlitze oder Öffnungen in das Gerät stecken. In diesem Gerät fließt Hochspannung und das Hineinstecken von Gegenständen kann zu Stromschlag und/oder Kurzschluss interner elektrischer Bauteile führen. Spritzen/gießen Sie aus dem gleichen Grund weder Wasser noch andere Flüssigkeiten auf das Gerät.
7. Benutzen Sie das Gerät nicht in nasser oder feuchter Umgebung wie Bad, Dampfküche oder in der Nähe von Schwimmbecken.
8. Das Gerät darf weder Tropf- noch Spritzwasser ausgesetzt werden und es dürfen keine mit Flüssigkeit gefüllten Behälter wie z. B. Vasen auf das Gerät oder in der Nähe des Gerätes gestellt werden.
9. Benutzen Sie das Gerät nicht, wenn Kondensation entstehen kann. Wenn Sie das Gerät in einem warmen, feuchten Raum mit Dampf benutzen, können Wassertropfen oder Kondensation in das Gerät eindringen und u. U. zu Fehlfunktionen des Gerätes führen. Schalten Sie in diesem Fall das Gerät für 1 bis 2 Stunden aus, bevor Sie es erneut einschalten, wobei Sie darauf achten sollten, dass das Gerät vollständig getrocknet ist, bevor Sie es wieder einschalten.
10. Obwohl dieses Gerät unter größter Sorgfalt hergestellt und vor Auslieferung mehrmals überprüft wurde, können trotzdem wie bei jedem anderen elektrischen Gerät auch Probleme auftauchen. Trennen Sie das Gerät bei Rauchentwicklung, starker Hitzeentwicklung oder jeder anderen unnatürlichen Erscheinung sofort vom Stromnetz.
11. Dieses Gerät ist durch eine Stromquelle wie auf dem Typenschild angegeben zu betreiben. Halten Sie bei Unsicherheiten über die Art Ihrer Stromversorgung in Ihrer Wohnung Rücksprache mit Ihrem Händler oder Ihrem Stromversorger.
12. Halten Sie das Gerät von Haustieren fern. Einige Nagetiere lieben es, an Netzkabeln zu nagen.
13. Benutzen Sie für die Reinigung ein weiches, trockenes Tuch. Benutzen Sie niemals Lösungsmittel oder Flüssigkeiten auf Ölbasis. Benutzen Sie zum Entfernen hartnäckiger Flecken ein feuchtes Tuch mit mildem Reinigungsmittel.
14. Der Hersteller haftet nicht für Beschädigungen oder Datenverluste aufgrund von Fehlfunktion, Zweckentfremdung oder Modifikation des Gerätes oder aufgrund des Wechsels der Batterie.
15. Unterbrechen Sie die Verbindung nicht während einer Formatierung oder einer Datenübertragung. Bei Unterbrechung drohen Datenverlust und Datenbeschädigung.
16. Wenn das Gerät eine USB-Wiedergabefunktion besitzt, stecken Sie den USB-Stick direkt in das Gerät. Verwenden Sie kein USB-Verlängerungskabel, weil die erhöhte Störungsanfälligkeit zu Datenverlust führen kann.
17. Das Typenschild befindet sich an der Unter- oder Rückseite des Gerätes.
18. Dieses Gerät ist nicht zur Benutzung durch Personen (einschließlich Kinder) mit physischen, sensorischen oder mentalen Beeinträchtigungen oder ohne ausreichende Erfahrung vorgesehen, es sei denn, sie werden durch eine für ihre Sicherheit verantwortliche Person beaufsichtigt oder wurden in die ordnungsgemäße Bedienung des Gerätes durch eine für ihre Sicherheit verantwortliche Person eingewiesen.

19. Dieses Produkt ist nur für den nicht-professionellen Gebrauch und nicht für gewerbliche oder industrielle Zwecke bestimmt.
20. Stellen Sie sicher, dass das Gerät in einer stabilen Position aufgestellt ist. Schäden, die durch Verwendung dieses Produkts in einer instabilen Position, durch Vibrationen, Stöße oder Nichtbeachtung der anderen in diesem Handbuch enthaltenen Warnungen und Sicherheitsmaßnahmen entstehen, werden nicht durch die Garantie abgedeckt.
21. Entfernen Sie niemals das Gehäuse dieses Gerätes.
22. Stellen Sie dieses Gerät niemals auf andere elektrische Geräte.
23. Halten Sie Kinder von den Plastiktüten fern.
24. Benutzen Sie nur vom Hersteller spezifizierte Erweiterungen/Zubehörteile.
25. Lassen Sie alle Wartungs-/Reparaturarbeiten von qualifiziertem Servicepersonal ausführen. Reparatur/Wartung wird notwendig, wenn das Gerät in irgendeiner Weise wie beispielsweise am Netzkabel oder am Netzstecker beschädigt wurde oder wenn Flüssigkeit in das Gerät gelangt ist bzw. Gegenstände in das Gerät gefallen sind, das Gerät Regen oder Feuchtigkeit ausgesetzt war, es heruntergefallen ist oder nicht ordnungsgemäß funktioniert.
26. Langes Hören lauter Töne aus einem Musikgerät kann zu zeitweiligem oder permanentem Hörverlust führen.
27. Wenn zum Lieferumfang des Produkts ein Netzkabel oder ein Netzadapter gehört:
 - Wenn irgendwelche Probleme auftreten, trennen Sie das Gerät vom Stromnetz und setzen Sie sich anschließend mit einer qualifizierten Fachkraft in Verbindung.
 - Treten Sie nicht auf den Netzadapter und klemmen Sie ihn auch nicht ein. Seien Sie besonders im näheren Bereich des Netzsteckers und an der Stelle vorsichtig, an der das Netzkabel aus dem Gerät herausgeführt wird. Stellen Sie keine schweren Gegenstände auf den Netzadapter, da er dadurch beschädigt werden kann. Halten Sie das gesamte Gerät außerhalb der Reichweite von Kindern! Durch Spielen mit dem Netzkabel können sie sich ernsthafte Verletzungen zuziehen.
 - Trennen Sie das Gerät während eines Gewitters oder bei längerer Nichtbenutzung vom Stromnetz.
 - Die Netzsteckdose muss sich in der Nähe des Gerätes befinden und einfach zu erreichen sein.
 - Überlasten Sie Steckdosen und Verlängerungsleitungen nicht. Eine Überlastung kann zu Brandgefahr bzw. Stromschlag führen.
 - Geräte der Schutzklasse 1 müssen Sie an eine Netzsteckdose mit Schutzleiter anschließen.
 - Geräte der Schutzklasse 2 benötigen keinen Schutzleiteranschluss.
 - Greifen Sie beim Abziehen von der Netzsteckdose am Netzstecker. Ziehen Sie ihn nicht durch Zerren am Kabel heraus. Das kann zu einem Kurzschluss führen.
 - Verwenden Sie weder ein beschädigtes Netzkabel noch einen beschädigten Netzstecker oder eine lockere Steckdose. Missachtung kann zu Brand oder Stromschlag führen.
28. Wenn das Produkt mit einer Fernbedienung mit Batterien/Knopfzellen geliefert wird oder das Produkt eine derartige Fernbedienung umfasst:

Warnung:

 - Die Batterie nicht verschlucken – Verätzungsgefahr.
 - Die mit diesem Produkt [gelieferte Fernbedienung] enthält eine Knopfzelle. Das Verschlucken der Batterie kann innerhalb von nur 2 Stunden zu schwersten inneren Verbrennungen mit Todesfolge führen.
 - Halten Sie neue und gebrauchte Batterien von Kindern fern.
 - Falls sich das Batteriefach nicht richtig schließen lässt, stellen Sie die Benutzung des Gerätes ein und halten Sie es von Kindern fern.
 - Wenn Sie vermuten, dass Batterien verschluckt oder in eine Körperöffnung eingeführt worden sind, suchen Sie umgehend eine(n) Ärztin/Arzt auf.
29. Warnhinweise bzgl. der Verwendung von Batterien:
 - Es besteht Explosionsgefahr, wenn die Batterie nicht ordnungsgemäß ersetzt wird. Tauschen Sie die Batterie nur gegen eine Batterie des gleichen Typs aus.
 - Die Batterie darf während der Benutzung, Aufbewahrung oder des Transports weder sehr hohen oder sehr niedrigen Temperaturen noch niedrigem Luftdruck in großen Höhenlagen ausgesetzt werden.
 - Die Auswechslung der Batterie mit einem falschen Batterietyp kann zum Explodieren der Batterie oder zum Entweichen von entflammbarem Gas oder Auslaufen von entflammbarer Flüssigkeit aus der Batterie führen.
 - Die Entsorgung der Batterie in Feuer oder einem heißen Ofen oder das mechanische Zerkleinern

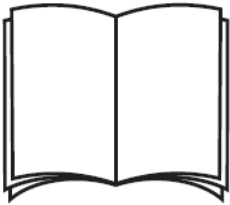
- oder Zerteilen der Batterie kann zu Explosionen führen.
- Das Verbleiben der Batterie in einer Umgebung mit sehr hohen Temperaturen kann zum Explodieren der Batterie oder zum Entweichen von entflammbarem Gas oder zum Auslaufen von entflammbarer Flüssigkeit aus der Batterie führen.
- Eine einem sehr niedrigen Luftdruck ausgesetzte Batterie kann explodieren oder es kann aus einer einem sehr niedrigen Luftdruck ausgesetzten Batterie entflammbares Gas entweichen oder entflammbare Flüssigkeit auslaufen.
- Legen Sie besonderes Augenmerk auf den ökologischen Aspekt der Batterieentsorgung.

INSTALLATION

- Packen Sie alle Teile aus und entfernen Sie danach die Schutzmaterialien.
- Schließen Sie das Gerät erst an das Stromnetz an, nachdem Sie die Netzspannung überprüft haben und alle anderen notwendigen Anschlüsse hergestellt sind.

Im Lieferumfang enthaltene Zubehörteile:

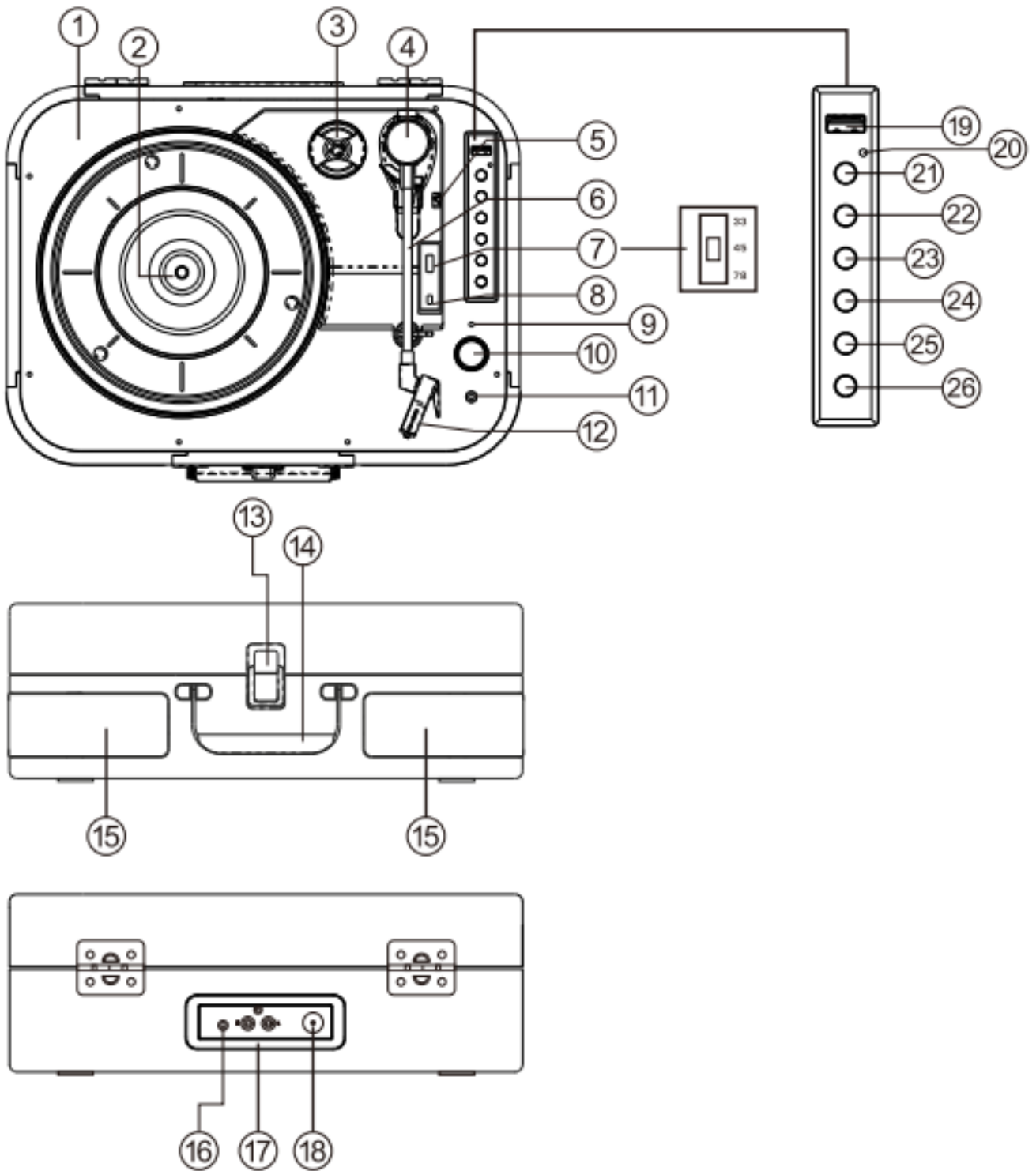
Bedienungsanleitung



Netzadapter



Bedienelemente und Komponenten



1. Plattenteller
2. Plattenspielaufsatz

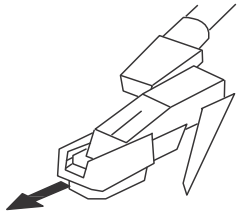
3. Mittellochadapter
4. Tonarm
5. Cueing-Hebel
6. Tonarmclip
7. Wahlschalter für die Plattenspielergeschwindigkeit
8. Auto-Stopp-Kontrollschalter
9. LED-Statusanzeige
10. Netzschalter/Lautstärkereglern
11. Kopfhöreranschluss
12. Tonnadel
13. Arretierlasche
14. Tragegriff
15. Lautsprecher
16. Aux-in-Buchse
17. Line-Out-Kanal R/L
18. DC-Eingangsbuchse
19. USB-Anschluss
20. Funktions-LED
21. Aufnahme
22. Vorheriger Titel
23. Next Titel
24. Play/pause
25. Mode
26. Koppeln

Mode

1. Drücken Sie kurz „Mode“, um den Wiedergabemodus zu wählen.
2. Die blaue LED blinkt, wenn Bluetooth gekoppelt wird.
3. Die blaue LED leuchtet, wenn eine Bluetooth-Verbindung besteht.
4. Die rote LED leuchtet, wenn der Plattenspieler-Modus/Aux-in-Modus aktiviert ist.
5. Die grüne LED leuchtet, wenn der USB-Modus aktiviert ist.

Den Plattenspieler verwenden

1. Stellen Sie den Plattenspielerkoffer auf eine flache, ebene Oberfläche.
2. Stecken Sie das Adapterkabel in die Gleichstrombuchse an der Rückseite des Gehäuses und stecken Sie den Adapter in die Netzsteckdose.
3. Achten Sie bei der ersten Inbetriebnahme darauf, dass der Kabelbinder vom Plattenspielerarm entfernt wird.
4. Entfernen Sie den Schutz der Tonnadel und bewahren Sie ihn für die spätere Verwendung an einem sicheren Ort auf.



5. Stellen Sie den Geschwindigkeitsregler auf die Geschwindigkeit (33, 45 oder 78 rpm), die der abzuspielenden Schallplatte entspricht.
6. Drehen Sie den Lautstärkereglern, um den Plattenspieler einzuschalten; die Betriebsanzeige leuchtet rot.
7. Legen Sie eine Schallplatte auf den Stift des Plattenspielers und lösen Sie den Tonarm.
8. Heben Sie den Tonarm mit dem Cueing-Hebel an und bewegen Sie den Arm so, dass die Tonnadel genau am Rand der Schallplatte oder am Anfang des abzuspielenden Titels steht.
9. Senken Sie den Arm langsam ab und nach einem kurzen Moment beginnt die Schallplatte zu spielen.
10. Stellen Sie die Lautstärke durch Drehen des Lautstärkereglers auf den gewünschten Wert ein.
11. Wenn das Ende der Schallplatte erreicht ist, hält der Plattenspieler an.
12. Betätigen Sie den Hebel erneut, um den Tonarm anzuheben (der Drehteller beginnt sich wieder zu drehen), bewegen Sie ihn zurück zum Clip und senken Sie ihn in die Halterung. Der Drehteller hält an.
13. Sichern Sie den Tonarm mit dem Clip und bringen Sie den Schutz der Tonnadel nach Gebrauch und immer vor dem Bewegen des Plattenspielers wieder an.
14. Um den Plattenspieler jederzeit auszuschalten, heben Sie den Tonarm auf der Platte an und drehen Sie den Lautstärkereglern ganz nach links.

Hinweis

Einige Schallplatten haben ein größeres Mittelloch und es kann notwendig sein, den Mittellochadapter auf den Plattentellerschaft zu setzen, bevor Sie die Schallplatte auf den Plattenteller legen. Bringen Sie den Schutz der Tonnadel immer wieder an und sichern Sie den Plattenspielerarm mit dem Clip, bevor Sie den Plattenspieler bewegen.

Betrieb mit Zusatzgerät

1. Über den Plattenspieler können analoge Audiogeräte angeschlossen und verstärkt werden.
2. Schließen Sie das Zusatzgerät mit einem 3,5-mm-Klinkenkabel (Kabel nicht im Lieferumfang enthalten) an die Aux-in-Buchse an.
3. Drücken Sie die Wiedergabetaste am Zusatzgerät und bedienen Sie die Titelsteuerung wie gewohnt am Zusatzgerät.
4. Die Lautstärke kann mit dem Lautstärkereglern am Plattenspieler oder den Reglern am angeschlossenen Zusatzgerät eingestellt werden.
5. Zum Ausschalten des Geräts können Sie den Lautstärkereglern jederzeit ganz nach links drehen.

Verwendung von Kopfhörern (nicht im Lieferumfang enthalten)

Damit Sie den Plattenspieler nutzen können, ohne andere zu stören, ist ein Stereo-Kopfhöreranschluss vorhanden.

Stecken Sie den Kopfhörer an der mit Headphone (Kopfhörer) gekennzeichneten Stelle in der Nähe des Lautstärkereglers ein und stellen Sie die gewünschte Lautstärke ein. Übermäßiger Schalldruck von Ohr- und Kopfhörern kann zu Hörschäden führen. Die Lautsprecher des Plattenspielers arbeiten nicht, wenn ein Kopfhörer angeschlossen ist.

Anschließen des Plattenspielers an einen externen Lautsprecher

Verwenden Sie beim Anschließen des Plattenspielers an externe Lautsprecher (über einen geeigneten Verstärker) ein Doppel-Phono- auf Doppel-Phono-Kabel (nicht im Lieferumfang enthalten), um die Cinch-Ausgangsbuchsen mit dem Audioeingang des Verstärkers zu verbinden. Stellen Sie sicher, dass die roten Stecker in die roten Buchsen und die weißen in die weißen Buchsen gesteckt werden.

Verwendung mit einem Bluetooth-Gerät

Überprüfen Sie, ob sich Ihr Plattenspieler im Bluetooth-Modus befindet. Falls Sie sich noch nicht im Bluetooth-Modus befinden, drücken Sie kurz die Mode-Taste, bis Sie sich im Bluetooth-Modus befinden (blaue LED leuchtet). Der Plattenspieler beginnt, nach Bluetooth-Geräten zu suchen (blaue LED blinkt während des Koppelns).

Im Bluetooth-Modus:

1. Ihr Gerät sucht nach Bluetooth.
2. Schalten Sie auf dem Gerät (z. B. iPhone/iPad/Android/anderes Telefon/Tablet/Computer) die Bluetooth-Verbindung ein und stellen Sie sicher, dass es „erkennbar“ ist.

Hinweis: Lesen Sie gegebenenfalls in der Anleitung Ihres Geräts nach, um Bluetooth hinzuzufügen oder einzurichten.

3. Wählen Sie gegebenenfalls „Add new device“ (Neues Gerät hinzufügen).

Hinweis: Einige Produkte suchen automatisch nach einem neuen Gerät, sodass die Option „Add new device“ (Neues Gerät hinzufügen) nicht verfügbar ist.

4. Wenn Ihr Gerät gefunden wurde, wird es als „Lenco TT-116“ angezeigt. Wählen Sie es aus und beginnen Sie mit dem Koppeln.
5. Wenn das Koppeln abgeschlossen ist, wird „Bluetooth Connected“ (Bluetooth verbunden) angezeigt.
6. Nachdem Sie Ihr Gerät mit dem Plattenspieler gekoppelt haben, verbindet es sich mit ihm, wenn es sich in Sichtweite befindet (ca. 10 Meter oder weniger).
7. Ihr Gerät bleibt mit dem Plattenspieler gekoppelt, bis Sie sich entscheiden, die Verbindung zu trennen oder das „Koppeln aufzuheben“.
8. Sie können kurz auf „Koppeln“ drücken, um die Verbindung wiederherzustellen.

Wiedergabe von Bluetooth

1. Drücken Sie „Previous“ für den vorherigen Titel Ihres Bluetooth-Geräts.
2. Drücken Sie „Next“ für den nächsten Titel Ihres Bluetooth-Geräts.
3. Drücken Sie „Play/Pause“ für Wiedergabe oder Pause Ihres Bluetooth-Geräts.

„Dieses Produkt hat eine Bluetooth-Empfangsfunktion, **aber Sie können damit keinen Bluetooth-Ton senden: Das bedeutet**, dass Sie drahtlos ein Bluetooth-Tonsignal von einer externen Quelle wie

einem Smartphone empfangen können.“

Verwendung mit USB-Wiedergabe

1. Schließen Sie einen USB-Stick oder MP3-Player an den USB-Anschluss an.
2. Er wird automatisch abgespielt.

Verwendung mit USB-Codierung

Sie können eine Schallplatte, Bluetooth und Aux-in-MP3 auf einen USB-Stick aufnehmen.

1. Schließen Sie den USB-Stick an den USB-Anschluss an.
2. Drücken Sie „Mode“, um Bluetooth, Plattenspieler oder Aux zu wählen, die auf den USB-Stick aufgenommen werden sollen.
3. Drücken Sie „REC“, die LED blinkt. Die Aufnahme läuft.
4. Um die Aufnahme zu stoppen, drücken Sie erneut „REC“.

ERSETZEN DER TONNADEL

Folgen Sie für das Ersetzen der Tonnadel der nachfolgenden Anleitung.

Entfernen der Tonnadel aus dem Tonkopf

1. Setzen Sie einen Schraubendreher an der Spitze der Tonnadel an. Drücken Sie dann wie in der Abbildung gezeigt nach unten in Richtung „A“.
2. Nehmen Sie danach die Tonnadel ab, indem Sie sie nach vorn ziehen und dabei nach unten drücken.

Einsetzen der Tonnadel

1. Halten Sie die Tonnadel an der Spitze fest und setzen Sie sie dann ein, indem Sie sie wie abgebildet in Richtung „B“ drücken.
2. Drücken Sie nun die Tonnadel solange nach oben in Richtung „C“, bis sie in der für sie vorgesehenen Position einrastet.



Führungsstifte (innen)

Führungsstifte (innen)

HINWEISE

Wir empfehlen Ihnen, Ihre Schallplatten mit einem antistatischen Tuch zu reinigen, um ein maximales Musikerlebnis von den Schallplatten zu erhalten.

Wir möchten Sie aus selben Grund darauf hinweisen, Ihre Tonnadel regelmäßig (ungefähr alle 250 Wiedergabestunden) zu wechseln.

TIPPS FÜR BESSERE PLATTERSPIELERLEISTUNG

1. Seien Sie behutsam, wenn Sie die Staubschutzabdeckung des Plattenspielers öffnen oder schließen. Fassen Sie sie entweder in der Mitte oder an jeder Seite an.
2. Berühren Sie nicht die Tonnadelspitze mit den Fingern. Vermeiden Sie weiterhin das Aufsetzen der Tonnadel auf dem Plattenteller oder dem Schallplattenrand.
3. Reinigen Sie regelmäßig die Tonnadelspitze mit einem weichen Pinsel, den Sie dabei nur von hinten nach vorn bewegen.
4. Wenn es nötig ist, eine Tonnadelreinigungslösung zu verwenden, dann verwenden Sie diese sehr sparsam.
5. Wischen Sie das Gehäuse des Plattenspielers behutsam mit einem weichen Lappen ab. Verwenden Sie für die Reinigung des Plattenspielers nur eine minimale Menge eines milden Reinigungsmittels.
6. Verwenden Sie auf keinen Fall für irgendeines der Plattenspieler Teile scharfe Chemikalien oder Lösungsmittel.

TECHNISCHE DATEN

Typ	Riemenantrieb
Antriebsmotor	Gleichstrommotor
Geschwindigkeit	33½ U/min, 45 U/min, 78 U/min
Gleichlaufschwankung	<0,35 %
Plattenteller	200 mm
Tonabnehmer	
Typ	Keramiktonabnehmer
Tonnadel	0,7 mil
Optimale Auflagekraft	6 Gramm
Ausgabe	300 – 500 mV
Frequenzgang	, ±20 dB
Übersprechen	10 dB
Signal-Rausch-Verhältnis (S/N)	18 dB
Allgemein	
Netzadapter	Eingang: 100 – 240 V~, 50/60 Hz, max. 0,3 A
	Ausgang: 5 V DC/1 A
Produkt	5 V DC/1 A
Audioausgang (Line Ausgang)	300 – 500 mV
Leistungsaufnahme	5 W

Netzadapter. Ausgang DC 5 V 1 A
Eingang: 100 – 240 V~, 50/60 Hz, max.
0,3 A

Bluetooth- Lenco TT-116
Kopplungsname:

Kopfhörerbuchse: 3,5 mm
Betriebstemperatur: 0 °C – 40 °C
Lagertemperatur: -20 °C – 70 °C

Aufgrund ständiger Weiterentwicklung kann es zu stillschweigenden Änderungen der Funktionen und des Designs kommen.

Netzadapter

Benutzen Sie nur die in der Bedienungsanleitung angegebene Stromversorgung.

Information	Wert und Genauigkeit
Name des Herstellers oder der Handelsmarke, kommerzielle Zulassung und Anschrift	DongGuan Obelieve Electronic Co., Ltd Huazhaoxin Industrial park B-4/F, Golden phoenix industrial zone, Fenggan town, Dongguan city, Guangdong province, China
Modellidentifikator	OBL-0501000E / OBL-0501000B
Eingangsspannung	100 – 240 V
Wechselstromfrequenz des AC-Eingangs	50/60 Hz
Ausgangsspannung	5 V
Ausgangsstrom	1A
Ausgangsleistung	5 W
Durchschnittliche Effizienz bei Normallast	73,62
Leistungsaufnahme bei Nulllast	< 0,10

Garantie

Commaxx B.V. bietet Leistungen und Garantien im Einklang mit Europäischem Recht. Setzen Sie sich deshalb im Falle von Reparaturen (sowohl während als auch nach Ablauf der Garantiezeit) mit Ihrem Fachhändler in Verbindung.

Wichtiger Hinweis: Es ist nicht möglich, Produkte für Reparaturen direkt an Commaxx B.V. zu schicken.

Wichtiger Hinweis: Wenn dieses Gerät aus welchem Grund auch immer durch ein nicht offizielles Servicezentrum geöffnet oder durch dieses Servicezentrum darauf zugegriffen wurde, erlischt die Garantie.

Dieses Gerät ist nicht für professionelle Zwecke geeignet. Falls das Gerät für professionelle Zwecke

eingesetzt wird, erlöschen alle Garantieverpflichtungen seitens des Herstellers.

Haftungsausschluss

Aktualisierungen der Firmware und/oder Hardware-Komponenten werden regelmäßig durchgeführt. Aus diesem Grund können einige der Anweisungen, Spezifikationen und Abbildungen in dieser Dokumentation von dem Ihnen vorliegenden Gerät geringfügig abweichen. Alle in diesem Handbuch beschriebenen Elemente dienen nur zur Illustration und treffen auf Ihre individuelle Situation möglicherweise nicht zu. Aus der in diesem Handbuch getätigten Beschreibung können keine Rechtsansprüche oder Leistungsanforderungen geltend gemacht werden.

Entsorgung des Altgeräts



Dieses Symbol zeigt an, dass das entsprechende Produkt oder dessen Akku/Batterie in Europa nicht mit dem normalen Hausmüll entsorgt werden darf. Um die ordnungsgemäße Abfallbehandlung des Produkts und dessen Akku/Batterie zu gewährleisten, müssen diese im Einklang mit allen anwendbaren örtlichen Vorschriften zur Entsorgung von Elektrogeräten und Akkus/Batterien entsorgt werden. Dadurch helfen Sie, natürliche Ressourcen zu schonen und Umweltschutzstandards zur Verwertung und Entsorgung von Altgeräten aufrecht zu halten (Richtlinie über Entsorgung Elektrischer und Elektronischer Altgeräte).

KONFORMITÄTSERKLÄRUNG

Hiermit erklärt Commaxx, dass das Funkgerät Typ [Lenco TT-116] der Richtlinie 2014/53/EU entspricht. Den vollständigen Text der EU-Konformitätserklärung finden Sie unter der folgenden Internetadresse: https://commaxx-certificates.com/doc/tt-116_doc.pdf

Typ HF	Frequenzbereich (MHz)	Leistung (dBm)
Bluetooth	2402–2480	<6



WARNUNG: Hören Sie nicht für längere Zeit mit einem hohen Lautstärkepegel, um dauerhaften Hörschäden vorzubeugen.

Service

Besuchen Sie bitte für weitere Informationen und unseren Kundendienst unsere Homepage support.lenco.com

Commaxx B.V. Wiebachstraat 37, 6466 NG Kerkrade, The Netherlands.

ATTENTION :

L'utilisation de commandes ou de réglages ou l'exécution de procédures autres que celles spécifiées dans ce manuel peut entraîner une exposition à des rayonnements dangereux.

PRÉCAUTIONS AVANT UTILISATION

GARDEZ CES INSTRUCTIONS À L'ESPRIT :

1. Ne couvrez pas et n'obturez pas les ouvertures de ventilation. Lorsque l'appareil est placé sur une étagère, laissez un espace libre de 5 cm autour de l'appareil.
2. L'installation doit être effectuée conformément au guide d'utilisation fourni.
3. Gardez l'appareil à l'écart des sources de chaleur telles que radiateurs, chauffages, cuisinières, bougies et autres équipements générant de la chaleur ou une flamme nue. L'appareil ne doit être utilisé que dans un climat modéré. Les environnements extrêmement froids ou chauds doivent être évités. La température de fonctionnement doit se trouver entre 0 et 35 °C.
4. Évitez d'utiliser l'appareil à proximité de champs magnétiques puissants.
5. Des décharges électrostatiques peuvent perturber le fonctionnement normal de cet appareil. Dans ce cas, réinitialisez et redémarrez l'appareil en suivant le guide d'utilisation. Pendant le transfert de fichiers, manipulez l'appareil avec précaution dans un environnement privé d'électricité statique.
6. Avertissement ! N'introduisez jamais un objet dans l'appareil par les ouvertures et fentes de ventilation. Des tensions élevées sont présentes dans l'appareil, l'insertion d'un objet peut entraîner une électrocution ou court-circuiter certains composants. Pour les mêmes raisons, ne versez pas d'eau ou de liquide sur l'appareil.
7. N'utilisez pas l'appareil dans des endroits humides tels qu'une salle de bain, une cuisine pleine de vapeur ou à proximité d'une piscine.
8. L'appareil ne doit pas être exposé à des écoulements ou des éclaboussures et aucun objet contenant un liquide, tel qu'un vase, ne doit être posé sur ou près de l'appareil.
9. N'utilisez pas cet appareil lorsque de la condensation est possible. Lorsque l'appareil est utilisé dans une pièce chaude et humide, des gouttelettes d'eau ou de la condensation peuvent se former à l'intérieur de l'appareil et affecter son fonctionnement adéquat. Si tel est le cas, laissez l'appareil hors tension pendant 1 ou 2 heures avant de le mettre en marche : l'appareil doit être sec avant toute remise en marche.
10. Cet appareil est fabriqué avec le plus grand soin et vérifié plusieurs fois avant la sortie de l'usine, cependant il est toujours possible, comme pour tout appareil électrique, que des problèmes surviennent. Si vous remarquez de la fumée, une accumulation excessive de chaleur ou tout autre phénomène inattendu, vous devez immédiatement débrancher la fiche de la prise de courant principale.
11. Cet appareil doit fonctionner avec la source d'alimentation indiquée sur la plaque signalétique. Si vous n'êtes pas sûr de votre type d'alimentation électrique, contactez le revendeur ou la compagnie d'électricité locale.
12. Gardez l'appareil à l'écart des animaux. Certains animaux aiment ronger les cordons d'alimentation.
13. Pour nettoyer l'appareil, utilisez un chiffon doux et sec. N'utilisez pas de solvant ni d'autre liquide à base de pétrole. Pour enlever les taches tenaces, utilisez un chiffon humide imbibé d'une solution de détergent diluée.
14. Le fournisseur n'est pas responsable des dommages ou pertes de données causés par un dysfonctionnement, une utilisation abusive, une modification de l'appareil ou un remplacement de la batterie.
15. Ne coupez aucune connexion lorsque l'appareil effectue un formatage ou transfert de fichiers. Autrement, les données risquent d'être corrompues ou perdues.
16. Si l'appareil dispose d'une fonction de lecture USB, il faut brancher la clé USB directement sur l'appareil. N'utilisez pas de câble de rallonge USB, car cela peut provoquer des interférences susceptibles de causer la perte de données.
17. La plaque signalétique se situe en dessous ou à l'arrière de l'appareil.
18. Cet appareil n'est pas destiné à être utilisé par des personnes (enfants y compris) souffrant de handicaps physiques, sensoriels ou mentaux, ou manquant d'expérience et de connaissances, sauf si elles sont sous surveillance ou ont reçu des instructions sur l'utilisation correcte de l'appareil par la personne responsable de leur sécurité.
19. Cet appareil est réservé à un usage non professionnel, et non pas à un usage commercial ou industriel.

20. Vérifiez que l'appareil est en position stable. La garantie ne couvre pas les dégâts occasionnés par l'utilisation de cet appareil en position instable, soumis à des vibrations ou chocs, ou par le non-respect de tout autre avertissement ou précaution contenus dans ce guide d'utilisation.
21. N'ouvrez jamais cet appareil.
22. Ne placez jamais cet appareil sur un autre appareil électrique.
23. Ne laissez pas les sacs en plastique à la portée des enfants.
24. N'utilisez que des pièces/accessoires recommandés par le fabricant.
25. Confiez tout entretien à un personnel de service qualifié. Une réparation est nécessaire lorsque l'appareil a été endommagé de quelque façon que ce soit, par exemple lorsque le cordon d'alimentation ou sa fiche est endommagée, lorsqu'un liquide a été renversé ou des objets ont été introduits dans l'appareil, lorsqu'il a été exposé à la pluie ou à l'humidité, ne fonctionne pas correctement ou s'il est tombé.
26. Une exposition prolongée à la musique avec un volume élevé peut entraîner une perte auditive temporaire ou permanente.
27. Si l'appareil est livré avec un câble d'alimentation ou un adaptateur secteur :
 - En cas de problème, débranchez le cordon d'alimentation secteur et confiez l'entretien à un personnel qualifié.
 - Ne marchez pas sur l'adaptateur secteur et ne le pincez pas. Faites très attention, en particulier lorsque vous êtes à proximité des fiches et du point de sortie du câble. Ne placez aucun objet lourd sur l'adaptateur secteur, il pourrait l'endommager. Gardez l'appareil hors de portée des enfants ! Les enfants pourraient se blesser gravement s'ils jouent avec le cordon d'alimentation.
 - Débranchez cet appareil pendant les orages ou lorsqu'il n'est pas utilisé pendant une longue durée.
 - La prise secteur doit être installée près de l'appareil et être facilement accessible.
 - Ne surchargez pas les prises de courant ou les rallonges. Une surcharge peut entraîner un incendie ou une électrocution.
 - Un appareil de classe 1 doit être branché sur une prise secteur disposant d'une mise à la terre.
 - Les appareils de classe 2 ne nécessitent pas de mise à la terre.
 - Tirez toujours sur la fiche lorsque vous la retirez de la prise d'alimentation secteur. Ne tirez pas sur le cordon d'alimentation. Cela pourrait provoquer un court-circuit.
 - N'utilisez pas un cordon ou une fiche d'alimentation endommagé(e) ni une prise desserrée. Cela pourrait entraîner une électrocution ou un incendie.
28. Si l'appareil comprend ou est livré avec une télécommande contenant des piles boutons/piles :

Avertissement :

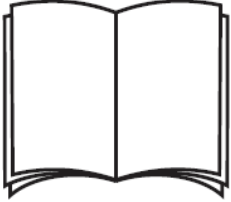
 - « N'avalez pas les piles ! Risque de brûlure chimique » ou équivalent.
 - [La télécommande fournie avec] cet appareil contient une pile bouton/pile. Si la pile bouton est avalée, elle peut causer des brûlures internes graves en seulement 2 heures et peut conduire à la mort.
 - Gardez les piles neuves et usées hors de la portée des enfants.
 - Si le compartiment à pile ne se ferme pas correctement, cessez d'utiliser l'appareil et gardez-le hors de portée des enfants.
 - Si vous pensez que les piles ont été avalées ou ingérées d'une manière ou d'une autre, consultez immédiatement un médecin.
29. Avertissements sur l'utilisation des piles :
 - Risque d'explosion si la pile n'est pas remplacée correctement. Ne les remplacez que par des piles du même type ou d'un type équivalent.
 - Les piles ne doivent pas être soumises à des températures extrêmement élevées ou basses, à une faible pression d'air à haute altitude pendant l'utilisation, le stockage ou le transport.
 - Tout remplacement de pile par un type incorrect peut entraîner une explosion ou une fuite de liquide ou de gaz inflammable.
 - L'élimination d'une pile dans le feu ou dans un four chaud, l'écrasement ou le découpage mécanique peut entraîner une explosion.
 - Laisser une pile dans un environnement à température extrêmement élevée peut entraîner une explosion ou une fuite de liquide ou de gaz inflammable.
 - Une pile soumise à une pression d'air extrêmement basse peut entraîner une explosion ou une fuite de liquide ou de gaz inflammable.
 - Une attention particulière doit être portée sur les aspects environnementaux d'élimination des piles.

INSTALLATION

- Déballez tous les composants et enlevez les matériaux de protection.
- Ne branchez pas l'appareil sans avoir vérifié la tension secteur et sans avoir effectué toutes les autres connexions.

Accessoires inclus :

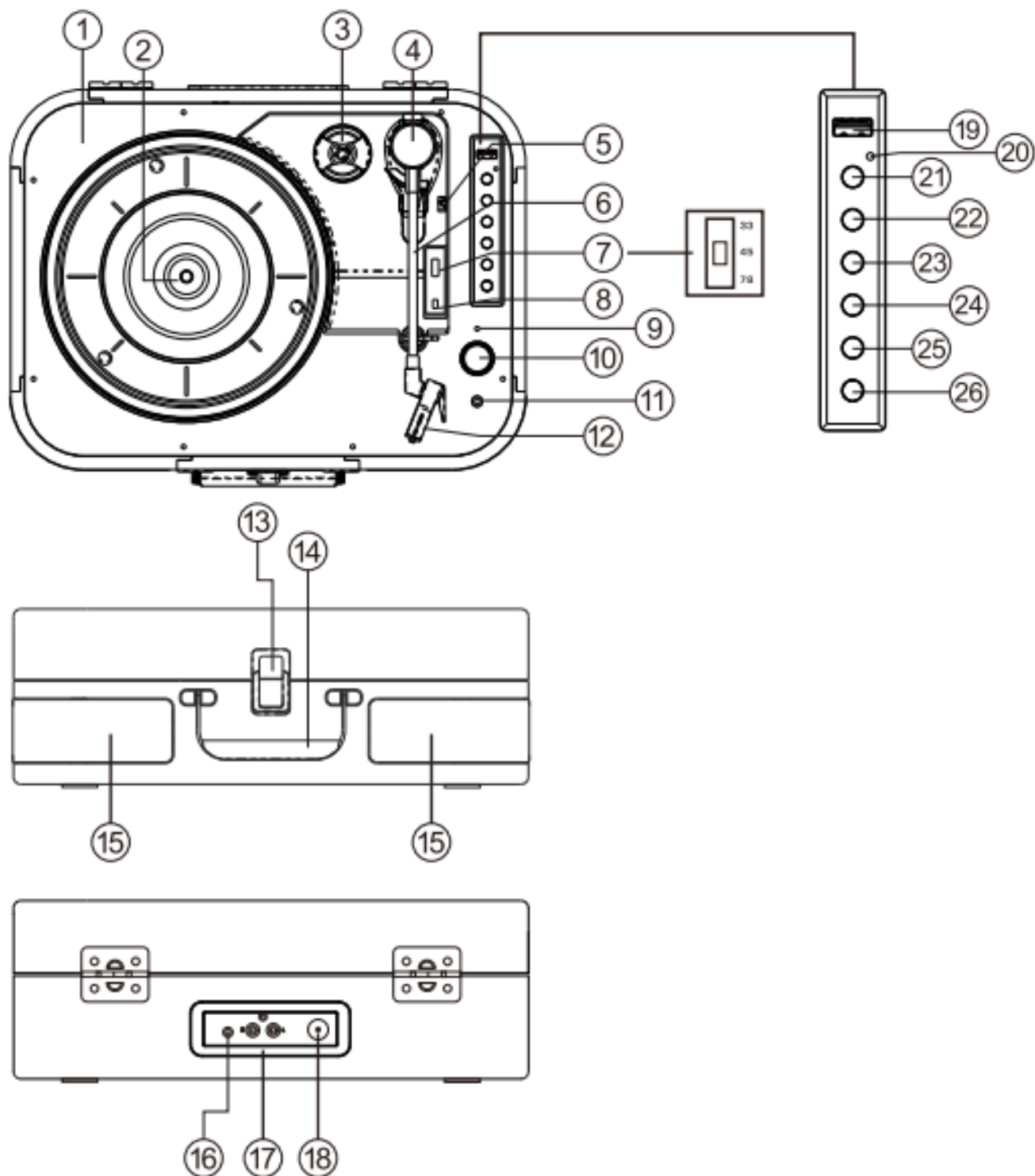
Guide d'utilisation



Adaptateur électrique



Emplacement des boutons



1. Platine du tourne-disque
2. Arbre du tourne-disque

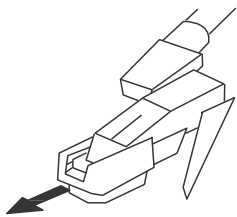
3. Adaptateur pour le trou central
4. Bras de lecture
5. Relève-bras
6. Clip du bras de lecture
7. Sélecteur de vitesse du tourne-disque
8. Interrupteur de commande d'arrêt automatique
9. Témoin LED d'état
10. Bouton d'alimentation/commande de volume
11. Prise casque
12. Pointe de lecture
13. Fermeture
14. Poignée de transport
15. Haut-parleur
16. Prise Aux in
17. Canal Line out D/G
18. Prise DC in
19. Fente USB
20. Voyant de fonction
21. Enregistrement
22. Morceau précédent
23. Morceau suivant
24. Play/pause
25. Mode
26. Appairage

Mode

1. Appuyez brièvement sur « Mode » pour sélectionner le mode de lecture.
2. Le voyant bleu clignote lorsque le Bluetooth est en mode d'appairage.
3. Le voyant bleu s'allume lorsque la connexion Bluetooth est établie
4. Le voyant rouge s'allume lorsque le mode tourne-disque/Aux in est activé.
5. Le voyant vert s'allume lorsque l'appareil est en mode USB.

Utilisation du tourne-disque

1. Placez le boîtier du tourne-disque sur une surface plane et horizontale.
2. Insérez le cordon de l'adaptateur dans la prise DC à l'arrière du boîtier et branchez l'adaptateur dans la prise de courant.
3. Lors de la première utilisation, assurez-vous que le serre-câble est retiré du bras du lecteur.
4. Retirez le cache de la pointe de lecture et conservez-le en lieu sûr pour une utilisation ultérieure



5. Déplacez le sélecteur de vitesse sur la vitesse (33, 45 ou 78 tr/min) correspondant au disque à lire.
6. Tournez le bouton de volume pour allumer le tourne-disque et l'indicateur de mode devient rouge.
7. Placer un disque sur l'axe du tourne-disque et déclipser le bras de lecture
8. Utilisez le relève-bras pour soulever le bras de lecture et déplacez-le de façon à ce que la pointe de lecture soit positionnée juste à l'intérieur du bord du disque ou alignée sur le début de la piste à lire.
9. Abaissez lentement le bras et, après un court intervalle, le disque commencera à jouer.
10. Réglez le volume au niveau souhaité en tournant le bouton de réglage du volume.
11. Quand le disque arrive à sa fin, le tourne-disque s'arrête.
12. Utilisez à nouveau le levier pour soulever le bras de lecture (la platine recommence à tourner), ramenez-le vers le clip et abaissez-le sur le repose-bras. La platine s'arrête.
13. Fixez le bras de lecture à l'aide du clip et remettez le cache de l'aiguille en place après utilisation et toujours avant de déplacer le tourne-disque
14. Pour éteindre le tourne-disque à tout moment, soulevez le bras de lecture du disque et tournez le bouton de volume à fond dans le sens antihoraire.

Remarque

Certains disques ont un trou central plus large et il peut être nécessaire de mettre en place l'adaptateur de trou central sur l'arbre du tourne-disque avant d'y poser le disque. Remettez toujours en place le cache de la pointe de lecture et fixez le bras du tourne-disque à l'aide du clip avant de le déplacer.

Utilisation avec un dispositif auxiliaire

1. Un équipement audio analogique auxiliaire peut être connecté et amplifié via le tourne-disque.
2. Connectez l'équipement auxiliaire à l'aide d'un câble jack 3,5 mm (câble non fourni) dans la prise Aux in.
3. Appuyez sur le bouton de lecture de l'équipement auxiliaire et utilisez les commandes pour changer de piste comme d'habitude sur l'appareil auxiliaire.
4. Le volume peut être réglé à l'aide du bouton de volume du tourne-disque ou des commandes de l'appareil auxiliaire connecté.
5. Pour éteindre l'appareil à tout moment, tournez le bouton de volume à fond dans le sens antihoraire.

Utilisation de casque (non fourni)

Une prise casque stéréo a été prévue pour que le tourne-disque puisse être utilisé sans déranger les autres. Branchez le casque à l'endroit signalé par un casque près du bouton de volume et réglez le volume d'écoute à votre convenance. Une pression acoustique excessive des écouteurs et des casques peut endommager votre audition. Les haut-parleurs du tourne-disque ne fonctionnent pas lorsque des écouteurs sont installés.

Connexion du tourne-disque à un haut-parleur externe

Pour connecter le tourne-disque à des haut-parleurs externes (via un amplificateur approprié), utilisez un câble phono double à phono double (non fourni) pour relier les prises de sortie RCA à l'entrée audio de l'amplificateur. Veillez à ce que les fiches rouges soient insérées dans les prises rouges et les blanches dans les blanches.

Utilisation avec un appareil Bluetooth

Vérifiez que votre tourne-disque est en mode Bluetooth. Si vous n'y êtes pas déjà, appuyez brièvement sur la touche Mode jusqu'à ce que vous y accédiez (le voyant bleu sera allumé). L'appareil commence à rechercher des appareils Bluetooth (le voyant bleu clignote pendant l'appairage).

En mode Bluetooth :

1. Votre appareil recherchera un signal Bluetooth.
2. Sur le dispositif (par exemple, iPhone/iPad/Android/autre téléphone/tablette/ordinateur), activez la connectivité Bluetooth et assurez-vous qu'il est « découvrable ».

Remarque : Si nécessaire, reportez-vous aux instructions de votre dispositif pour ajouter ou configurer Bluetooth.

3. Sélectionnez « Add new device » (Ajouter un nouvel appareil), si nécessaire.

Remarque : Certains appareils rechercheront automatiquement un nouvel appareil, par conséquent l'option « Add new device » (Ajouter un nouvel appareil) ne sera pas disponible.

4. Après avoir été trouvé, votre appareil sera identifié sous le nom « Lenco TT-116 ». Sélectionnez et commencez l'appairage.
5. Une fois l'appairage effectué « Bluetooth Connected » (Connexion Bluetooth effectuée) s'affiche.
6. À présent que vous avez appairé votre dispositif avec le tourne-disque, il s'y connectera lorsqu'il sera à portée, c'est-à-dire à environ 10 mètres au maximum en visibilité directe.
7. Votre appareil restera appairé avec le tourne-disque à moins que vous ne décidiez de le déconnecter ou de le « désappairer ».
8. Vous pouvez appuyer brièvement sur « Appairage » pour rétablir la connexion.

Lecture Bluetooth

1. Appuyez sur « Previous » pour accéder à la piste précédente de votre dispositif Bluetooth.
2. Appuyez sur « Next » pour accéder à la piste suivante de votre dispositif Bluetooth.
3. Appuyez sur « Play/Pause » pour lire ou interrompre votre dispositif Bluetooth.

« Ce produit est doté d'une fonction de **réception** Bluetooth, **vous ne pouvez pas l'utiliser pour transmettre un son Bluetooth** : cela signifie que vous pouvez recevoir sans fil un signal sonore Bluetooth d'une source externe comme un smartphone. »

Utilisation avec la lecture USB

1. Connectez une clé USB ou un lecteur MP3 au port USB.
2. La lecture commence automatiquement.

Utilisation avec l'encodage USB

Vous pouvez enregistrer un disque vinyle, un dispositif Bluetooth et une entrée auxiliaire MP3 sur une clé USB.

1. Branchez la clé USB au port USB.
2. Appuyez sur « mode » pour sélectionner Bluetooth, tourne-disque ou Aux que vous souhaitez enregistrer sur la clé USB.
3. Appuyez sur « REC », le voyant se met à clignoter. Et l'enregistrement commence.
4. Pour arrêter l'enregistrement, appuyez à nouveau sur « REC ».

COMMENT CHANGER LA TÊTE DE LECTURE

Pour changer la tête de lecture, consultez les instructions ci-dessous.

Démontage de la tête de lecture hors de la cartouche

1. Placez un tournevis au niveau de la pointe de la tête de lecture et poussez vers le bas dans la direction « A » comme indiqué.
2. Retirez l'aiguille en la tirant vers l'avant et en la poussant vers le bas.

Installation de la tête de lecture

1. Maintenez le bout de la tête de lecture et insérez-la en pressant dans la direction « B » comme indiqué.
2. Poussez la tête de lecture vers le haut dans la direction « C » jusqu'à ce qu'elle se bloque dans la position de la pointe.



Tiges de guidage (internes)

Tiges de guidage (internes)

REMARQUES

Nous vous conseillons de nettoyer vos disques avec un chiffon antistatique pour en profiter au mieux. Nous tenons également à souligner que pour les mêmes raisons votre tête de lecture doit être changée périodiquement (environ toutes les 250 heures).

CONSEILS POUR UNE MEILLEURE PERFORMANCE DU TOURNE-DISQUE

1. Lorsque vous ouvrez ou fermez le couvercle du tourne-disque, manipulez-le délicatement, en le saisissant au centre ou de chaque côté.

Du fait de l'amélioration continue, les caractéristiques et la conception sont modifiables sans préavis.

Adaptateur d'alimentation

Utilisez uniquement l'alimentation électrique indiquée dans le mode d'emploi.

Informations	Valeurs et précision
Nom ou marque du fabricant, enregistrement commercial et adresse	DongGuan Obelieve Electronic Co. Ltd Huazhaoxin Industrial park B-4/F, Golden Phoenix Industrial Zone, Fenggan Town, Dongguan City, Guangdong Province, Chine
Identifiant du modèle	OBL-0501000E / OBL-0501000B
Tension d'entrée	100-240 V
Fréquence d'entrée CA	50/60 Hz
Tension de sortie	5 V
Courant de sortie	1 A
Puissance de sortie	5 W
Efficacité active moyenne	73,62
Pas de consommation d'énergie à vide	< 0,10 %

Garantie

Commaxx B.V. propose un service et une garantie conformément à la législation européenne, ce qui signifie qu'en cas de besoin de réparation (aussi bien pendant et après la période de garantie), vous pouvez contacter le revendeur le plus proche.

Remarque importante : Il n'est pas possible de renvoyer l'appareil pour réparation directement à Commaxx B.V.

Remarque importante : Si l'appareil est ouvert ou modifié de quelque manière que ce soit par un réparateur non agréé, la garantie est annulée.

Cet appareil ne convient pas à une utilisation professionnelle. En cas d'utilisation professionnelle, les obligations de garantie du fabricant sont annulées.

Clause de non-responsabilité

Des mises à jour du micrologiciel ou des composants matériels sont régulièrement effectuées. Ainsi, certaines instructions, spécifications et images de la présente documentation peuvent être légèrement différentes. Tous les éléments décrits dans ce manuel sont donnés uniquement à des fins d'illustration et peuvent ne pas s'appliquer à une situation particulière. Aucun droit juridique ou légal ne peut être obtenu à partir de la description faite dans ce manuel.

Mise au rebut de l'appareil usagé



Ce symbole indique que le produit électrique concerné ainsi que les piles ne doivent pas être jetés avec les autres déchets ménagers en Europe. Pour assurer le traitement correct des déchets de l'appareil et des piles, il faut les éliminer conformément aux lois locales applicables sur l'élimination des équipements électriques et des piles. En faisant cela, vous contribuez à la conservation des ressources naturelles et à l'amélioration des normes de protection de l'environnement dans le traitement et l'élimination des déchets électriques (Directive sur les déchets d'équipements électriques et électroniques).

DÉCLARATION DE CONFORMITÉ

Par la présente, Commaxx déclare que le type d'équipement radio auquel appartient le modèle d'appareil [Lenco TT-116] est conforme à la directive 2014/53/UE.

Le texte intégral de la déclaration de conformité UE est disponible à l'adresse Internet suivante :

https://commaxx-certificates.com/doc/tt-116_doc.pdf

Type RF	Plage de fréquences (MHz)	Puissance (dBm)
Bluetooth	2 402-2 480	<6



AVERTISSEMENT : Pour éviter d'éventuels dommages auditifs, n'écoutez pas de la musique à de volume élevé durant de longues périodes.

Réparation

Pour en savoir plus et obtenir de l'assistance, visitez support.lenco.com

Commaxx B.V. Wiebachstraat 37, 6466 NG Kerkrade, The Netherlands.

PRECAUCIÓN:

Un uso de los controles, unos ajustes o un rendimiento de los procedimientos distintos a los especificados aquí puede resultar en una exposición peligrosa a la radiación.

PRECAUCIONES PREVIAS AL USO

TENGA ESTAS INSTRUCCIONES EN CUENTA:

1. No cubra ni obstruya las aberturas de ventilación. Si coloca el dispositivo sobre una estantería, deje una separación de 5 cm (2") alrededor de todo el dispositivo.
2. Instálelo en conformidad con el manual del usuario incluido.
3. Mantenga el dispositivo apartado de fuentes de calor como radiadores, calentadores, estufas, velas y otros productos que generen calor o llamas abiertas. El dispositivo solo puede utilizarse en climas moderados. Deben evitarse los entornos muy fríos o cálidos. La temperatura de funcionamiento es de entre 0 °C y 35 °C.
4. Evite utilizar el dispositivo cerca de campos magnéticos intensos.
5. Las descargas electrostáticas pueden perturbar el uso normal de este dispositivo. En tal caso, solo tiene que seguir el manual de instrucciones para restablecer y reiniciar el dispositivo. Durante la transmisión de archivos, por favor manéjelo con cuidado y opérela en un entorno libre de electricidad estática.
6. ¡Advertencia! Nunca introduzca objetos en las aberturas o conductos de ventilación del producto. Alto voltaje fluye a través del producto e insertar un objeto puede provocar una descarga eléctrica o un cortocircuito en sus componentes internos. Por el mismo motivo, no derrame agua ni líquidos sobre el producto.
7. No lo utilice en áreas mojadas o húmedas, como cuartos de baño, cocinas con mucho vapor o cerca de piscinas.
8. No se debe exponer el dispositivo a goteos ni salpicaduras y debe asegurarse de que no haya objetos llenos de líquidos, como jarrones, encima ni cerca del aparato.
9. No utilice este dispositivo si puede haber condensación. Cuando se utilice la unidad en una sala cálida y húmeda, pueden aparecer gotas de agua o condensación dentro de la unidad y esta puede no funcionar correctamente; deje la unidad apagada durante 1 o 2 horas antes de encender la alimentación: la unidad debe estar seca antes de encenderla.
10. Aunque este dispositivo está fabricado con el máximo cuidado y se ha comprobado varias veces antes de salir de fábrica, todavía es posible que se puedan producir problemas, igual que con todos los aparatos eléctricos. Si detecta humo, una acumulación excesiva de calor o cualquier otro fenómeno inesperado, deberá desconectar inmediatamente el enchufe de la toma de corriente.
11. Este dispositivo debe estar conectado a una fuente de alimentación conforme a lo indicado en la etiqueta de especificaciones. Si no está seguro del tipo de fuente de alimentación de su hogar, consulte con su distribuidor o su empresa eléctrica local.
12. Manténgalo alejado de los animales. Algunos animales muerden los cables eléctricos.
13. Utilice un trapo suave y húmedo para limpiar el dispositivo. No utilice disolventes ni líquidos con base de gasolina. Puede usar un paño húmedo con detergente diluido para eliminar las manchas persistentes.
14. El proveedor no asume ninguna responsabilidad por daños o datos perdidos como consecuencia de un funcionamiento incorrecto, uso incorrecto, modificación del dispositivo o sustitución de la batería.
15. No interrumpa la conexión mientras se formatea el dispositivo o esté transfiriendo archivos. De lo contrario, los datos podrían quedar dañados o perderse.
16. Si la unidad tiene una función de reproducción USB, se debe conectar directamente el dispositivo de memoria USB a la unidad. No utilice cables de extensión USB ya que pueden crear interferencias que causen una pérdida de datos.
17. La etiqueta de clasificación está marcada en el panel inferior o trasero del dispositivo.
18. Este aparato no está diseñado para su uso por personas (incluyendo niños) con discapacidades físicas, sensoriales o mentales o con falta de experiencia o conocimientos, salvo que estén bajo supervisión o hayan recibido formación sobre el uso correcto del dispositivo por parte de una persona responsable de su seguridad.
19. Este producto está destinado únicamente al uso no profesional y no al uso comercial ni industrial.
20. Compruebe que la unidad está ajustada en una posición estable. Los daños causados por las vibraciones o sacudidas derivadas del uso del producto en una posición inestable o el incumplimiento de otras advertencias o precauciones incluidas en este manual del usuario no estarán cubiertos por la garantía.

21. Nunca retire la carcasa del dispositivo.
22. Nunca coloque el dispositivo sobre otros equipos eléctricos.
23. No permita que los niños accedan a las bolsas de plástico.
24. Utilice solo los accesorios especificados por el fabricante.
25. Solicite todo el trabajo de mantenimiento a personal de servicio cualificado. El dispositivo deberá ser reparado cuando quede dañado de cualquier forma, por ejemplo, si el cable de alimentación o el enchufe están dañados, se ha derramado líquido o han caído objetos sobre él, ha quedado expuesto a la lluvia o a la humedad, no funciona con normalidad, o se ha caído al suelo.
26. La exposición prolongada a sonidos fuertes de reproductores personales de música puede provocar una pérdida temporal o permanente de audición.
27. Si el producto incluye un cable de alimentación o un adaptador de CA:
 - Si hubiera algún problema, desconecte el cable de CA y solicite su mantenimiento al personal cualificado.
 - No pise ni pellizque el adaptador de corriente. Tenga mucho cuidado, en especial cerca de los enchufes y el punto de salida del cable. No coloque objetos pesados sobre el adaptador de corriente, ya que podría dañarlo. ¡Mantenga todo el dispositivo fuera del alcance de los niños! Si juegan con el cable de alimentación, pueden sufrir lesiones graves.
 - Desenchufe el dispositivo durante tormentas eléctricas o si no se utiliza durante largos periodos.
 - La toma debe estar instalada cerca del equipo y ser fácilmente accesible.
 - No sobrecargue las tomas de CA ni los cables de extensión. Una sobrecarga podría provocar un incendio o una descarga eléctrica.
 - Los dispositivos con una construcción de clase 1 deben estar conectados a una toma eléctrica con conexión a tierra protectora.
 - Los dispositivos con una construcción de clase 2 no requieren una conexión a tierra.
 - Sujete siempre el enchufe cuando lo extraiga de la toma de corriente. No estire del cable eléctrico. Podría provocar un cortocircuito.
 - No utilice cables de alimentación o enchufes deteriorados o tomas sueltas. Podría provocar un incendio o descarga eléctrica.
28. Si el producto contiene o se entrega con un mando a distancia que contiene pilas de botón:

Advertencia:

 - «No ingiera la pila, existe riesgo de quemaduras químicas» o equivalente.
 - [Mando a distancia incluido] Este producto contiene una pila de botón. En caso de ingesta de la pila, puede provocar quemaduras internas graves en menos de 2 horas que pueden provocar la muerte.
 - Mantenga las pilas nuevas y usadas fuera del alcance de los niños.
 - Si el compartimento de las pilas no cierra bien, deje de usar el producto y manténgalo fuera del alcance de los niños.
 - Si cree que puede haber ingerido una pila, solicite inmediatamente atención médica.
29. Precauciones sobre el uso de las pilas:
 - Existe peligro de explosión si se sustituye la pila por una de tipo incorrecto. Sustitúyalas únicamente por pilas del mismo tipo o equivalentes.
 - No se puede someter las pilas a temperaturas muy altas o bajas, ni a presiones de aire bajas a altitudes altas durante el uso, almacenamiento o transporte.
 - La sustitución de una pila por una de tipo incorrecto puede resultar en una explosión o fuga del líquido o gas inflamable.
 - Arrojar una pila al fuego o a un horno caliente, o aplastarla o cortarla con medios mecánicos, puede resultar en una explosión.
 - Dejar una pila en un entorno con temperaturas muy altas puede resultar en una explosión o fuga del líquido o gas inflamable.
 - Someter una pila a presiones de aire muy bajas puede resultar en una explosión o la fuga del líquido o gas inflamable.
 - Se debe prestar atención a los aspectos medioambientales sobre la eliminación de baterías.

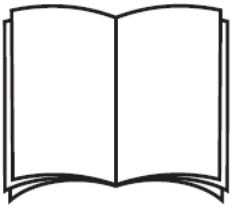
INSTALACIÓN

- Desempaquete todas las piezas y retire el material protector.
- No conecte la unidad a la corriente sin comprobar la tensión eléctrica y que se han hecho todas las

demás conexiones.

Accesorios incluidos:

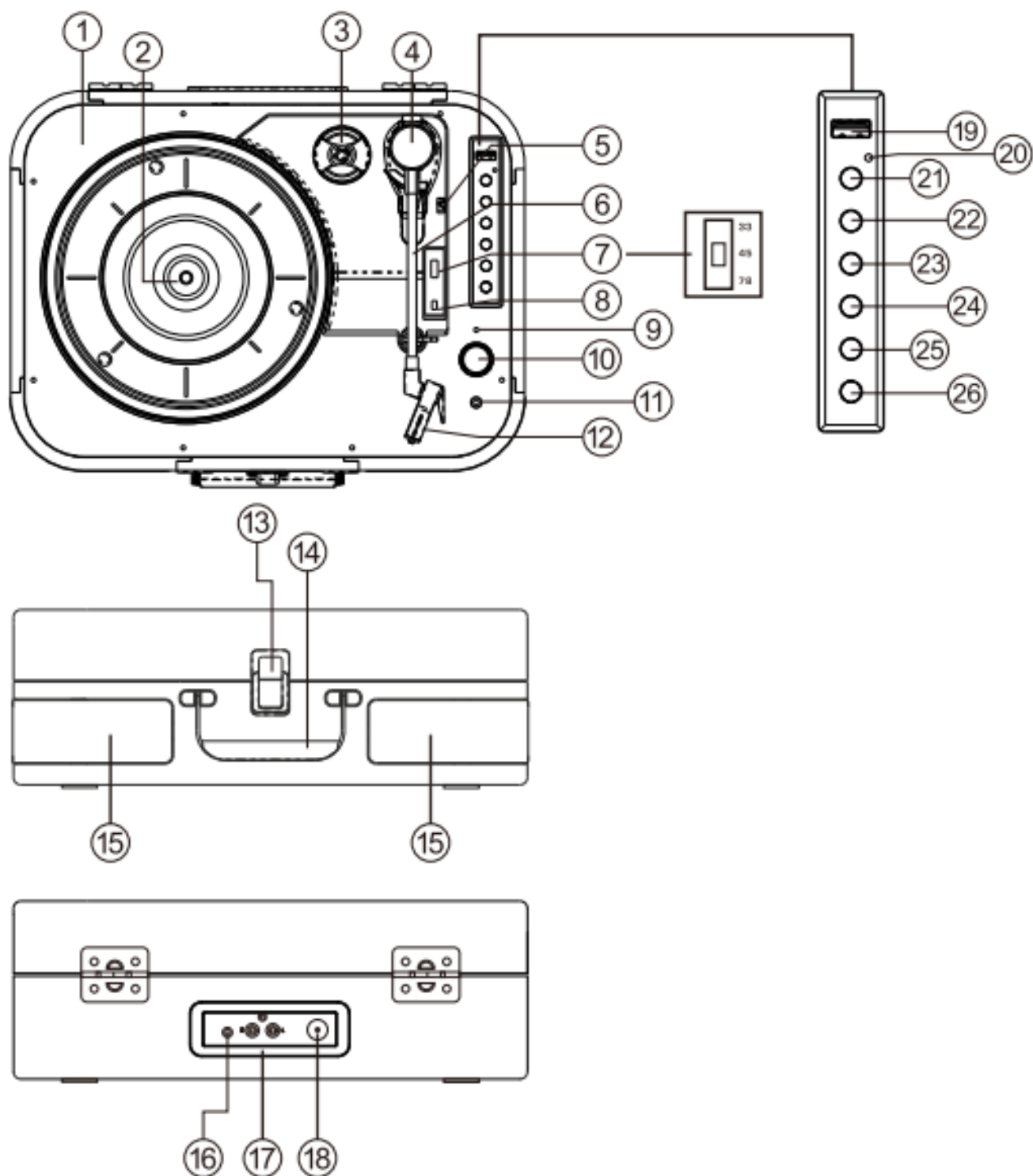
Manual del usuario



Adaptador de corriente



Ubicación de los controles



1. Plataforma del tocadiscos
2. Eje del tocadiscos

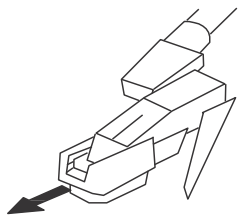
3. Adaptador del orificio central
4. Brazo de lectura
5. Palanca de preparación
6. Gancho del brazo de lectura
7. Selector de velocidad del tocadiscos
8. Interruptor de control de la parada automática
9. Indicador LED de estado
10. Interruptor de encendido / control del volumen
11. Conector para auriculares
12. Aguja
13. Gatillo de cierre
14. Asa de transporte
15. Altavoz
16. Conexión Aux in
17. Canal derecho/izquierdo de Line out
18. Toma DC in
19. Ranura USB
20. LED de función
21. Grabación
22. Pista anterior
23. Pista Next
24. Play/pause
25. Mode
26. Emparejamiento

Modo

1. Pulse «Mode» para seleccionar el modo de reproducción.
2. El LED azul parpadeará cuando se esté emparejando por Bluetooth.
3. El LED azul se encenderá cuando se conecte por Bluetooth.
4. El LED rojo se encenderá cuando esté en el modo de tocadiscos o de Aux in.
5. El LED verde se iluminará cuando esté en el modo USB.

Uso del tocadiscos

1. Coloque el tocadiscos sobre una superficie nivelada y plana.
2. Inserte el cable adaptador en la toma de corriente en la parte trasera de la carcasa y conecte el adaptador en el enchufe de corriente.
3. En el primer uso, asegúrese de quitar el nudo del cable del brazo de lectura.
4. Retire la tapa de la aguja y guárdela en un lugar seguro para usarla en el futuro.



5. Mueva el selector de velocidad a la velocidad (33,45 o 78 rpm) correspondiente al disco que desea reproducir.
6. Gire la perilla del volumen para encender el tocadiscos; el indicador de modo se encenderá en rojo.
7. Coloque un disco en el eje del tocadiscos y desenganche el brazo de lectura.
8. Use la palanca de preparación para elevar el brazo de lectura y muévalo de modo que la aguja se sitúe justo en el interior del borde del disco o alineada con la pista que desea reproducir.
9. Baje el brazo lentamente y, después de un breve momento, se comenzará a reproducir el disco.
10. Ajuste el volumen al nivel deseado girando la perilla de control del volumen.
11. Cuando se alcance el final del disco, el tocadiscos se detendrá.
12. Vuelva a usar la palanca para elevar el brazo de lectura (la plataforma volverá a girar), vuelva a colocarlo en el gancho y bájelo hasta el soporte. La plataforma se detendrá.
13. Asegure el brazo de lectura con el gancho y vuelva a colocar la tapa de la aguja después de cada uso y siempre antes de mover el tocadiscos.
14. Para apagar el tocadiscos en cualquier momento, separe el brazo de lectura del disco y gire completamente la perilla del volumen en sentido antihorario.

Nota

Algunos discos tienen orificios centrales más grandes, por lo que puede ser necesario colocar el adaptador del orificio central en el eje del tocadiscos antes de colocar el disco. Vuelva a colocar siempre la tapa de la aguja y asegure el brazo de lectura con el gancho antes de mover el tocadiscos.

Uso con un dispositivo auxiliar

1. Se puede conectar y amplificar un equipo de audio analógico auxiliar a través del tocadiscos.
2. Conecte el equipo auxiliar usando un cable con un conector de 3,5 mm (no incluido) en la entrada Aux in.
3. Pulse el botón play del equipo auxiliar y use los controles de pista como de costumbre en el dispositivo auxiliar.
4. Se puede ajustar el volumen con la perilla del volumen del tocadiscos o los controles del dispositivo auxiliar conectado.
5. Para apagar el aparato en cualquier momento, gire completamente la perilla del volumen en sentido antihorario.

Uso de auriculares (no incluidos)

Se proporciona una toma para auriculares estéreo para poder usar el tocadiscos sin molestar a los demás.

Conecte los auriculares en la toma con una marca de auriculares junto a la perilla del volumen y ajuste el volumen al nivel deseado. Una presión sonora excesiva en los auriculares puede provocar la pérdida de audición. Los altavoces del tocadiscos no funcionarán cuando haya auriculares conectados.

Conexión del tocadiscos a un altavoz externo

Para conectar el tocadiscos a un altavoz externo (mediante un amplificador adecuado), utilice un cable de fono doble a fono doble (no incluido) para conectar las tomas de salida RCA a la entrada de audio del amplificador. Asegúrese de que los enchufes rojos están conectados a las tomas rojas y los blancos, a las blancas.

Uso con un dispositivo Bluetooth

Compruebe que el tocadiscos está en el modo Bluetooth. Si no está ya en el modo Bluetooth, pulse el botón Mode hasta que se active el modo Bluetooth (se iluminará el LED azul). Comenzará a buscar dispositivos Bluetooth (el LED azul parpadeará durante el emparejamiento).

En el modo Bluetooth:

1. Su dispositivo buscará conexiones Bluetooth.
2. En el dispositivo (por ejemplo, iPhone/iPad/Android/otro teléfono/tablet/ordenador), encienda la conexión Bluetooth y asegúrese de que esté visible para otros dispositivos.

Nota: Si es necesario, consulte las instrucciones de su dispositivo para añadir o configurar el Bluetooth.

3. Seleccione «Add new device» (Añadir nuevo dispositivo), si es necesario.

Nota: Algunos productos buscarán automáticamente un nuevo dispositivo, por lo que la opción «Add new device» (Añadir nuevo dispositivo) no está disponible.

4. Cuando lo encuentre, su dispositivo se mostrará como «Lenco TT-116». Selecciónelo para comenzar el emparejamiento.
5. Cuando se complete, se mostrará «Bluetooth Connected» (Bluetooth conectado).
6. Una vez que se haya emparejado el dispositivo con el tocadiscos, este se conectará a él cuando se encuentre dentro del alcance, que es de unos 10 metros o menos, de la línea de visión.
7. Su dispositivo permanecerá emparejado con el tocadiscos a menos que decida desconectarlo o «desemparejarlo».
8. Puede pulsar el botón de «emparejamiento» para volver a conectarlo.

Reproducción por Bluetooth

1. Puede pulsar el botón de pista «Previous» para saltar a esta en su dispositivo Bluetooth.
2. Puede pulsar el botón de pista «Next» para saltar a esta en su dispositivo Bluetooth.
3. Pulse «Play/pause» para reproducir o pausar en su dispositivo Bluetooth.

«Este producto tiene una función de **recepción** de Bluetooth, **no puede transmitir sonido por Bluetooth con él**: esto significa que solo puede recibir una señal de sonido por Bluetooth desde una fuente externa, como un smartphone».

Uso mediante USB

1. Conecte una memoria USB o un reproductor MP3 al puerto USB.
2. Se reproducirá automáticamente.

Uso con codificación USB

Puede grabar un disco de vinilo, Bluetooth y Aux in en mp3 a una memoria USB.

1. Conecte una memoria USB al puerto USB.
2. Pulse «Mode» para seleccionar Bluetooth, tocadiscos o Aux, según lo que desee grabar en el USB.
3. Pulse «REC», el LED parpadeará. Comenzará la grabación.
4. Para detenerla, vuelva a pulsar «REC».

CÓMO REEMPLAZAR LA AGUJA

Para reemplazar la aguja, consulte las instrucciones más abajo.

Retirada de la aguja del cartucho

1. Coloque un destornillador en la punta de la aguja y empuje hacia abajo como se muestra en la dirección «A».
2. Retire la aguja tirando de ella hacia arriba y empujando hacia abajo.

Instalación de la aguja

1. Sujete la punta de la aguja e insértela presionando como se muestra en la dirección «B».
2. Empuje la aguja hacia arriba en la dirección «C» hasta que quede fijo en la posición de la punta.



Pasadores guía (interior)

Pasadores guía (interior)

NOTAS

Aconsejamos que limpie los discos con un paño antiestático para poder disfrutar al máximo de ellos. Por la misma razón, conviene sustituir periódicamente la aguja (aproximadamente cada 250 horas de reproducción).

CONSEJOS PARA OBTENER UN MEJOR RENDIMIENTO DEL TOCADISCOS

1. Cuando abra o cierre la tapa del tocadiscos, hágalo con cuidado, sujetándola por el centro o por ambos lados.
2. No toque la punta de la aguja con los dedos; evite golpear la aguja con la bandeja del tocadiscos o el borde del disco.
3. Limpie con frecuencia la punta de la aguja: utilice un cepillo suave y realice solo un movimiento de atrás hacia delante.
4. Si tiene que utilizar un líquido limpiador de agujas, hágalo con moderación.
5. Limpie suavemente la carcasa del tocadiscos con un paño suave. Use una pequeña cantidad de detergente suave para limpiarlo.
6. No aplique nunca productos químicos agresivos ni disolventes a ninguna pieza del sistema del tocadiscos.

ESPECIFICACIONES

Tipo	Accionamiento por correa
Motor	Motor de CC
Velocidad	33 1/3 rpm, 45 rpm, 78 rpm
Lloro y trémolo	<0,35 %
Bandeja del tocadiscos	200 mm
Cartucho	
Tipo	Cartucho de cerámica
Aguja	0,7 milímetros
Fuerza de tracción óptima	6 gramos
Salida	300-500 mv
Respuesta de frecuencia	,+/-20 dB
Diafonía	10 db
Relación señal/ruido (S/R)	18 db
General	
Adaptador	Entrada de CA de 100-240 V, , 50/60 Hz y 0,3 A máx. Salida de CC de 5 V y 1 A
Producto	CC de 5 V y 1 A
Salida de audio (line out)	300-500 mv
Consumo eléctrico	5 W

Adaptador de corriente. Salida de CC de 5 V y 1 A
Entrada de CA de 100-240 V, , 50/60 Hz y 0,3 A máx.

Nombre de la conexión Bluetooth: Lenco TT-116

Salida de auriculares: 3,5 mm

Temperatura de funcionamiento: De 0 °C a 40 °C
Temperatura de almacenamiento: De -20 °C a 70 °C

Debido a las continuas mejoras, las características y el diseño están sujetos a cambios sin previo aviso.

Adaptador de alimentación

Use únicamente la alimentación descrita en las instrucciones de usuario.

Información	Valor y precisión
Nombre de los fabricantes o marcas registradas, registro comercial y dirección	DongGuan Obelieve Electronic Co., Ltd Huazhaoxin Industrial park B-4/F, Golden phoenix industrial zone, Fenggan town, Dongguan city, Guangdong province, China
Identificador de modelo	OBL-0501000E / OBL-0501000B
Tensión de entrada	100-240 V
Frecuencia CA de entrada	50/60 Hz
Tensión de salida	5 V
Corriente de salida	1 A
Potencia de salida	5 W
Eficiencia activa media	73,62
Consumo energético sin carga	≤ 0,10

Garantía

Commaxx B.V. ofrece servicio y garantía en conformidad con las leyes europeas, por lo que en caso de requerir una reparación (tanto durante como después del periodo de garantía) debe ponerse en contacto con su distribuidor local.

Nota importante: No es posible enviar directamente a Commaxx B.V. los productos que necesiten reparación.

Nota importante: Si se abre la unidad o se accede a su interior en modo alguno en un centro de mantenimiento no oficial, la garantía quedará anulada.

El dispositivo no es adecuado para un uso profesional. En caso de realizar un uso profesional, todas las obligaciones de garantía del fabricante quedarán anuladas.

Aviso legal

Se realizan actualizaciones del firmware y/o componentes de hardware de manera periódica. Por tanto, algunas instrucciones, especificaciones e imágenes de estos documentos podrían diferir ligeramente de su modelo concreto. Todos los elementos descritos en esta guía son únicamente para fines ilustrativos y

pueden no corresponderse a su modelo concreto. Las descripciones de este manual no otorgarán ningún derecho legal.

Eliminación de un dispositivo usado



Este símbolo indica que el producto eléctrico o batería pertinente no debe eliminarse con los residuos domésticos generales en Europa. Para garantizar un tratamiento correcto de los residuos del producto y las pilas, elimínelos en conformidad con las leyes locales vigentes para la eliminación de equipos eléctricos y pilas. Al hacerlo, ayudará a preservar los recursos naturales y mejorar los niveles de protección del medio ambiente en el tratamiento y eliminación de residuos eléctricos (Directiva sobre residuos de aparatos eléctricos y electrónicos).

DECLARACIÓN DE CONFORMIDAD

Por la presente, Commaxx declara que el equipo de radio tipo [Lenco TT-116] cumple con la directiva 2014/53/UE.

El texto completo de la declaración UE de conformidad está disponible en la siguiente dirección de Internet: https://commaxx-certificates.com/doc/tt-116_doc.pdf

Tipo de radiofrecuencia	Rango de frecuencia (MHz)	Potencia (dBm)
Bluetooth	2402-2480	<6



Advertencia: Para evitar posibles daños auditivos, no utilice el volumen alto durante mucho tiempo.

Servicio

Para más información y atención al cliente, visite www.lenco.com

Commaxx B.V. Wiebachstraat 37, 6466 NG Kerkrade, The Netherlands.

ATTENZIONE:

L'utilizzo di controlli o regolazioni o l'esecuzione di procedure diverse da quelle specificate può causare l'esposizione a radiazioni pericolose.

PRECAUZIONI PRIMA DELL'USO

CONSERVARE QUESTE ISTRUZIONI:

1. Non coprire o bloccare le aperture di ventilazione. Quando si posiziona il dispositivo su uno scaffale, lasciare uno spazio libero di 5 cm attorno all'intero dispositivo.
2. Installare secondo quanto riportato nel manuale fornito.
3. Tenere il dispositivo lontano da sorgenti di calore come radiatori, termosifoni, stufe, candele e altri prodotti che generano calore o fiamme libere. Il dispositivo può essere utilizzato solo in climi miti. Evitare ambienti estremamente freddi o caldi. Temperatura operativa compresa tra 0° e 35 °C.
4. Evitare l'uso del dispositivo in presenza di forti campi magnetici.
5. Le scariche elettrostatiche possono interferire con il normale utilizzo di questo dispositivo. In tal caso, è sufficiente ripristinare e riavviare il dispositivo seguendo il manuale di istruzioni. Durante la trasmissione di file, maneggiarlo con cura e operare in un ambiente privo di elettricità statica.
6. Avviso! Non inserire mai oggetti nel prodotto attraverso le prese d'aria o le aperture. All'interno del prodotto sono presenti tensioni elevate e l'inserimento di un oggetto può provocare scariche elettriche e/o cortocircuiti. Per lo stesso motivo, non versare acqua o liquidi sul prodotto.
7. Non utilizzare in ambienti umidi o bagnati come bagni, cucine con vapore o piscine.
8. Non esporre il dispositivo a schizzi o gocciolamenti di liquidi; non poggiare sopra o accanto al dispositivo oggetti contenenti liquidi, ad esempio vasi.
9. Non utilizzare questo dispositivo in caso di condensa. Quando l'unità viene utilizzata in una stanza calda e umida, al suo interno possono formarsi goccioline d'acqua o condensa e l'unità potrebbe non funzionare correttamente; lasciare l'unità spenta per 1 o 2 ore prima di accenderla in quanto deve essere asciutta prima di collegarla all'alimentazione.
10. Sebbene questo dispositivo sia fabbricato con la massima cura e controllato più volte prima di lasciare la fabbrica, è comunque possibile che si verifichino problemi come per qualsiasi altra apparecchiatura elettrica. Se si nota fumo, eccessivo accumulo di calore o altri fenomeni imprevisti, scollegare immediatamente la spina dalla presa di alimentazione principale.
11. Questo dispositivo deve funzionare con una fonte di alimentazione con i valori indicati sull'etichetta delle specifiche. Se non si è sicuri del tipo di alimentazione utilizzata in casa, consultare il rivenditore o la compagnia elettrica locale.
12. Tenere fuori dalla portata degli animali domestici. Ad alcuni animali piace mordere i cavi di alimentazione.
13. Per pulire il dispositivo, utilizzare un panno morbido e asciutto. Non usare solventi o liquidi a base di benzina. Per rimuovere le macchie persistenti, è possibile utilizzare un panno umido con detergente diluito.
14. Il fornitore non è responsabile per danni o perdita di dati causati da malfunzionamento, uso improprio, modifica del dispositivo o sostituzione della batteria.
15. Non interrompere la connessione quando il dispositivo sta formattando o trasferendo file. In caso contrario, i dati potrebbero essere danneggiati o andare persi.
16. Se l'unità dispone della funzione di riproduzione USB, la chiavetta USB deve essere collegata direttamente all'unità. Non utilizzare una prolunga USB perché può causare interferenze con conseguenti perdite di dati.
17. L'etichetta di classificazione è situata sul pannello inferiore o posteriore del dispositivo.
18. Questo dispositivo non è destinato all'uso da parte di persone (compresi i bambini) con disabilità fisiche, sensoriali o mentali, o privi di esperienza e conoscenza, a meno che non siano sotto supervisione o abbiano ricevuto istruzioni circa l'uso corretto del dispositivo da parte di chi è responsabile per la loro sicurezza.
19. Questo prodotto è destinato esclusivamente all'uso non professionale e non commerciale o industriale.
20. Assicurarsi che l'unità sia collocata in una posizione stabile. I danni causati dall'uso di questo prodotto in una posizione instabile, vibrazioni o urti o la mancata osservanza di qualsiasi altro avvertimento o precauzione indicati in questo manuale dell'utente non saranno coperti da garanzia.
21. Non rimuovere mai l'involucro esterno di questo dispositivo.

22. Non posizionare mai questo dispositivo su altre apparecchiature elettriche.
23. Non permettere ai bambini di accedere ai sacchetti di plastica.
24. Utilizzare solo collegamenti/accessori specificati dal produttore.
25. Rivolgersi a personale qualificato per l'assistenza. È necessario ricorrere all'assistenza quando il dispositivo ha subito qualsivoglia tipo di danno, ad esempio al cavo di alimentazione o alla spina, se è stato versato del liquido o sono caduti oggetti al suo interno, oppure se è stato esposto a pioggia o umidità, quando non funziona correttamente o è caduto.
26. L'esposizione prolungata ai suoni ad alto volume dei lettori musicali può causare una perdita temporanea o permanente dell'udito.
27. Se il prodotto viene consegnato con cavo di alimentazione o adattatore di alimentazione CA:
 - In caso di problemi, scollegare il cavo di alimentazione CA e rivolgersi a personale qualificato per l'assistenza.
 - Non calpestare o schiacciare l'alimentatore. Fare molta attenzione, in particolare vicino alle prese e al punto di uscita del cavo. Non posizionare oggetti pesanti sull'alimentatore in quanto potrebbero danneggiarlo. Tenere il dispositivo fuori dalla portata dei bambini. Giocando con il cavo di alimentazione possono infortunarsi seriamente.
 - Scollegare il dispositivo durante i temporali o quando non viene utilizzato per un lungo periodo.
 - La presa di corrente deve essere installata vicino all'apparecchio e deve essere facilmente accessibile.
 - Non sovraccaricare le prese CA né le prolunghe. Il sovraccarico può causare incendi o scariche elettriche.
 - I dispositivi con struttura di classe 1 devono essere collegati a una presa di rete con connessione di messa a terra di protezione.
 - I dispositivi con struttura di classe 2 non richiedono un collegamento a terra.
 - Tenere sempre la spina quando la si estrae dalla presa di rete. Non tirare il cavo di alimentazione. Ciò può causare un cortocircuito.
 - Non utilizzare un cavo o una presa di alimentazione danneggiati o una presa non fissata correttamente. Tale azione potrebbe provocare incendi o scariche elettriche.
28. Se il prodotto contiene o viene consegnato con un telecomando contenente batterie a pulsante/a bottone:

Avvertenza:

 - "Non ingerire la batteria, pericolo di ustioni chimiche" o problema equivalente.
 - [Il telecomando in dotazione con] Il presente prodotto contiene una pila a bottone. Se ingerita, la batteria può causare gravi ustioni interne in sole 2 ore e portare alla morte.
 - Tenere le batterie, nuove o usate, fuori dalla portata dei bambini.
 - Se il vano batteria non si chiude completamente, interrompere l'uso del dispositivo e tenerlo fuori dalla portata dei bambini.
 - Se si teme che delle batterie possano essere state inghiottite o essere venute a contatto con qualsiasi parte interna del corpo, contattare immediatamente un medico.
29. Precauzioni sull'uso delle batterie:
 - La batteria può esplodere se non viene sostituita correttamente. Sostituire solo con lo stesso tipo o equivalente.
 - Non sottoporre le batterie a temperature estreme alte o basse, bassa pressione dell'aria ad alta quota durante l'uso, lo stoccaggio o il trasporto.
 - La sostituzione con una batteria di tipo errato può provocare un'esplosione o la perdita di liquidi o gas infiammabili.
 - Lo smaltimento di una batteria nel fuoco o in un forno caldo o lo schiacciamento o il taglio meccanico di una batteria possono provocare un'esplosione.
 - Lasciare una batteria in un ambiente circostante a temperatura estremamente elevata può provocare un'esplosione o una perdita di liquidi o gas infiammabili.
 - Una batteria soggetta a una pressione dell'aria estremamente bassa può provocare un'esplosione o una perdita di liquidi o gas infiammabili.
 - È necessario prestare attenzione agli aspetti ambientali legati allo smaltimento delle batterie.

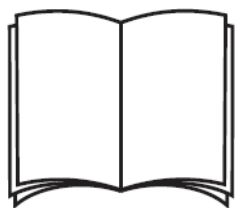
INSTALLAZIONE

- Disimballare tutte le parti e rimuovere il materiale protettivo.

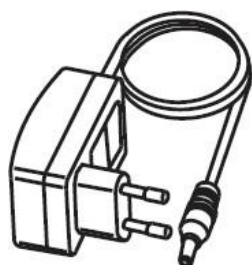
- Non collegare l'unità alla rete elettrica prima di avere controllato la tensione di rete e prima che siano stati effettuati tutti gli altri collegamenti.

Ambito della fornitura:

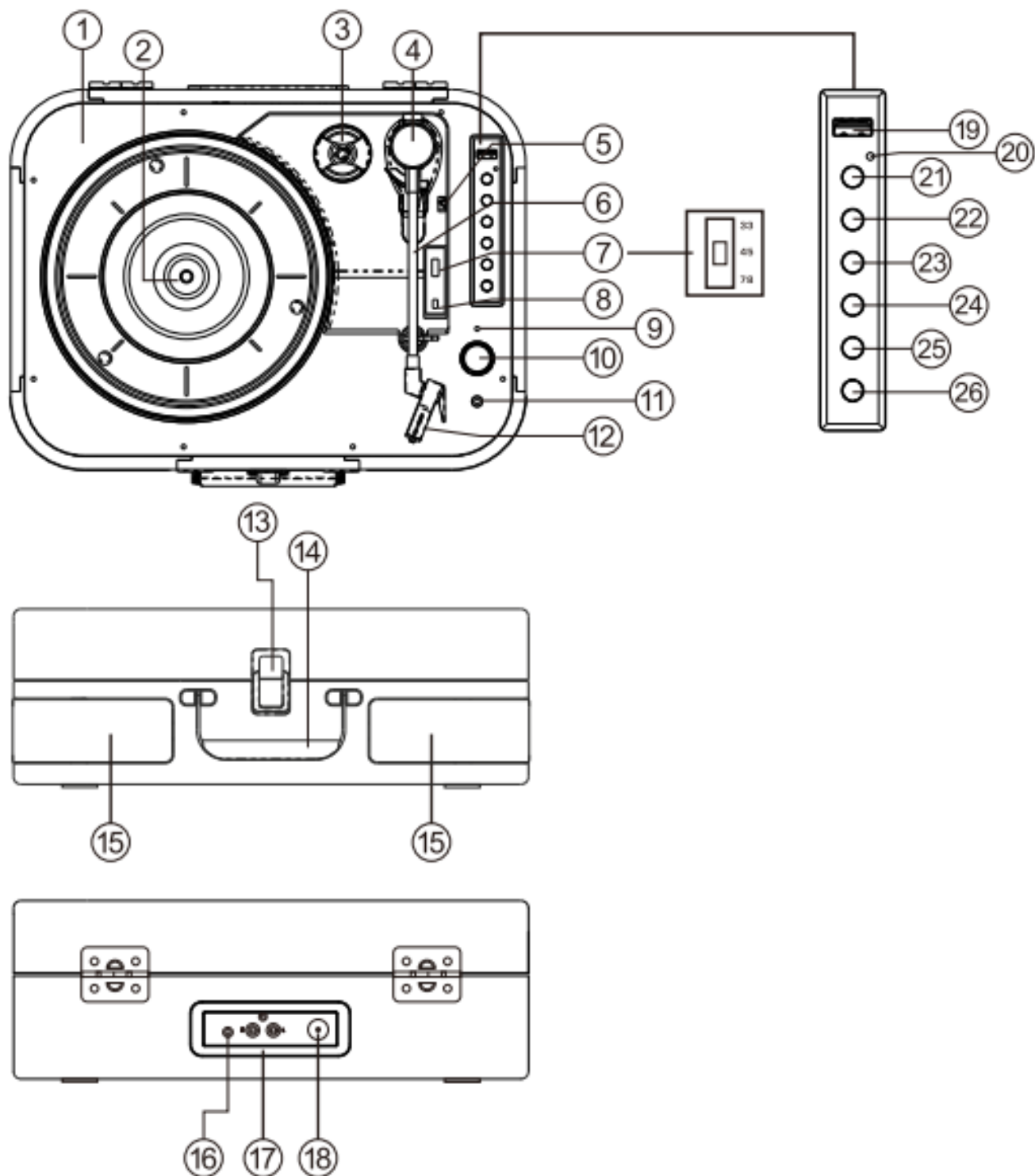
Manuale dell'utente



Adattatore di alimentazione



Pozione dei comandi



1. Piatto del giradischi
2. Albero motore del giradischi

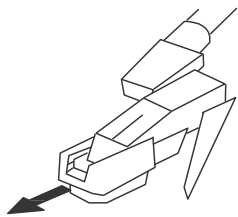
3. Adattatore per foro centrale
4. Braccio di lettura
5. Leva di posizionamento
6. Fermo del braccio di lettura
7. Selettore di velocità del giradischi
8. Interruttore di arresto automatico
9. Indicatore di stato a LED
10. Interruttore di alimentazione/Controllo del volume
11. Presa jack per cuffie
12. Puntina
13. Chiusura a scatto
14. Maniglia per il trasporto
15. Altoparlante
16. Presa jack Aux-in
17. Uscita audio Line out canale R/L
18. Ingresso DC In
19. Porta USB
20. LED funzione
21. Registrazione
22. Brano precedente
23. Brano Next
24. Play/pause
25. Mode
26. Associazione

Modalità

1. Premere brevemente "Mode" per selezionare la modalità di riproduzione.
2. Il LED blu lampeggia quando il Bluetooth è in fase di associazione.
3. Il LED blu si accende quando il Bluetooth è connesso
4. Il LED rosso si illumina in modalità giradischi/Aux in.
5. Il LED verde si illumina in modalità USB.

Utilizzo del giradischi

1. Posizionare l'alloggiamento del giradischi su una superficie piana.
2. Inserire un'estremità del cavo dell'adattatore nella presa CC sul retro dell'alloggiamento e inserire l'altra estremità dell'adattatore nella presa di alimentazione.
3. Al primo utilizzo, assicurarsi che la fascetta venga rimossa dal braccio del lettore.
4. Rimuovere il cappuccio di protezione della testina e conservarlo in un luogo sicuro per utilizzi futuri



5. Spostare il selettore di velocità (a 33, 45 o 78 giri/min) in modo che corrisponda a quella del disco riprodotto
6. Ruotare la manopola di regolazione del volume per accendere il giradischi, l'indicatore di modalità diventerà rosso
7. Posizionare un disco sul mandrino del giradischi e sganciare il braccio di lettura
8. Usare la leva di posizionamento per sollevare il braccio di lettura e spostarlo in modo che la puntina venga posizionata esattamente sul bordo del disco o orientata in modo tale da poter avviare la riproduzione del brano.
9. Abbassare lentamente il braccio e dopo qualche istante verrà avviata la riproduzione del disco
10. Regolare il volume al livello desiderato ruotando la manopola di regolazione del volume
11. Al termine della riproduzione del disco, il giradischi si ferma
12. Utilizzare nuovamente la leva per sollevare il braccio di lettura (il piatto inizierà a ruotare di nuovo), riportare il braccio verso il fermo e abbassarlo nell'apposito supporto. A questo punto il piatto si ferma
13. Fissare il braccio di lettura con il fermo e reinserire il cappuccio della puntina dopo l'uso e sempre prima di spostare il giradischi.
14. In qualsiasi momento è possibile spegnere il giradischi sollevando il braccio di lettura sul disco e ruotando la manopola del volume completamente in senso antiorario.

Nota

Alcuni dischi presentano un foro centrale più grande e potrebbe essere necessario collocare l'adattatore per il foro centrale sull'albero del giradischi prima di posizionare il disco. Prima di spostare il giradischi, reinserire sempre il cappuccio della puntina e fissare il braccio del giradischi tramite l'apposito fermo.

Utilizzo con dispositivo ausiliario

1. Gli apparecchi analogici audio ausiliari possono essere collegati e amplificati tramite il giradischi.
2. Collegare l'apparecchio ausiliario utilizzando un cavo jack da 3,5 mm (non incluso) da inserire nella presa jack Aux in.
3. Premere il pulsante di riproduzione sull'apparecchio ausiliario e utilizzare i comandi di riproduzione su quest'ultimo come di consueto.
4. Il volume può essere regolato tramite la manopola di regolazione del volume del giradischi o i comandi del dispositivo ausiliario.
5. In qualsiasi momento è possibile spegnere l'unità ruotando completamente la manopola del volume in senso antiorario.

Utilizzo delle cuffie (non incluse)

Per ascoltare la musica senza disturbare gli altri, il giradischi è dotato di una presa jack per cuffie stereo. Inserire le cuffie nel punto di collegamento contrassegnato con tale dicitura accanto alla manopola di regolazione del volume e regolare il volume al livello desiderato. Un'eccessiva pressione sonora generata da auricolari o cuffie può comportare la perdita dell'udito. Gli altoparlanti del giradischi non saranno operativi quando vengono collegate le cuffie.

Collegamento del giradischi a un altoparlante esterno

Per il collegamento del giradischi a degli altoparlanti esterni (tramite un amplificatore adatto), utilizzare un cavo phono a due connettori (non incluso) per collegare i jack di uscita RCA all'ingresso Audio dell'amplificatore. Assicurarsi di collegare i connettori rossi e bianchi nelle rispettive prese dello stesso colore.

Utilizzo di un dispositivo Bluetooth

Assicurarsi che il giradischi si trovi in modalità Bluetooth. In caso contrario, premere brevemente il pulsante Modalità finché non viene impostata la modalità Bluetooth (il LED blu si accende). Verrà avviata la ricerca dei dispositivi Bluetooth (il LED blu lampeggia durante l'associazione).

In modalità Bluetooth:

1. Il proprio dispositivo effettua la ricerca Bluetooth.
2. Sul dispositivo (ad es. iPhone/iPad/Android/altro telefono/Tablet/Computer), attivare la connettività Bluetooth e fare in modo che sia 'visibile'.

Nota: se necessario, fare riferimento alle istruzioni del proprio dispositivo per aggiungere o configurare il Bluetooth.

3. Se necessario, selezionare "Add new device" (Aggiungi nuovo dispositivo).

Nota: alcuni prodotti effettuano la ricerca dei nuovi dispositivi in modo automatico, pertanto in tal caso l'opzione "Add new device" (Aggiungi nuovo dispositivo) non sarà disponibile.

4. Una volta rilevato, il dispositivo appare come "Lenco TT-116". Selezionare e avviare l'associazione.
5. Al termine dell'associazione, verrà visualizzata la notifica "Bluetooth Connected" (Bluetooth connesso).
6. A questo punto, dopo aver associato il dispositivo al giradischi, quest'ultimo si conatterà ad esso entro un raggio d'azione di circa 10 metri o meno (33 piedi o meno), in linea visiva.
7. Il dispositivo rimarrà associato al giradischi a meno che non si decida di disconnetterlo o di "annullare l'associazione".
8. Premere brevemente "Associa" per riconnetterlo.

Riproduzione Bluetooth

1. Premere "Previous" per passare al brano precedente del dispositivo Bluetooth.
2. Premere "Next" per passare al brano successivo del proprio dispositivo Bluetooth.
3. Premere "Play/Pause" per riprodurre o mettere in pausa il proprio dispositivo Bluetooth.

Questo prodotto è dotato di una funzione di **ricezione** Bluetooth, ma **non è possibile trasmettere alcun suono Bluetooth con esso**: questo significa che è possibile ricevere in modalità wireless un segnale audio Bluetooth da una fonte esterna come uno smartphone.

Riproduzione USB

1. Collegare la memoria flash o il lettore MP3 alla porta USB.
2. La riproduzione comincerà automaticamente

Codifica USB

È possibile registrare un disco in vinile, una sorgente Bluetooth o Aux in MP3 su un'unità di memoria flash USB.

1. Collegare l'unità di memoria flash USB alla porta USB.
2. Premere "mode" e selezionare Bluetooth, giradischi o Aux, a seconda della fonte da cui si desidera registrare sull'unità USB.
3. Premere "REC"; la spia LED lampeggerà. Ciò indica che la registrazione è in corso.
4. Per interrompere la registrazione, premere di nuovo "REC".

SOSTITUZIONE DELLA PUNTINA

Per sostituire l'ago fare riferimento alle istruzioni di seguito.

Rimozione della puntina dalla testina

1. Posizionare un cacciavite sulla punta della puntina e spingere verso il basso come mostrato in direzione "A".
2. Rimuovere la puntina tirandola in avanti e spingendo verso il basso.

Installazione della puntina

1. Tenere la punta della puntina e inserire la puntina premendo come mostrato in direzione "B".
2. Spingere la puntina verso l'alto come nella direzione "C" finché la puntina non si blocca nella posizione della punta.



Perni guida (interni)



Perni guida (interni)

NOTA

Ti consigliamo di pulire i tuoi dischi con un panno antistatico per trarne il massimo divertimento.

Segnaliamo inoltre che, per lo stesso motivo, la puntina dovrebbe essere sostituita periodicamente (circa ogni 250 ore di riproduzione)

SUGGERIMENTI PER MIGLIORI PRESTAZIONI DEL GIRADISCHI

1. Quando si apre o si chiude il coperchio del piatto rotante, maneggiarlo delicatamente, afferrandolo al centro o su entrambi i lati.
2. Non toccare la punta dell'ago con le dita; evitare di sbattere l'ago contro il piatto del giradischi o il bordo del disco.
3. Pulire frequentemente la punta dell'ago: utilizzare una spazzola morbida solo con un movimento "da dietro a davanti".
4. Se devi usare un liquido per la pulizia degli aghi, usalo con molta parsimonia.
5. Pulire delicatamente l'alloggiamento del giradischi con un panno morbido. Utilizzare soltanto una piccola quantità di detergente delicato per pulire il giradischi.
6. Non applicare mai prodotti chimici o solventi aggressivi a nessuna parte del sistema del giradischi.

SPECIFICHE

Tipo	trasmissione a cinghia
Motore di trasmissione	Motore CC
velocità	33 1/3 giri/min, 45 giri/min, 78 giri/min
Wow e flutter	<0,35%
Piatto girevole	200 mm
testina	
Tipo	testina in ceramica
Puntina	0.7 mil
Forza di tracciamento ottimale	6 grammi
uscita	300-500 mv
risposta in frequenza	,+/-20 dB
diafonia	10 db
Rapporto segnale-rumore (S/N)	18 db
Generale	
Adattatore	Ingresso CA 100-240 V, 50/60 Hz, 0,3 A max. Uscita CC 5 V 1 A
prodotti	CC 5 V 1 A
uscita audio (Line-Out)	300-500 mv
Consumo	5 W

Alimentatore. Uscita CC 5 V 1 A
Ingresso CA 100-240 V, 50/60 Hz, 0,3 A max.

Nome di associazione Lenco TT-116
Bluetooth:

Presa per cuffie:	3,5 mm
Temperatura di esercizio:	0-40 °C
Temperatura di stoccaggio:	-20-70 °C

In virtù dei continui miglioramenti, le caratteristiche e il design sono soggetti a modifiche senza preavviso.

Alimentatore

Utilizzare solo l'alimentazione indicata nel presente manuale.

Informazioni	Valore e precisione
Nome del produttore o marchio commerciale, registrazione commerciale e indirizzo	DongGuan Obelieve Electronic Co., Ltd Huazhaoxin Industrial park B-4/F, Golden phoenix industrial zone, Fenggan town, Dongguan city, Guangdong province, Cina
Identificatore del modello	OBL-0501000E / OBL-0501000B
Tensione in ingresso	100-240 V
Frequenza in ingresso CA	50/60 Hz
Tensione in uscita	5 V
Corrente in uscita	1 A
Potenza in uscita	5 W
Efficienza media attiva	73,62
Nessun carico Consumo energetico	≤ 0,10

Garanzia

Commaxx B.V. offre assistenza e garanzia in conformità con la legge europea, il che significa che in caso di riparazioni (sia durante che dopo il periodo di garanzia) è necessario contattare il rivenditore locale.

Nota importante: Non è possibile inviare direttamente a Commaxx B.V. i prodotti da riparare.

Nota importante: Qualora l'unità venga aperta o manomessa in qualsiasi modo da un centro di assistenza non riconosciuto, la garanzia decade.

Questo dispositivo non è adatto per l'uso professionale. Qualora l'unità venga utilizzata per scopi professionali, tutti gli obblighi del produttore derivanti dalla garanzia sono nulli.

Clausola di esclusione di responsabilità

Il firmware e/o i componenti hardware vengono aggiornati regolarmente. Pertanto, è possibile che alcune parti relative a istruzioni, specifiche e immagini contenute nella presente documentazione siano diverse da quanto riscontrato nel singolo caso. Tutte le descrizioni incluse in questa guida sono fornite a puro titolo

illustrativo e non si applicano necessariamente alla specifica situazione. Nessun diritto legale o contrattuale può derivare dalle descrizioni contenute nel presente libretto di istruzioni.

Smaltimento al termine della vita utile del dispositivo



Questo simbolo indica che in Europa è vietato gettare il relativo prodotto elettrico o batteria tra i rifiuti domestici. Per il corretto smaltimento a fine vita del prodotto e della batteria, attenersi alle vigenti normative locali per il trattamento dei rifiuti da apparecchiature elettriche ed elettroniche e delle batterie. In tal modo si contribuisce a salvaguardare le risorse naturali e a migliorare gli standard per la protezione dell'ambiente nel trattamento dei rifiuti da apparecchiature elettriche ed elettroniche (Direttiva RAEE).

DICHIARAZIONE DI CONFORMITÀ

Con la presente, Commaxx dichiara che il tipo di apparecchiatura radio [Lenco TT-116] è conforme ai requisiti della Direttiva 2014/53/UE.

Il testo completo della Dichiarazione di conformità della UE è disponibile al seguente indirizzo:

https://commaxx-certificates.com/doc/tt-116_doc.pdf

Tipo RF	Gamma di frequenza (MHz)	Potenza (dBm)
Bluetooth	2402-2480	<6



AVVERTENZA: per prevenire possibili danni all'udito, evitare l'ascolto ad alto volume per periodi di tempo prolungati.

Assistenza

Per maggiori informazioni e accesso all'helpdesk, visitare il sito support.lenco.com

Commaxx B.V. Wiebachstraat 37, 6466 NG Kerkrade, The Netherlands.

FORSIGTIG:

Hvis enheden ikke anvendes, justeres og behandles i overensstemmelse med brugervejledningen, kan det resultere i farlig stråling.

FORHOLDSREGLER FØR IBRUGTAGNING

HUSK DISSE ANVISNINGER:

1. Tildæk eller blokér ikke ventilationsåbningerne. Hvis enheden placeres på en hylde, skal der være et frirum på 5 cm på alle sider af enheden.
2. Installér enheden iht. anvisningerne i den medfølgende brugervejledning.
3. Hold enheden på afstand af varmekilder som fx radiatorer, varmeapparater, ovne, stearinlys og andre varmegenererende produkter samt åben ild. Enheden er udelukkende til brug i tempererede klimazoner. Undgå stærk varme og kulde. Driftstemperatur mellem 0° og 35 °C.
4. Undlad at anvende enheden nær stærke magnetfelter.
5. Elektrostatisk udladning kan forstyrre denne enheds normale drift. Sker det, skal du blot nulstille og genstarte enheden i henhold til anvisningerne i brugervejledningen. Under filoverførsel skal du handle med omhu og betjene enheden i et område fri for statisk elektricitet.
6. Advarsel! Stik aldrig genstande ind i enheden gennem ventilationsåbninger eller sprækker. Produktet indeholder strømførende dele, og hvis du stikker en genstand ind i enheden, kan det medføre elektrisk stød og/eller kortslutning af de indre dele. Af samme grund må du ikke spilde vand eller væske på produktet.
7. Benyt ikke enheden på våde eller fugtige steder som fx på et badeværelse, i et dampfyldt køkken eller nær en swimmingpool.
8. Enheden må ikke udsættes for dryp eller stænk. Der må ikke anbringes genstande fyldt med væske, som fx vaser, på eller i nærheden af apparatet.
9. Brug ikke enheden på steder, hvor der kan opstå kondens. Hvis enheden placeres i et varmt og fugtigt rum, kan der danne sig vanddråber eller kondens inde i den, og den kan muligvis ikke fungere korrekt. Lad enheden stå slukket i 1-2 timer, inden du tænder den. Enheden skal være tør, når der tændes for strømmen.
10. Trods det, at enheden er fremstillet med yderste omhu og kontrolleret flere gange før afsendelse fra fabrikken, kan det stadig forekomme, som med alle elektriske apparater, at der opstår problemer. Hvis du oplever røg eller overdreven varmeudvikling eller andre uventede fænomener, bør du omgående tage stikket ud af stikkontakten.
11. Denne enhed skal drives af en strømkilde som den, der er angivet på mærkepladen. Hvis du ikke er sikker på, hvilken forsyningsspænding, der anvendes i dit hjem, bør du søge vejledning hos din forhandler eller det lokale elselskab.
12. Hold enheden udenfor dyrs rækkevidde. Nogle kæledyr kan finde på at bide i strømkabler.
13. Rengør enheden med en blød, tør klud. Brug ikke opløsningsmidler eller benzinbaserede væsker. Hårdnakkede pletter kan fjernes med en let fugtet klud med en mild sæbeopløsning.
14. Producenten er ikke ansvarlig for skade eller mistede data, der skyldes fejlfunktion, misbrug, ændringer af enheden eller udskiftning af batterier.
15. Undlad at afbryde forbindelsen, mens enheden formateres, eller der overføres filer. I modsat fald kan data blive beskadiget eller gå tabt.
16. Hvis enheden er udstyret med funktion til USB-afspilning, skal USB-sticken sættes direkte i apparatet. Brug ikke et USB-forlænger-kabel, da et sådant kan skabe interferens og føre til tab af data.
17. Mærkepladen findes i bunden eller på bagsiden af enheden.
18. Denne enhed må ikke bruges af personer (inkl. børn) med nedsatte fysiske motoriske eller mentale evner eller manglende erfaring, medmindre de er blevet instrueret i brugen af en person, der er ansvarlig for deres sikkerhed, og er under dennes opsyn.
19. Produktet er udelukkende beregnet til professionel brug, ikke til kommerciel eller industriel anvendelse.
20. Sørg for, at enheden er placeret stabilt. Skade, der skyldes anvendelse af produktet i en ustabil position, vibrationer, stød eller manglende overholdelse af de retningslinjer og andre advarsler, der er udstukket i denne brugervejledning, dækkes ikke af garantien.
21. Åbn aldrig enhedens kabinet.
22. Placér aldrig denne enhed ovenpå andet elektrisk udstyr.
23. Lad ikke børn få adgang til plastposer.

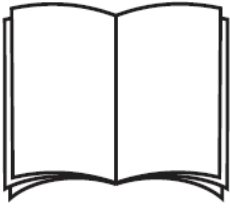
24. Brug kun tilslutninger/tilbehør, der er angivet af producenten.
25. Overlad alt servicearbejde til et kvalificeret serviceværksted. Service er påkrævet, hvis enheden på nogen måde er blevet beskadiget, hvis fx strømkablet eller stikket er beskadiget, hvis der er spildt væske på enheden, eller hvis en genstand er faldet ned i den, hvis enheden har været udsat for regn eller fugt, ikke fungerer korrekt eller er blevet tabt.
26. Langvarig lytning for musik ved høj lydstyrke kan medføre midlertidigt eller permanent høretab.
27. Hvis produktet leveres med strømkabel eller strømforsyning til vekselstrøm:
- Hvis der opstår problemer, skal du tage stikket ud af kontakten og overlade al service til kvalificeret teknikere.
 - Undlad at træde på eller klemme strømforsyningen. Vær forsigtig, især nær de steder, hvor stik og kabler er fastgjort. Undlad at placere tunge genstande på strømforsyningen, da dette vil kunne beskadige den. Hold hele enheden udenfor børns rækkevidde! Hvis børn leger med strømkabler, kan de komme slemt til skade.
 - Tag stikket ud af stikkontakten i tordenvejr, samt hvis du ikke skal bruge enheden i længere tid.
 - Enheden skal placeres nær stikkontakten, og der skal altid være let adgang til den stikkontakt, enheden er tilsluttet.
 - Undlad at overbelaste stikkontakter eller forlængerledninger. Overbelastning kan medføre brand eller elektrisk stød.
 - Enheder med klasse 1-opbygning bør forbindes til en stikkontakt med jord.
 - Enheder med klasse 2-opbygning kræver ikke jordforbindelse.
 - Hold altid i stikket, når du tager det ud af stikkontakten. Træk ikke i strømkablet. Dette kan medføre kortslutning.
 - Ikke en beskadiget ledning eller stik eller en løs stikkontakt. Gør du det, kan det medføre brand eller elektrisk stød.
28. Hvis produktet indeholder eller leveres med en fjernbetjening indeholdende knapcellebatterier:
Advarsel:
- "Slug ikke batteriet, der er risiko for kemisk forbrænding" eller tilsvarende.
 - [Fjernbetjeningen leveret med] dette produkt indeholder et knapcellebatteri. Hvis batteriet sluges, kan det medføre alvorlige indre forbrændinger på blot 2 timer, hvilket kan medføre dødsfald.
 - Hold nye og brugte batterier udenfor børns rækkevidde.
 - Hvis batterirummet ikke kan lukkes sikkert, skal du holde op med at bruge produktet og holde det udenfor børns rækkevidde.
 - Hvis du tror, et batteri kan være blevet slugt eller placeret inden i nogen del af kroppen, skal du omgående søge lægehjælp.
29. Advarsler omkring brug af batterier:
- Eksplosionsfare, hvis batteriet udskiftes med et andet af forkert type. Udskift udelukkende med samme eller tilsvarende type.
 - Batteriet må ikke udsættes for ekstremt høje eller lave temperaturer eller lavt lufttryk ved stor højde under brug, opbevaring eller transport.
 - Udskiftning af et batteri med et andet af forkert type kan medføre eksplosion eller lækage af brændbar væske eller gas.
 - Bortskaffelse af batterier ved afbrænding eller i en varm ovn eller ved mekanisk knusning eller opskæring af et batteri kan medføre en eksplosion.
 - Hvis et batteri efterlades i omgivelser med ekstremt høje temperaturer, kan det medføre eksplosion eller lækage af brændbar væske eller gas.
 - Hvis et batteri udsættes for ekstremt lavt lufttryk, kan det medføre eksplosion eller lækage af brændbar væske eller gas.
 - Tænk på miljøet ved bortskaffelse af brugte batterier.

INSTALLATION

- Udpak alle dele, og fjern beskyttelsesmaterialerne.
- Slut ikke enheden til lysnettet, før du har kontrolleret forsyningsspændingen og foretaget alle nødvendige tilslutninger.

Tilbehøret omfatter:

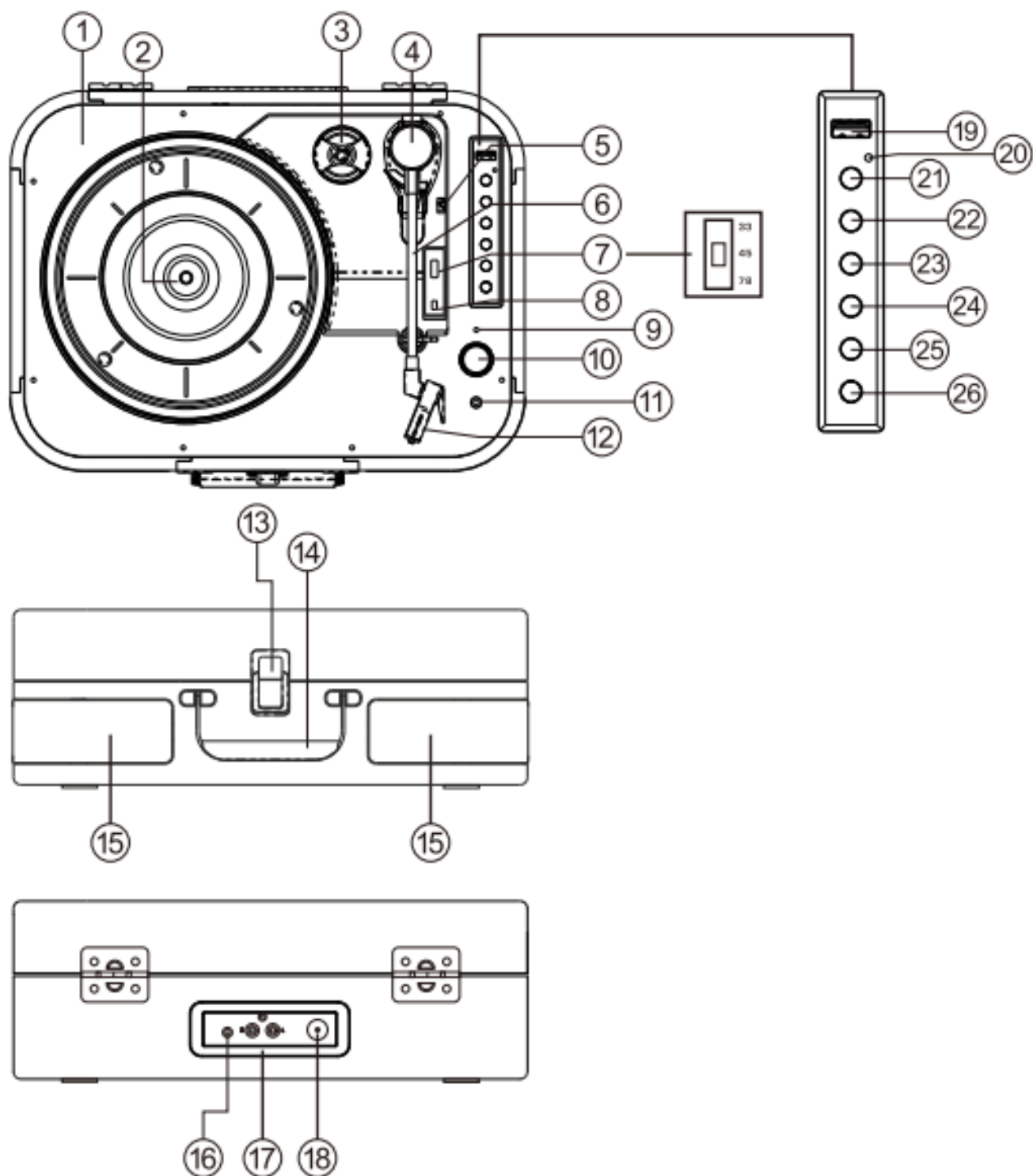
Brugervejledning



Strømforsyning



Knapper og kontroller



1. Pladetallerken
2. Spindel

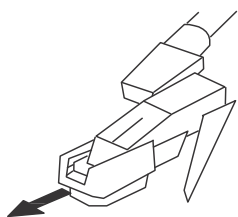
3. Singleadapter
4. Tonearm
5. Løftekontakt til tonearm
6. Tonearmslås
7. Hastighedsvælger
8. Auto-stopkontakt
9. LED-kontrollampe for status
10. Tænd/slukkkontakt/Lydstyrke
11. Stik til hovedtelefoner
12. Nål
13. Snaplås
14. Bærehåndtag
15. Højtaler
16. Aux-indgang
17. Line out kanal R/L
18. DC-strømindtag
19. USB-port
20. LED-kontrollampe for funktion
21. Optagelse
22. Forrige skæring
23. Next skæring
24. Play/pause
25. Mode
26. Parring

Tilstand

1. Tryk kort på knappen "Mode" for at vælge afspilningstilstand.
2. Den blå LED-kontrollampe blinker under Bluetooth-parring.
3. Den blå LED-kontrollampe lyser konstant, når Bluetooth er tilsluttet.
4. Den røde LED-kontrollampe lyser konstant, når pladespiller/Aux-tilstand er aktiv.
5. Den grønne LED-kontrollampe lyser konstant, når USB-tilstand er aktiv.

Sådan bruges pladespilleren

1. Placér pladespilleren på et plant, jævnt underlag.
2. Sæt stikket til strømforsyningen i DC-stikket på bagsiden af kabinettet, og slut strømforsyningen til en stikkontakt.
3. Ved første ibrugtagning skal du sikre dig, at kabelbinderen er fjernet fra tonearmen.
4. Fjern hættten fra nålen, og gem den på et sikkert sted til senere brug.



5. Flyt hastighedsvælgeren til den ønskede hastighed (33, 45 eller 78 o./min.) afhængigt af den plade, du vil afspille.
6. Drej volumenknappen for at tænde pladespilleren, hvorefter kontrollampen for tilstand lyser rødt.
7. Læg en plade på pladetallerkenen, og åbn tonearmslåsen.
8. Brug løfteren til at løfte tonearmen, og før armen ind, så nålen er placeret direkte over den yderste rille eller starten på den skæring, du vil afspille.
9. Sænk langsomt tonearmen, hvorefter afspilningen starter.
10. Justér lydstyrken til det ønskede niveau ved at dreje volumenknappen.
11. Når pladen er spillet færdig, stopper pladespilleren.
12. Brug løftekontakten til at løfte tonearmen igen (pladetallerkenen begynder at dreje igen), og før tonearmen tilbage til holderen. Pladetallerkenen stopper.
13. Lås tonearmen med låseklipsen, og sæt hættten på nålen igen efter brugen samt altid inden pladespilleren flyttes.
14. Hvis du vil slukke pladespilleren, kan du når som helst hæve tonearmen fra pladen og dreje volumenknappen helt i bund mod uret.

Bemærk

Nogle plader har et større midterhul, og det kan være nødvendigt at sætte singleadapteren på spindelen, inden du lægger pladen på. Sæt altid hættten på nålen, og lås tonearmen med klipsen, inden du flytter pladespilleren.

Brug med ekstern enhed

1. Eksternt analogt lydudstyr kan tilsluttes og forstærkes via pladespilleren.
2. Slut det eksterne udstyr til ved hjælp af et kabel med 3,5 mm jackstik tilsluttet stikket mærket AUX IN (kabel medfølger ikke).
3. Tryk på afspilningsknappen på det eksterne udstyr, og betjen knapperne på den eksterne enhed på sædvanlig vis.
4. Lydstyrken kan reguleres med lydstyrkeknappen på pladespilleren eller med knapperne på den eksterne enhed.
5. Hvis du vil slukke for enheden når som helst, skal du dreje lydstyrkeknappen helt mod uret.

Brug af hovedtelefoner (tilkøb)

Enheden er udstyret med et stereostik til hovedtelefoner, så du kan anvende pladespilleren uden at forstyrre andre.

Slut hovedtelefonerne til hovedtelefonstikket nær lydstyrkeknappen, og justér lydstyrken til det ønskede niveau. Overdrevent lydtryk fra brug af hovedtelefoner kan medføre høretab. Pladespillerens højttaler er slået fra, når hovedtelefoner er tilsluttet.

Tilslutning af ekstern højttaler til pladespilleren

Du kan slutte pladespilleren til eksterne højttalere (via en passende forstærker). Brug et 2 x phono til 2 x phono-kabel (tilkøb), og slut RCA-udgangene på pladespilleren til lydindgangene på forstærkeren. Sørg for at slutte de røde stik til de røde indgange, og de hvide stik til de hvide indgange.

Anvendelse med Bluetooth-enhed

Tjek, at din pladespiller er i Bluetooth-tilstand. Hvis pladespilleren ikke allerede er i Bluetooth-tilstand, skal du trykke kort på knappen Mode, indtil Bluetooth-tilstand er aktiv (den blå LED-kontrollampe lyser). Pladespilleren begynder at søge efter Bluetooth-enheder (den blå LED-kontrollampe blinker under parringen).

I Bluetooth-tilstand:

1. Din enhed søger efter Bluetooth.
2. Slå Bluetooth til på den eksterne enhed (fx iPhone/iPad/Android/anden telefon/tablet-pc/computer), og sørg for, at enheden er 'søgbare'.

Bemærk: Se om nødvendigt vejledningen til din enhed for oplysninger om opsætning af Bluetooth.

3. Vælg om nødvendigt 'Add new device' (tilføj ny enhed).

Bemærk: Nogle enheder begynder automatisk at søge efter nye enheder. I så fald er 'Add new device' (tilføj ny enhed) ikke tilgængelig.

4. Når den er fundet, vises din enhed som "Lenco TT-116". Vælg enheden, hvorefter parringen starter.
5. Når parringen er gennemført, vises 'Bluetooth Connected' (Bluetooth tilsluttet).
6. Din enhed er nu parret med pladespilleren og vil oprette forbindelse til den, når den er indenfor rækkevidde (dvs. indenfor en afstand på 10 meter eller derunder) i ret linje.
7. Din enhed forbliver parret med pladespilleren, til du frakobler den eller vælger 'unpair' for at ophæve parringen.
8. Du kan trykke kort på "Pair" for at genoprette forbindelsen.

Afspilning via Bluetooth

1. Tryk på "Previous" for at få den forrige sang på din Bluetooth-enhed.
2. Tryk på "Next" for at gå til næste musikfil på din Bluetooth-enhed.
3. Tryk på "Play/pause" for at afspille fra din Bluetooth-enhed eller sætte afspilningen på pause.

"Dette produkt har en Bluetooth **modtagefunktion**, men du kan ikke overføre lyd via Bluetooth fra den: Det betyder, at du kan modtage trådløs lyd via Bluetooth fra en ekstern kilde som fx en smartphone."

Afspilning via USB

1. Slut et USB-flashdrev eller en MP3-afspiller til USB-porten.

2. Afspilningen starter automatisk

USB-kodning

Du kan optage til et USB-flashdrev fra en vinylplade, Bluetooth- eller Aux-enhed i formatet MP3.

1. Slut et USB-flashdrev til USB-porten.
2. Tryk på knappen "Mode", og vælg den signalkilde, Bluetooth, pladespiller eller Aux, som du vil optage til USB fra.
3. Tryk på knappen "REC", hvorefter den røde LED-kontrollampe blinker. Optagelsen starter.
4. Tryk på knappen "REC" igen for at afbryde optagelsen.

SÅDAN UDSKIFTES NÅLEN

Hvis du har brug for at udskifte nålen, skal du følge vejledningen herunder.

Sådan tages nålen ud af pickuppen

1. Placér en skruetrækker ved spidsen af nålen, og tryk nedad som vist på fig. "A".
2. Tag nålen ud ved at trække den fremad og nedad.

Sådan isættes nålen

1. Hold i spidsen af nålen, og før den ind i pickuppen, som vist på fig. "B".
2. Skub nålen opad i retning "C", indtil nålen klikker på plads.



Styrestifter (indeni)

Styrestifter (indeni)

NOTER

Vi anbefaler, at du renser dine plader med en antistatisk klud for at opnå den bedst mulige lyd kvalitet fra dem.

Af samme grund anbefaler vi, at nålen udskiftes med jævne mellemrum (efter ca. hver 250 timers afspilning).

Strømforsyning

Brug kun den strømforsyning, der er angivet i betjeningsvejledningen.

Information	Værdi og præcision
Producentens navn eller varemærke, kommercielle registrering og adresse	DongGuan Obelieve Electronic Co., Ltd Huazhaoxin Industrial park B-4/F, Golden phoenix industrial zone, Fenggan town, Dongguan city, Guangdong province, Kina
Modelnr.	OBL-0501000E / OBL-0501000B
Indgangsspænding	100-240 V
AC-indgangsfrekvens	50/60 Hz
Udgangsspænding	5 V
Udgangsstrøm	1 A
Udgangseffekt	5 W
Gns. aktiv effektivitet	73,62
Strømforbrug ved ingen belastning	≤ 0,10

Garanti

Commaxx B.V. tilbyder service og garanti i overensstemmelse med europæisk lovgivning, hvilket betyder, at i tilfælde af reparation (både under og efter garantiperiodens udløb) bør du kontakte din lokale forhandler.

Vigtig meddelelse: Det er ikke muligt at sende produktet direkte til Commaxx B.V., hvis det kræver reparation.

Vigtig meddelelse: Hvis enheden åbnes eller på nogen måde tilgås af et ikke-godkendt servicecenter, bortfalder garantien.

Denne enhed er ikke egnet til professionel brug. I tilfælde af professionel brug bortfalder alle garantiforpligtelser fra producentens side.

Ansvarsfraskrivelse

Firmware og/eller hardwarekomponenter opdateres regelmæssigt. Derfor kan visse dele af vejledningen, specifikationerne og illustrationerne i vejledningen variere en smule fra dit faktiske produkt. Alle elementer, der beskrives i denne vejledning, er kun til illustration og gælder måske ikke i den givne situation. Ingen juridisk ret eller rettighed kan opnås fra beskrivelsen i denne vejledning.

Bortskaffelse af udtjente enheder



Symbolet angiver, at det relevante elektriske produkt eller batteri inden for Europa ikke må bortskaffes som almindeligt husholdningsaffald. For at sikre korrekt affaldsbehandling af produktet og batteriet skal du bortskaffe dem i overensstemmelse med gældende lokal lovgivning om bortskaffelse af elektrisk udstyr eller batterier. På den måde hjælper du med at bevare naturressourcer og forbedre miljøbeskyttelsen indenfor behandling og bortskaffelse af elektrisk affald (Direktiv om affald af elektrisk og elektronisk udstyr).

OVERENSSTEMMELSESERKLÆRING

Hermed erklærer Commaxx, at radioudstyrstypen [Lenco TT-116] er i overensstemmelse med direktiv 2014/53/EU.

EU-overensstemmelseserklæringens fulde tekst kan findes på følgende internetadresse:

https://commaxx-certificates.com/doc/tt-116_doc.pdf

Type RF	Frekvensområde (MHz)	Effekt (dBm)
Bluetooth	2402-2480	< 6



ADVARSEL: Undgå risiko for høreskader ved aldrig at lytte ved høj lydstyrke i længere tid ad gangen.

Service

Se mere information og få kundeservice på support.lenco.com

Commaxx B.V. Wiebachstraat 37, 6466 NG Kerkrade, The Netherlands.

VAR FÖRSIKTIG:

Att använda kontroller eller justeringar eller utföra andra förfaranden än de som anges häri kan leda till att du utsätts för farlig strålning.

FÖRSIKTIGHETSÅTGÄRDER INNAN ANVÄNDNING

HA DESSA INSTRUKTIONER I ÅTANKE:

1. Täck inte över eller blockera några ventilationsöppningar. När enheten placeras på en hylla bör det lämnas 5 cm ledigt utrymme runt hela enheten.
2. Montera i enlighet med den medföljande användarmanualen.
3. Håll enheten borta från värmekällor såsom radiatorer, värmare, spisar, ljus och andra värmegenererande produkter eller öppen eld. Enheten kan endast användas i måttliga klimat. Extremt kalla eller varma omgivningar bör undvikas. Drifttemperatur mellan 0 och 35 °C.
4. Undvik att använda enheten nära starka magnetfält.
5. Elektrostatisk urladdning kan störa den normala användningen av den här enheten. Återställ och starta om enheten enligt instruktionsboken om så är fallet. Hantera försiktigt och använd i en statiskt fri miljö vid filöverföring.
6. Varning! För aldrig in ett föremål i produkten genom ventilerna eller öppningarna. Högsänning flödar genom produkten och om du för in ett föremål kan det orsaka elektriska stötar och/eller kortslutning av interna komponenter. Spill inte vatten eller vätska på produkten av samma anledning.
7. Använd inte i våta eller fuktiga områden såsom badrum, ångfyllda kök eller i närheten av simbassänger.
8. Enheten får inte utsättas för dropp eller stänk och se till att inga föremål fyllda med vätskor såsom vaser placeras på eller i närheten av den.
9. Använd inte den här enheten när kondens kan uppstå. När enheten används i ett varmt och fuktigt rum kan vattendroppar eller kondens uppstå inuti enheten och enheten kanske inte fungerar som den ska. Låt enheten vara avstängd i en eller två timmar innan du slår på strömmen igen. Enheten ska vara torr innan strömmen slås på.
10. Även om denna enhet tillverkas med största omsorg och kontrolleras flera gånger innan den lämnar fabriken är det fortfarande möjligt att problem kan uppstå vilket gäller alla elektriska apparater. Om du märker rök, kraftig uppbyggnad av värme eller andra oväntade fenomen ska du omedelbart dra ur kontakten ur eluttaget.
11. Enheten måste drivas med en strömkälla såsom anges på de särskilda märkningskraven. Kontakta din återförsäljare eller lokala elbolag om du är osäker på vilken typ av strömförsörjning som används i ditt hem.
12. Håll på säkert avstånd från husdjur. Vissa djur kan bita på elkablar.
13. Använd en mjuk och torr trasa för att rengöra enheten. Använd inte lösningsmedel eller bensinbaserade vätskor. För att ta bort allvarliga fläckar kan du använda en fuktig trasa med utspätt rengöringsmedel.
14. Leverantören ansvarar inte för skador eller förlorade data orsakade av fel, missbruk, modifiering av enheten eller batteribyte.
15. Avbryt inte anslutningen när enheten formaterar eller överför filer. Data kan då bli skadade eller förloras.
16. Om enheten har en funktion med USB-uppspelning bör USB-minnet anslutas direkt till enheten. Använd inte en USB-förlängningskabel eftersom den kan orsaka störningar som kan leda till att data tappas bort.
17. Klassificeringsetiketten är placerad på enhetens undersida eller baksida.
18. Den här enheten är inte avsedd för att användas av personer (inklusive barn) med fysiska, sensoriska eller psykiska funktionshinder eller brist på erfarenhet och kunskap såvida de inte är under övervakning av eller har fått instruktioner om korrekt användning av enheten av den person som ansvarar för deras säkerhet.
19. Den här produkten är endast avsedd för icke-professionell användning och inte för kommersiellt eller industriellt bruk.
20. Se till att enheten är justerad till en stabil position. Skador orsakade av att använda den här produkten i ett instabilt läge med vibrationer eller stötar eller av att inte följa någon annan varning eller försiktighetsåtgärd i denna användarmanual täcks inte av garantin.
21. Ta aldrig bort enhetens hölje.
22. Placera aldrig enheten på annan elektrisk utrustning.
23. Låt inte barn ha tillgång till plastpåsar.

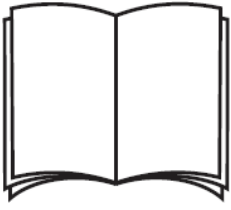
24. Använd endast tillbehör som anges av tillverkaren.
25. Överlåt all service till kvalificerad servicepersonal. Service krävs när enheten har skadats på något sätt, exempelvis på strömkabeln eller strömkontakten, när vätska har spillts eller föremål fallit in i den, när den har utsatts för regn eller fukt och inte fungerar normalt eller har tappats.
26. Lång exponering för höga ljud från musikspelare kan leda till tillfällig eller permanent hörselnedsättning.
27. Om produkten levereras med strömkabel eller nätadapter:
- Dra ur strömkabeln och kontakta behörig personal för service om ett problem uppstår.
 - Trampa inte på nätadaptern och kläm den inte. Var mycket försiktig och då särskilt nära kontakter och kabelns uttag. Placera inte tunga föremål på nätadaptern då detta kan skada den. Håll hela enheten utom räckhåll för barn! När de leker med strömkabeln kan de skada sig själva.
 - Koppla ur denna enhet under åskväder eller när den inte används under en längre period.
 - Eluttaget måste finnas nära utrustningen och måste vara lättillgängligt.
 - Överbelasta inte eluttaget eller förlängningsladdar. Överbelastning kan orsaka brand eller elektriska stötar.
 - Enheter med klass 1-konstruktion bör anslutas till ett vägguttag med skyddsjord.
 - Enheter med klass 2-konstruktion kräver ingen jordad anslutning.
 - Håll alltid i kontakten när du drar ut den ur vägguttaget. Dra inte i strömkabeln. Detta kan orsaka en kortslutning.
 - Använd inte en skadad strömkabel, strömkontakt eller ett löst vägguttag. Om du gör detta kan det orsaka brand eller elektriska stötar.
28. Om produkten innehåller eller levereras med en fjärrkontroll som innehåller mynt/cellbatterier:
Varning:
- "Svälj inte batterier då kemiska brännskador" eller motsvarande kan uppstå.
 - [Den medföljande fjärrkontrollen] Denna produkt innehåller ett knappcells batteri. Om batteriet sväljs kan det orsaka allvarliga inre brännskador på bara två timmar och vara livshotande.
 - Håll nya och använda batterier borta från barn.
 - Om batterifacket inte går att stänga ordentligt bör du sluta använda produkten och hålla den borta från barn.
 - Om du tror att batterier har svalts eller finns någonstans i kroppen ska du omedelbart söka läkarvård.
29. Varning om användning av batterier:
- Explosionsrisk om batteriet byts ut felaktigt. Byt endast ut mot samma eller motsvarande typ.
 - Batteriet får inte vid användning, förvaring eller transport utsättas för extremt höga eller låga temperaturer samt lågt lufttryck vid hög höjd.
 - Att byta ut ett batteri mot en felaktig typ kan leda till en explosion eller läckage av brandfarlig vätska eller gas.
 - Kassering av ett batteri i eld, en varm ugn, mekaniskt krossning eller skärning av det kan resultera i en explosion.
 - Att lämna ett batteri i en omgivning med extremt hög temperatur kan resultera i en explosion eller läckage av brandfarlig vätska eller gas.
 - Ett batteri som utsätts för extremt lågt lufttryck kan leda till en explosion eller läckage av brandfarlig vätska eller gas.
 - Miljöaspekterna bör uppmärksammas när det gäller kassering av batterier.

MONTERING

- Packa upp alla delar och ta bort skyddsmaterialet.
- Anslut inte enheten till elnätet innan du kontrollerar nätspänningen och att alla andra anslutningar har gjorts.

Tillbehör som medföljer:

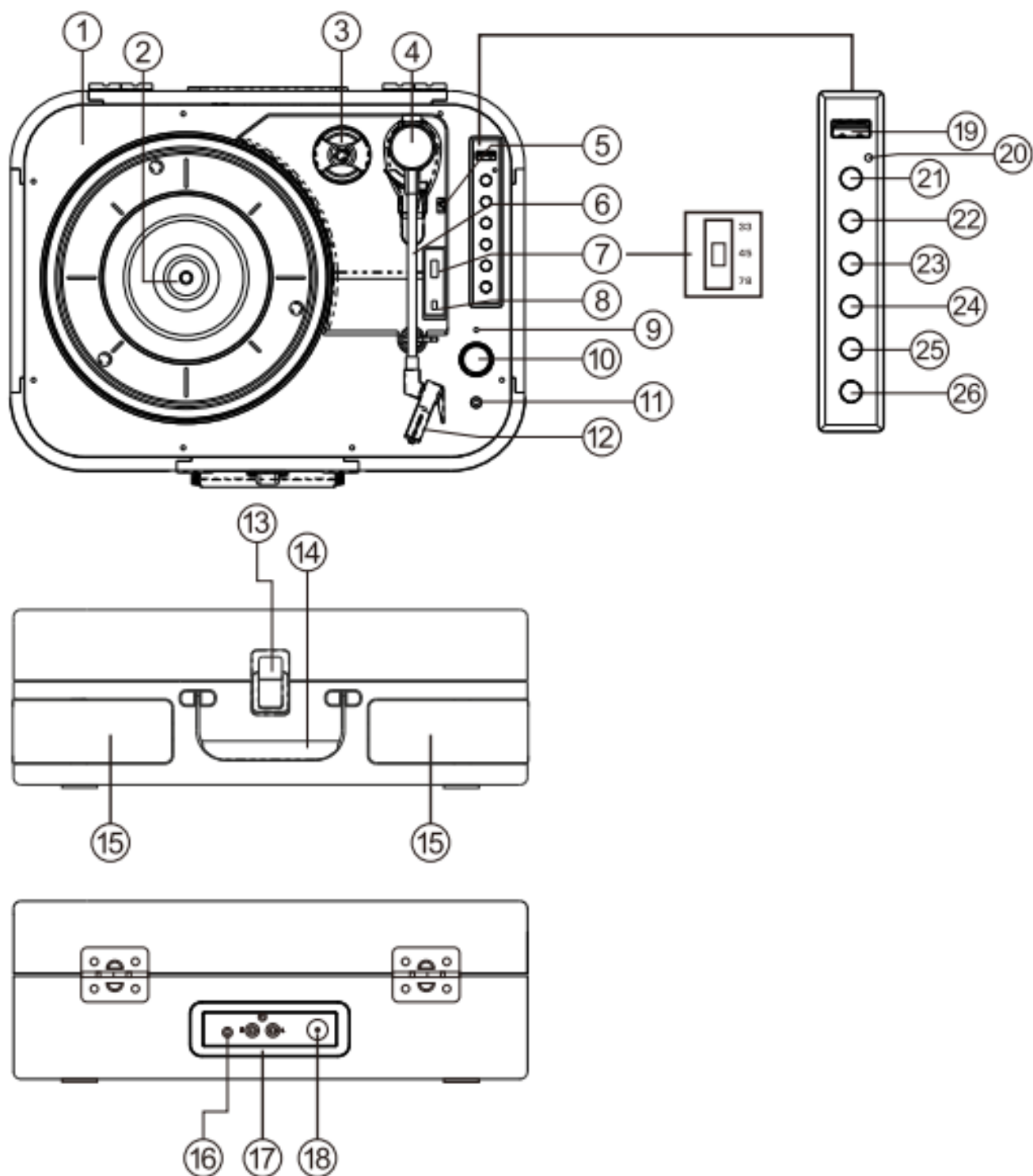
Bruksanvisning



Strömadapter



Kontrollernas placering



1. Skivspelarens tallrik
2. Spindel

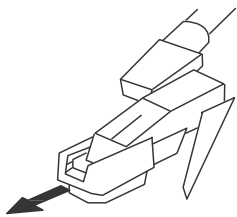
3. Adapter för centerhål
4. Tonarm
5. Anläggningsspak
6. Tonarmsvagg
7. Skivspelaren varvtalsväljare
8. Omkopplare för automatiskt stopp
9. LED-statusindikator
10. Strömbrytare/volymkontroll
11. Uttag för hörlurar
12. Nål
13. Låsspärr
14. Bärhandtag
15. Högtalare
16. Aux in-uttag
17. Line out-kanal H/V
18. DC in-uttag
19. USB-plats
20. LED-indikator för funktioner
21. Inspelning
22. Föregående spår
23. Next spår
24. Play/pause
25. Mode
26. Parkoppla

Mode

1. Tryck kort på "Mode" för att välja uppspelningsläget.
2. Den blåa LED-indikatorn blinkar när Bluetooth parkopplas.
3. Den blåa LED-indikatorn lyser fast när Bluetooth är ansluten
4. Den röda LED-indikatorn lyser fast när enheten är i läget Skivspelare/Aux in.
5. Den gröna LED-indikatorn lyser fast när enheten är i läget USB.

Använda skivspelaren

1. Placera skivspelarens fodral på en platt och plan yta.
2. Anslut nätadaptersn sladd till DC-uttaget på baksidan av fodralet och anslut nätadaptern till ett eluttag.
3. Se till att buntbandet tas bort från tonarmen vid första användning.
4. Ta bort nålskyddet och förvara det på en säker plats för framtida användning



5. Flytta varvtalsväljaren till varvtalet (33, 45 eller 78 rpm) som motsvarar skivan som ska spelas upp
6. Vrid på volymreglaget för att slå på skivspelaren. Lägesindikatorn lyser rött
7. Placera en skiva på skivspelarens spindel och frigör tonarmen
8. Använd anläggningsspaken för att lyfta tonarmen och flytta den till nålen är placerad precis innanför kanten på skivan, eller i linje med början av spåret som ska spelas upp.
9. Sänk armen långsamt. Efter en kort stund börjar skivan spelas upp
10. Vrid på volymreglaget för att justera volymen till önskad nivå
11. Skivspelaren stannar när slutet av skivan har nåtts
12. Använd spaken igen för att lyfta tonarmen (tallriken börjar rotera igen). Flytta tillbaka den till vaggan och sänk ned armen. Tallriken stannar
13. Fäst tonarmen med klämman och sätt tillbaka nålskyddet efter användning och alltid innan skivspelaren flyttas
14. Lyft tonarmen från skivan och vrid volymreglaget helt moturs för att, när som helst, stänga av skivspelaren.

Obs

Vissa skivor har större mitthål och kan behöva en centerhåladapter på skivspelarens axel innan skivan används. Sätt alltid tillbaka pickupskalet och säkra tonarmen med klämman innan skivspelaren flyttas.

Använda med en extern enhet

1. Extern analog ljudutrustning kan anslutas och förstärkas via skivspelaren.
2. Anslut den externa utrustningen med en 3,5 mm kabel (kabel ingår ej) till Aux in-uttaget.
3. Tryck på uppspelningsknappen på den externa enheten och använd även kontrollerna på den som vanligt.
4. Volymen kan justeras med volymreglaget på skivspelaren eller kontrollerna på den anslutna externa enheten.
5. Vrid volymreglaget helt moturs för att när som helst stänga av enheten.

Använda hörlurar (ingår ej)

Ett uttag för stereohörlurar finns vilket låter skivspelaren användas utan att störa andra.

Anslut hörlurarna vid det markerade uttaget nära volymreglaget och justera lyssningsvolymen till vald nivå. För högt ljudtryck från hörlurar kan orsaka hörselnedsättning. Skivspelarens högtalare fungerar inte medan hörlurar är anslutna.

Ansluta skivspelaren till externa högtalare

När skivspelaren ansluts till externa högtalare (via en lämplig förstärkare) ska en dubbel phono till phono-kabel (ingår ej) användas för att ansluta RCA-utgångarna till ljudingången på förstärkaren. Garantera att röda kontakter ansluts till de röda uttagen och vita till vita.

Använda med en Bluetooth-enhet

Kontrollera att skivspelaren är i läget Bluetooth. Tryck kort på knappen Mode (Läge) till läget Bluetooth är aktiverat (den blåa LED-indikatorn lyser fast). Den börjar söka efter Bluetooth-enheter (den blåa LED-indikatorn blinkar under parkoppling).

I läget Bluetooth:

1. Enheten söker efter en Bluetooth-signal.
2. Aktivera Bluetooth på enheten (såsom en iPhone/iPad/Android/annan telefon/surfplatta/dator) och se till att den kan "detekteras".

Obs! Se, efter behov, instruktionerna för din enhet beträffande att lägga till eller konfigurera Bluetooth.

3. Välj "Add new device" (Lägg till ny enhet) efter behov.

Obs! Vissa produkter söker automatiskt efter en ny enhet och alternativet "Add new device" (Lägg till ny enhet) är inte tillgängligt.

4. När enheten hittas visas den som "Lenco TT-116". Välj och börja parkoppla.
5. När parkopplingen är slutförd visas "Bluetooth Connected" (Bluetooth ansluten).
6. Nu när du har parkopplat enheten med skivspelaren ansluts de medan de är inom räckhåll, vilket är maximalt cirka 10 meter (33 fot) eller mindre utan hinder.
7. Enheten förblir parkopplad med skivspelaren såvida du inte bestämmer dig för att koppla bort den eller "unpair".
8. Du kan trycka kort på "Pair" för att återansluta enheten.

Spela upp via Bluetooth

1. Tryck på "Previous" på Bluetooth-enheten för föregående spår.
2. Tryck på "Next" på Bluetooth-enheten för nästa spår.
3. Tryck på "Play/pause" för att spela upp eller pausa Bluetooth-enheten.

"Denna produkt har en funktion för **mottagning** av Bluetooth, **men det går inte att överföra något bluetooth-ljud med den**. Detta betyder att du trådlöst kan ta emot en bluetooth-ljudsignal från en extern källa som till exempel en smartphone."

Använda med USB-uppspelning

1. Anslut USB-minnet eller MP3-spelaren till USB-porten.
2. Det börjar spela upp automatiskt

Använda med USB-kodning

Du kan spela in en vinylskiva, Bluetooth och Aux i Mp3-format till ett USB-minne.

1. Anslut USB-minnet till USB-porten.
2. Tryck på "mode" för att välja Bluetooth, Skivspelare eller Aux som ska spelas in på USB-minnet.
3. Tryck på "REC". LED-indikatorn börjar blinka. Detta indikerar att den spelar in.
4. Tryck på "REC" igen för att stoppa inspelningen.

BYTA UT NÅLEN

Se anvisningarna nedan för att byta ut nålen.

Ta bort nålen från pickupen

1. Placera en skruvmejsel på spetsen av nålen och tryck nedåt i riktningen som visas på bild "A".
2. Ta bort nålen genom att dra den framåt och trycka nedåt.

Montera nålen

1. Håll i spetsen på nålen och för in den genom att trycka såsom visas på bild "B".
2. Tryck nålen uppåt i den riktning som visas på bild "C" till den låses fast på plats.



Styrstift (inuti)

Styrstift (inuti)

OBS

Vi råder dig att rengöra skivor med en antistatisk trasa för att få ut maximal upplevelse från dem.

Vi rekommenderar, av samma orsak, att nålen bör bytas med jämna mellanrum (cirka varje 250 uppspelningstimmar).

TIPS FÖR BÄTTRE PRESTANDA FRÅN DIN SKIVSPELARE

1. Hantera skivspelarens lock försiktigt när det öppnas eller stängs. Lyft antingen i mitten eller på varje sida.
2. Rör inte vid nålspetsen med fingrarna. Undvik att stöta nålen mot tallriken eller kanten på skivan.
3. Rengör nålspetsen ofta – använd endast en mjuk borste i en linjär rörelse.
4. Om en nålrengöringsvätska måste användas ska den användas sparsamt.
5. Torka försiktigt av skivspelarens hölje med en mjuk trasa. Använd endast en liten mängd mildt diskmedel

Använd endast den strömförsörjning som anges i bruksanvisningen.

Information	Värden och precision
Tillverkarens namn eller varumärke, kommersiell registrering och adress	DongGuan Obelieve Electronic Co., Ltd Huazhaoxin Industrial park B-4/F, Golden phoenix industrial zone, Fenggan town, Dongguan city, Guangdong province, Kina
Modellbeteckning	OBL-0501000E/OBL-0501000B
Inspänning	100–240 V
Inspänningens frekvens	50/60 Hz
Utspänning	5 V
Utström	1 A
Uteffekt	5 W
Genomsnittlig verkningsgrad i aktivt läge	73,62
Effektförbrukning utan belastning	≤ 0,10

Garanti

Commaxx B.V. erbjuder service och garanti i enlighet med europeisk lagstiftning, vilket innebär vid fall av reparationer (både under och efter garantins giltighetsperiod) ska du kontakta din lokala återförsäljare.

Viktigt: Det är inte möjligt att skicka produkter som är i behov av reparation direkt till Commaxx B.V.

Viktigt: Om denna enhet öppnas eller görs åtkomlig av ett icke officiellt servicecenter på något sätt, utgår garantin.

Denna enhet är inte lämplig för yrkesmässig användning. Vid yrkesmässig användning, upphör samtliga garantier från tillverkaren att gälla.

Friskrivningsklausul

Uppdateringar av hård mjukvara och/eller hårdvarukomponenter görs regelbundet. Därmed kan vissa anvisningar, specifikationer och bilder i denna dokumentation skilja sig något från din särskilda situation. Alla artiklar beskrivna in denna guide är endast för illustration och kan inte tillämpas på någon speciell situation. Inga juridiska rättigheter eller anspråk kan erhållas från beskrivningen i denna manual.

Bortskaffande av gammal enhet



Denna symbol anger att den relevanta elektriska produkten eller batteriet ska inte kasseras i det allmänna hushållsavfallet i Europa. När den korrekta avfallsbehandlingen för produkten och batteriet ska säkerställas, ska elektrisk utrustning eller batterier kasseras i enlighet med varje krav på tillämplig lokal lagstiftning. Genom detta handlande, bidrar du till att återvinna naturresurser och förbättra normer för miljöskydd och kassering av elektrisk avfall (elektrisk och elektronisk utrustning).

FÖRSÄKRAN OM ÖVERENSSTÄMMELSE

Härmed intygar Commaxx att radioutrustningen av typen [Lenco TT-116] överensstämmer med direktiv 2014/53/EU.

Den fullständiga texten gällande EU-försäkran om överensstämmelse finns på följande internetadress:
https://commaxx-certificates.com/doc/tt-116_doc.pdf

RF-typ	Frekvensområde (MHz)	Effekt (dBm)
Bluetooth	2 402–2 480	< 6



WARNING: För att förhindra eventuella hörselskador ska du inte lyssna på hög volym under långa perioder.

Service

Besök support.lenco.com för mer information och support

Commaxx B.V. Wiebachstraat 37, 6466 NG Kerkrade, The Netherlands.

CUIDADO:

O uso de controlos ou ajustamentos ou a execução de procedimentos para além dos aqui mencionados podem resultar numa exposição perigosa a radiação.

PRECAUÇÕES ANTES DE USAR

TER ESTAS INSTRUÇÕES PRESENTES:

1. Não cobrir ou bloquear nenhuma das aberturas de ventilação. Quando colocar o dispositivo numa prateleira, deixar pelo menos 5 cm (2") de espaço livre à volta de todo o dispositivo.
2. Instalar conforme o manual do utilizador fornecido.
3. Manter o dispositivo afastado de fontes de calor, tais como radiadores, aquecedores, fogões, velas e outros produtos geradores de calor ou de chamas vivas. O dispositivo apenas pode ser utilizado em climas moderados. Ambientes extremamente frios ou quentes devem ser evitados. A temperatura de funcionamento é entre 0 e 35 °C.
4. Evitar usar o dispositivo perto de campos magnéticos fortes.
5. A descarga eletrostática pode perturbar o uso normal deste dispositivo. Nesse caso, basta iniciar o dispositivo seguindo as instruções no manual. Durante a transmissão de ficheiro, deve manusear com cuidado e utilizar num ambiente sem estática.
6. Advertência! Nunca introduzir um objeto no produto através dos orifícios ou aberturas. Passa pelo produto alta voltagem e a inserção de um objeto pode causar choque elétrico e/ou peças internas em curto-circuito. Pela mesma razão, não salpicar água ou líquidos sobre o produto.
7. Não use em zonas molhadas ou húmidas, como casas de banho, cozinhas com vapor ou perto de piscinas.
8. O dispositivo não deve ser exposto a pingos ou salpicos de água e assegurar que nenhuns objetos com líquidos, tais como jarras, são colocados por cima do aparelho.
9. Não usar este dispositivo quando puder ocorrer condensação. Quando a unidade é utilizada num espaço quente com humidade, podem ocorrer gotículas de água ou condensação no interior da unidade e esta poderá não funcionar corretamente; DESLIGUE a unidade durante 1 ou 2 horas antes de ligar a alimentação: a unidade deve estar seca antes de receber alimentação elétrica.
10. Embora este dispositivo seja fabricado com o máximo cuidado e verificado várias vezes antes de sair da fábrica, ainda é possível que ocorram problemas, como acontece com todos os aparelhos elétricos. Se notar fumo, uma acumulação excessiva de calor ou de quaisquer outros fenómenos inesperados, deve desligar imediatamente a ficha da tomada de corrente elétrica.
11. Este dispositivo deve funcionar numa fonte de alimentação como especificado na etiqueta de especificações. Se não tem a certeza do tipo de fonte de alimentação usada na sua casa, consultar o seu distribuidor ou a empresa de eletricidade local.
12. Manter afastado de animais. Alguns animais gostam de morder os cabos de alimentação.
13. Para limpar o dispositivo, usar um pano seco e macio. Não usar solventes ou fluidos à base de gasolina. Para remover manchas difíceis, pode usar um pano húmido com detergente diluído.
14. O fornecedor não é responsável por danos ou perda de dados causados por mau funcionamento, uso incorreto, modificação do dispositivo ou substituição da bateria.
15. Não interromper a ligação quando o dispositivo estiver a formatar ou a transferir ficheiros. Caso contrário, os dados podem ficar corrompidos ou perdidos.
16. Se a unidade tiver a função de reproduzir USB, a unidade de memória USB deve ser ligada diretamente na unidade. Não usar um cabo de extensão USB porque pode provocar interferências resultando em falha nos dados.
17. A etiqueta de classificação foi marcada na parte inferior ou no painel traseiro do dispositivo.
18. Este dispositivo não foi concebido para ser utilizado por pessoas (incluindo crianças) com capacidades físicas, sensoriais ou mentais reduzidas, ou com falta de experiência e conhecimentos, exceto se estiverem sob supervisão ou receberem instruções sobre a utilização correta do dispositivo por uma pessoa responsável pela segurança deles.
19. Este produto é destinado apenas para uso não profissional e não para uso comercial ou industrial.
20. Assegurar que a unidade está ajustada a uma posição estável. Os danos causados pela utilização deste produto numa posição instável, por vibrações ou choques, ou pelo não seguimento de qualquer aviso ou precaução contida neste manual do utilizador não estarão cobertos pela garantia.
21. Nunca retirar o invólucro deste dispositivo.

22. Nunca colocar este dispositivo sobre outro equipamento elétrico.
23. Não permitir que as crianças acedam aos sacos de plástico.
24. Usar apenas extensões/acessórios especificados pelo fabricante.
25. As reparações devem ser entregues a pessoal qualificado. A assistência técnica é necessária se o dispositivo tiver sido danificado de alguma forma, como o cabo de alimentação ou a ficha, se tiver sido derramado líquido ou se tiverem caído objetos para dentro do dispositivo, se o dispositivo tiver sido exposto à chuva ou à humidade, se não funcionar normalmente ou se tiver caído.
26. A exposição prolongada a sons altos de leitores de música pessoais pode levar à perda auditiva temporária ou permanente.
27. Se o produto for entregue com um cabo de alimentação ou um adaptador de alimentação de CA:
 - Se ocorrer qualquer problema, desligue o cabo de alimentação de CA e solicite uma manutenção por pessoal qualificado.
 - Não pisar ou pressionar o adaptador de alimentação. Ter muito cuidado, particularmente junto às fichas e pontos de saída do cabo. Não colocar itens pesados sobre o adaptador de alimentação, o que pode danificá-lo. Manter todo o dispositivo fora do alcance das crianças! Ao brincarem com o cabo de alimentação, podem ferir-se gravemente.
 - Retirar a ficha deste dispositivo durante trovoadas ou quando não for utilizado durante um longo período.
 - A tomada deve estar instalada perto do equipamento e deve ser facilmente acedida.
 - Não sobrecarregar as tomadas cc ou os cabos de extensão. A sobrecarga pode provocar incêndio ou choque elétrico.
 - Os dispositivos com construção classe 1 devem ser ligados a uma tomada elétrica com uma ligação à terra de proteção.
 - Os dispositivos com construção classe 2 não necessitam de uma ligação à terra.
 - Segurar sempre a ficha quando a retirar da tomada de corrente elétrica. Não puxar o cabo de alimentação. Isto pode provocar um curto-circuito.
 - Não utilizar um cabo de alimentação ou uma ficha com danos nem uma tomada elétrica solta. Fazer isso pode resultar em incêndio ou choque elétrico.
28. Se o produto contém ou for entregue com um telecomando com pilhas de relógio:

Advertência:

 - “Não ingerir a pilha, Perigo de queimadura química” ou equivalente.
 - [O telecomando fornecido com] Este produto contém uma pilha de célula tipo botão. Se a pilha for engolida, pode provocar queimaduras internas graves em apenas 2 horas e pode levar à morte.
 - Mantenha as pilhas novas e usadas fora do alcance das crianças.
 - Se o compartimento da pilha não fechar em segurança, pare de utilizar o produto e mantenha-o fora do alcance das crianças.
 - Se suspeitar de ingestão ou introdução de pilhas em qualquer parte do corpo, procure imediatamente ajuda médica.
29. Advertências sobre a utilização de pilhas:
 - Existe perigo de explosão se a pilha for substituída incorretamente. Substitua-a apenas pelo mesmo tipo ou outro equivalente.
 - A pilha não deve ser sujeita a temperaturas extremamente altas ou baixas, baixa pressão do ar a uma grande altitude durante a utilização, armazenamento ou transporte.
 - A substituição de uma pilha por um tipo incorreta que possa resultar em explosão ou fuga do líquido ou gás inflamável.
 - Eliminação de uma pilha no fogo ou forno quente, ou esmagamento ou corte mecânicos de uma pilha, que podem resultar em explosão.
 - Abandonar uma pilha num ambiente com uma temperatura extremamente elevada, que possa resultar em explosão ou fuga do líquido ou gás inflamável.
 - Uma pilha sujeita a pressão de ar extremamente baixa, que possa resultar em explosão ou fuga do líquido ou gás inflamável.
 - Deve ser dada a maior atenção aos aspetos ambientais da eliminação da bateria.

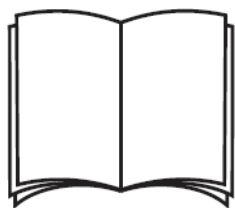
INSTALAÇÃO

- Desembalar todas as peças e retirar o material de proteção.

- Não ligar o aparelho à eletricidade antes de verificar a tensão elétrica e antes de serem efetuadas outras ligações.

Acessórios incluídos:

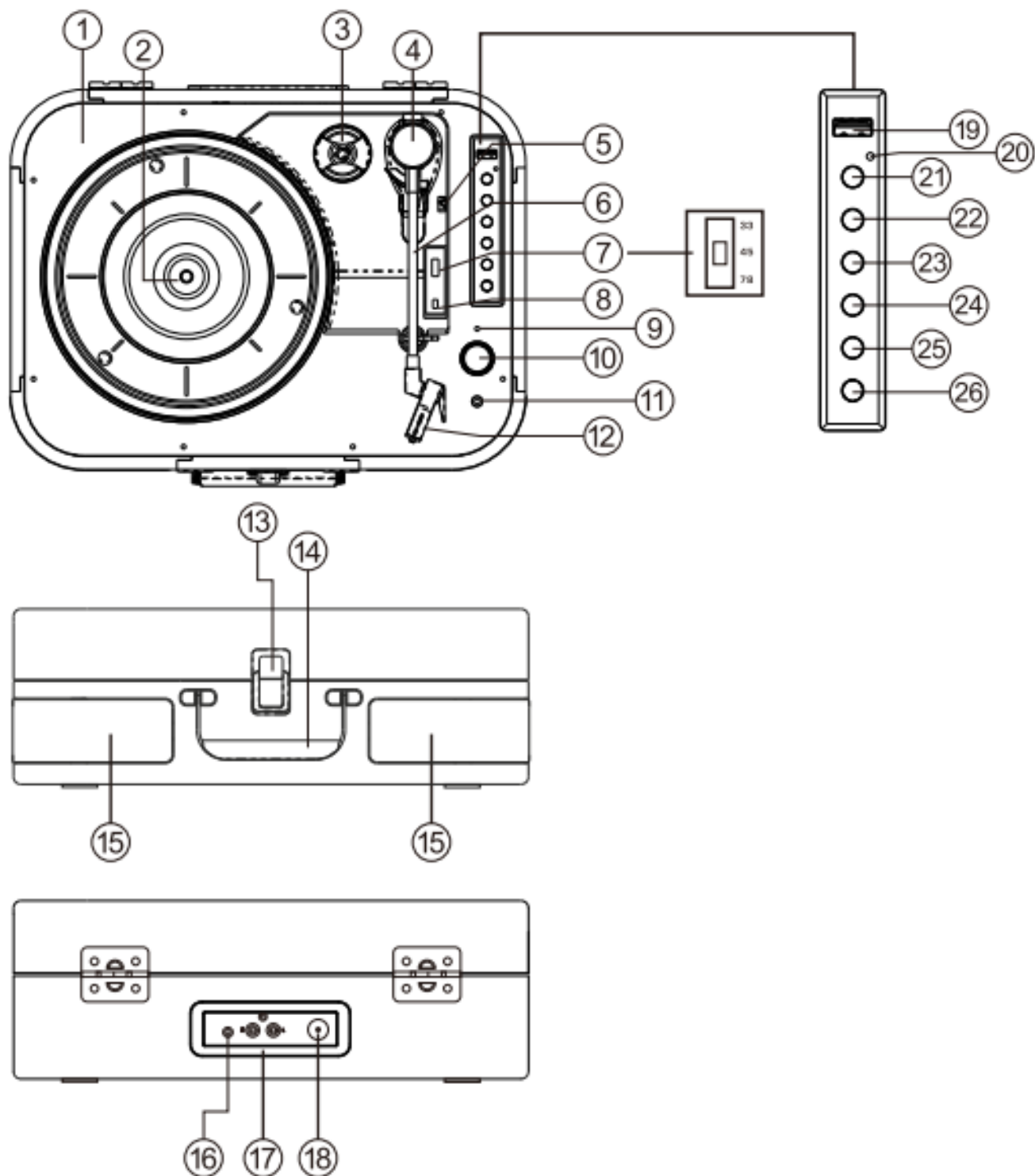
Manual do utilizador



Adaptador de alimentação



Localização dos controlos



1. Plataforma do gira-discos
2. Eixo do gira-discos

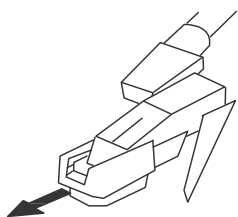
3. Adaptador do orifício central
4. Braço de leitura
5. Alavanca de comando
6. Clipe do braço de leitura
7. Seletor de velocidade do gira-discos
8. Interruptor de controlo de paragem automática
9. Indicador de estado LED
10. Interruptor de alimentação/controlo de volume
11. Tomada para auscultadores
12. Agulha
13. Fecho de segurança
14. Pega de transporte
15. Coluna
16. Tomada de entrada auxiliar
17. Canal de saída de linha D/E
18. Tomada de entrada CC
19. Ranhura USB
20. LED de função
21. Gravação
22. Faixa anterior
23. Faixa seguinte
24. Reproduzir/pausar
25. Modo
26. Emparelhar

Modo

1. Prima rapidamente “Modo” para selecionar o modo de reprodução.
2. O LED azul fica intermitente quando o Bluetooth está a ser emparelhado.
3. O LED azul acende-se quando o Bluetooth é ligado.
4. O LED vermelho acende-se quando está no modo de gira-discos/modo de entrada auxiliar.
5. O LED verde acende-se quando está no modo USB.

Utilizar o gira-discos

1. Coloque a caixa do gira-discos numa superfície plana e nivelada.
2. Insira o cabo do adaptador na tomada CC na parte de trás da caixa e ligue o adaptador à tomada de alimentação elétrica.
3. Na primeira utilização, certifique-se de que a braçadeira do cabo é retirada do braço do leitor.
4. Retire a tampa da agulha e guarde-a num local seguro para utilização futura.



5. Coloque o seletor de velocidade na velocidade (33, 45 ou 78 rpm) correspondente ao disco a ser reproduzido.
6. Rode o botão "Volume" para ligar o gira-discos e o indicador de modo acende-se a vermelho.
7. Coloque um disco no eixo do gira-discos e solte o braço de leitura.
8. Utilize a alavanca de comando para levantar o braço de leitura e mova o braço de modo a que a agulha fique posicionada no interior da margem do disco ou alinhada com o início da faixa a ser reproduzida.
9. Baixe lentamente o braço e, após um curto intervalo, o disco começará a tocar.
10. Ajuste o volume para o nível desejado, rodando o botão de controlo do volume.
11. Quando chegar ao fim do disco, o gira-discos pára.
12. Utilize novamente a alavanca para levantar o braço de leitura (o prato começará a girar novamente), mova-o de volta para o clipe e baixe-o para o suporte. O prato irá parar.
13. Fixe o braço de leitura com o clipe e volte a colocar a tampa da agulha após a utilização e sempre antes de movimentar o gira-discos.
14. Para desligar o gira-discos em qualquer altura, levante o braço de leitura do disco e rode o botão de volume totalmente no sentido contrário ao dos ponteiros do relógio.

Nota

Alguns discos têm um orifício central maior e pode ser necessário encaixar o adaptador do orifício central no eixo do gira-discos antes de colocar o disco no gira-discos. Volte sempre a colocar a tampa da agulha e fixe o braço do gira-discos com o clipe antes de mover o gira-discos.

Utilizar com o dispositivo auxiliar

1. O equipamento áudio analógico auxiliar pode ser ligado e amplificado através do gira-discos.
2. Ligue o equipamento auxiliar utilizando um cabo de 3,5 mm (cabo não incluído) à tomada de entrada auxiliar.
3. Prima o botão de reprodução no equipamento auxiliar e utilize os controlos de faixa como habitualmente no dispositivo auxiliar.
4. O volume pode ser ajustado utilizando o botão de volume no gira-discos ou os controlos no dispositivo auxiliar ligado.
5. Para desligar a unidade em qualquer altura, rode o botão de volume totalmente no sentido contrário ao dos ponteiros do relógio.

Utilizar auscultadores (não incluídos)

É fornecida uma tomada para auscultadores estéreo para que o gira-discos possa ser utilizado sem incomodar terceiros.

Ligue os auscultadores no ponto assinalado com “auscultador” junto ao botão de volume e ajuste o volume de audição para o nível pretendido. A pressão sonora excessiva dos auriculares e auscultadores pode provocar a perda de audição. Os altifalantes do gira-discos não funcionam quando os auscultadores estão colocados.

Ligar o gira-discos a um altifalante externo

Para ligar o gira-discos a altifalantes externos (através de um amplificador adequado), utilize um cabo fono duplo para fono duplo (não incluído) para ligar as tomadas de saída RCA à entrada de áudio do amplificador. Certifique-se de que as fichas vermelhas estão inseridas nas tomadas vermelhas e as brancas nas brancas.

Utilizar com um dispositivo Bluetooth

Verifique se o seu gira-discos está no modo Bluetooth. Se ainda não estiver no modo Bluetooth, prima rapidamente o botão “Modo” até entrar no modo Bluetooth (o LED azul acende-se). Começará a procurar dispositivos Bluetooth (o LED azul pisca durante o emparelhamento).

No modo Bluetooth:

1. O seu dispositivo irá procurar dispositivos Bluetooth.
2. No dispositivo (por exemplo, iPhone/iPad/Android/outro telemóvel/Tablet/Computador), ligue a conectividade Bluetooth e certifique-se de que está “detetável”.

Nota: Se necessário, consulte as instruções do seu dispositivo para adicionar ou configurar o Bluetooth.

3. Selecione “Add new device” (Adicionar novo dispositivo), se necessário.

Nota: Alguns produtos procuram automaticamente um novo dispositivo, pelo que a opção “Add new device” (Adicionar novo dispositivo) não está disponível.

4. Quando encontrado, o seu dispositivo será apresentado como “Lenco TT-116”. Selecione e inicie o emparelhamento.
5. Quando o emparelhamento estiver concluído, será apresentado “Bluetooth Connected” (Bluetooth ligado).
6. Agora que emparelhou o seu dispositivo com o gira-discos, este ligar-se-á ao mesmo quando estiver dentro do alcance, que é de cerca de 10 metros ou menos, linha de visão.
7. O seu dispositivo permanecerá emparelhado com o gira-discos, a menos que decida desligá-lo ou “desemparelhar”.
8. Pode premir rapidamente “Emparelhar” para voltar a ligar.

Reprodução de Bluetooth

1. Prima “Anterior” para a faixa anterior do seu dispositivo Bluetooth.
2. Prima “Seguinte” para a faixa seguinte do seu dispositivo Bluetooth.
3. Prima “Reproduzir/pausar” para reproduzir ou colocar em pausa o seu dispositivo Bluetooth.

“Este produto tem uma função de **recepção** bluetooth, **não é possível transmitir qualquer som bluetooth com o mesmo**: isto significa que pode receber sem fios um sinal de som bluetooth de uma fonte externa como um smartphone.”

Utilizar com reprodução por USB

1. Ligue a memória USB ou o leitor de MP3 à porta USB.

2. O leitor será reproduzido automaticamente.

Utilizar com codificação por USB

Pode gravar um disco de vinil, Bluetooth e Mp3 em entrada auxiliar para uma memória USB.

1. Ligue a memória USB à porta USB.
2. Prima "Modo" para selecionar o Bluetooth, o gira-discos ou o Aux que pretende gravar no USB.
3. Prima "GRAV", o LED fica intermitente. E está a gravar.
4. Para parar a gravação, premir novamente "GRAV".

COMO SUBSTITUIR A AGULHA

Para substituir a agulha, consulte as instruções abaixo.

Retire a agulha do cartucho.

1. Coloque uma chave de fendas na ponta do estilete e empurre para baixo, como indicado na direção "A".
2. Retire o estilete puxando-o para a frente e empurrando-o para baixo.

Instalar o estilete

1. Segure a ponta do estilete e insira a estilete pressionando-o como indicado na direção "B".
2. Empurre o estilete para cima, como na direção "C", até que fique bloqueado na posição da ponta.



Pinos de guia (interior)



Pinos de guia (interior)

NOTAS

Aconselhamo-lo a limpar os seus discos com um pano anti-estático para tirar o máximo partido dos mesmos. Gostaríamos também de salientar que, pela mesma razão, o seu estilete deve ser substituído periodicamente (aproximadamente a cada 250 horas de reprodução).

DICAS PARA UM MELHOR DESEMPENHO DO GIRA-DISCOS

1. Ao abrir ou fechar a tampa do gira-discos, manuseie-a com cuidado, segurando-a no centro ou de cada lado.
2. Não toque na ponta da agulha com os dedos; evite bater com a agulha no prato do gira-discos ou na borda do disco.

3. Limpe frequentemente a ponta da agulha - utilize uma escova macia num movimento “de trás para a frente” apenas.
4. Se for necessário utilizar um líquido de limpeza de agulhas, utilize-o com muita moderação.
5. Limpe suavemente a caixa do gira-discos com um pano macio. Utilize apenas uma pequena quantidade de detergente suave para limpar o gira-discos.
6. Nunca aplique produtos químicos ou solventes agressivos em qualquer parte do sistema do gira-discos.

ESPECIFICAÇÕES

Tipo	Correia de transmissão
Motor	Motor CC
velocidade	33 1/3 rpm, 45 rpm, 78 rpm
uau e vibração	<0,35%
prato do gira-discos	200 mm
cartucho	
Tipo	cartucho cerâmico
Agulha	0,7 mil
força de rastreo ótima	6 gram
saída	300-500 mv
resposta de frequência	,+/-20dB
diafonia	10 db
rácio sinal/ruído (S/N)	18 db
Geral	
Adaptador	Entrada CA 100-240 V, 50/60 Hz, 0,3 A máx.
	Saída 5 V CC 1A
produto	5 V CC 1A
saída de áudio (saída de linha)	300-500 mv
consumo de energia	5 W

Adaptador de alimentação. Saída 5 V CC 1A
Entrada CA 100-240 V, 50/60 Hz, 0,3 A máx.

Nome de emparelhamento Bluetooth: Lenco TT-116

Ficha de auscultador: 3,5 mm
Temperatura de funcionamento: 0 °C-40 °C
Temperatura de armazenamento: -20 °C-70 °C

Devido a melhorias contínuas, as funcionalidades e o design estão sujeitos a alterações sem aviso prévio.

Adaptador de alimentação elétrica.

Utilize apenas a fonte de alimentação indicada nas instruções de utilização.

Informações	Valor e precisão
Nome ou marca do fabricante, registo comercial e endereço	DongGuan Obelieve Electronic Co., Ltd Huazhaoxin Industrial park B-4/F, Golden phoenix industrial zone, Fenggan town, Dongguan city, Guangdong province, China
Identificador do modelo	OBL-0501000E / OBL-0501000B
Tensão de entrada	100-240 V
Frequência de entrada CA	50/60 Hz
Tensão de saída	5 V
Corrente de saída	1 A
Potência de saída	5 W
Eficiência ativa média	73,62
Consumo de energia sem carga	≤ 0,10

Garantia

A Commaxx B.V. oferece serviços e garantia de acordo com a lei europeia, o que significa que, em caso de reparações (durante e após o período da garantia) deve contactar o seu fornecedor local.

Nota importante: Não é possível enviar diretamente para a Commaxx B.V. produtos que precisem de reparação.

Nota importante: Se esta unidade for aberta ou acedida de qualquer forma por um centro de assistência não oficial, a garantia expira.

Este dispositivo não é destinado para uso profissional. Em caso de uso profissional, todas as obrigações do fabricante serão nulas.

Declinação de responsabilidade

São feitas regularmente atualizações do Firmware e/ou componentes do hardware. Portanto, algumas das instruções, especificações e imagens nesta documentação podem diferir ligeiramente da sua situação particular. Todos os itens descritos neste guia apenas para fins ilustrativos e podem não se aplicar a situações específicas. Nenhum direito legal ou prerrogativas podem ser obtidos a partir da descrição feita neste manual.

Eliminação do dispositivo usado



Este símbolo indica que o produto elétrico ou bateria relevante não deve ser eliminado como lixo doméstico geral na Europa. Para garantir o tratamento correto do produto e da bateria, eliminá-los de acordo com as leis locais aplicáveis de eliminação de equipamentos elétricos ou baterias. Ao fazer isso, ajudará a conservar os recursos naturais e a melhorar os padrões de proteção ambiental no tratamento e eliminação de resíduos elétricos (Diretiva de Resíduos de Equipamentos Elétricos e Eletrônicos).

DECLARAÇÃO DE CONFORMIDADE

Pelo presente, a Commaxx declara que o tipo de equipamento de rádio [Lenco TT-116] está em conformidade com a Diretiva 2014/53/UE.

O texto completo da declaração de conformidade da UE está disponível no seguinte endereço de Internet:
https://commaxx-certificates.com/doc/tt-116_doc.pdf

Tipo de RF	Gama de frequências (MHz)	Potência (dBm)
Bluetooth	2402-2480	<6



ADVERTÊNCIA: Para evitar possíveis danos auditivos, não ouça em níveis de volume elevados durante longos períodos de tempo.

Assistência

Para mais informações e suporte técnico visite support.lenco.com

Commaxx B.V. Wiebachstraat 37, 6466 NG Kerkrade, The Netherlands.