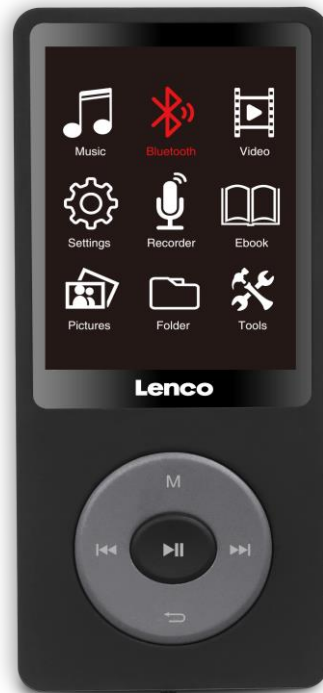


# Lenco

**Model: Xemio-860**



**User manual - MP3/MP4 Player with Bluetooth and 8GB memory**  
**Handleiding - MP3/MP4 Speler met Bluetooth en 8GB geheugen**  
**Bedienungsanleitung - MP3/MP4-Player mit Bluetooth und 8 GB Speicher**  
**Guide d'utilisation - Lecteur MP3/MP4 avec Bluetooth et 8 Go de mémoire**  
**Manual de usuario - Reproductor MP3/MP4 con Bluetooth y 8 GB de memoria**  
**Brugervejledning - MP3/MP4-afspiller med Bluetooth og 8 GB hukommelse**  
**Bruksanvisning - MP3/MP4-mediaspelare med Bluetooth och 8 GB minne**

Index

<b>English</b> .....	<b>1</b>
<b>Nederlands</b> .....	<b>10</b>
<b>Deutsch</b> .....	<b>20</b>
<b>Français</b> .....	<b>30</b>
<b>Español</b> .....	<b>40</b>
<b>Dansk/Norsk</b> .....	<b>50</b>
<b>Svenska</b> .....	<b>59</b>

**CAUTION:**

Usage of controls or adjustments or performance of procedures other than those specified herein may result in hazardous radiation exposure.

**PRECAUTIONS BEFORE USE**

---

**KEEP THESE INSTRUCTIONS IN MIND:**

1. Do not cover or block any ventilation openings. When placing the device on a shelf, leave 5 cm (2") free space around the whole device.
2. Install in accordance with the supplied user manual.
3. Keep the device away from heat sources such as radiators, heaters, stoves, candles and other heat-generating products or naked flame. The device can only be used in moderate climates. Extremely cold or warm environments should be avoided. Working temperature between -5° to 55° C.
4. Avoid using the device near strong magnetic fields.
5. Electrostatic discharge can disturb normal usage of this device. If so, simply reset and restart the device following the instruction manual. During file transmission, please handle with care and operate in a static-free environment.
6. Warning! Never insert an object into the product through the vents or openings. High voltage flows through the product and inserting an object can cause electric shock and/or short circuit internal parts. For the same reason, do not spill water or liquid on the product.
7. Do not use in wet or moist areas such as bathrooms, steamy kitchens or near swimming pools.
8. The device shall not be exposed to dripping or splashing and make sure that no objects filled with liquids, such as vases, are placed on or near the apparatus.
9. Do not use this device when condensation may occur. When the unit is used in a warm wet room with damp, water droplets or condensation may occur inside the unit and the unit may not function properly; let the unit stand in power OFF for 1 or 2 hours before turning on the power: the unit should be dry before getting any power.
10. Although this device is manufactured with the utmost care and checked several times before leaving the factory, it is still possible that problems may occur, as with all electrical appliances. If you notice smoke, an excessive build-up of heat or any other unexpected phenomena, you should disconnect the plug from the main power socket immediately.
11. This device must operate on a power source as specified on the specification label. If you are not sure of the type of power supply used in your home, consult your dealer or local power company.
12. Keep away from animals. Some animals enjoy biting on power cords.
13. To clean the device, use a soft dry cloth. Do not use solvents or petrol based fluids. To remove severe stains, you may use a damp cloth with dilute detergent.
14. The supplier is not responsible for damage or lost data caused by malfunction, misuse, modification of the device or battery replacement.
15. Do not interrupt the connection when the device is formatting or transferring files. Otherwise, data may be corrupted or lost.

16. If the unit has USB playback function, the USB memory stick should be plugged into the unit directly. Don't use an USB extension cable because it can cause interference resulting in failing of data.
17. The rating label has been marked on the bottom or back panel of the device.
18. This device is not intended for use by people (including children) with physical, sensory or mental disabilities, or a lack of experience and knowledge, unless they're under supervision or have received instructions about the correct use of the device by the person who is responsible for their safety.
19. This product is intended for non professional use only and not for commercial or industrial use.
20. Make sure the unit is adjusted to a stable position. Damage caused by using this product in an unstable position vibrations or shocks or by failure to follow any other warning or precaution contained within this user manual will not be covered by warranty.
21. Never remove the casing of this device.
22. Never place this device on other electrical equipment.
23. Do not allow children access to plastic bags.
24. Only use attachments/accessories specified by the manufacturer.
25. Refer all servicing to qualified service personnel. Servicing is required when the device has been damaged in any way, such as the power supply cord or the plug, when liquid has been spilled or objects have fallen into the device, when the device has been exposed to rain or moisture, does not operate normally, or has been dropped.
26. Long exposure to loud sounds from personal music players may lead to temporary or permanent hearing loss.
27. If the product is delivered with power cable or AC power adaptor:
  - If any trouble occur, disconnect the AC power cord and refer servicing to qualified personnel.
  - Don't step on or pinch the power adaptor. Be very careful, particularly near the plugs and the cable's exit point. Do not place heavy items on the power adaptor, which may damage it. Keep the entire device out of children's reach! When playing with the power cable, they can seriously injure themselves.
  - Unplug this device during lightning storms or when unused for a long period.
  - The socket outlet must be installed near the equipment and must be easily accessible.
  - Do not overload ac outlets or extension cords. Overloading can cause fire or electric shock.
  - Devices with class 1 construction should be connected to a main socket outlet with a protective earthed connection.
  - Devices with class 2 construction do not require a earthed connection.
  - Always hold the plug when pulling it out of the main supply socket. Do not pull the power cord. This can cause a short circuit.
  - Do not use a damaged power cord or plug or a loose outlet. Doing so may result in fire or electric shock.
28. If the product contains or is delivered with a remote control containing coin/cell batteries:

Warning:

  - "Do not ingest battery, Chemical Burn Hazard" or equivalent working.
  - [The remote control supplied with] This product contains a coin/button cell battery. If the battery is swallowed, it can cause severe internal burns in just 2 hours and can lead to death.
  - Keep new and used batteries away from children.

- If the battery compartment does not close securely, stop using the product and keep it away from children.
- If you think batteries might have been swallowed or placed inside any part of the body, seek immediate medical attention.

29. Caution about the use of Batteries:

- Danger of explosion if battery is incorrectly replaced. Replace only with the same or equivalent type.
- Battery cannot be subjected to high or low extreme temperatures, low air pressure at high altitude during use, storage or transportation.
- Replacement of a battery with an incorrect type that can result in an explosion or the leakage of flammable liquid or gas.
- Disposal of a battery into fire or a hot oven, or mechanically crushing or cutting of a battery, that can result in an explosion.
- Leaving a battery in an extremely high temperature surrounding environment that can result in an explosion or that leakage of flammable liquid or gas.
- A battery subjected to extremely low air pressure that may result in an explosion or the leakage of flammable liquid or gas.
- Attention should be drawn to the environmental aspects of battery disposal.

## INSTALLATION

- Unpack all parts and remove protective material.
- Do not connect the unit to the mains before checking the mains voltage and before all other connections have been made.

## Intended Use

This device is used to play music files in MP3, WMA, WAV, APE and FLAC formats, as well as video files in AVI format with resolution in 240\*320, and photo files in JPG, GIF, BMP format.

This product is not intended for commercial uses or for medical and special applications in which the failure of the product can cause injury, death or substantial property damage.

The liability shall expire in the event of use that does not conform to the intended use.

Opening and altering the device as well as using additional equipment and accessories that have not been approved by us is prohibited.

Do not use the device under extreme environmental conditions and observe the safety instructions. Non-compliance with information and safety instructions contained in this manual shall be deemed as noncompliance with the intended use and will cause the liability to lapse and may cause injury or property damage.

## Downloading the User's Manual

- To help saving the environment, the detailed User's Manual is stored in the folder named "UTILITIES > User Manual" in the built-in memory. To open it you need to download it onto your computer. It also can be downloaded from our website via [www.lenco.com/...downloads](http://www.lenco.com/...downloads).

**Note:** To open the user manual, your computer needs to have a pdf reader installed. You can download a pdf reader for free on <http://get.adobe.com/reader/>

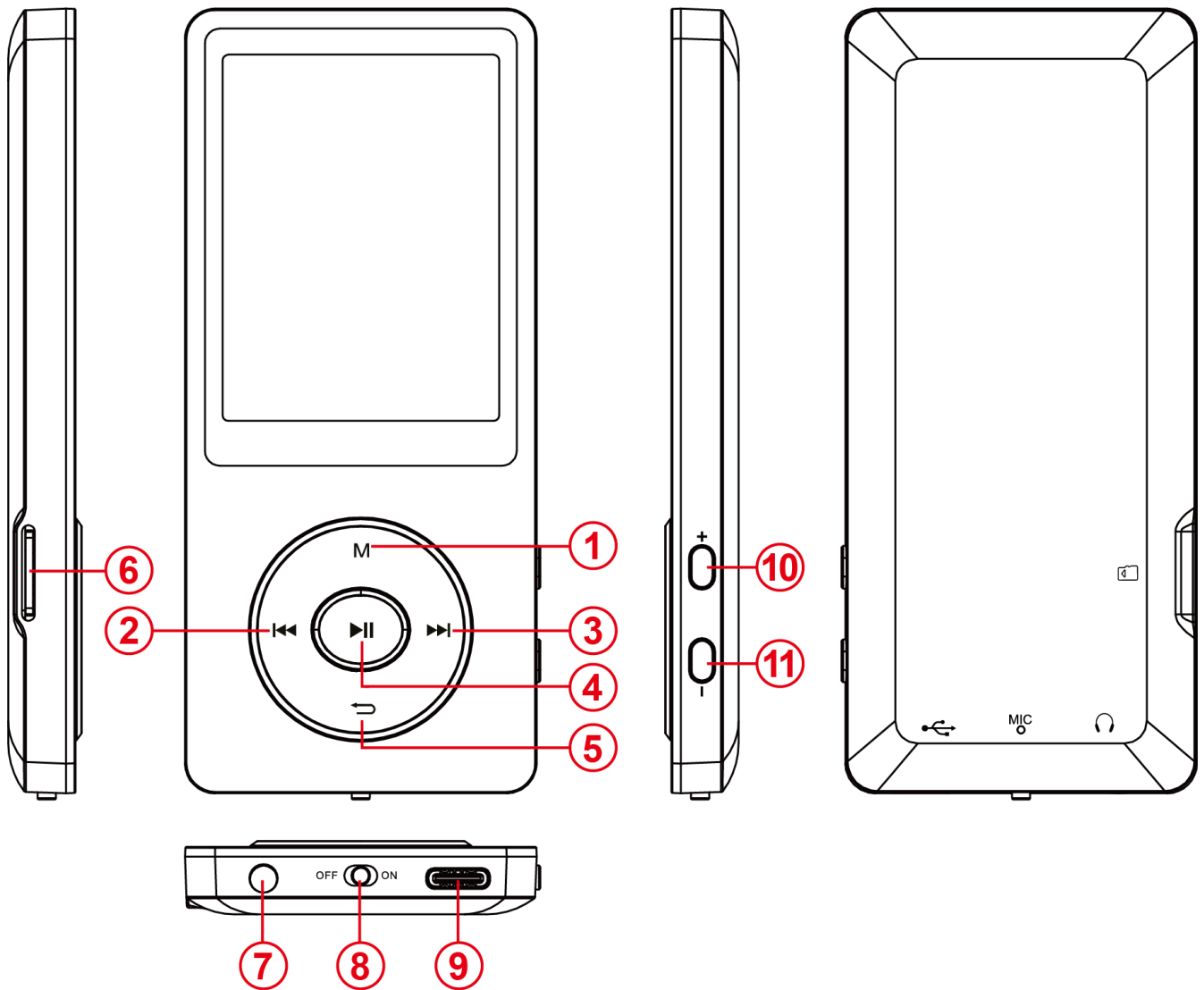


**WARNING:** When participating in the traffic listening to a personal music player can make the listener less aware of potential dangers such as approaching cars.



**WARNING:** To prevent possible hearing damage, do not listen at high volume levels for long periods.

## 1. Device overview



<b>(1) Menu</b>	Short press to enter the sub-menus
<b>(2) Last</b>	Short Press: Last track; Long Press: Fast rewind
<b>(3) Next</b>	Short Press: Next track; Long Press: Fast forward
<b>(4) Play/Pause</b>	Short press: Play/Pause the music; Long press: Power on/off the player
<b>(5) Return</b>	Short press and go back to previous menu or interface
<b>(6) Card Slot</b>	Micro SD card (or TF card) supported
<b>(7) Earphone Jack</b>	φ3.5mm socket for headphone connection
<b>(8) ON/OFF</b>	Slide it to switch on/off the player
<b>(9) USB Port</b>	USB TYPE-C for recharging & data transferring
<b>(10) Vol +</b>	Short press for VOL up; Long press for fast VOL increasing
<b>(11) Vol -</b>	Short press for VOL down; Long press for fast VOL decreasing

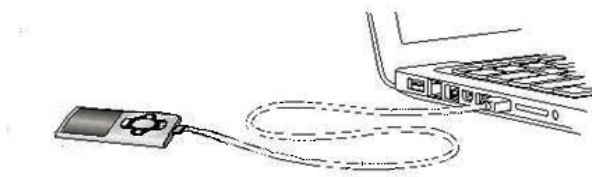
## 2. Package content

Please check the package content for completeness

- Bluetooth MP4 Player
- Stereo headphones
- USB cable
- User manual

## 3. Connecting to a computer

In order to exchange files between your player and a computer, you can simply connect your player to the computer using the provided USB cable.



### a) Connecting the device

In order to connect the player to the computer, insert the USB cable with a free USB port of the activated computer and connect the USB port of the cable with the player. It is now recognized as removable medium and is ready for data transfer with the computer.

Now you can simply transfer the files from your computer to your player or vice versa using “Drag and Drop” or by “Copy and Paste”.

### b) Disconnecting the device

Before removing the USB cable, you must make sure that the data connection between the devices is separated!

To do that, press the **M** button for 1 - 2 seconds. The display now shows the current charging level, and the data connection was separated.

If you are using a Windows PC, the player can also be disconnected via the computer. To do that, click on the “Remove hardware safely” symbol in the Windows taskbar. Now select the MP4 Player and follow your computer’s instructions, until it confirms the successful process.

If you are using a Mac, you can simply disconnect the player by dragging the player icon onto the trash symbol.

The USB cable can now be separated safely from the player and computer.

**Note:** Do not remove the player from the computer if the transfer of files between the devices is not finished. This can result in data loss and damage the medium.





**WARNING:** Prolonged exposure to excessively loud music can result in temporary or permanent hearing damage or hearing loss. The use of the Video player in traffic is not recommended. It can cause the listener to react disregarding towards potential hazards such as approaching vehicles.

## 4. Operation

### A). General operation

#### (1) Switching the player on and off

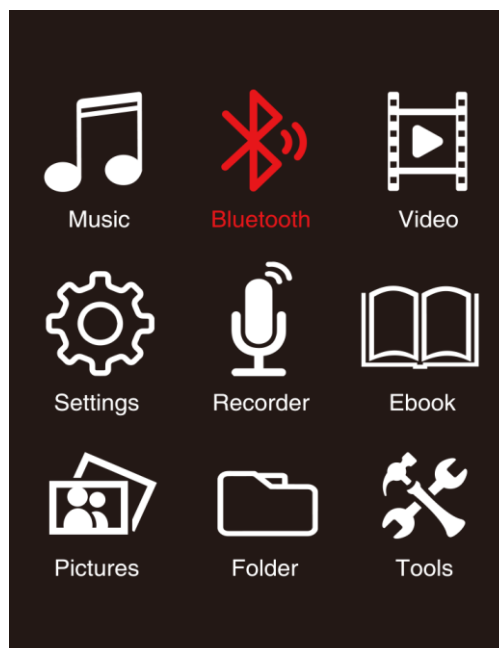
Push the ON / OFF button on the bottom of the device to switch on / off the player.

If the Switch button is already on the position of ON, then press and hold the ►|| button for 2-3s.

#### (2) The main menu

After activating the player, the main menu appears. It consists of 9 different menu items:

Music, Bluetooth, Video, Settings, Recorder, Ebook, Pictures, Folder and Tools.



#### (3) Navigation

With the ►► or ◀◀ and (M) or (↶) button, you can navigate through the different menus. With

the ►|| button you can open the desired menu item or start the desired function. Press the ↶

Arrow Back button briefly to return to the previous level. Press the ↶ Arrow Back button for 1 - 2 seconds to return to the main menu directly.

## B). Bluetooth

(1) Navigate in the main menu to the menu item 'Bluetooth' and confirm your selection with the ► button. The folder overview opens. Select with the ►► or ◀◀ button the sub-menus and confirm your selection with the ► button.

### (2) Operations

- To enable Bluetooth, select 'Bluetooth Switch Control' and press the ► button to enter, select 'Bluetooth Open' to activate, it will start auto scanning the nearby Bluetooth devices available;
- To manually search Bluetooth device, select 'Search Device' and press the ► button to confirm, the available Bluetooth device will appear on the list, Press the ►► or ◀◀ button to select the device and press the ► button to start pairing.
- When Bluetooth device connected successfully, return to 'Music' menu and start enjoying.
- To unpair the current Bluetooth device, press the ►► or ◀◀ button to select 'Device list', press the ► button to enter and select the paired device, press the ► button again to confirm 'Disconnect' or not.

"This product has a bluetooth **transmission** function, **you can not receive any bluetooth sound on it**: this means that you can transmit wirelessly a bluetooth sound signal to an external device like a bluetooth speaker, bluetooth headphone, audio system with bluetooth reception,..."

This product operates at 2400 - 2483.5 MHz and is designated only to be used inside a normal household environment. This product is suited for this purpose within all EU countries.

## 5. Technical data

Dimensions	104 mm x 47 mm x 10.0mm
Weight	~38gr.
LCD	2.4inch color display, resolution: 240 x 320 Pixel
PC connection	USB 2.0 (PC)   USB TYPE-C port (player)
Battery	Rechargeable Li-Polymer battery, capacity: 300mAh
Bluetooth	Version 5.3, Transmitter (TX)
SNR	>85dB
Music format	MP3 / WMA / WAV / APE / FLAC
Video format	AVI 320 x 240 pixels
Image format	JPG / BMP / GIF
Operating temperature	-5 to 55° Celsius
Operating system	Windows 7 / 8 / 8.1 / 10 / 11 / Mac 10.x or higher

## Guarantee

Commaxx B.V. offers service and warranty in accordance to European law, which means that in case of repairs (both during and after the warranty period) you should contact your local dealer.

Important note: It is not possible to send products that need repairs to Commaxx B.V. directly.

Important note: If this unit is opened or accessed by a non-official service center in any way, the warranty expires.

This device is not suitable for professional use. In case of professional use, all warranty obligations of the manufacturer will be voided.

## Disclaimer

Updates to Firmware and/or hardware components are made regularly. Therefore some of the instruction, specifications and pictures in this documentation may differ slightly from your particular situation. All items described in this guide for illustration purposes only and may not apply to particular situation. No legal right or entitlements may be obtained from the description made in this manual.

## Disposal of the Old Device



This symbol indicates that the relevant electrical product or battery should not be disposed of as general household waste in Europe. To ensure the correct waste treatment of the product and battery, please dispose them in accordance to any applicable local laws of requirement for disposal of electrical equipment or batteries. In so doing, you will help to conserve natural resources and improve standards of environmental protection in treatment and disposal of electrical waste (Waste Electrical and Electronic Equipment Directive).

## DECLARATION OF CONFORMITY

Hereby, Commaxx declares that the radio equipment type [Lenco Xemio-860] is in compliance with directive 2014/53/EU. The full text of the EU declaration of conformity is available at the following internet address:

[https://commaxx-certificates.com/doc/xemio-860\\_doc.pdf](https://commaxx-certificates.com/doc/xemio-860_doc.pdf)

Type RF	Frequency range (MHz)	Power (dBm)
Bluetooth	2402-2480	< 6

## Service

For more information and helpdesk support, please visit [www.lenco.com](http://www.lenco.com)  
Commaxx B.V. Wiebachstraat 37, 6466 NG Kerkrade The Netherlands.

**VOORZICHTIG:**

Het gebruik van bedieningen of afstellingen of het uitvoeren van procedures anders dan hierin gespecificeerd, kan leiden tot blootstelling aan gevaarlijke straling.

**VOORZORGSMAATREGELEN VÓÓR GEBRUIK**

---

**ONTHOUD DEZE INSTRUCTIES:**

1. Bedek of blokkeer geen van de ventilatieopeningen. Als u het apparaat op een rek plaatst, laat 5 cm (2") vrije ruimte rondom het volledige apparaat.
2. Installeer in overeenstemming met de meegeleverde gebruikshandleiding.
3. Houd het apparaat uit de buurt van warmtebronnen zoals radiatoren, kachels, fornuizen, kaarsen en andere warmtegenererende producten of open vuur. Het apparaat kan alleen worden gebruikt in gematigde klimaten. Extreem koude of warme omgevingen dienen te worden vermeden. Werkingstemperatuur tussen -5° tot 55° C.
4. Gebruik het apparaat niet in de buurt van krachtige magnetische velden.
5. Elektrostatische ontlading kan de normale werking van dit apparaat verstoren. Indien dit het geval is, reset dan gewoon het apparaat en start het opnieuw op in navolging van de handleiding. Wees voorzichtig tijdens de bestandsoverdracht en voer dit uit in een omgeving zonder statische interferentie.
6. Waarschuwing! Steek geen voorwerpen in het product via de ventilatie- of andere openingen. Er is hoge spanning aanwezig in het product en als u er een voorwerp insteekt, kan dat tot elektrische schokken en/of kortsluiting van de interne onderdelen leiden. Laat om dezelfde reden geen water of vloeistof op het product terechtkomen.
7. Gebruik het apparaat niet in natte of vochtige ruimtes zoals badkamers, keukens met veel stoom of in de buurt van zwembaden.
8. Stel het apparaat niet bloot druppels of spetters en zorg ervoor dat er geen met vloeistof gevulde voorwerpen, zoals vazen, op of in de buurt van het apparaat worden geplaatst.
9. Gebruik dit apparaat niet als er condensatie kan optreden. Wanneer het apparaat in een warme en vochtige kamer wordt gebruikt, dan kunnen er waterdruppeltjes of condensatie binnenin het apparaat worden gevormd waardoor het apparaat mogelijk niet meer goed werkt; houd een apparaat 1 of 2 uur op UIT staan voordat u de voeding weer inschakelt: het apparaat dient droog te zijn voordat deze stroom ontvangt.
10. Al is dit apparaat met de grootste zorg vervaardigd en meerdere keren gecontroleerd voordat deze de fabriek verlaat, is het toch mogelijk dat er problemen optreden, zoals bij alle elektrische apparaten. Als u rook, overmatige warmteontwikkeling of andere onverwachte verschijnselen constateert, dient u onmiddellijk de stekker uit het stopcontact te trekken.
11. Dit apparaat moet van stroom worden voorzien door een bron zoals gespecificeerd op het nominale specificatielabel. Als u niet zeker weet welk type stroomvoorziening in uw huis wordt gebruikt, neem dan contact op met uw dealer of het plaatselijke energiebedrijf.
12. Houd uit de buurt van dieren. Sommige dieren houden ervan om aan stroomkabels te bijten.
13. Gebruik een zachte, droge doek om het apparaat schoon te maken. Gebruik geen oplosmiddelen of vloeistoffen op benzinebasis. U kunt een vochtige doek met verdund schoonmaakmiddel gebruiken om hardnekkige vlekken te verwijderen.

14. De leverancier is niet verantwoordelijk voor schade of verlies van gegevens veroorzaakt door storing, misbruik, modificatie van het apparaat of vervanging van de batterij.
15. Zorg ervoor de verbinding niet te verbreken terwijl het apparaat bezig is met formatteren of bestandsoverdracht. Gegevens kunnen anders corrupt of verloren raken.
16. Als het apparaat een USB-afspeelfunctie heeft, moet de USB-geheugenstick rechtstreeks in het apparaat worden gestoken. Gebruik geen USB-verlengsnoer, omdat deze interferentie kan veroorzaken waardoor uw gegevens verloren kunnen gaan.
17. Het nominale specificatielabel is te vinden op het onder- of achterpaneel van het apparaat.
18. Dit product is niet bestemd voor gebruik door personen (waaronder kinderen) met verminderde fysieke, zintuiglijke of mentale capaciteiten, of met een tekort aan kennis en ervaring, tenzij een persoon verantwoordelijk voor hun veiligheid toezicht houdt of instructies heeft gegeven voor het correcte gebruik van het apparaat.
19. Dit product is uitsluitend bedoeld voor niet-professioneel gebruik en niet voor commercieel of industrieel gebruik.
20. Zorg ervoor dit apparaat op een stabiele plek te plaatsen. Beschadigingen veroorzaakt door het gebruik van dit apparaat in een onstabiele positie, trillingen of schokken of door het niet opvolgen van andere waarschuwingen of voorzorgsmaatregelen beschreven in deze gebruikshandleiding, worden niet gedekt door de garantie.
21. Verwijder nooit de behuizing van dit apparaat.
22. Plaats dit apparaat nooit op andere elektrische apparatuur.
23. Houd plastic zakken uit de buurt van kinderen.
24. Gebruik alleen uitbreidingen/accessoires gespecificeerd door de fabrikant.
25. Laat alle reparaties over aan bevoegd onderhoudspersoneel. Reparatie is vereist wanneer het apparaat op enigerlei wijze is beschadigd, zoals een beschadigde voedingskabel of stekker, wanneer vloeistof is gemorst of voorwerpen in het apparaat zijn gevallen, wanneer het apparaat is blootgesteld aan regen of vocht, niet normaal functioneert of is gevallen.
26. Langdurige blootstelling aan harde geluiden van persoonlijke muzikspelers kan leiden tot tijdelijk of permanent gehoorverlies.
27. Als het product wordt geleverd met een voedingskabel of AC-stroomadapter:
  - Als er problemen optreden, koppel de AC-voedingskabel dan los en laat reparaties over aan bevoegd personeel.
  - Niet op de stroomadapter gaan staan of deze indrukken. Wees zeer voorzichtig, vooral in de buurt van de stekkers en waar de kabel uit het apparaat komt. Plaats geen zware voorwerpen op de stroomadapter, om beschadiging ervan te voorkomen. Houd het gehele apparaat buiten bereik van kinderen! Wanneer kinderen met de voedingskabel spelen, kunnen zij ernstig letsel oplopen.
  - Koppel dit apparaat los tijdens onweer of wanneer deze voor een lange periode niet wordt gebruikt.
  - Het stopcontact moet in de buurt van de apparatuur zijn geïnstalleerd en eenvoudig te bereiken zijn.
  - Zorg ervoor stopcontacten of verlengsnoeren niet te overbelasten. Overbelasting kan tot brand of elektrische schokken leiden.
  - Apparaten met een klasse 1 constructie moeten worden aangesloten op een stopcontact met een beschermende aardeverbinding.
  - Apparaten met een klasse 2 constructie vereisen geen aardeverbinding.

- Houd altijd de stekker vast wanneer u deze uit het stopcontact trekt. Trek niet aan de voedingskabel. Dit kan anders een kortsluiting veroorzaken.
- Gebruik geen beschadigde voedingskabel of stekker of een los stopcontact. Dit kan anders leiden tot brand of elektrische schokken.

28. Als het product een afstandsbediening met knoop-/celbatterijen bevat of daarmee wordt geleverd:

Waarschuwing:

- "Batterij niet inslikken, gevaar op chemische brandwonden" of soortgelijke werking.
- [De afstandsbediening meegeleverd met] Dit product bevat een knoop-/celbatterij. Als de batterij wordt ingeslikt, kan deze in slechts 2 uur ernstige en zelfs fatale interne brandwonden veroorzaken.
- Houd zowel nieuwe als verbruikte batterijen uit de buurt van kinderen.
- Als het batterijvak niet goed sluit, gebruik het product dan niet langer en houd het uit de buurt van kinderen.
- Als u denkt dat batterijen zijn ingeslikt of in een lichaamsdeel zijn geplaatst, dient u onmiddellijk medische hulp in te roepen.

29. Waarschuwing m.b.t. het gebruik van batterijen:

- Risico op ontploffing als de batterij incorrect is geïnstalleerd. Vervang alleen door hetzelfde of een gelijkwaardig type.
- Stel de batterij niet bloot aan extreem hoge of lage temperaturen of een lage luchtdruk op grote hoogte tijdens gebruik, opslag of transport.
- Vervanging van een batterij door een incorrect type kan leiden tot een ontploffing of de lekkage van ontvlambare vloeistoffen of gas.
- Verwijdering van een batterij in vuur of een hete oven of het mechanisch verpletteren of snijden van een batterij kan leiden tot een ontploffing.
- Laat een batterij nooit achter in omgevingen met extreem hoge temperaturen, anders kan dit leiden tot een ontploffing of de lekkage van ontvlambare vloeistoffen of gas.
- Stel een batterij nooit bloot aan een extreem lage luchtdruk, anders kan dit leiden tot een ontploffing of de lekkage van ontvlambare vloeistoffen of gas.
- Houd rekening met de impact op het milieu bij het afdanken van batterijen.

## **INSTALLATIE**

- Pak alle onderdelen uit en verwijder het beschermende materiaal.
- Sluit het apparaat niet aan op het lichtnet voordat de correcte netspanning is geverifieerd en alle andere aansluitingen tot stand zijn gebracht.

## Gepland gebruik

Dit apparaat wordt gebruikt om muziekbestanden in MP3-, WMA-, WAV-, APE- en FLAC-formaat af te spelen, evenals videobestanden in AVI-formaat met resolutie in 240\*320, en fotobestanden in JPG-, GIF-, BMP-formaat.

Dit product is niet bedoeld voor commercieel gebruik noch voor medische en bijzondere toepassingen waarbij het falen van het product kan leiden tot letsels, overlijden of aanzienlijke eigendomsschade.

De aansprakelijkheid vervalt bij gebruik dat niet overeenstemt met het gepland gebruik.

Het apparaat openen en wijzigen evenals het gebruik van bijkomende apparatuur en toebehoren die niet door ons werden goedgekeurd, is verboden.

Gebruik het apparaat niet in extreme weersomstandigheden en leef de veiligheidsinstructies na. Het niet naleven van de informatie en de veiligheidsinstructies in deze handleiding wordt geacht als het niet naleven van het geplande gebruik en heeft tot gevolg dat de aansprakelijkheid vervalt en kan leiden tot letsels en schade aan eigendom.

## De gebruikershandleiding downloaden

- Om het milieu te sparen, is de gedetailleerde gebruikershandleiding opgeslagen in de map met de naam "UTILITIES > User Manual (UTILITIES > Gebruikershandleiding)" in het ingebouwde geheugen. U moet het naar uw computer downloaden om het te openen. Het is ook te downloaden van onze website via [www.lenco.com/...downloads](http://www.lenco.com/...downloads).

**Opmerking:** Om de gebruikershandleiding te kunnen openen, moet op uw computer een pdf-lezer zijn geïnstalleerd. U kunt een pdf-reader gratis downloaden op <http://get.adobe.com/reader/>

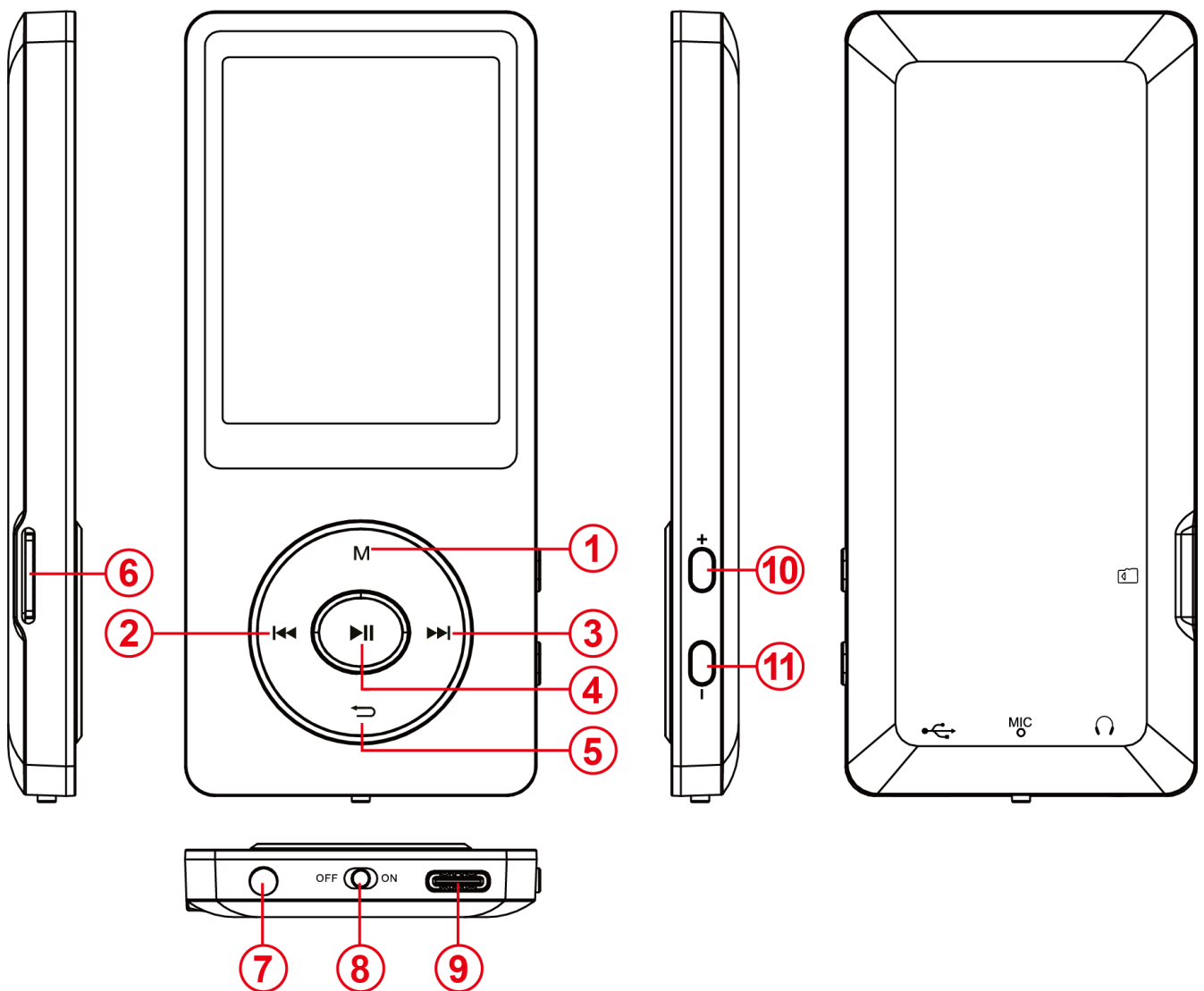


**WAARSCHUWING:** Bij deelname aan het verkeer kan het luisteren naar muziek de luisteraar minder bewust maken van potentiële gevaren zoals naderende auto's.



**WAARSCHUWING:** Luister niet gedurende lange perioden op een hoog volume om mogelijke gehoorbeschadiging te voorkomen.

## 1. Overzicht Apparaat



<b>(1) Menu</b>	Druk kort in om naar de submenu's te gaan
<b>(2) Laatst</b>	Kort indrukken: Laatste liedje; Lang indrukken: Snel terugspoelen
<b>(3) Volgende</b>	Kort indrukken: Volgende liedje; Lang indrukken: Snel voorwaarts spoelen
<b>(4) Starten/pauzeren</b>	Kort indrukken: Afspelen/Pauzeren van de muziek; Lang indrukken: Stroom aan/uit van de speler
<b>(5) Terug</b>	Kort indrukken en ga terug naar het vorige menu of interface
<b>(6) Kaartsleuf</b>	Micro SD-kaart (of TF-kaart) ondersteund
<b>(7) Stekker oortelefoon</b>	φ3,5mm fitting voor verbinding hoofdtelefoon
<b>(8) AAN/UIT</b>	Verschuif het om de speler aan/uit te schakelen
<b>(9) USB-poort</b>	USB TYPE-C om te herladen & gegevensoverdracht
<b>(10) Vol +</b>	Kort indrukken voor VOL (volume) omhoog; Lang indrukken om VOL snel te verhogen
<b>(11) Vol -</b>	Kort indrukken voor VOL (volume) omlaag; Lang indrukken om VOL snel te verlagen



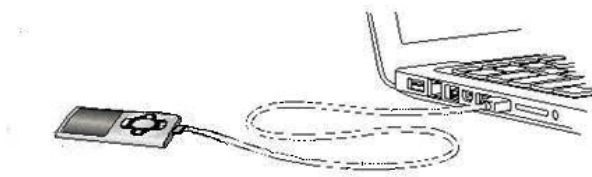
## 2. Inhoud verpakking

Controleer de inhoud van de verpakking om te zien of het volledig is

- Bluetooth MP4 Speler
- Stereo hoofdtelefoons
- USB-kabel
- Gebruikshandleiding

## 3. Aansluiten op een computer

Om bestanden uit te wisselen tussen uw speler en een computer, kunt u gewoon uw speler aansluiten op de computer door middel van de bijgeleverde USB-kabel.



### a) Het apparaat aansluiten

Om de speler aan te sluiten op de computer, voer de USB-kabel in met een vrije USB-poort van de geactiveerde computer en verbind de USB-poort van de kabel met de speler. Het wordt nu herkend als verwijderbaar medium en is klaar voor gegevensoverdracht met de computer.

Nu kunt u gewoon de bestanden overdragen van uw computer naar uw speler of vice versa met “Drag and Drop” (Slepen en Neerzetten) of met “Copy and Paste” (Kopiëren en Plakken).

### b) Het apparaat loskoppelen

Alvorens de USB-kabel te verwijderen, moet u ervoor zorgen dat de gegevensverbinding tussen de apparaten gescheiden is!

Om dit te doen, druk op de knop **M** gedurende 1 - 2 seconden. Het scherm toont nu het huidige laadpeil, en de gegevensverbinding werd gescheiden.

Indien u een Windows PC gebruikt, kan de speler ook losgekoppeld worden via de computer. Om dit te doen, klik op het symbool “Remove hardware safely” (Veilig hardware verwijderen) in de taakbalk van Windows. Selecteer nu de MP4-speler en volg de instructies op uw computer tot het bevestigt dat de bewerking succesvol was.

Indien u een Mac gebruikt, kunt u gewoon de speler loskoppelen door het speler-pictogram te slepen op het vuilnisbak-symbool.

De USB-kabel kan nu veilig gescheiden worden van de speler en de computer.

**Opmerking:** Verwijder de speler niet van de computer indien de overdracht van bestanden tussen de apparaten niet beëindigd is. Dit kan leiden tot gegevensverlies en het medium beschadigen.



**WAARSCHUWING:** Langdurige blootstelling aan extreem luide muziek kan leiden tot tijdelijke of permanente gehoorschade of gehoorverlies. Het gebruik van de videospeler in het verkeer wordt afgeraden. Het kan ertoe leiden dat de luisteraar veronachtzaam reageert op potentiële gevaren zoals naderende voertuigen.

## 4. Bediening

### A). Algemene bediening

#### (1) De speler aan- en uitschakelen

Druk op de knop AAN / UIT onderaan het apparaat om de speler aan / uit te schakelen.

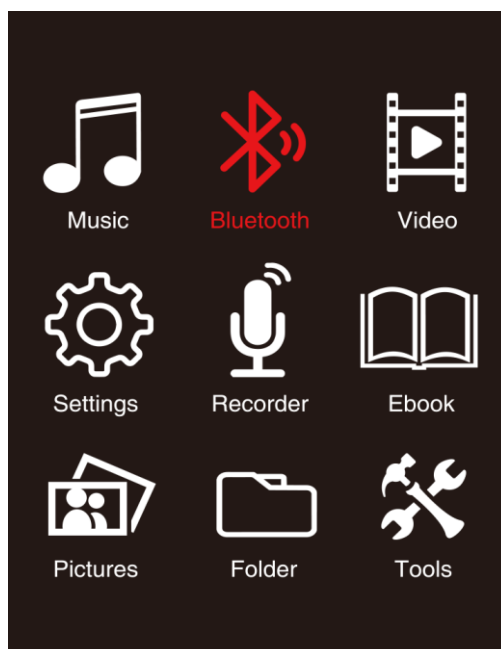
Indien de Schakelaarsknop reeds in de stand AAN staat, druk dan op de ►|| knop en houd deze gedurende 2-3s ingedrukt.

#### (2) Het hoofdmenu

Na het activeren van de speler verschijnt het hoofdmenu. Het bestaat uit 9 verschillende menu items:

Music, Bluetooth, Video, Settings, Recorder, EBook, Pictures, Folder and Tools.

(Muziek, Bluetooth, Video, Instellingen, Recorder, E-Boek, Afbeeldingen, Map en Tools.)



#### (3) Navigatie

Met de ►► of ◀◀ en (M) of (↶) knop kunt u navigeren doorheen de verschillende menu's. Met de ►|| knop kunt u het gewenste menu item openen of de gewenste functie starten. Druk kort op de

↩ Arrow Back (Terugtoets) om terug te keren naar het vorige niveau. Druk op de ↩ Arrow Back (Terugtoets) gedurende 1 - 2 seconden om direct terug te keren naar het hoofdmenu.

## B). Bluetooth

(1) Navigeer in het hoofdmenu naar het menu item 'Bluetooth' en bevestig uw selectie met de ►| knop. De map overzicht wordt geopend. Selecteer met de ►| of ◀◀ knop de submenu's en bevestig uw selectie met de ►| knop.

### (2) Bedieningen

- Om Bluetooth in te schakelen, selecteer 'Bluetooth Switch Control' (Bluetooth Schakelregeling) en druk op de ►| knop voor enter, selecteer 'Bluetooth Open' (Bluetooth openen) om te activeren, het zal automatisch de beschikbare Bluetooth apparaten in de buurt scannen;
- Om handmatig een Bluetooth-apparaat te zoeken, selecteer 'Search Device (Apparaat zoeken)' en druk op de toets ►| om te bevestigen. Het beschikbare Bluetooth-apparaat verschijnt in de lijst. Druk op de toets ►| of ◀◀ om het apparaat te selecteren en druk op de toets ►| om het koppelen te starten.
- Als het Bluetooth apparaat succesvol verbonden is, keer terug naar het menu 'Music' (Muziek) en geniet.
- Om het huidige Bluetooth-apparaat te ontkoppelen, druk op de toets ►| of ◀◀ om 'Device list (Apparaatlijst)' te selecteren, druk op de toets ►| om het gekoppelde apparaat te openen en te selecteren, druk nogmaals op de toets ►| om 'Disconnect (Verbreken)' te bevestigen of niet.

**"Dit product heeft een Bluetooth-zendfunctie, u kunt geen Bluetooth-geluid ermee ontvangen:** dit betekent dat u draadloos een Bluetooth-geluidssignaal kunt verzenden van een extern apparaat, zoals een Bluetooth-luidspreker, Bluetooth-hoofdtelefoon, audiosysteem met Bluetooth-ontvangst,..."

Dit product werkt op 2400-2483,5 MHz en is alleen bestemd om te worden gebruikt in een normale huishoudelijke omgeving. Dit product is geschikt voor dit doel in alle EU-landen.

## 5. Technische gegevens

Afmetingen	104 mm x 47 mm x 10,0mm
Gewicht	~38g.
LCD	2,4inch kleur display, resolutie: 240 x 320 Pixel
PC verbinding	USB 2,0 (PC)   USB TYPE-C poort (speler)
Batterij	Herlaadbare Li-Polymeer batterij, capaciteit: 300mAh
Bluetooth	Versie 5.3, zender (TX)
SNR	>85dB
Muziekformaat	MP3 / WMA / WAV / APE / FLAC
Videoformaat	AVI 320 x 240 pixels
Afbeeldingsformaat	JPG / BMP / GIF
Bedieningstemperatuur	-5 tot 55° Celsius
Besturingssysteem	Windows 7 / 8 / 8.1 / 10 / 11 / Mac 10.x or hoger

### Garantie

Commaxx B.V. verleent service en garantie in overeenstemming met de Europese wetgeving, wat betekent dat u bij reparaties (zowel tijdens als na de garantieperiode) contact dient op te nemen met uw lokale dealer.

Belangrijke opmerking: Het is niet mogelijk om te repareren producten direct naar Commaxx B.V. te sturen.

Belangrijke opmerking: Als dit apparaat op enigerlei wijze wordt geopend door de gebruiker of een niet-officieel servicecentrum, komt de garantie te vervallen.

Dit apparaat is niet geschikt voor professioneel gebruik. Bij professioneel gebruik worden alle garantieverplichtingen van de fabrikant nietig.

### Disclaimer

Er worden regelmatig updates voor de firmware en/of hardwarecomponenten uitgegeven. Daarom kunnen sommige instructies, specificaties en afbeeldingen in deze documentatie enigszins afwijken van uw specifieke situatie. Alle items beschreven in deze handleiding, zijn alleen bestemd ter illustratie en zijn mogelijk niet van toepassing op een bepaalde situatie. Aan de beschrijving in deze handleiding kunnen geen wettelijke rechten of aanspraken worden ontleend.

### Het oude apparaat afdanken



Dit symbool geeft aan dat het betreffende elektrische product of de batterij in Europa niet als algemeen huishoudelijk afval mag worden afgevoerd. Om ervoor te zorgen dat het product en de batterij op de juiste manier worden verwerkt, dient u deze af te danken in overeenstemming met de toepasselijke lokale wetgeving met betrekking tot de verwijdering van elektrische apparatuur of batterijen. U helpt hierdoor natuurlijke hulpbronnen te behouden en de normen voor milieubescherming bij de behandeling en verwijdering van elektrisch afval te

verbeteren (richtlijn afgedankte elektrische en elektronische apparatuur).

### CONFORMITEITSVERKLARING

Hierbij verklaart Commaxx dat de radio-uitrusting type [Lenco Xemio-860] in overeenstemming is met richtlijn 2014/53/EU. De volledige tekst van de EU-conformiteitsverklaring is beschikbaar op het volgende internetadres:

[https://commaxx-certificates.com/doc/xemio-860\\_doc.pdf](https://commaxx-certificates.com/doc/xemio-860_doc.pdf)

Type RF	Frequentiebereik: (MHz)	Vermogen (dBm)
Bluetooth	2402-2480	<6

### Service

Bezoek voor meer informatie en helpdeskondersteuning [www.lenco.com](http://www.lenco.com)  
Commaxx B.V. Wiebachstraat 37, 6466 NG Kerkrade The Netherlands.

**VORSICHT:**

Eine andere als die hier beschriebene Benutzung der Bedienelemente oder Einstellung oder Durchführung von Abläufen kann zu einer Aussetzung gefährlicher Strahlung führen.

**VORSICHTSMASSNAHMEN VOR DER BENUTZUNG**

---

**BEFOLGEN SIE IMMER FOLGENDE ANWEISUNGEN:**

1. Blockieren oder bedecken Sie keine Lüftungsöffnungen. Wenn Sie das Gerät auf ein Regal stellen, lassen Sie um das gesamte Gerät 5 cm (2") Freiraum.
2. Stellen Sie das Gerät entsprechend den Anweisungen der mitgelieferten Bedienungsanleitung auf.
3. Halten Sie das Gerät von Hitzequellen wie Radiatoren, Heizern, Öfen, Kerzen oder anderen hitzeerzeugenden Produkten oder offenen Flammen fern. Das Gerät darf nur bei gemäßigtem Klima verwendet werden. Sehr kalte oder heiße Umgebungen sind zu vermeiden. Betriebstemperatur zwischen - 5 und 55 °C.
4. Meiden Sie bei der Benutzung des Produkts die Nähe starker Magnetfelder.
5. Elektrostatische Entladungen können die normale Benutzung dieses Gerätes stören. Sollte dies geschehen, führen Sie einfach einen Reset aus und starten Sie dann das Gerät entsprechend den Anweisungen dieser Bedienungsanleitung neu. Gehen Sie besonders bei Datenübertragungen mit dem Gerät vorsichtig um und führen Sie diese nur in einer anti-elektrostatischen Umgebung aus.
6. Warnung! Niemals Gegenstände durch die Lüftungsschlitze oder Öffnungen in das Gerät stecken. In diesem Gerät fließt Hochspannung und das Hineinstecken von Gegenständen kann zu Stromschlag und/oder Kurzschluss interner elektrischer Bauteile führen. Spritzen/gießen Sie aus dem gleichen Grund weder Wasser noch andere Flüssigkeiten auf das Gerät.
7. Benutzen Sie das Gerät nicht in nasser oder feuchter Umgebung wie Bad, Dampfküche oder in der Nähe von Schwimmbecken.
8. Das Gerät darf weder Tropf- noch Spritzwasser ausgesetzt werden und es dürfen keine mit Flüssigkeit gefüllten Behälter wie z. B. Vasen auf das Gerät oder in der Nähe des Gerätes gestellt werden.
9. Benutzen Sie das Gerät nicht, wenn Kondensation entstehen kann. Wenn Sie das Gerät in einem warmen, feuchten Raum mit Dampf benutzen, können Wassertropfen oder Kondensation in das Gerät eindringen und u. U. zu Fehlfunktionen des Gerätes führen. Schalten Sie in diesem Fall das Gerät für 1 bis 2 Stunden aus, bevor Sie es erneut einschalten, wobei Sie darauf achten sollten, dass das Gerät vollständig getrocknet ist, bevor Sie es wieder einschalten.
10. Obwohl dieses Gerät unter größter Sorgfalt hergestellt und vor Auslieferung mehrmals überprüft wurde, können trotzdem wie bei jedem anderen elektrischen Gerät auch Probleme auftauchen. Trennen Sie das Gerät bei Rauchentwicklung, starker Hitzeentwicklung oder jeder anderen unnatürlichen Erscheinung sofort vom Stromnetz.
11. Dieses Gerät ist durch eine Stromquelle wie auf dem Typenschild angegeben zu betreiben. Halten Sie bei Unsicherheiten über die Art Ihrer Stromversorgung in Ihrer Wohnung Rücksprache mit Ihrem Händler oder Ihrem Stromversorger.
12. Halten Sie das Gerät von Haustieren fern. Einige Nagetiere lieben es, an Netzkabeln zu nagen.
13. Benutzen Sie für die Reinigung ein weiches, trockenes Tuch. Benutzen Sie niemals Lösungsmittel oder Flüssigkeiten auf Ölbasis. Benutzen Sie zum Entfernen hartnäckiger Flecken ein feuchtes Tuch mit mildem Reinigungsmittel.

14. Der Hersteller haftet nicht für Beschädigungen oder Datenverluste aufgrund von Fehlfunktion, Zweckentfremdung oder Modifikation des Gerätes oder aufgrund des Wechsels der Batterie.
15. Unterbrechen Sie die Verbindung nicht während einer Formatierung oder einer Datenübertragung. Bei Unterbrechung drohen Datenverlust und Datenbeschädigung.
16. Wenn das Gerät eine USB-Wiedergabefunktion besitzt, stecken Sie den USB-Stick direkt in das Gerät. Verwenden Sie kein USB-Verlängerungskabel, weil die erhöhte Störungsanfälligkeit zu Datenverlust führen kann.
17. Das Typenschild befindet sich an der Unter- oder Rückseite des Gerätes.
18. Dieses Gerät ist nicht zur Benutzung durch Personen (einschließlich Kinder) mit physischen, sensorischen oder mentalen Beeinträchtigungen oder ohne ausreichende Erfahrung vorgesehen, es sei denn, sie werden durch eine für ihre Sicherheit verantwortliche Person beaufsichtigt oder wurden in die ordnungsgemäße Bedienung des Gerätes durch eine für ihre Sicherheit verantwortliche Person eingewiesen.
19. Dieses Produkt ist nur für den nicht-professionellen Gebrauch und nicht für gewerbliche oder industrielle Zwecke bestimmt.
20. Stellen Sie sicher, dass das Gerät in einer stabilen Position aufgestellt ist. Schäden, die durch Verwendung dieses Produkts in einer instabilen Position, durch Vibrationen, Stöße oder Nichtbeachtung der anderen in diesem Handbuch enthaltenen Warnungen und Sicherheitsmaßnahmen entstehen, werden nicht durch die Garantie abgedeckt.
21. Entfernen Sie niemals das Gehäuse dieses Gerätes.
22. Stellen Sie dieses Gerät niemals auf andere elektrische Geräte.
23. Halten Sie Kinder von den Plastiktüten fern.
24. Benutzen Sie nur vom Hersteller spezifizierte Erweiterungen/Zubehörteile.
25. Lassen Sie alle Wartungs-/Reparaturarbeiten von qualifiziertem Servicepersonal ausführen. Reparatur/Wartung wird notwendig, wenn das Gerät in irgendeiner Weise wie beispielsweise am Netzkabel oder am Netzstecker beschädigt wurde oder wenn Flüssigkeit in das Gerät gelangt ist bzw. Gegenstände in das Gerät gefallen sind, das Gerät Regen oder Feuchtigkeit ausgesetzt war, es heruntergefallen ist oder nicht ordnungsgemäß funktioniert.
26. Langes Hören lauter Töne aus einem Musikgerät kann zu zeitweiligem oder permanentem Hörverlust führen.
27. Wenn zum Lieferumfang des Produkts ein Netzkabel oder ein Netzadapter gehört:
  - Wenn irgendwelche Probleme auftreten, trennen Sie das Gerät vom Stromnetz und setzen Sie sich anschließend mit einer qualifizierten Fachkraft in Verbindung.
  - Treten Sie nicht auf den Netzadapter und klemmen Sie ihn auch nicht ein. Seien Sie besonders im näheren Bereich des Netzsteckers und an der Stelle vorsichtig, an der das Netzkabel aus dem Gerät herausgeführt wird. Stellen Sie keine schweren Gegenstände auf den Netzadapter, da er dadurch beschädigt werden kann. Halten Sie das gesamte Gerät außerhalb der Reichweite von Kindern! Durch Spielen mit dem Netzkabel können sie sich ernsthafte Verletzungen zuziehen.
  - Trennen Sie das Gerät während eines Gewitters oder bei längerer Nichtbenutzung vom Stromnetz.
  - Die Netzsteckdose muss sich in der Nähe des Gerätes befinden und einfach zu erreichen sein.
  - Überlasten Sie Steckdosen und Verlängerungsleitungen nicht. Eine Überlastung kann zu Brandgefahr bzw. Stromschlag führen.
  - Geräte der Schutzklasse 1 müssen Sie an eine Netzsteckdose mit Schutzleiter anschließen.
  - Geräte der Schutzklasse 2 benötigen keinen Schutzleiteranschluss.

- Greifen Sie beim Abziehen von der Netzsteckdose am Netzstecker. Ziehen Sie ihn nicht durch Zerren am Kabel heraus. Das kann zu einem Kurzschluss führen.
  - Verwenden Sie weder ein beschädigtes Netzkabel noch einen beschädigten Netzstecker oder eine lockere Steckdose. Missachtung kann zu Brand oder Stromschlag führen.
28. Wenn das Produkt mit einer Fernbedienung mit Batterien/Knopfzellen geliefert wird oder das Produkt eine derartige Fernbedienung umfasst:

Warnung:

- Die Batterie nicht verschlucken – Verätzungsgefahr.
  - Die mit diesem Produkt [gelieferte Fernbedienung] enthält eine Knopfzelle. Das Verschlucken der Batterie kann innerhalb von nur 2 Stunden zu schwersten inneren Verbrennungen mit Todesfolge führen.
  - Halten Sie neue und gebrauchte Batterien von Kindern fern.
  - Falls sich das Batteriefach nicht richtig schließen lässt, stellen Sie die Benutzung des Gerätes ein und halten Sie es von Kindern fern.
  - Wenn Sie vermuten, dass Batterien verschluckt oder in eine Körperöffnung eingeführt worden sind, suchen Sie umgehend eine(n) Ärztin/Arzt auf.
29. Warnhinweise bzgl. der Verwendung von Batterien:
- Es besteht Explosionsgefahr, wenn die Batterie nicht ordnungsgemäß ersetzt wird. Tauschen Sie die Batterie nur gegen eine Batterie des gleichen Typs aus.
  - Die Batterie darf während der Benutzung, Aufbewahrung oder des Transports weder sehr hohen oder sehr niedrigen Temperaturen noch niedrigem Luftdruck in großen Höhenlagen ausgesetzt werden.
  - Die Auswechslung der Batterie mit einem falschen Batterietyp kann zum Explodieren der Batterie oder zum Entweichen von entflammbarem Gas oder Auslaufen von entflammbarer Flüssigkeit aus der Batterie führen.
  - Die Entsorgung der Batterie in Feuer oder einem heißen Ofen oder das mechanische Zerkleinern oder Zerteilen der Batterie kann zu Explosionen führen.
  - Das Verbleiben der Batterie in einer Umgebung mit sehr hohen Temperaturen kann zum Explodieren der Batterie oder zum Entweichen von entflammbarem Gas oder zum Auslaufen von entflammbarer Flüssigkeit aus der Batterie führen.
  - Eine einem sehr niedrigen Luftdruck ausgesetzte Batterie kann explodieren oder es kann aus einer einem sehr niedrigen Luftdruck ausgesetzten Batterie entflammbares Gas entweichen oder entflammbare Flüssigkeit auslaufen.
  - Legen Sie besonderes Augenmerk auf den ökologischen Aspekt der Batterieentsorgung.

## INSTALLATION

- Packen Sie alle Teile aus und entfernen Sie danach die Schutzmaterialien.
- Schließen Sie das Gerät erst an das Stromnetz an, nachdem Sie die Netzspannung überprüft haben und alle anderen notwendigen Anschlüsse hergestellt sind.



## Verwendungszweck

Dieses Gerät ist dazu bestimmt, Musikdateien in den Formaten MP3, WMA, WAV, APE und FLAC sowie Videodateien im AVI-Format mit einer Auflösung von 240\*320 und Fotodateien im JPG-, GIF- und BMP-Format wiederzugeben.

Bitte beachten Sie, dass dieses Produkt nicht für den kommerziellen Gebrauch oder für medizinische und spezielle Anwendungen vorgesehen ist, bei denen ein Versagen des Geräts zu Verletzungen, Todesfällen oder erheblichen Sachschäden führen kann.

Die Haftung erlischt bei unsachgemäßer Verwendung.

Das Öffnen und Verändern des Geräts sowie die Verwendung von nicht autorisiertem Zubehör oder Zusatzgeräten ist untersagt.

Verwenden Sie das Gerät nicht unter extremen Umweltbedingungen und beachten Sie die Sicherheitshinweise. Die Missachtung der in dieser Anleitung enthaltenen Informationen und Sicherheitshinweise gilt als unsachgemäßer Gebrauch und führt zum Erlöschen der Haftung. Dies kann zu Personen- oder Sachschäden führen.

## Herunterladen des Benutzerhandbuchs

- Um die Umwelt zu schonen, befindet sich das ausführliche Benutzerhandbuch im Ordner „UTILITIES“ > „User Manual (Benutzerhandbuch)“ im integrierten Speicher. Um es zu öffnen, müssen Sie es auf Ihren Computer herunterladen. Es kann auch von unserer Website [www.lenco.com/...downloads](http://www.lenco.com/...downloads) heruntergeladen werden.

**Hinweis:** Um das Benutzerhandbuch zu öffnen, muss auf Ihrem Computer ein PDF-Reader installiert sein. Unter <http://get.adobe.com/reader/> können Sie einen kostenlosen PDF-Reader herunterladen.

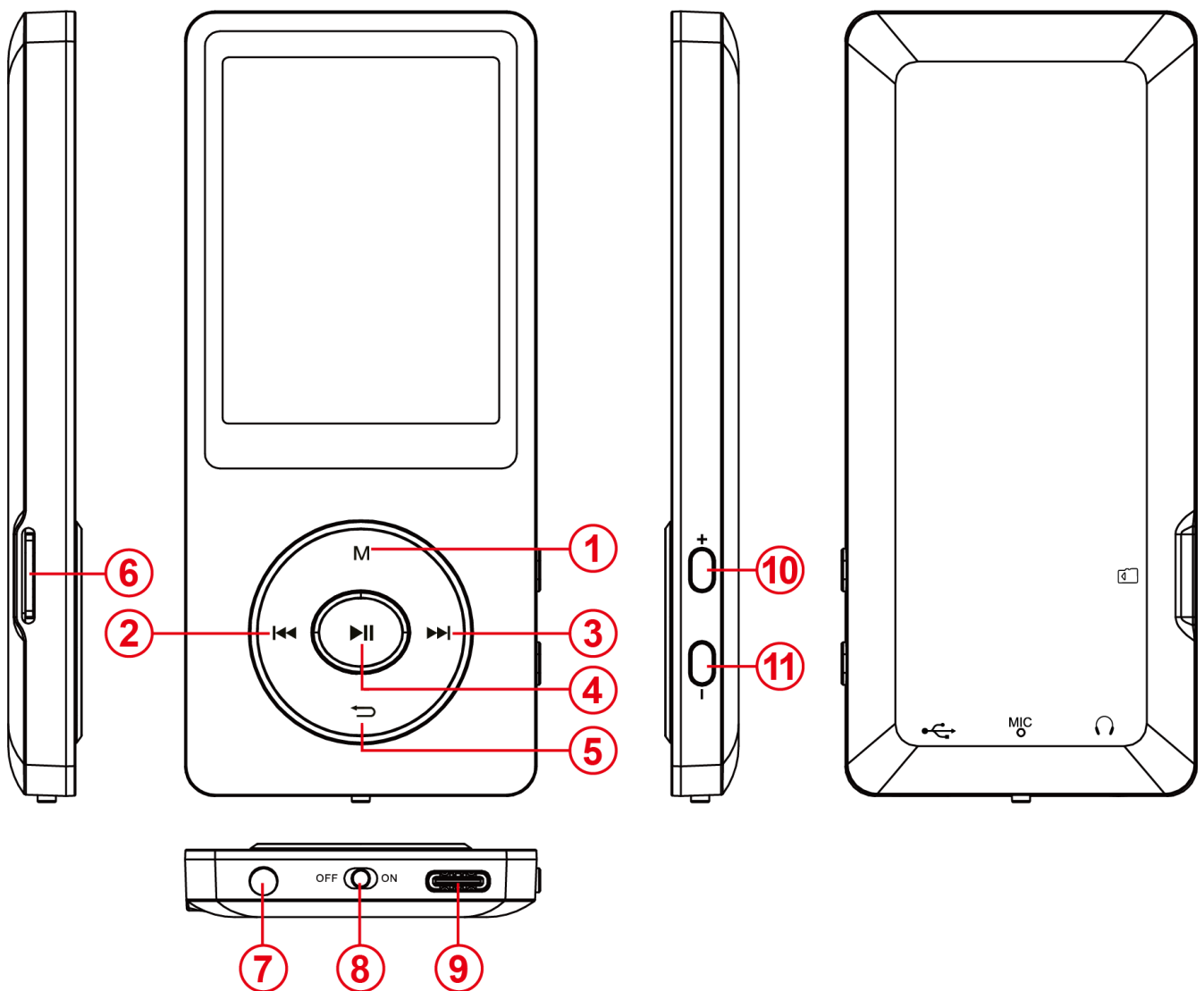


**WARNUNG:** Bei der Teilnahme am Straßenverkehr kann das Hören von Musik über ein Musikgerät von möglichen Gefahren, wie sich annähernden Fahrzeugen, ablenken.



**WARNUNG:** Hören Sie nicht für längere Zeit mit einem hohen Lautstärkepegel, um dauerhaften Hörschäden vorzubeugen.

## 1. Übersicht über das Gerät



<b>1) Menü</b>	Kurzes Drücken, um die Untermenüs aufzurufen
<b>(2) Letzte</b>	Kurzes Drücken: Letzter Titel; Langes Drücken: Schneller Rücklauf
<b>(3) Nächstes</b>	Kurzes Drücken: Nächster Titel; Langes Drücken: Schneller Vorlauf
<b>(4) Wiedergabe/Pause</b>	Kurzes Drücken: Abspielen/Pause der Musik; Langes Drücken: Ein-/Ausstellen des Players
<b>(5) Zurück</b>	Kurzes Drücken, um zum vorherigen Menü oder zur Oberfläche zurückzukehren
<b>(6) Kartensteckplatz</b>	Unterstützt Micro SD-Karten (oder TF-Karten)
<b>(7) Kopfhöreranschluss</b>	φ3.5mm-Buchse für Kopfhöreranschluss
<b>(8) Ein/Aus</b>	Schieben Sie den Schalter, um den Player ein- oder auszuschalten
<b>(9) USB-Port</b>	USB TYPE-C zum Aufladen und Datenübertragung
<b>(10) Vol +</b>	Kurzes Drücken für Lautstärke erhöhen; Langes Drücken für schnelles Erhöhen der Lautstärke
<b>(11) Vol -</b>	Kurzes Drücken für Lautstärke verringern; Langes Drücken für schnelles Verringern der Lautstärke

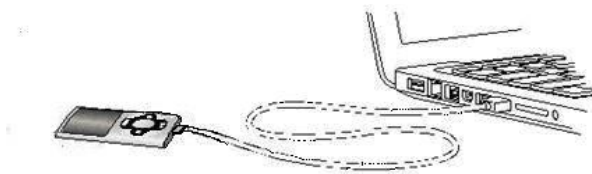
## 2. Inhalt des Pakets

Bitte überprüfen Sie den Inhalt des Pakets auf Vollständigkeit

- Bluetooth MP4-Player
- Stereo-Kopfhörer
- USB-Kabel
- Bedienungsanleitung

## 3. Anschließen an einen Computer

Um Dateien zwischen Ihrem Player und einem Computer auszutauschen, können Sie den Player einfach über das mitgelieferte USB-Kabel mit dem Computer verbinden.



### a) Anschließen des Geräts

Um den Player mit dem Computer zu verbinden, stecken Sie das USB-Kabel in einen freien USB-Anschluss des aktivierten Computers und verbinden Sie den anderen USB-Anschluss des Kabels mit dem Player. Der Player wird nun als Wechseldatenträger erkannt und ist bereit für die Datenübertragung mit dem Computer.

Sie können nun Dateien einfach per „Drag and Drop“ oder durch „Copy and Paste“ (Kopieren und Einfügen) vom Computer auf den Player oder umgekehrt übertragen.

### b) Trennen der Verbindung mit dem Gerät

Bevor Sie das USB-Kabel abziehen, stellen Sie sicher, dass die Datenverbindung zwischen den Geräten getrennt wurde!

Halten Sie dazu die **M**-Taste 1-2 Sekunden lang gedrückt. Das Display zeigt nun den aktuellen Ladezustand an und die Datenverbindung wurde getrennt.

Wenn Sie einen Windows-PC verwenden, können Sie den Player auch über den Computer trennen. Klicken Sie dazu auf das Symbol „Remove hardware safely“ (Hardware sicher entfernen) in der Windows-Taskleiste. Wählen Sie den MP4-Player aus und folgen Sie den Anweisungen Ihres Computers, bis der Vorgang erfolgreich abgeschlossen ist.

Wenn Sie einen Mac verwenden, können Sie den Player einfach trennen, indem Sie das Player-Symbol auf das Papierkorbsymbol ziehen.

Das USB-Kabel kann nun sicher vom Player und Computer getrennt werden.

**Hinweis:** Trennen Sie den Player nicht vom Computer, wenn die Übertragung von Dateien zwischen den Geräten noch nicht abgeschlossen ist. Dies kann zu Datenverlusten führen und den Datenträger beschädigen.



**WARNUNG:** Längerer Kontakt mit übermäßig lauter Musik kann zu vorübergehenden oder dauerhaften Gehörschäden oder Hörverlust führen. Die Verwendung des Video-Players im Straßenverkehr wird nicht empfohlen. Dadurch besteht die Gefahr, dass der Benutzer unaufmerksam auf potenzielle Gefahren wie herannahende Fahrzeuge reagiert.

## 4. Bedienung

### A). Allgemeine Bedienung

#### (1) Ein- und Ausschalten des Players

Betätigen Sie den ON/OFF-Schalter an der Unterseite des Geräts, um den Player ein- und auszuschalten.

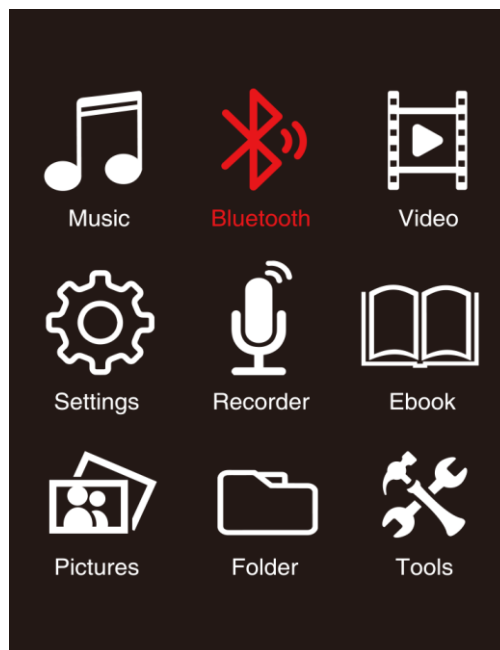
Wenn sich der Schalter bereits in der Position EIN befindet, halten Sie die ►|| Taste für 2-3 Sekunden gedrückt.

#### (2) Das Hauptmenü

Nach dem Einschalten des Players wird das Hauptmenü angezeigt. Es besteht aus 9 verschiedenen Menüpunkten:

Music, Bluetooth, Video, Settings, Recorder, EBook, Pictures, Folder and Tools.

(Musik, Bluetooth, Video, Einstellungen, Rekorder, EBook, Bilder, Ordner und Tools.)



### (3) Navigation

Mit der ►► oder ◀◀ und (M) oder (↩)Taste können Sie durch die verschiedenen Menüs navigieren. Mit der ► Taste können Sie den gewünschten Menüpunkt öffnen oder die gewünschte Funktion starten. Drücken Sie kurz die ↩ Zurück-Pfeiltaste , um zur vorherigen Ebene zurückzukehren. Halten Sie die ↩ Zurück-Pfeiltaste 1-2 Sekunden lang gedrückt, um direkt zum Hauptmenü zurückzukehren.

## B). Bluetooth

(1) Navigieren Sie im Hauptmenü zu dem Menüpunkt „Bluetooth“ und bestätigen Sie Ihre Auswahl mit der ► Taste. Es öffnet sich die Ordnerübersicht. Wählen Sie mit der Taste ►► oder ◀◀ die Untermenüs und bestätigen Sie Ihre Auswahl mit der ► Taste.

### (2) Bedienung

- Um Bluetooth zu aktivieren, wählen Sie „Bluetooth Switch Control (Bluetooth-Umschaltung)“ und drücken Sie die ► Taste zum Aufrufen, wählen Sie zum Aktivieren „Bluetooth Open (Bluetooth aktivieren)“ und es wird automatisch nach in der Nähe verfügbaren Bluetooth-Geräten gesucht.
- Um manuell nach einem Bluetooth-Gerät zu suchen, wählen Sie „Search Device (Gerät suchen)“ und drücken Sie zur Bestätigung die ► Taste. Die verfügbaren Bluetooth-Geräte werden in der Liste angezeigt. Drücken Sie die Taste ►► oder ◀◀, um das Gerät zu wählen, und drücken Sie zum Starten der Kopplung ►.

- Wenn das Bluetooth-Gerät erfolgreich verbunden wurde, kehren Sie zum Menüpunkt ‚Musik‘ zurück und starten Sie die Wiedergabe.
- Um die Kopplung des aktuellen Bluetooth-Geräts aufzuheben, drücken Sie die Taste ►► oder ◀◀, um „Device list (Geräteliste)“ auszuwählen. Drücken Sie dann die ►◄-Taste, um das gekoppelte Gerät aufzurufen und auszuwählen, drücken Sie die ►◄-Taste erneut, um „Disconnect (Trennen)“ zu bestätigen oder nicht.

"Dieses Produkt verfügt über eine Bluetooth-**Übertragungsfunktion, Sie können damit keinen Bluetooth-Ton empfangen**: das bedeutet, dass Sie drahtlos ein Bluetooth-Tonsignal an ein externes Gerät wie einen Bluetooth-Lautsprecher, einen Bluetooth-Kopfhörer, ein Audiosystem mit Bluetooth-Empfang,... übertragen können"

Dieses Produkt arbeitet bei 2400 bis 2483,5 MHz und ist nur auf den Betrieb innerhalb einer normalen Haushaltsumgebung ausgelegt. Dieses Produkt eignet sich für diesen Zweck in allen EU-Ländern.

## 5. Technische Daten

Abmessung	104 mm x 47 mm x 10.0mm
Gewicht	~38gr.
LCD	2,4-Zoll-Farbdisplay, Auflösung: 240 x 320 Pixel
PC-Anschluss	USB 2.0 (PC)   USB TYPE-C-Anschluss (Player)
Akku	Wiederaufladbarer Li-Polymer-Akku, Kapazität: 300mAh
Bluetooth	Version 5.3, Sender (TX)
Signal-Rausch-Verhältnis	>85dB
Musikformat	MP3 / WMA / WAV / APE / FLAC
Videoformat	AVI 320 x 240 pixels
Bildformat	JPG / BMP / GIF
Betriebstemperatur	-5 °C bis 55 °C
Betriebssystem	Windows 7 / 8 / 8.1 / 10 / 11 / Mac 10.x oder höher

### Garantie

Commaxx B.V. bietet Leistungen und Garantien im Einklang mit Europäischem Recht. Setzen Sie sich deshalb im Falle von Reparaturen (sowohl während als auch nach Ablauf der Garantiezeit) mit Ihrem Fachhändler in Verbindung.

Wichtiger Hinweis: Es ist nicht möglich, Produkte für Reparaturen direkt an Commaxx B.V. zu schicken.

Wichtiger Hinweis: Wenn dieses Gerät aus welchem Grund auch immer durch ein nicht offizielles Servicezentrum geöffnet oder durch dieses Servicezentrum darauf zugegriffen wurde, erlischt die Garantie.

Dieses Gerät ist nicht für professionelle Zwecke geeignet. Falls das Gerät für professionelle Zwecke eingesetzt wird, erlöschen alle Garantieverpflichtungen seitens des Herstellers.

### Haftungsausschluss

Aktualisierungen der Firmware und/oder Hardware-Komponenten werden regelmäßig durchgeführt. Aus diesem Grund können einige der Anweisungen, Spezifikationen und Abbildungen in dieser Dokumentation von dem Ihnen vorliegenden Gerät geringfügig abweichen. Alle in diesem Handbuch beschriebenen Elemente dienen nur zur Illustration und treffen auf Ihre individuelle Situation möglicherweise nicht zu. Aus der in diesem Handbuch getätigten Beschreibung können keine Rechtsansprüche oder Leistungsanforderungen geltend gemacht werden.

### Entsorgung des Altgeräts



Dieses Symbol zeigt an, dass das entsprechende Produkt oder dessen Akku/Batterie in Europa nicht mit dem normalen Hausmüll entsorgt werden darf. Um die ordnungsgemäße Abfallbehandlung des Produkts und dessen Akku/Batterie zu gewährleisten, müssen diese im Einklang mit allen anwendbaren örtlichen Vorschriften zur Entsorgung von Elektrogeräten und Akkus/Batterien entsorgt werden. Dadurch helfen Sie, natürliche Ressourcen zu schonen und Umweltschutzstandards zur Verwertung und Entsorgung von Altgeräten aufrecht zu halten (Richtlinie über Entsorgung Elektrischer und Elektronischer Altgeräte).

### KONFORMITÄTSERKLÄRUNG

Hiermit erklärt Commaxx, dass das Funkgerät vom Typ [Lenco Xemio-860] der Richtlinie 2014/53/EU entspricht. Den vollständigen Text der EU-Konformitätserklärung finden Sie unter der folgenden Internetadresse:

[https://commaxx-certificates.com/doc/xemio-860\\_doc.pdf](https://commaxx-certificates.com/doc/xemio-860_doc.pdf)

Typ HF	Frequenzbereich (MHz)	Leistung (dBm)
Bluetooth	2402-2480	< 6

### Service

Besuchen Sie bitte für weitere Informationen und unseren Kundendienst unsere Homepage [www.lenco.com](http://www.lenco.com)

Commaxx B.V. Wiebachstraat 37, 6466 NG Kerkrade, The Netherlands.

**ATTENTION :**

L'utilisation de commandes ou de réglages ou l'exécution de procédures autres que celles spécifiées dans ce manuel peut entraîner une exposition à des rayonnements dangereux.

**PRÉCAUTIONS AVANT UTILISATION**

---

**GARDEZ CES INSTRUCTIONS À L'ESPRIT :**

1. Ne couvrez pas et n'obtenez pas les ouvertures de ventilation. Veuillez laisser un espace libre de 5 cm autour de l'appareil lorsque vous le posez sur une étagère.
2. L'installation doit être effectuée conformément au guide d'utilisation fourni.
3. Gardez l'appareil à l'écart des sources de chaleur telles que les radiateurs, les systèmes de chauffage, les cuisinières, les bougies et autres équipements générant de la chaleur ou une flamme nue. L'appareil ne doit être utilisé que dans un climat modéré. Les environnements extrêmement froids ou chauds doivent être évités. Température de fonctionnement comprise entre -5° et 55° C.
4. Évitez d'utiliser l'appareil à proximité de champs magnétiques puissants.
5. Des décharges électrostatiques peuvent perturber le fonctionnement normal de cet appareil. Dans ce cas, réinitialisez et redémarrez l'appareil en suivant le guide d'utilisation. Pendant le transfert de fichiers, manipulez l'appareil avec précaution dans un environnement privé d'électricité statique.
6. Avertissement ! N'introduisez jamais un objet dans l'appareil par les ouvertures et fentes de ventilation. Des tensions élevées sont présentes dans l'appareil, l'insertion d'un objet peut entraîner une électrocution ou court-circuiter certains composants. Pour les mêmes raisons, ne versez pas d'eau ou de liquide sur l'appareil.
7. N'utilisez pas l'appareil dans des endroits humides tels qu'une salle de bain, une cuisine pleine de vapeur ou à proximité d'une piscine.
8. L'appareil ne doit pas être exposé à des écoulements ou des éclaboussures et aucun objet contenant un liquide, tel qu'un vase, ne doit être posé sur ou près de l'appareil.
9. N'utilisez pas cet appareil lorsque de la condensation est possible. Lorsque l'appareil est utilisé dans une pièce chaude et humide, des gouttelettes d'eau ou de la condensation peuvent se former à l'intérieur de l'appareil et affecter son fonctionnement adéquat. Si tel est le cas, laissez l'appareil hors tension pendant 1 ou 2 heures avant de le mettre en marche : l'appareil doit être sec avant toute remise en marche.
10. Cet appareil est fabriqué avec le plus grand soin et vérifié plusieurs fois avant la sortie de l'usine, cependant il est toujours possible, comme pour tout appareil électrique, que des problèmes surviennent. Si vous remarquez de la fumée, une accumulation excessive de chaleur ou tout autre phénomène inattendu, débranchez immédiatement la fiche de la prise électrique secteur.
11. Cet appareil doit fonctionner avec la source d'alimentation indiquée sur la plaque signalétique. Si vous n'êtes pas sûr de votre type d'alimentation électrique, contactez le revendeur ou la compagnie d'électricité locale.
12. Gardez l'appareil à l'écart des animaux. Certains animaux aiment ronger les cordons d'alimentation.
13. Pour nettoyer l'appareil, utilisez un chiffon doux et sec. N'utilisez pas de solvant ni d'autre liquide à base de pétrole. Pour enlever les taches tenaces, utilisez un chiffon humide imbibé d'une solution de détergent diluée.



14. Le fournisseur n'est pas responsable des dommages ou pertes de données causés par un dysfonctionnement, une utilisation abusive, une modification de l'appareil ou un remplacement de la batterie.
15. Ne coupez aucune connexion lorsque l'appareil effectue un formatage ou transfert de fichiers. Autrement, les données risquent d'être corrompues ou perdues.
16. Si l'appareil dispose d'une fonction de lecture USB, il faut brancher la clé USB directement sur l'appareil. N'utilisez pas de câble de rallonge USB, car cela peut provoquer des interférences susceptibles de causer la perte de données.
17. La plaque signalétique se situe en dessous ou à l'arrière de l'appareil.
18. Cet appareil n'est pas destiné à être utilisé par des personnes (enfants y compris) souffrant de handicaps physiques, sensoriels ou mentaux, ou manquant d'expérience et de connaissances, sauf si elles sont sous surveillance ou ont reçu des instructions sur l'utilisation correcte de l'appareil par la personne responsable de leur sécurité.
19. Cet appareil est réservé à un usage non professionnel, et non pas à un usage commercial ou industriel.
20. Vérifiez que l'appareil est en position stable. La garantie ne couvre pas les dégâts occasionnés par l'utilisation de cet appareil en position instable, soumis à des vibrations ou chocs, ou par le non-respect de tout autre avertissement ou précaution contenus dans ce guide d'utilisation.
21. N'ouvrez jamais cet appareil.
22. Ne placez jamais cet appareil sur un autre appareil électrique.
23. Ne laissez pas les sacs en plastique à la portée des enfants.
24. N'utilisez que des pièces/accessoires recommandés par le fabricant.
25. Confiez tout entretien à un personnel de service qualifié. Une réparation est nécessaire lorsque l'appareil a été endommagé de quelque façon que ce soit, par exemple lorsque le cordon d'alimentation ou sa fiche est endommagée, lorsqu'un liquide a été renversé ou des objets ont été introduits dans l'appareil, lorsqu'il a été exposé à la pluie ou à l'humidité, ne fonctionne pas correctement ou s'il est tombé.
26. Une exposition prolongée à la musique avec un volume élevé peut entraîner une perte auditive temporaire ou permanente.
27. Si l'appareil est livré avec un câble d'alimentation ou un adaptateur secteur :
  - En cas de problème, débranchez le cordon d'alimentation secteur et confiez l'entretien à un personnel qualifié.
  - Ne marchez pas sur l'adaptateur secteur et ne le pincez pas. Faites très attention, en particulier lorsque vous êtes à proximité des fiches et du point de sortie du câble. Ne placez aucun objet lourd sur l'adaptateur secteur, il pourrait l'endommager. Gardez l'appareil hors de portée des enfants ! Les enfants pourraient se blesser gravement s'ils jouent avec le cordon d'alimentation.
  - Débranchez cet appareil pendant les orages ou lorsqu'il n'est pas utilisé pendant une longue durée.
  - La prise secteur doit être installée près de l'appareil et être facilement accessible.
  - Ne surchargez pas les prises de courant ou les rallonges. Une surcharge peut entraîner un incendie ou une électrocution.
  - Un appareil de classe 1 doit être branché sur une prise secteur disposant d'une mise à la terre.
  - Les appareils de classe 2 ne nécessitent pas de mise à la terre.
  - Tirez toujours sur la fiche lorsque vous la retirez de la prise d'alimentation secteur. Ne tirez pas sur le cordon d'alimentation. Cela pourrait provoquer un court-circuit.

- N'utilisez pas un cordon ou une fiche d'alimentation endommagé(e) ni une prise desserrée. Cela pourrait entraîner une électrocution ou un incendie.
28. Si l'appareil comprend ou est livré avec une télécommande contenant des piles boutons/piles :

Avertissement :

- « N'avalez pas les piles ! Risque de brûlure chimique » ou équivalent.
  - [La télécommande fournie avec] cet appareil contient une pile bouton/pile. Si la pile bouton est avalée, elle peut causer des brûlures internes graves en seulement 2 heures et peut conduire à la mort.
  - Gardez les piles neuves et usées hors de la portée des enfants.
  - Si le compartiment à pile ne se ferme pas correctement, cessez d'utiliser l'appareil et gardez-le hors de portée des enfants.
  - Si vous pensez que les piles ont été avalées ou ingérées d'une manière ou d'une autre, consultez immédiatement un médecin.
29. Avertissements sur l'utilisation des piles :
- Risque d'explosion si la pile n'est pas remplacée correctement. Ne les remplacez que par des piles du même type ou d'un type équivalent.
  - Les piles ne doivent pas être soumises à des températures extrêmement élevées ou basses, à une faible pression d'air à haute altitude pendant l'utilisation, le stockage ou le transport.
  - Tout remplacement de pile par un type incorrect peut entraîner une explosion ou une fuite de liquide ou de gaz inflammable.
  - L'élimination d'une pile dans le feu ou dans un four chaud, l'écrasement ou le découpage mécanique peut entraîner une explosion.
  - Laisser une pile dans un environnement à température extrêmement élevée peut entraîner une explosion ou une fuite de liquide ou de gaz inflammable.
  - Une pile soumise à une pression d'air extrêmement basse peut entraîner une explosion ou une fuite de liquide ou de gaz inflammable.
  - Une attention particulière doit être portée sur les aspects environnementaux d'élimination des piles.

## **INSTALLATION**

- Déballez tous les composants et enlevez les matériaux de protection.
- Ne branchez pas l'appareil sans avoir vérifié la tension secteur et sans avoir effectué toutes les autres connexions.

## Utilisation prévue

Cet appareil permet de lire des fichiers musicaux aux formats MP3, WMA, WAV, APE et FLAC, ainsi que des fichiers vidéo au format AVI avec une résolution de 240 x 320, et des fichiers photo aux formats JPG, GIF et BMP.

Ce produit n'est pas conçu pour des utilisations commerciales ou pour des applications médicales ou spéciales pour lesquelles une panne du produit peut provoquer des blessures, la mort ou des dommages matériels importants.

Toute responsabilité est exclue en cas d'utilisation non conforme à l'usage prévu.

Il est interdit d'ouvrir et de modifier l'appareil, ainsi que d'utiliser des équipements et des accessoires supplémentaires que nous n'avons pas approuvés.

N'utilisez pas l'appareil dans des conditions climatiques extrêmes et respectez les consignes de sécurité. Le non-respect des informations et des consignes de sécurité données dans le présent guide est considéré comme une utilisation non conforme à l'usage prévu et rend caduque toute responsabilité, et peut provoquer des blessures ou des dommages matériels.

## Téléchargement du manuel de l'utilisateur

- Pour contribuer à la protection de l'environnement, le manuel détaillé de l'utilisateur est enregistré dans le dossier « UTILITAIRES > Manuel de l'utilisateur » de la mémoire intégrée. Pour l'ouvrir, vous devez le télécharger sur votre ordinateur. Il peut également être téléchargé à partir de notre site web via [www.lenco.com/...downloads](http://www.lenco.com/...downloads).

**Remarque :** pour ouvrir le manuel d'utilisation, votre ordinateur doit être équipé d'un lecteur pdf. Vous pouvez télécharger gratuitement un lecteur pdf sur le site <http://get.adobe.com/reader/>

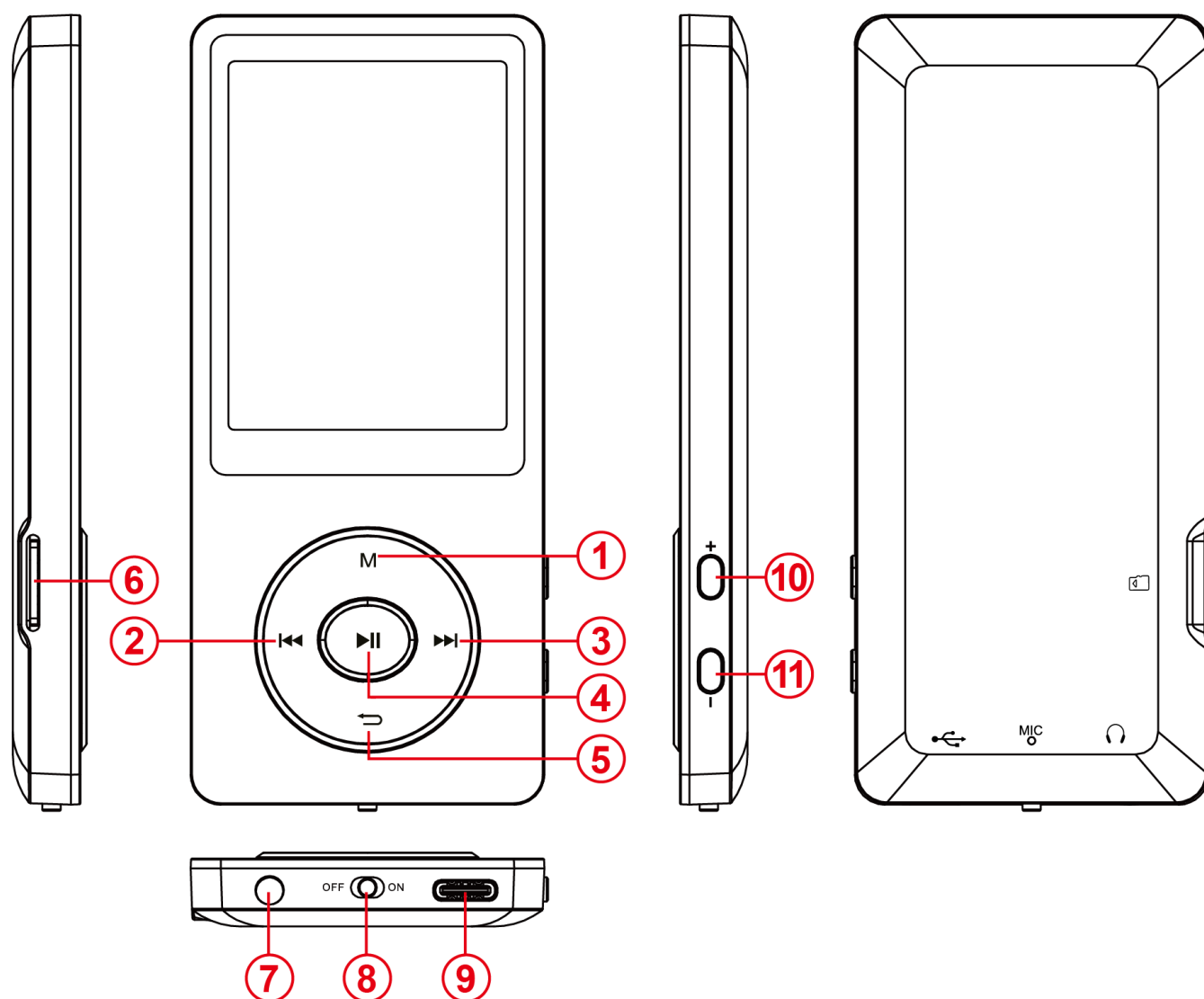


**AVERTISSEMENT :** écouter de la musique au volant peut réduire la concentration du conducteur et l'exposer au danger, notamment à la collision avec une autre voiture.



**AVERTISSEMENT :** pour éviter d'éventuels dommages auditifs, n'écoutez pas de la musique à de volume élevé durant de longues périodes.

## 1. Vue d'ensemble de l'appareil



<b>(1) Menu</b>	Un appui court pour accéder aux sous-menus
<b>(2) Précédent</b>	Un appui court : titre précédent. Un appui long : retour rapide.
<b>(3) Suivant</b>	Un appui court : titre suivant. Un appui long : avance rapide.
<b>(4) Lecture/pause</b>	Un appui court : jouer/mettre en pause la musique. Un appui long : allumer/éteindre le lecteur.
<b>(5) Retour</b>	Un appui court pour revenir à l'interface ou au menu précédent.
<b>(6) Logement de carte</b>	Compatible avec les cartes microSD (ou cartes TF)
<b>(7) Prise pour casque d'écoute</b>	Connecteur $\varphi$ 3,5 mm pour casque
<b>(8) Allumer/Éteindre</b>	Déplacez le commutateur pour allumer/éteindre le lecteur.
<b>(9) Port USB</b>	USB de type C pour la recharge et le transfert de données
<b>(10) Vol +</b>	Un appui court pour augmenter le volume. Un appui long pour augmenter rapidement le volume.
<b>(11) Vol -</b>	Un appui court pour diminuer le volume. Un appui long pour diminuer rapidement le volume.

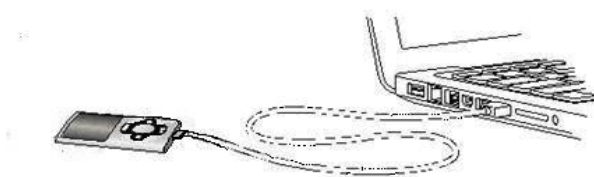
## 2. Contenu de l'emballage

Veuillez vérifier le contenu de l'emballage pour vous assurer qu'il est complet.

- Lecteur MP4 Bluetooth
- Casque d'écoute stéréo
- Câble USB
- Guide d'utilisation

## 3. Connexion à un ordinateur

Pour transférer des fichiers entre le lecteur et l'ordinateur, connectez simplement le lecteur à l'ordinateur à l'aide du câble USB fourni.



### a) Connexion de l'appareil

Pour connecter le lecteur à l'ordinateur, insérez le câble USB dans un port USB libre de l'ordinateur en fonctionnement, puis connectez le port USB du câble au lecteur. Il est désormais reconnu comme un support amovible et est prêt pour le transfert de données avec l'ordinateur.

À présent, transférez simplement les fichiers de votre ordinateur vers votre lecteur ou vice versa en utilisant la fonction « Drag and Drop » (Glisser-Déposer) ou « Copy and Paste » (Copier-Coller).

### b) Déconnexion de l'appareil

Avant de retirer le câble USB, vous devez vous assurer que la connexion de données entre les appareils est interrompue !

Pour ce faire, appuyez sur la touche **M** pendant 1 à 2 s. L'écran affiche à présent le niveau de charge actuel et que la connexion de données a été interrompue.

Si vous utilisez un ordinateur Windows, vous pouvez également déconnecter le lecteur à partir de l'ordinateur. Pour ce faire, cliquez sur le symbole « Remove hardware safely » (Retirer le périphérique en toute sécurité) dans la barre des tâches de Windows. Sélectionnez maintenant le lecteur MP4 puis suivez les instructions de votre ordinateur pour confirmer le bon déroulement de la procédure.

Si vous utilisez un ordinateur Mac, déconnectez simplement le lecteur en faisant glisser l'icône du lecteur sur le symbole de la corbeille.

À présent, le câble USB peut être déconnecté en toute sécurité du lecteur et de l'ordinateur.

**Remarque** : ne retirez pas le lecteur de l'ordinateur si le transfert de fichiers entre les appareils n'est pas terminé. Vous risquez de perdre des données et d'endommager le support.



**AVERTISSEMENT** : Une écoute prolongée à un volume trop élevé peut causer des lésions auditives temporaires ou permanentes ou une perte de l'audition. L'utilisation du lecteur vidéo au volant n'est pas recommandée. L'auditeur peut être amené à baisser l'attention et s'exposer à des dangers comme l'approche d'un autre véhicule.

## 4. Fonctionnement

### A). Fonctionnement général

#### (1) Allumer et éteindre le lecteur

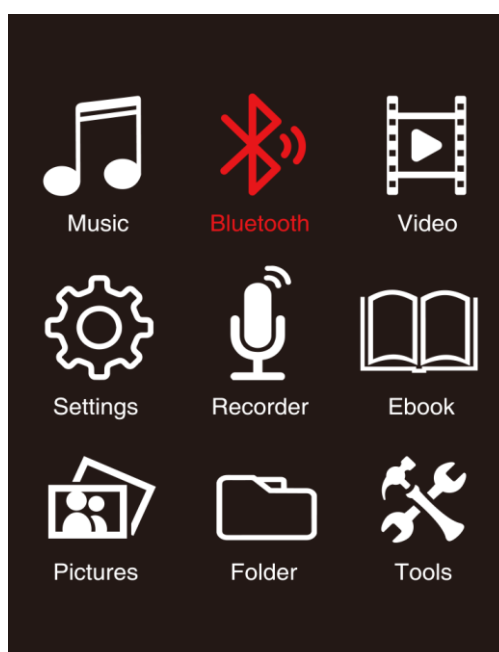
Appuyez sur le bouton MARCHE / ARRÊT situé sur la partie inférieure de l'appareil pour allumer / éteindre le lecteur.

Si le sélecteur est déjà sur la position ON, appuyez longuement sur la touche ►|| pendant 2 à 3 s.

#### (2) Menu principal

Une fois le lecteur en marche, le menu principal s'affiche à l'écran. Il comprend 9 rubriques de menu différentes :

Music (Musique), Bluetooth (Bluetooth), Video (Vidéo), Settings (Réglages), Recorder (Enregistreur), Ebook (Ebook), Pictures (Images), Folder (Dossier) et Tools (Outils).



### (3) Navigation

Parcourez les différents menus à l'aide des touches ►► ou ◀◀ et (M) ou (↩). Ouvrez la rubrique de menu désirée ou lancez la fonction désirée à l'aide de la touche ►. Appuyez brièvement sur la touche fléchée arrière ↩ pour revenir au niveau de menu précédent. Appuyez sur la touche fléchée arrière ↩ pendant 1 à 2 s pour revenir directement au menu principal.

## B). Bluetooth

(1) Naviguez dans le menu principal jusqu'au point de menu « Bluetooth » et confirmez votre sélection avec la touche ►. L'aperçu des dossiers s'ouvre. Sélectionnez les sous-menus à l'aide de la touche ►► ou ◀◀ et confirmez votre sélection à l'aide de la touche ►.

### (2) Fonctionnement

- Pour activer Bluetooth, sélectionnez « Bluetooth Switch Control » (commutateur) et appuyez sur le bouton ► pour entrer, sélectionnez « Bluetooth Open » (ouvrir Bluetooth) pour activer, il commencera à balayer automatiquement les dispositifs Bluetooth disponibles à proximité ;
- Pour rechercher manuellement un appareil Bluetooth, sélectionnez « Search Device » (Rechercher un appareil) et appuyez sur le bouton ► pour confirmer, l'appareil Bluetooth disponible apparaîtra dans la liste, appuyez sur le bouton ►► ou ◀◀ pour sélectionner l'appareil et appuyez sur le bouton ► pour commencer l'appairage.
- Une fois la connexion Bluetooth établie, revenez au menu « Music » (Musique) et commencez à écouter votre musique.
- Pour déconnecter l'appairage de l'appareil Bluetooth actuel, appuyez sur la touche ►► ou ◀◀ pour sélectionner « Device list » (Liste des appareils), appuyez sur la touche ► pour entrer et sélectionner l'appareil apparié, appuyez à nouveau sur la touche ► pour confirmer « Disconnect » (Déconnecter) ou non.

« Ce produit est doté d'une fonction de **transmission** Bluetooth, **vous ne pouvez pas l'utiliser pour recevoir de son Bluetooth** : cela signifie que vous pouvez transmettre sans fil un signal sonore Bluetooth à un appareil externe comme une enceinte Bluetooth, un casque Bluetooth, une chaîne audio avec réception Bluetooth... »

Ce produit fonctionne à une fréquence comprise entre 2 400 à 2 483,5 MHz et est destiné uniquement à être utilisé dans un environnement domestique normal. Ce produit convient à cet usage pour tous les pays de l'UE.

## 5. Caractéristiques techniques

Dimensions	104 x 47 x 10 mm
Poids	Environ 38 g
LCD	Écran couleur 2,4 pouces. Résolution : 240 x 320 pixels
Port de connexion	USB 2.0 (ordinateur)   USB type C port (lecteur)
Piles	Batterie lithium-polymère rechargeable. Capacité : 300 mA h
Bluetooth	Version 5.3, émetteur (TX)
SNR	> 85 dB
Format de musique	MP3, WMA, WAV, APE, FLAC
Format vidéo	AVI 320 x 240 pixels
Format photo	JPG, BMP, GIF
Température de fonctionnement	-5 à 55 °C
Système d'exploitation	Windows 7, 8, 8.1, 10, 11 ou Mac 10.x ou version supérieure

### Garantie

Commaxx B.V. propose un service et une garantie conformément à la législation européenne, ce qui signifie qu'en cas de besoin de réparation (aussi bien pendant et après la période de garantie), vous pouvez contacter le revendeur le plus proche.

Remarque importante : Il n'est pas possible de renvoyer l'appareil pour réparation directement à Commaxx B.V.

Remarque importante : Si l'appareil est ouvert ou modifié de quelque manière que ce soit par un réparateur non agréé, la garantie est annulée.

Cet appareil ne convient pas à une utilisation professionnelle. En cas d'utilisation professionnelle, les obligations de garantie du fabricant sont annulées.

### Clause de non-responsabilité

Des mises à jour du micrologiciel ou des composants matériels sont régulièrement effectuées. Ainsi, certaines instructions, spécifications et images de la présente documentation peuvent être légèrement différentes. Tous les éléments décrits dans ce manuel sont donnés uniquement à des fins d'illustration et peuvent ne pas s'appliquer à une situation particulière. Aucun droit juridique ou légal ne peut être obtenu à partir de la description faite dans ce manuel.



## Mise au rebut de l'appareil usagé



Ce symbole indique que le produit électrique concerné ainsi que les piles ne doivent pas être jetés avec les autres déchets ménagers en Europe. Pour assurer le traitement correct des déchets de l'appareil et des piles, il faut les éliminer conformément aux lois locales applicables sur l'élimination des équipements électriques et des piles. En faisant cela, vous contribuez à la conservation des ressources naturelles et à l'amélioration des normes de protection de l'environnement dans le traitement et l'élimination des déchets électriques (Directive sur les déchets d'équipements électriques et électroniques).

## DÉCLARATION DE CONFORMITÉ

Par la présente, Commaxx déclare que le type d'équipement radio auquel appartient [Lenco Xemio-860] est conforme à la directive 2014/53/UE. Le texte intégral de la déclaration de conformité UE est disponible à l'adresse Internet suivante :

[https://commaxx-certificates.com/doc/xemio-860\\_doc.pdf](https://commaxx-certificates.com/doc/xemio-860_doc.pdf)

Type RF	Plage de fréquences (MHz)	Puissance (dBm)
Bluetooth	2 402 à 2 480	< 6

## Service

Pour plus d'informations et en cas de besoin d'assistance, rendez-vous sur [www.lenco.com](http://www.lenco.com)  
Commaxx B.V. Wiebachstraat 37, 6466 NG Kerkrade, The Netherlands.

**PRECAUCIÓN:**

Un uso de los controles, unos ajustes o un rendimiento de los procedimientos distintos a los especificados aquí puede resultar en una exposición peligrosa a la radiación.

**PRECAUCIONES PREVIAS AL USO**

---

**TENGA ESTAS INSTRUCCIONES EN CUENTA:**

1. No cubra ni obstruya las aberturas de ventilación. Si coloca el dispositivo sobre una estantería, deje una separación de 5 cm (2") alrededor de todo el dispositivo.
2. Instálelo en conformidad con el manual del usuario incluido.
3. Mantenga el dispositivo apartado de fuentes de calor como radiadores, calentadores, estufas, velas y otros productos que generen calor o llamas abiertas. El dispositivo solo puede utilizarse en climas moderados. Deben evitarse los entornos muy fríos o cálidos. Funciona a temperaturas de entre -5 °C y 55 °C.
4. Evite utilizar el dispositivo cerca de campos magnéticos intensos.
5. Las descargas electrostáticas pueden perturbar el uso normal de este dispositivo. En tal caso, solo tiene que seguir el manual de instrucciones para restablecer y reiniciar el dispositivo. Durante la transmisión de archivos, por favor manéjelo con cuidado y opérelo en un entorno libre de electricidad estática.
6. ¡Advertencia! Nunca introduzca objetos en las aberturas o conductos de ventilación del producto. Alto voltaje fluye a través del producto e insertar un objeto puede provocar una descarga eléctrica o un cortocircuito en sus componentes internos. Por el mismo motivo, no derrame agua ni líquidos sobre el producto.
7. No lo utilice en áreas mojadas o húmedas, como cuartos de baño, cocinas con mucho vapor o cerca de piscinas.
8. No se debe exponer el dispositivo a goteos ni salpicaduras y debe asegurarse de que no haya objetos llenos de líquidos, como jarrones, encima ni cerca del aparato.
9. No utilice este dispositivo si puede haber condensación. Cuando se utilice la unidad en una sala cálida y húmeda, pueden aparecer gotas de agua o condensación dentro de la unidad y esta puede no funcionar correctamente; deje la unidad apagada durante 1 o 2 horas antes de encender la alimentación: la unidad debe estar seca antes de encenderla.
10. Aunque este dispositivo está fabricado con el máximo cuidado y se ha comprobado varias veces antes de salir de fábrica, todavía es posible que se puedan producir problemas, igual que con todos los aparatos eléctricos. Si detecta humo, una acumulación excesiva de calor o cualquier otro fenómeno inesperado, deberá desconectar inmediatamente el enchufe de la toma de corriente.
11. Este dispositivo debe estar conectado a una fuente de alimentación conforme a lo indicado en la etiqueta de especificaciones. Si no está seguro del tipo de fuente de alimentación de su hogar, consulte con su distribuidor o su empresa eléctrica local.
12. Manténgalo alejado de los animales. Algunos animales muerden los cables eléctricos.
13. Utilice un trapo suave y seco para limpiar el dispositivo. No utilice disolventes ni líquidos con base de gasolina. Puede usar un paño húmedo con detergente diluido para eliminar las manchas persistentes.
14. El proveedor no asume ninguna responsabilidad por daños o datos perdidos como consecuencia de un funcionamiento incorrecto, uso incorrecto, modificación del dispositivo o sustitución de la batería.

15. No interrumpa la conexión mientras se formatea el dispositivo o esté transfiriendo archivos. De lo contrario, los datos podrían quedar dañados o perderse.
16. Si la unidad tiene una función de reproducción USB, se debe conectar directamente el dispositivo de memoria USB a la unidad. No utilice cables de extensión USB ya que pueden crear interferencias que causen una pérdida de datos.
17. La etiqueta de clasificación está marcada en el panel inferior o trasero del dispositivo.
18. Este aparato no está diseñado para su uso por personas (incluyendo niños) con discapacidades físicas, sensoriales o mentales o con falta de experiencia o conocimientos, salvo que estén bajo supervisión o hayan recibido formación sobre el uso correcto del dispositivo por parte de una persona responsable de su seguridad.
19. Este producto está destinado únicamente al uso no profesional y no al uso comercial ni industrial.
20. Compruebe que la unidad está ajustada en una posición estable. Los daños causados por las vibraciones o sacudidas derivadas del uso del producto en una posición inestable o el incumplimiento de otras advertencias o precauciones incluidas en este manual del usuario no estarán cubiertos por la garantía.
21. Nunca retire la carcasa del dispositivo.
22. Nunca coloque el dispositivo sobre otros equipos eléctricos.
23. No permita que los niños accedan a las bolsas de plástico.
24. Utilice solo los accesorios especificados por el fabricante.
25. Solicite todo el trabajo de mantenimiento a personal de servicio cualificado. El dispositivo deberá ser reparado cuando quede dañado de cualquier forma, por ejemplo, si el cable de alimentación o el enchufe están dañados, se ha derramado líquido o han caído objetos sobre él, ha quedado expuesto a la lluvia o a la humedad, no funciona con normalidad, o se ha caído al suelo.
26. La exposición prolongada a sonidos fuertes de reproductores personales de música puede provocar una pérdida temporal o permanente de audición.
27. Si el producto incluye un cable de alimentación o un adaptador de CA:
  - Si hubiera algún problema, desconecte el cable de CA y solicite su mantenimiento al personal cualificado.
  - No pise ni pellizque el adaptador de corriente. Tenga mucho cuidado, en especial cerca de los enchufes y el punto de salida del cable. No coloque objetos pesados sobre el adaptador de corriente, ya que podría dañarlo. ¡Mantenga todo el dispositivo fuera del alcance de los niños! Si juegan con el cable de alimentación, pueden sufrir lesiones graves.
  - Desenchufe el dispositivo durante tormentas eléctricas o si no se utiliza durante largos periodos.
  - La toma debe estar instalada cerca del equipo y ser fácilmente accesible.
  - No sobrecargue las tomas de CA ni los cables de extensión. Una sobrecarga podría provocar un incendio o una descarga eléctrica.
  - Los dispositivos con una construcción de clase 1 deben estar conectados a una toma eléctrica con conexión a tierra protectora.
  - Los dispositivos con una construcción de clase 2 no requieren una conexión a tierra.
  - Sujete siempre el enchufe cuando lo extraiga de la toma de corriente. No estire del cable eléctrico. Podría provocar un cortocircuito.
  - No utilice cables de alimentación o enchufes deteriorados o tomas sueltas. Podría provocar un incendio o descarga eléctrica.
28. Si el producto contiene o se entrega con un mando a distancia que contiene pilas de botón:

#### Advertencia:

- «No ingiera la pila, existe riesgo de quemaduras químicas» o equivalente.
- [Mando a distancia incluido] Este producto contiene una pila de botón. En caso de ingesta de la pila, puede provocar quemaduras internas graves en menos de 2 horas que pueden provocar la muerte.
- Mantenga las pilas nuevas y usadas fuera del alcance de los niños.
- Si el compartimento de las pilas no cierra bien, deje de usar el producto y manténgalo fuera del alcance de los niños.
- Si cree que puede haber ingerido una pila, solicite inmediatamente atención médica.

#### 29. Precauciones sobre el uso de las pilas:

- Existe peligro de explosión si se sustituye la pila por una de tipo incorrecto. Sustitúyalas únicamente por pilas del mismo tipo o equivalentes.
- No se puede someter las pilas a temperaturas muy altas o bajas, ni a presiones de aire bajas a altitudes altas durante el uso, almacenamiento o transporte.
- La sustitución de una pila por una de tipo incorrecto puede resultar en una explosión o fuga del líquido o gas inflamable.
- Arrojar una pila al fuego o a un horno caliente, o aplastarla o cortarla con medios mecánicos, puede resultar en una explosión.
- Dejar una pila en un entorno con temperaturas muy altas puede resultar en una explosión o fuga del líquido o gas inflamable.
- Someter una pila a presiones de aire muy bajas puede resultar en una explosión o la fuga del líquido o gas inflamable.
- Se debe prestar atención a los aspectos medioambientales sobre la eliminación de baterías.

## INSTALACIÓN

- Desempaquete todas las piezas y retire el material protector.
- No conecte la unidad a la corriente sin comprobar la tensión eléctrica y que se han hecho todas las demás conexiones.

## Finalidad de uso

Este dispositivo sirve para reproducir archivos de música en formato MP3, WMA, WAV, APE y FLAC, además de archivos de vídeo en formato AVI con una resolución de 240\*320 y archivos de foto en formato JPG, GIF y BMP.

Este producto no está diseñado para usos comerciales ni para aplicaciones médicas y especiales en las que el fallo del producto pueda causar lesiones, la muerte o daños materiales importantes.

La responsabilidad cesará en caso de utilización no conforme con el uso previsto.

Está prohibido abrir y modificar el dispositivo, así como usar equipos y accesorios adicionales que no hayan sido aprobados por nosotros.

No utilice el dispositivo en condiciones ambientales extremas y respete las instrucciones de seguridad. No cumplir con la información y las instrucciones de seguridad recogidas en este manual se considerará un incumplimiento de la finalidad de uso y hará que se anule la responsabilidad, además de que se puedan causar lesiones o daños materiales.

## Descargar el manual del usuario

- Para ayudar a proteger el medio ambiente, el Manual del usuario detallado se guarda en la carpeta "UTILITIES (UTILIDADES) > User Manual (Manual del usuario)" de la memoria interna. Para abrirlo es necesario descargarlo en el ordenador. También se puede descargar desde nuestra página web desde [www.lenco.com/...downloads](http://www.lenco.com/...downloads).

**Nota:** Para abrir el manual de usuario, el ordenador necesita tener instalado un lector de pdf. Puede descargar un lector pdf desde el siguiente enlace <http://get.adobe.com/reader/>

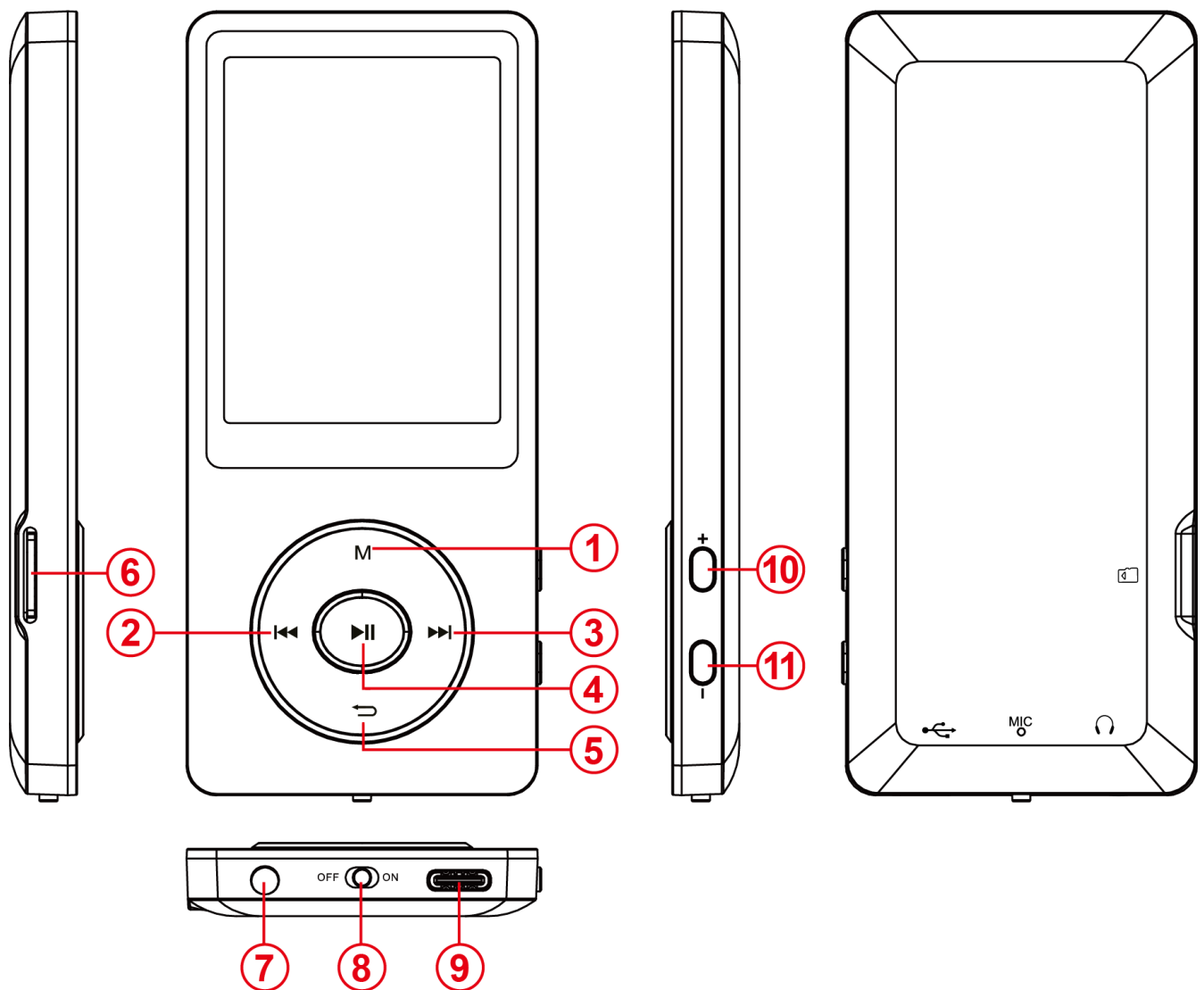


**Advertencia:** Utilizar un reproductor de música mientras conduce puede hacer que sea menos consciente de los potenciales peligros, como los coches que se acercan.



**Advertencia:** Para evitar posibles daños auditivos, no utilice el volumen alto durante mucho tiempo.

## 1. Vista general del dispositivo



<b>(1) Menú</b>	Pulse para acceder a los submenús
<b>(2) Última</b>	Pulsar: Última pista; Mantener pulsado: Rebobinar rápido
<b>(3) Siguiente</b>	Pulsar: Siguiente pista; Mantener pulsado: Avanzar rápido
<b>(4) Reproducir/Pausar</b>	Pulsar: Reproducir/pausar la música; Mantener pulsado: Encender/apagar el reproductor
<b>(5) Volver</b>	Pulse para volver al menú o a la interfaz anterior
<b>(6) Ranura para tarjetas</b>	Admite tarjetas microSD (o tarjetas TF)
<b>(7) Conector para auriculares</b>	Enchufe de $\phi 3,5$ mm para conectar auriculares
<b>(8) Encendido/apagado</b>	Deslízelo para encender/apagar el reproductor
<b>(9) Puerto USB</b>	USB TIPO-C para la carga y la transferencia de datos
<b>(10) Volumen +</b>	Pulse para subir el volumen; mantenga pulsado para subir el volumen rápidamente
<b>(11) Volumen -</b>	Pulse para bajar el volumen; mantenga pulsado para bajar el volumen rápidamente

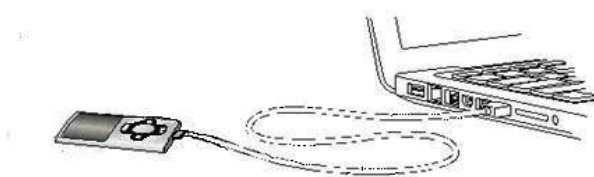
## 2. Contenido del paquete

Compruebe que el contenido del paquete está completo

- Reproductor MP4 con Bluetooth
- Auriculares estéreo
- Cable USB
- Manual del usuario

## 3. Conexión a un ordenador

Para transferir archivos entre su reproductor y un ordenador, tan solo necesita conectarlos usando el cable USB proporcionado.



### a) Conexión del dispositivo

Para conectar el reproductor al ordenador, inserte un extremo del cable USB en un puerto libre del ordenador encendido y el otro extremo en el reproductor. Se reconocerá como medio extraíble y estará listo para la transferencia de datos con el ordenador.

Ahora puede transferir archivos de forma sencilla del ordenador al reproductor y viceversa arrastrándolos y soltándolos o copiándolos y pegándolos.

### b) Desconexión del dispositivo

Antes de desconectar el cable USB, asegúrese de que la conexión de datos entre dispositivos ha terminado.

Para ello, pulse el botón **M** durante 1 o 2 segundos. La pantalla mostrará el nivel de carga actual y la conexión de datos habrá terminado.

Si usa un PC Windows, el reproductor también se puede desconectar desde este. Para ello, haga clic en el símbolo de «Remove hardware safely» (Quitar hardware de forma segura) de la barra de tareas de Windows. Ahora seleccione el reproductor MP4 y siga las instrucciones de su ordenador hasta que confirme que el proceso ha tenido éxito.

Si usa un Mac, puede desconectar el reproductor arrastrando el icono de este en el símbolo de la papelera.

Entonces podrá retirar el cable de forma segura del reproductor y el ordenador.

**Nota:** No desconecte el reproductor del ordenador si no ha finalizado la transferencia de archivos entre los dispositivos. Eso podría provocar la pérdida de los datos y dañar el medio.



**ADVERTENCIA:** Una exposición prolongada a música excesivamente alta puede provocar daños auditivos o la pérdida de la audición temporal o permanentemente. No se recomienda usar el reproductor de vídeo en situaciones con tráfico. Puede hacer que el usuario no reaccione con la debida atención ante peligros potenciales, como vehículos que se aproximan.

## 4. Funcionamiento

### A) Funcionamiento general

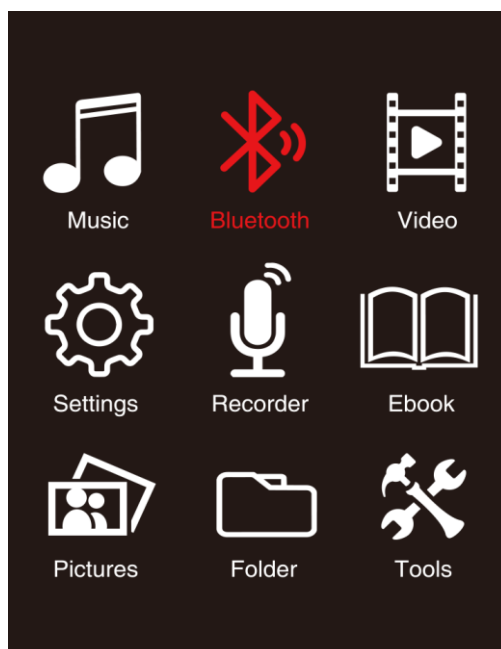
#### (1) Encendido y apagado del reproductor

Pulse el botón ON/OFF en la parte inferior del aparato para encender o apagar el reproductor. Si el interruptor ya está en la posición de encendido, mantenga pulsado el botón ►► durante 2-3 s.

#### (2) El menú principal

Después de encender el reproductor, aparecerá el menú principal. Consiste en 9 elementos de menú diferentes:

Music (Música), Bluetooth, Video (Vídeo), Settings (Ajustes), Recorder (Grabador), Ebook, Pictures (Imágenes), Folder (Carpeta) y Tools (Herramientas).



#### (3) Navegación

Con los botones ►► o ◀◀ y (M) o (↶), puede navegar a través de los diferentes menús. Con el botón ►►, puede abrir el elemento de menú deseado o utilizar la función deseada. Pulse el botón



↩ para volver al nivel anterior. Pulse el botón ↩ durante 1 o 2 segundos para volver al menú principal directamente.

## B) Bluetooth

**(1)** Desplácese en el menú principal hasta la opción de menú «Bluetooth» y confirme su selección con el ►| botón . Se abrirá la vista general de la carpeta. Seleccione con la tecla ►| o ◀◀ los submenús y confirme su selección con la tecla ►| .

### **(2)** Funcionamiento

- Para activar Bluetooth, seleccione 'Bluetooth Switch Control' (Control de Bluetooth) y pulse el botón ►| para entrar, seleccione 'Bluetooth Open' (Activar Bluetooth) para activarlo, empezará a escanear automáticamente los dispositivos Bluetooth cercanos disponibles;
- Para buscar manualmente un dispositivo Bluetooth, seleccione 'Search Device' (Buscar dispositivo) y pulse el ►| botón para confirmar, el dispositivo Bluetooth disponible aparecerá en la lista, pulse el botón ►| o ◀◀ para seleccionar el dispositivo y pulse el ►| botón para iniciar el emparejamiento.
- Cuando el dispositivo Bluetooth se conecte de forma correcta, vuelva al menú «Music (Música)» y empiece a disfrutar.
- Para desemparejar el dispositivo Bluetooth actual, pulse el botón ►| o ◀◀ para seleccionar 'Device List' (Lista de dispositivos), pulse el ►| botón para entrar y seleccionar el dispositivo emparejado, pulse de nuevo el ►| botón para confirmar 'Disconnect' (Desconectar) o no.

«Este producto tiene una función de **transmisión** de Bluetooth, **no puede recibir sonido por Bluetooth en él**: esto significa que solo puede transmitir una señal de sonido por Bluetooth a un dispositivo externo, como un altavoz o unos auriculares Bluetooth, un sistema de audio con Bluetooth, etc.»

Este producto funciona a 2400 - 2483,5 MHz y está diseñado para ser utilizado únicamente dentro de un entorno doméstico normal. Este producto es adecuado para este propósito en todos los países europeos.

## 5. Datos técnicos

Dimensiones	104 mm x 47 mm x 10 mm
Peso	~38 g
LCD	Pantalla de 2,4 pulgadas a color, resolución: 240 x 320 píxeles
Conexión al PC	USB 2.0 (PC)   Puerto USB TIPO-C (reproductor)
Batería	Batería recargable de polímero de litio, capacidad: 300 mAh
Bluetooth	Versión 5.3, Transmisor (TX)
S/R	>85 dB
Formato de música	MP3 / WMA / WAV / APE / FLAC
Formato de vídeo	AVI 320 x 240 píxeles
Formato de imagen	JPG / BMP / GIF
Temperatura de funcionamiento	Entre -5 y 55° Celsius
Sistema operativo	Windows 7 / 8 / 8.1 / 10 / 11 / Mac 10.x o superior

### Garantía

Commaxx B.V. ofrece servicio y garantía en conformidad con las leyes europeas, por lo que en caso de requerir una reparación (tanto durante como después del periodo de garantía) debe ponerse en contacto con su distribuidor local.

Nota importante: No es posible enviar directamente a Commaxx B.V. los productos que necesiten reparación.

Nota importante: Si se abre la unidad o se accede a su interior en modo alguno en un centro de mantenimiento no oficial, la garantía quedará anulada.

El dispositivo no es adecuado para un uso profesional. En caso de realizar un uso profesional, todas las obligaciones de garantía del fabricante quedarán anuladas.

### Aviso legal

Se realizan actualizaciones del firmware y/o componentes de hardware de manera periódica. Por tanto, algunas instrucciones, especificaciones e imágenes de estos documentos podrían diferir ligeramente de su modelo concreto. Todos los elementos descritos en esta guía son únicamente para fines ilustrativos y pueden no corresponderse a su modelo concreto. Las descripciones de este manual no otorgarán ningún derecho legal.

## Eliminación de un dispositivo usado



Este símbolo indica que el producto eléctrico o batería pertinente no debe eliminarse con los residuos domésticos generales en Europa. Para garantizar un tratamiento correcto de los residuos del producto y las pilas, elimínelos en conformidad con las leyes locales vigentes para la eliminación de equipos eléctricos y pilas. Al hacerlo, ayudará a preservar los recursos naturales y mejorar los niveles de protección del medio ambiente en el tratamiento y eliminación de residuos eléctricos (Directiva sobre residuos de aparatos eléctricos y electrónicos).

## DECLARACIÓN DE CONFORMIDAD

Por el presente, Commaxx declara que el equipo de radio tipo [Lenco Xemio-860] cumple con la directiva 2014/53/UE. El texto completo de la declaración UE de conformidad está disponible en la siguiente dirección de Internet:

[https://commaxx-certificates.com/doc/xemio-860\\_doc.pdf](https://commaxx-certificates.com/doc/xemio-860_doc.pdf)

Tipo de	Rango de frecuencia (MHz)	Potencia (dBm)
Bluetooth	2402-2480	<6

## Servicio

Para más información y atención al cliente, visite [www.lenco.com](http://www.lenco.com)  
Commaxx B.V. Wiebachstraat 37, 6466 NG Kerkrade, The Netherlands.

**FORSIGTIG:**

Hvis enheden ikke anvendes, justeres og behandles i overensstemmelse med brugervejledningen, kan det resultere i farlig stråling.

**FORHOLDSREGLER FØR IBRUGTAGNING**

---

**HUSK DISSE ANVISNINGER:**

1. Tildæk eller blokér ikke ventilationsåbningerne. Hvis enheden placeres på en hylde, skal der altid være 5 cm (2") frirum på alle sider af enheden.
2. Installér enheden iht. anvisningerne i den medfølgende brugervejledning.
3. Hold enheden på afstand af varmekilder som fx radiatorer, varmeapparater, ovne, stearinlys og andre varmegenerende produkter samt åben ild. Enheden er udelukkende til brug i tempererede klimazoner. Undgå stærk varme og kulde. Driftstemperatur mellem -5 °C og 55°C.
4. Undlad at anvende enheden nær stærke magnetfelter.
5. Elektrostatisk udladning kan forstyrre denne enheds normale drift. Sker det, skal du blot nulstille og genstarte enheden i henhold til anvisningerne i brugervejledningen. Under filoverførsel skal du handle med omhu og betjene enheden i et område fri for statisk elektricitet.
6. Advarsel! Stik aldrig genstande ind i enheden gennem ventilationsåbninger eller sprækker. Produktet indeholder strømførende dele, og hvis du stikker en genstand ind i enheden, kan det medføre elektrisk stød og/eller kortslutning af de indre dele. Af samme grund må du ikke spilde vand eller væske på produktet.
7. Benyt ikke enheden på våde eller fugtige steder som fx på et badeværelse, i et dampfyldt køkken eller nær en swimmingpool.
8. Enheden må ikke udsættes for dryp eller stænk. Der må ikke anbringes genstande fyldt med væske, som fx vaser, på eller i nærheden af apparatet.
9. Brug ikke enheden på steder, hvor der kan opstå kondens. Hvis enheden placeres i et varmt og fugtigt rum, kan der danne sig vanddråber eller kondens inde i den, og den kan muligvis ikke fungere korrekt. Lad enheden stå slukket i 1 - 2 timer, inden du tænder den. Enheden skal være tør, når der tændes for strømmen.
10. Trods det, at enheden er fremstillet med yderste omhu og kontrolleret flere gange før afsendelse fra fabrikken, kan det stadig forekomme, som med alle elektriske apparater, at der opstår problemer. Hvis du oplever røg eller overdreven varmeudvikling eller andre uventede fænomener, bør du omgående tage stikket ud af stikkontakten.
11. Denne enhed skal drives af en strømkilde som den, der er angivet på mærkepladen. Hvis du ikke er sikker på, hvilken forsyningsspænding, der anvendes i dit hjem, bør du søge vejledning hos din forhandler eller det lokale elselskab.
12. Hold enheden udenfor dyrs rækkevidde. Nogle kæledyr kan finde på at bide i strømkabler.
13. Rengør enheden med en blød, tør klud. Brug ikke opløsningsmidler eller benzinbaserede væsker. Hårdnakkede pletter kan fjernes med en let fugtet klud med en mild sæbeopløsning.
14. Producenten er ikke ansvarlig for skade eller mistede data, der skyldes fejlfunktion, misbrug, ændringer af enheden eller udskiftning af batterier.

15. Undlad at afbryde forbindelsen, mens enheden formateres, eller der overføres filer. I modsat fald kan data blive beskadiget eller gå tabt.
16. Hvis enheden er udstyret med funktion til USB-afspilning, skal USB-sticken sættes direkte i apparatet. Brug ikke et USB-forlængerkabel, da et sådant kan skabe interferens og føre til tab af data.
17. Mærkepladen findes i bunden eller på bagsiden af enheden.
18. Denne enhed må ikke bruges af personer (inkl. børn) med nedsatte fysiske motoriske eller mentale evner eller manglende erfaring, medmindre de er blevet instrueret i brugen af en person, der er ansvarlig for deres sikkerhed, og er under dennes opsyn.
19. Produktet er udelukkende beregnet til ikke-professionel brug, ikke til kommerciel eller industriel anvendelse.
20. Sørg for, at enheden er placeret stabilt. Skade, der skyldes anvendelse af produktet i en ustabil position, vibrationer, stød eller manglende overholdelse af de retningslinjer og andre advarsler, der er udstukket i denne brugervejledning, dækkes ikke af garantien.
21. Åbn aldrig enhedens kabinet.
22. Placér aldrig denne enhed ovenpå andet elektrisk udstyr.
23. Lad ikke børn få adgang til plastposer.
24. Brug kun tilslutninger/tilbehør, der er angivet af producenten.
25. Overlad alt servicearbejde til et kvalificeret serviceværksted. Service er påkrævet, hvis enheden på nogen måde er blevet beskadiget, hvis fx strømkablet eller stikket er beskadiget, hvis der er spildt væske på enheden, eller hvis en genstand er faldet ned i den, hvis enheden har været udsat for regn eller fugt, ikke fungerer korrekt eller er blevet tabt.
26. Langvarig lytning til musik ved høj lydstyrke kan medføre midlertidigt eller permanent høretab.
27. Hvis produktet leveres med strømkabel eller strømforsyning til vekselstrøm:
  - Hvis der opstår problemer, skal du tage stikket ud af kontakten og overlade al service til kvalificeret tekniker.
  - Undlad at træde på eller klemme strømforsyningen. Vær forsigtig, især nær de steder, hvor stik og kabler er fastgjort. Undlad at placere tunge genstande på strømforsyningen, da dette vil kunne beskadige den. Hold hele enheden udenfor børns rækkevidde! Hvis børn leger med strømkabler, kan de komme slemt til skade.
  - Tag stikket ud af stikkontakten i tordenvejr, samt hvis du ikke skal bruge enheden i længere tid.
  - Enheden skal placeres nær stikkontakten, og der skal altid være let adgang til den stikkontakt, enheden er tilsluttet.
  - Undlad at overbelaste stikkontakter eller forlængerledninger. Overbelastning kan medføre brand eller elektrisk stød.
  - Enheder med klasse 1-opbygning bør forbindes til en stikkontakt med jord.
  - Enheder med klasse 2-opbygning kræver ikke jordforbindelse.
  - Hold altid i stikket, når du tager det ud af stikkontakten. Træk ikke i ledningen. Dette kan medføre kortslutning.
  - Brug ikke en beskadiget ledning eller stik eller en løs stikkontakt. Gør du det, kan det medføre brand eller elektrisk stød.
28. Hvis produktet indeholder eller leveres med en fjernbetjening indeholdende knapcellebatterier:

Advarsel:

  - "Slug ikke batteriet, der er risiko for kemisk forbrænding" eller tilsvarende.

- [Fjernbetjeningen leveret med] dette produkt indeholder et knapcellebatteri. Hvis batteriet sluges, kan det medføre alvorlige indre forbrændinger på blot 2 timer, hvilket kan medføre dødsfald.
- Hold nye og brugte batterier udenfor børns rækkevidde.
- Hvis batterirummet ikke kan lukkes sikkert, skal du holde op med at bruge produktet og holde det udenfor børns rækkevidde.
- Hvis du tror, et batteri kan være blevet slugt eller placeret inden i nogen del af kroppen, skal du omgående søge lægehjælp.

#### 29. OBS ved brug af batterier:

- Eksplosionsfare, hvis batteriet udskiftes med et andet af forkert type. Udskift udelukkende med samme eller tilsvarende type.
- Batteriet må ikke udsættes for ekstremt høje eller lave temperaturer eller lavt lufttryk ved stor højde under brug, opbevaring eller transport.
- Udskiftning af et batteri med et andet af forkert type kan medføre eksplosion eller lækage af brændbar væske eller gas.
- Bortskaffelse af batterier ved afbrænding eller i en varm ovn eller ved mekanisk knusning eller opskæring af et batteri kan medføre en eksplosion.
- Hvis et batteri efterlades i omgivelser med ekstremt høje temperaturer, kan det medføre eksplosion eller lækage af brændbar væske eller gas.
- Hvis et batteri udsættes for ekstremt lavt lufttryk, kan det medføre eksplosion eller lækage af brændbar væske eller gas.
- Tænk på miljøet ved bortskaffelse af brugte batterier.

## INSTALLATION

- Udpak alle dele, og fjern beskyttelsesmaterialerne.
- Slut ikke enheden til lysnettet, før du har kontrolleret forsyningsspændingen og foretaget alle nødvendige tilslutninger.

## Tilsigtet brug

Enheden bruges til at afspille musikfiler i formatet MP3, WMA, WAV, APE og FLAC, videofiler i AVI-formatet med en opløsning på 240x320 pixels og billedfiler i formatet JPG, GIF og BMP.

Enheden er ikke beregnet til kommerciel anvendelse eller til medicinsk anvendelse eller særlige anvendelser, hvor fejl på enheden kan medføre personskaade, død eller store skader på ejendom.

Ansaret bortfalder i tilfælde af, at anvendelsen ikke er i overensstemmelse med den tilsigtede anvendelse.

Åbning og ændring af enheden samt brug af ekstraudstyr og tilbehør, som ikke er godkendt af os, er forbudt.

Brug ikke enheden under ekstreme miljømæssige forhold, og følg sikkerhedsanvisningerne. Manglende efterlevelse af oplysninger og sikkerhedsanvisninger i denne vejledning anses for at udgøre manglende overholdelse af den tilsigtede anvendelse og medfører bortfald af ansvar samt kan medføre personskaade eller skade på ejendom.

## Download af brugervejledning

- For at hjælpe med at skåne miljøet er den detaljerede brugervejledning gemt i mappen med navnet "UTILITIES > User Manual" i den indbyggede hukommelse. Du skal downloade vejledningen til din computer, hvis du vil åbne den. Du kan også downloade vejledningen fra vores websted: [www.lenco.com/...downloads](http://www.lenco.com/...downloads).

**Bemærk:** Der skal være installeret en pdf-læser på computeren for at åbne brugervejledningen. Du kan downloade en gratis pdf-læser fra <http://get.adobe.com/reader/>

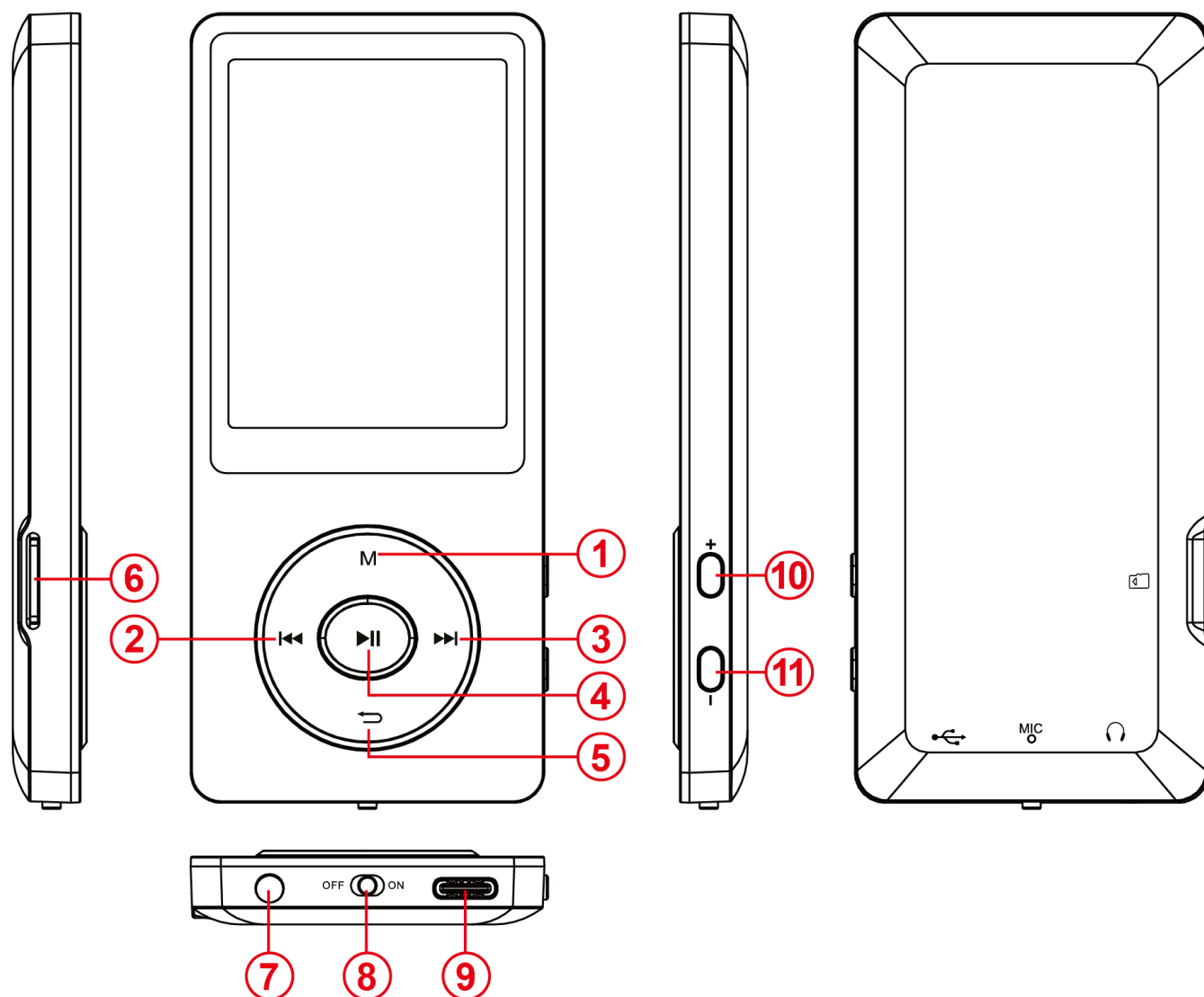


**ADVARSEL:** Når du lytter til en personlig musikafspiller i trafikken, kan din opmærksomhed på mulige risici såsom biler, der kører i modsat retning, blive reduceret.



**ADVARSEL:** Undgå risiko for høreskader ved aldrig at lytte ved høj lydstyrke i længere tid ad gangen.

## 1. Overblik over enhed



<b>(1) Menu</b>	Kort tryk for at åbne undermenuerne
<b>(2) Sidste</b>	Kort tryk: Sidste musiknummer. Langt tryk: Spol hurtigt tilbage
<b>(3) Næste</b>	Kort tryk: Næste musiknummer. Langt tryk: Spol hurtigt frem
<b>(4) Afspil/Sæt på pause</b>	Kort tryk: Afspil/Sæt musikken på pause. Langt tryk: Tænd/Sluk afspilleren
<b>(5) Tilbage</b>	Kort tryk for at vende tilbage til den forrige menu eller skærm
<b>(6) Kortholder</b>	Understøtter microSD-kort (eller TF-kort)
<b>(7) Stik til øretelefoner</b>	Stik med en diameter på 3,5 mm til øretelefoner
<b>(8) TÆND/SLUK</b>	Skub for at tænde/slukke afspilleren
<b>(9) USB-port</b>	USB TYPE-C til genopladning og dataoverførsel
<b>(10) Vol +</b>	Kort tryk for at forøge lydstyrken. Langt tryk for hurtig forøgelse af lydstyrken
<b>(11) Vol -</b>	Kort tryk for at reducere lydstyrken. Langt tryk for hurtig reduktion af lydstyrken



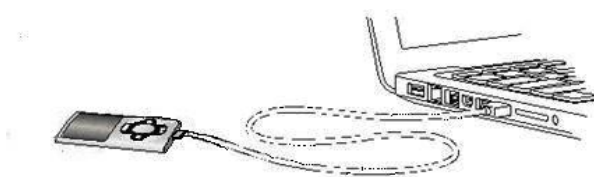
## 2. Pakkens indhold

Kontrollér, at alt indhold er til stede i pakken

- MP4-afspiller med Bluetooth
- Stereoøretelefoner
- USB-kabel
- Brugervejledning

## 3. Tilslutning til computer

Slut din afspiller til en computer ved hjælp af det medfølgende USB-kabel for at udveksle filer mellem afspilleren og computeren.



### a) Tilslutning af enhed

Sæt USB-kablet i en ledig USB-port på den tændte computer og i USB-porten på afspilleren for at slutte afspilleren til computeren. Den genkendes nu som et flytbart medie og er klar til dataoverførsel til/fra computeren.

Du kan nu overføre filer mellem computeren og din afspiller ved at bruge funktionerne "Drag and Drop" (Træk og slip) eller "Copy and Paste" (Kopier og indsæt).

### b) Afbrydelse af enhed

Før du fjerner USB-kablet, skal du kontrollere, at dataforbindelsen mellem enhederne er afbrudt! Det gør du ved at trykke på knappen **M** i 1-2 sekunder. Skærmen viser nu det aktuelle opladningsniveau, og dataforbindelsen er afbrudt.

Hvis du bruger en pc med Windows, kan afspilleren også afbrydes via computeren. Det gør du ved at klikke på ikonet "Remove hardware safely" (Fjern enhed sikkert) i proceslinjen i Windows. Vælg MP4-afspilleren, og følg din computers anvisninger, indtil udførelsen af processen bekræftes.

Hvis du bruger en Mac-computer, kan du afbryde afspilleren ved at trække ikonet for afspilleren over i papirkurven.

Du kan nu fjerne USB-kablet fra afspilleren og computeren.

**Bemærk:** Fjern ikke afspilleren fra computeren, hvis overførslen af filer mellem enhederne ikke er afsluttet. Det kan medføre tab af data og beskadige mediet.



**ADVARSEL:** Lang eksponering for meget høj musik kan medføre midlertidige eller varige høreskader eller tab af hørelse. Det anbefales ikke at bruge videoafspilleren under kørsel. Det kan medføre, at lytteren kan reagere uagtsomt over for potentielle farer såsom køretøjer i modsat køreretning.

## 4. Betjening

### A). Standardbetjening

#### (1) Sluk/Tænd afspilleren

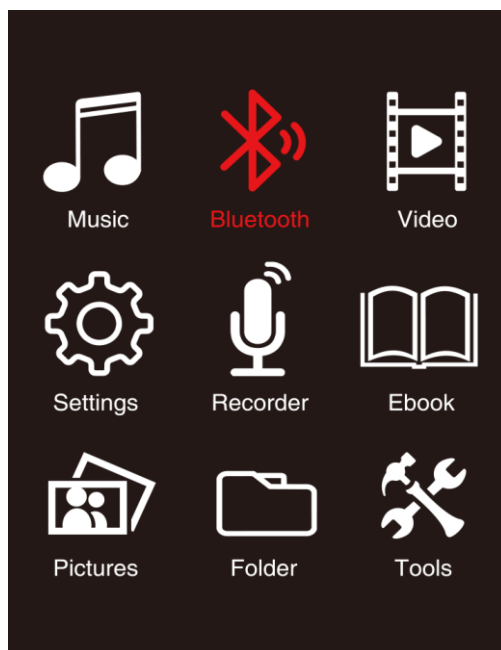
Tryk på ON/OFF-knappen i bunden af enheden for at tænde/slukke for afspilleren.

Hvis knappen allerede er i stillingen for tændt tilstand, skal du trykke på knappen ► i 2-3 sekunder.

#### (2) Hovedmenu

Hovedmenuen vises, når afspilleren tændes. Menuen indeholder ni forskellige menupunkter:

Music (Musik), Bluetooth, Video, Settings (Indstillinger), Recorder (Optager), EBook (e-bog), Pictures (Billeder), Folder (Mappe) og Tools (Redskaber).



#### (3) Navigation

Med knappen ►► eller ◀◀ og (M) eller (↶) kan du navigere i de forskellige menuer. Med knappen ► kan du åbne det ønskede menupunkt eller starte en ønsket funktion. Tryk kort på knappen ↶ Pil tilbage for at vende tilbage til det forrige niveau. Tryk på knappen ↶ Pil tilbage i 1-2 sekunder for direkte at vende tilbage til hovedmenuen.

## B). Bluetooth

**(1)** Navigér i hovedmenuen til menupunktet "Bluetooth", og bekræft dit valg med knappen ►|. Mappeoversigten åbnes. Vælg undermenuerne med knappen ►► eller ◀◀ og bekræft dit valg med knappen ►|.

### **(2)** Betjening

- For at aktivere Bluetooth skal du vælge "Bluetooth Switch Control" og trykke på knappen ►| for at gå ind, vælge "Bluetooth Open" (Åbn Bluetooth) for at aktivere, så begynder den automatisk at scanne de tilgængelige Bluetooth-enheder, der er i nærheden;
- Hvis du vil søge manuelt efter en Bluetooth-enhed, skal du vælge "Search Device" (Søg enhed) og trykke på knappen ►| for at bekræfte. Den tilgængelige Bluetooth-enhed vises på listen, tryk på knappen ►► eller ◀◀ for at vælge enheden, og tryk på knappen ►| for at starte parringen.
- Vend tilbage til menuen 'Music' (Musik), og nyd musikken, når Bluetooth-enheden er tilsluttet.
- For at afbryde parringen af den aktuelle Bluetooth-enhed skal du trykke på knappen ►► eller ◀◀ for at vælge "Device list" (Liste over enheder), trykke på knappen ►| for at gå ind og vælge den parrede enhed, trykke på knappen ►| igen for at bekræfte "Disconnect" (Afbryd) eller ej.

“Dette produkt har en Bluetooth **sende**-funktion, **du kan ikke modtage lyd via Bluetooth med det**. Det betyder, at du kan sende trådløse Bluetooth lydssignaler til en ekstern enhed, som fx en Bluetooth-højttaler, Bluetooth-hovedtelefoner, lydssystem med Bluetooth-modtagelse...”

Dette produkt fungerer på 2400 - 2483,5 MHz og er kun beregnet til at blive brugt i et normalt boligmiljø. Dette produkt er velegnet til dette formål i alle EU-lande.

## 5. Tekniske data

Mål	104 mm x 47 mm x 10 mm
Vægt	38 g
LCD-skærm	2,4 tommer farveskærm. Opløsning: 240 x 320 pixels
PC-tilslutning	USB 2.0 (PC)   USB TYPE-C-port (afspiller)
Batteri	Genopladeligt li-polymer-batteri. Kapacitet: 300 mAh
Bluetooth	Version 5.3, Transmitter (TX)
Signal-støj-forhold	> 85 dB
Musikformat	MP3/WMA/WAV/APE/FLAC
Videoformat	AVI, 320 x 240 pixels
Billedformat	JPG/BMP/GIF
Driftstemperatur	-5 °C til 55 °C
Operativsystem	Windows 7 / 8 / 8.1 / 10 / 11 / macOS 10.x eller højere

## Garanti

Commaxx B.V. tilbyder service og garanti i overensstemmelse med europæisk lovgivning, hvilket betyder, at i tilfælde af reparation (både under og efter garantiperiodens udløb) bør du kontakte din lokale forhandler.

Vigtig meddelelse: Det er ikke muligt at sende produktet direkte til Commaxx B.V., hvis det kræver reparation.

Vigtig meddelelse: Hvis enheden åbnes eller på nogen måde tilgås af et ikke-godkendt servicecenter, bortfalder garantien.

Denne enhed er ikke egnet til professionel brug. I tilfælde af professionel brug bortfalder alle garantiforpligtelser fra producentens side.

## Ansvarsfraskrivelse

Firmware og/eller hardwarekomponenter opdateres regelmæssigt. Derfor kan visse dele af vejledningen, specifikationerne og illustrationerne i vejledningen variere en smule fra dit faktiske produkt. Alle elementer, der beskrives i denne vejledning, er kun til illustration og gælder måske ikke i den givne situation. Ingen juridisk ret eller rettighed kan opnås fra beskrivelsen i denne vejledning.

## Bortskaffelse af udtjente enheder



Dette symbol angiver, at det relevante elektriske produkt eller batteri indenfor Europa ikke må bortskaffes med almindeligt husholdningsaffald. For at sikre korrekt affaldsbehandling af produktet og batteriet skal du bortskaffe dem i overensstemmelse med gældende lokal lovgivning om bortskaffelse af elektrisk udstyr eller batterier. På den måde hjælper du med at bevare naturressourcer og forbedre miljøbeskyttelsen indenfor behandling og bortskaffelse af elektrisk affald (Direktiv om affald af elektrisk og elektronisk udstyr).

## OVERENSSTEMMELSESERKLÆRING

Hermed erklærer Commaxx, at radioudstyrstypen [Lenco Xemio-860] er i overensstemmelse med EU-direktiv 2014/53/EU. EU-overensstemmelseserklæringens fulde tekst kan findes på følgende internetadresse:

[https://commaxx-certificates.com/doc/xemio-860\\_doc.pdf](https://commaxx-certificates.com/doc/xemio-860_doc.pdf)

Type RF	Frekvensområde (MHz)	Effekt (dBm)
Bluetooth	2402 - 2480	< 6

## Service

Gå ind på [www.lenco.com](http://www.lenco.com) for yderligere oplysninger og support fra vores helpdesk Commaxx B.V. Wiebachstraat 37, 6466 NG Kerkrade, The Netherlands.

**VAR FÖRSIKTIG:**

Att använda kontroller eller justeringar eller utföra andra förfaranden än de som anges häri kan leda till att du utsätts för farlig strålning.

**FÖRSIKTIGHETSÅTGÄRDER INNAN ANVÄNDNING**

---

**HA DESSA INSTRUKTIONER I ÅTANKE:**

1. Täck inte över eller blockera några ventilationsöppningar. När enheten placeras på en hylla bör det lämnas 5 cm (2 tum) ledigt utrymme runt hela enheten.
2. Montera i enlighet med den medföljande användarmanualen.
3. Håll enheten borta från värmekällor såsom radiatorer, värmare, spisar, ljus och andra värmegenererande produkter eller öppen eld. Enheten kan endast användas i måttliga klimat. Extremt kalla eller varma omgivningar bör undvikas. Drifttemperatur mellan -5 till 55 °C.
4. Undvik att använda enheten nära starka magnetfält.
5. Elektrostatisk urladdning kan störa den normala användningen av den här enheten. Återställ och starta om enheten enligt instruktionsboken om så är fallet. Hantera försiktigt och använd i en statiskt fri miljö vid filöverföring.
6. Varning! För aldrig in ett föremål i produkten genom ventilerna eller öppningarna. Högsänning flödar genom produkten och om du för in ett föremål kan det orsaka elektriska stötar och/eller kortslutning av interna komponenter. Spill inte vatten eller vätska på produkten av samma anledning.
7. Använd inte i våta eller fuktiga områden såsom badrum, ångfyllda kök eller i närheten av simbassänger.
8. Enheten får inte utsättas för dropp eller stänk och se till att inga föremål fyllda med vätskor såsom vaser placeras på eller i närheten av den.
9. Använd inte den här enheten när kondens kan uppstå. När enheten används i ett varmt och fuktigt rum kan vattendroppar eller kondens uppstå inuti enheten och enheten kanske inte fungerar som den ska. Låt enheten vara avstängd i en eller två timmar innan du slår på strömmen igen. Enheten ska vara torr innan strömmen slås på.
10. Även om denna enhet tillverkas med största omsorg och kontrolleras flera gånger innan den lämnar fabriken är det fortfarande möjligt att problem kan uppstå vilket gäller alla elektriska apparater. Om du märker rök, kraftig uppbyggnad av värme eller andra oväntade fenomen ska du omedelbart dra ur kontakten ur eluttaget.
11. Enheten måste drivas med en strömkälla såsom anges på de särskilda märkningskraven. Kontakta din återförsäljare eller lokala elbolag om du är osäker på vilken typ av strömförsörjning som används i ditt hem.
12. Håll på säkert avstånd från husdjur. Vissa djur kan bita på elkablar.
13. Använd en mjuk och torr trasa för att rengöra enheten. Använd inte lösningsmedel eller bensinbaserade vätskor. För att ta bort allvarliga fläckar kan du använda en fuktig trasa med utspätt rengöringsmedel.
14. Leverantören ansvarar inte för skador eller förlorade data orsakade av fel, missbruk, modifiering av enheten eller batteribyte.
15. Avbryt inte anslutningen när enheten formaterar eller överför filer. Data kan då bli skadade eller förloras.

16. Om enheten har en funktion med USB-uppspelning bör USB-minnet anslutas direkt till enheten. Använd inte en USB-förlängningskabel eftersom den kan orsaka störningar som kan leda till att data förloras.
17. Klassificeringsetiketten är placerad på enhetens undersida eller baksida.
18. Den här enheten är inte avsedd för att användas av personer (inklusive barn) med fysiska, sensoriska eller psykiska funktionshinder eller brist på erfarenhet och kunskap såvida de inte är under övervakning av eller har fått instruktioner om korrekt användning av enheten av den person som ansvarar för deras säkerhet.
19. Den här produkten är endast avsedd för icke-professionell användning och inte för kommersiellt eller industriellt bruk.
20. Se till att enheten är justerad till en stabil position. Skador orsakade av att använda den här produkten i ett instabilt läge med vibrationer eller stötar eller av att inte följa någon annan varning eller försiktighetsåtgärd i denna användarmanual täcks inte av garantin.
21. Ta aldrig bort enhetens hölje.
22. Placera aldrig enheten på annan elektrisk utrustning.
23. Låt inte barn ha tillgång till plastpåsar.
24. Använd endast tillbehör som anges av tillverkaren.
25. Överlåt all service till kvalificerad servicepersonal. Service krävs när enheten har skadats på något sätt, exempelvis på strömkabeln eller strömkontakten, när vätska har spillts eller föremål fallit in i den, när den har utsatts för regn eller fukt och inte fungerar normalt eller har tappats.
26. Lång exponering för höga ljud från musikspelare kan leda till tillfällig eller permanent hörselnedsättning.
27. Om produkten levereras med strömkabel eller nätadapter:
  - Dra ur strömkabeln och kontakta behörig personal för service om ett problem uppstår.
  - Trampa inte på nätadaptern och kläm den inte. Var mycket försiktig och då särskilt nära kontakter och kabelns uttag. Placera inte tunga föremål på nätadaptern då detta kan skada den. Håll hela enheten utom räckhåll för barn! När de leker med strömkabeln kan de skada sig själva.
  - Koppla ur denna enhet under åskväder eller när den inte används under en längre period.
  - Eluttaget måste finnas nära utrustningen och måste vara lättillgängligt.
  - Överbelasta inte eluttaget eller förlängningssladdar. Överbelastning kan orsaka brand eller elektriska stötar.
  - Enheter med klass 1-konstruktion bör anslutas till ett vägguttag med skyddsjord.
  - Enheter med klass 2-konstruktion kräver ingen jordad anslutning.
  - Håll alltid i kontakten när du drar ut den ur vägguttaget. Dra inte i strömkabeln. Detta kan orsaka en kortslutning.
  - Använd inte en skadad strömkabel, strömkontakt eller ett löst vägguttag. Om du gör detta kan det orsaka brand eller elektriska stötar.
28. Om produkten innehåller eller levereras med en fjärrkontroll som innehåller mynt/cellbatterier:

Varning:

  - "Svälj inte batterier då kemiska brännskador" eller motsvarande kan uppstå.
  - [Den medföljande fjärrkontrollen] Denna produkt innehåller ett knappcells batteri. Om batteriet sväljs kan det orsaka allvarliga inre brännskador på bara två timmar och vara livshotande.
  - Håll nya och använda batterier borta från barn.
  - Om batterifacket inte går att stänga ordentligt bör du sluta använda produkten och hålla den borta från barn.
  - Om du tror att batterier har svalts eller finns någonstans i kroppen ska du omedelbart söka läkarvård.

## 29. Varning om användning av batterier:

- Explosionsrisk om batteriet byts ut felaktigt. Byt endast ut mot samma eller motsvarande typ.
- Batteriet får inte vid användning, förvaring eller transport utsättas för extremt höga eller låga temperaturer samt lågt lufttryck vid hög höjd.
- Att byta ut ett batteri mot en felaktig typ kan leda till en explosion eller läckage av brandfarlig vätska eller gas.
- Kassering av ett batteri i eld, en varm ugn, mekaniskt krossning eller skärning av det kan resultera i en explosion.
- Att lämna ett batteri i en omgivning med extremt hög temperatur kan resultera i en explosion eller läckage av brandfarlig vätska eller gas.
- Ett batteri som utsätts för extremt lågt lufttryck kan leda till en explosion eller läckage av brandfarlig vätska eller gas.
- Miljöaspekterna bör uppmärksammas när det gäller kassering av batterier.

## MONTERING

- Packa upp alla delar och ta bort skyddsmaterialet.
- Anslut inte enheten till elnätet innan du kontrollerar nätspänningen och att alla andra anslutningar har gjorts.

## Avsedd användning

Den här enheten används för att spela upp musikfiler i formaten MP3, WMA, WAV, APE och FLAC, videofiler i formatet AVI med upplösningen 240 x 320 och visa fotofiler i formaten JPG, GIF och BMP.

Den här produkten är inte avsedd för att användas till kommersiellt bruk eller för medicintekniska och speciella tillämpningar där fel på produkten kan orsaka personskada, dödsfall eller anseelig skada på egendom.

Ansvarsförbindelser upphör vid användning som inte efterlever avsedd användning.

Det är förbjudet att öppna och modifiera enheten samt använda annan utrustning och tillbehör som inte har godkänts av oss.

Använd inte enheten under extrema miljöförhållanden och följ säkerhetsinstruktionerna. Icke efterlevnad av informationen och säkerhetsinstruktionerna i den här manualen ska anses som icke efterlevnad av den avsedda användningen och ska leda till att ansvarsförbindelserna upphör att gälla och detta kan orsaka personskada eller skada på egendom.

## Ladda ned användarmanualen

- För att hjälpa till att spara på miljön finns den detaljerade användarmanualen sparad i en mapp som heter "UTILITIES > User Manual" i det inbyggda minnet. För att öppna den måste du ladda ned den till din dator. Den kan också laddas ned från vår hemsida via [www.lenco.com/...downloads](http://www.lenco.com/...downloads).

**Obs:** För att kunna öppna användarmanualen måste din dator ha en pdf-läsare installerad. Du kan ladda ned en pdf-läsare gratis på <http://get.adobe.com/reader/>



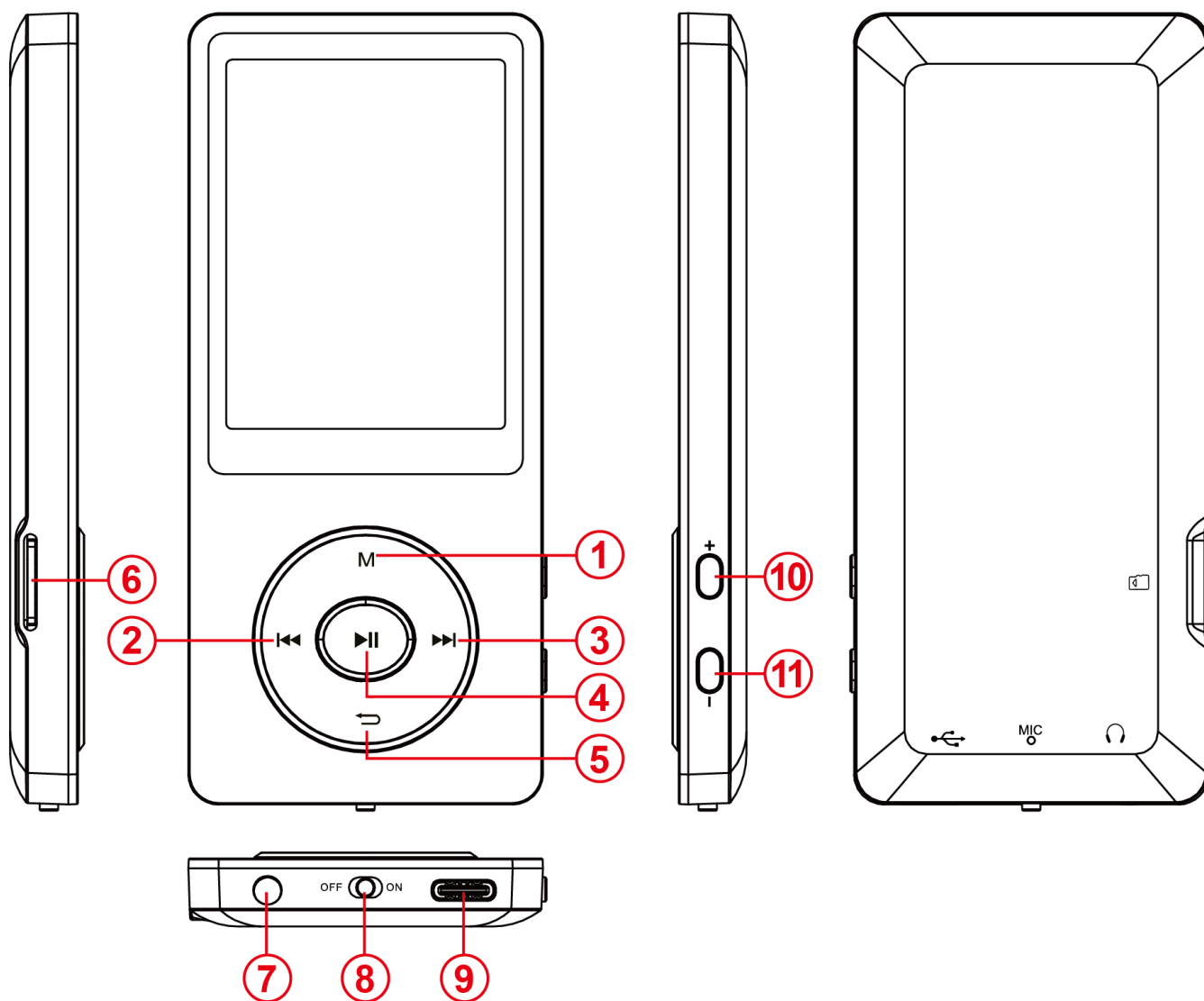
**WARNING:** När du är i trafiken och använder en personlig musikspelare kan du distraheras av den och utsättas för potentiella faror, såsom bilar i närheten.



**WARNING:** För att förhindra eventuella hörselskador ska du inte lyssna på hög volym under långa perioder.



## 1. Enhetsöversikt



<b>(1) Meny</b>	Tryck kort för att öppna undermenyerna
<b>(2) Senaste</b>	Tryck kort: senaste spår; Tryck på och håll nedtryckt: snabbspola bakåt
<b>(3) Nästa</b>	Tryck kort: nästa spår; Tryck på och håll nedtryckt: snabbspola framåt
<b>(4) Spela upp/Paus</b>	Tryck kort: spela upp/pausa musiken; Tryck på och håll nedtryckt: slå på/stänga av mediaspelaren
<b>(5) Tillbaka</b>	Tryck kort för att gå tillbaka till föregående meny eller gränssnitt
<b>(6) Kortplats</b>	Micro SD-kort (eller TF-kort) stöds
<b>(7) Hörlursutgång</b>	φ3,5 mm uttag för att ansluta hörlurar
<b>(8) ON/OFF</b>	Skjut på det för att slå på/stänga av mediaspelaren
<b>(9) USB-port</b>	USB TYPE-C för laddning och dataöverföring
<b>(10) Vol +</b>	Tryck kort för att höja volymen; Tryck på och håll nedtryckt för att snabbt höja volymen
<b>(11) Vol -</b>	Tryck kort för att sänka volymen; Tryck på och håll nedtryckt för att snabbt sänka volymen

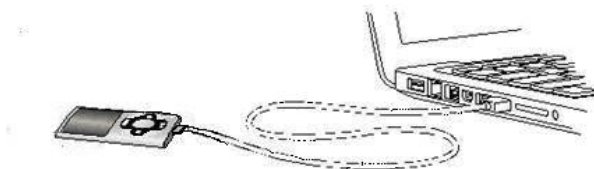
## 2. Förpackningens innehåll

Kontrollera om förpackningens innehåll är komplett

- MP4-mediaspelare med Bluetooth
- Stereohörlurar
- USB-kabel
- Bruksanvisning

## 3. Ansluta till en dator

Du kan enkelt ansluta mediaspelaren till datorn med den medföljande USB-kabeln för att skicka filer mellan mediaspelaren och datorn.



### a) Ansluta enheten

Anslut mediaspelaren till datorn genom att ansluta USB-kabeln till en ledig USB-port på datorn och den andra änden till mediaspelaren. Datorn känner av musikspelaren som ett flyttbart medium och är redo för dataöverföring.

Du kan nu enkelt överföra filer från datorn till mediaspelaren eller vice versa med funktionerna "Drag and Drop" (Dra och släpp) eller "Copy and Paste" (Kopiera och klistra in).

### b) Koppla bort enheten

Se till att dataanslutningen mellan enheterna avbryts innan USB-kabeln kopplas bort!

Tryck på och håll knappen **M** nedtryckt i 1–2 sekunder för att avbryta dataanslutningen. Skärmen visar nu aktuell laddningsnivå och dataanslutningen avbröts.

Om du använder en dator med Windows kan mediaspelaren även kopplas bort via datorn. Klicka på symbolen "Remove hardware safely" (Säker borttagning av maskinvara) i aktivitetsfältet i Windows för att koppla bort säkert. Välj nu MP4-mediaspelaren och följ datorns instruktioner till den bekräftar att åtgärden är slutförd.

Om du använder en Mac kan du dra mediaspelarens ikon till papperskorgen för att koppla bort den.

USB-kabeln kan nu säkert kopplas bort från mediaspelaren och datorn.

**OBS!** Ta inte bort mediaspelaren från datorn om överföringen av filer mellan enheterna inte är slutförd. Detta kan resultera i dataförlust och även skada enheten.



**WARNING:** Att långvarigt utsättas för musik med alltför hög ljudnivå kan resultera i tillfällig eller permanent hörselskada eller hörselnedsättning. Det rekommenderas inte att mediaspelaren används i trafiken. Den kan få användaren att inte reagera på potentiella faror som närmar sig, såsom fordon.

## 4. Användning

### A). Allmän användning

#### (1) Slå på och stänga av mediaspelaren

Tryck på knappen ON/OFF på enhetens undersida för att slå på/stänga av musikspelaren.

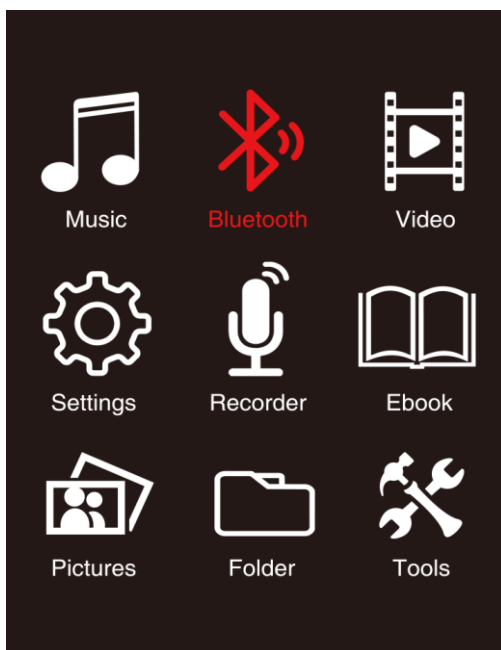
Tryck på och håll knappen ►|| nedtryckt i 2–3 sekunder om strömbrytaren redan är i läget ON.

#### (2) Huvudmenyn

När mediaspelaren har aktiverats visas huvudmenyn. Den består av nio olika menyalternativ:

Music, Bluetooth, Video, Settings, Recorder, EBook, Pictures, Folder and Tools.

(Musik, Bluetooth, Video, Inställningar, Inspelning, E-bok, Bilder, Mapp och Verktyg.)



#### (3) Navigera

Använd knappen ►► eller ◀◀ och (M) eller (↩) för att navigera i de olika menyerna. Använd

knappen ►|| för att öppna markerat menyalternativ eller starta markerad funktion. Tryck kort på

knappen ↩ (bakåtpil) för att återgå till föregående nivå. Tryck på och håll knappen ↩ (bakåtpil)

nedtryckt i 1–2 sekunder för att återgå till huvudmenyn.

## B). Bluetooth

**(1)** Öppna huvudmenyn, gå till menyalternativet "Bluetooth" och bekräfta ditt val med knappen ►|. Mappöversikten öppnas. Välj undermenyerna med knappen ►► eller ◀◀ och bekräfta valet med knappen ►|.

### **(2)** Användning

- Du kan aktivera Bluetooth genom att välja "Bluetooth Switch Control" (knapp för att kontrollera Bluetooth) och trycka på knappen ►| för att bekräfta. Välj sedan "Bluetooth Open" (Öppna Bluetooth) för att aktivera. Bluetooth börjar sedan automatiskt skanna de tillgängliga Bluetooth-enheterna i närheten.
- Du kan söka manuellt efter en Bluetooth-enhet genom att välja "Search Device" (Sök efter enhet) och trycka på knappen ►| för att bekräfta och den tillgängliga Bluetooth-enheten visas sedan i listan. Tryck på knappen ►► eller ◀◀ för att välja enheten och sedan på knappen ►| för att börja parkoppla.
- När Bluetooth-enheten har anslutits kan du gå tillbaka till menyn "Music" (Musik) och börja njuta.
- Du kan koppla bort den aktuella Bluetooth-enheten genom att trycka på knappen ►► eller ◀◀ för att välja "Device list" (Enhetslista). Tryck sedan på knappen ►| för att bekräfta och välj den parkopplade enheten. Tryck på knappen ►| igen för att bekräfta "Disconnect" (Koppla bort) eller inte.

"Denna produkt har en funktion för **överföring** av Bluetooth, men **det går inte ta emot något Bluetooth-ljud på den**. Detta betyder att du trådlöst kan överföra en Bluetooth-ljudsignal till en extern enhet som en Bluetooth-högtalare, Bluetooth-hörlurar, ljudsystem med Bluetooth-mottagning ..."

Den här produkten använder frekvensintervallet 2400–2483,5 MHz och är endast avsedd att användas i en vanlig hushållsmiljö. Denna produkt är lämplig för detta ändamål inom alla EU-länder.

## 5. Tekniska data

Mått	104 x 47 x 10,0 mm
Vikt	Cirka 38 gr
LCD	2,4 tum färgskärm med en upplösning på 240 x 320 pixlar
PC-anslutning	USB 2.0 (PC)   USB TYPE-C-port (mediaspelaren)
Batteri	Uppladdningsbart Li-polymer-batteri, kapacitet: 300 mAh
Bluetooth	Version 5.3, sändare(TX)
SNR	> 85 dB
Musikformat	MP3/WMA/WAV/APE/FLAC
Videoformat	AVI 320 x 240 pixlar
Bildformat	JPG/BMP/GIF
Driftstemperatur	-5 till 55 °C
Operativsystem	Windows 7/8/8.1/10/11/Mac 10.x eller senare

### Garanti

Commaxx B.V. erbjuder service och garanti i enlighet med europeisk lagstiftning, vilket innebär att du, vid reparationer (både under och efter garantins giltighetsperiod) ska kontakta din lokala återförsäljare.

Viktigt: Det är inte möjligt att skicka produkter som behöver repareras direkt till Commaxx B.V.

Viktigt: Om denna enhet öppnas eller görs åtkomlig av ett icke officiellt servicecenter på något sätt, utgår garantin.

Denna enhet är inte lämplig för yrkesmässig användning. Vid yrkesmässig användning, upphör samtliga garantier från tillverkaren att gälla.

### Friskrivningsklausul

Uppdateringar av hård mjukvara och/eller hårdvarukomponenter görs regelbundet. Därmed kan vissa anvisningar, specifikationer och bilder i denna dokumentation skilja sig något från din särskilda situation. Alla artiklar beskrivna i denna guide är endast för illustration och kan inte tillämpas på någon speciell situation. Inga juridiska rättigheter eller anspråk kan erhållas från beskrivningen i denna manual.

### Bortskaffande av gammal enhet



Denna symbol anger att den relevanta elektriska produkten eller batteriet ska inte kasseras i det allmänna hushållsavfallet i Europa. När den korrekta avfallsbehandlingen för produkten och batteriet ska säkerställas, ska elektrisk utrustning eller batterier kasseras i enlighet med varje krav på tillämplig lokal lagstiftning. Genom detta handlande, bidrar du till att återvinna naturresurser och förbättra normer för miljöskydd och kassering av elektrisk avfall (elektrisk och elektronisk utrustning).

## FÖRSÄKRAN OM EFTERLEVNAD

Härmed intygar Commaxx att radioutrustningen av typen [Lenco Xemio-860] överensstämmer med direktiv 2014/53/EU. Den fullständiga texten gällande EU-försäkran om överensstämmelse finns på följande internetadress:

[https://commaxx-certificates.com/doc/xemio-860\\_doc.pdf](https://commaxx-certificates.com/doc/xemio-860_doc.pdf)

RF-typ	Frekvensintervall (MHz)	Effekt (dBm)
Bluetooth	2402–2480	< 6

### Service

För mer information och support via vår helpdesk går du till [www.lenco.com](http://www.lenco.com)  
Commaxx B.V. Wiebachstraat 37, 6466 NG Kerkrade, The Netherlands.