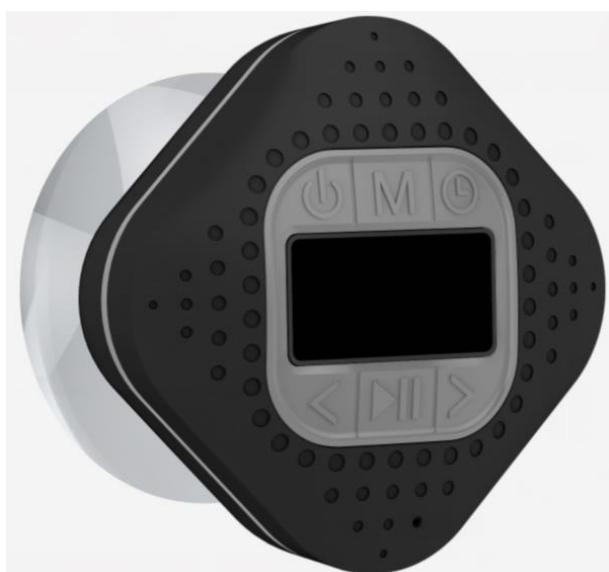


Lenco

Model: BAR-013



User manual – Bathroom and kitchen radio with Bluetooth and timer
Gebbruikershandleiding – Badkamer- en keukenradio met Bluetooth en timer
Bedienungsanleitung – Badezimmer- und Küchenradio mit Bluetooth und Timer
Mode d'emploi – Radio Bluetooth de salle de bain et de cuisine avec minuterie
Manual de usuario - Radio de baño y cocina con Bluetooth y temporizador

Index	
ENGLISH	3
NEDERLANDS	15
DEUTSCH	28
FRANÇAIS	41
ESPAÑOL	55

CAUTION:

Usage of controls or adjustments or performance of procedures other than those specified herein may result in hazardous radiation exposure.

PRECAUTIONS BEFORE USE**KEEP THESE INSTRUCTIONS IN MIND:**

1. Do not cover or block any ventilation openings. When placing the device on a shelf, leave 5 cm (2") free space around the whole device.
2. Install in accordance with the supplied user manual.
3. Keep the device away from heat sources such as radiators, heaters, stoves, candles and other heat-generating products or naked flame. The device can only be used in moderate climates. Extremely cold or warm environments should be avoided. Working temperature between 0° and 35°C.
4. Avoid using the device near strong magnetic fields.
5. Electrostatic discharge can disturb normal usage of this device. If so, simply reset and restart the device following the instruction manual. During file transmission, please handle with care and operate in a static-free environment.
6. Warning! Never insert an object into the product through the vents or openings. High voltage flows through the product and inserting an object can cause electric shock and/or short circuit internal parts. For the same reason, do not spill water or liquid on the product.
7. Do not use in wet or moist areas such as bathrooms, steamy kitchens or near swimming pools.
8. The device shall not be exposed to dripping or splashing and make sure that no objects filled with liquids, such as vases, are placed on or near the apparatus.
9. Do not use this device when condensation may occur. When the unit is used in a warm wet room with damp, water droplets or condensation may occur inside the unit and the unit may not function properly; let the unit stand in power OFF for 1 or 2 hours before turning on the power: the unit should be dry before getting any power.
10. Although this device is manufactured with the utmost care and checked several times before leaving the factory, it is still possible that problems may occur, as with all electrical appliances. If you notice smoke, an excessive build-up of heat or any other unexpected phenomena, you should disconnect the plug from the main power socket immediately.

11. This device must operate on a power source as specified on the specification label. If you are not sure of the type of power supply used in your home, consult your dealer or local power company.
12. Keep away from animals. Some animals enjoy biting on power cords.
13. To clean the device, use a soft dry cloth. Do not use solvents or petrol based fluids.
To remove severe stains, you may use a damp cloth with dilute detergent.
14. The supplier is not responsible for damage or lost data caused by malfunction, misuse, modification of the device or battery replacement.
15. Do not interrupt the connection when the device is formatting or transferring files. Otherwise, data may be corrupted or lost.
16. If the unit has USB playback function, the USB memory stick should be plugged into the unit directly. Don't use an USB extension cable because it can cause interference resulting in failing of data.
17. The rating label has been marked on the bottom or back panel of the device.
18. This device is not intended for use by people (including children) with physical, sensory or mental disabilities, or a lack of experience and knowledge, unless they're under supervision or have received instructions about the correct use of the device by the person who is responsible for their safety.
19. This product is intended for non professional use only and not for commercial or industrial use.
20. Make sure the unit is adjusted to a stable position. Damage caused by using this product in an unstable position vibrations or shocks or by failure to follow any other warning or precaution contained within this user manual will not be covered by warranty.
21. Never remove the casing of this device.
22. Never place this device on other electrical equipment.
23. Do not allow children access to plastic bags.
24. Only use attachments/accessories specified by the manufacturer.
25. Refer all servicing to qualified service personnel. Servicing is required when the device has been damaged in any way, such as the power supply cord or the plug, when liquid has been spilled or objects have fallen into the device, when the device has been exposed to rain or moisture, does not operate normally, or has been dropped.
26. Long exposure to loud sounds from personal music players may lead to temporary or permanent hearing loss.
27. If the product is delivered with power cable or AC power adaptor:
 - If any trouble occur, disconnect the AC power cord and refer servicing to qualified personnel.

- Don't step on or pinch the power adaptor. Be very careful, particularly near the plugs and the cable's exit point. Do not place heavy items on the power adaptor, which may damage it. Keep the entire device out of children's reach! When playing with the power cable, they can seriously injure themselves.
 - Unplug this device during lightning storms or when unused for a long period.
 - The socket outlet must be installed near the equipment and must be easily accessible.
 - Do not overload ac outlets or extension cords. Overloading can cause fire or electric shock.
 - Devices with class 1 construction should be connected to a main socket outlet with a protective earthed connection.
 - Devices with class 2 construction do not require a earthed connection.
 - Always hold the plug when pulling it out of the main supply socket. Do not pull the power cord. This can cause a short circuit.
 - Do not use a damaged power cord or plug or a loose outlet. Doing so may result in fire or electric shock.
28. If the product contains or is delivered with a remote control containing coin/cell batteries:
- Warning:
- "Do not ingest battery, Chemical Burn Hazard" or equivalent working.
 - [The remote control supplied with] This product contains a coin/button cell battery. If the battery is swallowed, it can cause severe internal burns in just 2 hours and can lead to death.
 - Keep new and used batteries away from children.
 - If the battery compartment does not close securely, stop using the product and keep it away from children.
 - If you think batteries might have been swallowed or placed inside any part of the body, seek immediate medical attention.
29. Caution about the use of Batteries:
- Danger of explosion if battery is incorrectly replaced. Replace only with the same or equivalent type.
 - Battery cannot be subjected to high or low extreme temperatures, low air pressure at high altitude during use, storage or transportation.
 - Replacement of a battery with an incorrect type that can result in an explosion or the leakage of flammable liquid or gas.
 - Disposal of a battery into fire or a hot oven, or mechanically crushing or cutting of a battery, that can result in an explosion.

- Leaving a battery in an extremely high temperature surrounding environment that can result in an explosion or that leakage of flammable liquid or gas.
- A battery subjected to extremely low air pressure that may result in an explosion or the leakage of flammable liquid or gas.
- Attention should be drawn to the environmental aspects of battery disposal.

INSTALLATION

- Unpack all parts and remove protective material.
- Do not connect the unit to the mains before checking the mains voltage and before all other connections have been made.



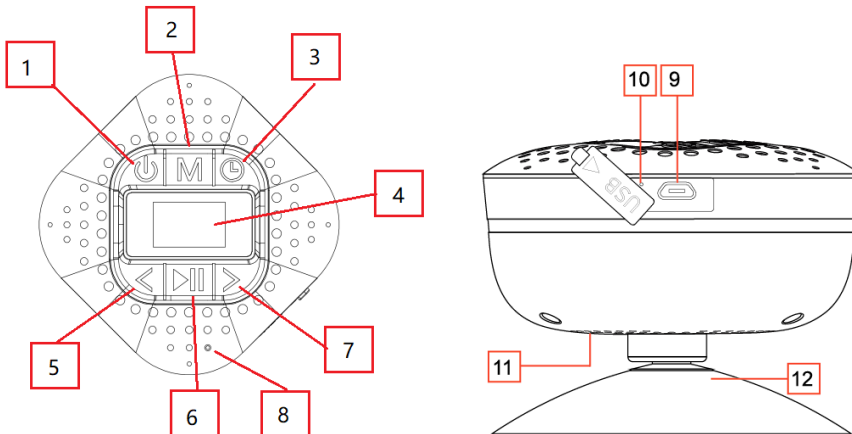
Warning

- Never remove the casing of this apparatus.
- Never place this apparatus on the other electrical equipment.





Notice

- If at any time in the future you should need to dispose of this product please note that: All batteries and accumulators need to be removed from this product (Removal of Waste Batteries and Accumulators).
- Always bring your product to a professional to remove the built-in battery.

A. Outlook and Controls



Item	Control
1	⏻ Button
2	M Button

3	 Button
4	LED display
5	 Button
6	 Button
7	 Button
8	MIC Hole
9	Micro USB socket
10	Reset hole
11	Speaker
12	Vacuum Cupule

B. About the Rechargeable Battery & Charging

- Regarding the lithium rechargeable battery
 - This Bluetooth Speaker has an internal, non – user replaceable battery. For best results, the first time you use this Bluetooth Speaker, let it charge for about 2 ~ 3 hours or until the battery icon shows the battery is fully charged.
 - For maintain the battery life and performance, if speaker isn't used for a while, the battery might need to be recharged. Charge the battery at least once every month.
- To recharge the built-in battery:
 - Connect the Bluetooth Speaker's "**Micro USB socket (9)**" with the Computer's USB port through USB cable. The battery icon will flash in the lower right corner of the "**LED (4)**" screen, it is in charging.
 - Disconnect the USB cable when it is done.

Note :

The speaker contains a built-in temperature monitor sensor. If it senses that the battery pack temperature is not in good condition it will control and stop the charging function. The charging function will be automatically restored when the detected battery pack temperature returns to within normal limits.

C. Power On and Pairing

This product has a bluetooth **reception** function, **you can not transmit any bluetooth sound with it**: this means that you can receive wirelessly a bluetooth sound signal from an external source like a smartphone.

- Press and hold the "**Power (1)**" button to turn on the device. A series of tones will sound. If it is in clock mode, press the "**M button (2)**" to switch to Bluetooth mode, the "**Bluetooth (3)**" icon is fast blinking on display.



2. Then activate the Bluetooth function in your mobile device (such as Mobile Phone or Personal Computer), the device will enter to Bluetooth searching mode automatically, if not, tap the related selection to manually enter to searching mode. (refer to your device's manual when necessary)
3. Your mobile device should show **"Lenco BAR-013"** in list, and then select it for pairing. Waiting for some seconds and you will see connected message as shown on your mobile device. (For some Bluetooth devices, you may need to input **"0000"** as pairing password)
4. If pairing is successful, the **"📶"** icon will constantly show on the display.
5. Now, you can start to music play from the mobile device by its music player program.
6. Press and hold the **"🔊 (1)"** button to turn off the device when it is not in use.

D. Disconnect from Paired Device

1. Press and hold the **"▶ (6)"** button to switch to new **"Searching / Pairing"** mode, the paired device will be disconnected.
2. Or, you can choose **"Disconnect"** from Bluetooth paired device list on your mobile device.
3. In this case; the Bluetooth Speaker will turn back into **"Searching / Pairing"** mode in seconds, a series of tones will sound and the **"📶"** icon is fast blinking on display.
4. Now, you can process for new mobile device pair or power off the Bluetooth Speaker as you wanted.

E. Auto Re-connect with Paired Device and New Pairing

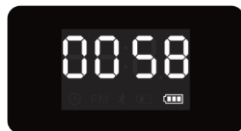
1. Every time you turn on the Bluetooth speaker and enter into Bluetooth mode; it will firstly searching for the mobile device, which has been paired previously and still in record. The Bluetooth Speaker will re-connect this mobile device as priority if it is in Bluetooth searching device mode.
2. If not found in some seconds, the Bluetooth Speaker then is turn into new pairing mode internally.
3. Now you can process for new mobile device pair. (refer to item D.3~6 methods)

F. Bluetooth Music Playing Control Function

1. In playing music, press “▶ (6)” button to pause the music. To resume the music press it again.
2. Press and hold the “> (7)” button to increase the volume level.
3. Press and hold the “< (5)” button to decrease the volume level.
4. When maximum or minimum volume is reached, a series of tones will sound.
5. Press once the “> (7)” button to go to the next music.
6. Press once the “< (5)” button to go to the previous music.

G. Time Setting

1. Power on the bluetooth speaker, press the “M button (2)” to switch to time mode.



2. Press and hold the “M button (2)” to go to hour set, the number of hour will blink on LED display.
3. Press or pressing the “< (5)” or “> (7)” button for adjusting the hour time as current time.
4. Short press the “▶ (6)” button to confirm the hour time set and go for Minute set. The number of minute will blink on LED display;
5. Press or pressing the “< (5)” or “> (7)” button for adjusting the minute time as current time.
6. Short press the “▶ (6)” button to confirm the minute time set.
7. The time set is completed and clock time is showing on LED display.

H. Timer Function

1. Press once “⏸ (3)” button enter timer mode. The default is 5 minutes. Timer time range from 0-300 minutes.
2. Press or pressing the “< (5)” or “> (7)” button to adjust the time you need.
3. After the timer set, press the “▶ (6)” button to save the setting or automatically save in 5 seconds. The timer will begin to countdown at last 1 minute.
4. When the timing time arrives, a series of beep sound will be issued. Press the “⏻ (1)” button or the “⏸ (3)” button to turn it off.
5. Long press “⏸ (3)” button if need to cancel the timer setting

I. Alarm Clock Function

1. In time mode, press “▶ (6)” button to enter alarm clock set. “ALAR” > “OFF” will show on the screen. You can press the “> (7)” button to

- turn ON the alarm clock.
2. When “ON” show on the screen, press “▶| (6)” button to go to hour set.
 3. Press or pressing the “< (5)” or “> (7)” button for adjusting the hour time as you desired.
 4. Short press the “▶| (6)” button to confirm the hour time set and go for Minute set. The number of minute will blink on LED display;
 5. Press or pressing the “< (5)” or “> (7)” button for adjusting the minute time as you desired.
 6. Short press the “▶| (6)” button to confirm the minute time set.
 7. When the alarm is set, it will emit a series of beeps and then adjust the alarm volume.
 8. Press or pressing the “< (5)” or “> (7)” button for adjusting the volume level as you desired.
 9. Short press the “▶| (6)” button to confirm the volume level and the volume of alarm clock set is completed.
 10. Press once “⏻ (1)” button to stop the alarm

J. Hand Free Function

1. When there is an incoming call during Bluetooth music playing mode;
2. The ringing sound will up and the playing music will pause automatically.
3. Press “▶| (6)” button to pick up the call if you want.
4. Now you have hand-free function with the Bluetooth speaker.
5. Press “▶| (6)” button again to hang up the call when finished. And the paused music will start to play automatically.
6. Press and hold “▶| (6)” button for 3 seconds to ignore the incoming call.

Tip: speak to the “MIC (8)” hole direct with distance in 30 ~ 60cm to get the best speaker phone performance when necessary.

K. Redial for Last Call Function

1. To redial for last called number by the Bluetooth Speaker, even it is in music playing mode.
2. Press twice the “▶| (6)” button to enter into redial function, the playing music will pause and switch to hand-free function for redial.
3. Press the “▶| (6)” button again to hang up the redial call.
4. Make sure that your mobile phone has have last dial call used, if not, the redial for last call function cannot be activated.

L. FM Function

Manual Tune Radio Frequency:

1. Press the “M button (2)” to enter into FM mode.



2. Press and hold the “▶ (6)” button to enter into auto searching mode.
3. The FM radio will search up the frequency from the beginning (87.5 MHz) to the end (108.0MHz) and will save the searched stations automatically.
4. When finished searching, it will play from the firstly searched station (P01) automatically.

Manual Tune Radio Frequency:

1. Press the “▶ (6)” button to enter the mode of manual frequency adjustment, press once the “> (7)” or “< (5)” button to choose station. After selecting the radio station, press the “▶ (6)” button to confirm, and P01 will appear on the “LED (4)” screen.
2. You can select radio station P01-P30 through the “> (7)” or “< (5)” button, and press the “▶ (6)” button again to confirm.

FM playing control:

1. Press once the “> (7)” button to go to next station.
2. Press once the “< (5)” button to go to previous station.
3. Press and hold the “> (7)” button to increase the volume level.
4. Press and hold the “< (5)” button to decrease the volume level.
5. To switch back to Bluetooth mode, press twice the “M button (2)”.

M. Low Power Reminder and Auto Sleep

1. The Bluetooth Speaker will send tones sound from speaker by every minute. When you heard this reminder sound, please connect the device with USB power for charge if you still want to use the device.
2. If not, the Bluetooth Speaker will power off automatically when the battery is keeping low energy level in some minutes.
3. In this case, the device cannot be turned on, until you recharging the battery at least 10 ~ 15 minutes, because the rechargeable battery has not enough energy.

N. Reset

In some circumstances, the device may encounter dead halt during use. This device has design with built-in a mini tact switch which located at the behind of the earphone jack, so it can provide reset function to restart the device by pass through the earphone jack hole.

To Reset:

- Use a 1mm stick or similar object (like tooth stick), and carefully insert the stick, use dull side, into the earphone jack hole until you feel to hit the end. Actually that is the tact switch button surface.

- Then add a bit of force and you will get a click sound and feeling return from switch. The device is reset and restart in seconds.

Important: Do not reset the device if it is proper working.

O. Trouble Shooting	
No power	<ul style="list-style-type: none"> • Check battery is it charged with enough energy. • Check whether the device is in power off mode.
No sound	<ul style="list-style-type: none"> • Check whether volume level is in lower position on your speaker and mobile phone or PC/Mac. • Make sure that your Bluetooth device is within the effective operation range. • Check whether the Bluetooth device is paired. • Check whether the Bluetooth device show connected. • Check if you have selected the correct audio source.
No radio station	<ul style="list-style-type: none"> • Check whether the FM station is tuned in correct frequency and programmed.
No response from speaker	<ul style="list-style-type: none"> • Restart the speaker by power off and on.

P. Specification		
Dimension	78 mm (L) x 79 mm (W) x 46 mm (H) (Not include Vacuum Cupule)	
Weight	112g (Approximate)	
Bluetooth	Specification	V5.0
	Supported Profile	A2DP, AVRCP, HFP
	Connection Distance	In 10 meters (open area)
FM Radio	Tuning Range	87.5MHz – 108MHz
	Preset Memory	30 stations (max.)
	Antenna	Wireless type
Built-In Battery	Lithium 3.7V, 1000mAh	
	Charging Time: around 2~3 Hours	
	Playing Time: around 3~4 Hours (at max. volume setting)	
Power Source	Micro USB Port	
	PC's USB port Power or DC 5V, 500mA	
Audio	Output Power	3W (RMS)
	Frequency Responses	80Hz to 16,000Hz
Water Resistance	Splash-Proof	IPX4
Operating Temperature	0 to 40°C	

Commented [JFS1]: Up to 9 hours

Q. Guarantee

Lenco offers service and warranty in accordance to European law, which means that in case of repairs (both during and after the warranty period) you should contact your local dealer.

Important note: It is not possible to send products that need repairs to Lenco directly.

Important note: If this unit is opened or accessed by a non-official service center in any way, the warranty expires.

This device is not suitable for professional use. In case of professional use, all warranty obligations of the manufacturer will be voided.

R. Disclaimer

Updates to Firmware and/or hardware components are made regularly. Therefore some of the instruction, specifications and pictures in this documentation may differ slightly from your particular situation. All items described in this guide for illustration purposes only and may not apply to particular situation. No legal right or entitlements may be obtained from the description made in this manual.

S. Disposal of the Old Device



This symbol indicates that the relevant electrical product or battery should not be disposed of as general household waste in Europe. To ensure the correct waste treatment of the product and battery, please dispose them in accordance to any applicable local laws of requirement for disposal of electrical equipment or batteries. In so doing, you will help to conserve natural resources and improve standards of environmental protection in treatment and disposal of electrical waste (Waste Electrical and Electronic Equipment Directive).

T. CE Marking

Hereby, Lenco Benelux B.V., Thermiekstraat 1a, 6361 HB Nuth, The Netherlands, declares that this product is in compliance with the essential EU directive requirements.

The declaration of conformity may be consulted via techdoc@commaxxgroup.com



U. Guarantee

For more information and helpdesk support, please visit www.lenco.com
Lenco Benelux BV, Thermiekstraat 1a, 6361 HB, The Netherlands.

LET OP:

Het gebruik van afstandsbedieningen of aanpassingen of de uitvoering van procedures die niet in dit document zijn gespecificeerd, kan leiden tot gevaarlijke blootstelling aan straling.

VOORZORGSMAATREGELEN VOOR GEBRUIK**ONTHOUD DE VOLGENDE INSTRUCTIES:**

1. Bedek of blokkeer de ventilatieopeningen niet. Wanneer u het apparaat op een schap plaatst, dient u 5 cm (2") vrije ruimte rondom het gehele apparaat te behouden.
2. Installeer het product volgens de meegeleverde gebruikershandleiding.
3. Houd het apparaat uit de buurt van hittebronnen, zoals radiatoren, verwarmingen, kachels, kaarsen en andere hittegenererende producten of open vuur. Het apparaat kan alleen worden gebruikt in een gematigd klimaat. Extreem koude of warme omgevingen dienen te worden vermeden. Het bedrijfstemperatuurbereik ligt tussen 0 °C en 35 °C.
4. Gebruik dit apparaat niet in de buurt van krachtige magnetische velden.
5. Elektrostatische ontlading kan normaal gebruik van dit apparaat verstoren. U hoeft het apparaat in dit geval slechts te resetten en opnieuw op te starten volgens de gebruikershandleiding. Wees voorzichtig tijdens bestandsoverdracht en gebruik het product in een omgeving zonder statische interferentie.
6. Waarschuwing! Steek nooit een voorwerp via de ventilatie- of andere openingen in het product. Er is hoogspanning in het product aanwezig en als u er een object insteekt, kan dat een elektrische schok veroorzaken en/of kortsluiting in de interne onderdelen. Mors om dezelfde reden geen water of vloeistof op het product.
7. Gebruik het toestel niet in vochtige ruimtes, zoals badkamers, stomende keukens of in de buurt van zwembaden.
8. Het apparaat mag niet worden blootgesteld aan druppels en spetters en zorg ervoor dat er geen met vloeistof gevulde voorwerpen, zoals vazen, op of in de buurt van het apparaat worden geplaatst.
9. Gebruik dit apparaat niet wanneer condensatie kan optreden. Wanneer het apparaat in een warme, natte ruimte wordt gebruikt, kunnen zich waterdruppels of condens vormen in het apparaat en kan het apparaat niet goed functioneren. Laat het apparaat 1 of 2 uur uit staan voordat u het inschakelt: het apparaat dient droog te zijn voordat deze stroom ontvangt.

10. Alhoewel dit apparaat met grote zorg gefabriceerd en verschillende keren geïnspecteerd is voordat het de fabriek verlaat, is het nog steeds mogelijk dat er problemen optreden, zoals met alle elektrische apparaten. Als u rook, een overmatige hitteontwikkeling of enig ander onverwacht verschijnsel opmerkt, moet u onmiddellijk de stekker van het netsnoer uit het stopcontact halen.
11. Dit apparaat moet worden gebruikt met een voedingsbron zoals gespecificeerd op het specificatielabel. Als u twijfelt over het type voeding dat gebruikt wordt in uw huis, raadpleeg dan uw dealer of plaatselijk energiebedrijf.
12. Buiten bereik van dieren houden. Sommige dieren kauwen graag op voedingskabels.
13. Gebruik een zacht, droog doekje om het apparaat te reinigen. Gebruik geen oplosmiddelen of op benzine gebaseerde vloeistoffen. U kunt een vochtig doekje met verdund schoonmaakmiddel gebruiken om hardnekkige vlekken te verwijderen.
14. De leverancier is niet verantwoordelijk voor schade of verloren gegevens veroorzaakt door storing, misbruik, modificatie van het apparaat of batterijvervanging.
15. Onderbreek nooit de verbinding wanneer het apparaat formatteert of bestanden overdraagt. De gegevens kunnen anders corrupt of verloren raken.
16. Indien het apparaat een USB-afspeelfunctie heeft, moet de USB-geheugenstick rechtstreeks op het apparaat worden aangesloten. Gebruik geen USB-verlengkabel, omdat die kan leiden tot storingen met foutieve gegevens als gevolg.
17. Het classificatielabel bevindt zich op de onderkant of het achterpaneel van het apparaat.
18. Dit hulpmiddel is niet bedoeld voor gebruik door mensen (inclusief kinderen) met een fysieke, zintuiglijke of mentale handicap, of een gebrek aan ervaring en kennis, tenzij zij toezicht of instructies hebben gekregen over het juiste gebruik van het hulpmiddel door een persoon die verantwoordelijk is voor hun veiligheid.
19. Dit product is alleen voor niet-professioneel gebruik bedoeld en niet voor commercieel of industrieel gebruik.
20. Verzeker u ervan dat het apparaat in een stabiele positie staat opgesteld. Schade die wordt veroorzaakt door het gebruik van dit product in een onstabiele positie, trillingen of schokken of het niet opvolgen van de waarschuwingen of voorzorgsmaatregelen in deze gebruikershandleiding wordt niet gedekt door de garantie.
21. Verwijder nooit de behuizing van dit apparaat.
22. Plaats dit apparaat nooit op andere elektrische apparatuur.

23. Geef kinderen geen gelegenheid in aanraking met plastic zakken te komen.
24. Gebruik uitsluitend uitbreidingen/accessoires gespecificeerd door de fabrikant.
25. Laat alle reparaties over aan gekwalificeerd onderhoudspersoneel. Onderhoud is nodig als het apparaat is beschadigd, bijvoorbeeld als de voedingskabel of de stekker is beschadigd, als er vloeistof op het apparaat is gemorst, als er voorwerpen in het apparaat zijn gevallen, als het apparaat is blootgesteld aan regen of vocht, als het apparaat niet normaal werkt of als het is gevallen.
26. Langdurige blootstelling aan harde geluiden van persoonlijke muziekspelers kan leiden tot tijdelijk of permanent gehoorverlies.
27. Als het product wordt geleverd met voedingskabel of wisselstroomvoedingsadapter:
- Als er zich problemen voordoen, moet u de voedingskabel loskoppelen en het ter onderhoud aanbieden aan gekwalificeerd personeel.
 - Nooit op de voedingsadapter stappen of deze indrukken. Wees zeer voorzichtig, vooral in het gebied rond de stekkers en de kabelaansluitingen. Plaats geen zware voorwerpen op de voedingsadapter, om beschadiging ervan te voorkomen. Houd het gehele apparaat buiten bereik van kinderen! Wanneer kinderen met de voedingskabel spelen, kunnen zij ernstig letsel oplopen.
 - Haal de stekker uit het stopcontact tijdens onweer of wanneer u deze langere tijd niet gebruikt.
 - Het stopcontact moet in de buurt van de apparatuur zijn geïnstalleerd en eenvoudig te bereiken zijn.
 - Laat AC-stopcontacten of verlengsnoeren nooit overbelast raken. Overbelasting kan brand of een elektrische schok veroorzaken.
 - Apparaten met een Klasse 1 structuur dienen te worden aangesloten op een stopcontact met een beschermende aardverbinding.
 - Apparaten met een Klasse 2 structuur vereisen geen aardverbinding.
 - Houd altijd de stekker vast wanneer u deze uit het stopcontact trekt. Trek nooit aan de voedingskabel. Dit kan tot een kortsluiting leiden.
 - Gebruik nooit een beschadigde voedingskabel of stekker of een los stopcontact. Dit vormt namelijk een risico op brand of elektrische schokken.
28. Indien het product knoopcelbatterijen bevat of wordt geleverd met een afstandsbediening die knoopcelbatterijen bevat:
Waarschuwing:

- “Batterij niet inslikken, chemisch brandgevaar” of gelijkwaardige werking.
- De meegeleverde afstandsbediening bevat een knoopcelbatterij. Als de batterij wordt ingeslikt, kan deze in slechts 2 uur ernstige interne brandwonden veroorzaken en tot de dood leiden.
- Houd nieuwe en gebruikte batterijen buiten bereik van kinderen.
- Als de batterijhouder niet goed kan worden gesloten, dient u het product niet meer te gebruiken en buiten bereik van kinderen te houden.
- Als u denkt dat batterijen zijn ingeslikt of binnenin een willekeurig lichaamsdeel terecht zijn gekomen, dient u onmiddellijk medische hulp te zoeken.

29. Waarschuwing m.b.t. het gebruik van batterijen:

- Als de batterij onjuist wordt geplaatst, bestaat er explosiegevaar. Vervang de batterij alleen door een zelfde of vergelijkbare soort batterij.
- Stel de batterij niet bloot aan extreem hoge of lage temperaturen of een lage luchtdruk op grote hoogte tijdens gebruik, opslag of transport.
- Vervanging van een batterij door een incorrect type kan leiden tot een ontploffing of de lekkage van ontvlambare vloeistoffen of gas.
- Het weggooien van een batterij in het vuur of een hete oven, of het mechanisch verpletteren of insnijden van een batterij, kan leiden tot een explosie.
- Het achterlaten van een batterij in een omgeving met extreem hoge temperaturen kan leiden tot een explosie of het lekken van brandbare vloeistof of gas.
- Een batterij die aan een extreem lage luchtdruk wordt blootgesteld, kan leiden tot een explosie of het lekken van brandbare vloeistof of gas.
- Aandacht voor het milieu is nodig bij het verwijderen van de batterijen.

INSTALLATIE

- Pak alle onderdelen uit en verwijder de beschermende materialen.
- Sluit het apparaat niet aan op het stopcontact, voordat u de netspanning hebt gecontroleerd en voordat alle andere aansluitingen zijn gemaakt.



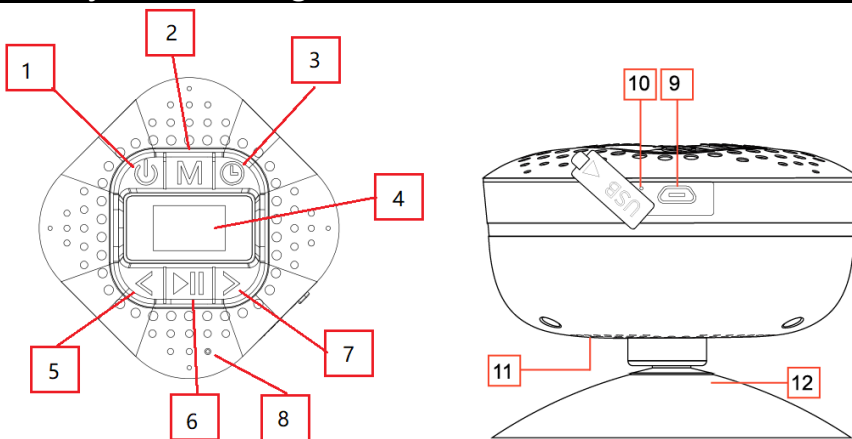
Waarschuwing

- Verwijder nooit de behuizing van dit apparaat.
- Plaats dit apparaat nooit op een ander elektrisch apparaat.

Let op

- Als het in de toekomst nodig is om dit product af te voeren, let dan op het volgende: Alle batterijen en accu's dienen uit het product te worden verwijderd (verwijdering van oude batterijen en accu's).
- Breng het apparaat altijd naar een vakman om de geïntegreerde batterij te laten verwijderen.

A. Uiterlijk en bedieningselementen



Onderwerp	Bediening
1	⏻ Toets
2	M-toets
3	🕒 Toets
4	Ledscherm
5	< Toets
6	▶ Toets
7	> Toets
8	MIC-ingang
9	MicroUSB-poort
10	Terugstelgaatje
11	Luidspreker
12	Vacuümcupule

B. Over de oplaadbare batterij & opladen

1. Wat betreft de oplaadbare lithium-batterij
 - Deze Bluetooth-luidspreker heeft een interne batterij, die niet door de gebruiker kan worden vervangen. Voor de beste resultaten dient u voordat u deze Bluetooth-luidspreker voor de eerste keer gebruikt

deze ongeveer 2-3 uur op te laden of totdat het batterij-icoontje aangeeft dat de batterij volledig is opgeladen.

- Als de luidspreker een tijd niet wordt gebruikt kan het, om de levensduur van de batterij en zijn prestaties te behouden, nodig zijn de batterij opnieuw op te laden. Laad de batterij tenminste eenmaal per maand op.
2. Het opladen van de ingebouwde batterij:
- Sluit de **“MicroUSB-aansluiting (9)”** van de Bluetooth-luidspreker aan op de USB-poort van uw computer via de USB-kabel. Het batterijpictogram knippert in de rechteronderhoek van het scherm **“LED (4)”**, het is bezig met opladen.
 - Koppel de USB-kabel los wanneer het klaar is.

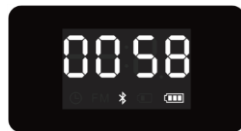
Opmerking:

De luidspreker bevat een ingebouwde temperatuurbewakingssensor. Indien het detecteert dat de temperatuur van het batterijpakket niet in goede staat is, zal het de oplaadfunctie regelen en stoppen. De oplaadfunctie wordt automatisch hersteld wanneer de gedetecteerde batterijtemperatuur binnen normale grenzen terugkeert.



C. Aan-/Uitzetten en koppelen

Dit product is voorzien van een Bluetooth-ontvangstfunctie, u kunt er geen Bluetooth-audio mee sturen: dit betekent dat u van een externe bron zoals een smartphone draadloos een Bluetooth-audiosignaal kunt ontvangen.



1. Houd de toets **“⏻ (1)”** ingedrukt om het apparaat aan te zetten. Een reeks tonen zijn te horen. Als het in de klokmodus is, drukt u op de **“M-toets (2)”** om over te schakelen naar de Bluetooth-modus. Het icoontje **“📶”** knippert snel op het display.



2. Activeer vervolgens de Bluetooth-functie van uw mobiele apparaat (bijv. een mobiele telefoon of persoonlijke computer) en het apparaat zal automatisch de Bluetooth-scanmodus starten. Zo niet, druk dan op de gerelateerde selectie om de zoekmodus handmatig te starten. (raadpleeg indien nodig de gebruikershandleiding van het apparaat)
3. Uw mobiele apparaat zal **“Lenco BAR-013”** in de lijst tonen, en vervolgens selecteert u deze om te koppelen. Wacht enkele seconden en u zult het bericht verbonden zien op uw mobiele apparaat. (Voor sommige Bluetooth-apparaten moet u wellicht **“0000”** invoeren als koppelingswachtwoord.)

4. Als het koppelen is gelukt, dan zal het icoontje “” constant op het display verschijnen.
5. Nu kunt u muziek afspelen via het muziekprogramma van het mobiele apparaat.
6. Houd de toets “ (1)” ingedrukt om het apparaat uit te zetten wanneer deze niet wordt gebruikt.


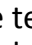
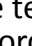

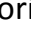
D. Een gekoppeld apparaat ontkoppelen

1. Houd de toets “ (6)” ingedrukt om naar de nieuwe modus “Zoeken/koppelen” te schakelen. Het gekoppelde apparaat wordt verbroken.
2. Of kies voor “Disconnect” (Ontkoppelen) van het gekoppelde Bluetooth-apparaat, dat op uw mobiele apparaat wordt getoond.
3. In dit geval; de Bluetooth-luidspreker keert binnen enkele seconden terug naar de modus “Zoeken/Koppelen”, er klinkt een reeks tonen en het icoontje “” knippert snel op het display.
4. U kunt nu naar wens een ander mobiel apparaat koppelen of de Bluetooth-luidspreker uitschakelen.

E. Automatisch opnieuw verbinden van een gekoppeld apparaat en nieuw koppelen

1. Elke keer wanneer u de Bluetooth-luidspreker aanzet en de Bluetooth-modus opent; zal deze eerst naar het mobiele apparaat zoeken dat al eerder gekoppeld is en nog steeds in de lijst staat. De Bluetooth-luidspreker zal als prioriteit opnieuw verbinding maken met dit mobiele apparaat wanneer ingesteld op de Bluetooth zoekmodus.
2. Indien niet gevonden binnen enkele seconden, zal de Bluetooth-luidspreker intern een nieuwe koppelmodus starten.
3. Nu kunt u het proces volgen dat nodig is voor het koppelen van een nieuw mobiel apparaat. (raadpleeg item D.3~6-methoden)

F. Bedieningsfunctie Bluetooth muziekweergave

1. Druk tijdens het afspelen van muziek op de toets “ (6)” om de muziek te pauzeren. Druk het nogmaals om de muziek te hervatten.
2. Houd de toets “ (7)” ingedrukt om het volume te verhogen.
3. Houd de toets “ (5)” ingedrukt om het volume te verlagen.
4. Wanneer het maximale of minimale volume wordt bereikt, zullen er enkele tonen klinken.
5. Druk eenmaal op de toets “ (7)” om naar de volgende muziek te gaan.
6. Druk eenmaal op de toets “ (5)” om naar de vorige muziek te gaan.

G. Instellen van de tijd

1. Schakel de Bluetooth-luidspreker in en druk op de **“M-toets (2)”** om naar de tijdmodus te schakelen.



2. Houd de **“M-toets (2)”** ingedrukt om naar het instellen van de uren te gaan, het aantal uren knippert op het LED-display.
3. Druk op de toets **“< (5)”** of **“> (7)”** om de uurtijd als huidige tijd aan te passen.
4. Druk kort op de toets **“▶ (6)”** om de ingestelde uurtijd te bevestigen en ga naar minuten instellen. Het aantal minuten knippert op het LED-display;
5. Druk op de toets **“< (5)”** of **“> (7)”** om de minuuttijd als huidige tijd aan te passen.
6. Druk kort op de toets **“▶ (6)”** om de ingestelde minuuttijd te bevestigen.
7. Het instellen van de tijd is voltooid en de tijd van de klok wordt op het LED-display weergegeven.

H. Timerfunctie

1. Druk eenmaal op de toets **“⏸ (3)”** om de timermodus te openen. De standaardinstelling is 5 minuten. Het tijdbereik van de timer is van 0-300 minuten.
2. Druk op de toets **“< (5)”** of **“> (7)”** om de gewenste tijd aan te passen.
3. Druk nadat de timer is ingesteld op de toets **“▶ (6)”** om de instelling op te slaan of automatisch op te slaan binnen 5 seconden. De timer begint minstens 1 minuut af te tellen.
4. Wanneer de tijd van de timer is bereikt, zijn er een reeks pieptonen te horen. Druk op de toets **“⏸ (1)”** of de toets **“⏸ (3)”** om het uit te zetten.
5. Druk lang op de toets **“⏸ (3)”** indien de timerinstelling moet worden geannuleerd.

I. Wekkerfunctie

1. Druk in de tijdmodus op de toets **“▶ (6)”** om de wekker in te stellen. **“ALAR” > “UIT”** zal op het scherm verschijnen. U kunt op de toets **“> (7)”** drukken om de wekker AAN te zetten.
2. Wanneer **“AAN”** op het scherm verschijnt, drukt u op de toets **“▶ (6)”** om naar uren instellen te gaan.
3. Druk op de toets **“< (5)”** of **“> (7)”** om de uurtijd naar wens in te

stellen.

4. Druk kort op de toets “▶| (6)” om de ingestelde uurtijd te bevestigen en ga naar minuten instellen. Het aantal minuten knippert op het LED-display;
5. Druk op de toets “< (5)” of “> (7)” om de minuuttijd naar wens in te stellen.
6. Druk kort op de toets “▶| (6)” om de ingestelde minuuttijd te bevestigen.
7. Wanneer het alarm is ingesteld, laat het een reeks pieptonen horen en pas vervolgens het alarmvolume aan.
8. Druk op de toets “< (5)” of “> (7)” om het volumeniveau naar wens in te stellen.
9. Druk kort op de toets “▶| (6)” om het volumeniveau te bevestigen en het volume van de ingestelde wekker is voltooid.
10. Druk eenmaal op de toets “⏻ (1)” om het alarm te stoppen.

J. Handsfree-functie

1. Wanneer er een oproep binnenkomt tijdens de Bluetooth muzikafspeel-modus;
2. Het oproepsignaal zal klinken en het afspelen van de muziek zal automatisch worden gepauzeerd.
3. Druk op de toets “▶| (6)” om de oproep te beantwoorden.
4. Nu hebt u de handsfree-functie op de Bluetooth-luidspreker.
5. Druk nogmaals op de toets “▶| (6)” om het gesprek te beëindigen. En de gepauzeerde muziek zal automatisch beginnen met afspelen.
6. Houd de toets “▶| (6)” ongeveer 3 seconden ingedrukt om een inkomende oproep te weigeren.

Tip: spreek rechtstreeks in het gat “MIC (8)” met een afstand van 30 ~ 60 cm om de beste prestaties van de telefoonluidspreker te krijgen.

K. Functie laatst gekozen nummer opnieuw bellen

1. Het laatst gekozen nummer opnieuw door de Bluetooth-luidspreker laten bellen, zelfs als het in de muzikafspeel-modus is.
2. Druk tweemaal op de toets “▶| (6)” om de functie opnieuw kiezen te openen. De muziek wordt gepauzeerd en wordt overgeschakeld naar de handsfree-functie voor opnieuw kiezen.
3. Druk nogmaals op de toets “▶| (6)” om de oproep op te beëindigen.
4. Zorg ervoor dat uw mobiele telefoon een laatst gekozen nummer heeft, zo niet, dan kan de functie opnieuw bellen niet worden geactiveerd.

L. FM-functie

Handmatig radiofrequentie afstemmen:

1. Druk op de “M-toets (2)” om de FM-modus te openen.



2. Houd de toets “▶ (6)” ingedrukt om de modus automatisch zoeken te openen.
3. De FM-radio zoekt de frequenties vanaf het begin (87,5 MHz) tot het einde (108,0 MHz) en slaat de gezochte stations automatisch op.
4. Na het zoeken zal het automatisch afspelen vanaf het eerst gezochte station (P01).

Handmatig radiofrequentie afstemmen:

1. Druk op de toets “▶ (6)” om de modus voor handmatige frequentie-aanpassing te openen, druk eenmaal op de toets “> (7)” of “< (5)” om het station te kiezen. Druk na het selecteren van het radiostation op de toets “▶ (6)” om te bevestigen. P01 verschijnt op het scherm “LED (4)”.
2. U kunt radiozender P01-P30 selecteren met de toets “> (7)” of “< (5)”, druk nogmaals op de toets “▶ (6)” om te bevestigen.

Bediening FM afspelen:

1. Druk eenmaal op de toets “> (7)” om naar het volgende station te gaan.
2. Druk eenmaal op de toets “< (5)” om naar het vorige station te gaan.
3. Houd de toets “> (7)” ingedrukt om het volume te verhogen.
4. Houd de toets “< (5)” ingedrukt om het volume te verlagen.
5. Druk tweemaal op de “M-toets (2)” om terug te keren naar de Bluetooth-modus.

M. Herinnering lege batterij en automatische slaapstand

1. De Bluetooth-luidspreker zal elke minuut een toon laten horen. Als u dit herinneringsgeluid hoort en u wilt het apparaat blijven gebruiken, sluit het apparaat dan aan op een USB-voeding om het op te laden.
2. Zo niet, dan zal de Bluetooth-luidspreker automatisch uitschakelen nadat de batterijcapaciteit voor enkele minuten laag blijft.
3. In dit geval kan het apparaat niet worden aangezet, omdat de oplaadbare batterij geen energie genoeg heeft, totdat de batterij tenminste 10 tot 15 minuten is opgeladen.

N. Resetten

In bepaalde omstandigheden kan het apparaat vast komen te zitten tijdens het gebruik. Dit apparaat is ontworpen met een ingebouwde mini-tactschakelaar te vinden achter de oortelefoonuitgang die als een resetfunctie werkt om het apparaat te resetten.

Terugstellen:

- Gebruik een stokje van 1 mm of iets dergelijks (zoals een tandenstoker) en steek het stokje voorzichtig met de botte kant in het gat van de oortelefoonaansluiting totdat u voelt dat u het uiteinde raakt. Dat is de toetsschakelaar.
- Oefen dan een beetje meer druk uit en u zult een klik horen en de schakelaar voelen terugduwen. Het apparaat is gereset en herstart na enkele seconden.

Belangrijk: De speler niet resetten als hij goed functioneert.

O. Probleemoplossing	
Geen spanning	<ul style="list-style-type: none">• Controleer of de batterij voldoende is opgeladen.• Controleer of het apparaat UIT staat.
Geen geluid	<ul style="list-style-type: none">• Controleer of het volume op de luidspreker en/of de mobiele telefoon of de PC/Mac te laag is ingesteld.• Verzeker u ervan, dat uw Bluetooth-apparaat zich binnen het effectieve werkzame bereik bevindt.• Controleer of het Bluetooth-apparaat is gekoppeld.• Controleer of het Bluetooth-apparaat aangeeft dat het is verbonden.• Controleer of u de juiste audiobron hebt geselecteerd.
Geen radiostation	<ul style="list-style-type: none">• Controleer of de radio correct op het FM-station is afgestemd.
Geen reactie van de luidspreker	<ul style="list-style-type: none">• Start de luidspreker opnieuw door hem uit en aan te zetten.

P. Specificaties		
Afmetingen	78 mm (L) x 79 mm (B) x 46 mm (H) (Vacuümcupule niet inbegrepen)	
Gewicht	112 g (ongeveer)	
Bluetooth	Specificaties	V5.0
	Ondersteunde profielen	A2DP, AVRCP, HFP
	Verbindingsafstand	10 meter (open gebied)
FM-radio	Afstembereik	87,5 MHz – 108 MHz
	Geheugen	30 stations (max.)

	voorkeuzezenders	
	Antenne	Draadloos type
Ingebouwde batterij	Lithium 3,7 V, 1000 mAh	
	Oplaadtijd: ongeveer 2~3 uur	
	Afspeeltijd: ongeveer 3~4 uur (bij max. volume-instelling)	
Voedingsbron	Micro-USB-poort	
	Stroomvoorziening van USB-poort van een PC of 5 V gelijkspanning, 500 mA	
Audio	Uitgangsvermogen	3W (RMS)
	Frequentiebereik	80 Hz tot 16,000 Hz
Waterbestendigheid	Spatbestendig	IPX4
Bedrijfstemperatuur	0 tot 40°C	

Commented [JFS2]: Tot 9 uur.

Q. Garantie

Lenco biedt service en garantie aan overeenkomstig met de Europese wetgeving. Dit houdt in dat u, in het geval van reparaties (zowel tijdens als na de garantieperiode), uw lokale handelaar moet contacteren.

Belangrijke opmerking: Het is niet mogelijk om producten die gerepareerd moeten worden direct naar Lenco te sturen.

Belangrijke opmerking: De garantie verloopt als een onofficieel servicecenter het apparaat op wat voor manier dan ook heeft geopend, of er toegang toe heeft gekregen.

Het apparaat is niet geschikt voor professioneel gebruik. In het geval van professioneel gebruik worden alle garantieverplichtingen van de fabrikant nietig verklaard.

R. Disclaimer

Er worden regelmatig updates in de firmware en/of hardwarecomponenten gemaakt. Daardoor kunnen gedeelten van de instructie, de specificaties en afbeeldingen in deze documentatie enigszins verschillen van uw eigen situatie. Alle onderwerpen die staan beschreven in deze handleiding zijn bedoeld als illustratie en zijn niet van toepassing op specifieke situaties. Aan de beschrijving in dit document kunnen geen rechten worden ontleend.

S. Afvoer van het oude apparaat



Dit symbool geeft aan dat het betreffende elektrische product of de batterij niet moet worden verwijderd als algemeen huishoudelijk afval in Europa. Zorg voor een juiste afvalverwerking door het product en de batterij in overeenstemming met alle van toepassing zijnde lokale wetten voor het verwijderen van elektrische apparatuur of batterijen te verwijderen. Als u dit doet, helpt u de natuurlijke hulpbronnen te behouden en de standaard van milieubescherming te verbeteren bij de behandeling en verwijdering van elektrisch afval (Afgedankte Elektrische en Elektronische Apparatuur).

T. CE-markering

Lenco Benelux B.V., Thermiekstraat 1a, 6361 HB Nuth, Nederland, verklaart hierbij dat dit product voldoet aan de vereisten van de essentiële EU-richtlijnen. De conformiteitsverklaring kan worden opgevraagd via techdoc@commaxxgroup.com



U. Garantie

Bezoek voor meer informatie en helpdeskondersteuning www.lenco.com
Lenco Benelux BV, Thermiekstraat 1a, 6361 HB, Nederland.

ACHTUNG:

Eine andere als die hier beschriebene Bedienung, Einstellung oder Verwendung der Funktionen kann zu gefährlicher Strahlenbelastung führen.

VORSICHTSMASSNAHMEN VOR DER BENUTZUNG**BEFOLGEN SIE IMMER FOLGENDE ANWEISUNGEN:**

1. Blockieren oder bedecken Sie keine Lüftungsöffnungen. Wenn Sie das Gerät auf ein Regal stellen, lassen Sie um das gesamte Gerät 5 cm (2") freien Platz.
2. Stellen Sie das Gerät entsprechend den Anweisungen der mitgelieferten Bedienungsanleitung auf.
3. Halten Sie das Gerät von Hitzequellen wie Radiatoren, Heizern, Öfen, Kerzen oder anderen hitzeerzeugenden Produkten oder offenen Flammen fern. Das Gerät darf nur bei gemäßigttem Klima verwendet werden. Sehr kalte oder heiße Umgebungen sind zu vermeiden. Der Betriebstemperaturbereich liegt zwischen 0 °C und 35 °C.
4. Meiden Sie bei der Nutzung des Produkts die Nähe starker Magnetfelder.
5. Elektrostatische Entladungen können die normale Verwendung von diesem Gerät stören. Sollte dies geschehen, führen Sie einfach einen Reset aus und starten Sie dann das Gerät entsprechend den Anweisungen dieser Bedienungsanleitung neu. Gehen Sie besonders bei Datenübertragungen mit dem Gerät vorsichtig um und führen Sie diese nur in einer antielektrostatischen Umgebung aus.
6. Warnung! Niemals Gegenstände durch die Lüftungsschlitze oder Öffnungen in das Gerät stecken. In diesem Gerät fließt Hochspannung und das Hineinstecken von Gegenständen kann zu elektrischem Schock und/oder Kurzschluss interner elektrischer Bauteile führen. Aus dem gleichen Grund kein Wasser oder Flüssigkeiten in das Gerät geben.
7. Benutzen Sie das Gerät nicht in nasser oder feuchter Umgebung wie Bad, Dampfküche oder in der Nähe von Schwimmbecken.
8. Das Gerät darf weder Tropf- noch Spritzwasser ausgesetzt werden und es dürfen keine mit Flüssigkeit gefüllten Behälter wie z.B. Vasen auf das Gerät oder in der Nähe des Gerätes gestellt werden.
9. Benutzen Sie das Gerät nicht bei Kondensationsgefahr. Wenn Sie das Gerät in einem warmen feuchten Raum benutzen, dann können sich im Inneren des Geräts Wassertropfen oder Kondensationen bilden und zu Fehlfunktionen des Geräts führen. Schalten Sie in diesem Fall das Gerät für 1 – 2 Stunden aus, bevor Sie es erneut einschalten: Das

Gerät sollte vollständig getrocknet sein, wenn Sie es wieder einschalten.

10. Obwohl dieses Gerät unter größter Sorgfalt und vor Auslieferung mehrmals überprüft wurde, können trotzdem wie bei jedem anderen elektrischen Gerät auch Probleme auftauchen. Trennen Sie das Gerät im Falle einer Raumentwicklung, starker Hitzeentwicklung oder jeden anderen unnatürlichen Erscheinung sofort vom Netz.
11. Dieses Gerät ist durch eine Stromquelle wie auf dem Typenschild angegeben zu betreiben. Halten Sie bei Unsicherheiten über die Art Ihrer Stromversorgung in Ihrer Wohnung Rücksprache mit Ihrem Händler oder Ihrer Stromzuliefererfirma.
12. Halten Sie es von Haustieren fern. Einige Nagetiere lieben es, an Netzkabeln zu nagen.
13. Benutzen Sie für die Reinigung ein weiches und trockenes Tuch. Benutzen Sie niemals Lösungsmittel oder Flüssigkeiten auf Ölbasis. Benutzen Sie zum Entfernen hartnäckiger Flecken ein feuchtes Tuch mit mildem Reinigungsmittel.
14. Der Hersteller haftet nicht für Schäden oder Verluste durch Fehlfunktion, Zweckentfremdung oder Modifikation des Geräts oder durch Wechseln der Batterien.
15. Unterbrechen Sie die Verbindung nicht während einer Formatierung oder einer Datenübertragung. Bei Unterbrechung drohen Datenverlust und Datenbeschädigung.
16. Wenn das Gerät eine USB-Wiedergabefunktion besitzt, dann stecken Sie den USB-Stick direkt in das Gerät. Verwenden Sie kein USB-Verlängerungskabel, weil die erhöhte Störungsanfälligkeit zu Datenverlust führen könnte.
17. Das Typenschild befindet sich an der Unter- oder Rückseite des Geräts.
18. Dieses Gerät ist nicht zur Benutzung durch Personen (einschließlich Kinder) mit physischen, sensorischen oder mentalen Beeinträchtigungen oder ohne ausreichender Erfahrung vorgesehen, es sei denn, sie werden durch eine verantwortliche Person beaufsichtigt oder wurden in die ordnungsgemäße Bedienung des Gerätes durch eine für ihre Sicherheit verantwortliche Person eingewiesen.
19. Dieses Produkt ist nur für den nicht-professionellen Gebrauch und nicht für gewerbliche oder industrielle Zwecke bestimmt.
20. Stellen Sie sicher, dass das Gerät in einer stabilen Position aufgestellt ist. Schäden aufgrund Verwendung dieses Produkts in einer instabilen Position, Vibrationen, Stöße oder Nichtbeachtung der anderen in dieser Bedienungsanleitung enthaltenen Warnungen und Sicherheitshinweise werden nicht durch die Garantie abgedeckt.
21. Entfernen Sie niemals das Gehäuse dieses Produkts.

22. Stellen Sie das Produkt niemals auf andere elektrische Geräte.
23. Halten Sie Kinder von den Plastiktüten fern.
24. Benutzen Sie nur vom Hersteller spezifizierte Erweiterungen/Zubehörteile.
25. Lassen Sie alle Eingriffe von qualifiziertem Servicepersonal ausführen. Eingriffe werden notwendig, wenn das Gerät auf irgendeine Weise wie beispielsweise am Netzkabel oder am Netzstecker beschädigt wurde, Flüssigkeit in das Gerät eingedrungen ist, Gegenstände in das Gerät gefallen sind, das Gerät Regen oder Feuchtigkeit ausgesetzt war, es heruntergefallen ist oder nicht ordnungsgemäß funktioniert.
26. Langes Hören lauter Töne aus einem Musikgerät kann zum zeitweiligen oder permanenten Hörverlust führen.
27. Wenn zum Lieferumfang des Produkts ein Netzkabel oder ein Netzadapter gehört:
 - Wenn irgendwelche Probleme auftreten, dann ziehen Sie den Netzstecker aus der Netzsteckdose und setzen Sie sich anschließend mit einer qualifizierten Fachkraft in Verbindung.
 - Treten Sie nicht auf das Netzteil und klemmen Sie es auch nicht ein. Geben Sie besonders im näheren Bereich des Steckers und der Stelle acht, wo das Kabel aus dem Gerät herausgeführt wird. Stellen Sie keine schweren Gegenstände auf das Netzteil, weil es dadurch beschädigt werden könnte. Halten Sie das gesamte Gerät außerhalb der Reichweite von Kindern! Durch Spielen mit dem Netzkabel können sie sich ernsthafte Verletzungen zuziehen.
 - Trennen Sie das Gerät während eines Gewitters oder bei längerer Nichtbenutzung vom Netz.
 - Die Wandsteckdose muss sich in der Nähe des Geräts befinden und einfach zu erreichen sein.
 - Steckdosen und Verlängerungsleitungen nicht überlasten. Eine Überlastung kann zu Brandgefahr bzw. Stromschlag führen.
 - Geräte der Schutzklasse 1 sind an eine Netzsteckdose mit Schutzleiter anzuschließen.
 - Geräte der Schutzklasse 2 benötigen keinen Schutzleiteranschluss.
 - Halten Sie den Netzstecker in der Hand, wenn Sie ihn aus der Netzsteckdose ziehen. Ziehen Sie ihn nicht durch Zerren am Kabel heraus. Das kann zu einem Kurzschluss führen.
 - Verwenden Sie weder ein beschädigtes Netzkabel noch einen beschädigten Stecker oder eine lockere Steckdose. Es besteht Brand- und Stromschlaggefahr.
28. Wenn das Produkt mit einer Fernbedienung mit Batterien/Knopfzellen geliefert wird oder das Produkt eine derartige Fernbedienung umfasst:
Warnung:
 - „Die Batterie nicht einnehmen, er besteht Verätzungsgefahr“.

- [Die mit diesem Produkt mitgelieferte Fernbedienung] enthält eine Knopf-Batterie. Das Verschlucken der Batterie kann innerhalb von nur 2 Stunden zu schwersten inneren Verbrennungen mit Todesfolge führen.
- Halten Sie neue und gebrauchte Batterien von Kindern fern.
- Verwenden Sie dieses Produkt nicht weiter und halten Sie es von Kindern fern, wenn das Batteriefach nicht sicher schließt.
- Suchen Sie umgehend ärztliche Hilfe auf, wenn Sie vermuten, dass Batterien verschluckt oder in Körperöffnungen eingeführt wurden.

29. Warnhinweise bzgl. der Verwendung von Batterien:

- Es besteht Explosionsgefahr, wenn die Batterien nicht korrekt eingelegt werden. Nur mit Batterien des gleichen oder entsprechenden Typs ersetzen.
- Die Batterie darf während der Benutzung, Aufbewahrung oder des Transports weder sehr hohen oder sehr niedrigen Temperaturen noch niedrigem Luftdruck in großen Höhenlagen ausgesetzt werden.
- Die Ersetzung der Batterie mit einem falschen Batterietyp kann zum Explodieren der Batterie oder dem Auslaufen von entflammbarem Gas oder entflammbarer Flüssigkeit aus der Batterie führen.
- Die Entsorgung der Batterie in Feuer oder einem heißen Ofen oder das mechanische Zerkleinern oder Zerteilen der Batterie kann zu Explosionen führen.
- Das Verbleiben der Batterie in einer Umgebung mit sehr hohen Temperaturen kann zum Explodieren der Batterie oder dem Auslaufen von entflammbarem Gas oder entflammbarer Flüssigkeit führen.
- Eine in einem sehr niedrigen Luftdruck ausgesetzte Batterie kann explodieren oder es kann aus einer in einem sehr niedrigen Luftdruck ausgesetzten Batterie entflammbares Gas oder entflammbare Flüssigkeit auslaufen.
- Augenmerk ist auf den ökologischen Aspekt der Batterieentsorgung zu legen.

ANSCHLUSS

- Packen Sie alle Teile aus und entfernen Sie danach die Schutzmaterialien.
- Schließen Sie das Gerät nicht eher an das Netz an, bevor Sie die Netzspannung überprüft haben und alle anderen notwendigen Verbindungen hergestellt sind.



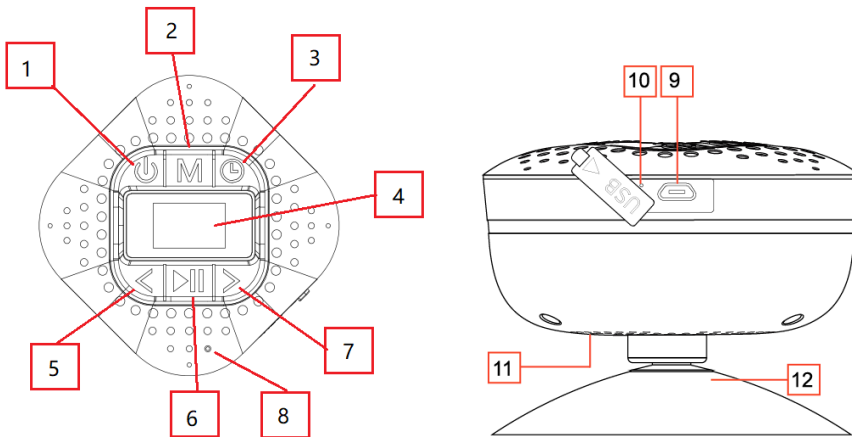
Warnung

- Entfernen Sie niemals das Gehäuse dieses Geräts.
- Stellen Sie dieses Gerät niemals auf andere elektrische Geräte.

Hinweis

- Beachten Sie bei der Entsorgung des Geräts folgende Hinweise: Alle Batterien und Akkus müssen aus dem Produkt entfernt werden (Entfernung von Altbatterien und alten Akkus).
- Lassen Sie den integrierten Akku des Produkts nur von einem Experten entfernen.

A. Aussehen und Bedienelemente



Komponente	Steuerung
1	⏻-Taste
2	M-Taste
3	⌚-Taste
4	LED-Display
5	<-Taste
6	▶ -Taste
7	>-Taste
8	Mikrofonöffnung
9	MicroUSB-Port
10	Öffnung zum Zurücksetzen des Gerätes
11	Lautsprecher
12	Saugnapf

B. Informationen zur wiederaufladbaren Batterie und zum Laden

1. Betrifft die wiederaufladbare Lithium-Batterie
 - Dieser Bluetooth-Lautsprecher verfügt über eine nicht austauschbare Batterie. Laden Sie für die beste Performance der Batterie diese vor der Erstbenutzung dieses Bluetooth-Lautsprechers ca. 2 – 3 Stunden bzw. solange auf, bis das Batteriesymbol anzeigt, dass die Batterie vollständig geladen ist.
 - Für den Erhalt der Batterie-Lebensdauer und Batterieleistung ist die Batterie nach längerer Nichtverwendung erneut aufzuladen. Laden Sie die Batterie mindestens einmal pro Monat auf.
2. Um die interne Batterie aufzuladen:
 - Verbinden Sie die „**microUSB-Buchse (9)**“ des Bluetooth-Lautsprechers über ein USB-Kabel mit einem USB-Port Ihres Computers. Das Batteriesymbol in der rechten unteren Ecke des „**LED-Displays (4)**“ blinkt, wodurch das Laden der Batterie angezeigt wird.
 - Trennen Sie nach Beendigung des Ladevorganges das USB-Kabel vom Gerät.

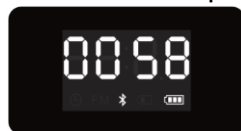
Hinweis:

Der Lautsprecher besitzt einen eingebauten Temperaturüberwachungssensor. Wenn er feststellt, dass die Temperatur des Batteriepacks nicht den Anforderungen entspricht, dann regelt und beendet er die Ladefunktion. Die Ladefunktion wird automatisch fortgesetzt, wenn die Temperatur des Batteriepacks wieder innerhalb der Anforderungen liegt.

C. Einschalten und Koppeln

Dieses Produkt besitzt eine Bluetooth-**Empfangsfunktion, mit der Sie jedoch keine Klänge über Bluetooth übertragen können**, d. h. Sie können nur Bluetooth-Audiosignale von externen Quellen wie beispielsweise einem Smartphone kabellos empfangen.

1. Halten Sie die „**⏻-Taste (1)**“ gedrückt, um das Gerät einzuschalten. Eine Tonfolge ertönt. Wenn sich das Gerät im Uhrenmodus befindet, dann drücken Sie die „**M-Taste (2)**“, um in den Bluetooth-Modus zu wechseln, woraufhin das „**📶**“-Symbol auf dem Display schnell blinkt.



2. Aktivieren Sie nun die Bluetooth-Funktion Ihres Mobilgeräts (wie

- beispielsweise Mobiltelefon oder Laptop). Das Gerät sollte automatisch mit der Suche nach Bluetooth-Geräten beginnen. Wenn nicht, starten Sie durch Auswahl der entsprechenden Funktion die Suche manuell. (Schlagen Sie gegebenenfalls im Benutzerhandbuch Ihres Geräts nach)
3. In der Liste gefundener Geräte sollte nun „**Lenco BAR-013**“ erscheinen. Wählen Sie es zum Koppeln aus. Warten Sie einige Sekunden, bis Sie nachfolgende Verbindungsnachricht auf Ihrem mobilen Gerät sehen können. (Für einige Bluetooth-Geräte müssen Sie „**0000**“ als Kennwort für die Kopplung eingeben.)
 4. Wenn das Koppeln erfolgreich war, dann wird das „**Ⓜ**“-Symbol auf dem Display dauerhaft angezeigt.
 5. Nun können Sie die Musik Ihres Mobilgerätes mit dessen Programm für die Musikwiedergabe wiedergeben lassen.
 6. Halten Sie die „**⏻-Taste (1)**“ gedrückt, um das Gerät auszuschalten, wenn Sie es nicht mehr benutzen.

D. Trennen vom gekoppelten Gerät

1. Halten Sie die „**⏻-Taste (6)**“ gedrückt, um in den „Suchen/ Koppeln“-Modus zu wechseln, woraufhin die Verbindung des bereits gekoppelten Geräts getrennt wird.
2. Oder Sie können auf Ihrem mobilen Gerät „**Disconnect**“ (**Trennen**) aus der Liste der gekoppelten Geräte wählen.
3. In diesem Fall wechselt der Bluetooth-Lautsprecher nach einigen Sekunden wieder in den „**Suchen/Koppeln**“-Modus. Es ertönt eine Tonfolge und das „**Ⓜ**“-Symbol blinkt auf dem Display schnell.
4. Jetzt können Sie entweder ein anderes Mobilgerät koppeln oder aber auch den Bluetooth-Lautsprecher ausschalten.

E. Automatisches Wiederverbinden gekoppelter Geräte und Neues Koppeln

1. Jedes Mal, wenn Sie Ihren Bluetooth-Lautsprecher einschalten und in den Bluetooth-Modus wechseln, wird dieser zuerst das Mobilgerät suchen, mit dem er gekoppelt war, bevor er ausgeschaltet wurde und das sich deshalb noch in seinem Speicher befindet. Wenn sich dieses Gerät im Suchmodus befindet, wird sich der Bluetooth-Lautsprecher bevorzugt mit diesem Gerät verbinden.
2. Falls jedoch innerhalb einiger Sekunden dieses Gerät nicht gefunden werden kann, wechselt der Bluetooth-Lautsprecher automatisch in den Such-/Kopplungsmodus.
3. Nun können Sie mit der Kopplung neuer mobiler Geräte fortfahren. (siehe Abschnitt D unter den Methoden 3 – 6)

F. Steuerungsfunktion der Bluetooth-Musikwiedergabe

1. Drücken Sie während der Musikwiedergabe die „**▶-Taste (6)**“, um die Wiedergabe der Musik zu pausieren. Drücken Sie diese Taste zum Fortsetzen der Wiedergabe erneut.
2. Halten Sie die Taste „**>-Taste (7)**“ gedrückt, um die Lautstärke zu erhöhen.
3. Halten Sie die Taste „**<-Taste (5)**“ gedrückt, um die Lautstärke zu senken.
4. Wurde die Minimal- bzw. Maximallautstärke erreicht, ertönen verschiedene Sounds.
5. Drücken Sie die „**>-Taste (7)**“ einmal, um zum nächsten Titel zu springen.
6. Drücken Sie die „**<-Taste (5)**“ einmal, um zum vorherigen Titel zu springen.

G. Zeiteinstellung

1. Schalten Sie den Bluetooth-Lautsprecher ein und drücken Sie dann die „**M-Taste (2)**“, um in den Zeitmodus zu wechseln.



2. Halten Sie die „**M-Taste (2)**“ gedrückt, um zur Stundeneinstellung zu gelangen, woraufhin die Stundenstelle des LED-Displays blinkt.
3. Drücken Sie oder halten Sie die „**<-Taste (5)**“ oder „**>-Taste (7)**“ gedrückt, um die Stunde der aktuellen Zeit einzustellen.
4. Drücken Sie die „**▶-Taste (6)**“ kurz, um Ihre Stundeneinstellung zu bestätigen und zur Minuteneinstellung zu wechseln. Auf dem LED-Display blinkt nun die Minutenstelle.
5. Drücken Sie oder halten Sie die „**<-Taste (5)**“ oder „**>-Taste (7)**“ gedrückt, um die Minute der aktuellen Zeit einzustellen.
6. Drücken Sie die „**▶-Taste (6)**“ kurz, um Ihre Minuteneinstellung zu bestätigen.
7. Hiermit ist die Zeiteinstellung beendet und die Uhrzeit wird auf dem LED-Display angezeigt.

H. Timerfunktion

1. Drücken Sie die „**Ⓢ-Taste (3)**“ einmal, um in den Tunermodus zu wechseln. Die Standardeinstellung beträgt 5 Minuten. Sie können den Timer im Bereich von 0 bis 300 Minuten einstellen.
2. Drücken Sie oder halten Sie die „**<-Taste (5)**“ oder „**>-Taste (7)**“ gedrückt, um die gewünschte Timerzeit einzustellen.
3. Drücken Sie nach Beendigung der Timereinstellung die „**▶-Taste (6)**“, um sie zu speichern oder warten Sie, bis nach 5 Sekunden die Einstellungen automatisch gespeichert werden. Der Timer beginnt die Zeit herunterzuzählen.

4. Wenn die Timerzeit vollständig heruntergezählt wurde, ertönt eine Folge von Piepstönen. Drücken Sie die „**⏻-Taste (1)**“ oder die „**⏻-Taste (3)**“, um den Timerton auszuschalten.
5. Drücken Sie die „**⏻-Taste (3)**“ lang, wenn Sie die Timereinstellung annullieren möchten.

I. Weckerfunktion

1. Drücken Sie im Zeitmodus die „**▶-Taste (6)**“, um zur Weckereinstellung zu wechseln. Auf dem Display erscheint „**ALAR (ALARM)**“ > „**OFF (AUS)**“. Durch Drücken der „**▶-Taste (7)**“ können Sie den Wecker EINSCHALTEN.
2. Wenn auf dem Display „**ON**“ (Ein) angezeigt wird, dann drücken Sie die „**▶-Taste (6)**“, um zur Stundeneinstellung zu gelangen.
3. Drücken Sie oder halten Sie die „**<-Taste (5)**“ oder „**▶-Taste (7)**“ gedrückt, um die Stunde der gewünschten Weckzeit einzustellen.
4. Drücken Sie die „**▶-Taste (6)**“ kurz, um Ihre Stundeneinstellung zu bestätigen und zur Minuteneinstellung zu wechseln. Auf dem LED-Display blinkt nun die Minutenstelle.
5. Drücken Sie oder halten Sie die „**<-Taste (5)**“ oder „**▶-Taste (7)**“ gedrückt, um die Minute der gewünschten Weckzeit einzustellen.
6. Drücken Sie die „**▶-Taste (6)**“ kurz, um Ihre Minuteneinstellung zu bestätigen.
7. Wenn Sie die Weckzeiteinstellung abgeschlossen haben, dann ertönen verschiedene Piepstöne. Anschließend können Sie die Weckklanglautstärke einstellen.
8. Drücken Sie oder halten Sie die „**<-Taste (5)**“ oder „**▶-Taste (7)**“ gedrückt, um den gewünschten Lautstärkepegel einzustellen.
9. Drücken Sie die „**▶-Taste (6)**“ kurz, um den eingestellten Lautstärkepegel zu bestätigen. Hiermit ist die Weckereinstellung abgeschlossen.
10. Drücken Sie die „**⏻-Taste (1)**“ einmal, um den Weckton zu beenden.

J. Freisprech-Funktion

1. Wenn Sie im Bluetooth- Musikwiedergabe-Modus einen Anruf bekommen,
2. ertönt der Klingelton und die Musikwiedergabe wird automatisch pausiert.
3. Drücken Sie die „**▶-Taste (6)**“, wenn Sie den Anruf annehmen möchten.
4. Jetzt können Sie die Freisprech-Funktion über den Bluetooth-Lautsprecher nutzen.
5. Drücken Sie die „**▶-Taste (6)**“ erneut, um den Anruf zu beenden. Daraufhin wird die Musikwiedergabe automatisch fortgesetzt.
6. Halten Sie die „**▶-Taste (6)**“ 3 Sekunden lang gedrückt, um den Anruf

abzulehnen.

Tip: Sprechen Sie für eine bestmögliche Sprachqualität in einem Abstand von ca. 30 – 60 cm direkt in die „**MIKROFONÖFFNUNG (8)**“.

K. Die Funktion „Wahlwiederholungsfunktion für den letzten Anruf“

1. Für die Wiederwahl der zuletzt durch die Bluetooth-Funktion gewählten Nummer – auch während der Musikwiedergabe.
2. Drücken Sie die „ **▶| -Taste (6)**“ zweimal, um zur Wahlwiederholungsfunktion zu wechseln, woraufhin für die Wahlwiederholung die Musikwiedergabe pausiert und die Freisprechfunktion aktiviert wird.
3. Drücken Sie erneut die Taste „**▶| (6)**“ um den wahlwiederholten Anruf zu beenden.
4. Stellen Sie sicher, dass Ihr Mobiltelefon die Wahlwiederholung verwendet. Sollte dies nicht der Fall sein, kann die Funktion Wahlwiederholung für den letzten Anruf nicht aktiviert werden.

L. FM-Funktion

Manuelle Radiofrequenzabstimmung:

1. Drücken Sie die „**M-Taste (2)**“, um in den FM-Modus zu wechseln.



2. Halten Sie die „**▶| -Taste (6)**“ gedrückt, um in den automatischen Schnellsuchmodus zu wechseln.
3. Das FM-Radio beginnt seine Suche bei 87,5 MHz und sucht aufwärts bis zu 108,0 MHz nach Radiosendern, die automatisch gespeichert werden.
4. Nach Beendigung der Suche wird automatisch der erste gefundene Radiosender (P01) wiedergegeben.

Manuelle Radiofrequenzabstimmung:

1. Drücken Sie die „**▶| -Taste (6)**“, um in den manuellen Frequenzeinstellmodus zu wechseln. Drücken Sie nun die „**>-Taste (7)**“ oder die „**<-Taste (5)**“, um einen Radiosender auszuwählen. Drücken Sie nach Auswahl des Radiosenders zur Bestätigung die „**▶| -Taste (6)**“, woraufhin auf dem „**LED-Display (4)**“ P01 erscheint.
2. Sie können mit Hilfe der „**>-Taste (7)**“ oder der „**<-Taste (5)**“ zwischen den Radiosendern P01 – P30 auswählen. Drücken Sie zur Bestätigung Ihrer Auswahl die „**▶| -Taste (6)**“ erneut.

FM-Wiedergabesteuerung:

1. Drücken Sie die „**>-Taste (7)**“ einmal, um zum nächsten Radiosender

- zu springen.
2. Drücken Sie die „<-Taste (5)“ einmal, um zum vorherigen Radiosender zu springen.
 3. Halten Sie die Taste „>-Taste (7)“ gedrückt, um die Lautstärke zu erhöhen.
 4. Halten Sie die Taste „<-Taste (5)“ gedrückt, um die Lautstärke zu senken.
 5. Drücken Sie die „M-Taste (2)“ zweimal, um zum Bluetooth-Modus zurückzukehren.

M. Erinnerung „Niedrige Batterieladung“ und Auto-Schlaf

1. Der Bluetooth-Lautsprecher lässt jede Minute einen Klang ertönen. Verbinden Sie das Gerät mit einem USB-Ladegerät, wenn Sie dieses Erinnerungssignal hören, damit Sie das Gerät weiterhin benutzen können.
2. Verbinden Sie den Bluetooth-Lautsprecher nicht, wird er sich einige Minuten später automatisch ausschalten, wenn die Batterieladung weiterhin niedrig bleibt.
3. In diesem Fall kann das Gerät erst wieder eingeschaltet werden, wenn die Batterie für mindestens 10 - 15 Minuten aufgeladen wurde, da die Batterie nicht über genügend Energie verfügt.

N. Reset

Unter Umständen kann das Gerät bei normaler Verwendung „einfrieren“. Dieses Gerät ist mit einem integrierten Mini-TACT-Schalter ausgestattet, der sich hinter der Ohrhörerbuchse befindet. Mit ihm können Sie das Gerät rücksetzen, indem Sie in das Loch der Ohrhörerbuchse drücken. Dabei wird das Gerät neu gestartet.

Um das Gerät zurückzusetzen:

- Benutzen Sie einen 1-mm-dicken Stab oder ein ähnliches Objekt (wie beispielsweise einen Zahnstocher) und führen Sie diesen vorsichtig mit der stumpfen Seite solange in die Ohrhöreröffnung ein, bis Sie das andere Ende spüren. Dies ist die Oberfläche des Taktschalters.
- Mit dem Gegenstand etwas Druck ausüben bis ein Klicken zu hören ist. Das Gerät ist zurückgesetzt und startet in wenigen Sekunden neu.

Wichtig: Setzen Sie das Gerät nicht zurück, wenn es ordnungsgemäß funktioniert.

O. Fehlersuche

- Überprüfen Sie, ob die Batterie ausreichend

Kein Strom	aufgeladen ist. <ul style="list-style-type: none"> • Überprüfen Sie, ob sich das Gerät im ausgeschalteten Zustand befindet.
Kein Ton	<ul style="list-style-type: none"> • Überprüfen Sie, ob der eingestellte Lautstärkepegel Ihres Lautsprechers, Mobilgeräts oder PCs gering ist. • Stellen Sie sicher, dass sich Ihr Bluetooth-Gerät innerhalb der effektiven Reichweite befindet. • Überprüfen Sie, ob das Bluetooth-Gerät gekoppelt ist. • Überprüfen Sie, ob das Bluetooth-Gerät die Kopplung anzeigt. • Überprüfen Sie, ob Sie die richtige Audio-Quelle ausgewählt haben.
Kein Radiosender	<ul style="list-style-type: none"> • Überprüfen Sie, ob die Frequenz des Radiosenders ordnungsgemäß eingestellt und gespeichert ist.
Keine Reaktion des Lautsprechers	<ul style="list-style-type: none"> • Starten Sie den Lautsprecher durch Aus- und anschließendes Einschalten neu.

P. Technische Daten

Abmessung	78 mm (L) x 79 mm (B) x 46 mm (H) (ohne Saugknopf)	
Gewicht	112 g (angenähert)	
Bluetooth	Technische Daten	V5.0
	Unterstützte Profile	A2DP, AVRCP, HFP
	Verbindungsentfernung	10 Meter (im Freien)
FM-Radio	Abstimmbereich	87,5 MHz – 108 MHz
	Speicherplätze	30 Radiosender (max.)
	Antenne	Drahtlosausführung
Integrierte Batterie	Lithium-Ionen 3,7 V/1000 mAh	
	Ladezeit: Ca. 2 – 3 Stunden	
	Wiedergabezeit: Ca. 3 – 4 Stunden (bei max. Lautstärkepegel)	
Stromquelle	MicroUSB-Port	
	Stromversorgung eines PC-USB-Ports oder 5 V DV/500 mA	
Audio	Ausgangsleistung	3 W (RMS)

Commented [JFS3]: Bis zu 9 Stunden

	Frequenzgang	80 Hz – 16 000 Hz
Wasserbeständigkeit	Spritzwassergeschützt	IPX4
Betriebstemperatur	0 bis 40 °C	

Q. Garantie

Lenco bietet Leistungen und Garantien im Einklang mit Europäischem Recht. Im Falle von Reparaturen (sowohl während als auch nach Ablauf der Garantiezeit) sollten Sie deshalb Ihren Einzelhändler kontaktieren.

Wichtiger Hinweis: Es ist nicht möglich, Geräte für Reparaturen direkt an Lenco zu schicken.

Wichtiger Hinweis: Falls dieses Gerät von einem nicht autorisierten Kundendienst geöffnet oder darauf zugegriffen wird, erlischt die Garantie.

Dieses Gerät ist nicht für professionelle Zwecke geeignet. Falls das Gerät für professionelle Zwecke eingesetzt wird, erlöschen alle Garantieverpflichtungen seitens des Herstellers.

R. Haftungsausschluss

Aktualisierungen der Firmware und/oder Hardware-Komponenten werden regelmäßig durchgeführt. Daher können einige der Anweisungen, Spezifikationen und Abbildungen in dieser Dokumentation von Ihrer individuellen Situation abweichen. Alle in diesem Handbuch beschriebenen Elemente dienen nur zur Illustration und treffen auf Ihre individuelle Situation möglicherweise nicht zu. Aus der in diesem Handbuch getätigten Beschreibung können keine Rechtsansprüche oder Ansprüche geltend gemacht werden.

S. Entsorgung des Altgeräts



Dieses Symbol zeigt an, dass das entsprechende Produkt oder dessen Batterie in Europa nicht mit dem normalen Hausmüll entsorgt werden darf. Um die ordnungsgemäße Abfallbehandlung des Produkts und dessen Batterie zu gewährleisten, müssen diese im Einklang mit allen anwendbaren örtlichen Vorschriften zur Entsorgung von Elektrogeräten und Batterien entsorgt werden. Dabei helfen Sie, natürliche Ressourcen zu schonen und Umweltschutzstandards zur Verwertung und Entsorgung von Altgeräten aufrecht zu halten (Waste Electrical and Electronic Equipment Directive).

T. CE-Kennzeichen

Hiermit erklärt Lenco Benelux B.V., Thermiekstraat 1a, 6361 HB Nuth, The Netherlands, dass dieses Produkt den grundsätzlichen Anforderungen der

EU-Richtlinie entspricht. Die Konformitätserklärung ist erhältlich unter techdoc@commaxxgroup.com



U. Garantie

Weitere Informationen und Unterstützung erhalten Sie unter

www.lenco.com

Lenco Benelux BV, Thermiekstraat 1a, 6361 HB, Die Niederlande.

FRANÇAIS

BAR-013

ATTENTION :

L'utilisation de commandes ou d'ajustements ou l'exécution de

procédures autres que celles spécifiées dans le présent document peuvent entraîner une exposition dangereuse aux radiations.

PRÉCAUTIONS AVANT UTILISATION

GARDEZ CES INSTRUCTIONS À L'ESPRIT :

1. Ne couvrez pas et n'obtenez pas les ouvertures de ventilation. Lorsque vous placez l'appareil sur une étagère, laissez 5 cm (2") d'espace libre tout autour de l'appareil.
2. Installez-le conformément au mode d'emploi fourni.
3. Gardez l'appareil à l'écart des sources de chaleur telles que des radiateurs, appareils de chauffage, fours, bougies et autres produits générant de la chaleur ou une flamme nue. L'appareil ne peut être utilisé que dans des climats modérés. Les environnements extrêmement froids ou chauds doivent être évités. La plage de température de fonctionnement se situe entre 0° et 35° C.
4. Évitez d'utiliser l'appareil à proximité de champs magnétiques puissants.
5. Des décharges électrostatiques peuvent perturber le fonctionnement de cet appareil. Dans ce cas, il suffit de réinitialiser et de redémarrer l'appareil en suivant le mode d'emploi. Pendant le transfert de fichiers, manipulez l'appareil avec précaution et faites-le fonctionner dans un environnement sans électricité statique.
6. Mise en garde ! N'introduisez jamais un objet dans l'appareil par les ouvertures et les fentes de ventilation. Étant donné que des tensions élevées sont présentes à l'intérieur du produit, l'insertion d'un objet peut entraîner une électrocution et/ou court-circuiter les composants internes. Pour les mêmes raisons, ne versez pas de l'eau ou un liquide sur le produit.
7. Ne l'utilisez pas dans des endroits humides tels qu'une salle de bain, une cuisine pleine de vapeur ou à proximité d'une piscine.
8. L'appareil ne doit pas être exposé à des écoulements ou des éclaboussures et aucun objet contenant un liquide, tel qu'un vase, ne doit être posé sur ou près de l'appareil.
9. N'utilisez pas cet appareil lorsque de la condensation est possible. Lorsque l'appareil est utilisé dans une pièce humide et chaude, des gouttelettes d'eau ou de la condensation peuvent se former à l'intérieur de l'appareil et affecter son fonctionnement. Laissez l'appareil hors tension pendant 1 ou 2 heures avant de le mettre en marche : l'appareil doit être sec avant sa mise sous tension.
10. Bien que ce dispositif soit fabriqué avec le plus grand soin et contrôlé à plusieurs reprises avant de quitter l'usine, des problèmes peuvent néanmoins survenir, comme avec tous les appareils électriques. Si l'appareil émet de la fumée ou en cas d'accumulation excessive de la

chaleur ou d'un phénomène inattendu, débranchez immédiatement la fiche d'alimentation du secteur.

11. Cet appareil doit fonctionner avec la source d'alimentation indiquée sur la plaque signalétique. Si vous n'êtes pas sûr du type d'alimentation utilisé chez vous, contactez votre revendeur ou le fournisseur local d'électricité.
12. Tenez l'appareil à l'abri des animaux. Certains animaux aiment ronger les cordons électriques.
13. Pour nettoyer l'appareil, servez-vous d'un chiffon doux et sec. N'utilisez pas de solvant ni d'autre liquide à base de pétrole. Pour enlever les taches importantes, vous pouvez vous servir d'un chiffon humide imbibé d'une solution de détergent diluée.
14. Le fournisseur n'est pas responsable des dommages ou pertes de données causés par un dysfonctionnement, une utilisation abusive, une modification de l'appareil ou un remplacement de la batterie.
15. N'interrompez pas la connexion lorsque l'appareil formate ou transfère des fichiers. Dans le cas contraire, les données pourraient être endommagées ou perdues.
16. Si l'appareil a une fonction de lecture USB, il faut brancher la clé USB directement sur l'appareil. N'utilisez pas un câble d'extension USB, car cela peut causer des interférences entraînant des pertes de données.
17. L'étiquette de classification se trouve sur le panneau inférieur ou arrière de l'appareil.
18. Cet appareil ne doit pas être utilisé par des personnes (y compris les enfants) souffrant de déficiences physiques, sensorielles ou mentales, ou d'un manque d'expérience et de connaissances, à moins qu'elles n'aient été supervisées ou qu'une personne responsable de leur sécurité ne leur ait donné des instructions sur l'utilisation correcte de l'appareil.
19. Ce produit est réservé à un usage non professionnel, et non pas à un usage commercial ni industriel.
20. Vérifiez que l'appareil est en position stable. La garantie ne couvre pas les dégâts occasionnés par l'utilisation de cet appareil en position instable, par les vibrations, les chocs ou par la non-observation de tout autre avertissement ou précaution contenus dans ce mode d'emploi.
21. N'ouvrez jamais cet appareil.
22. Ne placez jamais cet appareil sur un autre appareil électrique.
23. Ne laissez pas les sacs en plastique à la portée des enfants.
24. Utilisez uniquement les accessoires recommandés par le fabricant.
25. Confiez l'entretien et les réparations à un personnel qualifié. Une réparation est nécessaire lorsque l'appareil a été endommagé de quelque façon que ce soit, par exemple lorsque le cordon

d'alimentation ou la prise sont endommagés, lorsqu'un liquide s'est déversé ou des objets sont tombés sur l'appareil, lorsque l'appareil a été exposé à la pluie ou à l'humidité, lorsqu'il ne fonctionne pas correctement ou est tombé.

26. Une exposition prolongée à la musique avec un volume élevé peut entraîner une perte auditive temporaire ou permanente.

27. Si l'appareil est livré avec un câble d'alimentation ou un adaptateur secteur :

- En cas de problème, débranchez le cordon d'alimentation CA et confiez l'entretien à un personnel qualifié.
- Ne marchez pas sur l'adaptateur secteur ou ne le coincez pas. Faites très attention, en particulier à proximité des fiches et du point de sortie du câble. Ne placez pas d'objets lourds sur l'adaptateur secteur, car ils pourraient l'endommager. Gardez l'appareil hors de portée des enfants ! Ils pourraient se blesser gravement s'ils jouent avec le câble d'alimentation.
- Débranchez cet appareil pendant les orages ou lorsqu'il n'est pas utilisé pendant une longue durée.
- La prise secteur doit être installée près de l'appareil et doit être facilement accessible.
- Ne surchargez pas les prises de courant ou les rallonges. Une surcharge peut entraîner un incendie ou une électrocution.
- Les appareils de classe 1 doivent être branchés à une prise de courant disposant d'une connexion protectrice à la terre.
- Les appareils à la norme de construction de classe 2 ne nécessitent pas de connexion à la terre.
- Tirez toujours sur la fiche pour débrancher le cordon de la prise secteur. Ne tirez pas sur le cordon d'alimentation. Cela pourrait provoquer un court-circuit.
- N'utilisez pas un cordon ou une fiche d'alimentation endommagé ni une prise desserrée. Vous courez un risque d'incendie ou de décharge électrique.

28. Si le produit contient ou est livré avec une télécommande contenant des piles boutons :

Avertissement :

- « N'ingérez pas la pile, car vous risquez une brûlure chimique » ou une formule équivalente.
- La télécommande fournie contient une pile bouton/pièce de monnaie. Si la pile est avalée, elle peut causer de graves brûlures internes en seulement 2 heures et peut entraîner la mort.
- Tenez les piles neuves et usagées hors de portée des enfants.
- Si le compartiment à piles ne se ferme pas correctement, cessez d'utiliser l'appareil et tenez-le hors de portée des enfants.

- Si vous pensez que les piles ont été avalées ou placées à l'intérieur d'une partie du corps, consultez un médecin immédiatement.
29. Mise en garde relative à l'utilisation des piles :
- Risque d'explosion si la pile est mal remplacée. Remplacez les piles par des piles d'un type identique ou équivalent.
 - Pendant l'utilisation, le stockage ou le transport, la pile ne doit pas être soumise à des températures extrêmement élevées ou basses, à une faible pression d'air à haute altitude.
 - Le remplacement d'une pile par une autre de type incorrect peut entraîner une explosion ou une fuite de liquide ou de gaz inflammable.
 - L'introduction d'une pile dans le feu ou dans un four chaud, l'écrasement ou le découpage mécanique peut entraîner une explosion.
 - L'exposition d'une pile dans un environnement à température extrêmement élevée peut entraîner une explosion ou une fuite de liquide ou de gaz inflammable.
 - L'exposition d'une pile à une pression d'air extrêmement basse peut entraîner une explosion ou une fuite de liquide ou de gaz inflammable.
 - Veuillez considérer les questions environnementales lors de la mise au rebut des piles.

INSTALLATION

- Déballez toutes les pièces et enlevez le matériau de protection.
- Ne connectez pas l'unité au secteur avant d'avoir vérifié la tension du secteur et avant que toutes les autres connexions n'aient été effectuées.



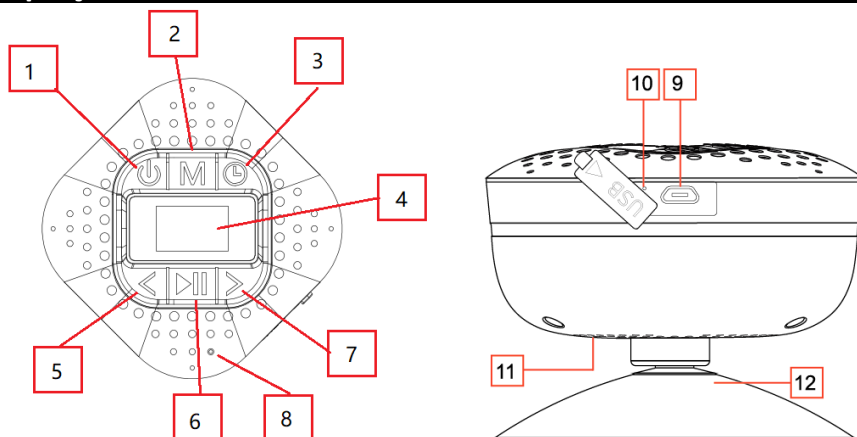
Avertissement

- Ne retirez jamais le boîtier de l'appareil.
- Ne placez jamais l'appareil sur un autre équipement électrique.

Remarque

- Si vous devez mettre au rebut ce produit par la suite : toutes les piles et tous les accumulateurs doivent être enlevés de cet appareil (mise au rebut des piles et des accumulateurs usagés).
- Apportez toujours votre appareil à un professionnel pour qu'il enlève la batterie intégrée.

A. Aperçu et commandes



Élément	Commande
1	Touche
2	Touche M
3	Touche
4	Affichage LED
5	Touche <
6	Touche
7	Touche >
8	Microphone
9	Port micro USB
10	Orifice de réinitialisation
11	Haut-parleur
12	Ventouse

B. À propos de la batterie rechargeable et de la charge

1. Au sujet de la batterie rechargeable au lithium

- Cette enceinte Bluetooth dispose d'une batterie interne qui n'est pas remplaçable par l'utilisateur. Pour un fonctionnement optimal, la première fois que vous utilisez cette enceinte Bluetooth, chargez l'appareil pendant environ 2 à 3 heures ou jusqu'à ce que l'icône de la batterie indique la charge complète.
- Si vous n'utilisez pas l'enceinte pendant un certain temps, il est conseillé de recharger la batterie afin qu'elle conserve une durée de vie et des performances optimales. Rechargez la batterie au moins une

fois par mois.

2. Pour recharger la batterie intégrée :



- Branchez la prise **micro USB (9)** de l'enceinte Bluetooth à un port USB d'un ordinateur au moyen d'un câble USB. Si l'icône de la batterie clignote dans le coin inférieur droit de l'écran **LED (4)**, la charge de l'appareil est en cours.
- Une fois terminé, débranchez le câble USB.

Remarque :

Le haut-parleur contient un capteur intégré pour la surveillance de la température. S'il détecte que la température du bloc-batterie n'est pas en bon état, il contrôle et arrête la fonction de charge. La fonction de charge sera automatiquement rétablie lorsque la température détectée du bloc-batterie revient dans les limites normales.


C. Mise en marche et couplage

Ce produit est doté d'une fonction de **réception** bluetooth, **vous ne pouvez pas l'utiliser pour transmettre un son bluetooth** : cela signifie que vous pouvez recevoir sans fil un signal sonore bluetooth d'une source externe comme un smartphone.



1. Appuyez quelques instants sur la touche  **(1)** pour allumer l'appareil. L'appareil émettra une série de sons. Si l'appareil est en mode horloge, appuyez sur la touche **M (2)** pour passer en mode Bluetooth. L'icône  se mettra à clignoter rapidement sur l'écran.



2. Activez ensuite la fonction Bluetooth sur votre dispositif mobile (par ex. téléphone mobile ou ordinateur personnel). Le dispositif passera automatiquement en mode de recherche Bluetooth. Dans le cas contraire, appuyez sur la commande prévue pour accéder manuellement au mode de recherche (référez-vous à votre guide d'utilisation si nécessaire).
3. Votre dispositif mobile doit afficher « **Lenco BAR-013** » dans la liste, puis effectuez la sélection pour le couplage. Patientez quelques instants : un message de connexion apparaîtra sur votre dispositif mobile. Dans le cas de certains appareils Bluetooth, il est nécessaire de saisir le mot de passe suivant : **0000**.
4. Si le couplage a réussi, l'icône  s'affichera en continu sur l'écran.
5. Vous pouvez désormais reproduire de la musique sur votre dispositif mobile.

6. Appuyez quelques instants sur la touche  (1) pour éteindre l'appareil s'il n'est pas utilisé.






D. Se déconnecter d'un dispositif couplé

1. Appuyez quelques instants sur la touche  (6) pour passer en mode de couplage/recherche d'un nouveau dispositif. Le dispositif déjà couplé sera déconnecté.
2. Sinon, appuyez sur « **Disconnect** » (**Déconnecter**) dans la liste des appareils connectés sur votre dispositif mobile.
3. Dans ce cas, l'enceinte Bluetooth Speaker reviendra en mode de **recherche/couplage** en quelques secondes. L'appareil émettra une série de sons et l'icône  se mettra à clignoter rapidement sur l'écran.
4. Vous pouvez maintenant coupler un nouveau dispositif mobile ou éteindre l'enceinte Bluetooth, comme vous le souhaitez.

E. Reconnexion automatique à un dispositif couplé et nouveau couplage

1. Chaque fois que vous allumez l'enceinte Bluetooth et que vous accédez au mode Bluetooth, l'appareil recherchera en premier le dernier dispositif mobile qui a été couplé et encore en mémoire. L'enceinte Bluetooth se reconnectera à ce dispositif mobile en priorité, si elle est en mode de recherche d'appareils Bluetooth.
2. S'il n'est pas détecté en quelques secondes, l'enceinte Bluetooth passera alors en mode de nouveau couplage en interne.
3. Vous pouvez désormais coupler l'appareil à un nouveau dispositif mobile (référez-vous aux méthodes du paragraphe D, point 3 à 6).

F. Fonction de commande de lecture audio Bluetooth

1. Lors de la reproduction de la musique, appuyez sur la touche  (6) pour la mettre en pause. Pour reprendre la musique, réappuyez sur la touche.
2. Appuyez quelques instants sur la touche  (7) pour augmenter le volume.
3. Appuyez quelques instants sur la touche  (5) pour diminuer le volume.
4. Si le volume maximum ou minimum est atteint, l'appareil émettra une série de sons.
5. Appuyez sur la touche  (7) pour reproduire la musique suivante.
6. Appuyez sur la touche  (5) pour reproduire la musique précédente.

G. Réglage de l'heure

1. Allumez l'enceinte Bluetooth, puis appuyez sur la touche **M** (2) pour

passer en mode horloge.



2. Appuyez quelques instants sur la touche **M (2)** pour accéder au réglage de l'heure. Les chiffres de l'heure se mettront à clignoter sur l'écran LED.
3. Appuyez sur la touche **< (5)** ou **> (7)** pour régler les heures de l'heure actuelle.
4. Appuyez brièvement sur la touche **▶ (6)** pour confirmer les heures réglées et passer au réglage des minutes. Les chiffres des minutes se mettront à clignoter sur l'écran LED.
5. Appuyez sur la touche **< (5)** ou **> (7)** pour régler les minutes de l'heure actuelle.
6. Appuyez brièvement sur la touche **▶ (6)** pour confirmer les minutes.
7. Le réglage de l'heure est terminé et l'horloge s'affiche sur l'écran LED.

H. Fonction de minuterie

1. Appuyez une fois sur la touche **⌚ (3)** pour accéder au mode minuterie. La minuterie par défaut est de 5 min. La durée de la minuterie peut être réglée de 0 à 300 min.
2. Appuyez sur la touche **< (5)** ou **> (7)** pour régler la durée souhaitée.
3. Une fois la durée de la minuterie réglée, appuyez sur la touche **▶ (6)** pour enregistrer le réglage, sinon il sera automatiquement enregistré après 5 s. Le compte à rebours commencera à la dernière minute.
4. Une fois la minuterie écoulée, l'appareil émettra une série de sons. Appuyez sur la touche **⏻ (1)** ou **⌚ (3)** pour désactiver la minuterie.
5. Appuyez longuement sur la touche **⌚ (3)**, si nécessaire, pour annuler le réglage de la minuterie.

I. Fonction de réveil

1. En mode horloge, appuyez sur la touche **▶ (6)** pour accéder au réglage du réveil. L'indication « **ALAR > ARRÊT** » s'affichera sur l'écran. Vous pouvez appuyer sur la touche **> (7)** pour mettre l'option sur « **MARCHE** » et activer ainsi le réveil.
2. Quand l'option « **MARCHE** » s'affiche sur l'écran, appuyez sur la touche **▶ (6)** pour accéder au réglage de l'heure de réveil.
3. Appuyez sur la touche **< (5)** ou **> (7)** pour régler les heures de l'heure de réveil désirée.
4. Appuyez brièvement sur la touche **▶ (6)** pour confirmer les heures réglées et passer au réglage des minutes. Les chiffres des minutes se mettront à clignoter sur l'écran LED.

5. Appuyez sur la touche < (5) ou > (7) pour régler les minutes de l'heure de réveil désirée.
6. Appuyez brièvement sur la touche ► (6) pour confirmer les minutes.
7. Une fois l'heure de réveil réglée, l'appareil émettra une série de sons et vous pourrez ajuster le volume du réveil.
8. Appuyez sur la touche < (5) ou > (7) pour régler le niveau de volume désiré.
9. Appuyez brièvement sur la touche ► (6) pour confirmer le niveau de volume. Le réglage du réveil est à présent terminé.
10. Appuyez une fois sur la touche ⏻ (1) pour arrêter le réveil.

J. Fonction mains libres

1. Lors d'un appel entrant en mode reproduction de la musique Bluetooth :
2. La sonnerie retentira et la musique se mettra automatiquement en pause.
3. Appuyez sur la touche ► (6) pour répondre à l'appel si vous le souhaitez.
4. Vous pouvez à présent utiliser la fonction mains libres de l'enceinte Bluetooth.
5. Appuyez de nouveau sur la touche ► (6) pour mettre fin à l'appel. La musique qui a été mise en pause reprendra automatiquement.
6. Appuyez sur la touche ► (6) pendant 3 s pour refuser l'appel.

Conseil : parlez directement au niveau du **microphone (8)** à une distance comprise entre 30 et 60 cm pour obtenir de meilleures performances lors de la conversation, si nécessaire.

K. Fonction de rappel du dernier numéro

1. Cette fonction permet de rappeler le dernier numéro par le biais de l'enceinte Bluetooth, même lorsque celle-ci est en mode reproduction de musique.
2. Appuyez deux fois sur la touche ► (6) pour accéder à la fonction de rappel. La reproduction de la musique sera interrompue et le mode mains libre sera activé pour recomposer le numéro.
3. Une fois l'appel terminé, appuyez à nouveau sur la touche ► (6) pour raccrocher.
4. Assurez-vous que la fonction rappel du dernier numéro est bien active sur votre téléphone mobile, Dans le cas contraire, cette fonction ne peut pas être activée sur l'appareil.

L. Fonction radio FM

Syntonisation automatique de la fréquence radio :

1. Appuyez sur la touche **M (2)** pour accéder au mode radio FM.



2. Appuyez quelques instants sur la touche **▶** (6) pour accéder au mode de recherche automatique des stations.
3. Les fréquences radio de 87,5 MHz à 108,0 MHz seront balayées et les stations radio détectées seront automatiquement enregistrées.
4. Une fois la recherche terminée, la première station trouvée (P01) sera automatiquement reproduite.

Syntonisation automatique de la fréquence radio :

1. Appuyez sur la touche **▶** (6) pour accéder au mode de réglage manuel de la fréquence. Appuyez une fois sur la touche **>** (7) ou **<** (5) pour choisir une station. Une fois la station radio sélectionnée, appuyez sur la touche **▶** (6) pour confirmation. L'indication P01 s'affichera sur l'écran **LED** (4).
2. Vous pouvez sélectionner un numéro de station radio entre P01 et P30 en appuyant sur la touche **>** (7) ou **<** (5), puis réappuyez sur la touche **▶** (6) pour confirmation.

Commande de reproduction FM :

1. Appuyez sur la touche **>** (7) pour reproduire la station suivante.
2. Appuyez sur la touche **<** (5) pour reproduire la station précédente.
3. Appuyez quelques instants sur la touche **>** (7) pour augmenter le volume.
4. Appuyez quelques instants sur la touche **<** (5) pour diminuer le volume.
5. Pour revenir au mode Bluetooth, appuyez deux fois sur la touche **M** (2).

M. Alerte de batterie faible et veille automatique

1. L'enceinte Bluetooth émet des tonalités chaque minute. Une fois que vous entendez cette tonalité de rappel, veuillez brancher l'appareil à l'alimentation USB pour le recharger si vous souhaitez continuer à l'utiliser.
2. Dans le cas contraire, l'enceinte Bluetooth s'éteindra automatiquement quand la batterie est presque épuisée en quelques minutes.
3. Il est dans ce cas impossible d'allumer l'enceinte sans d'abord recharger la batterie pendant 10 à 15 min (le niveau de batterie n'étant pas suffisamment élevé pour la maintenir allumée).

N. Réinitialisation

Dans certains cas, l'appareil peut se bloquer pendant l'utilisation. Cet appareil comporte un mini interrupteur tactile, situé derrière la prise des écouteurs et accessible en passant par son orifice, permettant de réinitialiser l'appareil en le redémarrant.

Pour réinitialiser l'appareil :

- Munissez-vous d'une tige de 1 mm ou d'un objet similaire (par ex. un cure-dents), puis insérez avec précaution la tige (en utilisant le côté émoussé) dans l'orifice de réinitialisation jusqu'à vous sentez que vous touchez l'extrémité. Cela signifie que la pointe est en contact avec la surface du bouton de réinitialisation.
- Appuyez un peu plus jusqu'à entendre un déclic et sentir un retour du bouton. L'appareil se réinitialise et redémarre quelques secondes plus tard.

Important : ne réinitialisez pas l'appareil lorsqu'il fonctionne correctement.

O. Dépannage	
Pas d'alimentation	<ul style="list-style-type: none">• Vérifiez si la batterie est suffisamment rechargée.• Vérifiez si l'appareil est éteint.
Aucun son	<ul style="list-style-type: none">• Vérifiez si le niveau du volume est réglé au minimum sur l'enceinte et le téléphone mobile ou l'ordinateur/Mac.• Vérifiez que votre appareil Bluetooth est à portée de fonctionnement.• Vérifiez que l'appareil Bluetooth est bien couplé.• Vérifiez si l'appareil Bluetooth semble bien connecté.• Vérifiez si vous avez bien sélectionné une source audio valide.
Pas de station radio	<ul style="list-style-type: none">• Vérifiez si la station FM est syntonisée à la bonne fréquence et programmée.
Aucune réponse de l'enceinte	<ul style="list-style-type: none">• Redémarrez l'enceinte à l'aide du bouton marche/arrêt.

P. Caractéristiques		
Dimensions	(L x l x H) 78 x 79 x 46 mm (les dimensions de la ventouse ne sont pas incluses)	
Poids	Environ 112 g	
Bluetooth	Caractéristiques	V5.0
	Profil pris en charge	A2DP, AVRCP, HFP
	Distance de connexion	10 mètres (zone ouverte)
Radio FM	Gamme de syntonisation	87,5 à 108 MHz
	Mémoire pré-réglée	30 stations (max.)

	Antenne	Type sans fil
Batterie intégrée	Lithium 3,7 V, 1000 mAh	
	Temps de charge : 2 à 3 heures	
	Autonomie en lecture : environ 3 à 4 heures (à un niveau de volume maximum)	
Source d'alimentation	Port micro USB	
	Alimentation sur port USB d'un ordinateur ou 5 V CC, 500 mA	
Audio	Puissance de sortie	3 W (RMS)
	Réponses en fréquence	80 à 16 000 Hz
Résistant à l'eau	Résistant aux éclaboussures	IPX4
Température de fonctionnement	0 à 40 °C	

Commented [JFS4]: Jusqu'à 9 heures

Q. Garantie

Lenco propose un entretien et une garantie conformément à la législation européenne, ce qui signifie qu'en cas de besoin de réparation (aussi bien pendant et après la période de garantie), vous pouvez contacter votre revendeur le plus proche.

Remarque importante : Il n'est pas possible de renvoyer l'appareil pour réparation directement à Lenco.

Remarque importante : Si l'unité est ouverte ou modifiée de quelque manière que ce soit par un réparateur non agréé, la garantie serait caduque.

Cet appareil ne convient pas à une utilisation professionnelle. En cas d'utilisation professionnelle, les obligations de garantie du fabricant seront annulées.

R. Clause de non-responsabilité

Des mises à jour du logiciel et/ou des composants informatiques sont régulièrement effectuées. Il se peut donc que certaines instructions, caractéristiques et images présentes dans ce document diffèrent légèrement de votre configuration spécifique. Tous les articles décrits dans ce guide le sont fournis uniquement à des fins d'illustration et peuvent ne pas s'appliquer à une configuration spécifique. Aucun droit légal ne peut être obtenu depuis les informations contenues dans ce manuel.

S. Mise au rebut de l'appareil usagé



Ce symbole indique que l'équipement électrique concerné ou la batterie ne doivent pas être jetés parmi les autres déchets ménagers en Europe. Afin de garantir un traitement approprié de la batterie ou de l'appareil usagés, veuillez les mettre au rebut conformément à la réglementation locale en vigueur relative aux équipements électriques et autres batteries. En agissant de la sorte, vous contribuerez à la préservation des ressources naturelles et à l'amélioration des niveaux de protection environnementale concernant le traitement et la destruction des déchets électriques (Directive sur les déchets des équipements électriques et électroniques).

T. Marquage CE

Par la présente, Lenco Benelux B.V., Thermiekstraat 1a, 6361 HB Nuth, Pays-Bas, déclare que ce produit est conforme aux exigences principales des directives européennes. La déclaration de conformité peut être consultée au lien : techdoc@commaxxgroup.com



U. Garantie

Pour en savoir plus et obtenir de l'assistance, visitez www.lenco.com
Lenco Benelux BV, Thermiekstraat 1a, 6361 HB, The Netherlands.

PRECAUCIÓN:

El uso de controles o ajustes o rendimiento de procedimientos excepto aquellos que los aquí especificados puede provocar una exposición peligrosa a la radiación.

PRECAUCIONES PREVIAS AL USO**TENGA ESTAS INSTRUCCIONES EN MENTE:**

1. No cubra o bloquee ninguna apertura de ventilación. Cuando coloque el dispositivo en una estantería, deje 5 cm (2") de espacio libre alrededor de todo el dispositivo.
2. Instálelo conforme al manual de usuario que se adjunta.
3. Mantenga el aparato alejado de fuentes de calor, como radiadores, calentadores, estufas, velas u otros productos que generen calor o llama viva. El aparato solo puede usarse en climas moderados. Se deben evitar los ambientes extremadamente fríos o cálidos. La gama de temperatura de funcionamiento es de entre 0° y 35°C.
4. Evite usar el dispositivo cerca de campos magnéticos fuertes.
5. Una descarga electrostática puede entorpecer el uso normal de este dispositivo. En tal caso, simplemente reinícielo siguiendo el manual de instrucciones. Durante la transmisión de archivos, por favor manéjelo con cuidado opérelo en un entorno libre de electricidad estática.
6. ¡Advertencia! Nunca inserte un objeto en el producto a través de las ventilaciones o aperturas. Alto voltaje fluye a través del producto e insertar un objeto puede provocar una descarga eléctrica y/o un cortocircuito de sus componentes internos. Por el mismo motivo, no derrame agua o líquidos en el producto.
7. No lo utilice en zonas húmedas, como cuartos de baño, cocinas en las que se forme vapor ni cerca de piscinas.
8. El aparato no debe exponerse a goteos o salpicaduras y asegúrese de que se colocan sobre o cerca del aparato objetos llenos de líquidos, como jarrones.
9. No use este dispositivo cuando se pueda producir condensación. Cuando la unidad se usa en una sala húmeda cálida, se pueden formar gotitas de agua o condensación en el interior de la unidad y esta puede no funcionar adecuadamente; deje que la unidad se apague durante 1 o 2 horas antes de volver a encender la unidad: el aparato debe estar seco antes de conectarse a una fuente de alimentación.
10. Aunque este dispositivo está fabricado con el máximo cuidado y comprobado varias veces antes de salir de fábrica, todavía es posible que se puedan producir problemas, al igual que con todos los aparatos eléctricos. Si observa la aparición de humo, una acumulación

- excesiva de calor o cualquier otro fenómeno inesperado, deberá desconectar inmediatamente el enchufe de la toma de corriente.
11. Este dispositivo debe funcionar con una fuente de alimentación que se especifica en la etiqueta de especificaciones. Si no está seguro del tipo de alimentación que se usa en su hogar, consulte con el distribuidor o una compañía eléctrica local.
 12. Manténgalo alejado de los animales. A algunos animales les encanta morder los cables de alimentación.
 13. Para limpiar el dispositivo use un paño seco y suave. No utilice líquidos disolventes ni con base de petróleo. Para eliminar manchas difíciles, puede usar un paño húmedo con detergente diluido.
 14. El proveedor no asume ninguna responsabilidad por daños o datos perdidos provocados por un funcionamiento incorrecto, uso incorrecto, modificación del dispositivo o sustitución de la batería.
 15. No interrumpa la conexión cuando el dispositivo esté formateando o transfiriendo archivos. En caso contrario, los datos se pueden estropear o perder.
 16. Si la unidad dispone de función de reproducción USB, se debe conectar la memoria USB directamente en la unidad. No utilice un cable de extensión USB ya que pueden crear interferencias que causen una pérdida de datos.
 17. La etiqueta calificativa se encuentra en la parte inferior o en el panel posterior del aparato.
 18. Este dispositivo no está diseñado para su uso por parte de personas (incluyendo niños) con discapacidad física, sensorial o mental o con falta de experiencia o conocimientos, salvo que se les haya dado supervisión o instrucciones acerca del uso correcto del dispositivo por parte de una persona responsable de su seguridad.
 19. Este producto está diseñado para un uso no profesional únicamente y no para un uso comercial o industrial.
 20. Asegúrese de que la unidad esté fijada en una posición estable. La garantía no cubrirá los daños derivados de usar este producto en una posición inestable, vibraciones o golpes o por no seguir otras advertencias o precauciones que aparecen en este manual de usuario.
 21. Nunca retire la carcasa del dispositivo.
 22. Nunca coloque este dispositivo sobre otro equipo eléctrico.
 23. Mantenga las bolsas de plástico fuera del alcance de los niños.
 24. Use únicamente los dispositivos/accesorios especificados por el fabricante.
 25. Remita todas las reparaciones al personal cualificado. Es necesario el mantenimiento cuando el aparato presenta cualquier tipo de daño, por ejemplo, el cable de alimentación o el enchufe presentan daños; se ha vertido líquido sobre el aparato; se han caído objetos en el

- aparato; el aparato se ha expuesto a la lluvia o humedad; el aparato no funciona normalmente o se ha caído.
26. Una larga exposición a sonidos elevados de reproductores de música personales puede provocar una pérdida de audición temporal o permanente.
27. Si el producto viene con un cable de alimentación o un adaptador de corriente de CA:
- Si se produce cualquier problema, desconecte el cable de alimentación CA y remítalo a mantenimiento por parte de personal cualificado.
 - No pise o pince el adaptador de alimentación. Tenga mucho cuidado, en especial en las zonas alrededor de las tomas y el punto de salida del cable. No coloque objetos pesados en el adaptador de alimentación, ya que pueden dañarlo. ¡Mantenga el dispositivo fuera del alcance de los niños! Si juegan con el cable de alimentación, puede sufrir lesiones graves.
 - Desconecte el dispositivo durante tormentas eléctricas o cuando no vaya a usarse durante periodos prolongados de tiempo.
 - La salida de la toma debe instalarse cerca del equipo y debe ser fácilmente accesible.
 - No sobrecargue las tomas CA o los cables de extensión. La sobrecarga puede provocar un incendio o una descarga eléctrica.
 - Los dispositivos con construcción de Clase 1 deben estar conectados a una toma de corriente con una conexión a tierra protegida.
 - Los dispositivos con construcción de Clase 2 no requieren una conexión a tierra.
 - Sujete siempre el enchufe cuando los extraiga de la toma de corriente. No tire del cable de alimentación. Esto puede provocar un cortocircuito.
 - No utilice un cable de alimentación o enchufe deteriorado o una toma suelta. Si lo hace, podría provocar un incendio o una descarga eléctrica.
28. Si el producto contiene o se entrega con un mando a distancia que contiene pilas de botón / celdas:
- Advertencia:
- “Ni ingiera la pila, riesgo de quemadura química” o frase equivalente.
 - [El mando a distancia que se suministra] Este producto contiene una pila de tipo botón/moneda. Si la pila se traga, puede provocar graves quemaduras internas en sólo 2 horas y podría ocasionar la muerte.
 - Mantenga las pilas nuevas o usadas fuera del alcance de los niños.

- Si el compartimiento de las pilas no se cierra correctamente, deje de usar el producto y no lo deje al alcance los niños.
- Si tiene la sospecha de que una pila ha sido ingerida o se encuentra en algún lugar del cuerpo, busque inmediatamente atención médica.

29. Precaución sobre el uso de las pilas:

- Existe riesgo de explosión si la pila no se sustituye correctamente. Sustitúyala únicamente con otra del mismo tipo u otro equivalente.
- No se pueden exponer las pilas a temperaturas extremadamente altas o bajas, baja presión de aire a gran altitud durante el uso, almacenamiento o transporte.
- Si cambia la pila por otra que no sea la correcta, se puede producir una explosión o la fuga de líquidos o gases inflamables.
- Si arroja la pila al fuego o a un horno caliente, o aplasta o corta mecánicamente una pila, podría provocar una explosión.
- Si deja una pila en un lugar con temperaturas extremadamente altas, se puede producir una explosión o una fuga de líquido o gas inflamable.
- Si se expone la pila a una presión de aire extremadamente baja, se puede producir una explosión o la fuga de líquidos o gases inflamables.
- Se debe prestar atención a los aspectos medioambientales sobre la eliminación de baterías.

INSTALACIÓN

- Desembale todas las piezas y retire el material protector.
- No conecte la unidad a la corriente eléctrica antes de comprobar la tensión de la corriente y antes de que se hayan hecho todas las demás conexiones.



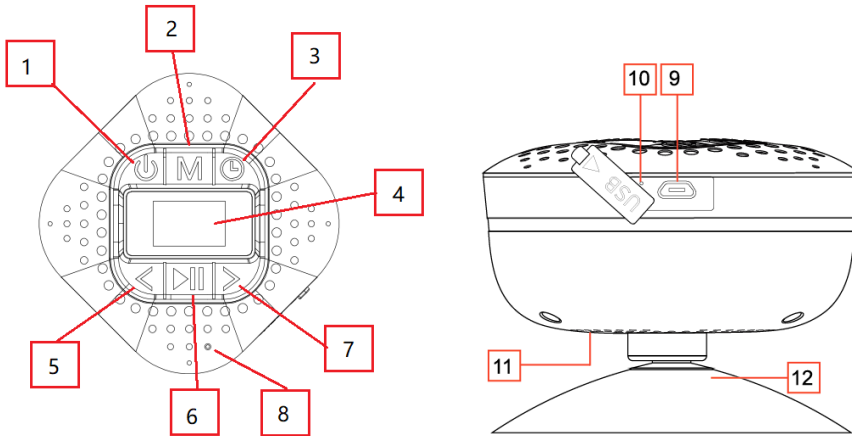
Advertencia

- No retire nunca la carcasa de este aparato.
- No coloque nunca este aparato sobre otros equipos eléctricos.

Aviso

- Si en cualquier momento en el futuro dese deshacerse de este producto, por favor tenga en cuenta que: Deben retirarse todas las pilas y acumuladores de este producto (Retirada de pilas y acumuladores de desecho).
- Lleve siempre este producto a un profesional para retirar la batería integrada.

A. perspectiva y controles



Elemento	Control
1	Botón
2	Botón M
3	Botón
4	Pantalla LED
5	Botón <
6	Botón
7	Botón >
8	Toma de MICRÓFONO
9	Toma Micro USB
10	Agujero de reinicio
11	Altavoz
12	Cúpula de vacío

B. Acerca de la batería recargable y la carga

1. Respecto a la batería recargable de litio
 - Este altavoz Bluetooth dispone de una batería interna no sustituible por el usuario. Para obtener los mejores resultados, antes de usar este altavoz Bluetooth por primera vez, deje que se cargue durante aproximadamente 2 ~ 3 horas o hasta que el icono de la batería indique que se ha cargado por completo la batería.
 - Para conservar la vida y el rendimiento de la batería, si no utiliza el altavoz durante un tiempo, deberá recargar la batería. Cargue la batería al menos una vez al mes.
2. Para recargar la batería integrada:
 - Conecte el "**conector Micro USB (9)**" del altavoz Bluetooth al puerto USB del ordenador mediante un cable USB. El ícono de la batería parpadeará en la esquina inferior derecha de la pantalla "**LED (4)**", lo que indica que se está cargando.
 - Cuando termine, desconecte el cable USB.

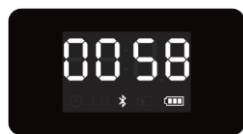
Nota:

El altavoz contiene un sensor de monitorización de temperatura integrado. Si percibe que la temperatura del pack de la batería no está en óptimas condiciones, controlará y detendrá la función de carga. La función de carga se restaurará automáticamente cuando la temperatura detectada del pack de la batería vuelva a los límites normales.

C. Encendido y emparejamiento

Este producto dispone de una función de **recepción** bluetooth, **no puede transmitir ningún sonido bluetooth con ella**: esto significa que puede recibir de forma inalámbrica una señal de sonido bluetooth desde una fuente externa como un smartphone.

1. Mantenga pulsado el botón "**⏻ (1)**" para encender el dispositivo. Sonarán una serie de tonos. Si está en modo reloj, pulse el "**Botón M (2)**" para cambiar al modo Bluetooth, el icono "**📶**" parpadea de forma rápida en la pantalla.



2. A continuación, active la función Bluetooth en su dispositivo móvil (como su teléfono móvil o su ordenador); dicho dispositivo entrará automáticamente en el modo de búsqueda. Si no es así, toque en la opción correspondiente para entrar al modo de búsqueda de forma

- manual. (si es necesario, consulte el manual de su dispositivo)
3. Debería aparecer "**Lenco BAR-013**" en la lista de su dispositivo móvil, y a continuación selecciónelo para emparejar. Espere unos segundos y verá aparecer el mensaje de conexión en su dispositivo móvil (En algunos dispositivos Bluetooth, es posible que deba introducir "0000" como contraseña de emparejamiento.)
 4. Si se realizar correctamente el emparejamiento, aparecerá el icono "📶" de forma fija en la pantalla.
 5. A partir de este momento, ya puede reproducir música desde su dispositivo móvil a través de su programa de reproducción de música.
 6. Mantenga pulsado el botón "🔊 (1)" para apagar el dispositivo cuando no lo utilice.

D. Desconectar del dispositivo emparejado

1. Mantenga pulsado el botón "▶ (6)" para cambiar al nuevo modo de "Búsqueda/Emparejamiento", se desconectará el dispositivo emparejado.
2. O, también puede seleccionar "**Disconnect**" (**Desconectar**) en la lista de dispositivos emparejados de su dispositivo Bluetooth.
3. En este caso; el altavoz Bluetooth volverá al modo "**Búsqueda/Emparejamiento**" en pocos segundos, sonará una serie de tonos y el icono "📶" parpadeará rápido en la pantalla.
4. Ahora, puede proceder a emparejar un nuevo dispositivo móvil o a apagar el altavoz Bluetooth si lo desea.

E. Nueva conexión automática a un dispositivo emparejado y nuevo emparejamiento

1. Cada vez que enciende el altavoz Bluetooth y entra en modo Bluetooth; en primer lugar buscará el dispositivo móvil, que se ha emparejado anteriormente y todavía está registrado. El altavoz Bluetooth se volverá a conectar con este dispositivo de forma prioritaria si se encuentra en modo de búsqueda de dispositivos.
2. Si no lo encuentra tras unos segundos, el altavoz Bluetooth pasará automáticamente al modo de nuevo emparejamiento.
3. En ese momento podrá proceder a emparejar un nuevo dispositivo móvil. (Consulte el artículo D.3~6 métodos)

F. Función de control de reproducción de música Bluetooth

1. Cuando reproduzca música, pulse el botón "▶ (6)" para ponerla en pausa. Para reanudar la música, púlselo de nuevo.
2. Mantenga pulsado el botón "> (7)" para aumentar el nivel de volumen.
3. Mantenga pulsado el botón "< (5)" para reducir el nivel de volumen.
4. Cuando se alcance el nivel de volumen máximo o mínimo, se escuchará

una serie de tonos.

5. Pulse una vez el botón “> (7)” para ir a la siguiente canción.
6. Pulse una vez el botón “< (5)” para ir a la anterior canción.

G. Configuración horaria

1. Encienda el altavoz bluetooth, pulse el “Botón M (2)” para cambiar al modo de hora.



2. Mantenga pulsado el “Botón M (2)” para ir a la hora establecida, el número de horas parpadeará en la pantalla LED.
3. Pulse el botón “< (5)” o “> (7)” para ajustar la hora como hora actual.
4. Pulse brevemente el botón “▶ (6)” para confirmar la hora establecida y ajustar los minutos. El número de minutos parpadeará en la pantalla LED;
5. Pulse el botón “< (5)” o “> (7)” para ajustar los minutos como hora actual.
6. Pulse brevemente el botón “▶ (6)” para confirmar los minutos establecidos.
7. La hora establecida se completa y la hora del reloj que aparece en la pantalla LED.

H. Función de temporizador

1. Pulse una vez el botón “⏸ (3)” para ir al modo de temporizador. El tiempo predeterminado es de 5 minutos. Intervalo de tiempo del temporizador desde 0-300 minutos.
2. Pulse el botón “< (5)” o “> (7)” para ajustar el tiempo necesario.
3. Cuando establezca el temporizador, pulse el botón “▶ (6)” para guardar los ajustes o guardar automáticamente en 5 segundos. El temporizador comenzará la cuenta atrás en el último minuto.
4. Cuando se acabe el tiempo, sonarán una serie de pitidos. Pulse el botón “⏸ (1)” o el botón “⏸ (3)” para apagarlo.
5. Mantenga pulsado el botón “⏸ (3)” si tiene que cancelar los ajustes del temporizador

I. Función de despertador

1. En modo de hora, pulse el botón “▶ (6)” para establecer el despertador. Aparecerá «ALAR» > “OFF (APAGAR)” en la pantalla. Puede pulsar el botón “> (7)” para Activar el despertador.
2. Cuando aparezca “ON” (ENCENDER) en la pantalla, pulse el botón “▶ (6)” para ir a la hora establecida.

3. Mantenga pulsado el botón “< (5)” o “> (7)” para ajustar la hora como desee.
4. Pulse brevemente el botón “▶ (6)” para confirmar la hora establecida y ajustar los minutos. El número de minutos parpadeará en la pantalla LED;
5. Pulse el botón “< (5)” o “> (7)” para ajustar los minutos que desee.
6. Pulse brevemente el botón “▶ (6)” para confirmar los minutos establecidos.
7. Cuando se establece la alarma, sonarán una serie de pitidos y a continuación se ajustará el volumen de la alarma.
8. Pulse el botón “< (5)” o “> (7)” para ajustar el nivel de volumen como desee.
9. Pulse brevemente el botón “▶ (6)” para confirmar el nivel de volumen y se establece el volumen del despertador.
10. Pulse una vez el botón “⏻ (1)” para detener la alarma

J. Función de manos libres

1. Cuando entre una llamada durante el modo de reproducción de música por Bluetooth,
2. se escuchará el tono de llamada y la música se quedará en pausa de forma automática.
3. Pulse el botón “▶ (6)” para responder la llamada si lo desea.
4. Ahora dispone de la función de manos libres con el altavoz Bluetooth.
5. Pulse de nuevo el botón “▶ (6)” para colgar la llamada cuando termine. Y la música en pausa comenzará a reproducirse de forma automática.
6. Mantenga pulsado el botón “▶ (6)” durante 3 segundos para ignorar la llamada entrante.

Consejo: hable al orificio “MIC (8)” directamente a una distancia de 30 ~ 60 cm para obtener el mejor rendimiento del teléfono con altavoz según sea necesario.

K. Función de rellamada al último número marcado

1. Para llamar al último número marcado con el altavoz Bluetooth, incluso en el modo de reproducción de música.
2. Pulse dos veces el botón “▶ (6)” para ir a la función de rellamada, se detendrá la música que se está reproduciendo y cambiará a la función de manos libres para poder volver a marcar.
3. Pulse de nuevo el botón “▶ (6)” para colgar al finalizar la rellamada.
4. Asegúrese de que en su teléfono móvil se haya utilizado la función de rellamada, en caso contrario, la función de rellamada al último nº no se podrá activar.

L. Función de FM

Sintonización manual de radiofrecuencia:

1. Pulse el Botón “**M (2)**” para ir al modo de FM.



2. Mantenga pulsado el botón “**▶ (6)**” para ir al modo de búsqueda automática.
3. La radio FM buscará la frecuencia desde el principio (87,5 MHz) hasta el final (108,0 MHz) y guardará las emisoras buscadas de forma automática.
4. Cuando termine de buscar, se reproducirá desde la primera emisora buscada de forma automática (P01).

Sintonización manual de radiofrecuencia:

1. Pulse el botón “**▶ (6)**” para ir al modo de ajuste de frecuencia manual, pulse una vez el botón “**> (7)**” o “**< (5)**” para seleccionar la emisora. Cuando seleccione la emisora de radio, pulse el botón “**▶ (6)**” para confirmar, y aparecerá P01 en la pantalla “**LED (4)**”.
2. Puede seleccionar la emisora de radio P01-P30 con el botón “**> (7)**” o “**< (5)**”, y vuelva a pulsar el botón “**▶ (6)**” para confirmar.

Control de reproducción FM:

1. Pulse una vez el botón “**> (7)**” para ir a la siguiente emisora.
2. Pulse una vez el botón “**< (5)**” para ir a la anterior emisora.
3. Mantenga pulsado el botón “**> (7)**” para aumentar el nivel de volumen.
4. Mantenga pulsado el botón “**< (5)**” para reducir el nivel de volumen.
5. Para volver al modo Bluetooth, pulse dos veces el Botón “**M (2)**”.

M. Aviso de batería baja y modo de reposo automático

1. El altavoz Bluetooth enviará tonos de sonido desde el altavoz cada minuto. Cuando escuche este sonido recordatorio, vuelva a conectar el dispositivo con el cable USB para cargarlo si quiere seguir utilizándolo.
2. Si no, el altavoz Bluetooth se apagará automáticamente tras unos minutos si el nivel de batería continúa siendo bajo.
3. En ese caso, el dispositivo no se podrá encender hasta que recargue la batería durante al menos 10 o 15 minutos, ya que la batería recargable no dispondrá de energía suficiente.

N. Reinicio

En algunas circunstancias, es posible que el dispositivo se detenga durante el uso. Este dispositivo dispone de un mini interruptor de tacto integrado que se encuentra en la parte posterior de la conexión de auriculares, por lo que puede ofrecer una función de restablecimiento para reiniciar el dispositivo cuando se pasa a través del orificio de la conexión de

auriculares.

Para reiniciarlo:

- Utilice un palo de 1 mm o un objeto similar (como un palillo de dientes) para introducirlo con cuidado, use el lado opaco, en el orificio de la clavija del auricular hasta que sienta que toca el extremo. Estará tocando la superficie del interruptor sensible.
- Aplique un poco de fuerza, se escuchará un chasquido y notará el retorno del interruptor. El dispositivo se reiniciará en unos segundos.

Importante: No reinicie el dispositivo si funciona correctamente.

O. Solución de problemas

No se enciende	<ul style="list-style-type: none">• Compruebe que la batería disponga de carga suficiente.• Compruebe si el dispositivo se encuentra en el modo Apagado.
No hay sonido	<ul style="list-style-type: none">• Compruebe si el nivel de volumen está en posición baja en el altavoz y en el teléfono móvil o PC/Mac.• Asegúrese de que su dispositivo Bluetooth se encuentre dentro del rango de alcance efectivo.• Compruebe que el dispositivo Bluetooth esté emparejado.• Compruebe que el dispositivo Bluetooth aparezca como conectado.• Compruebe si ha seleccionado la fuente de audio correcta.
No hay ninguna emisora de radio	<ul style="list-style-type: none">• Compruebe que la emisora de FM está sintonizada en la frecuencia correcta y programada.
No hay respuesta del altavoz	<ul style="list-style-type: none">• Reinicie el altavoz apagándolo y encendiéndolo.

P. Especificaciones

Dimensiones	78 mm (L) x 79 mm (W) x 46 mm (H) (No incluye cápsula de vacío)	
Peso	112 g (Aproximado)	
Bluetooth	Especificaciones	V5.0
	Perfiles soportados	A2DP, AVRCP, HFP
	Distancia de	10 metros (sin obstáculos)

	conexión	
Radio FM	Rango de sintonización	87,5 MHz – 108 MHz
	Memoria preestablecida	30 emisoras (máx.)
	Antena	Tipo inalámbrico
Batería integrada	Litio 3,7 V, 1000 mAh	
	Tiempo de carga: alrededor de 2~3 horas	
	Tiempo de reproducción: alrededor de 3~4 horas (con ajuste de volumen máximo)	
Fuente de alimentación	Puerto micro USB	
	Alimentación puerto USB del PC o CC 5 V, 500 mA	
Audio	Potencia de salida	3 W (RMS)
	Respuestas de frecuencia	80 Hz a 16 000 Hz
Resistente al agua	A prueba de salpicaduras	IPX4
Temperatura de funcionamiento	0 a 40 °C	

Commented [JFS5]: Hasta 9 horas

Q. Garantía

Lenco ofrece servicio y garantía en cumplimiento con las leyes de la Unión Europea, lo cual implica que, en caso de que su producto precise ser reparado (tanto durante como después del periodo de garantía), deberá contactar directamente con su distribuidor.

Nota importante: No es posible enviar sus reparaciones directamente a Lenco.

Nota importante: Si la unidad es abierta por un centro de servicio no oficial, la garantía quedará anulada.

Este aparato no es adecuado para el uso profesional. En caso de darle un uso profesional, todas las obligaciones de garantía del fabricante quedarán anuladas.

R. Exención de responsabilidad

Regularmente se llevan a cabo actualizaciones en el Firmware y en los componentes del hardware. Por esta razón, algunas de las instrucciones, especificaciones e imágenes incluidas en este documento pueden diferir ligeramente respecto a su situación particular. Todos los elementos

descritos en esta guía tienen un objetivo de mera ilustración, y pueden no ser de aplicación en su situación particular. No se puede obtener ningún derecho ni derecho legal a partir de la descripción hecha en este manual.

S. Eliminación del antiguo dispositivo



Este símbolo indica que no deberá deshacerse del producto eléctrico o batería en cuestión junto con los residuos domésticos, en el ámbito de la UE. Para garantizar un tratamiento residual correcto del producto y su batería, por favor, elimínelos cumpliendo con las leyes locales aplicables sobre requisitos para el desechado de equipos eléctricos y baterías. De hacerlo, ayudará a conservar recursos naturales y mejorar los estándares de protección medioambiental en el tratamiento y eliminación de residuos eléctricos (Directiva sobre la Eliminación de Equipos Eléctricos y Electrónicos).

T. Marca CE

Por la presente, Lenco Benelux B.V., Thermiekstraat 1a, 6361 HB Nuth, Países Bajos, declara que este producto cumple con las exigencias esenciales de la directiva de la UE. La declaración de conformidad puede consultarse mediante techdoc@commaxxgroup.com



U. Garantía

Para obtener más información y soporte del departamento técnico, por favor, visite la página web www.lenco.com
Lenco Benelux BV, Thermiekstraat 1a, 6361 HB, Países Bajos