

Model: DIR-60



USER MANUAL Internet Radio
HANDLEIDING Internetradio
BEDIENUNGSANLEITUNG Internetradio
MODE D'EMPLOI Radio Internet
MANUAL DEL USUARIO Radio por Internet

Index:

English.....	3
Nederlands	16
Deutsch.....	30
Français.....	45
Español	59

CAUTION:

Usage of controls or adjustments or performance of procedures other than those specified herein may result in hazardous radiation exposure.

This unit should not be adjusted or repaired by anyone except qualified service personnel.

PRECAUTIONS BEFORE USE

KEEP THESE INSTRUCTIONS IN MIND:

1. Do not use this device near water.
2. Clean only with a slightly damp cloth.
3. Do not cover or block any ventilation openings. When placing the device on a shelf, leave 5 cm (2") free space around the whole device.
4. Install in accordance with the supplied user manual.
5. * Don't step on or pinch the power adaptor. Be very careful, particularly near the plugs and the cable's exit point. Do not place heavy items on the power adaptor, which may damage it. Keep the entire device out of children's reach! When playing with the power cable, they can seriously injure themselves.
6. * Unplug this device during lightning storms or when unused for a long period.
7. Keep the device away from heat sources such as radiators, heaters, stoves, candles and other heat-generating products or naked flame.
8. Avoid using the device near strong magnetic fields.
9. Electrostatic discharge can disturb normal usage of this device. If so, simply reset and restart the device following the instruction manual. During file transmission, please handle with care and operate in a static-free environment.
10. Warning! Never insert an object into the product through the vents or openings. High voltage flows through the product and inserting an object can cause electric shock and/or short circuit internal parts. For the same reason, do not spill water or liquid on the product.
11. Do not use in wet or moist areas such as bathrooms, steamy kitchens or near swimming pools.
12. Do not use this device when condensation may occur.
13. Although this device is manufactured with the utmost care and checked several times before leaving the factory, it is still possible that problems may occur, as with all electrical appliances. If you notice smoke, an excessive build-up of heat or any other unexpected phenomena, you should disconnect the plug from the main power socket immediately.
14. This device must operate on a power source as specified on the specification label. If you are not sure of the type of power supply used in your home, consult your dealer or local power company.
15. * The socket outlet must be installed near the equipment and must be easily accessible.
16. * Do not overload ac outlets or extension cords. Overloading can cause fire or electric shock.
17. * Devices with class 1 construction should be connected to a main socket outlet with a protective earthed connection.
18. * Devices with class 2 construction do not require a earthed connection.
19. Keep away from rodents. Rodents enjoy biting on power cords.
20. * Always hold the plug when pulling it out of the main supply socket. Do not pull the power cord. This can cause a short circuit.
21. Avoid placing the device on any surfaces that may be subject to vibrations or shocks.
22. To clean the device, use a soft dry cloth. Do not use solvents or petrol based fluids. To remove severe stains, you may use a damp cloth with dilute detergent.
23. The supplier is not responsible for damage or lost data caused by malfunction, misuse, modification of the device or battery replacement.
24. Do not interrupt the connection when the device is formatting or transferring files. Otherwise, data may be corrupted or lost.

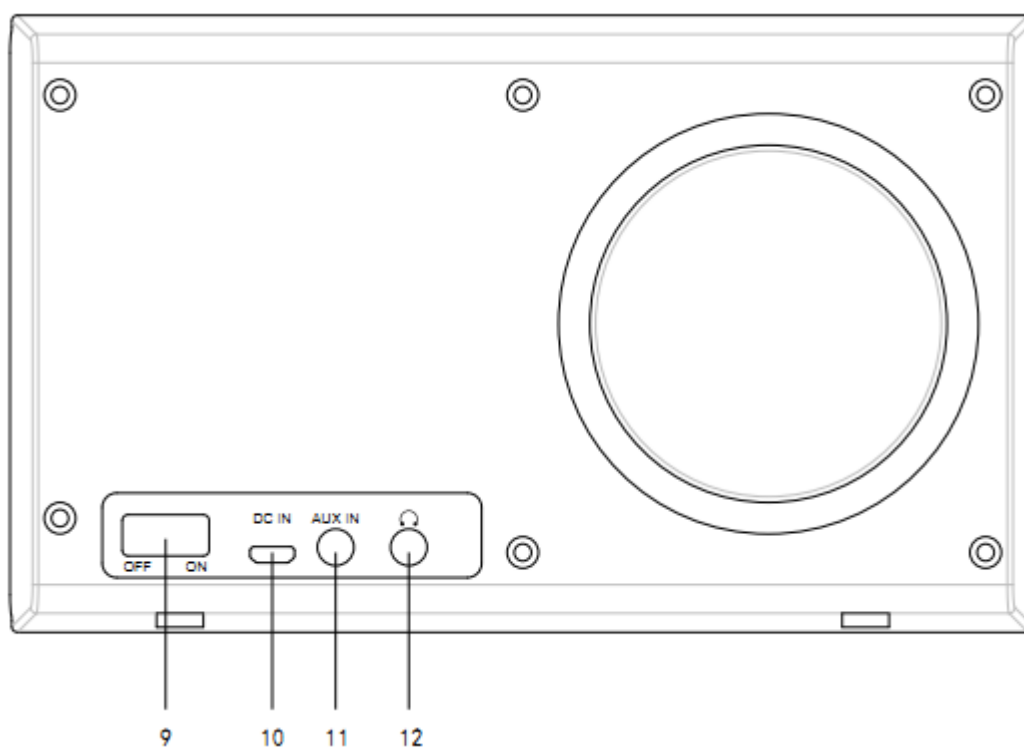
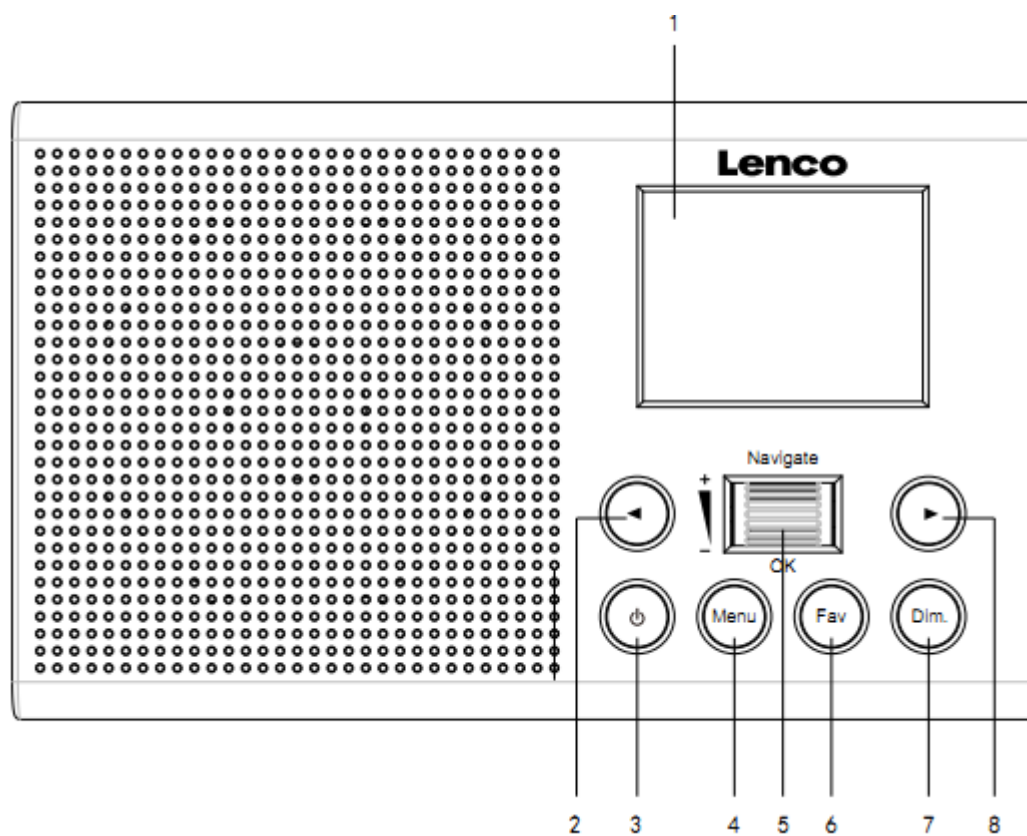
25. If the unit has USB playback function, the usb memory stick should be plugged into the unit directly. Don't use an usb extension cable because it can cause interference resulting in failing of data.
26. The apparatus shall not be exposed to dripping or splashing and make sure that no objects filled with liquids, such as vases, are placed on or near the apparatus.
27. * To completely disconnect the power input, the mains plug of the apparatus shall be disconnected from the mains, as the disconnect device is the mains plug of apparatus.
28. If the unit works with battery, Battery shall not be exposed to excessive heat such as sunshine, fire or the like.
29. Attention should be drawn to the environmental aspects of battery disposal.
30. The apparatus can only be used in moderate extremely cold or climates warm environments should be avoided.
31. The rating label has been marked on the bottom or back panel of the apparatus.
32. This device is not intended for use by people (including children) with physical, sensory or mental disabilities, or a lack of experience and knowledge, unless they're under supervision or have received instructions about the correct use of the device by the person who is responsible for their safety.
33. This product is intended for non professional use only and not for commercial or industrial use.
34. Make sure the unit is adjusted to a stable position. Damage caused by using this product in an unstable position or by failure to follow any other warning or precaution contained within this user manual will not be covered by warranty.
35. Never remove the casing of this apparatus.
36. Never place this apparatus on other electrical equipment.
37. Do not use or store this product in a place where it is subject to direct sunlight, heat, excessive dust or vibration.
38. Do not allow children access to plastic bags.
39. Only use attachments/accessories specified by the manufacturer.
40. Refer all servicing to qualified service personnel. Servicing is required when the apparatus has been damaged in any way, such as the power supply cord or the plug, when liquid has been spilled or objects have fallen into the apparatus, when the apparatus has been exposed to rain or moisture, does not operate normally, or has been dropped.
41. * Do not use a damaged power cord or plug or a loose outlet. Doing so may result in fire or electric shock.
42. Prolonged exposure to loud sounds from personal music players may lead to temporary or permanent hearing loss.

INSTALLATION

- Unpack all parts and remove protective material.
- * Do not connect the unit to the mains before checking the mains voltage and before all other connections have been made.

*** Those instruction are related only to products using power cable or AC power adaptor.**

1. Product Overview



1. Display
2. Left
3. Standby
4. Menu
5. Vol/Nav/Ok/Scroll Press=Select
6. Fav
7. Dimmer
8. Right
9. Power on/off
10. DC IN
11. Aux in (3.5mm)
12. Headphone out (3.5mm)

2. INITIAL USE

Before operation, please make sure that the VOLTAGE mentioned on the power supply is same as the voltage of your local area.

Use the supplied mains adaptor to connect the device to a household mains socket.

Switch the device on with the power switch on the rear.

When it is the first time running the device, the system will ask you to set Language and Network Configurations. You may setup the network connection immediately, or set it later. Use Navigate to select the desired option. Press Navigate/OK to confirm.

Press Standby button when unit is power on, unit will go to standby mode. Press again will make it On again.

3. Network configuration

1. Normal network configuration

Select "Yes" for the normal Wireless Network Configuration: The select the required AP by turning "Navigate" and confirm it by pressing "Navigate/OK".

Enter WEP or WPA code to connect the WiFi network by select the correct character turning the "Navigate/OK" button.

Press  button to select the next character.

In this condition, press  button you can turn left and delete the left chracters at the same time:

When the password is complete please press "Navigate/OK" button to confirm.

Note: Below characters are available for the radio:

Numbers(from 0-9)

English letters(from A to Z and from a to z)

Other charcters(DEL,@,Blank,!,"#,,\$,%,&,*,',+ and (,)

2. WPS PBC network configuration

Select "Yes WPS" when you would like set up with Wireless Network (WPS PBC) feature:

If you are using a router with WPS button, you may set up the network connection simple via WPS function. Enter it and go to press the WPS button on your router within 120 seconds.

The connection between the router and the Radio will then be configured automatically.

Select "No" when you do not want to install the network at the moment.

3. No network configuration

Pls select "NO" when you do not like to configure the network connection at the moment.

Press "Standby" for standby. When the actual date and time is shown the network is configuration is well done. Date and time, as well as alarms-if activated-will still be shown on the display when in standby mode.

4. INTERNET RADIO

Switch on "Standby" and rotate Navigate to scroll through the main menu. Press OK (to enter sub menus or confirm settings)

Press ◀ to return to the previous menu.

After the connection of any station is succeeded, station information's will be shown: information content can be changed with ◀ or ▶ button.

My Favorites

List of my favorite preset stations. It supports 250 favorite entries including stations and folder. During the station playing screen, press and hold Fav on the device to save the station as my favorite. You may replace the previous saved station to the new one.

If the Selected station have been saved, you cannot save it again. The saved stations are showed under this menu. You may also press Fav to enter the saved station list.

Under the preset station list, move to your station; press OK from unit to listen.

Radio Station/Music

Stations are categorized into Global Top 20, Genre and Country/Location (Africa, Asia, Europe, Middle East, North America, Oceania/Pacific, and South America). Enter to continue the subcategories and choose the station to listen.

For each station, press OK from unit to play directly.

Local Radio:

Stations are categorized to the country/location which the unit is operated.

Sleep Radio

You can choose Birds, Lullaby, Piano, Rain, Spa, Space, Wave, White Noise for your sleep sound.

History:

List of the ten recently listened stations.

Service:

Search radio station-Enter your keyword to search radio station from the list.

Add new radio by adding IP address, the added stations will be stored in My Favorite.

Note that the maximum character of the station name is 250.

5. Media Center

Select the UPnP mode or playlist mode with Navigate/OK.

UPnP

If you have set up shared media, you should see the shared media from UPnP.

If you have more than one computer sharing media, the alternatives are listed.

Select the shared media you want to play.

Note: The radio can only read the track with the file name less than 40 characters, the characters should be in European Language. If you encounter failure of reading the track under UPnP mode, you may try to rename the file. However, if the track is still unable to play, you can try converting the file to different formats.

My Playlist:

You can create a playlist of favourite's music from UPnP. When you playing the music, press and hold OK from unit to save it into My Playlist.

Clear My Playlist

Pls select this option YES for clearing the playlist.

6. My media U

Display and playback your own mediaU station list on the mediaU server. Set your account first.

To activate your own station list, follow the steps below:

Access <http://www.mediayou.net/>. Join my mediaU membership. Login to the website;

Enter the wireless MAC addresss of Radio to the mediaU website. This information can be obtained in information Center > System information > Wireless Info;

When successfully configured, you are able to save and view your own mediaU station playlist(s).

Username and passwords are not required to enter to the Radio.

If there are different accounts stored in Radio, you can choose the one you currently use under Configuration menu. On the website, you may save stations to Favorite Station, set Favorite Location/Genre and My Local City, or add stations manually. The stations can be viewed from My Media mode on the Radio.

7. Information Center

Weather

There are weather information and forecasts for 2000 cities.

Select the country and then the city for the weather details.

Rotate the Navigate/OK knob to review the weather forecast in next few days.

The device is able to display the weather information on the standby mode. On the weather information page, press OK to choose the weather to display on standby mode and press OK to confirm.

Financial Info

View the stock index

System Infomation

View details of units and of connect network. The information includes MAC address which you are required to fill in when registration of "my mediaU" membership.

8. CONFIGURATION

Time Display	Analog/digital
My MediaU	When it is enabled, My mediaU will exist on the main menu. If various mediaU accounts exist in the Radio, Select the default login account in here.
Network	<p>Wireless Network Configuration: Enable/disable WiFi network. When you enable the WiFi network, the system will automatically select the required AP. Enter WEP or WPA code to connect the WiFi.</p> <p>Wireless Network (WPS PBC): If you are using a router with WPS/QSS button, you may set up the network connection simple via WPS function. Enter it and go to press the WPS/QSS button on your router within 120 seconds. The connection between the router and Music Link will then be configured automatically.</p> <p>Manual Configuration: You can choose DHCP (which IP assigned automatically) or manually input IP address for wireless network connection. When you select manual setting for wired connection, the following have to be entered: SSID (nameof access point), IP Address, subnet mask, default gateway, preferred DNS server, alternate DNS server.</p> <p>Check Network When Power On: Enable/disable WiFi network. When you enable the WiFi network, the system will automatically search the available AP. Select required AP.</p>
Date & Time	<p>Setup the date and time</p> <p>Set time format display as 12 Hour or 24 Hour</p> <p>Set date format(YYYY/MM/DD-DD/MM/YYYY-MM/DD/YYYY)</p>
Alarm	<p>There are three independent alarms-2 alarms of absolute time setting (Alarm 1 and Alarm 2) and 1 alarm for relative time setting(Alarm NAP). Note that the alarm source is from the preset Internet radio if Alarm Sound is set to be Internet Radio. It can only set one same IR station for Alarm 1 and Alarm 2. When the alarm is reached the unit connects to the Internet if the set network is available. Therefore there may be some delay from the alarm to the radio play. If no network is connection can be established within one minute, the alarm will change to Melody automatically.</p> <p>When Alarm "NAP" is set, it alarms once in 5/10/20/30/60/90/120 minutes depending on which one you have set.</p> <p>Choose Alarm Volume to configure the volume of the alarms.</p>
Timer Scheduled playing	<p>Countdown timer (max. 100min)</p> <p>When you choose on, you can set the scheduled playing time and frequency. You cannot change station when you finished scheduled playing or setting will be inactivated.</p>
Language	English/Deutsch/Espanol/Francais/Portugese/Nederlands/Italiano/Pyccknn/Svenska/Norske/Dansk/Magyar/Cesky/Slovensky/Polски/Turkce/Suomi
Dimmer	Power Saving/Turn On
Display	color/monochrome
Power Mgmt	Configure to go to standby mode automatically during in the menu or/and without Wifi signal. Choose the power management timer (5/15/30mins) to set the duration of the radio to switch standby mode automatically when you are not controlling it. Choose Turn off to ignore the power management function.

- Sleep Timer** Turn off or set the sleep timer of 15/30/60/90/120/150/180 minutes. Once the time is set, there will be a bed icon with remaining minutes at the top right corner and the device will turn to standby then.
- Buffer** Configure the buffer time of the music playback, 2/4/8 seconds.
- Weather** Activate/deactivate the weather forecast for the standby display. Choose your preferred temperature unit (°F or °C) and then proceed entering your location. When activated, the weather forecast is shown in turns with the clock display on the standby screen (each 10 secs)

Local Radio Setup There is a shortcut Local Radio under Internet Radio so that you can easily go to the station list of your location. You may Manual Setup your location, or let the system Auto Detect your current location. The system detects the location according to the IP address of your connected network. Press Local Station to enter this local radio list directly.

FM (IR) and DAB (IR) option (listen to local FM/DAB radio channels on Internet)

To activate the FM (IR) and DAB (IR) option, first you need to enable FM (IR) and DAB(IR) function.

You can do this by pressing the 'menu' button, select 'Configuration' then select 'Local Radio Setup'. Now select FM(IR) and press the 'ok' button. Select 'Enable' and press the 'ok' button again.

Repeat the above procedure for the DAB(IR) option if you want to listen DAB channels via Internet.

When you enabled FM(IR) and/or DAB(IR) you have to set your location.

You do this by selecting 'set location' in the 'local Radio setup' and choose 'Manual Setup (City)'. press OK to confirm.

Now you can, for example, if you are located in Berlin, select Europe and then press the 'OK' button to confirm.

Select Germany and press the 'OK' button to confirm

Select Berlin and press the 'OK' button to confirm

Select Berlin again and press the 'OK' button.

Now there will be a prompt "Save as Local Radio", press 'OK' to finish the settings.

Now the screen changes and you can see DAB (IR) – Berlin and FM (IR) – Berlin on the screen. You can choose DAB radio channels by selecting

DAB(IR) – Berlin and pressing the 'OK' button. Now you will see a list of DAB radio channels from Berlin. Select your preferred channel and press the 'OK' button to listen to it.

There will now be a DAB (IR) and FM (IR) icon on main menu screen, to quick select another DAB or FM radio channel.

Remarks:

- If no location is set, the channel list will be empty when selecting FM(IR) or DAB(IR).
- For FM(IR) stations you must select your CITY manually. The FM(IR) does not work if you only select your country or let it detect automatically.

- Not all FM/DAB stations of each city are available, but the database will be updated continuously.

Playback Setup	Select the playback mode of media center-Off (no repeat or shuffle), Repeat all, Repeat one, or Shuffle.
Device	Default device name for DLNA is "AirMusic". You may rename it for DLNA setup on th PC or mobile. QR code for downlode and install "AirMusic" control App.
Equalizer	Default equalizer is Normal, you may change to Flat, Jazz, Rock, Soundtracks, Classical, Pop, or News MY EQ.
Resume When Power On	The system is default to resume internet radio playback if you were listening to internet radio or media center before switch off the unit.If turn this setting off, the system will remain in the main menu when switching on the unit.
Software Update	Update software. If there is an updated software version on the server, the system will notify you. Before starting a software upgrade, ensure that the unit is plugged into a stable mains power connection. Disconnecting power during a software update may permanently damage the unit.
Reset to Default	Restore the default settings. After the unit is reset, the system will move to language is selected.

9. DLNA/UPnP

You may change the default DLNA name as you like. The information below is the introduction of how to setup media streaming from PC or other media server. Study the own instruction of the software or apps you use to enjoy music streaming if necessary. Make sure the music files are in the format of MP3, WHA, WAV or AAC for music streaming to the radio.

UPnP

Connect the PC to the network.

Ensure the Radio is powered on and connected to the same network.

Open the UPnP platform Windows Media Player (11 or later). Alternatively, other platforms or server such as Windows Media Connection may be used.

Allow to share your media to Radio.

Add the audio files and folders you want to share with radio to the media library.

You may also enjoy the streaming music from other music server, such as smart phone (Android platform)

Connect the mobile to the network

Search and install media sharing apps from Google Play.

Add the audio files from your mobile you want to share.

After setup the shared server, choose the music and control playback on the Radio.

DLNA

Besides UPnP, Radio supports DLNA function, you share the music files from PC or Android mobile, and you use your PC, Android mobile or iPhone/iPad to control music playback on the Radio. (It is not required to control each playback on the Radio.)

The PC system requirement for DLNA is Windows 7 and Windows Media Player 12. Setup as below: First, share the media on your PC to Radio.

Control Panel > Network and Internet > Network and Sharing Center > Change Advanced Sharing > Media streaming options

Open Windows Media Player to enable Allow remote control of my Player.

Right click any music in the library and choose Play to Radio.

There will be a window for controlling music playback on Radio.

You may search and install any free or commercial DLNA apps from Google Play or Apple Store if you are using Android mobile, tablet or iPhone/iPad. It is suggested to use bubble UPnP, Twonky Beam on Android mobile, tablet or Twonky Beam on iPhone/iPad. Some apps may not support streaming music from iPhone/iPod but iPhone/iPod could still be used to control streaming music from other servers.

Procedures for playing shared music on the app are as follows:

Select Radio as the player. Some apps may allow to play the music to multi players at the same time.

Select music server and choose the music. Some app can create a playlist if you choose several music.

Please note: When using DLNA music streaming function on the Internet Radio, you can only control the volume and standby via the unit. It is restricted to control the other functions. Stop DLNA on PC, mobile or tablet before you resume Internet radio's own control.

10. AUX (Line input)

Plays audio from an external source such as an MP3 player. To play audio with Aux in mode:

Turn the volume low on both the Radio and if adjustable, the audio source device.

Connect the external audio source to the AUX IN 3.5mm stereo socket.

Select AUX in under Main menu.

Adjust the volume of the Radio (and, if necessary, the audio source device) as required.

11. Using the Headphone output

Insert the Headphones 3.5mm jack plug into the Headphone input on the rear panel.

Adjust the volume level as desired using the Volume control.

12. Technical Specifications

Network	802.11b/g/n (WLAN) Encryption: WEP, WPA, WPA 2(PSK), WPS
Streaming	UPnP, DLNA
Supported filetypes	WMA, MP3,
Connections	DC, 3.5mm AUX-IN, 3.5mm headphone out
Input	100-240V~50/60 Hz, 0.2A max
Output	5V/1A
Power consumption	5W
Power consumption (standby)	<1W
Operating Temperature	0°C-35°C
Operating position	Horizontal
Power supply adaptor: (For EU only)	
Manufacturer:	Shenzhen Adition Audio Science and Technology Co., Ltd
Model Number:	AD0600501000EU
Use only original AC adaptor	
Use only the power supply listed in the user instructions.	
Dim. unit	180 x 61 x 109 mm (WxDxH)
Weight	304g

13. Guarantee

Lenco offers service and warranty in accordance to European law, which means that in case of repairs (both during and after the warranty period) you should contact your local dealer.

Important note: It is not possible to send products that need repairs to Lenco directly.

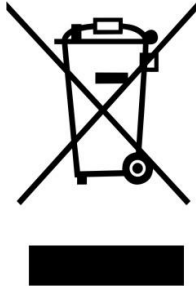
Important note: If this unit is opened or accessed by a non-official service center in any way, the warranty expires.

This device is not suitable for professional use. In case of professional use, all warranty obligations of the manufacturer will be voided.

14. Disclaimer

Updates to Firmware and/or hardware components are made regularly. Therefore some of the instruction, specifications and pictures in this documentation may differ slightly from your particular situation. All items described in this guide for illustration purposes only and may not apply to particular situation. No legal right or entitlements may be obtained from the description made in this manual.

15. Disposal of the Old Device



This symbol indicates that the relevant electrical product or battery should not be disposed of as general household waste in Europe. To ensure the correct waste treatment of the product and battery, please dispose them in accordance to any applicable local laws of requirement for disposal of electrical equipment or batteries. In so doing, you will help to conserve natural resources and improve standards of environmental protection in treatment and disposal of electrical waste (Waste Electrical and Electronic Equipment Directive).

16. CE Marking

Hereby, Lenco Benelux B.V., Thermiekstraat 1a, 6361 HB Nuth, The Netherlands, declares that this product is in compliance with the essential EU directive requirements.

The declaration of conformity may be consulted via techdoc@commaxxgroup.com



17. Service

For more information and helpdesk support, please visit www.lenco.com

Lenco Benelux BV, Thermiekstraat 1a, 6361 HB, The Netherlands.

LET OP:

Gebruik van bedieningen of afstellingen of uitvoer van procedures anders dan gespecificeerd in deze documentatie kan leiden tot blootstelling aan schadelijke straling.

Dit apparaat dient uitsluitend te worden aangepast of gerepareerd door gekwalificeerd onderhoudspersoneel.

VOORZORGSMAATREGELEN VOOR GEBRUIK

ONTHOUD DE VOLGENDE INSTRUCTIES:

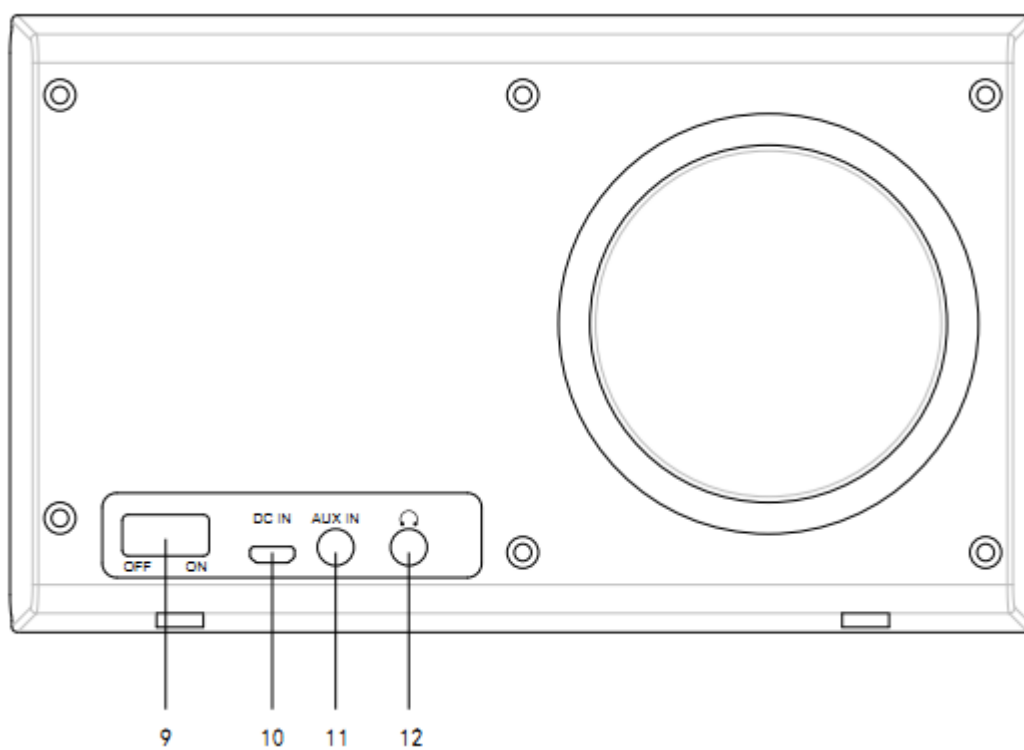
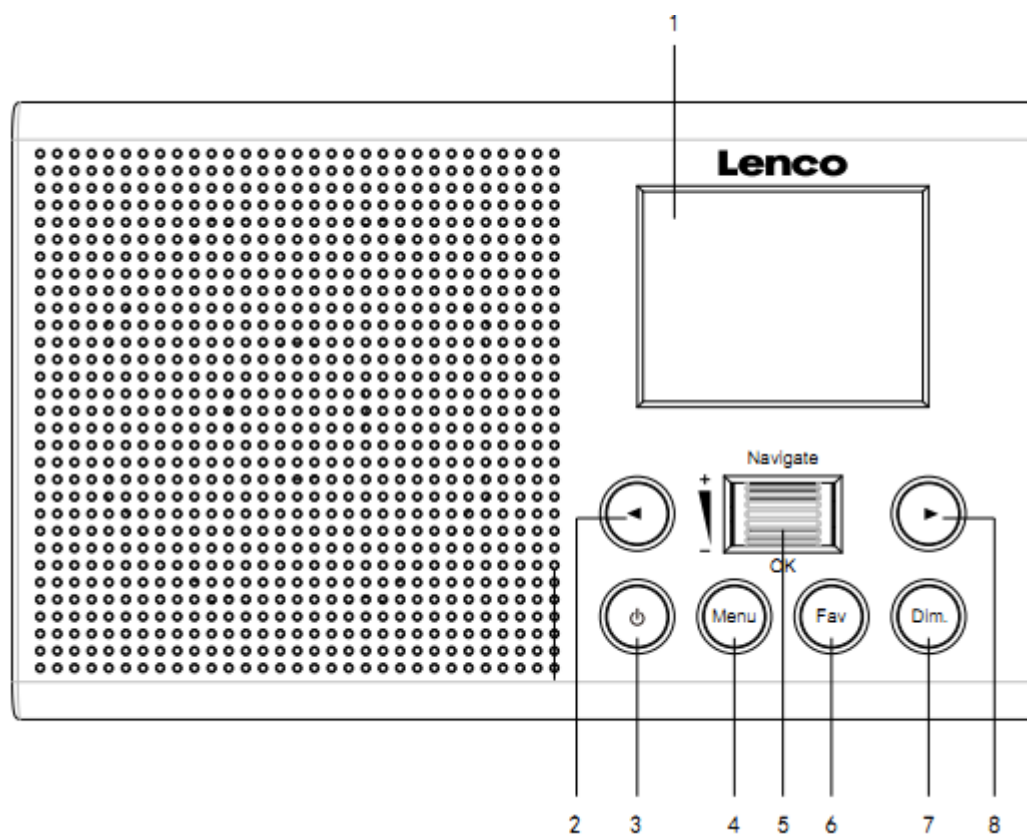
1. Gebruik dit apparaat niet in de buurt van water.
2. Reinig het uitsluitend met een licht vochtige doek.
3. Bedek of blokkeer de ventilatieopeningen niet. Wanneer u het apparaat op een schap plaatst, dient u 5 cm (2") vrije ruimte rondom het gehele apparaat te behouden.
4. Installeer het product volgens de meegeleverde gebruikershandleiding.
5. * Nooit op de stroomadapter stappen of deze indrukken. Wees voornamelijk voorzichtig in de buurt van de stekkers en het punt waar de kabel uit het apparaat komt. Plaats geen zware voorwerpen op de stroomadapter, om beschadiging ervan te voorkomen. Houd het gehele apparaat buiten bereik van kinderen! Wanneer kinderen met de voedingskabel spelen, kunnen zij ernstig letsel oplopen.
6. * Haal de stekker uit het stopcontact tijdens onweer of wanneer u deze langere tijd niet gebruikt.
7. Houd het apparaat uit de buurt van hittebronnen, zoals radiatoren, verwarmingen, kachels, kaarsen en andere hittegenererende producten of open vuur.
8. Gebruik dit apparaat niet in de buurt van krachtige magnetische velden.
9. Elektrostatische ontlading kan normaal gebruik van dit apparaat verstoren. U hoeft het apparaat in dit geval slechts te resetten en opnieuw op te starten volgens de gebruikershandleiding. Wees voorzichtig tijdens bestandsoverdracht en gebruik het product in een omgeving zonder statische interferentie.
10. Waarschuwing! Steek nooit een voorwerp via de ventilatie- of andere openingen in het product. Er is hoogspanning in het product aanwezig en als u er een object insteekt, kan dat een elektrische schok veroorzaken en/of kortsluiting in de interne onderdelen. Mors om dezelfde reden geen water of vloeistof op het product.
11. Gebruik het toestel niet in vochtige ruimtes, zoals badkamers, stomende keukens of in de buurt van zwembaden.
12. Gebruik dit apparaat niet wanneer condensatie kan optreden.
13. Alhoewel dit apparaat met grote zorg gefabriceerd en verschillende keren geïnspecteerd is voordat het de fabriek verlaat, is het nog steeds mogelijk dat er problemen optreden, zoals met alle elektrische apparaten. Als u rook, een overmatige hitteontwikkeling of enig ander onverwacht verschijnsel opmerkt, moet u onmiddellijk de stekker van het netsnoer uit het stopcontact halen.
14. Dit apparaat moet werken op een voedingsbron, zoals aangegeven op het specificatieplaatje. Als u twijfelt over het type voeding dat gebruikt wordt in uw huis, raadpleeg dan uw dealer of plaatselijk energiebedrijf.
15. * Het stopcontact moet in de buurt van de apparatuur zijn geïnstalleerd en eenvoudig te bereiken zijn.
16. * Overbelast stopcontacten of verlengsnoeren niet. Overbelasting kan brand of een elektrische schok veroorzaken.
17. * Apparaten met een Klasse 1 structuur dienen te worden aangesloten op een stopcontact met een beschermende aardverbinding.
18. * Apparaten met een Klasse 2 structuur vereisen geen aardverbinding.
19. Houd het uit de buurt van knaagdieren. Knaagdieren knauwen graag aan voedingskabels.
20. * Houd altijd de stekker vast wanneer u deze uit het stopcontact trekt. Trek nooit aan de voedingskabel. Dit kan tot een kortsluiting leiden.

21. Vermijd om het toestel te plaatsen op een ondergrond die blootgesteld kan worden aan trillingen of schokken.
22. Gebruik een zacht, droog doekje om het apparaat te reinigen. Gebruik geen oplosmiddelen of op benzine gebaseerde vloeistoffen. U kunt een vochtig doekje met verdund schoonmaakmiddel gebruiken om hardnekkige vlekken te verwijderen.
23. De leverancier is niet verantwoordelijk voor schade of verloren gegevens veroorzaakt door storing, misbruik, modificatie van het apparaat of batterijvervanging.
24. Onderbreek nooit de verbinding wanneer het apparaat formateert of bestanden overdraagt. De gegevens kunnen anders corrupt of verloren raken.
25. Indien het apparaat een USB-afspeelfunctie heeft, moet de USB-geheugenstick rechtstreeks op het apparaat worden aangesloten. Gebruik geen USB-verlengkabel, omdat die kan leiden tot storingen met foutieve gegevens als gevolg.
26. Het apparaat mag niet worden blootgesteld aan druppels of spatten en zorg ervoor dat er geen met vloeistof gevulde voorwerpen, zoals vazen, op of nabij het apparaat zijn geplaatst.
27. * Om de verbinding met de stroomaansluiting volledig te verbreken, moet de stekker van het apparaat uit het stopcontact worden gehaald, omdat de stekker van het apparaat de hoofdschakelaar is.
28. Indien het apparaat op batterijen kan werken, dan mogen de batterijen niet aan overmatige hitte, zoals zonlicht, open vuur e.d. worden blootgesteld.
29. Aandacht voor het milieu is nodig bij het verwijderen van de batterijen.
30. Het apparaat kan alleen worden gebruikt in gematigde klimaten. Extreem koude of warme omgevingen moeten worden vermeden.
31. Het nominale specificatielabel is te vinden op het paneel aan de onder- of achterkant van het apparaat.
32. Dit apparaat is niet bestemd voor gebruik door mensen (inclusief kinderen) met fysieke, zintuiglijke of geestelijke gebreken of gebrek aan kennis en ervaring, tenzij zij onder toezicht staan of instructies hebben over het juiste gebruik van het apparaat hebben gekregen van de persoon die verantwoordelijk is voor hun veiligheid.
33. Dit product is alleen voor niet-professioneel gebruik bedoeld en niet voor commercieel of industrieel gebruik.
34. Verzeker u ervan dat het apparaat in een stabiele positie staat opgesteld. Schade, veroorzaakt door het gebruik van dit product in een onstabiele positie, of door het niet naleven van waarschuwingen of voorzorgsmaatregelen genoemd in deze handleiding, valt niet onder de garantie.
35. Verwijder nooit de behuizing van dit apparaat.
36. Plaats dit apparaat nooit op andere elektrische apparatuur.
37. Dit product niet gebruiken of opslaan op plaatsen waar het wordt blootgesteld aan direct zonlicht, hitte, buitensporig veel stof of trillingen.
38. Geef kinderen geen gelegenheid in aanraking met plastic zakken te komen.
39. Gebruik uitsluitend uitbreidingen/accessoires gespecificeerd door de fabrikant.
40. Laat alle reparaties over aan gekwalificeerd onderhoudspersoneel. Onderhoud is vereist als het toestel hoe dan ook is beschadigd, zoals bijvoorbeeld het netsnoer of de stekker, wanneer er vloeistof of een voorwerp in het apparaat is terechtgekomen, wanneer het apparaat is blootgesteld aan regen of vocht, als het niet normaal werkt of is gevallen.
41. * Gebruik nooit een beschadigde voedingskabel of stekker of een los stopcontact. Dit vormt namelijk een risico op brand of elektrische schokken.
42. Langdurige blootstelling aan luid geluid van persoonlijke muzikspelers kan leiden tot tijdelijke of permanente gehoorbeschadiging.

INSTALLATIE

- Pak alle onderdelen uit en verwijder de beschermende materialen.
 - * Sluit het apparaat niet aan op het stopcontact, voordat u de netspanning hebt gecontroleerd en voordat alle andere aansluitingen zijn gemaakt.
- * Deze instructies zijn enkel van toepassing voor producten met een voedingskabel of een AC voedingsadapter.**

1. Productoverzicht



1. Scherm
2. Links
3. Stand-by
4. Menu
5. Vol/Nav/Ok/Scroll Indrukken=Selecteren
6. Fav
7. Dimmer
8. Correct
9. In-/uitschakelen
10. DC IN
11. Aux in (3,5 mm)
12. Hoofdtelefoon uit (3,5 mm)

2. AANVANKELIJK GEBRUIK

Controleer a.u.b. voorafgaand aan gebruik dat de SPANNING aangegeven op de voedingsbron hetzelfde is als uw plaatselijke spanningstoevoer.

Gebruik de meegeleverde netadapter om het apparaat aan te sluiten op een huishoudelijk stopcontact.

Schakel het apparaat in met de aan-/uitschakelaar op de achterzijde.

Als het de eerste keer is dat het apparaat wordt gebruikt, vraagt het systeem u om de taal- en netwerkconfiguraties in te stellen. U kunt de netwerkverbinding onmiddellijk instellen of later instellen. Gebruik Navigeren om de gewenste optie te selecteren. Druk op "Navigate/OK" om te bevestigen.


Druk op de toets Stand-by wanneer het apparaat is ingeschakeld om deze op stand-by te schakelen. Druk nogmaals in om het apparaat weer in te schakelen.


3. Netwerkconfiguratie

1. Normale netwerkconfiguratie

Selecteer "Yes" (Ja) voor de normale draadloze netwerkconfiguratie: Draai vervolgens "Navigate" om het vereiste toegangspunt te selecteren en druk ter bevestiging op "Navigate/OK".

Voer de WEP- of WPA-code in om verbinding te maken met het WiFi-netwerk door de toets "Navigate/OK" te draaien en de juiste karakters te selecteren.

Druk op de toets  om het volgende karakter te selecteren.

U kunt in deze modus ook op de toets  drukken om het vorige karakter te selecteren en deze gelijktijd te wissen:

Wanneer het wachtwoord volledig is ingevoerd, druk a.u.b. ter bevestiging op de toets "Navigate/OK".

Opmerking: De volgende karakters zijn beschikbaar voor deze radio:

Cijfers (van 0-9)

Engelse letters (van A tot Z en van a tot z)

Overige karakters (wissen, @, spatie, !, ", #, \$, %, &, *, ', + en (,))

2. WPS PBC netwerkconfiguratie

Selecteer "Yes WPS" (Ja WPS) wanneer u de draadloze netwerkfunctie (WPS PBC) wilt instellen: Als u gebruik maakt van een router met een WPS-knop, kunt u de netwerkverbinding eenvoudig instellen via de WPS-functie. Stel het in door binnen 120 seconden op de WPS-knop te drukken.

De verbinding tussen de router en radio zal vervolgens automatisch worden geconfigureerd.

Selecteer "No" (Nee) wanneer u op dit moment geen netwerk wilt configureren.

3. Geen netwerkconfiguratie

Selecteer "No" (Nee) wanneer u op dit moment geen netwerk wilt configureren.

Druk op "Stand-by" voor stand-by. De netwerkconfiguratie is geslaagd wanneer de huidige datum en tijd worden weergegeven. De datum, tijd en alarmen (indien geactiveerd) zullen ook in stand-by op de display worden weergegeven.

4. INTERNETRADIO

Schakel in met "Stand-by" en draai Navigate om het hoofdmenu te doorlopen. Druk op OK (om submenu's te openen of instellingen te bevestigen).

Druk op ◀ om terug te keren naar het vorige menu.

Nadat de verbinding met enigerlei station is geslaagd, zal de informatie van dat station worden weergegeven: Gebruik de toets ◀ of ▶ om de informatie te doorlopen.

Mijn favorieten

Lijst van mijn favoriete voorkeurstations. De radio ondersteunt 250 favoriete voorkeuren, inclusief stations en mappen. Houd tijdens het afspeelscherm van het station Fav op het apparaat ingedrukt om het station als mijn favoriet op te slaan. U kunt het vorige opgeslagen station vervangen door de nieuwe.

Als het geselecteerde station is opgeslagen, kunt u het niet opnieuw opslaan. De opgeslagen stations worden getoond in dit menu. U kunt ook op Fav drukken om de lijst met opgeslagen stations te openen.

Ga in de lijst met voorkeuzezenders naar uw station; druk op OK van het apparaat om te luisteren.

Radiostation/Muziek

Stations zijn ingedeeld op Globale Top 20, Genre en Land/Locatie (Afrika, Azië, Europa, Middenoosten, Noord-Amerika, Oceanië/Stille Oceaan en Zuid-Amerika). Kies er een om de subcategorieën te openen en kies de zender om naar te luisteren.

Druk voor elk station op OK van het apparaat om direct af te spelen.

Lokale radio:

Stations zijn ingedeeld op het land/de locatie waar het apparaat wordt gebruikt.

Slaapradio

U kunt kiezen uit Birds (Vogels), Lullaby (Slaapliedje), Piano, Rain (Regen), Spa, Space (Ruimte), Wave (Golf), White Noise (Witte ruis) voor uw slaapgeluid.

Geschiedenis:

Lijst van de tien laatst beluisterde stations.

Service:

Naar een radiostation zoeken, voer een trefwoord in om naar een radiostation in de lijst te zoeken.

Een nieuw station toevoegen door een IP-adres in te voeren; toegevoegde stations worden opgeslagen in "My Favorite" (Mijn favorieten).

Merk op dat 250 tekens het maximale aantal tekens van de naam van het station is.

5. Mediacentrum

Selecteer de UPnP-modus of afspeellijstmodus met Navigate/OK.

UPnP

Als u gedeelde media hebt ingesteld, moet u de gedeelde media in UPnP zien.

Als u meerdere computers hebt die media delen, worden de alternatieven opgesomd.

Selecteer de gedeelde media die u wilt afspelen.

Opmerking: De radio kan alleen tracks lezen met een bestandsnaam van minder dan 40 karakters. Deze karakters moeten in Europese taal zijn. Als in de UPnP-modus het lezen van een track fout gaat, kunt u proberen om de bestandsnaam te wijzigen. Echter, als de track nog steeds niet wil afspelen, kunt u proberen het bestand in een ander formaat om te zetten.

Mijn afspeellijst:

U kunt een afspeellijst maken van favoriete muziek van UPnP. Houd tijdens het afspelen OK van het apparaat ingedrukt om het op te slaan in My Playlist (Mijn afspeellijst).

Wissen van Mijn afspeellijst

Selecteer de optie YES (JA) om de afspeellijst te wissen.

6. Mijn mediaU

Weergave en afspelen van uw eigen mediaU-stationslijst op de mediaU-server. Stel eerst uw account in. Volg de stappen hieronder om uw eigen stationslijst te activeren:

Ga naar <http://www.mediayou.net/>. Word lid van "mediaU". Meld aan op de website;

Voer het draadloze MAC-adres van de radio in op de mediaU website. Deze informatie is te vinden in Center>System information>Wireless Info (Centrum>Systeeminformatie> Informatie draadloos).

Wanneer succesvol geconfigureerd, kunt u uw eigen mediaU-stationslijst(en) opslaan en bekijken. Er zijn geen gebruikersnaam en wachtwoord vereist om de radio te openen.

Als u meerdere accounts hebt opgeslagen in Radio, dan kunt u het momenteel gebruikte account selecteren in het menu "Configuration" (Configuratie). U kunt op de website stations opslaan in Favorite Station (Favoriete station), Favorite Location/Genre (Favoriete locatie/genre) en My Local City (Mijn lokale stad) instellen of stations handmatig toevoegen. De stations kunnen worden bekeken via de modus "My Media" (Mijn media) op de radio.

7. Informatiecentrum

Het weer

Er zijn weersinformatie en -prognoses voor 2000 steden.

Selecteer het land en daarna de stad voor de weerdetails.

Draai aan de knop Navigate/OK om de weersvoorspelling voor de komende dagen te bekijken.

Het apparaat kan de weersinformatie tonen wanneer op stand-by geschakeld. Druk op de pagina weersinformatie op OK om het weer te kiezen dat in de stand-bymodus moet worden weergegeven en druk op OK om te bevestigen.

Financiële informatie

De koersindex bekijken

Systeeminformatie

Details van apparaten en van het verbonden netwerk bekijken. De informatie omvat het MAC-adres dat u dient in te vullen bij de registratie van het my mediaU-lidmaatschap.

8. CONFIGURATIE

Tijdweergave	Analoog/digitaal
Mijn MediaU	Wanneer het is ingeschakeld, dan zal My MediaU (Mijn MediaU) in het hoofdmenu staan. Als meerdere MediaU accounts bestaan in de radio, selecteer dan hier het standaard aanmeldaccount.
Netwerk	<p>Draadloze netwerkconfiguratie: In-/uitschakelen wifi-netwerk. Wanneer u het WiFi-netwerk inschakelt, dan zal het systeem automatisch het vereiste toegangspunt selecteren. Voer de WEP- of WPA-code in om met wifi te verbinden.</p> <p>Draadloos netwerk (WPS PBC): Als u gebruik maakt van een router met een WPS/QSS-knop, dan kunt u de netwerkverbinding eenvoudig instellen via de WPS-functie. Stel het in door binnen 120 seconden op de WPS/QSS-knop te drukken. De verbinding tussen de router en Music Link zal vervolgens automatisch worden geconfigureerd.</p> <p>Handmatige configuratie: U kunt kiezen voor DHCP (die automatisch een IP toewijst) of voor het handmatig invoeren van een IP-adres voor de draadloze netwerkverbinding. Wanneer u de handmatige instelling voor de bekabelde verbinding selecteert, dient u het volgende in te voeren: SSID (naam van toegangspunt), IP-adres, subnet mask, standaard gateway, gewenste DNS-server, alternatieve DNS-server.</p> <p>Controleer netwerk bij het inschakelen: In-/uitschakelen wifi-netwerk. Wanneer u het wifi-netwerk inschakelt, zal het systeem automatisch naar de beschikbare AP zoeken. Selecteer uw gewenste AP.</p>
Datum & Tijd	Datum en tijd instellen Stel de tijdweergave in per 12 Hour (12 uur) of 24 Hour (24 uur) Stel het datumformaat in (JJJJ/MM/DD-DD/MM/JJJJ-MM/DD/JJJJ)
Alarm	Er zijn drie onafhankelijke alarmen beschikbaar – 2 alarmen voor absolute tijdstelling (Alarm 1 en Alarm 2) en 1 alarm voor relatieve tijdstelling (Alarm NAP (Dutje)). Houd er rekening mee dat de alarmbron de eerder ingestelde internetradio is als het alarmgeluid is ingesteld op de internetradio. Er kan maar één en dezelfde IR-station voor Alarm 1 en Alarm 2 worden ingesteld. Wanneer de alarmtijd wordt bereikt, zal het apparaat verbinding maken met het internet als het ingestelde netwerk beschikbaar is. Daardoor kan er enige vertraging optreden tussen het moment van alarm en het geluid van de radio. Als er binnen één minuut geen netwerkverbinding tot stand kan worden gebracht, zal de alarmbron automatisch op “Melody” (Melodie) schakelen. Wanneer het alarm “NAP” (Dutje) is ingesteld, zal het alarm eenmaal in 5/10/20/30/60/90/120 minuten klinken, afhankelijk van uw instelling. U kunt Alarm Volume (Alarm-volume) kiezen om het volume van de alarmen te configureren.
Timer Gepland afspelen	Afteller (max. 100min) Wanneer u aan kiest, kunt u het gepland afspelen en de frequentie instellen. U kunt niet van station veranderen wanneer u klaar bent met gepland afspelen

	of de instelling wordt gedeactiveerd.
Taal	English/Deutsch/Espanol/Francais/Portugese/Nederlands/Italiano/Pyccknn/Svenska/Norske/Dansk/Magyar/Cesky/Slovensky/Polski/Turkce/Suomi
Dimmer	Energiebesparing/Inschakelen
Scherm	Kleur/zwart-wit
Voedingsbeheer	Configureer om automatisch in stand-by te gaan als u in het menu bent of/en zonder wifi-signaal. Kies de tijd klok van de energie-manager (5/15/30 minuten) om de tijd van de radio in te stellen, voordat hij automatisch in stand-by modus schakelt wanneer u hem niet bedient. Kies "Turn off" (Uitschakelen) om de energie-management-functie te negeren.
Slaaptimer	Schakel deze optie uit of stel de slaaptimer in op 15/30/60/90/120/150/180 minuten. Nadat de tijd eenmaal is ingesteld, zal er rechtsboven in de hoek een slaapicoontje verschijnen met de resterende minuten; het apparaat zal na deze tijd op stand-by schakelen.
Buffer	Configureer de buffertijd van het afspelen van muziek in 2/4/8 seconden.
Het weer	De weersverwachting voor de display in stand-by activeren/deactiveren. Selecteer de gewenste temperatuureenheid (°F or °C) en voer vervolgens uw lokatie in. Wanneer geactiveerd, worden de weersvoorspelling en klokweergave afwisselend op het stand-by scherm getoond (elk 10 seconden).
Lokale radio instellen	Er is een snelkoppeling Local Radio (Lokale radio) onder Internetradio, zodat u gemakkelijk naar de stationslijst van uw locatie kunt gaan. U kunt uw locatie Handmatig instellen of u laat het systeem uw huidige locatie Auto automatisch detecteren. Het systeem detecteert de locatie op basis van het IP-adres van uw aangesloten netwerk. Druk op "Lokaal station" om deze lokale radiolijst direct te openen.

De optie FM (IR) en DAB (IR) (luisteren naar lokale FM/DAB-radiozenders op internet)

Om de optie FM (IR) en DAB (IR) te activeren, moet u eerst de functie FM (IR) en DAB (IR) inschakelen.

U kunt dit doen door op de toets 'Menu' te drukken, 'Configuration (Configuratie)' en vervolgens 'Local Radio Setup (Lokale radio instellen)' te selecteren. Selecteer nu FM (IR) en druk op de toets 'OK'. Selecteer 'Enable (Inschakelen)' en druk nogmaals op de toets 'ok'.

Herhaal de bovenstaande procedure voor de optie DAB (IR) als u DAB-kanalen via internet wilt beluisteren.

Wanneer u FM (IR) en/of DAB (IR) hebt ingeschakeld, moet u uw locatie instellen.

U kunt dit doen door 'set location (Locatie instellen)' te selecteren in 'local Radio setup (Lokale radio instellen)' en 'Manual Setup (City) (Handmatig instellen (stad))' te kiezen. Druk op OK om te bevestigen. Nu kunt u bijvoorbeeld, als u in Berlijn bent, Europa selecteren en vervolgens op de toets 'OK' drukken om te bevestigen. Selecteer Germany (Duitsland) en druk op de toets 'OK' om te bevestigen. Selecteer Berlin (Berlijn) en druk op de toets 'OK' om te bevestigen. Selecteer nogmaals Berlin (Berlijn) en druk op de toets 'OK'. Nu verschijnt er een melding "Save as Local Radio (Opslaan als lokale radio)", druk op 'OK' om de instellingen te voltooien.

Nu verandert het scherm en ziet u DAB (IR) - Berlin (Berlijn) en FM (IR) - Berlin (Berlijn) op het scherm. U kunt DAB-radiozenders kiezen door DAB (IR) - Berlin (Berlijn) te selecteren en op de toets 'OK' te drukken. Nu ziet u een lijst met DAB-radiozenders uit Berlijn. Selecteer het gewenste kanaal en druk op de toets 'OK' om ernaar te luisteren.

Er verschijnt nu een icoontje DAB (IR) en FM (IR) op het hoofdmenuscherm, om snel een ander DAB- of FM-radiozender te selecteren.

Opmerking:

- Als er geen locatie is ingesteld, dan zal de zenderlijst leeg zijn wanneer u FM (IR) of DAB (IR) selecteert.
- Voor FM (IR)-stations moet u uw STAD handmatig selecteren. FM (IR) werkt niet als u alleen uw land selecteert of het automatisch laat zoeken.
- Van elke stad zijn niet alle FM/DAB-stations beschikbaar, maar de database wordt continu bijgewerkt.

Afspelen instellen	Selecteer de afspelmodus van het mediacentrum - Uit (geen herhaling of shuffle), Alles herhalen, Eén herhalen of Shuffle.
Apparaat	De standaard apparaatnaamr voor DLNA is "AirMusic". U kunt het hernoemen bij de DLNA-instelling op de pc of mobiel. QR-code voor het downloaden en installeren van de APP "AirMusic".
Equalizer	De standaard equalizer is Normaal, maar u kunt dit veranderen in Vlak, Jazz, Rock, Soundtracks, Klassiek, Pop, of Nieuws MIJN EQ.
Hervatten bij inschakelen	Het systeem is standaard ingesteld om internetradio afspelen te hervatten als u naar internetradio of mediaceuter aan het luisteren was voordat u het apparaat hebt uitgeschakeld. Als u deze instelling uitschakelt, blijft het systeem in het hoofdmenu wanneer u het apparaat inschakelt.
Software-update	Software-update. Het systeem zal u informeren wanneer er een bijgewerkte softwareversie beschikbaar is op de server. Voordat u een software-upgrade start, dient u ervoor te zorgen dat het apparaat is aangesloten op een stabiele netvoeding. Als de voeding tijdens een software-update wordt onderbroken, dan kan het apparaat permanent worden beschadigd.
Terugzetten naar standaard	Herstel de standaardinstellingen. Nadat het apparaat is teruggezet, gaat het systeem naar de geselecteerde taal.

9. DLNA/UPnP

U kunt de standaard DLNA-naam naar wens aanpassen. De informatie hieronder introduceert de instellingen voor media streaming via een PC of andere mediaserver. Bestudeer indien nodig de instructies van de software of apps die u wilt gebruiken om te genieten van muziek via streaming. Zorg ervoor dat de muziekbestanden het formaat MP3, WHA, WAV of AAC hebben voor muziek streaming naar de radio.

UPnP

Sluit de pc aan op het netwerk.

Zorg ervoor dat de radio is ingeschakeld en isverbonden met hetzelfde netwerk.

Open het UPnP-platform Windows Media Player (11 of hoger). Als alternatief kunnen andere platforms of servers zoals Windows Media Connection worden gebruikt.

U kunt hiermee uw media delen met de radio.

Voeg de audiobestanden en folders toe aan de mediabibliotheek die u wilt delen met de radio.

U kunt ook genieten van gestreamde muziek van andere muziek-servers, zoals een smartphone (Android platform)

Verbind de mobiele telefoon met het netwerk

Zoek en installeer apps in Google Play, die media delen.

Voeg de audiobestanden van uw mobiel die u wilt delen toe.

Na instelling van de gezamenlijk gebruikte server, selecteer de muziek en gebruik de afspelerbedieningen op de radio.

DLNA

Naast UPnP, ondersteunt de radio ook de DLNA-functie waarmee u de muziekbestanden vanuit een pc of mobiele Android telefoon kunt delen. U kunt ook uw pc, mobiele Android telefoon of iPhone/iPad gebruiken om het afspelen van muziek te regelen op de radio. (het is niet nodig elke afspelerbediening op de radio te regelen.)

De vereiste pc-systeem voor DLNA is Windows 7 en Windows Media Player 12. Instellen zoals hieronder: Deel eerst de media op uw pc met de radio.

Control Panel (controlepaneel) > Network and Internet (netwerk en internet) > Network and Sharing Center (netwerk en deelcentrum) > Change advanced sharing settings (Geavanceerde deelininstellingen wijzigen) > Media streaming options (opties mediastreaming)

Open Windows Media Player om Allow remote control of my Player (Sta afstandsbediening vanaf mijn speler toe) in te schakelen.

Rechtsklik op het gewenste muziekbestand in de bibliotheek en selecteer "Play to Radio" (Afspelen op radio).

Er zal een venster verschijnen om het afspelen van de muziek op de radio te regelen.

U kunt elke gratis of commerciële DLNA-app van Google Play of de Apple Store zoeken en installeren als u gebruik maakt van Android mobiel, tablet of iPhone/iPad. Wij raden u aan bubble UPnP, Twonky Beam op een Android telefoon of tablet te gebruiken en Twonky Beam op een iPhone/iPad.

Sommige apps geven geen ondersteuning voor het streamen van muziek vanaf de iPhone/iPod, maar de iPhone/iPod kan nog wel worden gebruikt voor de bediening van het streamen van muziek vanaf andere servers.

Procedures voor het afspelen van gedeelde muziek op de app zijn:

Selecteer de radio als de speler. Sommige apps staan toe dat de muziek op meerdere spelers tegelijk wordt afgespeeld.

Selecteer muziekserver en kies de muziek. Sommige apps kunnen een afspeellijst maken als u verschillende muziek kiest.

Opmerking: Wanneer de functie DLNA muziek streamen op de internetradio wordt gebruikt, kunt u alleen het volume en de stand-bystand regelen via het apparaat. Het is beperkt om de andere functies te bedienen. Stop DLNA op pc, mobiel of tablet voordat u de eigen bediening van internetradio hervat.

10. AUX (Lijningang)

Speelt audio van een externe bron af zoals een MP3-speler. Om audio af te spelen in de Aux-in-modus:

Stel het volume laag in op zowel de radio als de audiobron, indien instelbaar.

Sluit de externe audiobron aan op de Aux in 3,5 mm stereo-aansluiting.

Selecteer AUX in het Hoofdmenu.

Pas het volume van de radio naar wens aan (en eventueel van de audiobron).

11. De hoofdtelefoonuitgang gebruiken

Steek de 3,5 mm-jack-stekker van de hoofdtelefoon in de hoofdtelefooningang op het achterpaneel.

Pas het volumeniveau naar wens aan met de volumeregeling.

12. Technische specificaties

Netwerk	802.11b/g/n (WLAN) encryptie: WEP, WPA, WPA 2(PSK), WPS
Streaming	UPnP, DLNA
Ondersteunde bestandtypes	WMA, MP3,
Aansluitingen	DC, 3,5 mm AUX-IN, 3,5 mm hoofdtelefoon uit
Ingang	100-240 V~50/60 Hz, max 0,2 A
Uitgang	5 V/1 A
Energieverbruik	5 W
Stroomverbruik (in stand-by)	< 1 W
Bedrijfstemperatuur	0°C-35°C
Werkingspositie	Horizontaal
Voedingsadapter: (Alleen voor EU)	
Fabrikant:	Shenzhen Adition Audio Science and Technology Co., Ltd
Modelnummer:	AD0600501000EU
Gebruik alleen de originele wisselstroomadapter	
Gebruik uitsluitend het voedingsapparaat dat in de gebruiksaanwijzingen staat vermeld.	
Afmetingen	180 x 61 x 109 mm (B x D x H)
Gewicht	304 g

13. Garantie

Lenco biedt service en garantie aan overeenkomstig met de Europese wetgeving. Dit houdt in dat u, in het geval van reparaties (zowel tijdens als na de garantieperiode), uw lokale handelaar moet contacteren.

Belangrijke opmerking: Het is niet mogelijk om producten die moeten worden gerepareerd rechtstreeks naar Lenco te sturen.

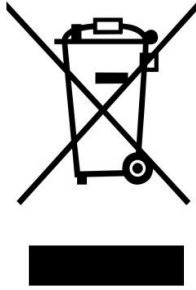
Belangrijke opmerking: De garantie verloopt als een onofficieel servicecenter het apparaat op wat voor manier dan ook heeft geopend, of er toegang toe heeft gekregen.

Het apparaat is niet geschikt voor professioneel gebruik. In het geval van professioneel gebruik worden alle garantieverplichtingen van de fabrikant nietig verklaard.

14. Disclaimer

Er worden regelmatig updates in de firmware en/of hardwarecomponenten gemaakt. Daardoor kunnen gedeelten van de instructie, de specificaties en afbeeldingen in deze documentatie enigszins verschillen van uw eigen situatie. Alle onderwerpen die staan beschreven in deze handleiding zijn bedoeld als illustratie en zijn niet van toepassing op specifieke situaties. Aan de beschrijving in dit document kunnen geen rechten worden ontleend.

15. Afvoer van het oude apparaat



Dit symbool geeft aan dat het betreffende elektrische product of de accu/batterij niet mag worden verwijderd als algemeen huishoudelijk afval in Europa. Zorg voor een juiste afvalverwerking door het product en de accu/batterij in overeenstemming met alle van toepassing zijnde lokale wetten voor het verwijderen van elektrische apparatuur of accu's/batterijen te verwijderen. Als u dit doet, helpt u de natuurlijke hulpbronnen te behouden en de standaard van milieubescherming te verbeteren bij de behandeling en verwijdering van elektrisch afval (Afgedankte Elektrische en Elektronische Apparatuur).

16. CE-markering

Lenco Benelux B.V., Thermiekstraat 1a, 6361 HB Nuth, Nederland, verklaart hierbij dat dit product voldoet aan de vereisten van de essentiële EU-richtlijnen.

De verklaring van conformiteit kan worden aangevraagd via techdoc@commaxxgroup.com



17. Service

Bezoek voor meer informatie en helpdeskondersteuning www.lenco.com

Lenco Benelux BV, Thermiekstraat 1a, 6361 HB, Nederland.

ACHTUNG:

Eine andere als die hier beschriebene Bedienung, Einstellung oder Verwendung der Funktionen kann zu gefährlicher Strahlenbelastung führen.

Dieses Gerät darf nur von qualifizierten Fachkräften und niemand anderem repariert oder eingestellt werden.

VORSICHTSMASSNAHMEN VOR DER BENUTZUNG

BEFOLGEN SIE IMMER FOLGENDE ANWEISUNGEN:

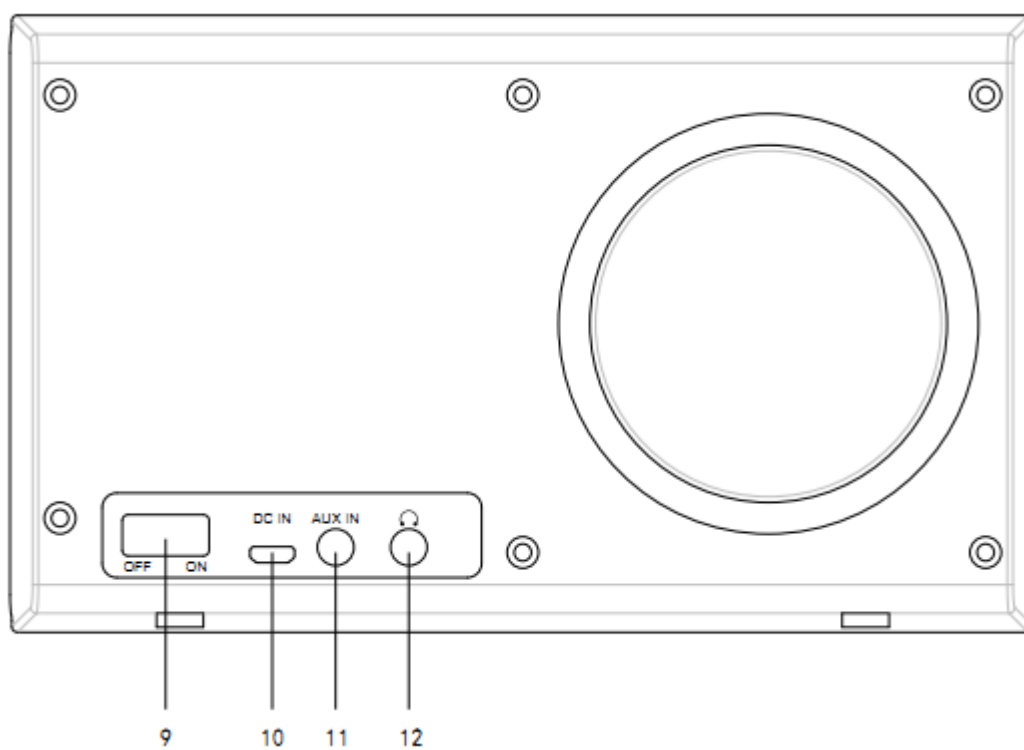
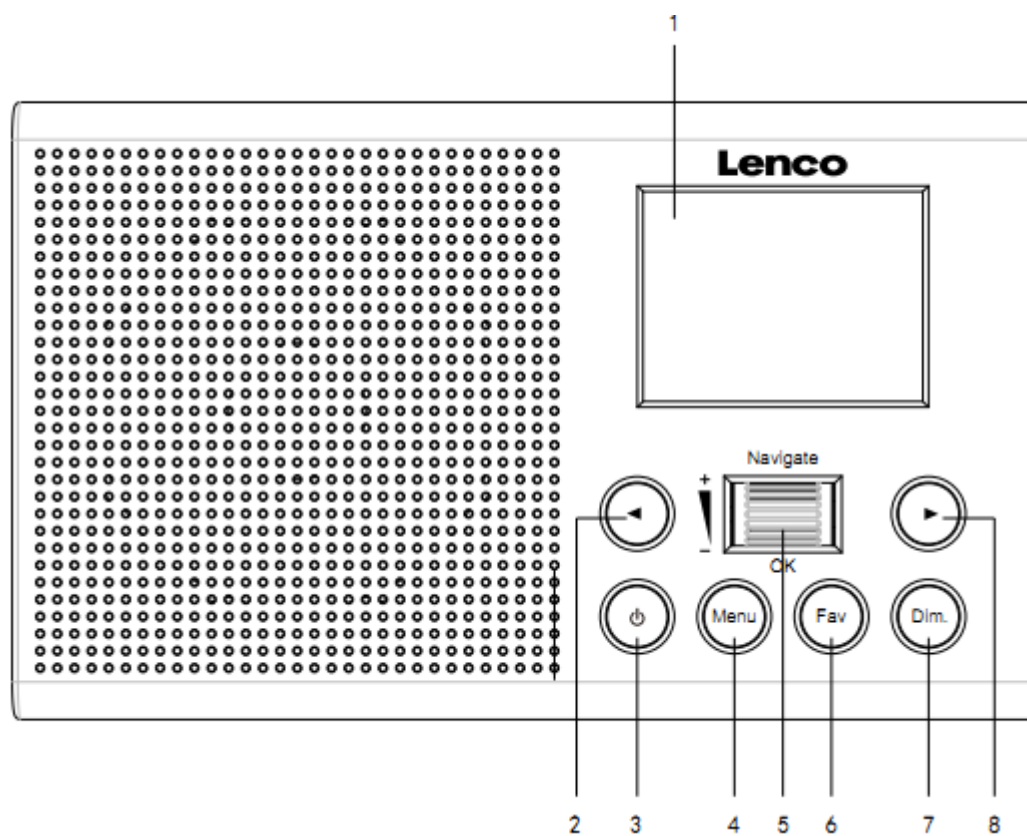
1. Benutzen Sie das Gerät nicht in der Nähe von Wasser.
2. Benutzen Sie zur Reinigung ein nur leicht befeuchtetes Tuch.
3. Blockieren oder bedecken Sie keine Lüftungsöffnungen. Wenn Sie das Gerät auf ein Regal stellen, lassen Sie um das gesamte Gerät 5 cm (2") freien Platz.
4. Stellen Sie das Gerät entsprechend den Anweisungen der mitgelieferten Bedienungsanleitung auf.
5. * Treten Sie nicht auf das Netzteil und klemmen Sie es auch nicht ein. Seien Sie im näheren Bereich des Steckers und der Herausführungen des Kabels besonders vorsichtig. Stellen Sie keine schweren Gegenstände auf das Netzteil, weil es dadurch beschädigt werden könnte. Halten Sie das gesamte Gerät außerhalb der Reichweite von Kindern! Durch Spielen mit dem Netzkabel können sie sich ernsthafte Verletzungen zuziehen.
6. * Trennen Sie das Gerät während eines Gewitters oder bei längerer Nichtbenutzung vom Netz.
7. Halten Sie das Gerät von Hitzequellen wie Radiatoren, Heizern, Öfen, Kerzen oder anderen hitzeerzeugenden Produkten oder offenen Flammen fern.
8. Meiden Sie bei der Nutzung des Produkts die Nähe starker Magnetfelder.
9. Elektrostatische Entladungen können die normale Verwendung von diesem Gerät stören. Sollte dies geschehen, führen Sie einfach einen Reset aus und starten Sie dann das Gerät entsprechend den Anweisungen dieser Bedienungsanleitung neu. Gehen Sie besonders bei Datenübertragungen mit dem Gerät vorsichtig um und führen Sie diese nur in einer antielektrischen Umgebung aus.
10. Warnung! Niemals Gegenstände durch die Lüftungsschlitze oder Öffnungen in das Gerät stecken. In diesem Gerät fließt Hochspannung und das Hineinstecken von Gegenständen kann zu elektrischem Schock und/oder Kurzschluss interner elektrischer Bauteile führen. Aus dem gleichen Grund kein Wasser oder Flüssigkeiten in das Gerät geben.
11. Benutzen Sie das Gerät nicht in nasser oder feuchter Umgebung wie Bad, Dampfküche oder in der Nähe von Schwimmbecken.
12. Benutzen Sie das Gerät nicht bei Kondensationsgefahr.
13. Obwohl dieses Gerät unter größter Sorgfalt und vor Auslieferung mehrmals überprüft wurde, können trotzdem wie bei jedem anderen elektrischen Gerät auch Probleme auftauchen. Trennen Sie das Gerät im Falle einer Rauchentwicklung, starker Hitzeentwicklung oder jeden anderen unnatürlichen Erscheinung sofort vom Netz.
14. Dieses Gerät ist durch eine Stromquelle wie auf dem Typenschild angegeben zu betreiben. Halten Sie bei Unsicherheiten über die Art Ihrer Stromversorgung in Ihrer Wohnung Rücksprache mit Ihrem Händler oder Ihrer Stromzuliefererfirma.
15. * Die Wandsteckdose muss sich in der Nähe des Geräts befinden und einfach zu erreichen sein.
16. * Überlasten Sie weder Netzsteckdosen noch Verlängerungskabel. Eine Überlastung kann zu Brandgefahr bzw. Stromschlag führen.
17. * Geräte der Schutzklasse 1 sind an eine Netzsteckdose mit Schutzleiter anzuschließen.
18. * Geräte der Schutzklasse 2 benötigen keinen Schutzleiteranschluss.
19. Halten Sie Nagetiere vom Gerät fern. Nagetiere lieben es, am Netzkabel zu nagen.
20. * Halten Sie den Netzstecker in der Hand, wenn Sie ihn aus der Netzsteckdose ziehen. Ziehen Sie ihn nicht durch Zerren am Kabel heraus. Das kann zu einem Kurzschluss führen.
21. Vermeiden Sie es, das Gerät auf Oberflächen aufzustellen, die zu Schwingungen oder Stoß neigen.

22. Benutzen Sie für die Reinigung ein weiches und trockenes Tuch. Benutzen Sie niemals Lösungsmittel oder Flüssigkeiten auf Ölbasis. Benutzen Sie zum Entfernen hartnäckiger Flecken ein feuchtes Tuch mit mildem Reinigungsmittel.
23. Der Hersteller haftet nicht für Schäden oder Verluste durch Fehlfunktion, Zweckentfremdung oder Modifikation des Geräts oder durch Wechseln der Batterien.
24. Unterbrechen Sie die Verbindung nicht während einer Formatierung oder einer Datenübertragung. Bei Unterbrechung drohen Datenverlust und Datenbeschädigung.
25. Wenn das Gerät eine USB-Wiedergabefunktion besitzt, dann stecken Sie den USB-Stick direkt in das Gerät. Verwenden Sie kein USB-Verlängerungskabel, weil die erhöhte Störanfälligkeit zu Datenverlust führen könnte.
26. Das Gerät darf weder Tropf- noch Spritzwasser ausgesetzt werden und es dürfen keine mit Flüssigkeit gefüllten Behälter wie z.B. Vasen auf das Gerät oder in der Nähe des Gerätes gestellt werden.
27. * Um das Gerät vollständig vom Netz zu trennen, muss der Netzstecker des Gerätes vom Stromnetz getrennt werden, wobei die zu trennende Einheit den Netzstecker des Gerätes bezeichnet.
28. Wenn das Gerät über Batterien betrieben wird, dann sind diese vor übermäßiger Wärme wie Sonneneinstrahlung, Feuer oder ähnlichem zu schützen.
29. Augenmerk ist auf den ökologischen Aspekt der Batterieentsorgung zu legen.
30. Das Gerät kann nur bei gemäßigten Temperaturen verwendet werden. Sehr kalte und heiße Umgebungen sind zu vermeiden.
31. Das Typenschild befindet sich an der Unter- oder Rückseite des Gerätes.
32. Dieses Gerät ist nicht zur Benutzung durch Personen (auch Kinder) mit physischen, sensorischen oder mentalen Beeinträchtigungen oder ohne ausreichender Erfahrung vorgesehen, es sei denn, sie werden durch eine verantwortliche Person beaufsichtigt oder wurden in die ordnungsgemäße Bedienung des Gerätes durch eine für ihre Sicherheit verantwortlichen Person eingewiesen.
33. Dieses Produkt ist nur für den nicht-professionellen Gebrauch und nicht für gewerbliche oder industrielle Zwecke bestimmt.
34. Stellen Sie sicher, dass das Gerät in einer stabilen Position aufgestellt ist. Schäden, die durch Verwendung dieses Produkts in einer instabilen Position oder durch Nichtbeachtung der anderen in diesem Handbuch enthaltener Warnungen und Vorwarnung entstehen, werden nicht durch die Garantie abgedeckt.
35. Entfernen Sie niemals das Gehäuse dieses Geräts.
36. Stellen Sie dieses Gerät niemals auf andere elektrische Geräte.
37. Verwenden oder bewahren Sie dieses Produkt nicht an Orten auf, in denen es direkter Sonneneinstrahlung, Hitze, übermäßigem Staub oder Vibration ausgesetzt ist.
38. Halten Sie Kinder von den Plastiktüten fern.
39. Benutzen Sie nur vom Hersteller spezifizierte Erweiterungen/Zubehörteile.
40. Lassen Sie alle Eingriffe von qualifiziertem Servicepersonal ausführen. Eingriffe werden notwendig, wenn das Gerät in irgendeiner Weise beschädigt wurde, beispielsweise am Netzkabel oder am Netzstecker oder wenn Flüssigkeit in das Gerät gelangt ist bzw. Gegenstände in das Gerät gefallen sind, das Gerät Regen oder Feuchtigkeit ausgesetzt war, es heruntergefallen ist oder nicht ordnungsgemäß funktioniert.
41. * Verwenden Sie weder ein beschädigtes Netzkabel noch einen beschädigten Stecker oder eine lockere Steckdose. Es besteht Brand- und Stromschlaggefahr.
42. Längeres Hören lauter Töne aus einem Musikgerät kann zum zeitweiligen oder permanenten Hörverlust führen.

ANSCHLUSS

- Packen Sie alle Teile aus und entfernen Sie danach die Schutzmaterialien.
 - * Schließen Sie das Gerät nicht eher an das Netz an, bevor Sie die Netzspannung überprüft haben und alle anderen notwendigen Verbindungen hergestellt sind.
- * Diese Anleitung gilt nur für Produkte, die über ein Netzkabel oder einen Netzadapter verfügen.**

1. Produktübersicht



1. Anzeige
2. Nach links
3. Standby
4. Menü
5. Lautstärke/Navigation/OK/Scrollen Drücken = Auswahl
6. Favorit
7. Helligkeitsregler
8. Nach rechts
9. Ein-/Ausschalten
10. DC IN
11. AUX-Eingang (3,5 mm)
12. Kopfhörerausgang (3,5 mm)

2. ERSTBENUTZUNG

Versichern Sie sich vor Inbetriebnahme des Geräts, dass die auf dem Typenschild angegebene STROMSPANNUNG mit der Stromspannung vor Ort übereinstimmt.

Verwenden Sie zum Anschluss des Geräts an eine Haussteckdose das mitgelieferte Netzteil.

Schalten Sie das Gerät mit dem On/Off-Schalter auf der Rückseite des Geräts ein.

Wenn Sie das Gerät das erste Mal in Betrieb nehmen, dann fordert Sie das System auf, die Sprache einzustellen und das Netzwerk einzurichten. Sie können das Netzwerk sofort einrichten, dies aber auch später erledigen. Benutzen Sie die Navigation, um die gewünschte Sprache auszuwählen.

Drücken Sie zum Bestätigen „Navigate/OK“.


Wenn Sie bei eingeschaltetem Gerät die Taste Standby drücken, wechselt das Gerät in den Standby-Modus. Ein erneutes Drücken dieser Taste schaltet das Gerät wieder ein.

3. Netzwerkkonfiguration

1. Normal network configuration (Konventionelle Netzwerkkonfiguration)

Wählen Sie „Yes“ (Ja) für die konventionelle Netzwerkkonfiguration aus: Wählen Sie durch Drehen von „Navigate“ den gewünschten AP aus und bestätigen Sie Ihre Auswahl durch Drücken von „Navigate/OK“.

Geben Sie Ihr WEP- bzw. WPA-Passwort ein, indem Sie durch Drehen der „Navigate/OK“-Taste die entsprechenden Zeichen auswählen und verbinden Sie sich anschließend mit dem WiFi-Netzwerk.

Drücken Sie die  -Taste, um das nächste Zeichen auszuwählen.

Drücken Sie an dieser Stelle die ◀ -Taste, um den Cursor nach links zu bewegen und gleichzeitig das linksstehende Zeichen zu löschen:

Drücken Sie zur Bestätigung die „Navigate/OK“-Taste, wenn Sie das Passwort vollständig eingegeben haben.

Hinweis: Folgende Zeichen können bei diesem Radio verwendet werden:

Ziffern (von 0 bis 9)

Englische Buchstaben (von A bis Z bzw. von a bis z)

Sonderzeichen (Del, @ ,Leerzeichen, !, ", #, \$, %, &, *, ', + und (,))

2. WPS-PBC-Netzwerkconfiguration

Wählen Sie „Yes WPS“ (Ja WPS), wenn Sie Ihr Netzwerk über diese Drahtlosnetzwerkfunktion (WPS PBC) konfigurieren möchten: Wenn Sie einen Router mit WPS-Taste besitzen, können Sie Ihre Netzwerkverbindung einfach mittels dieser WPS-Funktion konfigurieren. Bestätigen Sie mit Enter und drücken Sie innerhalb von 120 Sekunden die WPS-Taste Ihres Routers.

Die Verbindung zwischen Router und Radio wird in diesem Fall automatisch konfiguriert.

Wählen Sie „No“ (Nein), wenn Sie das Netzwerk jetzt nicht konfigurieren möchten.

3. Keine Netzwerkconfiguration

Wählen Sie bitte „No“ (Nein), wenn Sie das Netzwerk jetzt nicht konfigurieren möchten.

Drücken Sie für das Standby die Taste „Standby“. Wird jetzt das aktuelle Datum und die aktuelle Uhrzeit angezeigt, war die Netzwerkconfiguration erfolgreich. Im Standby-Modus werden sowohl Datum und Uhrzeit als auch der Wecker – falls aktiviert – im Display angezeigt.

4. INTERNETRADIO

Wechseln Sie in den „Standby“-Modus und drehen Sie Navigate, um sich durch das Hauptmenü zu bewegen. Drücken Sie OK (für den Wechsel in Untermenüs oder für die Bestätigung ausgeführter Einstellungen)

Drücken Sie ◀ , um zum vorherigen Menü zurückzukehren.

Nach dem erfolgreichen Verbindungsaufbau zu einem Radiosender werden die Radiosenderinformationen angezeigt: Zwischen den angezeigten Informationsinhalten kann mit der ◀ oder ▶ -Taste gewechselt werden.

Favoritenliste

Liste meiner vorbelegten Favoritensender. Sie kann 250 Favoriteneinträge aufnehmen, einschließlich Sender und Ordner. Halten Sie bei angezeigtem Radiosenderwiedergabebildschirm die Taste Fav am

Gerät gedrückt, um den gerade wiedergegebenen Radiosender als Favorit zu speichern. Sie können den zuvor gespeicherten Sender mit dem neuen ersetzen.

Haben Sie den ausgewählten Radiosender bereits gespeichert, können Sie diese nicht noch einmal speichern. Die gespeicherten Radiosender werden in diesem Menü angezeigt. Sie können aber auch Fav drücken, um auf die Liste gespeicherter Radiosender zuzugreifen.

Bewegen Sie sich in der Liste gespeicherter Radiosender zum gewünschten Radiosender und drücken Sie am Gerät OK, um diesen Radiosender wiedergeben zu lassen.

Radiosender/Musik

Die Sender sind in „Global Top 20“, „Genre“ und „Country/Location“ (Africa, Asia, Europe, Middle East, North America, Oceania/Pacific und South America)(Globale Top 20, Genre und Land/Ort (Afrika, Asien, Europa, Naher Osten, Nordamerika, Ozeanien/Pazifik und Südamerika) unterteilt. Wählen Sie eine Kategorie aus, um zu den Unterkategorien zu gelangen und wählen Sie dann die Radiosender aus, die Sie hören möchten.

Sie können jeden Radiosender durch Drücken von OK am Gerät direkt wiedergeben lassen.

Lokalsender:

Die Radiosender sind unterteilt nach dem Land/dem Ort, in dem sie senden.

Einschlafradio

Sie können als Einschlafklang Birds (Vögel), Lullaby (Schlaflied), Piano (Klavier), Rain (Regen), Spa (Wasser), Space (Weltall), Wave (Wellen) oder White Noise (Weißes Rauschen) auswählen.

Verlauf:

Die Liste der zehn zuletzt gehörten Radiosender.

Dienste:

Search Radio Station (Radiosender suchen) – Geben Sie ein Schlüsselwort ein, nachdem der Radiosender in der Liste gesucht werden soll.

Fügen Sie durch Hinzufügen der IP-Adresse neue Radiosender hinzu. Die hinzugefügten Radiosender werden unter My Favorite (Favoriten) gespeichert.

Beachten Sie, dass der Name des Radiosenders nicht länger als 250 Zeichen lang sein darf.

5. Mediencenter

Wählen Sie mit Navigate/OK den UPnP- oder Wiedergabelistenmodus aus.

UPnP

Wenn Sie gemeinsame Mediennutzung eingestellt haben, sollten Sie diese über UPnP sehen können.

Haben Sie auf mehr als einem Computer Daten freigegeben, werden deren Namen aufgelistet.

Wählen Sie das zur gemeinsamen Nutzung freigegebene Medium aus, das Sie abspielen wollen.

Hinweis: Das Radio kann den Titel nur dann lesen, wenn der Dateiname kürzer als 40 Zeichen ist und es sich um Zeichen aus europäischen Sprachen handelt. Sollte ein Musiktitel im UPnP-Modus nicht

lesbar sein, können Sie versuchen, diesen umzubenennen. Sollte der Musiktitel weiterhin unabspielbar bleiben, können Sie auch versuchen, diesen in ein anderes Format zu konvertieren.

Wiedergabeliste:

Sie können eine Wiedergabeliste Ihrer UPnP-Lieblingslieder erstellen. Halten Sie während der Musikwiedergabe OK am Gerät gedrückt, um den aktuellen Titel in My Playlist (Meine Wiedergabeliste) zu speichern.

Wiedergabeliste löschen

Bitte wählen Sie bei dieser Option YES (Ja) aus, um die Wiedergabeliste zu leeren.

6. My mediaU

Anzeige und Wiedergabe der eigenen mediaU-Radiosenderliste auf dem mediaU-Server. Richten Sie zuerst Ihr Konto ein. Folgen Sie den nachstehenden Schritten, um Ihre Radiosenderliste zu aktivieren:

Zugriff über <http://www.mediayou.net/>. Wählen Sie my mediaU-Mitgliedschaft aus. Webseite für das Einloggen;

Geben Sie die Drahtlos-MAC-Adresse des Radios auf der mediaU-Webseite ein. Die MAC-Adresse finden Sie unter Information Center (Informationszentrum) > System Information (Systeminformationen) > Wireless Info (WiFi-Infos);

Nach der erfolgreichen Konfiguration können Sie Ihre mediaU-Radiosender-Wiedergabeliste(n) ansehen und speichern. Für den Radiozugriff ist weder ein Benutzername noch ein Passwort erforderlich.

Haben Sie im Radio mehrere Konten gespeichert, können Sie im Configuration Menu (Konfigurationsmenü) das Konto auswählen, welches Sie verwenden möchten. Auf der Webseite können Sie Radiosender unter Favorite Station (Bevorzugte Radiosender) speichern, Sie können Favorite Location/Genre (Bevorzugter Ort/Bevorzugtes Genre) sowie My Local City (Meine lokale Stadt) festlegen oder aber auch Radiosender manuell hinzufügen. Die Radiosender können im My Media-Modus (mediaU-Modus) des Radios angezeigt werden.

7. Informationszentrum

Wetter

Es sind Wetterinformationen und Wettervorhersagen für 2000 Städte verfügbar.

Wählen Sie zuerst ein Land und danach eine Stadt für die Wetterinformationen aus.

Drehen Sie den Navigate/OK-Knopf, um die Wettervorhersage für die nächsten Tage zu empfangen.

Das Gerät kann Wetterinformationen auch im Standby-Modus anzeigen. Drücken Sie auf der Wetterinformationsseite OK und wählen Sie dann aus, dass die Wetterinformationen im Standby-Modus angezeigt werden sollen. Bestätigen Sie anschließend Ihre Auswahl mit OK.

Wirtschaftsinfo

Anzeige des Aktienindexes

Systeminformation

Anzeige detaillierter Infos über das Gerät und das verbundene Netzwerk. Es wird ebenfalls die MAC-Adresse angezeigt, die für die Registrierung einer My mediaU-Mitgliedschaft notwendig ist.

8. KONFIGURATION

Zeitanzeige

Analog/Digital

My mediaU

Wenn es aktiviert wurde, wird „My mediaU“ (Mein mediaU) im Hauptmenü angezeigt. Wenn im Radio verschiedene mediaU-Konten vorhanden sind, wählen Sie hier das Standard-Anmeldekonto aus.

Netzwerk

Funknetzwerkconfiguration: Aktivieren/Deaktivieren des Funknetzwerkes. Wenn Sie WLAN aktivieren, wählt das System automatisch den erforderlichen AP aus. Geben Sie das WEP- bzw. WPA-Passwort ein, um sich mit dem Funknetzwerk zu verbinden.

Funknetzwerk (WPS-PBC): Wenn Sie einen Router mit WPS/QSS-Taste besitzen, können Sie Ihre Netzwerkverbindung einfach mittels dieser WPS-Funktion konfigurieren. Bestätigen und drücken Sie innerhalb von 120 Sekunden die WPS/QSS-Taste Ihres Routers. Daraufhin wird die Verbindung zwischen Router und Music Link automatisch konfiguriert.

Manuelle Konfiguration: Sie können zwischen DHCP (automatische IP-Adresszuweisung) oder manueller Eingabe der IP-Adresse für Ihr Funknetzwerk auswählen. Wenn Sie manuelle Einstellung für kabelgebundene Verbindungen auswählen, müssen folgende Daten eingegeben werden: SSID (Name des Zugriffspunktes), IP Address (IP-Adresse), Subnet Mask (Netzwerkmaske), Default Gateway (Standardgateway), preferred DNS Server (primärer DNS-Server), alternate DNS Server (sekundärer DNS-Server).

Netzwerksuche beim Einschalten: Aktivieren/Deaktivieren des Funknetzwerkes. Wenn Sie WiFi Network (Funknetzwerke) aktiviert haben, dann sucht das System automatisch nach verfügbaren Funknetzwerken. Wählen Sie anschließend das gewünschte Funknetzwerk aus.

Datum und Zeit

Einstellen des Datums und der Zeit

Stellen Sie die Anzeige auf 12 Hour (12 Stunden-) oder 24 Hour (24 Stunden)

Stellen Sie das Datumsformat ein

(YYYY/MM/DD – DD/MM/YYYY – MM/DD/YYYY)

Wecker	<p>Das Gerät besitzt drei voneinander unabhängige Wecker – 2 Wecker für eine absolute Weckzeiteinstellung (Alarm 1 und Alarm 2 (Wecker 1 und 2)) und 1 Wecker für eine relative Weckzeiteinstellung (Alarm NAP (Kurzschlafwecker)).</p> <p>Beachten Sie, dass der voreingestellte Internet-Radiosender als Weckalarmquelle verwendet wird, wenn der Weckton auf Internet-Radio eingestellt wurde. Es kann nur der gleiche Internet-Radiosender für Wecker 1 und Wecker 2 eingestellt werden. Wenn die Weckzeit erreicht wurde und Internet verfügbar ist, dann verbindet sich das Gerät mit dem Internet. Deshalb kann es zu einer Verzögerung zwischen Weckzeit und Radiowiedergabe kommen. Wenn innerhalb einer Minute keine Netzwerkverbindung aufgebaut werden kann, dann wechselt der Wecksound automatisch auf Melody (Melodie).</p> <p>Wenn Sie den Wecker „NAP“ (Kurzschlaf) eingestellt haben, dann ertönt der Wecksound entsprechend Ihrer Einstellung einmal in 5/10/20/30/60/90/120 Minuten.</p> <p>Über Alarm Volume (Wecksoundlautstärke) können Sie die gewünschte Lautstärke des Weckers konfigurieren.</p>
Timer für die geplante Wiedergabe	<p>Timer, der die Zeit herunterzählt (max. 100 min)</p> <p>Wenn Sie On (Ein) auswählen, dann können Sie eine geplante Wiedergabezeit sowie die Frequenz eingeben.</p> <p>Wenn Sie die Einstellung der geplanten Wiedergabe beendet haben und danach den Radiosender ändern, dann wird die geplante Wiedergabe annulliert.</p>
Sprache	<p>English/Deutsch/Spanisch/Französisch/Portugiesisch/Holländisch/Italienisch/Russisch/Schwedisch/Norwegisch/Dänisch/Ungarisch/Tschechisch/Slowakisch/Polnisch/Türkisch/Finnisch</p>
Helligkeitsregler	<p>Energiesparen/Einschalten</p>
Anzeige	<p>Color (Farbe)/Monochrome</p>
Energieverwaltung	<p>Konfiguriert den automatischen Wechsel in den Standby-Modus. Stellen Sie hier die Zeitdauer (5/15/30Minuten) ein, nach der das Radio automatisch in den Standby-Mode wechselt, wenn Sie es nicht bedienen. Wählen Sie „Turn off“ („Ausschalten“), um die Energiesparfunktion zu deaktivieren.</p>
Einschlafautomatik	<p>Ausschalten oder Einstellen der Einschlafautomatik auf 15/30/60/90/120/150/180 Minuten. Wenn Sie die Einschlafautomatik aktiviert haben, erscheint in der oberen rechten Ecke ein Bettsymbol mit der Anzeige der noch verbleibenden Zeit, bis das Gerät in den Standby-Modus wechselt.</p>
Puffer	<p>Stellen Sie hier die Pufferzeit (2/4/8 s) für die Musikwiedergabe ein.</p>
Wetter	<p>Aktiviert/Deaktiviert die Wettervorhersage für die Standby-Anzeige. Wählen Sie die gewünschte Temperatureinheit (°F oder °C) und fahren Sie dann mit der Eingabe Ihres Standorts fort. Wenn Sie die Wettervorhersage aktiviert haben, dann wechseln sich im Standby-Modus die Anzeige der Uhrzeit und die der Wettervorhersage ab (alle 10 Sekunden).</p>

Einstellungen Lokalradio

Unter Internet-Radio ist eine Verknüpfung „Local Radio“ (Lokale Radiosender) vorhanden, sodass Sie leicht zur Senderliste Ihres Standorts wechseln können. Sie können Ihren Standort manuell einrichten oder lassen Sie das System Ihre aktuelle Position automatisch bestimmen. Das System ermittelt Ihre Position gemäß der IP-Adresse Ihres Einwahlnetzwerkes. Drücken Sie für die Direktwahl der lokalen Radiosenderliste Local Station (lokale Radiosender).

Die Option FM (IR) und DAB (IR) (Anhören lokaler FM/DAB-Radiokanäle über das Internet)

Sie müssen zuerst die Funktion FM (IR) (FM-Internetradio) und DAB (IR) (DAB-Internetradio) aktivieren, bevor Sie die Option FM (IR) (FM-Internetradio) und DAB (IR) (DAB-Internetradio) aktivieren können.

Drücken Sie hierfür die Taste „Menu“ und wählen Sie dann „Configuration“ (Konfiguration) und anschließend „Local Radio Setup“ (Einstellung lokales Radio) aus. Wählen Sie nun FM (IR) (FM-Internetradio) aus und bestätigen Sie anschließend durch Drücken der Taste „OK“ Ihre Auswahl.

Wählen Sie jetzt „Enable“ (Aktivieren) aus und drücken Sie die Taste „OK“ erneut.

Wiederholen Sie die vorstehend beschriebene Prozedur für die Option DAB (IR) (DAB-Internetradio), wenn Sie DAB-Radiokanäle über das Internet anhören möchten.

Wenn Sie FM (IR) (FM-Internetradio) und/oder DAB (IR) (DAB-Internetradio) aktivieren, dann müssen Sie Ihren Standort einstellen.

Wählen Sie hierfür zuerst „local Radio setup“ (Einstellung lokales Radio), danach „set location“ (Standort einstellen) und anschließend „Manual Setup (City)“ (Manuelle Einstellung (Stadt)) aus. Bestätigen Sie jeweils mit „OK“.

Wenn Sie sich beispielsweise in Berlin befinden, dann wählen Sie zuerst Europe (Europa) aus und bestätigen Sie anschließend Ihre Auswahl durch Drücken der Taste „OK“.

Wählen Sie nun Germany (Deutschland) aus und bestätigen Sie Ihre Auswahl wieder durch Drücken der Taste „OK“.

Wählen Sie jetzt Berlin aus und bestätigen Sie Ihre Auswahl erneut durch Drücken der Taste „OK“.

Wählen Sie Berlin erneut aus und bestätigen Sie Ihre Auswahl wiederum durch Drücken der Taste „OK“.

Jetzt erscheint die Mitteilung „Save as Local Radio“ (Als lokales Radio speichern). Drücken Sie „OK“, um die Einstellungen zu beenden.

Jetzt wechselt die Anzeige und es erscheint auf dem Display:

DAB (IR) – Berlin und FM (IR) – Berlin (DAB-Internetradio – Berlin und FM-Internetradio – Berlin). Jetzt können Sie durch Auswahl von DAB(IR) – Berlin (DAB-Internetradio – Berlin) DAB-Radiokanäle auswählen. Drücken Sie anschließend die Taste „OK“. Daraufhin erscheint eine Liste mit DAB-Radiokanälen von Berlin. Wählen Sie hier

den gewünschten Radiokanal aus und drücken Sie anschließend die Taste „OK“, um diesen Radiokanal anzuhören.

Auf der Hauptmenüoberfläche wird jetzt ein DAB (IR)- und ein FM (IR)-Symbol angezeigt, damit Sie schnell einen anderen DAB- oder FM-Radiokanal einstellen können.

Anmerkung:

- Wenn Sie keinen Standort einstellen, dann ist die Kanalliste leer, wenn Sie FM (IR) oder DAB (IR) (FM-Internetradio oder DAB-Internetradio) auswählen.
- Für FM (IR)-Radiosender (FM-Internetradiosender) müssen Sie Ihre CITY (STADT) manuell auswählen. Das FM-Internetradio steht nicht zur Verfügung, wenn Sie nur Ihr Land auswählen oder Ihren Standort automatisch erkennen lassen.
- Nicht alle FM/DAB-Radiosender einer jeden Stadt sind verfügbar, aber die Datenbank wird permanent aktualisiert.

Wiedergabeeinstellungen	Wählen Sie den Wiedergabemodus Ihres Mediacenters – Off (Aus) (kein wiederholen oder Mischen), Repeat all (alles wiederholen), Repeat one (aktuellen Titel wiederholen) oder Shuffle (Mischen der Titel).
Gerät	Der Standardname für DLNA lautet „AirMusic“. Sie können ihn für die DLNA-Einrichtung auf dem PC oder mobilen Gerät umbenennen. Verwenden Sie den QR-Code zum Herunterladen und Installieren der Steuerungs-App „AirMusic“.
Equalizer	Die Standard-Equalizer-Einstellung ist „Normal“. Sie können sie auf „Flat“, „Jazz“, „Rock“, „Soundtracks“, „Classical“, „Pop“ oder „News MY EQ“ (Flach, Jazz, Rock, Tonspuren, Klassik, Pop oder Nachrichten MEIN EQ) ändern.
Fortsetzen, wenn eingeschaltet	Das System stellt standardmäßig die Internetradiowiedergabe wieder her, wenn Sie vor dem Ausschalten Internetradio oder über das Mediacenter Musik gehört haben. Wenn Sie diese Option deaktivieren, dann startet das System im Hauptmenü, wenn Sie das Gerät wieder einschalten.
Softwareaktualisierung	Softwareupdate. Das System wird Sie informieren, wenn eine aktualisierte Softwareversion auf dem Server verfügbar ist. Schließen Sie das Gerät an eine stabile Stromversorgung an, bevor Sie mit der Softwareaktualisierung beginnen. Die Trennung vom Stromnetz kann während einer Softwareaktualisierung zur dauerhaften Beschädigung des Geräts führen.
Zurücksetzen auf Werkseinstellung	Standardeinstellungen wiederherstellen. Nach dem Rücksetzen des Geräts wechselt das System zur Sprachauswahl.

9. DLNA/UPnP

Sie können den Standard-DLNA-Namen in einen beliebigen Namen Ihrer Wahl ändern.

Nachfolgend sehen Sie eine Anleitung, wie Sie das Streamen von Medien vom PC oder anderen Medienservern einstellen. Schlagen Sie bei Bedarf in der Anleitung der Software bzw. der App nach, die Sie für das Streamen von Musik verwenden. Die Musikdateien für das Streamen von Musik zum Radio müssen in einem der Formate MP3, WHA, WAV oder AAC vorliegen.

UPnP

Verbinden Sie Ihren PC mit dem Netzwerk.

Das Radio muss eingeschaltet und mit demselben Netzwerk verbunden sein.

Öffnen Sie die UPnP-Oberfläche Ihres Windows Media Player (ab Version 11). Alternativ können Sie auch andere Plattformen oder Server als die Windows Media Connection verwendet.

Geben Sie Ihre Medien für das Streamen zum Radio frei.

Fügen Sie die Audiodateien und Verzeichnisse, die Sie mit dem Radio zusammen verwenden möchten, der Medienbibliothek hinzu.

Sie können auch Musik von anderen Musikservern wie dem Smartphone (Android-OS) streamen

Verbinden Sie Ihr Mobilgerät mit dem Netzwerk

Suchen Sie auf Google Play Mediensharing-Apps und installieren Sie eine von ihnen.

Fügen Sie die Audiodateien Ihres Mobilgerätes hinzu, welche Sie gemeinsam nutzen möchten.

Wählen Sie nach der Einstellung des Servers für das Sharing die Musik aus und steuern Sie die Wiedergabe über das Radio.

DLNA

Neben UPnP unterstützt das Radio auch die DLNA-Funktion, mit der Sie Musikdateien vom PC oder von Android-Mobilgeräten freigeben und Ihren PC, Ihr Android-Mobilgerät oder Ihr iPhone/iPad für die Steuerung der Musikwiedergabe über das Radio verwenden können. (Es ist nicht für jede Wiedergabesteuerung auf dem Radio erforderlich.)

Die Systemmindestanforderungen an das Computersystem für DLNA sind Windows 7 und die Ausführung des Windows Media Player 12 Setups wie nachstehend beschrieben: Geben Sie zuerst die Medien auf Ihrem PC für das Radio frei.

Control Panel (Systemsteuerung) > Network and Internet(Netzwerk und Internet) > Network and Sharing Center (Netzwerk und Freigabecenter) > Change advanced sharing settings (Erweiterte Freigabeeinstellungen ändern) > Media streaming options (Medienstreamingoptionen)

Starten Sie den Windows Media Player und aktivieren Sie Allow remote control of my Player (Die Remotekontrolle des Players erlauben).

Wählen Sie mit einem Rechtsklick die Musik in der Medienbibliothek und anschließend Play to Radio (über das Radio wiedergeben) aus.

Es erscheint ein Fenster für die Steuerung der Musikwiedergabe über das Radio.

Wenn Sie ein Android-Mobilgerät, Tablet-PC oder iPhone/iPad benutzen, können Sie freie oder kostenpflichtige DLNA-Apps auf Google Play oder Apple Store suchen und von dort aus auch installieren. Es ist empfehlenswert, auf Android-Mobilgeräten und Tablet-PCs bubble UPnP oder Twonky Beam und auf iPhone/iPad Twonky Beam zu verwenden. Möglicherweise unterstützen nicht alle APPs das Musikstreaming vom iPhone/iPod, aber Sie können Ihr iPhone/iPod auch zur Kontrolle des Musikstreamings von anderen Servern verwenden.

Die Schritte für die Wiedergabe freigegebener Musik über die App sind folgende:

Wählen Sie das Radio als Musikwiedergabegerät aus. Einige APPs erlauben die gleichzeitige Wiedergabe der Musik auf verschiedenen Musikwiedergabegeräten.

Wählen Sie den Musikserver und anschließend die Musik aus. Einige Apps können eine Wiedergabeliste erstellen, wenn Sie mehrere Titel auswählen.

Bitte beachten Sie: Wenn Sie beim Internetradio die DLNA-Musikstreamingfunktion benutzen, dann können Sie über das Gerät nur die Lautstärke regeln und das Standby steuern. Die Bedienung anderer Funktionen ist unzulässig. Sobald Sie DLNA auf dem PC, Mobilgerät oder Tablet-PC beenden, haben Sie wieder die volle Kontrolle über Ihr Internetradio.

10. AUX (Line-In)

Für die Audiowiedergabe von einer externen Quelle wie einem MP3-Player.

Für die Audiowiedergabe im AUX IN-Modus:

Drehen Sie die Lautstärke am Radio und wenn möglich auch am Audiogerät herunter.

Verbinden Sie die externe Audioquelle mit der 3,5 mm Klinken-AUX IN-Buchse.

Wählen Sie im Hauptmenü AUX IN (AUX-Eingang) aus.

Stellen Sie bei Bedarf die Lautstärke des Radios (und wenn notwendig an der Audioquelle) ein.

11. Benutzung des Kopfhörerausgangs

Stecken Sie den 3,5-mm-Klinkenstecker Ihres Kopfhörers in die Kopfhörerausgangsbuchse auf der Geräterückseite. Stellen Sie mit Hilfe des Lautstärkereglers den gewünschten Lautstärkepegel ein.

12. Technische Daten

Netzwerk	802.11b/g/n (WLAN) Verschlüsselung: WEP, WPA, WPA 2(PSK), WPS
Streaming	UPnP, DLNA
Unterstützte Dateitypen	WMA, MP3,
Anschlüsse	Netzteileingang, 3,5-mm-AUX-Eingang, 3,5-mm-Kopfhörerausgang
Eingangsspannung	100 – 240 V~, 50/60 Hz, max. 0,2 A
Ausgang	5 V/1 A
Leistungsaufnahme	5 W
Leistungsaufnahme (Standby)	< 1 W
Betriebstemperatur	0 °C – 35 °C
Betriebslage	Horizontal
Netzteil: (Nur für EU)	
	Hersteller: Shenzhen Adition Audio Science and Technology Co., Ltd
	Modellnummer: AD0600501000EU
	Verwenden Sie nur den originalen AC-Adapter
	Verwenden Sie nur die im Handbuch angegebene Stromversorgung.
Geräteabmessung	180 x 61 x 109 mm (B x T x H)
Gewicht	304 g

13. Garantie

Lenco bietet Leistungen und Garantien im Einklang mit Europäischem Recht. Im Falle von Reparaturen (sowohl während als auch nach Ablauf der Garantiezeit) sollten Sie deshalb Ihren Einzelhändler kontaktieren.

Wichtiger Hinweis: Es ist nicht möglich, Produkte für Reparaturen direkt an Lenco zu schicken.

Wichtiger Hinweis: Wenn dieses Gerät für welchen Grund auch immer durch ein nicht offizielles Service-Center geöffnet wurde oder durch dieses Service-Center darauf zugegriffen wurde, erlischt die Garantie.

Dieses Gerät ist nicht für professionelle Zwecke geeignet. Falls das Gerät für professionelle Zwecke eingesetzt wird, erlöschen alle Garantieverpflichtungen seitens des Herstellers.

14. Haftungsausschluss

Aktualisierungen der Firmware und/oder Hardware-Komponenten werden regelmäßig durchgeführt. Aus diesem Grund können einige der Anleitungen, Spezifikationen und Abbildungen in dieser Dokumentation zu dem Ihnen vorliegendem Gerät leicht abweichen. Alle in diesem Handbuch beschriebenen Elemente dienen nur zur Illustration und treffen auf Ihre individuelle Situation möglicherweise nicht zu. Aus der in diesem Handbuch getätigten Beschreibung können keine Rechtsansprüche oder Leistungsanforderungen geltend gemacht werden.

15. Entsorgung des Altgeräts



Dieses Symbol zeigt an, dass das entsprechende Produkt oder dessen Akku/Batterie in Europa nicht mit dem normalen Hausmüll entsorgt werden darf. Um die ordnungsgemäße Abfallbehandlung des Produkts und dessen Akku/Batterie zu gewährleisten, müssen diese im Einklang mit allen anwendbaren örtlichen Vorschriften zur Entsorgung von Elektrogeräten und Akkus/Batterien entsorgt werden. Dabei helfen Sie, natürliche Ressourcen zu schonen und Umweltschutzstandards zur Verwertung und Entsorgung von Altgeräten aufrecht zu halten (Richtlinie über Entsorgung Elektrischer und Elektronischer Altgeräte).

16. CE-Kennzeichen

Hiermit erklärt Lenco Benelux B.V., Thermiekstraat 1a, 6361 HB Nuth, The Netherlands, dass dieses Produkt den grundsätzlichen Anforderungen der EU-Richtlinie entspricht.

Die Konformitätserklärung kann unter folgendem Link abgerufen werden:

techdoc@commaxxgroup.com



17. Service

Besuchen Sie bitte für weitere Informationen und unseren Kundendienst unsere Homepage

www.lenco.com

Lenco Benelux BV, Thermiekstraat 1a, 6361 HB, Die Niederlande.

ATTENTION :

L'utilisation de commandes ou de réglages ou l'exécution de procédures autres que ceux spécifiés dans ce manuel peut entraîner une exposition à des rayonnements dangereux.

Cet appareil ne doit pas être réglé ou réparé par quiconque d'autre que du personnel qualifié.

PRÉCAUTIONS AVANT UTILISATION

GARDEZ CES INSTRUCTIONS À L'ESPRIT :

1. N'utilisez pas cet appareil près de l'eau.
2. Nettoyez-le uniquement avec un chiffon doux légèrement humide.
3. Ne couvrez pas et n'obturez pas les ouvertures de ventilation. Lorsque vous placez l'appareil sur une étagère, laissez 5 cm (2") d'espace libre tout autour de l'appareil.
4. Installez-le conformément au mode d'emploi fourni.
5. * Ne marchez pas sur l'adaptateur secteur ou ne le coincez pas. Faites très attention, en particulier près des fiches et du point de sortie du câble. Ne placez pas d'objets lourds sur l'adaptateur secteur, car ils pourraient l'endommager. Gardez l'appareil hors de portée des enfants ! Ils pourraient se blesser gravement s'ils jouent avec le câble d'alimentation.
6. * Débranchez cet appareil pendant les orages ou lorsqu'il n'est pas utilisé pendant une longue durée.
7. Gardez l'appareil à l'écart des sources de chaleur telles que des radiateurs, chauffages, fours, bougies et autres produits générant de la chaleur ou une flamme nue.
8. Évitez d'utiliser l'appareil à proximité de champs magnétiques puissants.
9. Des décharges électrostatiques peuvent perturber le fonctionnement normal de cet appareil. Quand cela se produit, il suffit de réinitialiser et de redémarrer l'appareil en suivant le mode d'emploi. Pendant le transfert de fichiers, manipulez l'appareil avec précaution et faites-le fonctionner dans un environnement sans électricité statique.
10. Mise en garde ! N'introduisez jamais un objet dans l'appareil par les ouvertures et les fentes de ventilation. Étant donné que des tensions élevées sont présentes à l'intérieur du produit, l'insertion d'un objet peut entraîner une électrocution et/ou court-circuiter les composants internes. Pour les mêmes raisons, ne versez pas de l'eau ou un liquide sur le produit.
11. Ne l'utilisez pas dans des endroits humides tels qu'une salle de bain, une cuisine pleine de vapeur ou à proximité d'une piscine.
12. N'utilisez pas cet appareil lorsque de la condensation est possible.
13. Bien que ce dispositif soit fabriqué avec le plus grand soin et contrôlé à plusieurs reprises avant de quitter l'usine, il est toujours possible que des problèmes se produisent, comme avec tous les appareils électriques. Si l'appareil émet de la fumée ou s'il y a une accumulation de chaleur excessive ou un phénomène inattendu, débranchez immédiatement la fiche d'alimentation du secteur.
14. Cet appareil doit fonctionner avec la source d'alimentation indiquée sur la plaque signalétique. Si vous n'êtes pas sûr du type d'alimentation utilisé chez vous, consultez votre revendeur ou le fournisseur d'électricité local.
15. * La prise secteur doit être installée près de l'appareil et doit être facilement accessible.
16. * Ne surchargez pas les prises de courant ou les rallonges. Une surcharge peut entraîner un incendie ou une électrocution.
17. * Les appareils à la norme de construction de classe 1 doivent être branchés à une prise de courant disposant d'une connexion protectrice à la terre.
18. * Les appareils à la norme de construction de classe 2 ne nécessitent pas de connexion à la terre.
19. Tenez-le à l'abri des rongeurs. Les rongeurs adorent mordre les cordons d'alimentation.
20. * Tirez toujours sur la fiche pour débrancher le cordon de la prise secteur. Ne tirez pas sur le cordon d'alimentation. Cela pourrait provoquer un court-circuit.
21. Évitez de placer l'appareil sur des surfaces sujettes aux vibrations ou aux chocs.

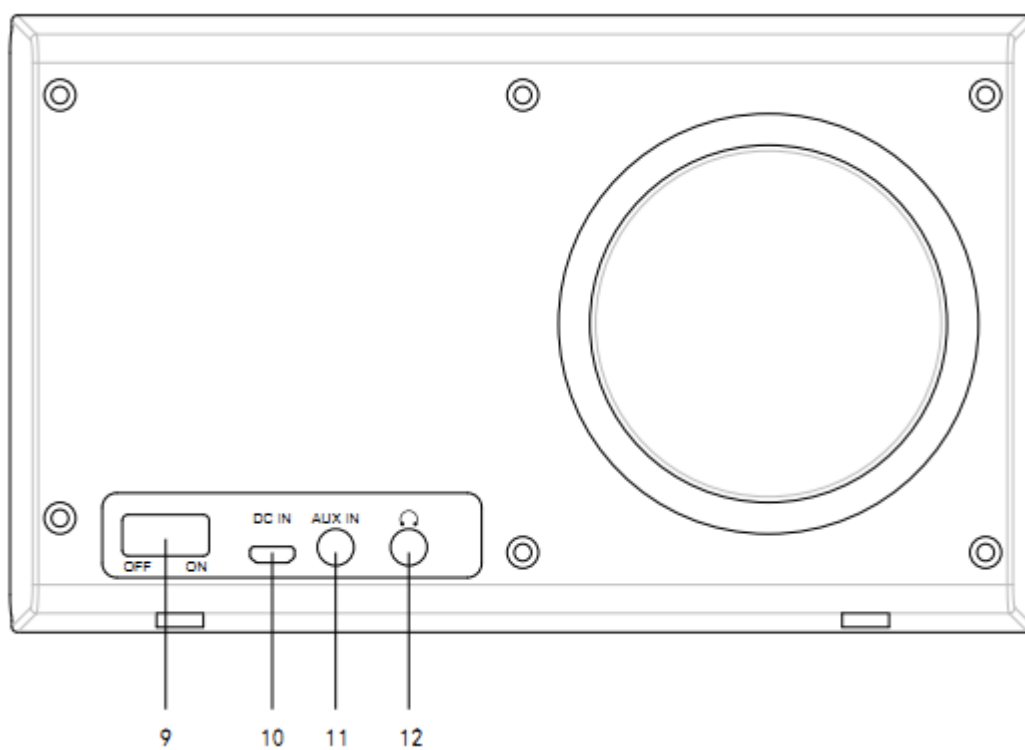
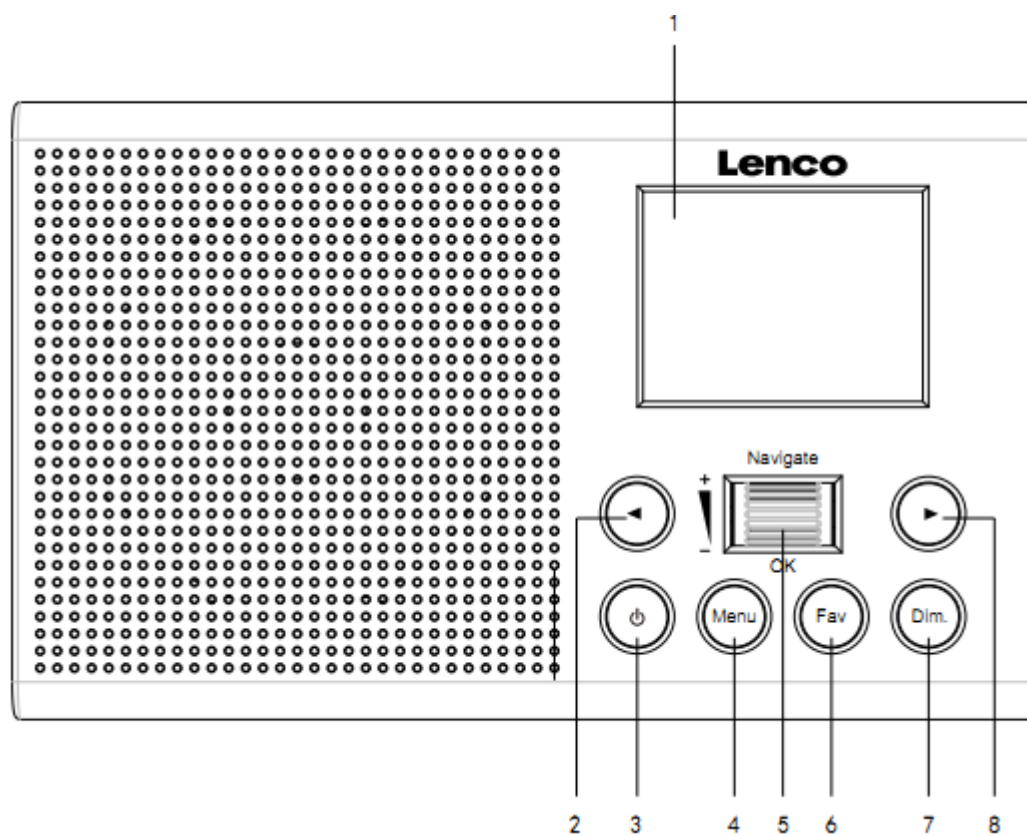
22. Pour nettoyer l'appareil, servez-vous d'un chiffon doux et sec. N'utilisez pas de solvant ni d'autre liquide à base de pétrole. Pour enlever les taches importantes, vous pouvez vous servir d'un chiffon humide imbibé d'une solution de détergent diluée.
23. Le fournisseur n'est pas responsable des dommages ou pertes de données causés par un dysfonctionnement, une utilisation abusive, une modification de l'appareil ou un remplacement de la batterie.
24. N'interrompez pas la connexion lorsque l'appareil formate ou transfère des fichiers. Sinon, les données pourraient être endommagées ou perdues.
25. Si l'appareil a une fonction de lecture USB, il faut brancher la clé USB directement sur l'appareil. N'utilisez pas de rallonge USB, car cela peut causer des interférences provoquant une perte de données.
26. L'appareil ne doit pas être exposé à des écoulements ou des éclaboussures et aucun objet contenant un liquide, tel qu'un vase, ne doit être posé sur ou près de l'appareil.
27. * Pour que l'alimentation soit parfaitement déconnectée, la fiche d'alimentation de l'appareil doit être débranchée de la prise secteur.
28. Si l'appareil a la possibilité de fonctionner sur batterie, n'exposez pas la batterie à une chaleur extrême telle que les rayons du soleil, le feu ou toute autre chaleur.
29. Veuillez considérer les questions environnementales lors de la mise au rebut des piles.
30. L'appareil doit être utilisé uniquement dans des conditions climatiques modérées, évitez un environnement extrêmement froid ou chaud.
31. La plaque signalétique se situe en dessous ou à l'arrière de l'appareil.
32. Cet appareil n'est pas destiné à être utilisé par des personnes (enfants compris) souffrant de handicaps physiques, sensoriels ou mentaux, ou manquant d'expérience et de connaissances, sauf si elles sont sous surveillance ou ont reçu des instructions sur l'utilisation correcte de l'appareil par la personne qui est responsable de leur sécurité.
33. Ce produit est réservé à un usage non professionnel, et non pas à un usage commercial ni industriel.
34. Vérifiez que l'appareil est en position stable. La garantie ne couvre pas les dégâts occasionnés par l'utilisation de cet appareil en position instable ou par la non-observation de tout autre avertissement ou précaution contenus dans ce mode d'emploi.
35. Ne retirez jamais le boîtier de l'appareil.
36. Ne placez jamais cet appareil sur un autre appareil électrique.
37. N'utilisez et ne rangez pas ce produit dans un endroit ensoleillé, chaud, très poussiéreux ou soumis à des vibrations excessives.
38. Ne laissez pas les sacs en plastique à la portée des enfants.
39. Utilisez uniquement les accessoires recommandés par le fabricant.
40. Confiez l'entretien et les réparations à un personnel qualifié. Une réparation est nécessaire lorsque l'appareil a été endommagé de quelque façon que ce soit, par exemple lorsque le cordon d'alimentation ou la prise sont endommagés, lorsqu'un liquide a été renversé ou des objets ont été introduits dans l'appareil, lorsque l'appareil a été exposé à la pluie ou à l'humidité, lorsqu'il ne fonctionne pas correctement ou lorsque l'appareil est tombé.
41. * N'utilisez pas un cordon ou une fiche d'alimentation endommagé ni une prise desserrée. Vous risqueriez de causer un incendie ou une décharge électrique.
42. Une exposition prolongée aux sons puissants des lecteurs personnels de musique peut entraîner une perte temporaire ou définitive de l'ouïe.

INSTALLATION

- Déballez toutes les pièces et enlevez le matériau de protection.
- * Ne connectez pas l'unité au secteur avant d'avoir vérifié la tension du secteur et avant d'avoir effectué toutes les autres connexions.

*** Ces instructions s'appliquent uniquement aux produits utilisant un câble d'alimentation ou un adaptateur secteur.**

1. Présentation du produit



1. Affichage
2. Gau.
3. Mise en veille
4. Menu
5. Vol/Nav/Ok/Parcourir Appui=Sélection
6. Fav
7. Gradateur de lumière
8. Droit
9. Marche/Arrêt
10. ENTRÉE CC
11. Entrée auxiliaire (3,5 mm)
12. Sortie casque (3,5 mm)

2. PREMIÈRE UTILISATION

Avant utilisation, vérifiez que la TENSION mentionnée sur l'étiquette de l'alimentation correspond à celle de votre secteur.

Utilisez l'adaptateur d'alimentation fourni pour brancher l'appareil à une prise secteur.

Mettez en marche l'appareil grâce à l'interrupteur d'alimentation à l'arrière.

Lorsque vous utilisez l'appareil pour la première fois, le système vous demandera de configurer la langue et le réseau. Vous pouvez configurer la connexion réseau immédiatement ou ultérieurement. Utilisez la molette Navigate pour sélectionner l'option souhaitée. Appuyez sur la molette « Navigate/OK » pour confirmer.


Quand l'appareil est en marche, appuyez sur le bouton Standby pour mettre l'appareil en veille. Rappuyez dessus pour le rallumer.


3. Configuration de réseau

1. Configuration de réseau normale

Sélectionnez « Yes » (Oui) pour la configuration de réseau sans fil normale : Ensuite, sélectionnez l'AP requise en tournant « Navigate » et validez en appuyant sur « Navigate/OK ».

Saisissez le code WEP ou WPA pour connecter le réseau WiFi en sélectionnant le bon caractère en tournant le bouton « Navigate/OK ».

Appuyez sur le bouton  pour sélectionner le caractère suivant.

Dans cette condition, appuyez sur le bouton  pour aller à gauche et supprimer les caractères à gauche en même temps :

Quand le mot de passe est terminé, appuyez sur le bouton « Navigate/OK » pour valider.

Remarque : Les caractères ci-dessous sont disponibles pour la radio :

Chiffres (de 0 à 9)

Lettres anglaises (de A à Z et de a à z)

Autres caractères (DEL, @, espace, !, " ,# , \$, % , & , * , ' , + et (,)

2. Configuration de réseau WPS PBC

Sélectionnez « Yes WPS » (Oui WPS) si vous voulez configurer la fonctionnalité de réseau sans fil (WPS PBC) : Si vous utilisez un routeur avec le bouton WPS, vous pouvez configurer simplement la connexion réseau grâce à la fonction WPS. Pour y accéder, appuyez sur le bouton WPS de votre routeur dans les 120 secondes.

La connexion entre le routeur et la radio se configurera ensuite automatiquement.

Sélectionnez « No » (Non) si vous ne souhaitez pas installer le réseau pour le moment.

3. Pas de configuration de réseau

Sélectionnez « No » (Non) si vous ne souhaitez pas configurer la connexion réseau pour le moment.

Appuyez sur « Veille » pour passer en veille. Lorsque la date et l'heure réelles sont affichées, la configuration du réseau est bien faite. La date et l'heure, ainsi que les alarmes (si activées) s'afficheront même en mode veille.

4. RADIO INTERNET

Sortez du mode veille et tournez Navigate pour faire défiler le menu d'accueil. Appuyez sur OK (pour accéder aux sous-menus ou confirmer les réglages)

Appuyez sur ◀ pour aller au menu précédent.

Une fois que la connexion à une station est établie, les informations sur la station s'affichent : vous pouvez changer le contenu des informations avec le bouton ◀ ou ▶ .

Mes favoris

Liste de mes stations pré-réglées favorites. Cela prend en charge 250 entrées favorites incluant les stations et dossiers. Sur l'écran de lecture des stations, maintenez enfoncée la touche Fav de l'appareil pour enregistrer la station dans mes favoris. Vous pouvez remplacer la station sauvegardée précédente par la nouvelle.

Si la station sélectionnée a été enregistrée, vous ne pouvez pas l'enregistrer à nouveau. Les stations enregistrées figurent dans ce menu. Vous pouvez également appuyer sur Fav pour accéder à la liste des stations sauvegardées.

Dans la liste des stations pré-réglées, accédez à votre station. appuyez sur le bouton OK de l'appareil pour l'écouter.

Station radio/Musique

Les stations sont classées en Global Top 20 mondial, Genre et Pays/lieu (Afrique, Asie, Europe, Moyen-Orient, Amérique du Nord, Océanie/Pacifique et Amérique du Sud). Accédez-y pour explorer les sous-catégories et choisissez la station à écouter.

Pour chaque station, appuyez sur le bouton OK de l'appareil pour l'écouter directement.

Radio locale :

Les stations sont triées selon le pays/lieu où l'appareil est utilisé.

Radio de sommeil

Vous pouvez choisir Birds (Oiseaux), Lullaby (Berceuse), Piano, Rain (Pluie), Spa, Space (Espace), Wave (Vagues), White Noise (Bruit blanc) comme son pour vous endormir.

Historique :

Liste des dix stations écoutées récemment.

Service :

Recherche de stations de radio : saisissez votre mot-clé pour rechercher une station de radio dans la liste.

Ajoutez une nouvelle station de radio en ajoutant une adresse IP, les stations ajoutées seront enregistrées dans Mes favoris.

Le nom de la station ne peut pas dépasser 250 caractères.

5. Centre multimédia

Sélectionnez le mode UPnP ou le mode liste de lecture avec la molette Navigate/OK.

UPnP

Si vous avez configuré des médias partagés, vous devriez voir les médias partagés à partir de UPnP.

Si vous avez plusieurs ordinateurs partageant des médias, les alternatives sont évoquées.

Sélectionnez les médias partagés à lire.

Remarque : La radio ne peut lire que le morceau dont le nom de fichier est inférieur à 40 caractères. Les caractères doivent être latins. Si vous rencontrez des problèmes de lecture avec une piste en mode UPnP, essayez de renommer le fichier. Cependant, si la piste est toujours illisible, essayez de convertir le fichier en différents formats.

Ma liste de lecture :

Vous pouvez créer une liste de lecture de votre musique préférée à partir d'UPnP. Lorsque vous écoutez de la musique, maintenez enfoncé le bouton OK de l'appareil pour l'enregistrer dans My Playlist (Ma liste de lecture).

Supprimer ma liste de lecture

Veillez sélectionner l'option YES (OUI) pour effacer la liste de lecture.

6. My media U

Affiche et lit votre liste de stations mediaU sur le serveur mediaU. Configurez d'abord votre compte. Pour activer votre propre liste de stations, suivez les étapes ci-dessous :

Accédez à <http://www.mediayou.net/>. Inscrivez-vous sur mediaU. Connectez-vous sur le site Web.

Saisissez l'adresse MAC sans fil de la radio sur le site Web mediaU. Ces informations peuvent être obtenues dans information Center (Centre d'informations) > System information (Informations système) > Wireless Info (Informations réseau sans fil).

Une fois que la configuration est terminée, vous pouvez sauvegarder et consulter vos propres listes de lectures de stations mediaU. Il est inutile de saisir dans la radio le nom d'utilisateur et le mot de passe.

S'il y avait différents comptes enregistrés dans la radio, vous pouvez choisir celui que vous utilisez actuellement dans le menu Configuration. Sur le site Web, vous pouvez sauvegarder des stations dans Favorite Station (Station favorite), set Favorite Location/Genr (régler l'Emplacement favori/ le Genre) et My Local City (Ma ville locale), ou ajouter des stations manuellement. Les stations peuvent être visualisées en mode My Media sur la radio.

7. Centre d'informations

Météo

Il existe des informations et prévisions météorologiques pour 2 000 villes.

Sélectionnez le pays puis la ville pour les détails de la météo.

Tournez la molette Navigate/OK pour consulter les prévisions météorologiques des prochains jours.

L'appareil peut afficher les informations météorologiques en mode veille. Sur la page des informations météo, appuyez sur OK pour choisir la météo à afficher en mode veille, puis appuyez de nouveau sur OK pour confirmer.

Informations financières

Pour consulter les indices boursiers.

Informations système

Consultez le détail des unités et la connexion de réseau. Les informations incluent l'adresse MAC dont vous avez besoin pour vous inscrire sur my mediaU.

8. CONFIGURATION

Affichage de l'heure	Analogique/numérique
My MediaU	Quand cela est activé, My mediaU existe dans le menu d'accueil. Si plusieurs comptes mediaU existent dans la radio, sélectionnez le compte d'identification par défaut ici.
Réseau	<p>Configuration du réseau sans fil : Activez/désactivez le réseau WiFi. Si vous activez le réseau Wi-Fi, le système sélectionnera automatiquement l'AP requise. Saisissez le code WEP ou WPA pour connecter le Wi-Fi.</p> <p>Réseau sans fil (WPS PBC) : Si vous utilisez un routeur avec le bouton WPS/QSS, vous pouvez configurer simplement la connexion réseau grâce à la fonction WPS. Pour y accéder, appuyez sur le bouton WPS/QSS de votre routeur dans les 120 secondes. La connexion entre le routeur et Music Link sera ensuite configurée automatiquement.</p> <p>Configuration manuelle : Vous pouvez choisir DHCP (qui assigne l'IP automatiquement) ou saisir manuellement l'adresse IP pour une connexion de réseau sans fil. Lorsque vous sélectionnez le réglage manuel pour une connexion filaire, vous devrez introduire les informations suivantes : SSID (nom du point d'accès), adresse IP, masque de sous-réseau, passerelle par défaut, serveur DNS préféré et serveur DNS alternatif.</p> <p>Vérifier le réseau au démarrage : Activez/désactivez le réseau WiFi. Lorsque vous activerez le réseau Wi-Fi, le système recherchera automatiquement l'AP disponible. Sélectionnez l'AP requise.</p>
Date et heure	<p>Réglage de la date et de l'heure</p> <p>Réglez le format d'affichage de l'heure sous la forme 12 Hour (12 heures) ou 24 Hour (24 heures)</p> <p>Réglez le format de date (AAAA/MM/JJ-JJ/MM/AAAA-MM/JJ/AAAA)</p>
Réveil	<p>Il existe trois alarmes indépendantes -2 alarmes ayant un réglage d'heure absolue (Alarme 1 et Alarme 2) et 1 alarme pour un réglage d'heure relative (Alarme de NAP).</p> <p>Sachez que la source d'alarme provient de la radio internet pré-réglée si le son d'alarme est réglé sur radio internet. Vous pouvez régler seulement une station IR identique pour Alarme 1 et Alarme 2. Au moment de l'heure d'alarme, l'appareil se connecte à Internet si le réseau réglé est disponible. Il peut donc y avoir un certain délai avant que la radio définie pour l'alarme ne s'allume. Si la connexion au réseau n'est établie pas dans la minute, alors l'alarme passera automatiquement à Mélodie.</p> <p>Quand une alarme « NAP » est réglée, elle durera 5/10/20/30/60/90/120 minutes selon ce que vous avez réglé.</p> <p>Choisissez Alarm Volume (volume d'alarme) pour configurer le volume des alarmes.</p>

Écoute programmée	Compte à rebours (max. 100 min) Lorsque vous choisissez On (Activé), vous pouvez définir la durée et la fréquence de l'écoute programmée. Vous ne pouvez pas changer de station à la fin de l'écoute programmée sinon les réglages seront désactivés.
Langue	English/Deutsch/Espanol/Francais/Portugese/Nederlands/Italiano/Pyccknn/Svenska/Norske/Dansk/Magyar/Cesky/Slovensky/Polski/Turkce/Suomi
Gradateur de lumière	Économie d'énergie/Activation
Affichage	Couleur/monochrome
Gestion d'énergie	Configurez la mise en veille automatique pendant l'affichage du menu et/ou en l'absence de signal Wi-Fi. Choisissez le minuteur de gestion d'alimentation (5/15/30min) pour régler le délai de mise en veille automatique de la radio lorsque vous ne la commandez pas. Choisissez « Turn off » (désactiver) pour ignorer la fonction de gestion d'alimentation.
Sleep Timer (Minuteur de mise en veille)	Pour désactiver ou régler le minuteur de mise en veille sur 15/30/60/90/120/150/180 minutes. Une fois que l'heure est réglée, il y aura une icône de lit avec les minutes restantes en haut à droite et l'appareil passera en mode veille ensuite.
Mémoire tampon	Réglez la durée de mémoire tampon pour la lecture de musique sur 2/4/8 secondes.
Météo	Activez/désactivez les prévisions météorologiques pour l'affichage en veille. Choisissez votre unité de température préférée (°F ou °C) puis saisissez votre emplacement. Quand les prévisions météorologiques sont activées, elles s'affichent en alternance avec l'affichage de l'horloge sur l'écran de veille (toutes les 10 s).
Installation de la radio locale	Il y a un raccourci Radio locale sous Radio internet permettant d'accéder facilement à la liste des stations de votre emplacement. Vous pouvez configurer manuellement votre emplacement ou bien laisser le système détecter automatiquement votre emplacement actuel. Le système détecte l'emplacement d'après l'adresse IP du réseau auquel vous êtes connecté. Appuyez sur Station locale pour accéder directement à la liste des stations de radio locales.

Option FM (IR) et DAB (IR) (pour écouter les chaînes de radio FM/AB locales sur Internet)

Pour activer les options FM (IR) et DAB (IR), vous devez d'abord activer la fonction FM (IR) et DAB (IR).

Vous pouvez le faire en appuyant sur la touche « menu », puis en sélectionnant « Configuration » et « Local Radio Setup (Configuration des radios locales) ». À présent, sélectionnez FM (IR) et appuyez sur le bouton « ok ».

Sélectionnez « Enable (Activer) » et appuyez à nouveau sur le bouton « ok ».

Répétez la procédure ci-dessus pour l'option DAB (IR) si vous souhaitez écouter les chaînes DAB via Internet.

Lorsque vous avez activé FM (IR) et/ou DAB (IR), vous devez définir votre emplacement.

Pour ce faire, sélectionnez « set location (définir l'emplacement) » dans « local radio setup (configuration des radios locales) » et choisissez « Manual Setup (City) (Configuration manuelle [Ville]) » puis appuyez sur OK pour confirmer.

Vous pouvez désormais, par exemple, si vous vous trouvez à Berlin, sélectionnez Europe puis appuyez sur le bouton « OK » pour confirmer.

Sélectionnez Allemagne et appuyez sur le bouton « OK » pour confirmer.

Sélectionnez Berlin et appuyez sur le bouton « OK » pour confirmer.

Sélectionnez à nouveau Berlin et appuyez sur le bouton « OK ».

Le message « Save as Local Radio (Enregistrer en tant que radio locale)» s'affiche, appuyez sur « OK » pour terminer les réglages.

Maintenant, l'écran change et vous pouvez lire DAB (IR) – Berlin et FM (IR) – Berlin à l'écran. Vous pouvez choisir les chaînes de radio DAB en sélectionnant DAB (IR) – Berlin et en appuyant sur le bouton « OK ». Vous verrez maintenant une liste des chaînes de radio DAB de Berlin. Sélectionnez votre chaîne préférée et appuyez sur la touche « OK » pour l'écouter.

Une icône DAB (IR) et FM (IR) s'affiche à présent sur l'écran du menu principal pour sélectionner rapidement une autre chaîne radio DAB ou FM.

Remarque :

- Si aucun emplacement n'est défini, la liste des chaînes sera vide lors de la sélection de FM (IR) ou de DAB (IR).
- Pour les stations FM (IR), vous devez sélectionner votre ville manuellement. La fonction FM (IR) ne fonctionne pas si vous sélectionnez uniquement votre pays ou laissez l'appareil effectuer la détection automatiquement.
- Les stations FM/AB de chaque ville ne sont pas toutes disponibles, mais la base de données sera mise à jour en permanence.

Configurer la lecture

Sélectionnez le mode de lecture ou le centre multimédia : Désactivé (ni répétition ni lecture aléatoire), Répéter tout, Répéter une piste ou bien Lecture aléatoire.

Appareil

Le nom de l'appareil par défaut pour DLNA est « AirMusic ». Vous pouvez le renommer pour la configuration DLNA sur un PC ou un mobile. Scannez le code QR pour le téléchargement et installez l'appli de commande « AirMusic ».

Égaliseur

L'égaliseur par défaut est Normal, vous pouvez le régler également sur Flat (bémol), Jazz, Rock, Soundtracks (film), Classical (classique), Pop ou News MY EQ (actualités mon égaliseur).

Reprendre au redémarrage

Par défaut, le système reprend la lecture de la radio Internet si vous écoutiez la radio Internet ou centre multimédia avant d'éteindre l'appareil. Si vous désactivez ce paramètre, le système restera dans le menu principal lors de la mise sous tension de l'appareil.

Mise à jour du logiciel

Mise à jour du logiciel S'il existe une mise à jour de la version logicielle sur le serveur, alors le système vous avertira. Avant de démarrer une mise à jour de logiciel, vérifiez que l'appareil est branché dans une prise électrique stable. Si l'alimentation est débranchée pendant une mise à jour du logiciel, cela peut endommager l'appareil de manière irréversible.

Réinitialiser aux valeurs par défaut

Rétablissement des paramètres par défaut. Une fois l'appareil réinitialisé, le système passera à la langue sélectionnée.

9. DLNA/UPnP

Vous pouvez renommer le DLNA par défaut à votre guise. Les informations ci-dessous présentent la méthode de configuration de diffusion de contenu multimédia à partir d'un PC ou d'un autre serveur multimédia. Étudiez les instructions du logiciel ou des applications pour profiter du flux de musique en continu si nécessaire. Vérifiez que les fichiers de musique sont au format MP3, WMA, WAV ou AAC pour lire de la musique vers la radio en continu.

UPnP

Connectez l'ordinateur au réseau.

Vérifiez que la radio est sous tension et connecté au même réseau.

Ouvrez la plateforme UPnP Windows Media Player (11 ou plus récent). Alternativement, vous pouvez utiliser d'autres plateformes ou serveurs tels que Windows Media Connection.

Permet de partager votre contenu multimédia vers la radio.

Ajoutez les fichiers audio et les dossiers à partager avec la radio vers la bibliothèque multimédia.

Vous pouvez également écouter de la musique en flux continu à partir d'un autre serveur de musique, tel qu'un smartphone (plateforme Android)

Connectez le mobile au réseau

Recherchez et installez des applications de partage de médias à partir de Google Play.

Ajoutez les fichiers audio à partager à partir de votre mobile.

Après avoir configuré le serveur partagé, choisissez la musique et commandez la lecture sur la radio.

DLNA

En plus de la fonction UPnP, la radio prend en charge la fonction DLNA, donc vous pouvez partager les fichiers de musique à partir d'un PC ou mobile Android et utiliser votre PC, mobile Android ou iPhone/iPad pour commander la lecture de musique sur la radio. (Cela n'est pas nécessaire pour commander chaque lecture sur la radio.)

Le système PC requis pour DLNA est Windows 7 et Windows Media Player 12 à configurer comme suit : Partagez d'abord les fichiers multimédia sur votre PC pour la radio.

Control Panel (Panneau de configuration) > Network and Internet (Réseau et Internet) > Network and Sharing Center (Centre réseau et partage) > Change advanced sharing settings (Modifier les paramètres de partage avancés) > Media streaming options (Options de diffusion multimédia en continu)

Ouvrez Windows Media Player pour activer Allow remote control of my Player (Autoriser le contrôle à distance de mon lecteur).

Faites un clic droit sur n'importe quelle musique dans la bibliothèque et choisissez Lire vers la radio.

Il y aura une fenêtre permettant de commander la lecture de musique sur la radio.

Vous pouvez rechercher et installer n'importe quelle application DLNA gratuite ou payante dans Google Play ou Apple Store si vous utilisez un mobile Android, une tablette ou un iPhone/iPad.

Il est suggéré d'utiliser Bubble UPnP, Twonky Beam sur un mobile Android, une tablette ou Twonky Beam sur iPhone/iPad. Certaines applications ne prennent pas en charge la lecture de musique en flux continu à partir d'un iPhone/iPod mais l'iPhone/l'iPod peut encore être utilisé pour commander la musique en flux continu à partir d'autres serveurs.

Voici les procédures pour lire de la musique partagée sur l'application :

Sélectionnez la radio comme lecteur. Certaines applications peuvent permettre la lecture de musique sur plusieurs lecteurs en même temps.

Sélectionnez le serveur de musique et choisissez la musique. Certaines applications peuvent créer une liste de lecture si vous choisissez plusieurs morceaux.

Remarque : Lorsque vous utilisez la fonction de streaming de musique DLNA sur la radio Internet, vous ne pouvez contrôler le volume et la mise en veille que par l'intermédiaire de l'appareil. Son contrôle des autres fonctions est limité. Arrêtez DLNA sur le PC, le mobile ou la tablette avant que le contrôle de la radio Internet ne reprenne.

10. AUX (entrée de ligne)

Permet d'écouter l'audio depuis une source externe telle qu'un lecteur MP3. Pour lire de la musique avec le mode Entrée Aux :

Baissez bien le volume sur la radio internet et, si possible, sur l'appareil source audio.

Branchez la source audio externe sur la prise d'entrée auxiliaire (Aux In) stéréo de 3,5 mm.

Sélectionnez AUX dans le menu principal.

Régler le volume de la radio (et si nécessaire de l'appareil source audio) à votre convenance.

11. Utilisation de la sortie casque

Insérez la fiche jack de 3,5 mm du casque dans l'entrée casque sur le panneau arrière.

Réglez le volume à votre guise à l'aide du bouton de réglage du volume.

12. Caractéristiques techniques

Réseau	802.11b/g/n (WLAN) Chiffrement : WEP, WPA, WPA 2(PSK), WPS
Flux continu	UPnP, DLNA
Types de fichier pris en charge	WMA, MP3,
Connexions	CC, entrée auxiliaire de 3,5 mm, sortie casque 3,5 mm
Entrée	100-240 V ~ 50/60 Hz, 0,2 A max.
Sortie	5 V/1 A
Puissance absorbée	5 W
Puissance consommée (veille)	< 1 W
Température de fonctionnement	0 °C-35 °C
Position de fonctionnement	Horizontal
Adaptateur d'alimentation : (pour l'Europe uniquement)	
Fabricant : Shenzhen Adition Audio Science and Technology Co., Ltd	
Numéro du modèle : AD0600501000EU	
Utilisez uniquement l'adaptateur CA d'origine	
Utilisez uniquement l'alimentation électrique indiquée dans le mode d'emploi.	
Dim. de l'unité	180 x 61 x 109 mm (LxPxH)
Poids	304 g

13. Garantie

Lenco propose un service et une garantie conformément à la législation européenne, ce qui signifie qu'en cas de besoin de réparation (aussi bien pendant et après la période de garantie), vous pouvez contacter votre revendeur le plus proche.

Remarque importante : Il n'est pas possible de renvoyer l'appareil pour réparation directement à Lenco.

Remarque importante : Si l'appareil est ouvert ou modifié de quelque manière que ce soit par un réparateur non agréé, la garantie serait caduque.

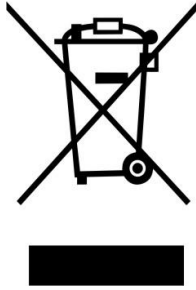
Cet appareil ne convient pas à une utilisation professionnelle. En cas d'utilisation professionnelle, les obligations de garantie du fabricant seront annulées.

14. Clause de non-responsabilité

Des mises à jour du logiciel et/ou des composants informatiques sont régulièrement effectuées.

Il se peut donc que certaines instructions, caractéristiques et images présentes dans ce document diffèrent légèrement de votre configuration spécifique. Tous les articles décrits dans ce guide sont fournis uniquement à des fins d'illustration et peuvent ne pas s'appliquer à une configuration spécifique. Aucun droit légal ne peut être obtenu depuis les informations contenues dans ce manuel.

15. Mise au rebut de l'appareil usagé



Ce symbole indique que le produit électrique concerné ainsi que les piles ne doivent pas être jetés avec les autres déchets ménagers en Europe. Pour garantir un traitement correct des piles et de l'appareil usagés, veuillez les mettre au rebut conformément aux réglementations locales en vigueur relatives aux appareils électriques et autres piles. En agissant de la sorte, vous contribuerez à la préservation des ressources naturelles et à l'amélioration des niveaux de protection environnementale concernant le traitement et la destruction des déchets électriques (directive sur les déchets des équipements électriques et électroniques).

16. Marquage CE

Par la présente, Lenco Benelux B.V., Thermiekstraat 1a, 6361 HB Nuth, Pays-Bas, déclare que ce produit est conforme aux exigences principales des directives européennes.

La déclaration de conformité peut être consultée via techdoc@commaxxgroup.com



17. Service après-vente

Pour en savoir plus et obtenir de l'assistance, visitez www.lenco.com

Lenco Benelux BV, Thermiekstraat 1a, 6361 HB, Pays-Bas.

PRECAUCIÓN:

El uso de los controles o ajustes o el funcionamiento de los procedimientos excepto a aquellos especificados aquí pueden provocar una exposición peligrosa a la radiación.

Esta unidad no debe ajustarse o repararse por ninguna persona salvo personal de servicio cualificado.

PRECAUCIONES PREVIAS AL USO

TENGA ESTAS INSTRUCCIONES EN MENTE:

1. No use este dispositivo cerca del agua.
2. Límpielo únicamente con un paño ligeramente humedecido.
3. No cubra o bloquee ninguna apertura de ventilación. Cuando coloque el dispositivo en una estantería, deje 5 cm (2") de espacio libre alrededor de todo el dispositivo.
4. Instálelo conforme al manual de usuario que se adjunta.
5. * No pise o pince el adaptador de alimentación. Tenga mucho cuidado, en especial cerca de las tomas y el punto de salida del cable. No coloque objetos pesados en el adaptador de alimentación, ya que pueden dañarlo. ¡Mantenga el dispositivo fuera del alcance de los niños! Si juegan con el cable de alimentación, puede sufrir lesiones graves.
6. * Desconecte el dispositivo durante tormentas eléctricas o cuando no vaya a usarse durante periodos prolongados de tiempo.
7. Mantenga el aparato alejado de fuentes de calor, como radiadores, calentadores, estufas, velas u otros productos que generen calor o llama viva.
8. Evite usar el dispositivo cerca de campos magnéticos fuertes.
9. Una descarga electrostática puede entorpecer el uso normal de este dispositivo. En tal caso, simplemente reinícielo siguiendo el manual de instrucciones. Durante la transmisión de archivos, por favor manéjelo con cuidado opérela en un entorno libre de electricidad estática.
10. ¡Advertencia! Nunca inserte un objeto en el producto a través de las ventilaciones o aperturas. Alto voltaje fluye a través del producto e insertar un objeto puede provocar una descarga eléctrica y/o un cortocircuito de sus componentes internos. Por el mismo motivo, no derrame agua o líquidos en el producto.
11. No lo utilice en zonas húmedas, como cuartos de baño, cocinas en las que se forme vapor ni cerca de piscinas.
12. No use este dispositivo cuando se pueda producir condensación.
13. Aunque este dispositivo está fabricado con el máximo cuidado y comprobado varias veces antes de salir de fábrica, todavía es posible que se puedan producir problemas, al igual que con todos los aparatos eléctricos. Si observa la aparición de humo, una acumulación excesiva de calor o cualquier otro fenómeno inesperado, deberá desconectar inmediatamente el enchufe de la toma de corriente.
14. Este dispositivo debe funcionar con una fuente de alimentación que se especifica en la etiqueta de especificaciones. Si no está seguro del tipo de alimentación que se usa en su hogar, consulte con el distribuidor o una compañía eléctrica local.
15. * La salida de la toma debe instalarse cerca del equipo y debe ser fácilmente accesible.
16. * No sobrecargue las tomas CA o los cables de extensión. La sobrecarga puede provocar un incendio o una descarga eléctrica.
17. * Los dispositivos con construcción de Clase 1 deben estar conectados a una toma de corriente con una conexión a tierra protegida.
18. * Los dispositivos con construcción Clase 2 no requieren una conexión a tierra.
19. Manténgalo alejado de los roedores. Los roedores disfrutan mordiendo cables de alimentación.
20. * Sujete siempre el enchufe cuando los extraiga de la toma de corriente. No tire del cable de alimentación. Esto puede provocar un cortocircuito.
21. Evite colocar la unidad sobre superficies sometidas a vibraciones o impactos.

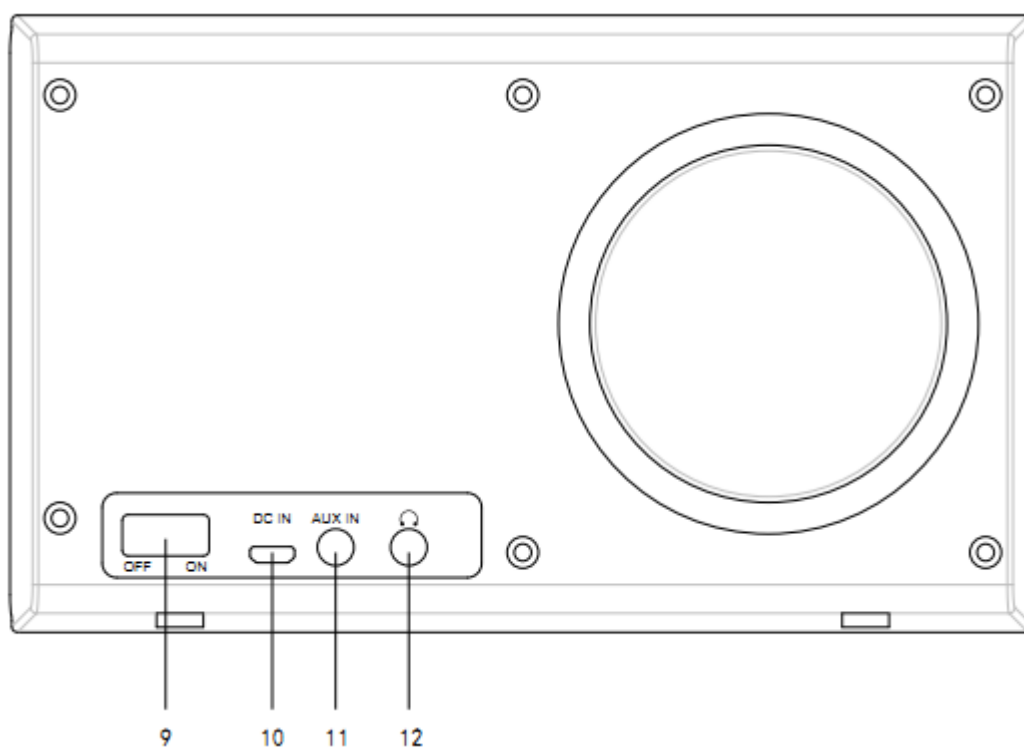
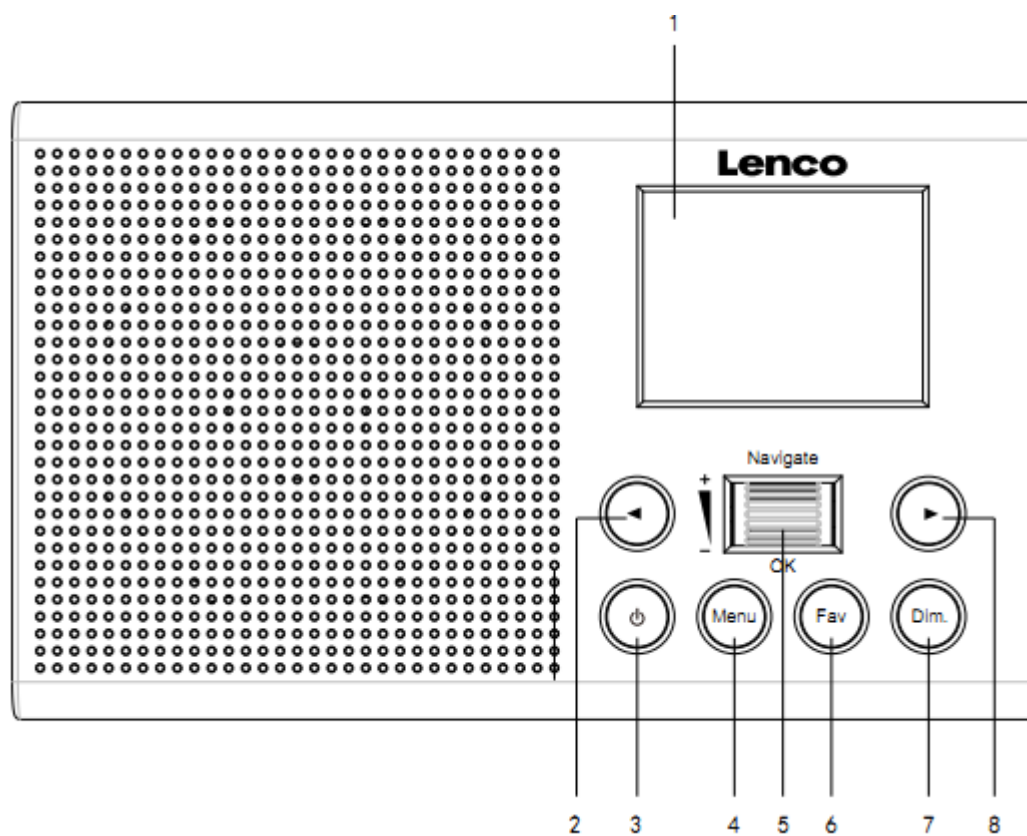
22. Para limpiar el dispositivo use un paño seco y suave. No utilice líquidos disolventes ni con base de petróleo. Para eliminar manchas difíciles, puede usar un paño húmedo con detergente diluido.
23. El proveedor no asume ninguna responsabilidad por daños o datos perdidos provocados por un funcionamiento incorrecto, uso incorrecto, modificación del dispositivo o sustitución de la batería.
24. No interrumpa la conexión cuando el dispositivo esté formateando o transfiriendo archivos. En caso contrario, los datos se pueden estropear o perder.
25. Si la unidad dispone de función de reproducción USB, se debe conectar la memoria USB directamente en la unidad. No utilice cables de extensión USB ya que pueden crear interferencias que causen una pérdida de datos.
26. El aparato no debe exponerse a goteos o salpicaduras y asegúrese de que ningún objeto lleno de líquido, como jarrones, se colocan sobre o cerca del aparato.
27. * Para desconectar completamente la entrada de alimentación, el enchufe del aparato deberá desconectarse de la alimentación, ya que el dispositivo de desconexión es el enchufe del aparato.
28. Si la unidad funciona con batería, la batería no debe exponerse a un calor excesivo como a la luz solar, el fuego o similares.
29. Se debe prestar atención a los aspectos medioambientales sobre la eliminación de baterías.
30. El aparato solo debe usarse en climas moderados o extremadamente fríos y deben evitarse los entornos calurosos.
31. La etiqueta identificativa aparece marcada en la parte inferior o en el trasero del aparato.
32. Este aparato no está diseñado para su uso por personas (incluyendo niños) con discapacidades físicas, sensoriales o mentales o con falta de experiencia o conocimientos, salvo que estén bajo la supervisión o hayan recibido formación sobre el uso correcto del dispositivo por parte de una persona responsable de su seguridad.
33. Este producto está diseñado para un uso no profesional únicamente y no para un uso comercial o industrial.
34. Asegúrese de que la unidad esté fijada en una posición estable. Los daños provocados por utilizar este producto en una posición inestable o por no seguir cualquier otra advertencia o precaución incluida en este manual de usuario no estarán cubiertos por la garantía.
35. No retire nunca la carcasa de este aparato.
36. Nunca coloque el aparato sobre otro equipo eléctrico.
37. No utilice ni guarde el producto en lugares expuestos a la luz solar directa, a altas temperaturas, a la vibración ni en ambientes excesivamente polvorientos.
38. Mantenga las bolsas de plástico fuera del alcance de los niños.
39. Use únicamente los dispositivos/accesorios especificados por el fabricante.
40. Remita todas las reparaciones al personal cualificado. La reparación es necesaria cuando el aparato presente cualquier tipo de daño, como el cable de alimentación o el enchufe, cuando se haya derramado líquido o hayan caído objetos sobre el aparato, o cuando el aparato se haya visto expuesto a la lluvia o humedad, o no funcione normalmente o se haya caído.
41. * No utilice un cable de alimentación o enchufe deteriorado o una toma suelta. Si lo hace, podría provocar un incendio o una descarga eléctrica.
42. La exposición prolongada a sonidos fuertes de reproductores personales de música puede provocar pérdida de audición temporal o permanente.

INSTALACIÓN

- Desembale todas las piezas y retire el material protector.
- * No conecte la unidad a la corriente eléctrica antes de comprobar la tensión de la corriente y antes de que se hayan hecho todas las demás conexiones.

*** Estas instrucciones solo están relacionadas con productos que usen un cable de alimentación o un adaptador de corriente CA.**

1. Descripción general del producto



1. Pantalla
2. Izq.
3. En espera
4. Menú
5. Volumen/Navegación/Ok/Desplazarse Pulsar=Seleccionar
6. Favoritos
7. Atenuador
8. Dere.
9. Encender/Apagar
10. Entrada CC
11. Entrada auxiliar (3,5mm)
12. Salida del auricular (3,5mm)

2. PRIMER USO

Antes de utilizarlo, asegúrese de que la TENSIÓN indicada en la alimentación eléctrica sea siempre la misma que la tensión de su red.

Utilice el adaptador de corriente incluido para conectar el dispositivo a la toma de corriente del hogar.

Encienda el dispositivo usando el interruptor de la parte trasera.

Cuando utilice el dispositivo por primera vez, el sistema le preguntará que configure el Idioma y Las Configuraciones de red. Puede configurar la conexión de red inmediatamente, o configurarlo más tarde. Use Navegar para seleccionar la opción que desee. Pulse «Navigate/OK» para confirmarlo.

Pulse el botón Standby cuando la unidad esté encendida para pasar al modo de espera. Púlselo otra vez para volver a activar el dispositivo.

3. Configuración de red

1. Configuración de red normal

Seleccione «Yes» (Sí) para realizar la configuración normal de red inalámbrica: A continuación, seleccione el PA necesario girando «Navigate» y confirme pulsando «Navigate/OK».

Gire el botón «Navigate/OK» para seleccionar los caracteres correctos e introducir el código WEP o WPA para conectarse a la red Wi-Fi.

Pulse el botón ► para seleccionar el carácter siguiente.

De esta forma, si pulsa el botón ◀ puede desplazarse a la izquierda y borrar al mismo tiempo los caracteres que haya a la izquierda:

Cuando la contraseña esté completa, pulse el botón «Navigate/OK» para confirmar.

Nota: En esta radio se pueden introducir los siguientes caracteres:

Números (del 0-9)

Letras (de A a Z y de a a z)

Otros caracteres (DEL, @, espacio, !, ", #, \$, %, &, *, ', + y (,))

2. Configuración de red PBC WPS

Seleccione «Yes WPS» (Sí WPS) cuando desee configurar la función de red inalámbrica (PBC WPS): Si está utilizando un router con botón WPS, puede establecer la conexión fácilmente con la función WPS. Para acceder, pulse el botón WPS de su router antes de que transcurran 120 segundos.

La conexión entre el router y la radio se configurará automáticamente.

Seleccione «No» si no desea configurar la red en este momento.

3. Sin configuración de red

Seleccione «No» si no desea configurar la conexión de red en este momento.

Pulse «En espera» para pasar al modo de espera. Cuando aparezca la fecha y hora actuales, la configuración de red estará realizada. La fecha y hora y las alarmas activadas seguirán apareciendo en la pantalla en el modo de espera.

4. RADIO POR INTERNET

Pulse «En espera» y gire la rueda Navigate para desplazarse por el menú principal. Pulse OK (para acceder a los submenús o confirmar los ajustes).

Pulse ◀ para volver al menú anterior.

Una vez se haya conectado correctamente a una emisora, aparecerá la información de la misma: Es posible cambiar el contenido de la información con el botón ◀ o ▶ .

Mis favoritos

Lista con sus presintonías favoritas. Soporta 250 entradas favoritas, incluyendo emisoras y carpetas. Durante la pantalla de reproducción de la emisora, mantenga pulsado Fav en el dispositivo para guardar la emisora como mi favorito. Puede sustituir la anterior emisora guardada por una nueva.

Si la emisora seleccionada ya está guardada, no podrá volverla a guardar. Las emisoras guardadas aparecen en este menú. También puede pulsar Fav para acceder a la lista de emisoras guardadas.

Bajo la lista de emisoras presintonizadas, muévase a su emisora; pulse OK en la unidad para escucharla.

Emisora de radio/música

Las emisoras se categorizan como Global Top 20, Género y País/Ubicación (África, Asia, Europa, Oriente Medio, Norteamérica, Oceanía/Pacífico, y Sudamérica). Entre para ver las subcategorías y escoja la emisora que desee escuchar.

Para cada emisora, pulse OK en la unidad para reproducirla directamente.

Radio local:

Las emisoras están clasificadas según el país/ubicación en el que se opera la unidad.

Retardo de la radio

Puede elegir pájaros, nana, piano,. lluvia, spa, espacio, onda, sonido blanco como sonido de retardo.

Historial:

Lista de las diez emisoras escuchadas recientemente.

Servicio:

Busque la emisora de radio. Introduzca una palabra clave para buscar la emisora de radio en la lista.

Añada una nueva radio añadiendo la dirección IP. Las emisoras añadidas se almacenarán en My Favorite (Mis favoritos).

Tenga en cuenta que el número máximo de caracteres para el nombre de la emisora es de 250.

5. Centro multimedia

Seleccione el modo UPnP o el modo lista de reproducción con el botón Navigate/OK.

UPnP

Si ha compartido el contenido multimedia, deberá ver dicho contenido compartido desde UPnP.

Si tiene más de un ordenador compartiendo contenidos, aparecerán todos en una lista.

Seleccione los contenidos multimedia compartidos que desee reproducir.

Nota: La radio solo puede leer pistas con nombres de archivo de menos de 40 caracteres. Los caracteres deben ser latinos. Si encuentra problemas para leer pistas en el modo UPnP, puede probar a cambiarles el nombre. No obstante, si la pista sigue sin poder reproducirse, puede intentar convertir el archivo a otro formato.

Mi lista de reproducción:

Puede crear una lista de reproducción de la música de sus favoritos desde UPnP. Cuando reproduzca la música, mantenga pulsado OK en la unidad para guardarla en Mi lista de reproducción.

Borrar mi lista de reproducción

Seleccione la opción Sí para eliminar la lista de reproducción.

6. My MediaU

Aquí se muestran y se reproducen sus propias emisoras mediaU en el servidor mediaU. Fije primero su cuenta. Para activar su propia lista de emisoras, siga los pasos que aparecen debajo:

Acceda a <http://www.mediayou.net/>. Hágase miembro de Mis mediosU. Inicie sesión en la página web;

Introduzca la dirección MAC inalámbrica de radio en la página web mediaU. Puede obtener esta información en Center>System information>Wireless Info (Centro>Información del sistema>Información inalámbrica).

Cuando esté configurado correctamente, podrá guardar y ver sus listas de reproducción propias de emisoras mediaU. No es necesario un nombre de usuario ni contraseña para acceder a la radio.

Si hay diferentes cuentas almacenadas en la radio, podrá elegir la que usa actualmente en el menú Configuration (Configuración). En la página web podrá guardar emisoras en Favorite Station (Emisora favorita), configurar Favorite Location/Genre (Ubicación/Género favorito) y My Local City (Mi ciudad local), o añadir manualmente las emisoras. Es posible ver las emisoras desde el modo My Media (Mis medios) en la radio.

7. Centro de información

Tiempo

Hay información y predicciones meteorológicas para 2000 ciudades.

Seleccione el país y después la ciudad para ver la información meteorológica.

Gire el dial Navigate/OK para revisar la previsión meteorológica de los siguientes días.

El dispositivo puede mostrar la información del tiempo en el modo de espera. En la página de información meteorológica, pulse OK para elegir el tiempo a mostrar en el modo en espera y pulse OK para confirmarlo.

Información financiera

Ver el índice bursátil.

Información del sistema

Ver información sobre la unidad y la conexión de red. La información incluye la dirección MAC que debe introducir cuando se registre en My mediaU.

8. CONFIGURACIÓN

Mostrar hora	Analógica/Digital
Mis mediosU	Cuando está activado, My mediaU existirá en el menú principal. Si existen varias cuentas mediaU en la Radio, seleccione la cuenta de inicio de sesión por defecto aquí.
Network (Red)	<p>Configuración de red inalámbrica: Activar/desactivar la red WiFi. Cuando active la red WiFi, el sistema seleccionará automáticamente la AP requerida. Introduzca el código WEP o WPA para conectarse a la red Wi-Fi.</p> <p>Red inalámbrica, WPS PBC: Si está utilizando un router con botón WPS/QSS, puede establecer la conexión fácilmente con la función WPS. Para acceder, pulse el botón WPS/QSS de su router antes de que transcurran 120 segundos. La conexión entre el router y el enlace de música se configurará automáticamente.</p> <p>Configuración manual: Puede escoger DHCP (cuya dirección IP se asigna automáticamente) o introducir la dirección IP de forma manual para la conexión de red. Cuando seleccione la configuración manual para una conexión cableada, deberá introducir lo siguiente: SSID (nombre del punto de acceso), dirección IP, máscara de subred, pasarela predeterminada, servidor DNS preferido, servidor DNS alternativo.</p> <p>Comprobar la red al encenderse: Activar/desactivar la red WiFi. Cuando active la red WiFi, el sistema buscará automáticamente el PA disponible. Seleccione el PA necesario.</p>
Fecha y hora	<p>Ajustar la fecha y la hora</p> <p>Establezca el formato de visualización de la hora como 12 Hour (12 horas) o 24 Hour (24 horas)</p> <p>Ajuste el formato de fecha (AAAA/MM/DD-DD/MM/AAAA-MM/DD/AAAA)</p>
Alarma	<p>Hay tres alarmas independientes, 2 alarmas de ajuste de hora absoluta (Alarma 1 y Alarma 2) y 1 alarma de ajuste de hora relativa (Alarma NAP).</p> <p>Tenga en cuenta que la fuente de la alarma es desde la radio de Internet prefijada, si el sonido de la alarma se fija para que sea Radio de Internet. Sólo puede establecerse una misma emisora de RI/FM para la Alarma 1 y la Alarma 2. Cuando suene la alarma, la unidad se conectará a Internet si la red configurada está disponible. Por lo tanto, puede haber algo de retardo entre la alarma y la reproducción de la radio. Si no hay red ni se puede establecer una conexión en un plazo de un minuto, la alarma cambiará automáticamente a Melody (Melodía).</p> <p>Cuando la opción «NAP» de la alarma esté configurada, sonará una vez cada 5/10/20/30/60/90/120 minutos dependiendo de la opción que se haya configurado.</p> <p>Seleccione Alarm Volume (Volumen de alarma) para configurar el volumen de las alarmas.</p>
Reproducción programada del temporizador	<p>Temporizador con cuenta atrás (máx. 100 min)</p> <p>Cuando elija conectado, puede configurar el tiempo de reproducción programado y la frecuencia.</p> <p>No puede cambiar la emisora cuando haya finalizado la reproducción programada o se desactivará la configuración.</p>
Idioma	Inglés/Alemán/Español/Francés/Portugués/Holandés/Italiano/Ruso/Sueco/Noruego/Danés/Magiar/Checo/Eslovaco/Polaco/Turco/Suomi
Atenuador	Ahorro de energía/Encendido
Pantalla	Color/monocromático

Gestión de energía	Aquí se configura la activación automática del modo de espera mientras está en el menú y/o sin señal Wi-Fi. Seleccione el temporizador para la gestión de energía (5/15/30 minutos) para determinar el tiempo tras el cual la radio pasará al modo de espera cuando no la esté controlando. Seleccione «Turn off» (Desactivar) para ignorar la función de gestión de energía.
Temporizador de suspensión	Desactive o ajuste el temporizador de reposo en 15/30/60/90/120/150/180 minutos. Una vez ajustado el tiempo, aparecerá un icono de cama con los minutos restantes en la esquina superior derecha y el dispositivo pasará entonces a modo de espera.
Memoria intermedia	Configura el tiempo de memoria intermedia (búfer) de la música en reproducción, 2/4/8 segundos.
Tiempo	Activa/desactiva la previsión meteorológica de la pantalla en espera. Elija la unidad de temperatura que prefiera (°F o °C) y posteriormente, proceda introduciendo su ubicación. Una vez activada, se mostrará el pronóstico meteorológico en alternancia con el reloj en la pantalla de espera (cada 10 s).
Configuración de radio local	Hay un atajo, Local Radio (radio local), en la radio por internet para que pueda acceder fácilmente a la lista de emisoras de su ubicación. Puede configurar manualmente su ubicación o dejar que el sistema la detecte automáticamente. El sistema detecta la ubicación en función de la dirección IP de la red a la que esté conectado. Pulse Local Station (Emisora local) para acceder directamente a esta lista de radios locales.

Opción FM (IR) y DAB (IR) (escuchar canales de radio locales FM/DAB en Internet)

Para activar la opción FM (IR) y DAB (IR), primero es necesario que habilite la función FM (IR) y DAB (IR).

Puede hacerlo pulsando el botón «menu»; seleccione «Configuration (Configuración)» y posteriormente seleccione «Local Radio Setup (Configuración de radio local)». Ahora seleccione FM(IR) y pulse el botón «ok». Seleccione «Enable (Habilitar)» y vuelva a pulsar el botón «ok».

Repita el procedimiento que aparece arriba para la opción DAB (IR) si desea escuchar canales DAB vía Internet.

Cuando habilite FM (IR) y/o DAB (IR) tiene que configurar su ubicación. Esto se hace seleccionando «set location (Fij ubic.)» en «local Radio setup (Configuración de radio local)» y elija «Manual Setup (City) (Configuración Manual (Ciudad))». Pulse OK para confirmarlo.

Ahora puede, por ejemplo, si está situado en Berlín, seleccionar Europa y después pulsar el botón «OK» para confirmarlo.

Seleccione Alemania y pulse el botón «OK» para confirmarlo.

Seleccione Berlín y pulse el botón «OK» para confirmarlo.

Vuelva a seleccionar Berlín y pulse el botón «OK».

Ahora habrá un aviso «Save as Local Radio (Guardar como radio local)»; pulse «OK» para finalizar la configuración.

Ahora la pantalla cambia y puede ver DAB (IR) – Berlín y FM (IR) – Berlín en la pantalla. Puede elegir canales de radio DAB seleccionando DAB(IR) – Berlín y pulsando el botón «OK». Ahora verá una lista de canales de radio DAB de Berlín.

Seleccione el canal que prefiera y pulse el botón «OK» para escucharlo.

Habrà un icono DAB (IR) y FM (IR) en la pantalla del menú principal, para seleccionar rápidamente otro canal de radio DAB o FM.

Observaciones:

- Si no se configura ninguna ubicación, la lista de canales estará vacía cuando seleccione FM (IR) o DAB (IR).
- Para emisoras FM (IR) debe seleccionar su ciudad manualmente. La FM (IR) no funciona si solo selecciona su país o lo deja que lo detecte automáticamente.
- No están disponibles todas las emisoras FM/DAB de cada ciudad, pero la base de datos se actualizará continuamente.

Configuración de reproducción	Seleccione el modo de reproducción del centro multimedia entre Off (Desactivado - no repetir ni reproducción aleatoria), Repeat all (Repetir todo), Repeat one (Repetir uno), o Shuffle (Aleatorio).
Dispositivo	El nombre del dispositivo predeterminado de DLNA es «AirMusic». Puede cambiar el nombre para la configuración de DLNA en el PC o el móvil. Código QR para descargar e instalar la aplicación de control «AirMusic».
Ecuador	El ecualizador por defecto es Normal; puede cambiarlo a Plano, Jazz, Rock, Bandas sonoras, Clásica, Pop, o Noticias MY EQ.
Reanudar al encenderse	El sistema está predeterminado para reanudar la reproducción de radio por Internet si estaba escuchando radio por Internet o un centro multimedia antes de apagar la unidad. Si se desconecta esta configuración, el sistema permanecerá en el menú principal cuando encienda la unidad.
Actualizar software	Actualización del Software. Si hay una actualización de la versión de software en el servidor, el sistema le notificará. Antes de iniciar la actualización del software, asegúrese de que la unidad esté conectada a una fuente de alimentación eléctrica estable. Si se desconecta la alimentación durante la actualización del software, podría dañar permanentemente la unidad.
Restablecer valores predeterminados	Restaura los ajustes predeterminados. Una vez que se reinicie la unidad, el sistema se moverá a la selección de idioma.

9. DLNA/UPnP

Puede cambiar el nombre predeterminado del DLNA por el que desee. La información siguiente es la introducción a cómo configurar la transmisión multimedia desde el PC u otro servidor multimedia.

Si es necesario, lea detenidamente las instrucciones del software o aplicación que utilice para disfrutar de su música. Asegúrese de que los archivos de música estén en formato MP3, WHA, WAV o AAC para transmitir música a la radio.

UPnP

Conecte el PC a la red.

Asegúrese de que la radio esté encendida y conectada a la misma red.

Abra la plataforma UPnP Windows Media Player (11 o posterior). De modo alternativo, pueden utilizarse otras plataformas o servidores, como Windows Media Connection.

Permita que se compartan todos sus archivos multimedia con la radio.

Añada los archivos de audio y las carpetas que desee compartir con la radio en la biblioteca multimedia.

También puede disfrutar de la música transmitida desde otro servidor de música, como un smartphone (plataforma Android)

Conecte el móvil a la red

Busque en la Google Play aplicaciones para compartir contenidos multimedia e instálelas.

Agregue los archivos que desee compartir desde su móvil.

Después de configurar el servidor compartido, elija la música y controle la reproducción desde la radio.

DLNA

Además de UPnP, la radio es compatible con la función DLNA. Comparta los archivos de música desde el PC o móvil Android y utilice el PC, el móvil Android o el iPhone/iPad para controlar la reproducción de música desde la radio. (si no es necesario controlar cada reproducción desde la radio).

Los requerimientos del sistema del PC para DLNA es Windows 7 y Windows Media Player 12.Setup tal y como aparece debajo Primero, comparte los archivos multimedia de su PC con la radio.

Control Panel (Panel de control) > Network and Internet (Red e Internet) > Network and Sharing Center (Red y Centro de archivos compartidos) > Change advanced sharing settings (Cambiar configuración avanzada de archivos compartidos) > Media streaming options (Opciones de reproducción multimedia)

Abra Windows Media Player para habilitar Allow remote control of my Player (Permitir el control remoto de mi reproductor).

Haga clic derecho en un archivo de música de la biblioteca y seleccione Play to Radio (Reproducir en radio).

Aparecerá una ventana en la radio para controlar la reproducción de música.

Si utiliza un móvil o tableta Android o un iPhone/iPad, puede buscar e instalar cualquier aplicación DLNA gratuita o de pago en Google Play o la App Store. Se recomienda usar la burbuja UPnP, o Twonky Beam en móviles o tabletas Android, o en iPhone/iPad. Algunas aplicaciones no soportan la transmisión de música desde el iPhone/iPad aunque sí podrá controlar con el iPhone/iPad la música transmitida desde otros servidores.

El procedimiento para reproducir música compartida en la aplicación es el siguiente:

Seleccione Radio como reproductor. Algunas aplicaciones permiten reproducir la música en varios reproductores al mismo tiempo.

Seleccione el servidor de música y elija música. Algunas aplicaciones pueden crear una lista de reproducción su elige varias músicas.

Tenga en cuenta: Cuando use la función de reproducción de música DLNA en la radio pro Internet, solo puede controlar el volumen y el modo es espera mediante la unidad. Está restringido controlar las demás funciones. Al detener DLNA en el PC, móvil o tablet antes se reanuda el propio control de la radio por Internet.

10. AUX (entrada de línea auxiliar)

Reproduce audio desde una fuente externa, como un reproductor MP3. Para reproducir audio en el modo de entrada auxiliar:

Baje el volumen de la radio y del dispositivo de fuente del audio, si es posible ajustarlo.

Conecte la fuente de audio externa al conector estéreo de entrada Aux de 3,5 mm.

Seleccione AUX in bajo el menú principal.

Ajuste el volumen de la radio (y, si fuera necesario, del dispositivo de fuente del audio), según sea necesario.

11. Uso de la salida del auriculares

Inserte la toma de entrada de auriculares de 3.5mm en la toma de auriculares situada en el panel trasero. Ajuste el nivel de volumen como desee usando el control de volumen.

12. Especificaciones Técnicas

Network (Red)	802.11b/g/n (WLAN) Cifrado: WEP, WPA, WPA 2(PSK), WPS
Transmisión	UPnP, DLNA
Tipos de archivo compatibles	WMA, MP3,
Conexiones	CC, ENTRADA AUXILIAR 3,5mm, salida del auricular de 3,5mm
Entrada	100-240 V~50/60 Hz, 0,2 A máx
Salida	5 V/1 A
Consumo de energía	5 W
Consumo de energía (en espera)	<1 W
Temperatura de funcionamiento	0°C-35°C
Posición de funcionamiento	Horizontal
Adaptador de corriente: (sólo para la UE)	
	Fabricante: Shenzhen Adition Audio Science and Technology Co., Ltd
	Número de modelo: AD0600501000EU
	Utilice únicamente el adaptador de CA original
	Utilice únicamente la fuente de alimentación indicada en las instrucciones de uso.
Dim. unidad	180 x 61 x 109 mm (AxDxA)
Peso	304 g

13. Garantía

Lenco ofrece servicio y garantía en cumplimiento con las leyes de la Unión Europea, lo cual implica que, en caso de que su producto precise ser reparado (tanto durante como después del periodo de garantía), deberá contactar directamente con su distribuidor.

Nota importante: No es posible enviar sus reparaciones directamente a Lenco.

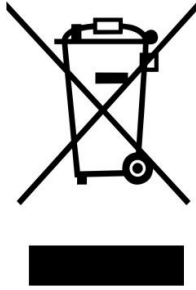
Nota importante: Si la unidad es abierta por un centro de servicio no oficial, la garantía quedará anulada.

Este aparato no es adecuado para el uso profesional. En caso de darle un uso profesional, todas las obligaciones de garantía del fabricante quedarán anuladas.

14. Exención de responsabilidad

Regularmente se llevan a cabo actualizaciones en el Firmware y en los componentes del hardware. Por esta razón, algunas de las instrucciones, especificaciones e imágenes incluidas en este documento pueden diferir ligeramente respecto a su situación particular. Todos los elementos descritos en esta guía tienen un objetivo de mera ilustración, y pueden no ser de aplicación en su situación particular. No se puede obtener ningún derecho ni derecho legal a partir de la descripción hecha en este manual.

15. Eliminación del antiguo dispositivo



Este símbolo indica que no deberá deshacerse del producto eléctrico o batería en cuestión junto con los residuos domésticos, en el ámbito de la UE.

Para garantizar un tratamiento residual correcto del producto y su batería, por favor, elimínelos cumpliendo con las leyes locales aplicables sobre requisitos para el desecho de equipos eléctricos y baterías. De hacerlo, ayudará a conservar recursos naturales y mejorar los estándares de protección medioambiental en el tratamiento y eliminación de residuos eléctricos (Directiva sobre la Eliminación de Equipos Eléctricos y Electrónicos).

16. Marca CE

Por la presente, Lenco Benelux B.V., Thermiekstraat 1a, 6361 HB Nuth, Países Bajos, declara que este producto cumple con las exigencias esenciales de las directivas de la UE.

La declaración de conformidad puede consultarse mediante techdoc@commaxxgroup.com



17. Servicio

Para obtener más información y soporte del departamento técnico, por favor, visite la página web www.lenco.com

Lenco Benelux BV, Thermiekstraat 1a, 6361 HB, Países Bajos.