

Lenco

Model No: CR-625BK



User manual – DAB+/FM clock radio with color display
Gebbruikershandleiding - DAB +/FM-wekkerradio met kleurenscherm
Bedienungsanleitung – DAB+/-/UKW-Radiowecker mit Farbdisplay
Manuel d'utilisation - Radio-réveil DAB+/FM équipée d'un écran couleur
Manual del usuario: radio despertador DAB+/FM con pantalla a color
Brugervejledning – DAB+/FM-clockradio med farvedisplay
Bruksanvisning – Klockradio med DAB+/FM och färgdisplay

Index

English3

Nederlands12

Deutsch22

Français32

Español42

Dansk/Norsk51

Svenska60

CAUTION:

Usage of controls or adjustments or performance of procedures other than those specified herein may result in hazardous radiation exposure.

PRECAUTIONS BEFORE USE

KEEP THESE INSTRUCTIONS IN MIND:

1. Do not cover or block any ventilation openings. When placing the device on a shelf, leave 5 cm (2") free space around the whole device.
2. Install in accordance with the supplied user manual.
3. Keep the device away from heat sources such as radiators, heaters, stoves, candles and other heat-generating products or naked flame. The device can only be used in moderate climates. Extremely cold or warm environments should be avoided. Working temperature between 0° and 35°C.
4. Avoid using the device near strong magnetic fields.
5. Electrostatic discharge can disturb normal usage of this device. If so, simply reset and restart the device following the instruction manual. During file transmission, please handle with care and operate in a static-free environment.
6. Warning! Never insert an object into the product through the vents or openings. High voltage flows through the product and inserting an object can cause electric shock and/or short circuit internal parts. For the same reason, do not spill water or liquid on the product.
7. Do not use in wet or moist areas such as bathrooms, steamy kitchens or near swimming pools.
8. The device shall not be exposed to dripping or splashing and make sure that no objects filled with liquids, such as vases, are placed on or near the apparatus.
9. Do not use this device when condensation may occur. When the unit is used in a warm wet room with damp, water droplets or condensation may occur inside the unit and the unit may not function properly; let the unit stand in power OFF for 1 or 2 hours before turning on the power: the unit should be dry before getting any power.
10. Although this device is manufactured with the utmost care and checked several times before leaving the factory, it is still possible that problems may occur, as with all electrical appliances. If you notice smoke, an excessive build-up of heat or any other unexpected phenomena, you should disconnect the plug from the main power socket immediately.
11. This device must operate on a power source as specified on the specification label. If you are not sure of the type of power supply used in your home, consult your dealer or local power company.
12. Keep away from animals. Some animals enjoy biting on power cords.
13. To clean the device, use a soft dry cloth. Do not use solvents or petrol based fluids. To remove severe stains, you may use a damp cloth with dilute detergent.
14. The supplier is not responsible for damage or lost data caused by malfunction, misuse, modification of the device or battery replacement.
15. Do not interrupt the connection when the device is formatting or transferring files. Otherwise, data may be corrupted or lost.
16. If the unit has USB playback function, the USB memory stick should be plugged into the unit directly. Don't use an USB extension cable because it can cause interference resulting in failing of data.
17. The rating label has been marked on the bottom or back panel of the device.
18. This device is not intended for use by people (including children) with physical, sensory or mental disabilities, or a lack of experience and knowledge, unless they're under supervision or have received instructions about the correct use of the device by the person who is responsible for their safety.
19. This product is intended for non professional use only and not for commercial or industrial use.
20. Make sure the unit is adjusted to a stable position. Damage caused by using this product in an unstable position vibrations or shocks or by failure to follow any other warning or precaution contained within this user manual will not be covered by warranty.
21. Never remove the casing of this device.
22. Never place this device on other electrical equipment.
23. Do not allow children access to plastic bags.

24. Only use attachments/accessories specified by the manufacturer.
25. Refer all servicing to qualified service personnel. Servicing is required when the device has been damaged in any way, such as the power supply cord or the plug, when liquid has been spilled or objects have fallen into the device, when the device has been exposed to rain or moisture, does not operate normally, or has been dropped.
26. Long exposure to loud sounds from personal music players may lead to temporary or permanent hearing loss.
27. If the product is delivered with power cable or AC power adaptor:
 - If any trouble occur, disconnect the AC power cord and refer servicing to qualified personnel.
 - Don't step on or pinch the power adaptor. Be very careful, particularly near the plugs and the cable's exit point. Do not place heavy items on the power adaptor, which may damage it. Keep the entire device out of children's reach! When playing with the power cable, they can seriously injure themselves.
 - Unplug this device during lightning storms or when unused for a long period.
 - The socket outlet must be installed near the equipment and must be easily accessible.
 - Do not overload ac outlets or extension cords. Overloading can cause fire or electric shock.
 - Devices with class 1 construction should be connected to a main socket outlet with a protective earthed connection.
 - Devices with class 2 construction do not require a earthed connection.
 - Always hold the plug when pulling it out of the main supply socket. Do not pull the power cord. This can cause a short circuit.
 - Do not use a damaged power cord or plug or a loose outlet. Doing so may result in fire or electric shock.
28. If the product contains or is delivered with a remote control containing coin/cell batteries:

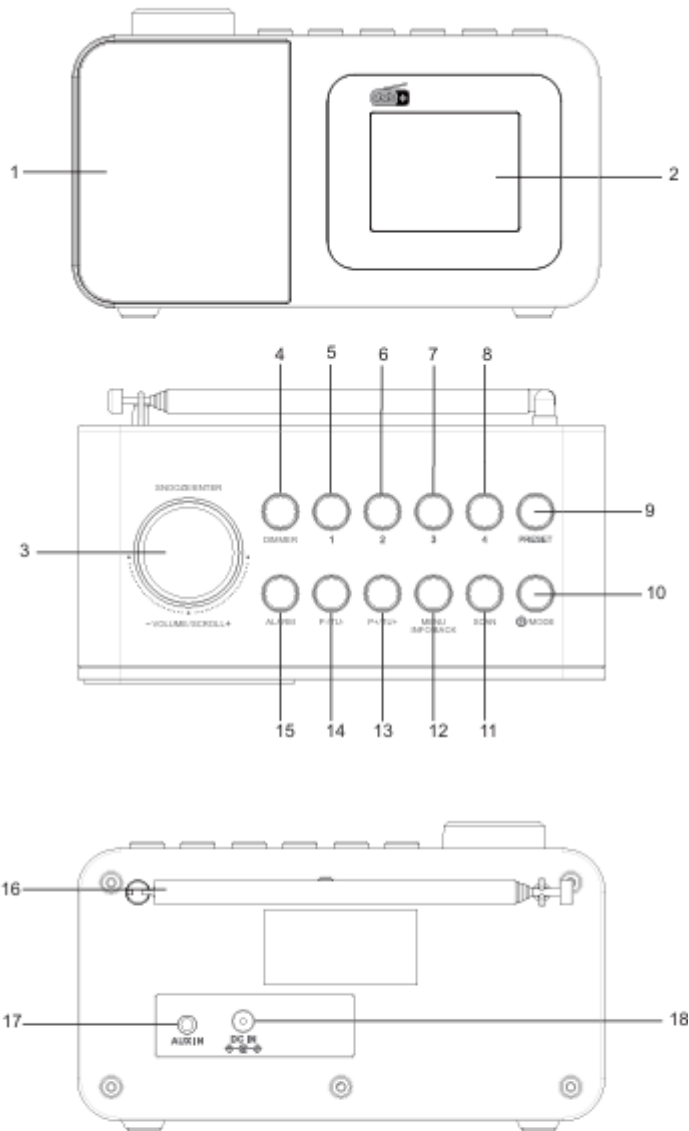
Warning:

 - "Do not ingest battery, Chemical Burn Hazard" or equivalent working.
 - [The remote control supplied with] This product contains a coin/button cell battery. If the battery is swallowed, it can cause severe internal burns in just 2 hours and can lead to death.
 - Keep new and used batteries away from children.
 - If the battery compartment does not close securely, stop using the product and keep it away from children.
 - If you think batteries might have been swallowed or placed inside any part of the body, seek immediate medical attention.
29. Caution about the use of Batteries:
 - Danger of explosion if battery is incorrectly replaced. Replace only with the same or equivalent type.
 - Battery cannot be subjected to high or low extreme temperatures, low air pressure at high altitude during use, storage or transportation.
 - Replacement of a battery with an incorrect type that can result in an explosion or the leakage of flammable liquid or gas.
 - Disposal of a battery into fire or a hot oven, or mechanically crushing or cutting of a battery, that can result in an explosion.
 - Leaving a battery in an extremely high temperature surrounding environment that can result in an explosion or that leakage of flammable liquid or gas.
 - A battery subjected to extremely low air pressure that may result in an explosion or the leakage of flammable liquid or gas.
 - Attention should be drawn to the environmental aspects of battery disposal.

INSTALLATION

- Unpack all parts and remove protective material.
- Do not connect the unit to the mains before checking the mains voltage and before all other connections have been made.

LOCATION OF CONTROLS



CONTENTS

LOCATION OF CONTROLS

1. Speaker
2. LCD Display
3. Volume/Scroll -/+
4. Dimmer
5. P1
6. P2
7. P3
8. P4
9. Preset
10. Power/Mode
11. Scan
12. Menu/Info/Back
13. P+/TU+
14. P-/TU-
15. Alarm
16. Antenna
17. Aux in Jack
18. DC in

CONTENTS

ACCRRSORIES

AC adaptor



User Manual



POWER SUPPLY

Connect 5V 1A Adapter power cable to DC jack on the radio.
Press "POWER" button to turn the device on from standby mode.
Press "MODE" button to DAB, FM or Aux modes.
Hold "POWER" button back to standby mode.

DIMMER

Press "DIMMER" button to choose the backlight level: High, Medium, Low.

VOLUME

Tune "VOLUME+/-" knob to choose the volume level.

<<DAB OR FM RADIO CONTROL>>

ANTENNA

Extend and adjust the position of the antenna for the best reception.

FULL SCAN

Press "SCAN" button to do full scan in FM or DAB mode.
Some suitable signal stations are stored.
The first stored station will be broadcasting automatically after completing full scan.

MANUAL SCAN

Hold "TU+ or TU-" button to open the manual tune menu. Turn the "VOLUME+/-" knob to select the frequency.

PRESET RECALL

Press "P+ or P-" button to recall the saved stations
Press "PRESET" button to recall the station from 1 to 30 (FM = 30 stations, DAB = 30 stations)

PRESET STORE

Hold "PRESET" button to save the station from 1 to 30 (FM = 30 stations, DAB = 30 stations)

QUICK PRESET STORE & RECALL

Hold "P1, P2, P3 or P4" button to save the station.
Press "P1, P2, P3 or P4" button to recall the station.

FM INFORMATION

Press "INFO" button show some information: Radio text, PTY, Name, Mono or Today Date

DAB INFORMATION

Press "INFO" button to show some information: Radio Text scrolling, Signal strength, Program type, Multiplex Name, Bit rate, Frequency or Today Date

AUX-IN

Collect the Aux-in jack on the device and the external audio player through the 3.5mm jack Aux-in cable (not included)

Volume control by the device and external audio player.

Other music controls are managed by the external audio source only.

<< GENERAL MENU CONTROL >>

Hold "MENU" button into menu in Standby, DAB, FM or Aux mode.

Press "BACK" button back to last page.

Tune "SCROLL+/-" knob to choose the selection.

Press "ENTER" button to confirm the selection.

*Different menu options in Standby, DAB, FM or Aux mode.

*The asterisk behind the option indicates the current setting

SYSTEM

Select the option: Sleep, Alarm, Time, Backlight, Language, Factory Reset or SW version.

SLEEP

Select the option: Off, 15, 30, 45, 60 or 90 minutes.

ALARM

*Moreover, press "ALARM" button to active the alarm setting.

Select the option in process:

Alarm 1 or 2

On Time

Duration Time: 15, 30, 45 60 or 90 minutes

Source: DAB, FM or Buzzer

Cycle: Daily, Once, Weekends or Weekdays

Date: DD-M-YYYY (*Once only)

Volume Level

On or OFF

- *Alarm 1 and Alarm 2 icon will be displayed once alarm on
- *The volume will gradually be increasing until the set volume level.
- *The corresponding alarm icon will be flashing on display.

SNOOZE/ALARM OFF

1. Press "SNOOZE" button to stop the alarm temporarily.
2. The alarm will be active again after 9 minutes.
3. Press "POWER" or "ALARM" button to cancel the snooze and alarm function.

TIME

Select the option:

Time/Date

Auto update: Any, DAB, FM or No update

12/24 hour

Date format: DD-MM-YYY or MM-DD-YYYY

BACKLIGHT

Select the option:

Timeout: 10, 20, 30, 45, 60, 90, 120, 180 sec or On

On level: High, Medium, Low

Dim level: High, Medium, Low

LANGUAGE

Select the option: English, German, Italian, French, Dutch, Spanish or Polish.

FACTORY RESET

Select "YES or No" to back the defaulted setting.

SW VERSION

Check the software version.

<<DAB MENU>>

Select the option: Full scan, Manual tune, DRC, Prune, Announcement or system.

FULL SCAN

Auto scan and save radio stations

MANUAL TUNE

Scan the specific radio frequency manually

DRC (Dynamic Range Control)

Select the option to do radio compensation: DRC off, DRC low, DRC high

PRUNE

Select "YES or No" to remove invalid "?" stations after auto scan.

ANNOUNCEMENT

Select the option: Off, On, No TA or Only TA.

<<FM MENU>>

Select the option: Scan setting, Audio setting or system.

SCAN SETTING

Select the option: All Stations or Strong station only

AUDIO SETTING

Select the option: Stereo allowed or Forced mono

TECHNICAL SPECIFICATIONS

Frequency range:

FM 88 -108 MHz

DAB / DAB +: 174.928 ~ 239.200 MHz

30 memory preset station = DAB

30 memory preset station = FM

AC Adaptor: Input: AC 100-240V ~ 50 / 60Hz 0.3A Max

Output: DC 5V 1A

Power consumption: 5W

Unit dimensions: 155 (L) x 80 (D) x 75 (H) cm

Weight: 0.32Kg (excluding adapter)

Power Adaptor Specification

Information	Value and and precision
Manufacturers name or trade mark, commercial registration and address	DongGuan Obelieve Electronic Co., Ltd
	Huazhaoxin Industrial Park B-4/F, Golden Phoenix Industrial Zone, Fenggan Town, Donggyan, GuangDong Province, People's Republic of China
Model Identifier	OBL-0501000E
Input voltage	100V-240V
Input AC frequency	50/60HZ
Output voltage	5.0V
Output current	1A
Output Power	5.0W
Average active efficiency	73.62
Efficiency at low load (10%)	76.52
No load Power consumption	0.081W

Guarantee

Commaxx B.V. offers service and warranty in accordance to European law, which means that in case of repairs (both during and after the warranty period) you should contact your local dealer.

Important note: It is not possible to send products that need repairs to Commaxx B.V. directly.

This device is not suitable for professional use. In case of professional use, all warranty obligations of the manufacturer will be voided.

Disclaimer

Updates to Firmware and/or hardware components are made regularly. Therefore some of the instruction, in this guide for illustration purposes only and may not apply to particular situation. No legal right or entitlements may be obtained from the description made in this manual.



Disposal of the Old Device

This symbol indicates that the relevant electrical product or battery should not be disposed of as general household waste in Europe. To ensure the correct waste treatment of the product and battery, please dispose them in accordance to any applicable local laws of requirement for disposal of electrical equipment or batteries. In so doing, you will help to conserve natural resources and improve standards of environmental protection in treatment and disposal of electrical waste (Waste Electrical and Electronic Equipment Directive).

DECLARATION OF CONFORMITY

Hereby, Commaxx declares that the radio equipment type [Lenco CR-625] is in compliance with directive 2014/53/EU. The full text of the EU declaration of conformity is available at the following internet address:

https://commaxx-certificates.com/doc/cr-625_doc.pdf

Type RF	Frequency range (MHz)	Power (dBm)
DAB	174-240	-
FM	87.5-108	-

Service

For more information and helpdesk support, please visit www.lenco.com

Commaxx B.V. Wiebachstraat 37, 6466 NG Kerkrade, The Netherlands

VOORZICHTIG:

Het gebruik van bedieningen of afstellingen of het uitvoeren van procedures anders dan hierin gespecificeerd, kan leiden tot blootstelling aan gevaarlijke straling.

VOORZORGSMAATREGELEN VÓÓR GEBRUIK

NEEM DEZE INSTRUCTIES IN ACHT:

1. Bedek of blokkeer geen van de ventilatieopeningen. Als u het apparaat op een schap plaatst, dient u voor 5 cm (2") vrije ruimte rondom het gehele apparaat te zorgen.
2. Installeer in overeenstemming met de meegeleverde gebruikershandleiding.
3. Houd het apparaat uit de buurt van warmtebronnen zoals radiatoren, kachels, fornuizen, kaarsen en andere warmtegenererende producten of open vuur. Het apparaat kan alleen worden gebruikt in gematigde klimaten. Extreem koude of warme omgevingen dienen te worden vermeden. Bedrijfstemperatuur tussen 0 en 35 °C.
4. Gebruik het apparaat niet in de buurt van krachtige magnetische velden.
5. Elektrostatische ontlading kan de normale werking van dit apparaat verstoren. Als dit het geval is, stelt u het apparaat gewoon opnieuw in en start u het opnieuw. Volg hierbij de handleiding. Wees voorzichtig tijdens bestandsoverdracht en voer dit uit in een omgeving zonder statische interferentie.
6. Waarschuwing! Steek geen voorwerpen in het product via de ventilatie- of andere openingen. Er is hoge spanning aanwezig in het product en als u er een voorwerp insteekt, kan dat tot elektrische schokken en/of kortsluiting van de interne onderdelen leiden. Laat om dezelfde reden geen water of vloeistof op het product terechtkomen.
7. Gebruik het apparaat niet in natte of vochtige ruimtes zoals badkamers, keukens met veel stoom of in de buurt van zwembaden.
8. Stel het apparaat niet bloot aan druppels of spetters en zorg ervoor dat er geen met vloeistof gevulde voorwerpen, zoals vazen, op of in de buurt van het apparaat worden geplaatst.
9. Gebruik dit apparaat niet als er condensatie kan optreden. Wanneer het apparaat in een warme en vochtige kamer wordt gebruikt, dan kunnen er waterdruppeltjes of condensatie binnenin het apparaat worden gevormd waardoor het apparaat mogelijk niet meer goed werkt; houd en apparaat 1 of 2 uur op UIT staan voordat u de voeding weer inschakelt: het apparaat dient droog te zijn voordat deze stroom ontvangt.
10. Al is dit apparaat met de grootste zorg vervaardigd en meerdere keren gecontroleerd voordat het de fabriek verliet, toch is het mogelijk dat er problemen optreden, zoals bij alle elektrische apparaten. Als u rook, overmatige warmteontwikkeling of andere onverwachte verschijnselen constateert, dient u onmiddellijk de stekker uit het stopcontact te trekken.
11. Dit apparaat moet van stroom worden voorzien door een bron zoals gespecificeerd op het nominale specificatielabel. Als u niet zeker weet welk type stroomvoorziening in uw huis wordt gebruikt, neem dan contact op met uw dealer of het plaatselijke energiebedrijf.
12. Houd uit de buurt van dieren. Sommige dieren houden ervan om aan voedingskabels te bijten.
13. Gebruik een zachte, droge doek om het apparaat schoon te maken. Gebruik geen oplosmiddelen of vloeistoffen op benzinebasis.
U kunt een vochtige doek met verdund schoonmaakmiddel gebruiken om hardnekkige vlekken te verwijderen.
14. De leverancier is niet verantwoordelijk voor schade of verlies van gegevens veroorzaakt door storing, misbruik, modificatie van het apparaat of vervanging van de batterij.
15. Verbreek de verbinding niet terwijl het apparaat bezig is met formatteren of bestandsoverdracht. Gegevens kunnen anders corrupt of verloren raken.
16. Als het apparaat een USB-afspeelfunctie heeft, moet de USB-geheugenstick rechtstreeks in het apparaat worden gestoken. Gebruik geen USB-verlengsnoer, omdat deze interferentie kan veroorzaken waardoor uw gegevens verloren kunnen gaan.
17. Het nominale specificatielabel is te vinden op het onder- of achterpaneel van het apparaat.
18. Dit product is niet bestemd voor gebruik door personen (waaronder kinderen) met verminderde fysieke, zintuiglijke of mentale capaciteiten, of met een tekort aan kennis en ervaring, tenzij een persoon verantwoordelijk voor hun veiligheid toezicht houdt of instructies heeft gegeven voor het correcte gebruik van het apparaat.

19. Dit product is uitsluitend bedoeld voor niet-professioneel gebruik en niet voor commercieel of industrieel gebruik.
20. Zorg ervoor dit apparaat op een stabiele plek te plaatsen. Beschadigingen veroorzaakt door het gebruik van dit apparaat in een onstabiele positie, trillingen of schokken of door het niet opvolgen van andere waarschuwingen of voorzorgsmaatregelen beschreven in deze gebruikershandleiding, worden niet gedekt door de garantie.
21. Verwijder nooit de behuizing van dit apparaat.
22. Plaats dit apparaat nooit op andere elektrische apparatuur.
23. Houd plastic zakken uit de buurt van kinderen.
24. Gebruik alleen uitbreidingen/accessoires gespecificeerd door de fabrikant.
25. Laat alle reparaties over aan bevoegd onderhoudspersoneel. Reparatie is vereist wanneer het apparaat op enigerlei wijze is beschadigd, zoals een beschadigde voedingskabel of stekker, wanneer vloeistof is gemorst of voorwerpen in het apparaat zijn gevallen, wanneer het apparaat is blootgesteld aan regen of vocht, niet normaal functioneert of is gevallen.
26. Langdurige blootstelling aan harde geluiden van persoonlijke muzikspelers kan leiden tot tijdelijk of permanent gehoorverlies.
27. Als het product wordt geleverd met een voedingskabel of AC-stroomadapter:
 - Als er problemen optreden, koppel de AC-voedingskabel dan los en laat reparaties over aan bevoegd personeel.
 - Niet op de stroomadapter gaan staan of deze indrukken. Wees zeer voorzichtig, vooral in de buurt van de stekkers en waar de kabel uit het apparaat komt. Plaats geen zware voorwerpen op de stroomadapter, om beschadiging ervan te voorkomen. Houd het gehele apparaat buiten bereik van kinderen! Wanneer kinderen met de voedingskabel spelen, kunnen zij ernstig letsel oplopen.
 - Koppel dit apparaat los tijdens onweer of wanneer deze voor een lange periode niet wordt gebruikt.
 - Het stopcontact moet in de buurt van de apparatuur zijn geïnstalleerd en eenvoudig te bereiken zijn.
 - Zorg ervoor stopcontacten of verlengsnoeren niet te overbelasten. Overbelasting kan tot brand of elektrische schokken leiden.
 - Apparaten met een klasse 1 constructie moeten worden aangesloten op een stopcontact met randaarde.
 - Apparaten met een klasse 2 constructie vereisen geen aardverbinding.
 - Houd altijd de stekker vast wanneer u deze uit het stopcontact trekt. Trek niet aan de voedingskabel. Dit kan anders een kortsluiting veroorzaken.
 - Gebruik geen beschadigde voedingskabel of stekker of een los stopcontact. Dit kan anders leiden tot brand of elektrische schokken.
28. Als het product een afstandsbediening met knoop-/celbatterijen bevat of daarmee wordt geleverd:

Waarschuwing:

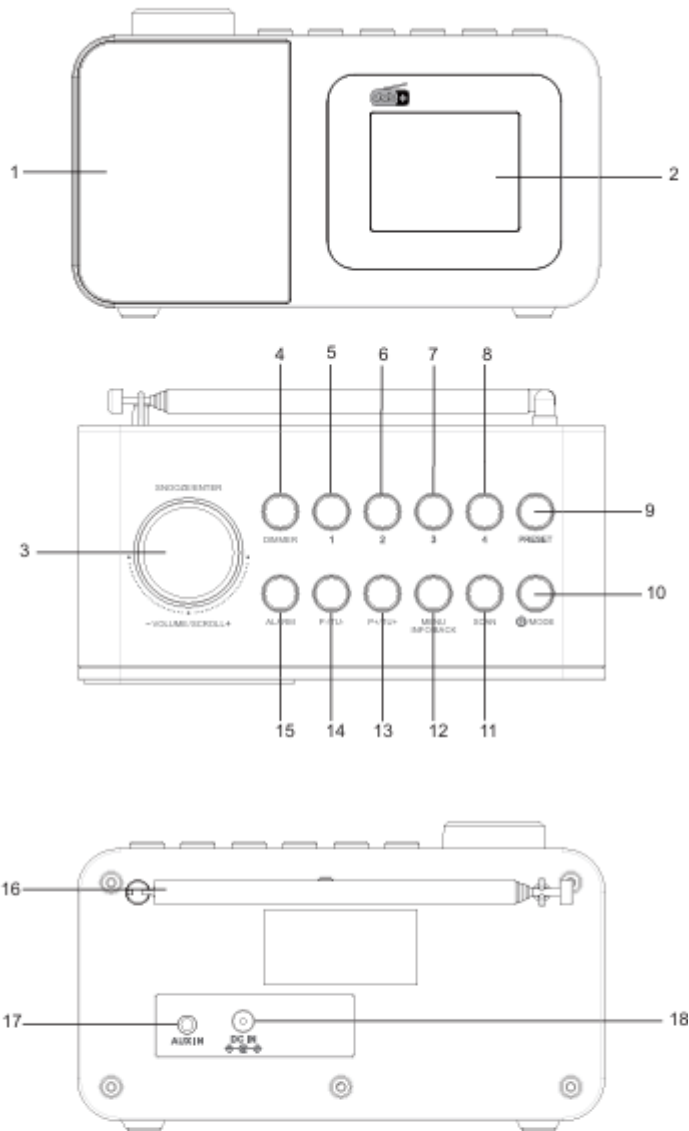
 - "Batterij niet inslikken, gevaar op chemische brandwonden" of soortgelijke werking.
 - [De afstandsbediening meegeleverd met] Dit product bevat een knoop-/celbatterij. Als de batterij wordt ingeslikt, kan deze in slechts 2 uur ernstige en zelfs fatale interne brandwonden veroorzaken.
 - Houd zowel nieuwe als verbruikte batterijen uit de buurt van kinderen.
 - Als het batterijvak niet goed sluit, gebruik het product dan niet langer en houd het uit de buurt van kinderen.
 - Als u denkt dat batterijen zijn ingeslikt of in een lichaamsdeel zijn geplaatst, dient u onmiddellijk medische hulp in te roepen.
29. Waarschuwing m.b.t. het gebruik van batterijen:
 - Risico op ontploffing als de batterij incorrect is geïnstalleerd. Vervang alleen door hetzelfde of een gelijkwaardig type.
 - Stel de batterij niet bloot aan extreem hoge of lage temperaturen of een lage luchtdruk op grote hoogte tijdens gebruik, opslag of transport.
 - Vervanging van een batterij door een incorrect type kan leiden tot een ontploffing of de lekkage van ontvlambare vloeistoffen of gas.
 - Verwijdering van een batterij in vuur of een hete oven of het mechanisch verpletteren of snijden van een batterij kan leiden tot een ontploffing.

- Laat een batterij nooit achter in omgevingen met extreem hoge temperaturen, anders kan dit leiden tot een ontploffing of de lekkage van ontvlambare vloeistoffen of gas.
- Stel een batterij nooit bloot aan een extreem lage luchtdruk, anders kan dit leiden tot een ontploffing of de lekkage van ontvlambare vloeistoffen of gas.
- Houd rekening met de impact op het milieu bij het afdanken van batterijen.

INSTALLATIE

- Pak alle onderdelen uit en verwijder het beschermende materiaal.
- Sluit het apparaat niet aan op het lichtnet voordat de correcte netspanning is geverifieerd en alle andere aansluitingen tot stand zijn gebracht.

LOCATION OF CONTROLS



INHOUD

LOCATIE VAN DE BEDIENINGEN

1. Luidspreker
2. LCD-SCHERM
3. Volume/Scrollen +/-
4. Dimmer
5. P1
6. P2
7. P3
8. P4
9. Voorkeuze
10. Aan-Uit/Modus
11. SCANNEN
12. Menu/Info/Terug
13. P+/TU+
14. P-/TU-
15. Alarm
16. Antenne
17. Aux in-aansluiting
18. DC in

INHOUD

ACCESSOIRES

AC-adapter



Gebruikershandleiding



VOEDING

Sluit de 5V 1A-adapterkabel aan op de DC-aansluiting op de radio.

Druk op de knop "POWER (AAN/UIT)" om het apparaat vanuit de stand-bymodus in te schakelen.

Druk op de knop "MODE (MODUS)" voor de modi DAB, FM of Aux.

Houd de knop "POWER (AAN/UIT)" ingedrukt om terug te keren naar de stand-bymodus.

DIMMER

Druk op de knop "DIMMER" om het verlichtingsniveau van de achtergrond te kiezen:

Hoog/gemiddeld/laag.

VOLUME

Draai aan de knop "VOLUME+/-" om het volume te kiezen.

<<DAB OF FM RADIO-BEDIENING>>

ANTENNE

Verleng en pas de stand van de antenne aan voor de beste ontvangst.

VOLLEDIG SCANNEN

Druk op de knop "SCAN (SCANNEN)" om een volledige scan uit te voeren in de FM- of DAB-modus.

Enkele geschikte signaalstations zijn opgeslagen.

Nadat de volledige scan is voltooid, wordt het eerste opgeslagen station automatisch uitgezonden.

HANDMATIG SCANNEN

Houd de knop "TU+ or TU-" ingedrukt om het menu voor handmatig afstemmen te openen.

Draai aan de knop "VOLUME+/-" om de frequentie te selecteren.

GEHEUGEN OPROEPEN

Druk op de knop "P+ or P-" om de opgeslagen stations op te roepen

Druk op de knop "PRESET (GEHEUGEN)" om het station van 1 tot 30 op te roepen (FM = 30 stations, DAB = 30 stations)

GEHEUGEN OPSLAAN

Houd de knop "PRESET (GEHEUGEN)" ingedrukt om het station van 1 tot 30 op te slaan (FM = 30 stations, DAB = 30 stations)

SNEL GEHEUGEN OPSLAAN & OPROEPEN

Houd de knop "P1, P2, P3 or P4" ingedrukt om het station op te slaan.

Druk op de knop "P1, P2, P3 or P4" om het station op te roepen.

INFORMATIE FM

Druk op de knop "INFO" om wat informatie te tonen: Radiotekst, PTY, Naam, Mono of Datum Vandaag

DAB-INFORMATIE

Druk op de knop "INFO" om wat informatie te tonen: Radiotekst scrollen, Signaalsterkte, Programmatype, Multiplexnaam, Bitsnelheid, Frequentie of Datum Vandaag

AUX-INGANG

Verbind de Aux-in-aansluiting op het apparaat en de externe audiospeler via de 3,5 mm Aux-in-kabel (niet meegeleverd)

Volumeregeling via het apparaat en de externe audiospeler.

Andere muziekbedieningen worden alleen door de externe audiobron beheerd.

<< ALGEMENE MENUBEDIENING >>

Houd de knop "MENU" ingedrukt om het menu te openen in de modus stand-by, DAB, FM of Aux.

Houd de knop "BACK (TERUG)" om terug te gaan naar de laatste pagina.

Draai aan de knop "SCROLL+/- (SCROLLEN +/-)" om de selectie te kiezen.

Druk op de knop "ENTER (OPENEN)" om de selectie te bevestigen.

* Verschillende menuopties in de modus stand-by, DAB, FM of Aux.

* Het sterretje achter de optie geeft de huidige instelling aan

SYSTEEM

Selecteer de optie: Slapen, Alarm, Tijd, Achtergrondverlichting, Taal, Fabrieksinstellingen herstellen of SW-versie.

SLAPEN

Selecteer de optie: Uit, 15, 30, 45, 60 of 90 minuten.

ALARM

* Druk bovendien op de knop "ALARM" om de alarminstelling te activeren.

Selecteer de optie in het proces:

Alarm 1 of 2

Tijd aan

Tijdsduur: 15, 30, 45, 60 of 90minuten

Bron: DAB, FM of Zoemer

Cyclus: Dagelijks, Eenmaal, Weekends of Weekdagen

Datum: DD-M-JJJJ (* Eenmalig)

Volumeniveau

Aan of uit

* Alarm 1 en Alarm 2-pictogrammen worden weergegeven zodra het alarm is ingeschakeld

* Het volume zal geleidelijk toenemen tot het ingestelde volumeniveau.

* Het bijbehorende alarmpictogram knippert op het display.

SLUIMER/ALARM UIT

1. Druk op de toets "SNOOZE (SLUIMEREN)" om het alarm tijdelijk te stoppen.
2. Het alarm wordt na 9 minuten weer actief.
3. Druk op de toets "POWER(AAN/UIT)" of "ALARM" om de sluimer- en alarmfunctie te annuleren.

TIJD

Selecteer de optie:

Tijd/Datum

Automatisch bijwerken: Alle, DAB, FM of Geen update

12/24 uur

Datumformaat: DD-MM-JJJJ of MM-DD-JJJJ

ACHTERGRONDVERLICHTING

Selecteer de optie:

Time-out: 10, 20, 30, 45, 60, 90, 120, 180 sec of Aan

Niveau aan: Hoog/gemiddeld/laag

Dim-niveau: Hoog/gemiddeld/laag

TAAL

Selecteer de optie: Engels, Duits, Italiaans, Frans, Nederlands, Spaans of Pools.

HERSTELLEN NAAR FABRIEKSINSTELLING

Selecteer "YES or No (JA of Nee)" om de standaardinstelling te herstellen.

SW-VERSIE

Om de softwareversie te controleren.

<<DAB MENU>>

Selecteer de optie: Volledige scan, handmatig afstemmen, DRC, Opruimen, Aankondiging of systeem.

VOLLEDIG SCANNEN

Automatisch radiostations scannen en opslaan

HANDMATIF AFSTEMMEN

Scan handmatig de specifieke radiofrequentie

DRC (Dynamische bereikcompressie)

Selecteer de optie om radiocompensatie uit te voeren: DRC uit, DRC laag, DRC hoog

OPRUIMEN

Selecteer "YES or No (Ja of Nee)" om ongeldige "?" stations te verwijderen na automatisch scannen.

AANKONDIGING

Selecteer de optie: Uit, Aan, Geen TA of Alleen TA.

<<FM MENU>>

Selecteer de optie: Scan-instelling, audio-instelling of systeem.

SCAN-INSTELLING

Selecteer de optie: Alle stations of Alleen sterke stations

AUDIO-INSTELLING

Selecteer de optie: Stereo toegestaan of gedwongen mono

TECHNISCHE SPECIFICATIES

Frequentiebereik:

FM 88 - 108 MHz

DAB/DAB +: 174,928 ~ 239,200 MHz

30 geheugenstations = DAB

30 geheugenstations = FM

AC/DC-adapter: Ingang: AC 100-240 V ~ 50 / 60Hz 0,3A Max

Uitgang: DC 5 V, 1 A

Stroomverbruik: 5 W

Afmetingen van apparaat: 155 (L) x 80 (D) x 75 (H) cm

Gewicht: 0,32 Kg (exclusief adapter)

Specificaties voedingsadapter

Informatie	Waarde en precisie
Naam of handelsmerk van de fabrikant, handelsregistratie en adres	DongGuan Obelieve Electronic Co., Ltd
	Huazhaoxin Industrial Park B-4/F, Golden Phoenix Industrial Zone, Fenggan Town, Donggyan, GuangDong Province, People's Republic of China
Modelaanduiding	OBL-0501000E
Ingangsspanning	100 V-240 V
AC-ingangsfrequentie	50/60 Hz
Uitgangsspanning	5,0 V
Uitgangsstroom	1 A
Uitgangsvermogen	5,0 W
Gemiddelde actieve efficiëntie	73,62
Efficiëntie bij lage belasting (10%)	76,52
Opgenomen vermogen bij geen belasting	0,081 W

Garantie

Commaxx B.V. verleent service en garantie in overeenstemming met de Europese wetgeving, wat betekent dat u bij reparaties (zowel tijdens als na de garantieperiode) contact dient op te nemen met uw lokale dealer.

Belangrijke opmerking: Het is niet mogelijk om te repareren producten direct naar Commaxx B.V. te sturen.

Dit apparaat is niet geschikt voor professioneel gebruik. Bij professioneel gebruik, vervallen alle garantieverplichtingen van de fabrikant.

Disclaimer

Er worden regelmatig updates voor de firmware en/of hardwarecomponenten uitgegeven. Daarom is een deel van de instructies, alleen ter illustratie en zijn ze mogelijk niet van toepassing op een specifieke situatie.

Aan de beschrijving in deze handleiding kunnen geen wettelijke rechten of aanspraken worden ontleend.



Afvoer van het oude apparaat

Dit symbool geeft aan dat het betreffende elektrische product of de batterij in Europa niet als algemeen huishoudelijk afval mag worden afgevoerd. Om ervoor te zorgen dat het product en de batterij op de juiste manier worden verwerkt, dient u deze af te danken in overeenstemming met de toepasselijke lokale wetgeving met betrekking tot de verwijdering van elektrische apparatuur of batterijen. U helpt hierdoor natuurlijke hulpbronnen te behouden en de normen voor milieubescherming bij de behandeling en verwijdering van elektrisch afval te verbeteren (richtlijn afgedankte elektrische en elektronische apparatuur).

CONFORMITEITSVERKLARING

Hierbij verklaart Commaxx dat het type radioapparatuur [Lenco CR-625] voldoet aan richtlijn 2014/53/EU. De volledige tekst van de EU-conformiteitsverklaring is beschikbaar op het volgende internetadres:

https://commaxx-certificates.com/doc/cr-625_doc.pdf

Type RF	Frequentiebereik (MHz)	Vermogen (dBm)
DAB	174-240	-
FM	87,5-108	-

Service

Bezoek voor meer informatie en helpdeskondersteuning www.lenco.com

Commaxx B.V. Wiebachstraat 37, 6466 NG Kerkrade, The Netherlands

VORSICHT:

Eine andere als die hier beschriebene Benutzung der Bedienelemente oder Einstellung oder Durchführung von Abläufen kann zu einer Aussetzung gefährlicher Strahlung führen.

VORSICHTSMASSNAHMEN VOR DER BENUTZUNG

BEFOLGEN SIE IMMER FOLGENDE ANWEISUNGEN:

1. Blockieren oder bedecken Sie keine Lüftungsöffnungen. Wenn Sie das Gerät auf ein Regal stellen, lassen Sie um das gesamte Gerät 5 cm Freiraum.
2. Stellen Sie das Gerät entsprechend den Anweisungen der mitgelieferten Bedienungsanleitung auf.
3. Halten Sie das Gerät von Hitzequellen wie Radiatoren, Heizern, Öfen, Kerzen oder anderen hitzeerzeugenden Produkten oder offenen Flammen fern. Das Gerät darf nur bei gemäßigttem Klima verwendet werden. Sehr kalte oder heiße Umgebungen sind zu vermeiden. Die Betriebstemperatur liegt zwischen 0 °C und 35 °C.
4. Meiden Sie bei der Benutzung des Produkts die Nähe starker Magnetfelder.
5. Elektrostatische Entladungen können die normale Benutzung dieses Gerätes stören. Sollte dies geschehen, setzen Sie das Gerät zurück und starten Sie es dann entsprechend den Anweisungen dieser Bedienungsanleitung neu. Gehen Sie besonders bei Datenübertragungen mit dem Gerät vorsichtig um und führen Sie diese nur in einer anti-elektrostatischen Umgebung aus.
6. Warnung! Niemals Gegenstände durch die Lüftungsschlitze oder Öffnungen in das Gerät stecken. In diesem Gerät fließt Hochspannung und das Hineinstecken von Gegenständen kann zu elektrischem Schock und/oder Kurzschluss interner elektrischer Bauteile führen. Spritzen/gießen Sie aus dem gleichen Grund weder Wasser noch andere Flüssigkeiten auf das Gerät.
7. Benutzen Sie das Gerät nicht in nasser oder feuchter Umgebung wie Bad, Dampfküche oder in der Nähe von Schwimmbecken.
8. Das Gerät darf weder Tropf- noch Spritzwasser ausgesetzt werden und es dürfen keine mit Flüssigkeit gefüllten Behälter wie z. B. Vasen auf das Gerät oder in der Nähe des Gerätes gestellt werden.
9. Benutzen Sie das Gerät nicht, wenn Kondensation entstehen kann. Wenn Sie das Gerät in einem warmen, feuchten Raum mit Dampf benutzen, können Wassertropfen oder Kondensation in das Gerät eindringen und u. U. zu Fehlfunktionen des Gerätes führen. Schalten Sie in diesem Fall das Gerät für 1 bis 2 Stunden aus, bevor Sie es erneut einschalten, wobei Sie darauf achten sollten, dass das Gerät vollständig getrocknet ist, bevor Sie es wieder einschalten.
10. Obwohl dieses Gerät unter größter Sorgfalt hergestellt und vor Auslieferung mehrmals überprüft wurde, können trotzdem wie bei jedem anderen elektrischen Gerät auch Probleme auftauchen. Trennen Sie das Gerät bei Rauchentwicklung, starker Hitzeentwicklung oder jeder anderen unnatürlichen Erscheinung sofort vom Stromnetz.
11. Dieses Gerät ist durch eine Stromquelle wie auf dem Typenschild angegeben zu betreiben. Halten Sie bei Unsicherheiten über die Art Ihrer Stromversorgung in Ihrer Wohnung Rücksprache mit Ihrem Händler oder Ihrem Stromversorger.
12. Halten Sie das Gerät von Haustieren fern. Einige Tiere nagen gerne an Netzkabeln.
13. Benutzen Sie für die Reinigung ein weiches, trockenes Tuch. Benutzen Sie niemals Lösungsmittel oder Flüssigkeiten auf Ölbasis.
Benutzen Sie zum Entfernen hartnäckiger Flecken ein feuchtes Tuch mit mildem Reinigungsmittel.
14. Der Hersteller haftet nicht für Beschädigungen oder Datenverluste aufgrund von Fehlfunktion, Zweckentfremdung oder Modifikation des Gerätes oder aufgrund des Wechsels der Batterie.
15. Unterbrechen Sie die Verbindung nicht während einer Formatierung oder einer Datenübertragung. Bei Unterbrechung drohen Datenverlust und Datenbeschädigung.
16. Wenn das Gerät eine USB-Wiedergabefunktion besitzt, stecken Sie den USB-Stick direkt in das Gerät. Verwenden Sie kein USB-Verlängerungskabel, weil die erhöhte Störungsanfälligkeit zu Datenverlust führen kann.
17. Das Typenschild befindet sich an der Unter- oder Rückseite des Gerätes.
18. Dieses Gerät ist nicht zur Benutzung durch Personen (einschließlich Kinder) mit physischen, sensorischen oder mentalen Beeinträchtigungen oder ohne ausreichende Erfahrung vorgesehen, es sei denn, sie werden durch eine für ihre Sicherheit verantwortliche Person beaufsichtigt oder

- wurden in die ordnungsgemäße Bedienung des Gerätes durch eine für ihre Sicherheit verantwortliche Person eingewiesen.
19. Dieses Produkt ist nur für den nicht-professionellen Gebrauch und nicht für gewerbliche oder industrielle Zwecke bestimmt.
 20. Stellen Sie sicher, dass das Gerät in einer stabilen Position aufgestellt ist. Schäden, die durch Verwendung dieses Produkts in einer instabilen Position, durch Vibrationen, Stöße oder Nichtbeachtung der anderen in diesem Handbuch enthaltenen Warnungen und Sicherheitsmaßnahmen entstehen, werden nicht durch die Garantie abgedeckt.
 21. Entfernen Sie niemals das Gehäuse dieses Gerätes.
 22. Stellen Sie dieses Gerät niemals auf andere elektrische Geräte.
 23. Halten Sie Kinder von den Plastiktüten fern.
 24. Benutzen Sie nur vom Hersteller spezifizierte Erweiterungen/Zubehörteile.
 25. Lassen Sie alle Wartungs-/Reparaturarbeiten von qualifiziertem Servicepersonal ausführen. Reparatur/Wartung wird notwendig, wenn das Gerät in irgendeiner Weise wie beispielsweise am Netzkabel oder am Netzstecker beschädigt wurde oder wenn Flüssigkeit in das Gerät gelangt ist bzw. Gegenstände in das Gerät gefallen sind, das Gerät Regen oder Feuchtigkeit ausgesetzt war, es heruntergefallen ist oder nicht ordnungsgemäß funktioniert.
 26. Langes Hören lauter Töne aus einem Musikgerät kann zu zeitweiligem oder permanentem Hörverlust führen.
 27. Wenn zum Lieferumfang des Produkts ein Netzkabel oder ein Netzadapter gehört:
 - Wenn irgendwelche Probleme auftreten, trennen Sie das Gerät vom Stromnetz und setzen Sie sich anschließend mit einer qualifizierten Fachkraft in Verbindung.
 - Treten Sie nicht auf den Netzadapter und klemmen Sie ihn auch nicht ein. Seien Sie besonders im näheren Bereich des Netzsteckers und an der Stelle vorsichtig, an der das Netzkabel aus dem Gerät herausgeführt wird. Stellen Sie keine schweren Gegenstände auf den Netzadapter, da er dadurch beschädigt werden kann. Halten Sie das gesamte Gerät außerhalb der Reichweite von Kindern! Durch Spielen mit dem Netzkabel können sie sich ernsthafte Verletzungen zuziehen.
 - Trennen Sie das Gerät während eines Gewitters oder bei längerer Nichtbenutzung vom Stromnetz.
 - Die Netzsteckdose muss sich in der Nähe des Gerätes befinden und einfach zu erreichen sein.
 - Überlasten Sie Steckdosen und Verlängerungsleitungen nicht. Eine Überlastung kann zu Brandgefahr bzw. Stromschlag führen.
 - Geräte der Schutzklasse 1 müssen an eine Netzsteckdose mit Schutzleiter angeschlossen werden.
 - Geräte der Schutzklasse 2 benötigen keinen Schutzleiteranschluss.
 - Greifen Sie beim Abziehen von der Netzsteckdose am Netzstecker. Ziehen Sie ihn nicht durch Zerren am Kabel heraus. Das kann zu einem Kurzschluss führen.
 - Verwenden Sie weder ein beschädigtes Netzkabel noch einen beschädigten Netzstecker oder eine lockere Steckdose. Missachtung kann zu Brand oder Stromschlag führen.
 28. Wenn das Produkt mit einer Fernbedienung mit Batterien/Knopfzellen geliefert wird oder das Produkt eine derartige Fernbedienung umfasst:

Warnung:

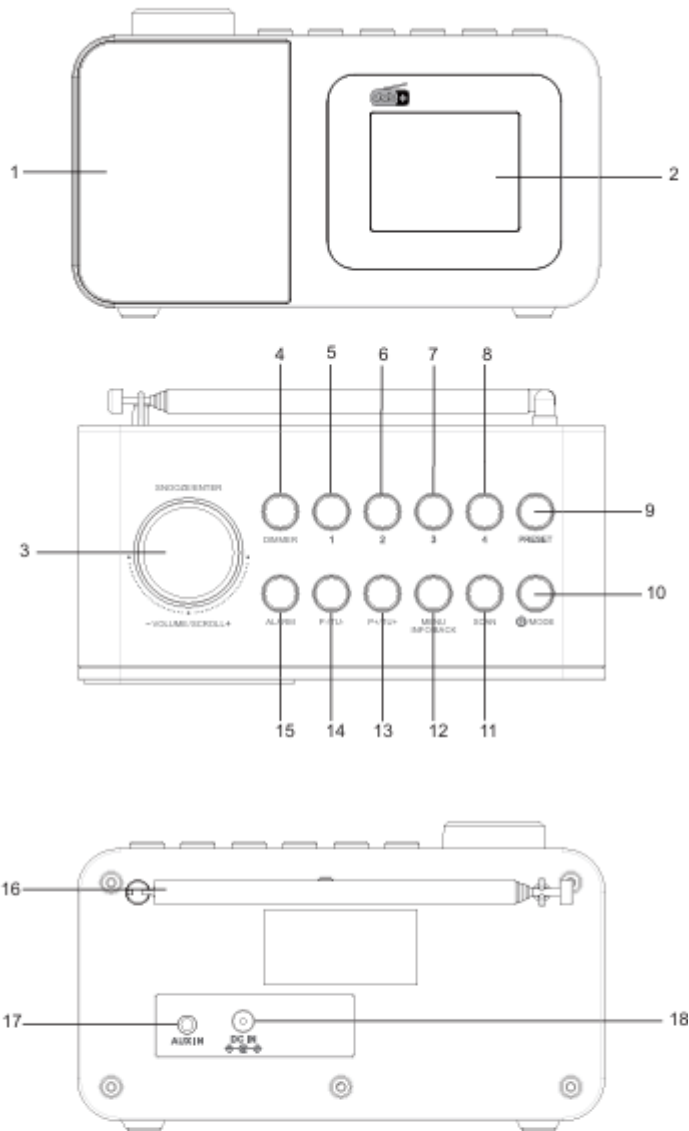
 - „Die Batterie nicht verschlucken – Verätzungsgefahr“ oder Ähnliches.
 - Die mit diesem Produkt [gelieferte Fernbedienung] enthält eine Knopfzelle. Das Verschlucken der Batterie kann innerhalb von nur 2 Stunden zu schwersten inneren Verbrennungen mit Todesfolge führen.
 - Halten Sie neue und gebrauchte Batterien von Kindern fern.
 - Falls sich das Batteriefach nicht richtig schließen lässt, stellen Sie die Benutzung des Gerätes ein und halten Sie es von Kindern fern.
 - Wenn Sie vermuten, dass Batterien verschluckt oder in eine Körperöffnung eingeführt worden sind, suchen Sie umgehend eine(n) Ärztin/Arzt auf.
 29. Warnhinweise bzgl. der Verwendung von Batterien:
 - Es besteht Explosionsgefahr, wenn die Batterie nicht ordnungsgemäß ersetzt wird. Tauschen Sie die Batterie nur gegen eine Batterie des gleichen Typs aus.

- Die Batterie darf während der Benutzung, Aufbewahrung oder des Transports weder sehr hohen oder sehr niedrigen Temperaturen noch niedrigem Luftdruck in großen Höhenlagen ausgesetzt werden.
- Die Auswechslung der Batterie mit einem falschen Batterietyp kann zum Explodieren der Batterie oder zum Entweichen von entflammbarem Gas oder Auslaufen von entflammbarer Flüssigkeit aus der Batterie führen.
- Die Entsorgung der Batterie in Feuer oder einem heißen Ofen oder das mechanische Zerkleinern oder Zerteilen der Batterie kann zu Explosionen führen.
- Das Verbleiben der Batterie in einer Umgebung mit sehr hohen Temperaturen kann zum Explodieren der Batterie oder zum Entweichen von entflammbarem Gas oder zum Auslaufen von entflammbarer Flüssigkeit aus der Batterie führen.
- Eine in einem sehr niedrigen Luftdruck ausgesetzte Batterie kann explodieren oder es kann aus einer in einem sehr niedrigen Luftdruck ausgesetzten Batterie entflammbares Gas entweichen oder entflammbare Flüssigkeit auslaufen.
- Legen Sie besonderes Augenmerk auf den ökologischen Aspekt der Batterieentsorgung.

INSTALLATION

- Packen Sie alle Teile aus und entfernen Sie danach die Schutzmaterialien.
- Schließen Sie das Gerät erst an das Stromnetz an, nachdem Sie die Netzspannung überprüft haben und alle anderen notwendigen Anschlüsse hergestellt sind.

LOCATION OF CONTROLS



MITGELIEFERTES ZUBEHÖR

LAGE DER BEDIENELEMENTE

1. Lautsprecher
2. LCD-Anzeige
3. Lautstärke/Scrollen -/+
4. Dimmer
5. P1
6. P2
7. P3
8. P4
9. Voreinstellung
10. EIN/AUS/Modus
11. Suchlauf
12. Menü/Info/Zurück
13. P+/TU+
14. P-/TU-
15. Wecker
16. Antenne
17. AUX-in-Buchse
18. DC in

MITGELIEFERTES ZUBEHÖR

ZUBEHÖR
AC-Netzteil



Bedienungsanleitung



STROMVERSORGUNG

Schließen Sie das Netzkabel des 5V 1A-Adapters an die DC-Buchse des Radios an.

Drücken Sie die Taste „POWER“ (EIN/AUS), um das Gerät aus dem Standby-Modus einzuschalten.

Drücken Sie die Taste „MODE“ (MODUS), um die Modi DAB, FM oder Aux auszuwählen.

Halten Sie die Taste „POWER“ (EIN/AUS) gedrückt, um in den Standby-Modus zu wechseln.

DIMMER

Drücken Sie die Taste „DIMMER“, um die Stufe der Hintergrundbeleuchtung auszuwählen:

Hoch, Mittel, Niedrig.

LAUTSTÄRKE

Drehen Sie den Drehknopf „VOLUME+/-“ (LAUTSTÄRKE+/-), um die Lautstärke einzustellen.

<<DAB- ODER FM-RADIOSTEUERUNG>>

ANTENNE

Fahren Sie die Antenne aus und richten Sie sie für den besten Empfang aus.

VOLLSTÄNDIGER SUCHLAUF

Drücken Sie die Taste „SCAN“ (SUCHLAUF), um einen vollständigen Scan im FM- oder DAB-Modus durchzuführen.

Einige geeignete Signalsender sind gespeichert.

Der erste gespeicherte Sender wird nach Abschluss des Suchlaufs automatisch ausgestrahlt.

MANUELLER SUCHLAUF

Halten Sie die Taste „TU+“ oder „TU-“ gedrückt, um das manuelle Abstimmungs Menü zu öffnen. Drehen Sie den Drehknopf „VOLUME+/-“ (LAUTSTÄRKE+/-), um die Frequenz zu wählen.

ABRUFEN VON SENDERSPEICHERPLÄTZEN

Drücken Sie die Taste „P+“ oder „P-“, um die gespeicherten Sender aufzurufen

Drücken Sie die Taste „PRESET“ (VOREINGESTELLT), um die Sender von 1 bis 30 abzurufen (FM = 30 Sender, DAB = 30 Sender)

BELEGEN VON SENDERSPEICHERPLÄTZEN

Halten Sie die Taste „PRESET“ (VOREINGESTELLT) gedrückt, um die Sender von 1 bis 30 zu speichern (FM = 30 Sender, DAB = 30 Sender)

SCHNELLSPEICHERN UND ABRUFEN VON SENDERN

Halten Sie die Taste „P1“, „P2“, „P3“ oder „P4“ gedrückt, um den Sender zu speichern.
Drücken Sie die Taste „P1“, „P2“, „P3“ oder „P4“ gedrückt, um den Sender abzurufen.

FM-INFORMATIONEN

Drücken Sie die Taste „INFO“, um einige Informationen anzuzeigen: Radiotext, PTY, Name, Mono oder Heutiges Datum

DAB-INFORMATIONEN

Drücken Sie die Taste „INFO“, um einige Informationen anzuzeigen: Blättern im Radiotext, Signalstärke, Programmtyp, Multiplexname, Bitrate, Frequenz oder Heutiges Datum

AUX-EINGANG

Verbinden Sie die Aux-in-Buchse des Geräts und den externen Audio-Player über das 3,5-mm-Klinken-Aux-in-Kabel (nicht im Lieferumfang enthalten)

Steuerung der Lautstärke über das Gerät und den externen Audioplayer.

Andere Musiksteuerelemente werden nur von der externen Audioquelle verwaltet.

<< ALLGEMEINE MENÜSTEUERUNG >>

Halten Sie die Taste „MENU“ (MENÜ) gedrückt, um in das Menü im Standby-, DAB-, FM- oder Aux-Modus zu gelangen.

Drücken Sie die Taste „BACK“ (ZURÜCK), um zur letzten Seite zurückzukehren.

Drehen Sie den Drehknopf „SCROLL+/-“ (SCROLLEN+/-), um die Auswahl zu markieren.

Drücken Sie die Taste „ENTER“ (EINGABE), um Ihre Auswahl zu bestätigen.

*Unterschiedliche Menüoptionen im Standby-, DAB-, FM- oder Aux-Modus.

*Das Sternchen hinter einer Option zeigt die aktuelle Einstellung an

SYSTEM

Option auswählen: Ruhezustand, Wecker, Uhrzeit, Hintergrundbeleuchtung, Sprache, Werksreset oder SW-Version.

RUHEZUSTAND

Option auswählen: Aus, 15, 30, 45, 60 oder 90 Minuten.

WECKER

*Drücken Sie außerdem die Taste „ALARM“ (WECKER), um die Weckereinstellung zu aktivieren.

Option im Betrieb auswählen:

Wecker 1 oder 2

Einschaltzeit

Dauer: 15, 30, 45, 60 oder 90 Minuten

Quelle: DAB, FM oder Summer

Zyklus: Täglich, Einmal, Wochenende, Wochentage

Datum: TT-MM-JJJ (*Nur einmalig)

Lautstärkestufe

Ein oder AUS

*Das Symbol für Alarm 1 und Alarm 2 wird angezeigt, sobald der Alarm eingeschaltet ist

*Die Lautstärke wird allmählich erhöht, bis der eingestellte Lautstärkepegel erreicht ist.

*Das entsprechende Alarmsymbol blinkt auf dem Display.

SCHLUMMERN/ALARM AUS

1. Drücken Sie die Taste „SNOOZE“ (SCHLUMMERN), um den Alarm vorübergehend anzuhalten.
2. Der Alarm ertönt nach 9 Minuten erneut.
3. Drücken Sie die Taste „POWER“ (EIN/AUS) oder „ALARM“ (WECKER), um die Schlummer- und Weckfunktion zu deaktivieren.

ZEIT

Option auswählen:

Zeit/Datum

Automatische Aktualisierung: Beliebig, DAB, FM oder keine Aktualisierung

12/24 Stunden

Datumsformat: TT-MM-JJJ oder MM-TT-JJJJ

HINTERGRUNDBELEUCHTUNG

Option auswählen:

Ausschaltzeit: 10, 20, 30, 45, 60, 90, 120, 180 Sekunden oder Ein

Stufe An: Hoch, Mittel, Niedrig

Stufe Dimmen: Hoch, Mittel, Niedrig

SPRACHE

Option auswählen: Englisch, Deutsch, Italienisch, Französisch, Niederländisch, Spanisch oder Polnisch.

RÜCKSETZEN AUF WERKSEINSTELLUNG

Wählen Sie „YES“ (JA) oder „No“ (Nein), um die Standardeinstellung wiederherzustellen.

SOFTWAREVERSION

Prüfen Sie die Softwareversion.

<<DAB-MENÜ>>

Option auswählen: Voller Suchlauf, manuelle Abstimmung, DRC, Ungültig, Durchsage oder System.

VOLLSTÄNDIGER SUCHLAUF

Automatische Suche und Speichern von Radiosendern

MANUELLES ABSTIMMEN

Manuelle Suche nach einer bestimmten Radiofrequenz

Dynamikbereichsteuerung

Wählen Sie die Option zur Durchführung der Radiokompensation: DRC aus, DRC niedrig, DRC hoch

BEREINIGEN

Wählen Sie „YES“ (JA) oder „No“ (Nein), um ungültige „?“-Sender nach dem automatischen Suchlauf zu entfernen.

Ankündigung

Option auswählen: Aus, Ein, Keine TA oder Nur TA.

<<FM-MENÜ>>

Option auswählen: Scan-Einstellung, Audio-Einstellung oder System.

SCANEINSTELLUNG

Option auswählen: Alle Sender oder nur starke Sender

AUDIOEINSTELLUNG

Option auswählen: Stereo erlaubt oder Forced Mono

TECHNISCHE DATEN

Frequenzbereich:

FM 88–108 MHz

DAB/DAB+: 174,928 bis 239,200 MHz

30 Senderspeicherplätze = DAB

30 Senderspeicherplätze = FM

AC-Netzteil: Eingangsspannung: AC 100–240 V ~ 50/60 Hz 0,3 A max.

Ausgang: DC 5 V 1 A

Leistungsaufnahme: 5 W

Geräteabmessung: 155 (L) x 80 (T) x 75 (H) cm

Gewicht: 0,32 kg (ohne Netzteil)

Spezifikationen des Netzteils

Information	Werte und detaillierte Angaben
Name des Herstellers oder der Handelsmarke, kommerzielle Zulassung und Anschrift	DongGuan Obelieve Electronic Co., Ltd
	Huazhaoxin Industrial Park B-4/F, Golden Phoenix Industrial Zone, Fenggan Town, Donggyan, Guangdong Province, Volksrepublik China
Modellidentifikator	OBL-0501000E
Eingangsspannung	100–240 V
AC-Eingangsfrequenz	50/60 Hz
Ausgangsspannung	5,0 V
Ausgangsstrom	1 A
Ausgangsleistung	5,0 W
Durchschnittliche Effizienz bei Normallast	73,62
Effizienz bei Niederlast (10 %)	76,52
Leistungsaufnahme bei Nulllast	0,081 W

Garantie

Commaxx B.V. bietet Leistungen und Garantien im Einklang mit Europäischem Recht. Setzen Sie sich deshalb im Falle von Reparaturen (sowohl während als auch nach Ablauf der Garantiezeit) mit Ihrem Fachhändler in Verbindung.

Wichtiger Hinweis: Es ist nicht möglich, Produkte für Reparaturen direkt an Commaxx B.V. zu schicken.

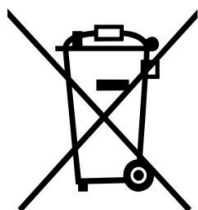
Dieses Gerät ist nicht für professionelle Zwecke geeignet. Falls das Gerät für professionelle Zwecke eingesetzt wird,

erlöschen alle Garantieverpflichtungen seitens des Herstellers.

Haftungsausschluss

Aktualisierungen der Firmware und/oder Hardware-Komponenten werden regelmäßig durchgeführt. Daher dienen einige der Anweisungen, in diesem Handbuch nur zur Illustration und treffen auf Ihre individuelle Situation möglicherweise nicht zu.

Aus der in diesem Handbuch getätigten Beschreibung können keine Rechtsansprüche oder Leistungsanforderungen geltend gemacht werden.



Entsorgung des altgerätes

Dieses Symbol zeigt an, dass das entsprechende Produkt oder dessen Akku/Batterie in Europa nicht mit dem normalen Hausmüll entsorgt werden darf. Um die ordnungsgemäße Abfallbehandlung des Produkts und dessen Akku/Batterie zu gewährleisten, müssen diese im Einklang mit allen anwendbaren örtlichen Vorschriften zur Entsorgung von Elektrogeräten und Akkus/Batterien entsorgt werden. Dadurch helfen Sie, natürliche Ressourcen zu schonen und Umweltschutzstandards zur Verwertung und Entsorgung von Altgeräten aufrecht zu halten (Richtlinie über Entsorgung Elektrischer und Elektronischer Altgeräte).

KONFORMITÄTSERKLÄRUNG

Hiermit erklärt Commaxx, dass das Funkgerät Typ [Lenco CR-625] der Richtlinie 2014/53/EU entspricht. Den vollständigen Text der EU-Konformitätserklärung finden Sie unter der folgenden Internetadresse:

https://commaxx-certificates.com/doc/cr-625_doc.pdf

Typ HF	Frequenzbereich (MHz)	Leistung (dBm)
DAB	174–240	-
UKW	87,5–108	-

Service

Besuchen Sie bitte für weitere Informationen und unseren Kundendienst unsere Homepage

www.lenco.com

Commaxx B.V. Wiebachstraat 37, 6466 NG Kerkrade, The Netherlands

ATTENTION :

L'utilisation de commandes ou de réglages ou l'exécution de procédures autres que celles spécifiées dans ce manuel peut entraîner une exposition à des rayonnements dangereux.

PRÉCAUTIONS AVANT UTILISATION

GARDEZ CES INSTRUCTIONS À L'ESPRIT :

1. Ne couvrez pas et n'obturez pas les ouvertures de ventilation. Lorsque l'appareil est placé sur une étagère, laissez un espace libre de 5 cm (2 po) autour de l'appareil.
2. L'installation doit être effectuée conformément au guide d'utilisation fourni.
3. Gardez l'appareil à l'écart des sources de chaleur telles que les radiateurs, les systèmes de chauffage, les cuisinières, les bougies et autres équipements générant de la chaleur ou une flamme nue. L'appareil ne doit être utilisé que dans un climat modéré. Les environnements extrêmement froids ou chauds doivent être évités. La température de fonctionnement doit se trouver entre 0 et 35 C.
4. Évitez d'utiliser l'appareil à proximité de champs magnétiques puissants.
5. Des décharges électrostatiques peuvent perturber le fonctionnement normal de cet appareil. Dans ce cas, réinitialisez et redémarrez l'appareil en suivant le guide d'utilisation. Pendant le transfert de fichiers, manipulez l'appareil avec précaution dans un environnement privé d'électricité statique.
6. Avertissement ! N'introduisez jamais un objet dans l'appareil par les ouvertures et fentes de ventilation. Des tensions élevées sont présentes dans l'appareil, l'insertion d'un objet peut entraîner une électrocution ou court-circuiter certains composants. Pour les mêmes raisons, ne versez pas d'eau ou de liquide sur l'appareil.
7. N'utilisez pas l'appareil dans des endroits humides tels qu'une salle de bain, une cuisine pleine de vapeur ou à proximité d'une piscine.
8. L'appareil ne doit pas être exposé à des écoulements ou des éclaboussures et aucun objet contenant un liquide, tel qu'un vase, ne doit être posé sur ou près de l'appareil.
9. N'utilisez pas cet appareil lorsque de la condensation est possible. Lorsque l'appareil est utilisé dans une pièce chaude et humide, des gouttelettes d'eau ou de la condensation peuvent se former à l'intérieur de l'appareil et affecter son fonctionnement adéquat. Si tel est le cas, laissez l'appareil hors tension pendant 1 ou 2 heures avant de le mettre en marche : l'appareil doit être sec avant toute remise en marche.
10. Cet appareil est fabriqué avec le plus grand soin et vérifié plusieurs fois avant la sortie de l'usine, cependant il est toujours possible, comme pour tout appareil électrique, que des problèmes surviennent. Si vous remarquez de la fumée, une accumulation excessive de chaleur ou tout autre phénomène inattendu, débranchez immédiatement la fiche de la prise électrique.
11. Cet appareil doit fonctionner avec la source d'alimentation indiquée sur la plaque signalétique. Si vous n'êtes pas sûr de votre type d'alimentation électrique, contactez le revendeur ou la compagnie d'électricité locale.
12. Gardez l'appareil à l'écart des animaux. Certains animaux aiment ronger les cordons d'alimentation.
13. Pour nettoyer l'appareil, utilisez un chiffon doux et sec. N'utilisez pas de solvant ni d'autre liquide à base de pétrole.
Pour enlever les taches tenaces, utilisez un chiffon humide imbibé d'une solution de détergent diluée.
14. Le fournisseur n'est pas responsable des dommages ou pertes de données causés par un dysfonctionnement, une utilisation abusive, une modification de l'appareil ou un remplacement de la batterie.
15. Ne coupez aucune connexion lorsque l'appareil effectue un formatage ou transfert de fichiers. Autrement, les données risquent d'être corrompues ou perdues.
16. Si l'appareil dispose d'une fonction de lecture USB, il faut brancher la clé USB directement sur l'appareil. N'utilisez pas de câble de rallonge USB, car cela peut provoquer des interférences susceptibles de causer la perte de données.
17. La plaque signalétique se situe en dessous ou à l'arrière de l'appareil.

18. Cet appareil n'est pas destiné à être utilisé par des personnes (enfants y compris) souffrant de handicaps physiques, sensoriels ou mentaux, ou manquant d'expérience et de connaissances, sauf si elles sont sous surveillance ou ont reçu des instructions sur l'utilisation correcte de l'appareil par la personne responsable de leur sécurité.
19. Cet appareil est réservé à un usage non professionnel, et non pas à un usage commercial ou industriel.
20. Vérifiez que l'appareil est en position stable. La garantie ne couvre pas les dégâts occasionnés par l'utilisation de cet appareil en position instable, soumis à des vibrations ou chocs, ou par le non-respect de tout autre avertissement ou précaution contenus dans ce guide d'utilisation.
21. N'ouvrez jamais cet appareil.
22. Ne placez jamais cet appareil sur un autre appareil électrique.
23. Ne laissez pas les sacs en plastique à la portée des enfants.
24. N'utilisez que des pièces/accessoires recommandés par le fabricant.
25. Confiez tout entretien à un personnel de service qualifié. Une réparation est nécessaire lorsque l'appareil a été endommagé de quelque façon que ce soit, par exemple lorsque le cordon d'alimentation ou sa fiche est endommagée, lorsqu'un liquide a été renversé ou des objets ont été introduits dans l'appareil, lorsqu'il a été exposé à la pluie ou à l'humidité, ne fonctionne pas correctement ou s'il est tombé.
26. Une exposition prolongée à la musique avec un volume élevé peut entraîner une perte auditive temporaire ou permanente.
27. Si l'appareil est livré avec un câble d'alimentation ou un adaptateur secteur :
 - En cas de problème, débranchez le cordon d'alimentation secteur et confiez l'entretien à un personnel qualifié.
 - Ne marchez pas sur l'adaptateur secteur et ne le pincez pas. Faites très attention, en particulier lorsque vous êtes à proximité des fiches et du point de sortie du câble. Ne placez aucun objet lourd sur l'adaptateur secteur, il pourrait l'endommager. Gardez l'appareil hors de portée des enfants ! Les enfants pourraient se blesser gravement s'ils jouent avec le cordon d'alimentation.
 - Débranchez cet appareil pendant les orages ou lorsqu'il n'est pas utilisé pendant une longue durée.
 - La prise secteur doit être installée près de l'appareil et être facilement accessible.
 - Ne surchargez pas les prises de courant ou les rallonges. Une surcharge peut entraîner un incendie ou une électrocution.
 - Un appareil de classe 1 doit être branché sur une prise secteur disposant d'une mise à la terre.
 - Les appareils de classe 2 ne nécessitent pas de mise à la terre.
 - Tirez toujours sur la fiche lorsque vous la retirez de la prise d'alimentation secteur. Ne tirez pas sur le cordon d'alimentation. Cela pourrait provoquer un court-circuit.
 - N'utilisez pas une fiche ou un cordon d'alimentation endommagés ni une prise desserrée. Cela pourrait entraîner une électrocution ou un incendie.
28. Si l'appareil comprend ou est livré avec une télécommande contenant des piles boutons/piles :

Avertissement :

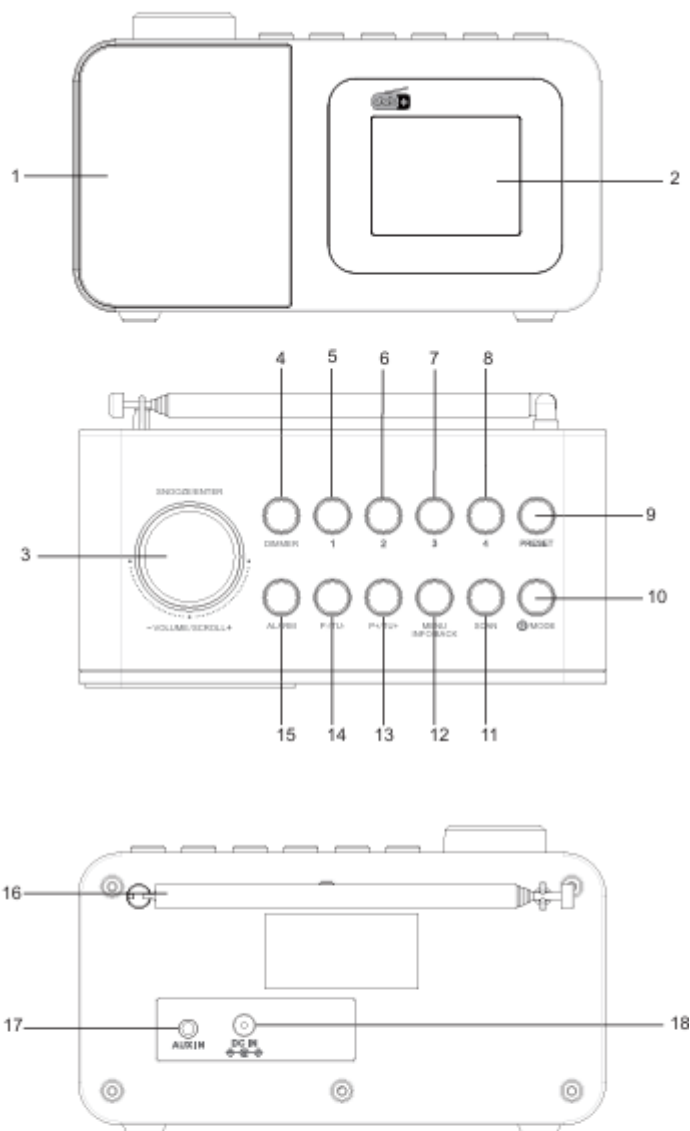
 - « N'avalez pas les piles ! Risque de brûlure chimique » ou équivalent.
 - [La télécommande fournie avec] cet appareil contient une pile bouton/pile. Si la pile bouton est avalée, elle peut causer des brûlures internes graves en seulement 2 heures et peut conduire à la mort.
 - Gardez les piles neuves et usées hors de la portée des enfants.
 - Si le compartiment à pile ne se ferme pas correctement, cessez d'utiliser l'appareil et gardez-le hors de portée des enfants.
 - Si vous pensez que les piles ont été avalées ou ingérées d'une manière ou d'une autre, consultez immédiatement un médecin.
29. Avertissements sur l'utilisation des piles :
 - Risque d'explosion si la pile n'est pas remplacée correctement. Ne les remplacez que par des piles du même type ou d'un type équivalent.
 - Les piles ne doivent pas être soumises à des températures extrêmement élevées ou basses, à une faible pression d'air à haute altitude pendant l'utilisation, le stockage ou le transport.
 - Tout remplacement de pile par un type incorrect peut entraîner une explosion ou une fuite de liquide ou de gaz inflammable.

- L'élimination d'une pile dans le feu ou dans un four chaud, l'écrasement ou le découpage mécanique peut entraîner une explosion.
- Laisser une pile dans un environnement à température extrêmement élevée peut entraîner une explosion ou une fuite de liquide ou de gaz inflammable.
- Une pile soumise à une pression d'air extrêmement basse peut entraîner une explosion ou une fuite de liquide ou de gaz inflammable.
- Une attention particulière doit être portée sur les aspects environnementaux d'élimination des piles.

INSTALLATION

- Déballez tous les composants et enlevez les matériaux de protection.
- Ne branchez pas l'appareil sans avoir vérifié la tension secteur et sans avoir effectué toutes les autres connexions.

LOCATION OF CONTROLS



CONTENU DE L'EMBALLAGE

EMPLACEMENT DES COMMANDES

1. Haut-parleur
2. Écran LCD
3. Volume/Défilement -/+
4. Gradateur
5. P1
6. P2
7. P3
8. P4
9. Station pré-réglée
10. Alimentation/Mode
11. Recherche
12. Menu/Info/Retour
13. P+/TU+
14. P-/TU-
15. Alarme
16. Antenne
17. Prise Entrée Aux
18. Entrée CC

CONTENU DE L'EMBALLAGE

ACCESSOIRES
Adaptateur CA



Manuel d'utilisation



ALIMENTATION ÉLECTRIQUE

Branchez le câble d'alimentation de l'adaptateur 5 V 1 A sur la prise CC de la radio.

Appuyez sur le bouton « POWER » (ALIMENTATION) pour allumer l'appareil à partir du mode veille.

Appuyez sur le bouton « MODE » pour sélectionner les modes DAB, FM ou Aux.

Maintenez le bouton « POWER » (ALIMENTATION) enfoncé pour revenir en mode veille.

GRADATEUR

Appuyez sur le bouton « DIMMER » (GRADATEUR) pour choisir le niveau de rétroéclairage : Haut/Moyen/Bas.

VOLUME

Tournez le bouton « VOLUME+/- » pour choisir le niveau de volume.

<<COMMANDE DE RADIO>>

ANTENNE

Déployez et ajustez la position de l'antenne pour obtenir la meilleure réception possible.

RECHERCHE COMPLÈTE

Appuyez sur le bouton « SCAN » (RECHERCHE) pour effectuer une recherche complète en mode FM ou DAB.

Quelques stations de signal appropriées sont mémorisées.

La première station mémorisée sera diffusée automatiquement après avoir effectué une recherche complète.

RECHERCHE MANUELLE

Maintenez le bouton « TU+ ou TU- » enfoncé pour ouvrir le menu de syntonisation manuelle.

Tournez le bouton « VOLUME+/- » pour sélectionner la fréquence.

RAPPEL DE PRÉRÉGLAGE

Appuyez sur le bouton « P+ ou P- » pour rappeler les stations mémorisées.

Appuyez sur le bouton « PRESET » (PRÉRÉGLAGE) pour rappeler la station de 1 à 30 (FM = 30 stations, DAB = 30 stations).

MÉMORISER LE PRÉRÉGLAGE

Maintenez le bouton « PRESET » (PRÉRÉGLAGE) enfoncé pour mémoriser la station de 1 à 30 (FM = 30 stations, DAB = 30 stations).

MÉMORISER LE PRÉRÉGLAGE RAPIDE et RAPPEL

Maintenez le bouton « P1, P2, P3 ou P4 » enfoncé pour mémoriser la station.

Appuyez sur le bouton « P1, P2, P3 ou P4 » pour rappeler la station.

INFORMATIONS FM

Appuyez sur le bouton « INFO » pour afficher certaines informations : Texte radio, PTY, Nom, Mono ou Date d'aujourd'hui

INFORMATIONS DAB

Appuyez sur le bouton « INFO » pour afficher certaines informations : Texte de défilement radio, Puissance du signal, Type de programme, Nom du multiplex, Débit binaire, Fréquence ou Date d'aujourd'hui.

AUX-IN

Connectez la prise Entrée aux de l'appareil et le lecteur audio externe à l'aide d'un câble d'Entrée aux de 3,5 mm (non fourni).

Commande du volume par l'appareil et le lecteur audio externe.

Les autres commandes musicales sont gérées par la source audio externe uniquement.

<<COMMANDE GÉNÉRALE DU MENU>>

Maintenez le bouton « MENU » enfoncé dans le menu en mode Veille, DAB, FM ou Aux.

Appuyez sur le bouton « BACK »(RETOUR) pour revenir à la page précédente.

Tournez le bouton « SCROLL+/- » (DÉFILER +/-) pour choisir la sélection.

Appuyez sur le bouton « ENTER » (ENTRÉE) pour confirmer la sélection.

*Options de menu différentes en mode Veille, DAB, FM ou Aux.

*L'astérisque derrière l'option indique le réglage actuel.

SYSTÈME

Sélectionner l'option : Sommeil, Alarme, Temps, Rétroéclairage, Langue, Réinitialisation d'usine ou version LOGICIELLE.

SOMMEIL

Sélectionner l'option : Éteint, 15, 30, 45, 60 ou 90 minutes.

ALARME

*De plus, appuyez sur le bouton « ALARME » (ALARM) pour activer le réglage de l'alarme.

Sélectionnez l'option en cours :

Alarme 1 ou 2

À l'heure

Durée : 15, 30, 45, 60 ou 90 minutes

Source : DAB, FM ou Avertisseur sonore

Cycle : Quotidien, Une fois, Wee-kends ou Jours de la semaine.

Date : JJ-M-AAAA (*Une fois seulement)

Niveau du volume

ALLUMER/ÉTEINDRE

*Les icônes Alarme 1 et Alarme 2 s'affichent lorsque l'alarme est activée.

*Le volume augmentera progressivement jusqu'à ce que le niveau de volume réglé soit atteint.

*L'icône de l'alarme correspondante clignotera sur l'écran.

RÉPÉTITION/ALARME DÉSACTIVÉ(E)

1. Appuyez sur le bouton « SNOOZE » (RÉPÉTITION) pour arrêter temporairement l'alarme.
2. L'alarme sera à nouveau active après 9 minutes.
3. Appuyez sur le bouton « POWER » (ALIMENTATION) ou «ALARM» (ALARME) pour annuler les fonctions de répétition et d'alarme.

TEMPS

Sélectionner l'option :

Heure/Date

Mise à jour automatique : Tous, DAB, FM ou Pas de mise à jour

12/24 heures

Format de date : JJ-MM-AAAA ou MM-JJ-AAAA

RÉTROÉCLAIRAGE

Sélectionner l'option :

Délai d'attente : 10, 20, 30, 45, 60, 90, 120, 180 sec or Allumé

Niveau allumé : Haut/Moyen/Bas

Niveau gradué : Haut/Moyen/Bas

LANGUE

Sélectionner l'option : Anglais, Allemand, Italien, Français, Néerlandais, Espagnol ou Polonais.

RÉINITIALISATION AUX RÉGLAGES D'USINE

Sélectionnez « YES (Oui) ou No (Non) » pour rétablir le réglage par défaut.

VERSION LOGICIELLE

Vérifiez la version logicielle.

<<MENU DAB>>

Sélectionner l'option : Recherche complète, Syntonisation manuelle, DRC, Tailler, Annonce ou Système.

RECHERCHE COMPLÈTE

Recherche automatique et mémorisation des stations de radio

SYNTONISATION MANUELLE

Recherchez manuellement la fréquence radio spécifique

DRC (Commande de plage dynamique)

Sélectionnez l'option permettant d'effectuer une compensation radio : DRC éteint, DRC bas, DRC haut

TAILLER

Sélectionnez « YES (Oui) ou No (Non) » pour supprimer les stations « ? » non valides après la recherche automatique.

ANNONCE

Sélectionner l'option : Éteint, Allumé, Pas De TA Ou Uniquement TA.

<<MENU FM>>

Sélectionner l'option : Réglage de la recherche, Réglage de l'audio ou Réglage du système.

RÉGLAGE DE LA RECHERCHE

Sélectionner l'option : Toutes les stations ou Station forte uniquement

RÉGLAGE DE L'AUDIO

Sélectionner l'option : Stéréo autorisée ou Mono forcée

SPÉCIFICATIONS TECHNIQUES

Gamme de fréquences :

FM 88 à 108 MHz

DAB / DAB+ : 174,928 ~ 239,200 MHz

30 stations mémorisées = DAB

30 stations mémorisées = FM

Adaptateur CA: Entrée : CA 100- 240 V ~ 50 / 60 Hz 0,3 A max.

Sortie : 5 V CC 1 A

Puissance de consommation : 5 W

Dimensions de l'appareil : 155 (L) x 80 (D) x 75 (H) cm

Poids : 0,32 kg (adaptateur non compris)

Spécifications de l'adaptateur d'alimentation

Informations	Valeur et précision
Nom ou marque du fabricant, enregistrement commercial et adresse	DongGuan Obelieve Electronic Co., Ltd.
	HuaZhaoXin Industrial Park B-4/F, Golden Phoenix Industrial Zone, Fenggan Town, Dongguan, Guangdong Province, R.P. de CHINE
Identifiant du modèle	OBL-0501000E
Tension d'entrée	100 V-240 V
Fréquence d'entrée CA	50/60 Hz
Tension de sortie	5,0 V
Courant de sortie	1 A
Puissance de sortie	5,0 W
Efficacité active moyenne	73,62
Efficacité à faible charge (10%)	76,52
Pas de consommation d'énergie à vide	0,081 W

Garantie

Commaxx B.V. offre un service et une garantie conformément à la législation européenne, ce qui signifie qu'en cas de besoin de réparation (aussi bien pendant et après la période de garantie), vous pouvez contacter le revendeur le plus proche.

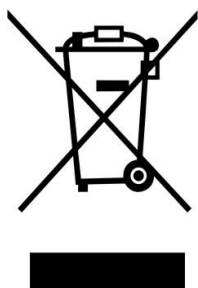
Remarque importante : Il n'est pas possible d'envoyer directement à Commaxx B.V. des produits nécessitant des réparations.

Cet appareil ne convient pas à une utilisation professionnelle. En cas d'utilisation professionnelle, les obligations de garantie du fabricant sont annulées.

Clause de non-responsabilité

Des mises à jour du micrologiciel ou des composants matériels sont régulièrement effectuées. Par conséquent, certaines des instructions, contenues dans ce guide ne sont données qu'à titre d'illustration et peuvent ne pas s'appliquer à une situation particulière.

Aucun droit juridique ou légal ne peut être obtenu à partir de la description faite dans ce manuel.



Mise au rebut de l'appareil usagé

Ce symbole indique que le produit électrique concerné ainsi que les piles ne doivent pas être jetés avec les autres déchets ménagers en Europe. Pour assurer le traitement correct des déchets de l'appareil et des piles, il faut les éliminer conformément aux lois locales applicables sur l'élimination des équipements électriques et des piles. En faisant cela, vous contribuez à la conservation des ressources naturelles et à l'amélioration des normes de protection de l'environnement dans le traitement et l'élimination des déchets électriques (Directive sur les déchets d'équipements électriques et électroniques).

DÉCLARATION DE CONFORMITÉ

Par la présente, Commaxx déclare que le type d'équipement radio auquel appartient [Lenco CR-625] est conforme à la directive 2014/53/EU. Le texte intégral de la déclaration de conformité UE est disponible à l'adresse Internet suivante :

https://commaxx-certificates.com/doc/cr-625_doc.pdf

Type RF	Plage de fréquences (MHz)	Puissance (dBm)
DAB	174-240	-
FM	87,5-108	-

Service

Pour plus d'informations et en cas de besoin d'assistance, rendez-vous sur www.lenco.com

Commaxx B.V. Wiebachstraat 37, 6466 NG Kerkrade, The Netherlands

PRECAUCIÓN:

Un uso de los controles, unos ajustes o un rendimiento de los procedimientos distintos a los especificados aquí puede resultar en una exposición peligrosa a la radiación.

PRECAUCIONES PREVIAS AL USO

TENGA ESTAS INSTRUCCIONES EN CUENTA:

1. No cubra ni obstruya las aberturas de ventilación. Si coloca el dispositivo sobre una estantería, deje una separación de 5 cm (2") alrededor de todo el dispositivo.
2. Instálelo en conformidad con el manual del usuario incluido.
3. Mantenga el dispositivo apartado de fuentes de calor como radiadores, calentadores, estufas, velas y otros productos que generen calor o llamas abiertas. El dispositivo solo puede utilizarse en climas moderados. Deben evitarse los entornos muy fríos o cálidos. La temperatura de funcionamiento es de entre 0 °C y 35 °C.
4. Evite utilizar el dispositivo cerca de campos magnéticos intensos.
5. Las descargas electrostáticas pueden perturbar el uso normal de este dispositivo. En tal caso, solo tiene que seguir el manual de instrucciones para restablecer y reiniciar el dispositivo. Durante la transmisión de archivos, por favor manéjelo con cuidado y opérelo en un entorno libre de electricidad estática.
6. ¡Advertencia! Nunca introduzca objetos en las aberturas o conductos de ventilación del producto. Alto voltaje fluye a través del producto e insertar un objeto puede provocar una descarga eléctrica o un cortocircuito en sus componentes internos. Por el mismo motivo, no derrame agua ni líquidos sobre el producto.
7. No lo utilice en áreas mojadas o húmedas, como cuartos de baño, cocinas con mucho vapor o cerca de piscinas.
8. No se debe exponer el dispositivo a goteos ni salpicaduras y debe asegurarse de que no haya objetos llenos de líquidos, como jarrones, encima ni cerca del aparato.
9. No utilice este dispositivo si puede haber condensación. Cuando se utilice la unidad en una sala cálida y húmeda, pueden aparecer gotas de agua o condensación dentro de la unidad y esta puede no funcionar correctamente; deje la unidad apagada durante 1 o 2 horas antes de encender la alimentación: la unidad debe estar seca antes de encenderla.
10. Aunque este dispositivo está fabricado con el máximo cuidado y se ha comprobado varias veces antes de salir de fábrica, todavía es posible que se puedan producir problemas, igual que con todos los aparatos eléctricos. Si detecta humo, una acumulación excesiva de calor o cualquier otro fenómeno inesperado, deberá desconectar inmediatamente el enchufe de la toma de corriente.
11. Este dispositivo debe estar conectado a una fuente de alimentación conforme a lo indicado en la etiqueta de especificaciones. Si no está seguro del tipo de fuente de alimentación de su hogar, consulte con su distribuidor o su empresa eléctrica local.
12. Manténgalo alejado de animales. Algunos animales muerden los cables eléctricos.
13. Utilice un trapo suave y seco para limpiar el dispositivo. No utilice disolventes ni líquidos con base de gasolina.
Puede usar un paño húmedo con detergente diluido para eliminar las manchas persistentes.
14. El proveedor no asume ninguna responsabilidad por daños o datos perdidos como consecuencia de un funcionamiento incorrecto, uso incorrecto, modificación del dispositivo o sustitución de la batería.
15. No interrumpa la conexión mientras se formatea el dispositivo o esté transfiriendo archivos. De lo contrario, los datos podrían quedar dañados o perderse.
16. Si la unidad tiene una función de reproducción USB, se debe conectar directamente el dispositivo de memoria USB a la unidad. No utilice cables de extensión USB, ya que pueden crear interferencias que causen una pérdida de datos.
17. La etiqueta de clasificación está marcada en el panel inferior o trasero del dispositivo.
18. Este aparato no está diseñado para su uso por personas (incluyendo niños) con discapacidades físicas, sensoriales o mentales o con falta de experiencia o conocimientos, salvo que estén bajo supervisión o hayan recibido formación sobre el uso correcto del dispositivo por parte de una persona responsable de su seguridad.

19. Este producto está destinado únicamente al uso no profesional y no al uso comercial ni industrial.
20. Compruebe que la unidad está ajustada en una posición estable. Los daños causados por las vibraciones o sacudidas derivadas del uso del producto en una posición inestable o el incumplimiento de otras advertencias o precauciones incluidas en este manual del usuario no estarán cubiertos por la garantía.
21. Nunca retire la carcasa del dispositivo.
22. Nunca coloque el dispositivo sobre otros equipos eléctricos.
23. No permita que los niños accedan a las bolsas de plástico.
24. Utilice solo los accesorios especificados por el fabricante.
25. Solicite todo el trabajo de mantenimiento a personal de servicio cualificado. El dispositivo deberá ser reparado cuando quede dañado de cualquier forma, por ejemplo, si el cable de alimentación o el enchufe están dañados, se ha derramado líquido o han caído objetos sobre él, ha quedado expuesto a la lluvia o a la humedad, no funciona con normalidad, o se ha caído al suelo.
26. La exposición prolongada a sonidos fuertes de reproductores personales de música puede provocar una pérdida temporal o permanente de audición.
27. Si el producto incluye un cable de alimentación o un adaptador de CA:
 - Si hubiera algún problema, desconecte el cable de CA y solicite su mantenimiento al personal cualificado.
 - No pise ni pellizque el adaptador de corriente. Tenga mucho cuidado, en especial cerca de los enchufes y el punto de salida del cable. No coloque objetos pesados sobre el adaptador de corriente, ya que podría dañarlo. ¡Mantenga todo el dispositivo fuera del alcance de los niños! Si juegan con el cable de alimentación, pueden sufrir lesiones graves.
 - Desenchufe el dispositivo durante tormentas eléctricas o si no se utiliza durante largos periodos.
 - La toma debe estar instalada cerca del equipo y ser fácilmente accesible.
 - No sobrecargue las tomas de CA ni los cables de extensión. Una sobrecarga podría provocar un incendio o una descarga eléctrica.
 - Los dispositivos con una construcción de clase 1 deben estar conectados a una toma eléctrica con conexión a tierra protectora.
 - Los dispositivos con una construcción de clase 2 no requieren una conexión a tierra.
 - Sujete siempre el enchufe cuando lo extraiga de la toma de corriente. No tire del cable eléctrico. Podría provocar un cortocircuito.
 - No utilice cables de alimentación o enchufes deteriorados o tomas sueltas. Podría provocar un incendio o descarga eléctrica.
28. Si el producto contiene o se entrega con un mando a distancia que contiene pilas de botón:

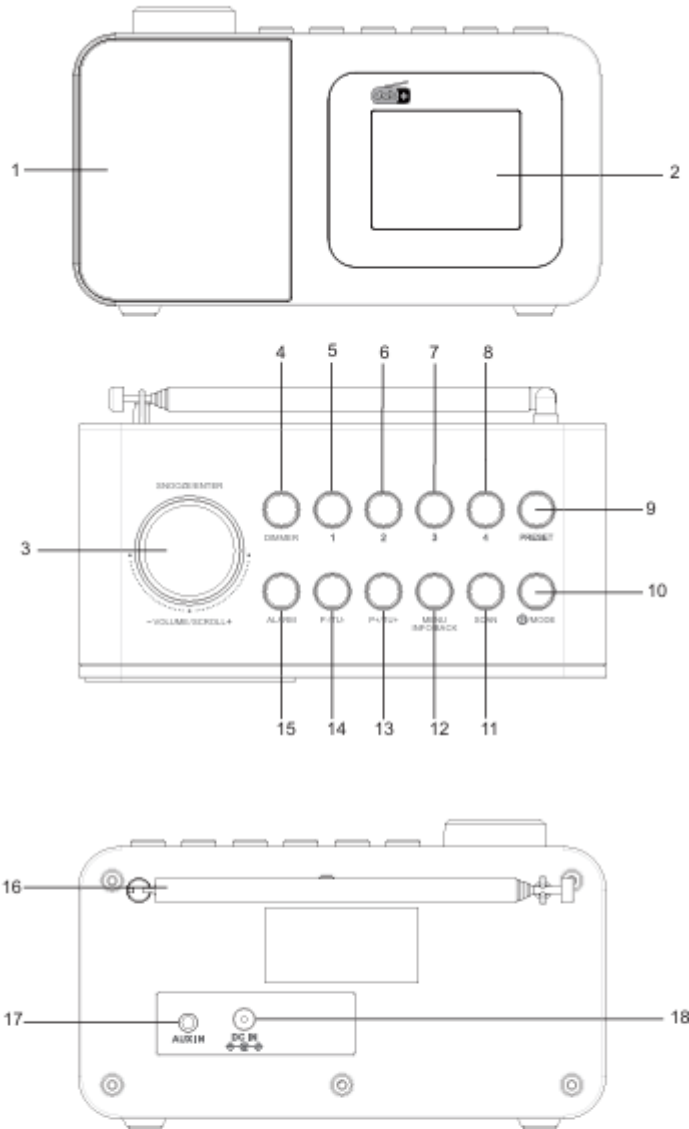
Advertencia:

 - «No ingiera la pila, existe riesgo de quemaduras químicas» o equivalente.
 - [Mando a distancia incluido] Este producto contiene una pila de botón. En caso de ingesta de la pila, puede provocar quemaduras internas graves en menos de 2 horas que pueden provocar la muerte.
 - Mantenga las pilas nuevas y usadas fuera del alcance de los niños.
 - Si el compartimento de las pilas no cierra bien, deje de usar el producto y manténgalo fuera del alcance de los niños.
 - Si cree que puede haber ingerido una pila, solicite inmediatamente atención médica.
29. Precauciones sobre el uso de las pilas:
 - Existe peligro de explosión si se sustituye la pila por una de tipo incorrecto. Sustitúyalas únicamente por pilas del mismo tipo o equivalentes.
 - No se puede someter las pilas a temperaturas muy altas o bajas, ni a presiones de aire bajas a altitudes altas durante el uso, almacenamiento o transporte.
 - La sustitución de una pila por una de tipo incorrecto puede resultar en una explosión o fuga del líquido o gas inflamable.
 - Arrojar una pila al fuego o a un horno caliente, o aplastarla o cortarla con medios mecánicos, puede resultar en una explosión.
 - Dejar una pila en un entorno con temperaturas muy altas puede resultar en una explosión o fuga del líquido o gas inflamable.
 - Someter una pila a presiones de aire muy bajas puede resultar en una explosión o la fuga del líquido o gas inflamable.
 - Se debe prestar atención a los aspectos medioambientales sobre la eliminación de baterías.

INSTALACIÓN

- Desempaquete todas las piezas y retire el material protector.
- No conecte la unidad a la corriente sin comprobar la tensión eléctrica y que se han hecho todas las demás conexiones.

LOCATION OF CONTROLS



CONTENIDO

UBICACIÓN DE LOS CONTROLES

1. Altavoz
2. Pantalla LCD
3. Volumen/Desplazar -/+
4. Atenuador
5. P1
6. P2
7. P3
8. P4
9. Presintonía
10. Encendido/Modo
11. búsqueda
12. Menú/Información/Atrás
13. P+/TU+
14. P-/TU-
15. Alarma
16. Antena
17. Conector de entrada AUX
18. Entrada DC

CONTENIDO

ACCESORIOS
Adaptador AC



Manual del usuario



ALIMENTACIÓN ELÉCTRICA

Conecte el cable de alimentación del adaptador 5V 1A al conector DC de la radio.

Pulse el botón «POWER» (ENCENDIDO) para encender el dispositivo en el modo de suspensión.

Pulse el botón «MODE» (MODO) para activar los modos DAB, FM o Aux.

Mantenga pulsado el botón «POWER» (ENCENDIDO) para volver al modo de suspensión.

ATENUADOR

Pulse el botón «DIMMER» (ATENUADOR) para elegir la intensidad de la luz de fondo: Alto/Medio/Bajo.

VOLUMEN

Ajuste el control «VOLUME+/-» (VOLUMEN+/-) para seleccionar el nivel de volumen.

<<CONTROL DE RADIO DAB O FM>>

ANTENA

Extienda y ajuste la posición de la antena para obtener una señal óptima.

BÚSQUEDA COMPLETA

Pulse el botón «SCAN» (BÚSQUEDA) para hacer una búsqueda completa en el modo FM o DAB.

Algunas emisoras con señal adecuada se guardan.

Se retransmite la primera emisora guardada tras completar la búsqueda.

BÚSQUEDA MANUAL

Mantenga pulsado el botón «TU+» o «TU-» para abrir el menú de sintonización manual.

Encienda el control «VOLUME+/-» (VOLUMEN+/-) para seleccionar la frecuencia.

RECUPERACIÓN DE PRESINTONÍAS

Pulse el botón «P+ o P-» para recuperar las emisoras guardadas

Pulse el botón de «PRESET» (PRESINTONÍAS) para abrir una emisora de 1 a 30 (FM = 30 emisoras, DAB = 30 emisoras)

GUARDADO DE PRESINTONÍAS

Mantenga pulsado el botón de «PRESET» (PRESINTONÍAS) para guardar una emisora de 1 a 30 (FM = 30 emisoras, DAB = 30 emisoras)

RECUPERACIÓN Y GUARDADO RÁPIDOS DE PRESINTONÍAS

Mantenga pulsado el botón «P1, P2, P3 o P4» para guardar la emisora.

Pulse el botón «P1, P2, P3 o P4» para recuperar la emisora.

INFORMACIÓN FM

Pulse el botón «INFO» (INFORMACIÓN) para ver información: Texto de la radio, tipo de programa, nombre, mono o fecha

INFORMACIÓN SOBRE DAB

Pulse el botón «INFO» (INFORMACIÓN) para ver información: Desplazamiento del texto de la radio, intensidad de la señal, tipo de programa, nombre del multiplexor, velocidad de bits, frecuencia, fecha

ENTRADA AUXILIAR

Acople el conector de entrada auxiliar del dispositivo y el mando de audio externo a un cable de entrada auxiliar de 3,5 mm (no incluido)

Controle el volumen mediante el dispositivo y el mando de audio externo.

Otros controles de música los gestiona solo la fuente de audio externa.

<< CONTROL DE MENÚ GENERAL>>

Mantenga pulsado el botón «MENU» (MENÚ) en el menú suspensión, DAB, FM o modo auxiliar.

Pulse el botón «BACK» (ATRÁS) para volver a la última página.

Ajuste el control «SCROLL+/-» (DESPLAZARSE+/-) para elegir la selección.

Pulse el botón «ENTER» (INTRO) para confirmar la selección.

*Diferentes opciones del menú en suspensión, DAB, FM o modo auxiliar.

*El asterisco detrás de la opción indica el ajuste actual

SISTEMA

Seleccione la opción: Apagado Automático, Alarma, Hora, Luz De Fondo, Idioma, Restablecer Valores De Fábrica o Versión de Software.

APAGADO AUTOMÁTICO

Seleccione la opción: Apagado en 15, 30, 45, 60 o 90 minutos.

ALARMA

*Asimismo, pulse el botón «ALARM» (ALARMA) para activar el valor de la alarma.

Seleccione la opción en curso:

Alarma 1 o 2

A tiempo

Duración: 15, 30, 45, 60 o 90 minutos

Fuente: DAB, FM o Timbre

Ciclo: Diario, Una Vez, Los Fines De Semana o Los Días Laborables

Fecha: DD-M-AAAA (*solo una vez)

Nivel de volumen

Encendido o apagado

Se muestran los iconos de las *Alarma 1 y Alarma 2 cuando la alarma está encendida

*El volumen aumentará gradualmente hasta que se establezca.

*El icono de la alarma correspondiente parpadeará en la pantalla.

REPETICIÓN / APAGAR ALARMA

1. Pulse el botón «SNOOZE» (REPETICIÓN) para detener la repetición de alarma temporalmente.
2. La alarma se activará de nuevo tras 9 minutos.
3. Pulse el botón «POWER» (ENCENDIDO) o «ALARM» (ALARMA) para cancelar la función de repetición y alarma.

HORA

Seleccione la opción:

Hora/fecha

actualización automática: Cualquiera, DAB, FM o Sin Actualizaciones

12/24 horas

Formato de fecha: DD-MM-AAAA o MM-DD-AAAA

LUZ DE FONDO

Seleccione la opción:

Tiempo de apagado automático: 10, 20, 30, 45, 60, 90, 120, 180 s o Activado

Nivel de iluminación: Alto/Medio/Bajo

Nivel De Atenuación: Alto/Medio/Bajo

IDIOMA

Seleccione la opción: Inglés, Alemán, Italiano, Francés, Holandés, Español O Polaco.

RESTABLECER VALORES DE FÁBRICA

Seleccione «YES» (Sí) o «No» (No) para volver a los valores predeterminados.

VERSIÓN DEL SOFTWARE

Compruebe la versión del software.

<<MENÚ DAB>>

Seleccione la opción: Búsqueda completa, sintonización manual, DRC, Reducir, Anuncio o Sistema.

BÚSQUEDA COMPLETA

Búsqueda y guardado automático de emisoras de radio

SINTONIZACIÓN MANUAL

Busque una frecuencia de radio específica manualmente

DRC (control de rango dinámico)

Seleccione la opción para hacer la compensación de radio: DRC desactivado, DRC bajo, DRC alto

REDUCIR

Seleccione «YES» (Sí) o «No» (No) para eliminar emisoras «?» no válidas después de la búsqueda automática.

ANUNCIO

Seleccione la opción: Desactivado, Activado, No TA o solo TA.

<<MENÚ FM>>

Seleccione la opción: Configuración de búsqueda, configuración de audio o sistema.

AJUSTES DE BÚSQUEDA

Seleccione la opción: todas las emisoras o solo emisoras fuertes

AJUSTES DE AUDIO

Seleccione la opción: Estéreo permitido o mono forzada

ESPECIFICACIONES TÉCNICAS

Rango de frecuencia:

FM 88-108 MHz

DAB/DAB+: 174,928 ~ 239,200 MHz

Memoria de 30 emisoras presintonía = DAB

Memoria de 30 emisoras de presintonía = FM

Adaptador AC: Entrada: AC 100-240 V ~ 50 / 60 Hz 0,3 A máximo

Salida: 5 V y 1 A DC

Consumo eléctrico: 5 W

Dimensiones de la unidad: 155 (Longitud) x 80 (Ancho) x 75 (Altura) cm

Peso: 0,32 kg (a excepción del adaptador)

Especificación del adaptador de corriente

Información	Valor y precisión
Nombre de los fabricantes o marcas registradas, registro comercial y dirección	DongGuan Obelieve Electronic Co., Ltd
	HuaZhaoXin Industrial Park B-4/F, Golden Phoenix Industrial Zone, Fenggan Town, Dongguan, Guangdong Province, República Popular China
Identificador de modelo	OBL-0501000E
Tensión de entrada	100 V-240 V
Frecuencia AC de entrada	50/60 Hz
Tensión de salida	5,0 V
Corriente de salida	1 A
Potencia de salida	5,0 W
Eficiencia activa media	73,62
Eficiencia con carga baja (10 %)	76,52
Consumo energético sin carga	0,081 W

Garantía

Commaxx B.V. ofrece servicio y garantía en conformidad con las leyes europeas, por lo que en caso de requerir una reparación (tanto durante como después del periodo de garantía) debe ponerse en contacto con su distribuidor local.

Nota importante: No es posible enviar directamente a Commaxx B.V. los productos que necesiten reparación.

El dispositivo no es adecuado para un uso profesional. En caso de uso profesional, todas las obligaciones de garantía del fabricante quedarán anuladas.

Exención de responsabilidad

Se realizan actualizaciones del firmware y/o componentes de hardware de manera periódica. Por este motivo algunas de las instrucciones, de este manual son únicamente para fines ilustrativos y pueden no corresponderse a su modelo concreto.

Las descripciones de este manual no otorgarán ningún derecho legal.



Eliminación del antiguo dispositivo

Este símbolo indica que el producto eléctrico o batería pertinente no debe eliminarse con los residuos domésticos generales en Europa. Para garantizar un tratamiento correcto de los residuos del producto y las pilas, elimínelos en conformidad con las leyes locales vigentes para la eliminación de equipos eléctricos y pilas. Al hacerlo, ayudará a preservar los recursos naturales y mejorar los niveles de protección del medio ambiente en el tratamiento y eliminación de residuos eléctricos (Directiva sobre residuos de aparatos eléctricos y electrónicos).

DECLARACIÓN DE CONFORMIDAD

Por el presente, Commaxx declara que el equipo de radio tipo [Lenco CR-625] cumple con la directiva 2014/53/UE. El texto completo de la declaración de conformidad con la UE está disponible en la siguiente dirección de Internet:

https://commaxx-certificates.com/doc/cr-625_doc.pdf

Tipo de radiofrecuencia	Rango de frecuencia (MHz)	Potencia (dBm)
DAB	174-240	-
FM	87,5-108	-

Servicio

Para más información y atención al cliente, visite www.lenco.com

Commaxx B.V. Wiebachstraat 37, 6466 NG Kerkrade, Países Bajos

FORSIGTIG:

Hvis enheden ikke anvendes, justeres og behandles i overensstemmelse med brugervejledningen, kan det resultere i eksponering for farlig stråling.

FORHOLDSREGLER FØR IBRUGTAGNING

HUSK DISSE ANVISNINGER:

1. Ventilationsåbninger må ikke tildækkes eller blokeres. Hvis enheden placeres på en hylde, skal der altid være 5 cm (2") frirum på alle sider af enheden.
2. Installér enheden iht. anvisningerne i den medfølgende brugervejledning.
3. Hold enheden væk fra varmekilder som radiatorer, varmeapparater, brændeovne, stearinlys og andre varmegenererende produkter eller åben ild. Enheden kan kun bruges i moderate klimaer. Ekstremt kolde eller varme omgivelser bør undgås. Driftstemperatur mellem 0 °C og 35 °C.
4. Undlad at anvende enheden nær stærke magnetfelter.
5. Elektrostatisk afladning kan forstyrre normal brug af denne enhed. Sker det, skal du blot nulstille og genstarte enheden i henhold til anvisningerne i brugervejledningen. Under filoverførsel skal du være forsigtig og arbejde i et miljø uden statisk elektricitet.
6. Advarsel! Stik aldrig en genstand ind i produktet gennem ventilationshullerne eller åbningerne. Der løber højspænding gennem produktet, og hvis du stikker en genstand ind, kan det give elektrisk stød og / eller kortslutte interne dele. Af samme grund må der ikke spildes vand eller væske på produktet.
7. Benyt ikke enheden på våde eller fugtige steder som fx på et badeværelse, i et dampfyldt køkken eller nær en swimmingpool.
8. Enheden må ikke udsættes for dryp eller stænk. Der må ikke anbringes genstande fyldt med væske, som fx vaser, på eller i nærheden af apparatet.
9. Brug ikke denne enhed, når der kan opstå kondens. Hvis enheden placeres i et varmt og fugtigt rum, kan der danne sig vanddråber eller kondens i den, og den kan muligvis ikke fungere korrekt. Lad enheden være slukket i 1-2 timer, inden du tænder den. Enheden skal være tør, når der tændes for strømmen.
10. Selvom denne enhed er fremstillet med den største omhu og kontrolleret flere gange, før den forlader fabrikken, er det stadig muligt, at der kan opstå problemer, som med alle elektriske apparater. Hvis du bemærker røg, overdreven varmeudvikling eller andre uventede fænomener, skal du straks tage stikket ud af stikkontakten.
11. Denne enhed skal fungere på en strømkilde som angivet på specifikationsetiketten. Hvis du ikke er sikker på, hvilken forsyningsspænding, der anvendes i dit hjem, bør du søge vejledning hos din forhandler eller det lokale elselskab.
12. Hold væk fra dyr. Nogle kæledyr kan finde på at bide i strømkabler.
13. Brug en blød, tør klud til at rengøre enheden. Brug ikke opløsningsmidler eller benzinbaserede væsker.
Hårdnakkede pletter kan fjernes med en let fugtet klud med en mild sæbeopløsning.
14. Producenten er ikke ansvarlig for skade eller mistede data, der skyldes fejlfunktion, misbrug, ændringer af enheden eller udskiftning af batterier.
15. Undlad at afbryde forbindelsen, mens enheden formateres, eller der overføres filer. Ellers kan data blive beskadiget eller gå tabt.
16. Hvis enheden har USB-afspilningsfunktion, skal USB-hukommelsesnøglen tilsluttes direkte til enheden. Brug ikke et USB-forlænger-kabel, da det kan forårsage interferens og dermed ødelægge data.
17. Mærkepladen findes i bunden eller på bagsiden af enheden.
18. Denne enhed må ikke bruges af personer (inkl. børn) med nedsatte fysiske motoriske eller mentale evner eller manglende erfaring, medmindre de er blevet instrueret i brugen af en person, der er ansvarlig for deres sikkerhed, og er under dennes opsyn.
19. Produktet er udelukkende beregnet til ikke-professionel brug, ikke til kommerciel eller industriel anvendelse.
20. Sørg for, at enheden er justeret til en stabil position. Skade, der skyldes anvendelse af produktet i en ustabil position, vibrationer, stød eller manglende overholdelse af de retningslinjer og andre advarsler, der er udstukket i denne brugervejledning, dækkes ikke af garantien.

21. Åbn aldrig enhedens kabinet.
22. Placér aldrig denne enhed ovenpå andet elektrisk udstyr.
23. Lad ikke børn få adgang til plastposer.
24. Brug kun tilslutninger / tilbehør, der er angivet af producenten.
25. Overlad al service til kvalificeret servicepersonale. Service er påkrævet, hvis enheden på nogen måde er beskadiget, hvis f.eks. strømkablet eller stikket er beskadiget, hvis der er spildt væske på enheden, eller hvis en genstand er faldet ned i den, hvis enheden har været udsat for regn eller fugt, ikke fungerer korrekt eller er blevet tabt.
26. Langvarig lytning til musik ved høj lydstyrke kan medføre midlertidige eller permanente høreskader.
27. Hvis produktet leveres med strømkabel eller strømforsyning til vekselstrøm:
 - Hvis der opstår problemer, skal du tage stikket ud af kontakten og overlade al service til kvalificeret tekniker.
 - Undgå at træde på eller klemme strømadapteren. Vær meget forsigtig, især i nærheden af stikkene og kablets udgang. Placer ikke tunge genstande på strømadapteren, da de kan beskadige den. Hold hele enheden uden for børns rækkevidde! Hvis børn leger med strømkabler, kan de komme slemt til skade.
 - Tag stikket ud af stikkontakten i tordenvej, samt hvis du ikke skal bruge enheden i længere tid.
 - Enheden skal placeres nær stikkontakten, og der skal altid være let adgang til den stikkontakt, enheden er tilsluttet.
 - Overbelast ikke stikkontakter eller forlængerledninger. Overbelastning kan forårsage brand eller elektrisk stød.
 - Enheder med klasse 1-opbygning bør forbindes til en stikkontakt med jord.
 - Enheder med klasse 2-opbygning kræver ikke jordforbindelse.
 - Hold altid i stikket, når du trækker det ud af stikkontakten. Træk ikke i netledningen. Det kan forårsage en kortslutning.
 - Brug ikke en beskadiget ledning eller stik eller en løs stikkontakt. Det kan resultere i brand eller elektrisk stød.
28. Hvis produktet indeholder eller leveres med en fjernbetjening indeholdende knapcellebatterier:

Advarsel:

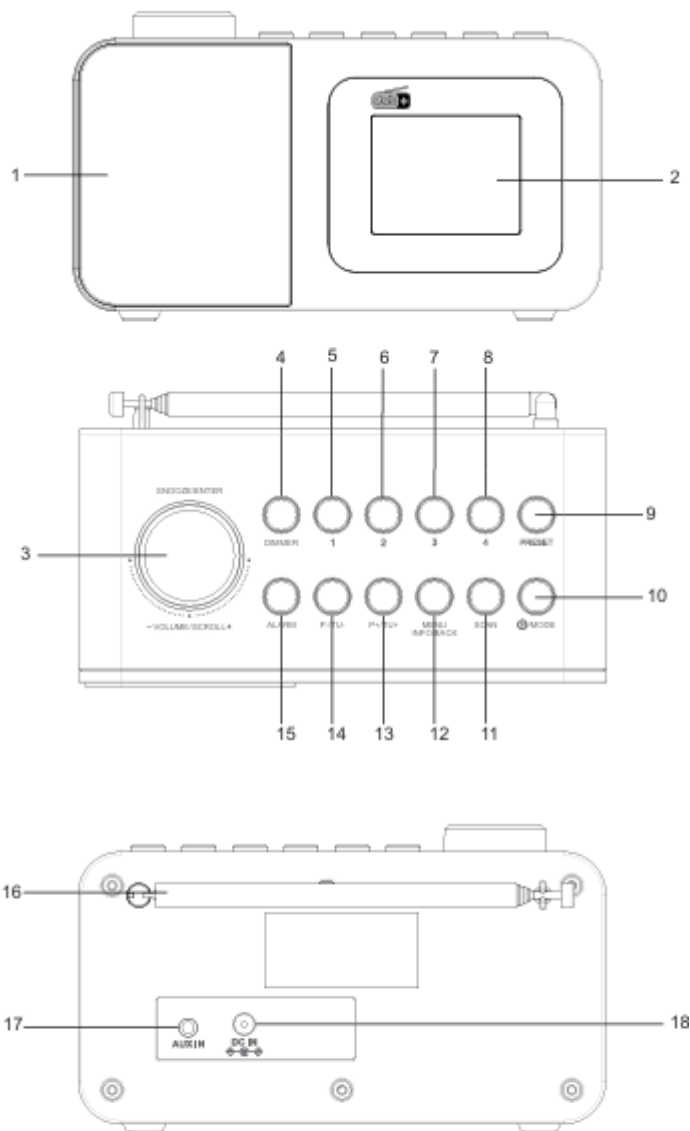
 - "Slug ikke batteriet, der er risiko for kemisk forbrænding" eller tilsvarende.
 - [Fjernbetjeningen leveres med] Dette produkt indeholder et knapcellebatteri, der, hvis det sluges, kan forårsage kraftig indre forbrænding på blot 2 timer og kan medføre dødsfald.
 - Hold nye og brugte batterier udenfor børns rækkevidde.
 - Hvis batterirummet ikke kan lukkes sikkert, skal du holde op med at bruge produktet og holde det udenfor børns rækkevidde.
 - Hvis du tror, et batteri kan være blevet slugt eller placeret inden i nogen del af kroppen, skal du omgående søge lægehjælp.
29. OBS ved brug af batterier:
 - Eksplosionsfare, hvis batteriet udskiftes forkert. Udskift kun batteriet med den samme eller en tilsvarende type.
 - Batteriet må ikke udsættes for ekstremt høje eller lave temperaturer eller lavt lufttryk ved stor højde under brug, opbevaring eller transport.
 - Udskiftning af et batteri med et andet af forkert type kan medføre eksplosion eller lækage af brændbar væske eller gas.
 - Bortskaffelse af batterier ved afbrænding eller i en varm ovn eller ved mekanisk knusning eller opskæring af et batteri kan medføre en eksplosion.
 - Hvis et batteri efterlades i omgivelser med ekstremt høje temperaturer, kan det medføre eksplosion eller lækage af brændbar væske eller gas.
 - Hvis et batteri udsættes for ekstremt lavt lufttryk, kan det medføre eksplosion eller lækage af brændbar væske eller gas.
 - Tænk på miljøet ved bortskaffelse af brugte batterier.

INSTALLATION

- Udpak alle dele, og fjern beskyttelsesmaterialerne.

- Slut ikke enheden til lysnettet, før du har kontrolleret forsyningsspændingen og foretaget alle nødvendige tilslutninger.

LOCATION OF CONTROLS



INDHOLDSFORTEGNELSE

PLACERING AF STYRINGSFUNKTIONER

1. Højtaler
2. LCD-display
3. Lydstyrke/Scroll -/+
4. Dæmpning
5. P1
6. P2
7. P3
8. P4
9. Fast radiostation
10. Tænd/Tilstand
11. Søg
12. Menu/Info/Tilbage
13. P+/TU+
14. P-/TU-
15. Alarm
16. Antenne
17. Aux in-stik
18. DC in

INDHOLDSFORTEGNELSE

TILBEHØR
AC-adapter



Brugervejledning



STRØMFORSYNING

Tilslut 5V 1A-adapterens strømkabel til DC-stikket på radioen.

Tryk på "POWER" (TÆND/SLUK)-knappen for at tænde enheden fra standbytilstand.

Tryk på "MODE" (TILSTAND)-knappen for at skifte til DAB-, FM- eller Aux-tilstand.

Hold "POWER" (TÆND/SLUK)-knappen nede for at gå tilbage til standbytilstand.

DÆMPNING

Tryk på "DIMMER" (DÆMPNING)-knappen for at justere baggrundslyset: Høj, Middel, Lav.

LYDSTYRKE

Skrue på "VOLUME+/-" (LYDSTYRKE+/-)-knappen for at skrue op eller ned for lyden.

<<DAB- ELLER FM-RADIO>>

ANTENNE

Forlæng og juster antennens placering for at opnå den bedste modtagelse.

FULD SØGNING

Tryk på "SCAN" (SØG)-knappen for at lave en fuld søgning i FM- eller DAB-tilstand.

Nogle egnede signalstationer gemmes.

Den første gemte station vil automatisk blive afspillet, når en fuld søgning er blevet gennemført.

MANUEL SØGNING

Hold "TU+ eller TU-"-knappen nede for at åbne manuelt indstillingsmenuen. Drej "VOLUME+/-" (LYDSTYRKE+/-)-knappen for at vælge frekvensen.

BRUG FAST RADIOSTATION

Tryk på "P+ eller P-"-knappen for at finde de gemte stationer

Tryk på "PRESET" (FASTE RADIOSTATIONER)-knappen for at finde stationerne fra 1 til 30 (FM = 30 stationer, DAB = 30 stationer)

GEM FASTE RADIOSTATIONER

Hold "PRESET" (FASTE RADIOSTATIONER)-knappen nede for at gemme stationer fra 1 til 30 (FM = 30 stationer, DAB = 30 stationer)

GENVEJ TIL AT GEMME OG FINDE STATIONER

Hold "P1, P2, P3 eller P4"-knappen nede for at gemme stationen.

Tryk på "P1, P2, P3 eller P4"-knappen for at finde stationen.

FM-OPLYSNINGER

Tryk på "INFO" knappen for at vise nogle oplysninger: Radiotekst, PTY, navn, mono eller dagens dato

DAB-OPLYSNINGER

Tryk på "INFO" knappen for at vise nogle oplysninger: Display-tekst, signalstyrke, programtype, multiplex-navn, bitrate, frekvens eller dagens dato

AUX-IN

Tilslut Aux-in-stikket på enheden og den eksterne lydenhed via 3,5 mm Aux-in-kablet (medfølger ikke)

Lydstyrken justeres via enheden og den eksterne lydenhed.

Andre musikstyringsfunktioner håndteres kun af den eksterne lydenhed.

<< GENEREL MENU-STYRING >>

Hold "MENU"-knappen nede for at åbne menuen i standby-, DAB-, FM- eller Aux-tilstand.

Tryk på "BACK" (TILBAGE)-knappen for at gå tilbage til forrige side.

Drej på "SCROLL+/-"-knappen for at vælge indstilling.

Tryk på "ENTER" for at bekræfte dit valg.

*Forskellige menuindstillinger i standby-, DAB-, FM- eller Aux-tilstand.

*En stjerne bag valgmuligheden angiver den aktuelle indstilling

SYSTEM

Vælg mulighed: Autosluk, Alarm, Klokkelæt, Baggrundslys, Sprog, Nulstilling og Softwareversion.

AUTOSLUK

Vælg mulighed: Fra, 15, 30, 45, 60 eller 90 minutter.

ALARM

*Derudover skal du trykke på "ALARM"-knappen for at aktivere alarmindstillingen.

Vælg indstilling:

Alarm 1 eller 2

På klokkeslæt

Varighed: 15, 30, 45 60 eller 90 minutter

Kilde: DAB, FM eller Buzzer

Hvor ofte: Dagligt, én gang, weekender eller hverdage

Dato: DD-MM-ÅÅÅÅ (*kun én gang)

Lydstyrkeniveau

Til eller fra

*Alarm 1- og Alarm 2-ikonet vil blive vist, når alarmerne er aktiveret

*Lydstyrken øges gradvist, indtil det indstillede lydstyrkeniveau er nået.

*Det tilsvarende alarmikon vil blinke på displayet.

SNOOZE/SLÅ ALARM FRA

1. Tryk på "SNOOZE" for at deaktivere alarmerne midlertidigt.
2. Alarmerne lyder igen efter 9 minutter.
3. Tryk på "POWER" (TÆND/SLUK) eller "ALARM"-knappen for at annullere snooze- og alarmfunktionen.

KLOKKESLÆT

Vælg mulighed:

Klokkeslæt/dato

Automatisk opdatering: Valgfri, DAB, FM eller ingen opdatering

12/24 timer

Datoformat: DD-MM-ÅÅÅÅ eller MM-DD-ÅÅÅÅ

BAGGRUNDSLYS

Vælg mulighed:

Timeout: 10, 20, 30, 45, 60, 90, 120, 180 sekunder eller tændt

Tændt niveau: høj, middel, lav

Dæmpet niveau: høj, middel, lav

SPROG

Vælg mulighed: Engelsk, tysk, italiensk, fransk, hollandsk, spansk eller polsk.

NULSTILLING TIL FABRIKSINDSTILLINGER

Vælg "JA eller NEJ" (YES or No) for at gendanne standardindstillingen.

Softwareversion

Tjek softwareversionen.

<<DAB-MENU>>

Vælg mulighed: Fuld Søgning, Manuel Tuning, Drc, Fjern Inaktive, Meddelelse eller System.

FULD SØGNING

Autosøgning og gem radiostationer

MANUEL TUNING

Søg den specifikke radiofrekvens manuelt

DRC (Dynamisk områdekomprimering)

Vælg mulighed for radiokompensation: DRC fra, DRC lav, DRC høj

FJERN INAKTIVE

Vælg "JA eller NEJ" (YES or No) for at fjerne ugyldige "?"-stationer efter automatisk søgning.

MEDDELELSER

Vælg mulighed: Fra, til, ingen TA eller kun TA.

<<FM-MENU>>

Vælg mulighed: Søgeindstillinger, lydindstillinger eller system.

SØGEINDSTILLINGER

Vælg mulighed: Alle stationer eller kun stærke stationer

LYDINDSTILLINGER

Vælg mulighed: Stereo tilladt eller tvungen mono

TEKNISKE SPECIFIKATIONER

Frekvensområde:

FM 88 - 108 MHz

DAB/DAB+: 174,928-239,200 MHz

30 faste radiostationer i hukommelsen = DAB

30 faste radiostationer i hukommelsen = FM

AC-adapter: Indgang: AC 100 - 240 V 50/60 Hz, 0,3 A Maks

Udgang: DC 5 V 1 A

Energiforbrug: 5 W

Enhedsmaal: 155 (L) x 80 (D) x 75 (H) cm

Vægt: 0,32 Kg (uden adapter)

Specifikationer for strømadapter

Information	Værdi og præcision
Producentens navn eller varemærke, virksomhedsregistrering og adresse	DongGuan Obelieve Electronic Co., Ltd
	Huazhaoxin Industrial Park B-4/F, Golden Phoenix Industrial Zone, Fenggan Town, Donggyan, Guangdong Province, People's Republic of China
Modelnr	OBL-0501000E
Indgangsspænding	100 V-240 V
AC-indgangsfrekvens	50/60 Hz
Udgangsspænding	5,0 V
Udgangsstrøm	1 A
Udgangseffekt	5,0 W
Gns. aktiv effektivitet	73,62
Effektivitet ved lav belastning (10 %)	76,52
Strømforbrug ved ingen belastning	0,081 W

Garanti

Commaxx B.V. tilbyder service og garanti i overensstemmelse med europæisk lovgivning, hvilket betyder, at i tilfælde af reparation (både under og efter garantiperiodens udløb) bør du kontakte din lokale forhandler.

Vigtig meddelelse: Det er ikke muligt at sende produktet direkte til Commaxx B.V., hvis det kræver reparation.

Denne enhed er ikke egnet til professionel brug. I tilfælde af professionel brug, bortfalder alle producentens garantiforpligtelser.

Ansvarsfraskrivelse

Opdateringer af firmware og/eller hardwarekomponenter foretages regelmæssigt. Derfor er nogle af instruktionerne, i denne vejledning kun til illustrationsformål og gælder muligvis ikke for den aktuelle situation.

Ingen juridisk ret eller rettighed kan opnås fra beskrivelsen i denne vejledning.



Bortskaffelse af udtjente enheder

Symbolet angiver, at det relevante elektriske produkt eller batteri inden for Europa ikke må bortskaffes som almindeligt husholdningsaffald. For at sikre korrekt affaldsbehandling af produktet og batteriet bedes du bortskaffe dem i overensstemmelse med gældende lokal lovgivning om krav til bortskaffelse af elektrisk udstyr eller batterier. På den måde hjælper du med at bevare naturens ressourcer og forbedre standarderne for miljøbeskyttelse i forbindelse med behandling og bortskaffelse af elektrisk affald (direktivet om affald af elektrisk og elektronisk udstyr).

OVERENSSTEMMELSESERKLÆRING

Commaxx erklærer hermed, at radioudstyrstypen [Lenco CR-625] er i overensstemmelse med direktiv 2014/53/EU. EU-overensstemmelseserklæringens fulde tekst kan findes på følgende internetadresse:

https://commaxx-certificates.com/doc/cr-625_doc.pdf

Type RF	Frekvensområde (MHz)	Effekt (dBm)
DAB	174-240	-
FM	87,5-108	-

Service

Gå ind på www.lenco.com for yderligere oplysninger og support fra vores helpdesk

Commaxx B.V. Wiebachstraat 37, 6466 NG Kerkrade, The Netherlands

FÖRSIKTIGHET:

Användning av kontroller eller utförande av metoder som inte beskrivits häri kan leda till exponering för farlig strålning.

FÖRSIKTIGHETSÅTGÄRDER FÖRE ANVÄNDNING

IAKTTA DESSA ANVISNINGAR:

1. Ventilationsöppningarna får inte täckas över eller blockeras. När enheten placeras på en hylla bör det lämnas 5 cm (2 tum) ledigt utrymme runt hela enheten.
2. Montering ska ske i enlighet med den medföljande bruksanvisningen.
3. Håll enheten borta från värmekällor såsom radiatorer, värmare, spisar, ljus och andra värmegenererande produkter eller öppen eld. Enheten får endast användas i milda klimat. Undvik extremt kalla eller varma miljöer. Drifttemperatur mellan 0 och 35 °C.
4. Enheten bör inte användas i närheten av starka magnetfält.
5. Elektrostatiska urladdningar kan påverka enhetens funktion. Om detta sker behöver enheten bara återställas och startas om i enlighet med bruksanvisningen. Vid filöverföring måste enheten hanteras med försiktighet i en miljö fri från statisk elektricitet.
6. Varning! Föremål får aldrig föras in i produkten genom ventilerna eller öppningarna. Högsänning flödar genom produkten och om du för in ett föremål kan det orsaka elektriska stötar och/eller kortslutning av interna komponenter. Undvik därför att spilla vatten eller annan vätska på produkten.
7. Enheten får inte användas i våta eller fuktiga miljöer såsom badrum, ångfyllda kök eller i närheten av simbassänger.
8. Enheten får inte utsättas för dropp eller stänk och det ska säkerställas att inga föremål som är fyllda med vätskor, t.ex. vaser, ställs på eller i närheten av enheten.
9. Enheten får inte användas när kondens kan uppstå. När enheten används i ett varmt och fuktigt rum kan vattendroppar eller kondens uppstå inuti enheten och enheten kanske inte fungerar som den ska. Låt enheten vara avstängd i en eller två timmar innan du slår på strömmen igen. Enheten ska vara torr innan strömmen slås på.
10. Även om denna enhet tillverkas med största omsorg och kontrolleras flera gånger innan den lämnar fabriken är det fortfarande möjligt att problem kan uppstå vilket gäller alla elektriska apparater. Om du märker rök, kraftig uppbyggnad av värme eller andra oväntade fenomen ska du omedelbart dra ur kontakten ur eluttaget.
11. Enheten måste strömförsörjas med en strömkälla enligt specifikationen på typskylten. Kontakta din återförsäljare eller ditt lokala elbolag om du är osäker på vilken typ av strömförsörjning som finns i din bostad.
12. Håll enheten utom räckhåll för djur. Vissa djur kan bita på strömkablar.
13. Använd en mjuk och torr trasa för att rengöra enheten. Lösningemedel eller bensinbaserade vätskor får inte användas.
Använd en fuktig trasa med utspätt diskmedel för att ta bort svåra fläckar.
14. Leverantören ansvarar inte för skador eller förlorade data orsakade av fel, missbruk, modifiering av enheten eller batteribyte.
15. Anslutningen får inte avbrytas när enheten formaterar eller överför filer. Detta kan medföra att data skadas eller raderas.
16. Om enheten har en funktion med USB-uppspelning bör USB-minnet anslutas direkt till enheten. Använd inte en USB-förlängningskabel eftersom den kan orsaka störningar som kan leda till dataförlust.
17. Typskylten sitter på enhetens undersida eller baksida.
18. Den här enheten är inte avsedd för att användas av personer (inklusive barn) med fysiska, sensoriska eller psykiska funktionshinder eller brist på erfarenhet och kunskap såvida de inte är under övervakning av eller har fått instruktioner om korrekt användning av enheten av den person som ansvarar för deras säkerhet.
19. Den här produkten är endast avsedd för icke-professionell användning och inte för kommersiellt eller industriellt bruk.

20. Kontrollera att enheten har justerats så att den står stadigt. Skador orsakade av att produkten används i ett instabilt läge eller utsätts för vibrationer eller stötar eller av att någon annan varning eller försiktighetsåtgärd i denna bruksanvisning inte följs, täcks inte av garantin.
21. Ta aldrig bort enhetens hölje.
22. Eheten får aldrig ställas ovanpå annan elektrisk utrustning.
23. Håll plastpåsar utom räckhåll för barn.
24. Använd endast tillbehör som anges av tillverkaren.
25. Överlåt all service till kvalificerad servicepersonal. Service krävs när t.ex. nätsladden eller kontakten har skadats på något sätt, när vätska har spillts eller föremål har fallit ner i enheten, när enheten har utsatts för regn eller fukt, inte fungerar normalt eller har tappats.
26. Lång exponering för höga ljud från musikspelare kan leda till tillfällig eller permanent hörselnedsättning.
27. Om produkten levereras med strömkabel eller nätadapter:
 - Dra ur strömkabeln och kontakta behörig personal för service om ett problem uppstår.
 - Trampa inte på nätadaptern och kläm den inte. Var mycket försiktig och då särskilt nära kontakter och kabelns uttag. Tunga föremål får inte placeras på nätadaptern då detta kan medföra att den skadas. Håll hela enheten utom räckhåll för barn! Om de leker med strömkabeln kan det orsaka allvarliga personskador.
 - Koppla bort enheten vid åskväder eller om den inte används under en längre tidsperiod.
 - Eluttaget måste vara placerat nära utrustningen och vara lättillgängligt.
 - Eluttaget och förlängningskablar får inte överbelastas. Överbelastning kan orsaka brand eller medföra elektriska stötar.
 - Enheter med konstruktion av klass 1 ska anslutas till ett jordat eluttag.
 - Enheter med klass 2-konstruktion kräver ingen jordad anslutning.
 - Håll alltid i kontakten när du drar ut den ur vägguttaget. Dra inte i strömkabeln. Detta kan orsaka en kortslutning.
 - En skadad strömkabel, kontakt eller ett löst eluttag får inte användas. De kan orsaka brand eller medföra elektriska stötar.
28. Om produkten innehåller eller levereras med en fjärrkontroll som innehåller mynt/cellbatterier:

Varning:

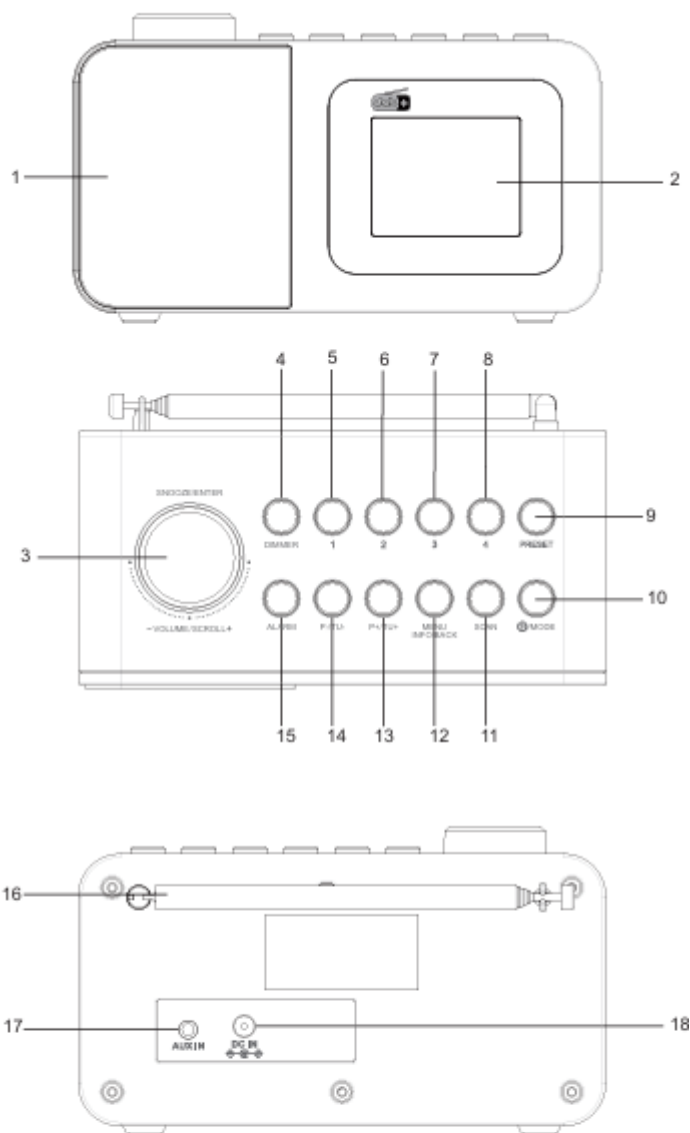
 - "Svälj inte batterier då kemiska brännskador" eller motsvarande kan uppstå.
 - (Den medföljande fjärrkontrollen) Denna produkt innehåller ett knappcells batteri. Om batteriet sväljs kan det orsaka allvarliga inre brännskador på bara två timmar och vara livshotande.
 - Håll nya och förbrukade batterier utom räckhåll för barn.
 - Sluta använda produkten om batterifacket inte går att stänga ordentligt, och håll den utom räckhåll för barn.
 - Om du tror att batterier har förtärts eller finns inuti någon del av kroppen måste du omedelbart söka läkarvård.
29. Försiktighetsuppmaning vid användning av batterier:
 - Explosionsrisk om batteriet byts ut på ett felaktigt sätt. Batteriet måste bytas mot samma eller en likvärdig typ.
 - Batteriet får inte utsättas för extremt höga eller låga temperaturer samt lågt lufttryck vid hög höjd, vid användning, förvaring eller transport.
 - Byte av ett batteri mot en felaktig typ kan medföra explosion eller läckage av brandfarlig vätska och/eller gas.
 - Avfallshantering av ett batteri på en öppen eld, i en varm ugn, mekanisk krossning eller kapning kan medföra explosion.
 - Batteriet får inte lämnas i en miljö med extremt hög temperatur då detta kan medföra explosion eller läckage av brandfarlig vätska och/eller gas.
 - Batteriet får inte utsättas för extremt lågt lufttryck, då detta kan medföra explosion eller läckage av brandfarlig vätska och/eller gas.
 - Miljöaspekter måste iakttagas vid avfallshantering av batterier.

INSTALLATION

- Packa upp alla delar och ta bort skyddsmaterialet.

- Anslut inte enheten till elnätet innan du kontrollerar nätspänningen och att alla andra anslutningar har gjorts.

LOCATION OF CONTROLS



INNEHÅLL

REGLAGENS PLACERING

1. Högtalare
2. LCD-skärm
3. Volym/Scroll -/+
4. DIMNING
5. P1
6. P2
7. P3
8. P4
9. Förinställning
10. Ström/Läge
11. Skanna
12. Meny/Info/Tillbaka
13. P+/TU+
14. P-/TU-
15. Larm
16. Antenn
17. Aux in-uttag
18. DC in

INNEHÅLL

TILLBEHÖR

Nätadapter



Bruksanvisning



STRÖMFÖRSÖRJNING

Anslut 5 V 1 A-adaptorns nätkabel till DC-uttaget på radion.

Tryck på "POWER"-knappen (STRÖM) för att slå på enheten från standby-läge.

Tryck på "MODE"-knappen (LÄGE) för att välja DAB-, FM- eller Aux-läge.

Tryck ned "POWER"-knappen (STRÖM) för att återgå till standby-läge.

DIMNING

Tryck på "DIMMER"-knappen (DIMNING) för att välja bakgrundsbelysningsnivå:

Hög/Medel/Låg

VOLYM

Justera vredet "VOLUME+/-" (VOLYM+/-) för att välja volymnivå.

<<DAB ELLER FM-RADIOKONTROLL>>

ANTENN

Utöka eller justera antennens position för bäst mottagning.

FULLSTÄNDIG SKANNING

Tryck på "SCAN"-knappen (SKANNA) för att göra en fullständig sökning i FM- eller DAB-läge.

Några lämpliga signalstationer finns lagrade.

Den första lagrade stationen sänds automatiskt efter att hela sökningen har slutförts.

MANUELL SKANNING

Håll in knappen "TU+" eller "TU-" för att öppna menyn för manuell inställning. Vrid

knappen "VOLUME+/-" (VOLYM+/-) för att välja frekvens.

ÅTERKALLA FÖRINSTÄLLNING

Tryck på knappen "P+ eller P-" för att hämta de sparade stationerna

Tryck på "PRESET"-knappen (FÖRINSTÄLLNING) för att återkalla stationen från 1 till 30 (FM = 30 stationer, DAB = 30 stationer)

LAGRA FÖRINSTÄLLNING

Håll in "PRESET"-knappen (FÖRINSTÄLLNING) för att spara stationen från 1 till 30 (FM = 30 stationer, DAB = 30 stationer)

SNABB FÖRINSTÄLLNING LAGRING OCH ÅTERKALLELSE

Tryck ned knappen "P1", "P2", "P3" eller "P4" för att spara stationen.

Tryck på knappen "P1", "P2", "P3" eller "P4" för att hämta stationen.

FM-INFORMATION

Tryck på "INFO"-knappen för att visa information: Radiotext, PTY, Namn, Mono eller Dagens datum

DAB-INFORMATION

Tryck på "INFO"-knappen för att visa viss information: Rullning av radiotext, Signalstyrka, Programtyp, Multiplexnamn, Bithastighet, Frekvens eller Dagens datum

AUX-IN

Koppla ihop enhetens Aux-in-uttag och den externa ljudspelaren via Aux-in-kabeln för 3,5 mm uttag (medföljer ej)

Volymkontroll av enheten och extern ljudspelare.

Andra musikkontroller hanteras endast av den externa ljudkällan.

<< ALLMÄN MENYKONTROLL >>

Tryck ned "MENU"-knappen (MENY) i menyn i läget Standby, DAB, FM eller Aux.

Tryck på "BACK"-knappen (TILLBAKA) för att gå tillbaka till föregående sida.

Justera vredet "SCROLL+/-" (SCROLLA) för att välja ett alternativ.

Tryck på knappen "ENTER" för att bekräfta valet.

*Olika menyalternativ i Standby-, DAB-, FM- eller Aux-läge.

*Asterisken bakom alternativet anger den aktuella inställningen

SYSTEM

Välj ett alternativ: Sova, Larm, Tid, Bakgrundsbelysning, Språk, Fabriksinställning eller SW-version.

SOVA

Välj ett alternativ: Av, 15, 30, 45, 60 eller 90 minuter.

LARM

*Tryck dessutom på "ALARM"-knappen (LARM) för att aktivera larminställningen.

Välj alternativet under processen:

Larm 1 eller 2

I tid

Varaktighet: 15, 30, 45, 60 eller 90 minuter

Källa: DAB, FM eller summer

Cykel: Dagligen, En gång, Helger eller Veckodagar

Datum: DD-M-ÅÅÅÅ (*Enbart en gång)

Volymnivå

På eller AV

*Ikonen för Larm 1 och Larm 2 visas när larmet är aktiverat

*Volymen ökar gradvis tills den inställda volymnivån nås.

*Den motsvarande larmikonen blinkar på displayen.

SNOOZE/LARM AV

1. Tryck på "SNOOZE"-knappen för att stoppa larmet tillfälligt.
2. Larmet aktiveras igen efter 9 minuter.
3. Tryck på knappen "POWER" (STRÖM) eller "ALARM" (LARM) för att avbryta snooze- och larmfunktionen.

TID

Välj ett alternativ:

Tid/datum

Automatisk uppdatering: Alla, DAB, FM eller Ingen uppdatering

12/24 timmar

Datumformat: DD-MM-ÅÅÅÅ eller MM-DD-ÅÅÅÅ

BAKGRUNDSBELYSNING

Välj ett alternativ:

Tidsgräns: 10, 20, 30, 45, 60, 90, 120, 180 sek eller På

Nivå vid uppstart: Hög/Medel/Låg

Dämpad nivå: Hög/Medel/Låg

SPRÅK

Välj ett alternativ: Engelska, tyska, italienska, franska, nederländska, spanska eller polska.

FABRIKSINSTÄLLNING

Välj "YES" eller "No" (Ja/Nej) för att återställa standardinställningen.

PROGRAMVARUVERSION

Kontrollera programvaruversionen.

<<DAB-MENY>>

Fullständig skanning, Manuell inställning, DRC, Rensa, Announcement eller system.

FULLSTÄNDIG SKANNING

Automatisk sökning och lagring av radiostationer

MANUELL JUSTERING

Skanna den specifika radiofrekvensen manuellt

DRC (Dynamisk områdeskontroll)

Välj alternativet för radiokompensation: DRC av, DRC låg, DRC hög

RENSA

Välj "YES" eller "No" (Ja/Nej) för att ta bort ogiltiga "?"-stationer efter automatisk skanning.

MEDDELANDE

Välj ett alternativ: Av, På, Ingen TA eller Endast TA.

<<FM-MENY>>

Välj ett alternativ: Skanningsinställning, Ljudinställning eller System.

SKANNINGSINSTÄLLNINGAR

Välj ett alternativ: Alla stationer eller Endast stark station

LJUDINSTÄLLNING

Välj ett alternativ: Stereo tillåten eller Forcerad mono

TEKNISKA SPECIFIKATIONER

Frekvensintervall:

FM 88–108 MHz

DAB / DAB +: 174,928 ~ 239,200 MHz

30 stationer förinställda i minnet = DAB

30 stationer förinställda i minnet = FM

AC-adapter: Inmatning: AC 100–240 V ~ 50/60 Hz 0,3 A max.

Utmatning: 5 VDC/1 A

Energiförbrukning: 5 W

Enhet dimension: 155 (L) x 80 (D) x 75 (H) cm

Vikt: 0,32 kg (exklusive adapter)

Specifikation för strömadapter

Information	Värde och precision
Tillverkarens namn eller varumärke, kommersiellt registreringsnummer och adress	DongGuan Obelieve Electronic Co., Ltd
	Huazhaoxin Industrial Park B-4/F, Golden Phoenix Industrial Zone, Fenggan Town, Donggyan, GuangDong Province, Folkrepubliken Kina
Modellmärkning	OBL-0501000E
Matningsspänning	100–240 V
Inspänningens frekvens	50/60 Hz
Utspänning	5,0 V
Utström	1 A
Uteffekt	5,0 W
Genomsnittlig verkningsgrad i aktivt läge	73,62
Verkningsgrad vid låg belastning (10 %)	76,52
Effektförbrukning utan belastning	0,081 W

Garanti

Commaxx B.V. erbjuder service och garanti i enlighet med europeisk lagstiftning, vilket innebär att du vid fall av reparationer (både under och efter garantins giltighetsperiod) ska kontakta din lokala återförsäljare.

Viktig information: Det går inte att skicka produkter som behöver repareras direkt till Commaxx B.V. Enheten är inte lämplig för professionellt bruk. Vid professionell användning, upphör tillverkarens samtliga garantier att gälla.

Friskrivningsklausul

Uppdateringar av inbyggd programvara och/eller hårdvarukomponenter görs regelbundet. Därför är en del av instruktionerna,

i den här bruksanvisningen endast avsedda som illustrationer och kanske inte är tillämpliga på en viss situation.

Inga juridiska rättigheter eller anspråk kan erhållas utifrån beskrivningen i den här bruksanvisningen.



Kassering av en gammal enhet

Denna symbol anger att den relevanta elektriska produkten eller batteriet ska inte kasseras i det allmänna hushållsavfallet i Europa. När den korrekta avfallsbehandlingen för produkten och batteriet ska säkerställas, ska elektrisk utrustning eller batterier kasseras i enlighet med varje krav på tillämplig lokal lagstiftning. Genom detta handlande bidrar du till att återvinna naturresurser och förbättra normer för miljöskydd och kassering av elektrisk avfall (elektrisk och elektronisk utrustning).

FÖRSÄKRAN OM EFTERLEVNAD

Härmed intygar Commaxx att radioutrustningen av typen [Lenco CR-625] överensstämmer med direktiv 2014/53/EU. Den fullständiga texten gällande EU-försäkran om överensstämmelse finns på följande internetadress:

https://commaxx-certificates.com/doc/cr-625_doc.pdf

RF-typ	Frekvensintervall (MHz)	Effekt (dBm)
DAB	174–240	-
FM	87,5–108	-

Service

För mer information och support via vår helpdesk går du till www.lenco.com

Commaxx B.V. Wiebachstraat 37, 6466 NG Kerkrade, The Netherlands