

Classic Phono by Lenco

Model: TCD-2571



User Manual - Wooden Turntable with Bluetooth, FM/DAB+ radio, USB encoding, CD and Cassette Player

Gebbruikshandleiding - houten platenspeler met Bluetooth, FM/DAB+-radio, USB-codering, cd- en cassettespeler

Bedienungsanleitung - Plattenspieler aus Holz mit Bluetooth, UKW/DAB+-Radio, USB-Codierung, CD- und Kassettenspieler

manuel d'utilisation - Tourne-disques en bois avec Bluetooth, radio FM/DAB+, encodage USB, lecteur de CD et de cassette

Manual de usuario - Tocadiscos de madera con Bluetooth, radio FM/DAB+, conexión USB, reproductor CD y cassette

Brugervejledning – pladespiller i træ med Bluetooth, FM/DAB+-radio, USB-kodning, CD- og kasetteafspiller

Bruksanvisning – Skivspelare i trä med Bluetooth, FM/DAB+-radio, USB-kodning, CD- och bandspelare

Käyttöopas – Puinen levysoitin, jossa Bluetooth, FM/DAB+ radio, USB-koodaus, CD- ja kasettisoitin

Index

ENGLISH.....	3
NEDERLANDS.....	19
DEUTSCH	37
FRANÇAIS	56
ESPAÑOL.....	74
DANSK/NORSK.....	92
SVENSKA.....	110
SUOMI	128

CAUTION:

Usage of controls or adjustments or performance of procedures other than those specified herein may result in hazardous radiation exposure.

PRECAUTIONS BEFORE USE**KEEP THESE INSTRUCTIONS IN MIND:**

1. Do not cover or block any ventilation openings. When placing the device on a shelf, leave 5 cm (2") free space around the whole device.
2. Install in accordance with the supplied user manual.
3. Keep the device away from heat sources such as radiators, heaters, stoves, candles and other heat-generating products or naked flame. The device can only be used in moderate climates. Extremely cold or warm environments should be avoided. Working temperature between 0° and 35°C.
4. Avoid using the device near strong magnetic fields.
5. Electrostatic discharge can disturb normal usage of this device. If so, simply reset and restart the device following the instruction manual. During file transmission, please handle with care and operate in a static-free environment.
6. Warning! Never insert an object into the product through the vents or openings. High voltage flows through the product and inserting an object can cause electric shock and/or short circuit internal parts. For the same reason, do not spill water or liquid on the product.
7. Do not use in wet or moist areas such as bathrooms, steamy kitchens or near swimming pools.
8. The device shall not be exposed to dripping or splashing and make sure that no objects filled with liquids, such as vases, are placed on or near the apparatus.
9. Do not use this device when condensation may occur. When the unit is used in a warm wet room with damp, water droplets or condensation may occur inside the unit and the unit may not function properly; let the unit stand in power OFF for 1 or 2 hours before turning on the power: the unit should be dry before getting any power.
10. Although this device is manufactured with the utmost care and checked several times before leaving the factory, it is still possible that problems may occur, as with all electrical appliances. If you notice smoke, an excessive build-up of heat or any other unexpected phenomena, you should disconnect the plug from the main power socket immediately.
11. This device must operate on a power source as specified on the specification label. If you are not sure of the type of power supply used in your home, consult your dealer or local power company.
12. Keep away from animals. Some animals enjoy biting on power cords.
13. To clean the device, use a soft dry cloth. Do not use solvents or petrol based fluids. To remove severe stains, you may use a damp cloth with dilute detergent.
14. The supplier is not responsible for damage or lost data caused by malfunction, misuse, modification of the device or battery replacement.
15. Do not interrupt the connection when the device is formatting or transferring files. Otherwise, data may be corrupted or lost.
16. If the unit has USB playback function, the USB memory stick should be plugged into the unit directly. Don't use an USB extension cable because it can cause interference resulting in failing of data.
17. The rating label has been marked on the bottom or back panel of the device.
18. This device is not intended for use by people (including children) with physical, sensory or mental disabilities, or a lack of experience and knowledge, unless they're under supervision or have received instructions about the correct use of the device by the person who is responsible for their safety.
19. This product is intended for non professional use only and not for commercial or industrial use.
20. Make sure the unit is adjusted to a stable position. Damage caused by using this product in an unstable position vibrations or shocks or by failure to follow any other warning or precaution contained within this user manual will not be covered by warranty.
21. Never remove the casing of this device.

22. Never place this device on other electrical equipment.
23. Do not allow children access to plastic bags.
24. Only use attachments/accessories specified by the manufacturer.
25. Refer all servicing to qualified service personnel. Servicing is required when the device has been damaged in any way, such as the power supply cord or the plug, when liquid has been spilled or objects have fallen into the device, when the device has been exposed to rain or moisture, does not operate normally, or has been dropped.
26. Long exposure to loud sounds from personal music players may lead to temporary or permanent hearing loss.
27. If the product is delivered with power cable or AC power adaptor:
 - If any trouble occur, disconnect the AC power cord and refer servicing to qualified personnel.
 - Don't step on or pinch the power adaptor. Be very careful, particularly near the plugs and the cable's exit point. Do not place heavy items on the power adaptor, which may damage it. Keep the entire device out of children's reach! When playing with the power cable, they can seriously injure themselves.
 - Unplug this device during lightning storms or when unused for a long period.
 - The socket outlet must be installed near the equipment and must be easily accessible.
 - Do not overload ac outlets or extension cords. Overloading can cause fire or electric shock.
 - Devices with class 1 construction should be connected to a main socket outlet with a protective earthed connection.
 - Devices with class 2 construction do not require a earthed connection.
 - Always hold the plug when pulling it out of the main supply socket. Do not pull the power cord. This can cause a short circuit.
 - Do not use a damaged power cord or plug or a loose outlet. Doing so may result in fire or electric shock.
28. If the product contains or is delivered with a remote control containing coin/cell batteries:

Warning:

 - "Do not ingest battery, Chemical Burn Hazard" or equivalent working.
 - [The remote control supplied with] This product contains a coin/button cell battery. If the battery is swallowed, it can cause severe internal burns in just 2 hours and can lead to death.
 - Keep new and used batteries away from children.
 - If the battery compartment does not close securely, stop using the product and keep it away from children.
 - If you think batteries might have been swallowed or placed inside any part of the body, seek immediate medical attention.
29. Caution about the use of Batteries:
 - Danger of explosion if battery is incorrectly replaced. Replace only with the same or equivalent type.
 - Battery cannot be subjected to high or low extreme temperatures, low air pressure at high altitude during use, storage or transportation.
 - Replacement of a battery with an incorrect type that can result in an explosion or the leakage of flammable liquid or gas.
 - Disposal of a battery into fire or a hot oven, or mechanically crushing or cutting of a battery, that can result in an explosion.
 - Leaving a battery in an extremely high temperature surrounding environment that can result in an explosion or that leakage of flammable liquid or gas.
 - A battery subjected to extremely low air pressure that may result in an explosion or the leakage of flammable liquid or gas.
 - Attention should be drawn to the environmental aspects of battery disposal.

INSTALLATION

- Unpack all parts and remove protective material.
- Do not connect the unit to the mains before checking the mains voltage and before all other connections have been made.

WARNING

Class 1 Laser Product

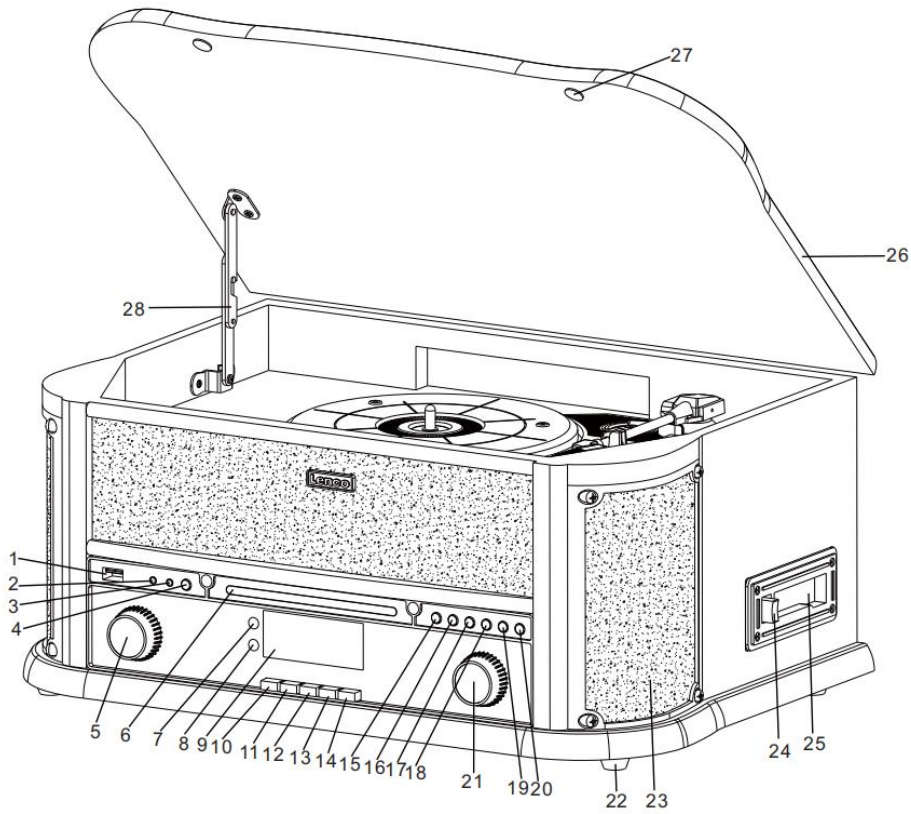
CLASS 1 LASER PRODUCT
APPAREIL Á LASER DE CLASSE 1
PRODUCTO LASER DE CLASE 1

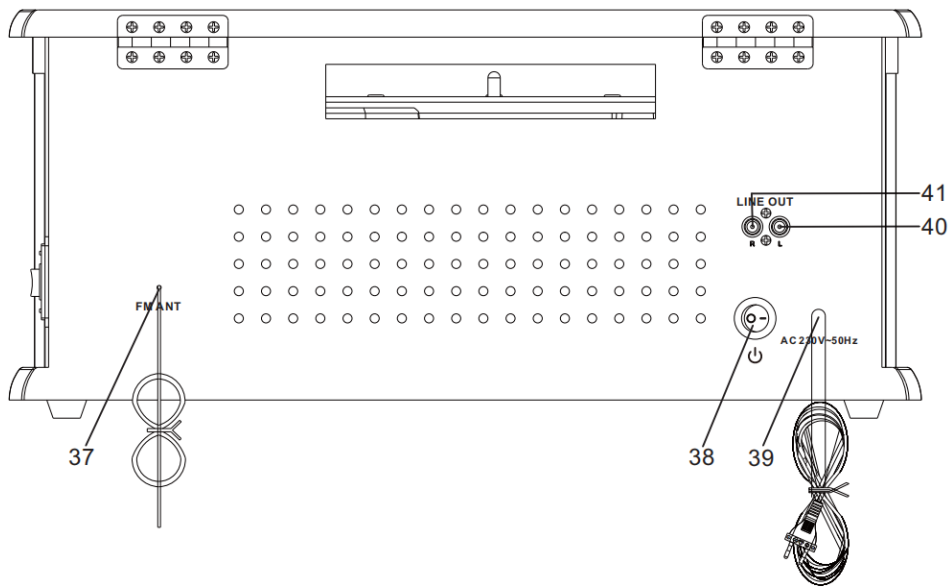
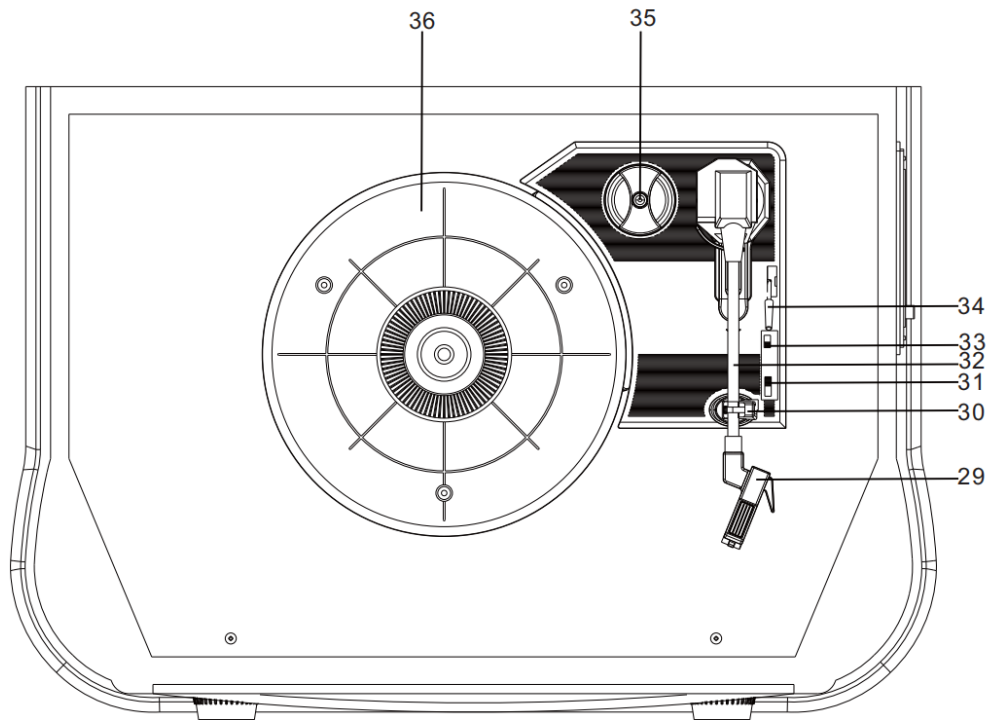
CAUTION
INVISIBLE LASER RADIATION
WHEN OPEN AND INTERLOCKS
DEFEATED.
AVOID EXPOSURE TO BEAM

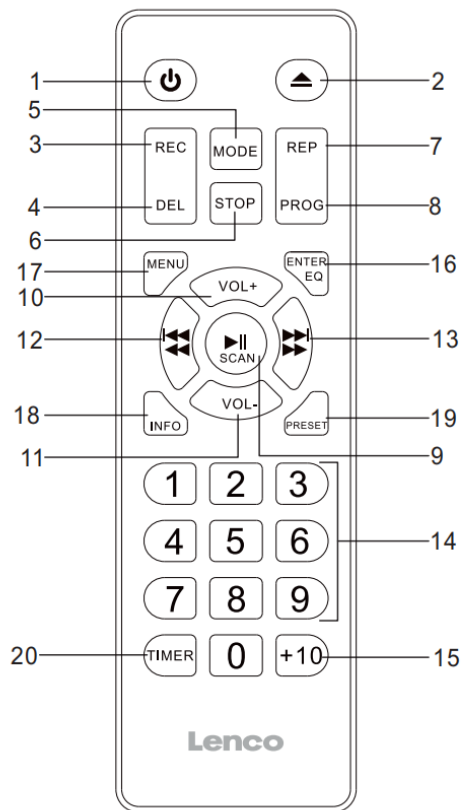


This product contains a low power laser device.

Warning: Do not touch the lens.







Your new unit was manufactured and assembled under strict standard quality control. Thank-you for purchasing our product for your music enjoyment. Before operating the unit, please read this instruction manual carefully. Keep it also handy for further future references.

LOCATION OF CONTROLS

1. USB SOCKET
2. 3.5MM AUX-IN JACK
3. 3.5MM HEADPHONE JACK
4. FUNCTION BUTTON (DAB/FM/BLUETOOTH/CD/USB/PHONO/TAPE/AUX)
5. VOLUME KNOB/POWER STANBY
6. CD DOOR
7. REMOTE SENSOR
8. POWER LED
9. LCM DISPLAY
10. MENU BUTTON
11. INFO BUTTON
12. SCAN BUTTON
13. PRESET BUTTON
14. ENTER/EQ BUTTON

15. PLAR/PAUSE BUTTON
16. STOP BUTTON
17. DN/F-R BUTTON
18. UP/F-F BUTTON
19. REC/DEL (RECORD BUTTON/DELETE BUTTON)
20. CD DOOR OPEN/CLOSE BUTTON
21. TUNING BOTTON/PLAY.MODE
22. PLASTIC FOOT PAD
23. SPEAKERS
24. TAPE STOP/EJECT BUTTON
25. CASSETTE MECHANISM
26. DUST COVER
27. DUST COVER PAD
28. HINGE
29. CARTRIDGE
30. PICK-UP HOLDER
31. 33/45/78 RPM SPEED SELECTOR
32. TONE ARM
33. Auto-stop ON/OFF
34. TURNTABLE PAUSE SWITCH
35. ADAPTOR
36. TURNTABLE
37. FM/DAB ANTENNA
38. ON/OFF SWITCH
39. AC POWER CORD
- 40/41. LINE OUT SOCKETS(R+L)

REMOTE CONTROL

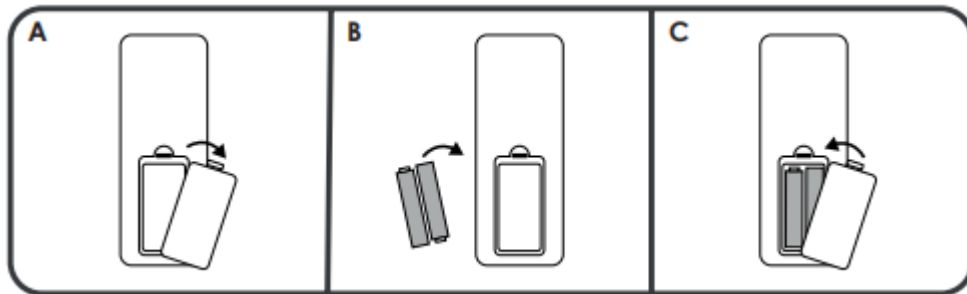
1. POWER ON/OFF
2. OPEN/CLOSE CD DOOR
3. REC: in CD/AUX IN/DAB/PHONO/CASSETTE/BT mode, press to active recording function.
4. DELETE BUTTON
5. MODE BUTTON to select source CD/USB/BT/DAB/FM/TAPE/PHONO/AUX IN.
6. STOP BUTTON
7. REPEAT BUTTON to select repeat playback (CD/USB).
8. PROGRAM: in CD/USB mode, press to active programming function.
9. PLAY/PAUSE/SCAN: in CD/USB mode, press once to start playback, press again to enter pause mode. Start a full scan in DAB or FM.
10. VOLUME + BUTTON
11. VOLUME - BUTTON
12. SKIP- BUTTON/REWIND BUTTON
13. SKIP+ BUTTON/FAST FORWARD BUTTON
14. NUMBER BLOCK 0-9
15. 10+ Track Button to select 2-digit numbers.

16. ENTER/EQ BUTTON
17. MENU BUTTON
18. INFO BUTTON to show information in DAB/FM/CD.
19. PRESET BUTTON to open the favorite list and recall a station.
20. TIMER BUTTON: sleep timer

Batteries for Remote Control

The infrared remote control requires 2xAAA Batteries (excluded)

- A) Remove the battery compartment cover
- B) Insert 2xAAA batteries according to the markings inside the compartment.
- C) Close the compartment.



POWER SUPPLY

This unit operates from a main supply of 100-250V~ 50Hz/60Hz. Connect the AC power cord to the AC household main outlet. Ensure that the voltage is as indicated on the rating plate on the rear of the unit.

Connect the unit to the power supply. Switch ON/OFF SWITCH (38) to ON position to turn the unit ON. Switch ON/OFF SWITCH (38) to OFF position to switch the unit OFF.

This unit has two working modes:

STANDBY MODE: The display shows the current time and the speakers and backlight are off.

PLAYBACK MODE: The blue backlight is on and you can listen to music.

When no sound is produced, the unit will switch to STANDBY MODE automatically after 15 minutes.

To switch between PLAYBACK MODE and STANDBY MODE, Push the volume/power knob once is ON, push the Volume/Power knob again is OFF

SLEEP SETTING

1. This function enables you to go to sleep listening to the Radio.
2. While listening to music, press and hold TIMER (20 on remote) and press TIMER again to select between OFF/15/30/45/60/90.

The radio will turn off automatically after the selected sleep timer.

SYSTEM SETTINGS

In all modes, press MENU button (10) (17 on remote) and select SYSTEM:

- Alarm: select this option to set the alarm.
- Time: select this option to set the date and time.

- Backlight: select this option to change timeout/on level/display illumination.
- Language: select this option to change the system language.
- Factory Reset: select this option to reset the device to factory settings.
- Software Upgrade: select this option if a new software version is released.
- SW version: select this option to see the current software version.

TIME SETTING

1. Press MENU button (10) (17 on remote) and select SYSTEM to Time option.
2. Set time/date. Press SKIP+/- (17/18) (12/13 on remote) repeatedly to select 12/24 digits for hour. Press ENTER/EQ button (14) (16 on remote) again to confirm.
3. The hour digits will flash on the display. Press SKIP+/- (17/18) (12/13 on remote) repeatedly to set the correct hour. Press ENTER/EQ button (14) (16 on remote) again to confirm.
4. The minute digits will flash on the display. Press SKIP+/- (17/18) (12/13 on remote) repeatedly to set the correct minute. Press ENTER/EQ button (14) (16 on remote) again to confirm.
5. The day digits will flash on the display. Press SKIP+/- (17/18) (12/13 on remote) repeatedly to set the correct year. Press ENTER/EQ button (14) (16 on remote) again to confirm.
6. The month digits will flash on the display. Press SKIP+/- (17/18) (12/13 on remote) repeatedly to set the correct month. Press ENTER/EQ button (14) (16 on remote) again to confirm.
7. The year digits will flash on the display. Press SKIP+/- (17/18) (12/13 on remote) repeatedly to set the correct day. Press ENTER/EQ button (14) (16 on remote) again to confirm.

SETTING THE ALARM

1. Press MENU button (10) (17 on remote) and select SYSTEM to Alarm option or Simply press TIMER (20 on remote) repeatedly select Alarm 1 or 2.
2. Then press ENTER/EQ button (14) (16 on remote) to begin Alarms setting. You can press SKIP (12 or 13 on remote) and ENTER/EQ button to set ON TIME, Duration, Alarm Source, Alarm Frequency, and Alarm Volume Level, etc.
3. Once all the settings are done, you will see "Alarm Saved" and Alarm icon 1 or 2 on display
4. Once Alarm OFF is set, the Alarm Icon will disappear.

DAB MODE

Press function button (4) (5 on remote) repeatedly to select DAB mode.

Press SKIP+/- (17/18) (12/13 on remote) to search the program

DAB MENU

Press MENU (10) (17 on remote) to access to the options.

- Full Scan: select this option to perform a full scan of the available DAB programs. You can press SCAN (12) to perform the same action.
- Manual Tune: select this option to select manually the DAB frequency.
- DRC: select this option to choose between DRC low, DRC high and DRC off.
- Prune: clear unavailable stations from the station List

DAB PRESET

You can program a maximum of 20 preset radio stations.

- Press and hold PRESET (13) (19 on remote). PRESET STORE will appear on display. Press SKIP+/- (17/18) (12/13 on remote) to select the preset number. Press ENTER (14) (16 on remote) to confirm.
- Press PRESET (13) (19 on remote) to navigate through the presets.

DAB INFO

Repeatedly press INFO (11) (18 on remote) to see the following information NAME/KBPS/DATE/TIME.

IMPORTANT INFORMATION REGARDING DAB+ RECEPTION

DAB+ radio reception is different from FM radio reception.

- In FM, you can often still receive a weak station, but probably with a rustling or crackling sound.
- DAB + reception works digitally and if there is not enough signal you hear nothing. No hiss or crackle as with FM. This is not due to the radio, but to the fact that there is not enough DAB+ signal at that location.
- DAB + rule is: no or weak reception = no sound.

What can you do if you do not have direct DAB+ reception.

- Always point the antenna straight up vertically first.
- Do not place the radio too close to potential sources of interference such as, battery chargers, rotating machinery, computers, large metal surfaces, etc.
- Move the radio a few meters.
- Turn on the radio and activate a full scan in the DAB+ menu
- In the display of the radio you will see the progress of the scan and the number of stations found in the current position of the radio.

Important

- With DAB+ reception, there can be a very big difference in reception level between one location and "a few meters away". In case of a local weak DAB+ signal, move the radio to find a stronger signal.
- If you take the radio to another location, perform a full scan again. This will show you which DAB+ stations can be received there.

FM MODE

Press function button (4) (5 on remote) repeatedly to select FM mode.

Turn the TUNING KNOB (21) to manually select the frequency.

FM MENU

Press MENU (10) (17 on remote) to access to the options.

- Scan Setting: select this option to choose between scanning all stations or only the strong stations.
- Audio Setting: select this option to choose between forcing mono audio or allowing stereo Sound.

FM PRESET

See DAB PRESET instructions.

FM INFO

Repeatedly press INFO (11) (18 on remote) to see the following information: KIND OF PROGRAM/FREQUENCY/AUDIO/DATE/TIME.

LISTENING TO TAPE

1. Press function button (4) (5 on remote) repeatedly to select TAPE mode.
2. Load a cassette tape into the unit. The system will start playback automatically after inserting the cassette tape.
3. Press FFD/EJ (24) half inwards during playback mode. The tape will wind forward. Slightly press FFD/EJ (24) again to resume playback.
4. Press FFD/EJ (24) completely inwards and the cassette tape will be ejected through the CASSETTE MECHANISM (25).

PLAYING COMPACT DISC

1. Press function button (4) (5 on remote) repeatedly to select CD mode.
2. Press CD DOOR OPEN/CLOSE BUTTON (20) (2 on remote) to open the CD door. Place a CD with the printed side facing up inside the tray, then close the CD door. The first track will start playback.
 - Press SKIP -/+ (17/18) (12/13 on remote) to select your favorite tunes. If you hold SKIP -/+ (17/18) (12/13 on remote), the playing track will go fast backward or forward until you release the button.
 - Press PLAY/PAUSE (15) (9 on remote) to pause the playback. The track number will start blinking. Press PLAY/PAUSE (15) (9 on remote) again to resume the playback.
 - Press STOP (16) (6 on remote) to stop the playback.

REPEAT/RANDOM PLAY MODE

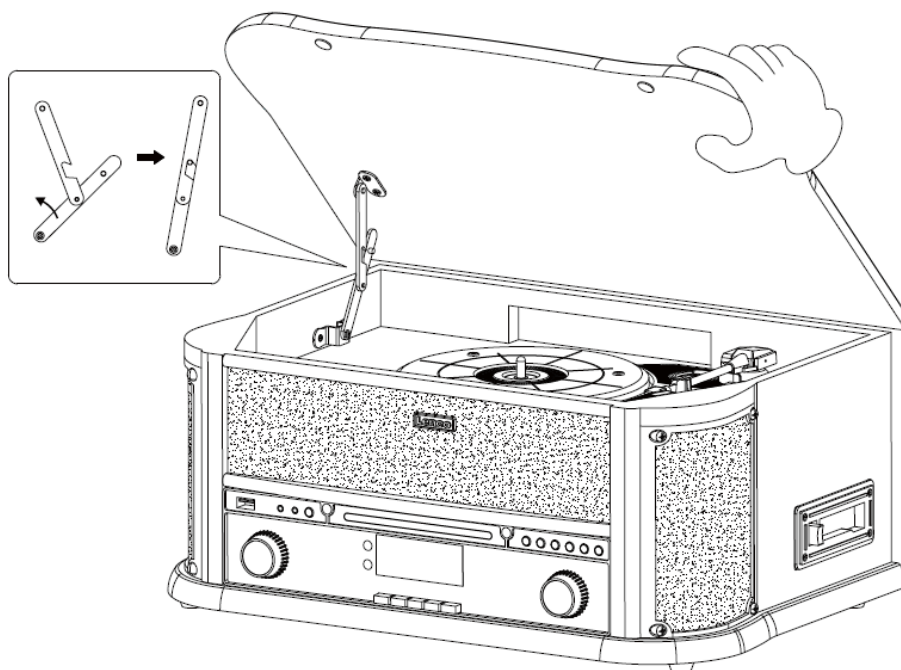
During CD/USB playback, repeatedly press (7) on remote to select:

- Repeat1: The current track is played repeatedly.
- Repeat DIR: The current folder is played repeatedly.
- Repeat All: All tracks are played repeatedly.
- SHUFFLE: a random selection of disc tracks.
- INTRO: to hear the first 10 seconds of a track.

CD PROGRAMMING

You can program up to 99 tracks to play in any desired order.

1. Insert a disc and press STOP (16) (6 on remote) when it starts playing.
2. Press (8) on remote. "P01" will be shown on the display.
3. Press SKIP +/- (17/18) (12/13 on remote) to select your favorite tunes.
4. Press (8) on remote to store the track in the program memory. "P02" will be shown on the display.
5. Repeat steps 3-4 to select and store all desired tracks.
6. Press PLAY/PAUSE (15) (9 on remote) to start program play.
7. Press STOP (16) (6 on remote) once to stop the program play. Press STOP (16) (6 on remote) twice to clear program.



How to Open/Close the Turntable Cover

To Open:

- Lift the Turntable cover all the way up until it stops.
- Lower the cover slowly until the latch engages. If the latch does not engage, pull the lower bar by hand.
- The cover will now stay open.

To Close

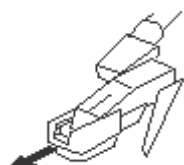
- Lift the cover all the way up until it stops.
- The latch should disengage. Slowly lower the cover. If the latch does not disengage, push out the lower bar by hand.

- Make sure you hold the cover carefully to avoid pinching your fingers as it closes.

LISTENING TO RECORDS

VERY IMPORTANT! (This operation only limited to the large turntable with this function)

1. Press MODE (4) (5 on remote) repeatedly to select PHONO mode.
2. Open the Record Player Cover. Release the Tonearm Clamp, and remove the stylus protector.



Place a record on the turntable, over the central spindle. Place the EP adapter over the central spindle when playing 17cm EP records.

3. Set 33/45/78 RPM SPEED SELECTOR (31) to 33/45/78 rpm according to the record.
4. Lift the Tonearm with the Tonearm Lift Lever. Move the tonearm to the beginning of the record, or to the start of a particular track. Gently lower the tone arm onto the record with the Tonearm Lift lever to start playing.
5. When the record is finished, the tonearm will automatically stop. To stop manually, lift the tonearm from the record and place it back on the rest.
6. Moving or jarring the turntable without securing the Tonearm clamp could result in damage to the Tonearm. Place the protective cap on the stylus when not in use.

Installing the Stylus

1. Hold the tip of the stylus and insert the stylus by pressing as shown in direction "B".
2. Push the stylus upward as in direction "C" until the stylus locks into the tip position.



Guide Pins (inside)

NOTES

We advise you to clean your records with an anti-static cloth to gain maximum enjoyment from them.

We would also point out that for the same reason your stylus should be replaced periodically (approximately every 250 playback hours)

AUX-IN

This unit provides an auxiliary audio input jack for connecting external audio device like MP3 players, CD players and allow playback of your external source through the system speakers.

1. Use an audio cable (not included) with a RCA stereo plugs on one end of the cable. Plug one end into the AUX-IN jack on the main unit and plug the other end of the cable into the LINE OUT or HEADPHONE Jack of your external audio device.
2. Turn ON the unit and your external audio device. Press function button (4) (5 on remote) repeatedly to select AUX IN mode
3. Start to play the external device (see the user manual of the external device).

BLUETOOTH OPERATION

1. Press function button (4) to select BLUETOOTH function. "Bluetooth" will be shown on the display.
2. Select from your portable device (Smartphone, Tablet...) the ID Bluetooth tagged as Lenco TCD-2571WD, then confirm connection.
3. When the pairing is successful the LCM will stop blinking.
4. Now you can transfer the music to the Lenco TCD-2571WD and all operations can only be operated from your mobile device.

This product operates at 2400 - 2483.5 MHz and is designated only to be used inside a normal household environment. This product is suited for this purpose within all EU counties.

ENCODING FROM Radio/DAB Radio

Plug USB Disk into USB socket. Press function button (4)(5 on remote) to switch the device to DAB or FM mode, using the TUNNING control tune or press SKIP+/- (17/18) (12/13 on remote) in the station from where you want to record the broadcast. Press the REC/DEL Button (19) (3 on remote) twice to start recording and "REC" will flashing on the display. Press STOP button (16) (6 on remote) to stop recording.

ENCODING FROM CD

Plug USB Disk into USB socket. During CD playing mode, press the REC/DEL button (19) (3 on remote) twice-ONE will flash on the display, it means we can select the song currently playing to be recorded; if wanted to select the entire CD to be recorded, press again Forward Skip button and "ALL" will flash on the display, press again REC/DEL button to start recording. Press STOP button (16) (6 on remote) to stop recording.

ENCODING FROM CD-MP3

The procedure to record from CD MP3 is the same as the one above, only instead of audio CD, if wanted to select the whole file folder (if CD have multiple folders) to be recorded, press Forward Skip button and "REC-FOLDER" will flash on the display, press again REC/DEL button to start recording. Press STOP button (16) (6 on remote) to stop recording.

ENCODING FROM CASSETTE

Plug USB Disk into USB socket. During TAPE playing mode, press the REC/DEL button (19) (3 on remote) twice to starting recording and "REC" will flash on the display. Press STOP button (16) (6 on remote) to stop recording.

ENCODING FROM PHONO

Plug USB Disk into USB socket. During PHONO playing mode, moving the tone arm over the desired place on the record and lower it on the record, press the REC/DEL button (19) (3 on remote) twice to starting recording and "REC" will flash on the display. Press STOP button (16) (6 on remote) to stop recording.

ENCODING FROM BLUETOOTH

Plug USB Disk into USB socket. During BLUETOOTH playing mode, press the REC/DEL button (19) (3 on remote) twice to starting recording your desired music and "REC" will flash on the display. Press STOP button (16) (6 on remote) to stop recording.

ENCODING FROM AUX

Plug USB Disk into USB socket. During AUX playing mode, to switch the external signal source to playback and press the REC/DEL button (19) (3 on remote) twice to starting recording, "REC" will flash on display. Press STOP button (16) (6 on remote) to stop recording.

PLAYBACK FROM USB

1. Insert the USB device's plug into the USB socket.
2. Press function button (4) (5 on remote) repeatedly to select USB mode.
3. The unit will start reading the device automatically after the connection.
4. Use the same procedure as CD to listen to your USB device.

DELETE USB

1. During playback, press and hold REC/DEL (19) (4 on remote). "DEL" will be shown on the display.
2. Press SKIP +/- (17/18) (12/13 on remote) repeatedly to select between ONE/FOLDER/ALL.
3. Press REC/DEL (19) (4 on remote) again to confirm.

EQ OPERATION

During playing mode, press the ENTER/EQ BUTTON (16 on remote) to choose from different sound effect among FLAT/POP/CLASSIC/ROCK/JAZZ/BASS.

SPECIFICATIONS

AC: 100-250v ~ 50Hz/60HZ

FM: 87.5 - 108MHz

DAB Band: BAND III

Design and specifications are subject to change without notice.

Guarantee

Commaxx B.V. offers service and warranty in accordance to European law, which means that in case of repairs (both during and after the warranty period) you should contact your local dealer.

Important note: It is not possible to send products that need repairs to Commaxx B.V. directly.

Important note: If this unit is opened or accessed by a non-official service center in any way, the warranty expires.

This device is not suitable for professional use. In case of professional use, all warranty obligations of the manufacturer will be voided.

Disclaimer

Updates to Firmware and/or hardware components are made regularly. Therefore some of the instruction, specifications and pictures in this documentation may differ slightly from your particular situation. All items described in this guide for illustration purposes only and may not apply to particular situation. No legal right or entitlements may be obtained from the description made in this manual.



Disposal of the Old Device

This symbol indicates that the relevant electrical product or battery should not be disposed of as general household waste in Europe. To ensure the correct waste treatment of the product and battery, please dispose them in accordance to any applicable local laws of requirement for disposal of electrical equipment or batteries. In so doing, you will help to conserve natural resources and improve standards of environmental protection in treatment and disposal of electrical waste (Waste Electrical and Electronic Equipment Directive).

DECLARATION OF CONFORMITY

Hereby, Commaxx declares that the radio equipment type [Lenco TCD-2571] is in compliance with directive 2014/53/EU. The full text of the EU declaration of conformity is available at the following internet address:

https://commaxx-certificates.com/doc/tcd-2571_doc.pdf

Type RF	Frequency range (MHz)	Power (dBm)
Bluetooth	2402-2480	<6
DAB	174-240	-
FM	87.5-108	-

Service

For more information and helpdesk support, please visit www.lenco.com

Commaxx B.V. Wiebachstraat 37, 6466 NG Kerkrade, The Netherlands.

VOORZICHTIG:

Het gebruik van bedieningen of afstellingen of het uitvoeren van procedures anders dan hierin gespecificeerd, kan leiden tot blootstelling aan gevaarlijke straling.

VOORZORGSMAATREGELEN VÓÓR GEBRUIK

ONTHOUD DEZE INSTRUCTIES:

1. Bedek of blokkeer geen van de ventilatieopeningen. Als u het apparaat op een rek plaatst, laat 5 cm (2") vrije ruimte rondom het volledige apparaat.
2. Installeer in overeenstemming met de meegeleverde gebruikshandleiding.
3. Houd het apparaat uit de buurt van warmtebronnen zoals radiatoren, kachels, fornuizen, kaarsen en andere warmtegenererende producten of open vuur. Het apparaat kan alleen worden gebruikt in gematigde klimaten. Extreem koude of warme omgevingen dienen te worden vermeden. Bedrijfstemperatuur tussen 0° en 35°C.
4. Gebruik het apparaat niet in de buurt van krachtige magnetische velden.
5. Elektrostatische ontlading kan de normale werking van dit apparaat verstoren. Indien dit het geval is, reset dan gewoon het apparaat en start het opnieuw op in navolging van de handleiding. Wees voorzichtig tijdens de bestandsoverdracht en voer dit uit in een omgeving zonder statische interferentie.
6. Waarschuwing! Steek geen voorwerpen in het product via de ventilatie- of andere openingen. Er is hoge spanning aanwezig in het product en als u er een voorwerp insteekt, kan dat tot elektrische schokken en/of kortsluiting van de interne onderdelen leiden. Laat om dezelfde reden geen water of vloeistof op het product terechtkomen.
7. Gebruik het apparaat niet in natte of vochtige ruimtes zoals badkamers, keukens met veel stoom of in de buurt van zwembaden.
8. Stel het apparaat niet bloot druppels of spetters en zorg ervoor dat er geen met vloeistof gevulde voorwerpen, zoals vazen, op of in de buurt van het apparaat worden geplaatst.
9. Gebruik dit apparaat niet als er condensatie kan optreden. Wanneer het apparaat in een warme en vochtige kamer wordt gebruikt, dan kunnen er waterdruppeltjes of condensatie binnenin het apparaat worden gevormd waardoor het apparaat mogelijk niet meer goed werkt; houd een apparaat 1 of 2 uur op UIT staan voordat u de voeding weer inschakelt: het apparaat dient droog te zijn voordat deze stroom ontvangt.
10. Al is dit apparaat met de grootste zorg vervaardigd en meerdere keren gecontroleerd voordat deze de fabriek verlaat, is het toch mogelijk dat er problemen optreden, zoals bij alle elektrische apparaten. Als u rook, overmatige warmteontwikkeling of andere onverwachte verschijnselen constateert, dient u onmiddellijk de stekker uit het stopcontact te trekken.
11. Dit apparaat moet van stroom worden voorzien door een bron zoals gespecificeerd op het nominale specificatielabel. Als u niet zeker weet welk type stroomvoorziening in uw huis wordt gebruikt, neem dan contact op met uw dealer of het plaatselijke energiebedrijf.
12. Houd uit de buurt van dieren. Sommige dieren houden ervan om aan stroomkabels te bijten.
13. Gebruik een zachte, droge doek om het apparaat schoon te maken. Gebruik geen oplosmiddelen of vloeistoffen op benzinebasis.
U kunt een vochtige doek met verdund schoonmaakmiddel gebruiken om hardnekkige vlekken te verwijderen.
14. De leverancier is niet verantwoordelijk voor schade of verlies van gegevens veroorzaakt door storing, misbruik, modificatie van het apparaat of vervanging van de batterij.
15. Zorg ervoor de verbinding niet te verbreken terwijl het apparaat bezig is met formatteren of bestandsoverdracht. Gegevens kunnen anders corrupt of verloren raken.
16. Als het apparaat een USB-afspeelfunctie heeft, moet de USB-geheugenstick rechtstreeks in het apparaat worden gestoken. Gebruik geen USB-verlengsnoer, omdat deze interferentie kan veroorzaken waardoor uw gegevens verloren kunnen gaan.
17. Het nominale specificatielabel is te vinden op het onder- of achterpaneel van het apparaat.
18. Dit product is niet bestemd voor gebruik door personen (waaronder kinderen) met verminderde fysieke, zintuiglijke of mentale capaciteiten, of met een tekort aan kennis en

- ervaring, tenzij een persoon verantwoordelijk voor hun veiligheid toezicht houdt of instructies heeft gegeven voor het correcte gebruik van het apparaat.
19. Dit product is uitsluitend bedoeld voor niet-professioneel gebruik en niet voor commercieel of industrieel gebruik.
 20. Zorg ervoor dit apparaat op een stabiele plek te plaatsen. Beschadigingen veroorzaakt door het gebruik van dit apparaat in een onstabiele positie, trillingen of schokken of door het niet opvolgen van andere waarschuwingen of voorzorgsmaatregelen beschreven in deze gebruikshandleiding, worden niet gedekt door de garantie.
 21. Verwijder nooit de behuizing van dit apparaat.
 22. Plaats dit apparaat nooit op andere elektrische apparatuur.
 23. Houd plastic zakken uit de buurt van kinderen.
 24. Gebruik alleen uitbreidingen/accessoires gespecificeerd door de fabrikant.
 25. Laat alle reparaties over aan bevoegd onderhoudspersoneel. Reparatie is vereist wanneer het apparaat op enigerlei wijze is beschadigd, zoals een beschadigde voedingskabel of stekker, wanneer vloeistof is gemorst of voorwerpen in het apparaat zijn gevallen, wanneer het apparaat is blootgesteld aan regen of vocht, niet normaal functioneert of is gevallen.
 26. Langdurige blootstelling aan harde geluiden van persoonlijke muzikspelers kan leiden tot tijdelijk of permanent gehoorverlies.
 27. Als het product wordt geleverd met een voedingskabel of AC-stroomadapter:
 - Als er problemen optreden, koppel de AC-voedingskabel dan los en laat reparaties over aan bevoegd personeel.
 - Niet op de stroomadapter gaan staan of deze indrukken. Wees zeer voorzichtig, vooral in de buurt van de stekkers en waar de kabel uit het apparaat komt. Plaats geen zware voorwerpen op de stroomadapter, om beschadiging ervan te voorkomen. Houd het gehele apparaat buiten bereik van kinderen! Wanneer kinderen met de voedingskabel spelen, kunnen zij ernstig letsel oplopen.
 - Koppel dit apparaat los tijdens onweer of wanneer deze voor een lange periode niet wordt gebruikt.
 - Het stopcontact moet in de buurt van de apparatuur zijn geïnstalleerd en eenvoudig te bereiken zijn.
 - Zorg ervoor stopcontacten of verlengsnoeren niet te overbelasten. Overbelasting kan tot brand of elektrische schokken leiden.
 - Apparaten met een klasse 1 constructie moeten worden aangesloten op een stopcontact met een beschermende aardeverbinding.
 - Apparaten met een klasse 2 constructie vereisen geen aardeverbinding.
 - Houd altijd de stekker vast wanneer u deze uit het stopcontact trekt. Trek niet aan de voedingskabel. Dit kan anders een kortsluiting veroorzaken.
 - Gebruik geen beschadigde voedingskabel of stekker of een los stopcontact. Dit kan anders leiden tot brand of elektrische schokken.
 28. Als het product een afstandsbediening met knoop-/celbatterijen bevat of daarmee wordt geleverd:

Waarschuwing:

 - "Batterij niet inslikken, gevaar op chemische brandwonden" of soortgelijke werking.
 - [De afstandsbediening meegeleverd met] Dit product bevat een knoop-/celbatterij. Als de batterij wordt ingeslikt, kan deze in slechts 2 uur ernstige en zelfs fatale interne brandwonden veroorzaken.
 - Houd zowel nieuwe als verbruikte batterijen uit de buurt van kinderen.
 - Als het batterijvak niet goed sluit, gebruik het product dan niet langer en houd het uit de buurt van kinderen.
 - Als u denkt dat batterijen zijn ingeslikt of in een lichaamsdeel zijn geplaatst, dient u onmiddellijk medische hulp in te roepen.
 29. Waarschuwing m.b.t. het gebruik van batterijen:
 - Risico op ontploffing als de batterij incorrect is geïnstalleerd. Vervang alleen door hetzelfde of een gelijkwaardig type.
 - Stel de batterij niet bloot aan extreem hoge of lage temperaturen of een lage luchtdruk op grote hoogte tijdens gebruik, opslag of transport.

- Vervanging van een batterij door een incorrect type kan leiden tot een ontploffing of de lekkage van ontvlambare vloeistoffen of gas.
- Verwijdering van een batterij in vuur of een hete oven of het mechanisch verpletteren of snijden van een batterij kan leiden tot een ontploffing.
- Laat een batterij nooit achter in omgevingen met extreem hoge temperaturen, anders kan dit leiden tot een ontploffing of de lekkage van ontvlambare vloeistoffen of gas.
- Stel een batterij nooit bloot aan een extreem lage luchtdruk, anders kan dit leiden tot een ontploffing of de lekkage van ontvlambare vloeistoffen of gas.
- Houd rekening met de impact op het milieu bij het afdanken van batterijen.

INSTALLATIE

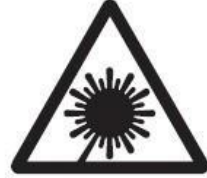
- Pak alle onderdelen uit en verwijder het beschermende materiaal.
- Sluit het apparaat niet aan op het lichtnet voordat de correcte netspanning is geverifieerd en alle andere aansluitingen tot stand zijn gebracht.

WAARSCHUWING

Klasse 1 Laserproduct

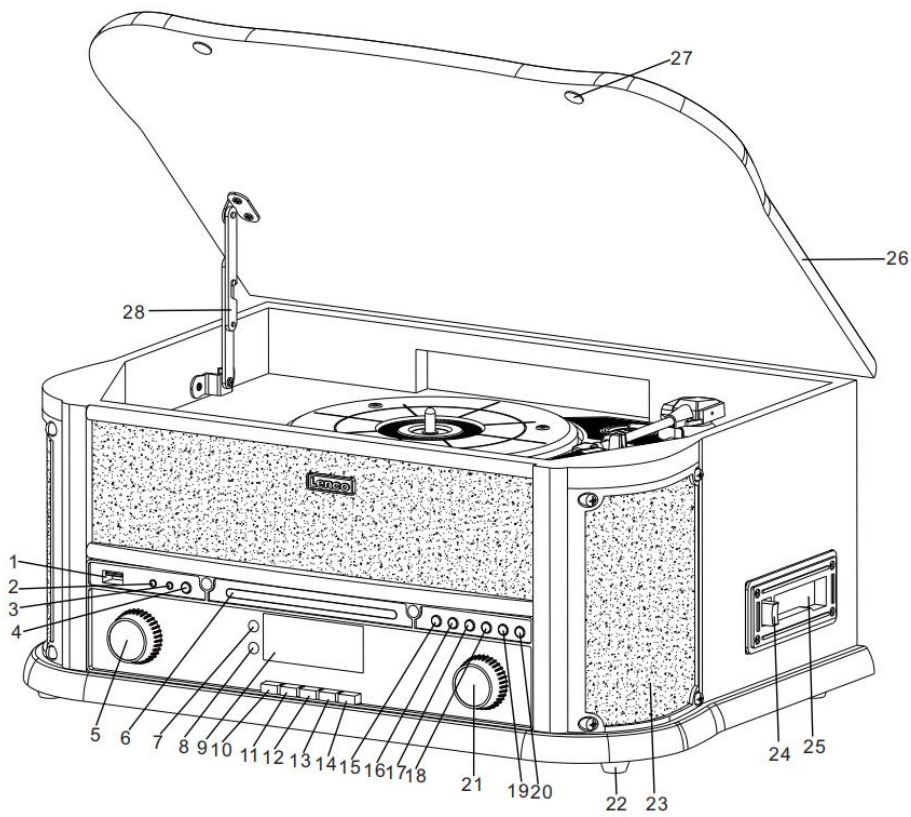
KLASSE 1 LASERPRODUCT
APPAREIL Á LASER DE CLASSE 1
PRODUCTO LASER DE CLASE 1

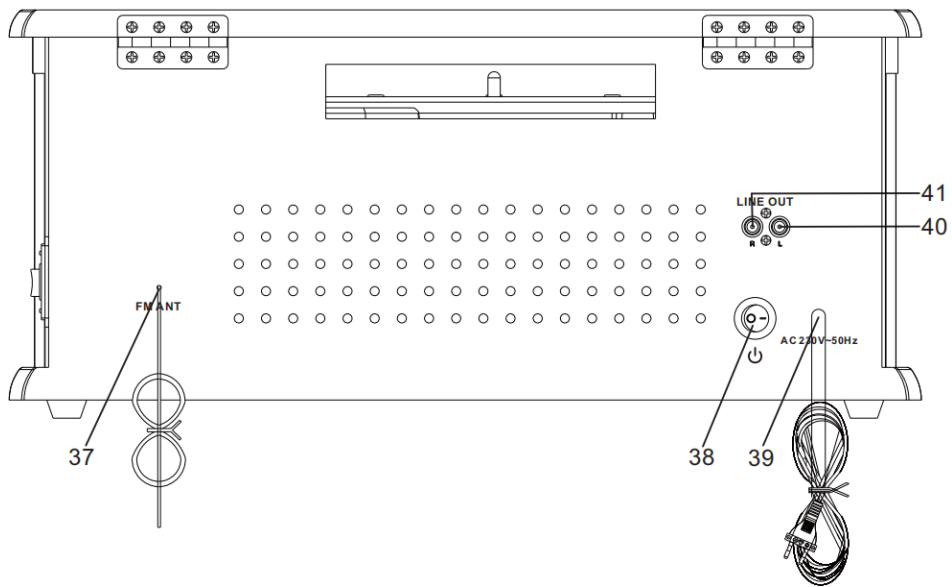
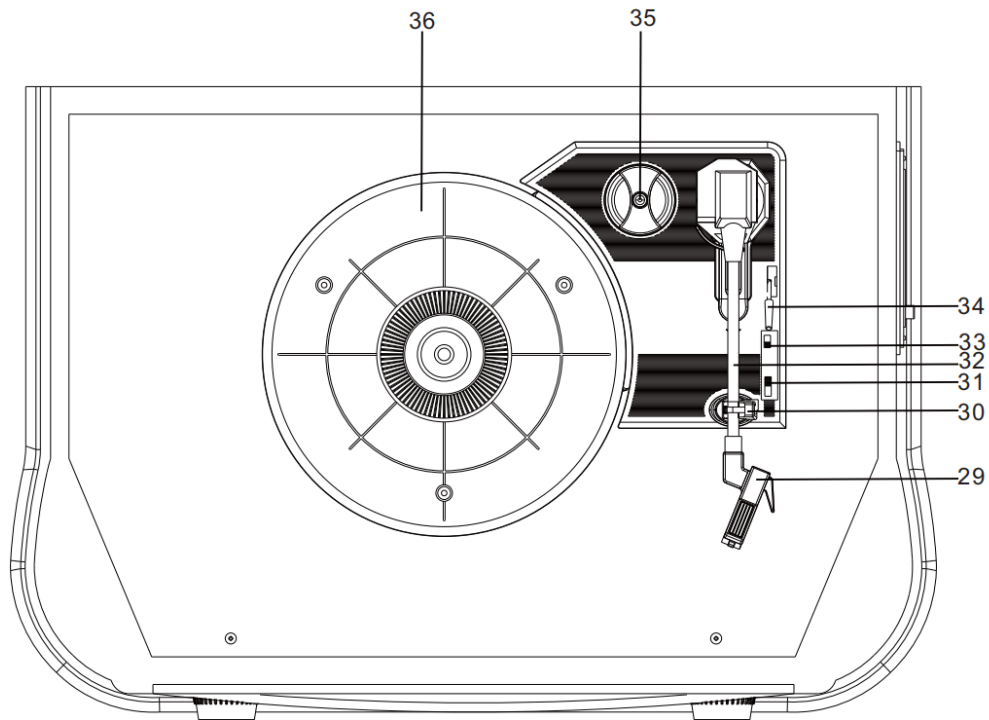
VOORZICHTIG
ONZICHTBARE LASERSTRALING INDIEN OPEN
EN VERGREDELINGEN UITGESCHAKELD.
VERMIJD BLOOTSTELLING AAN DE STRAAL

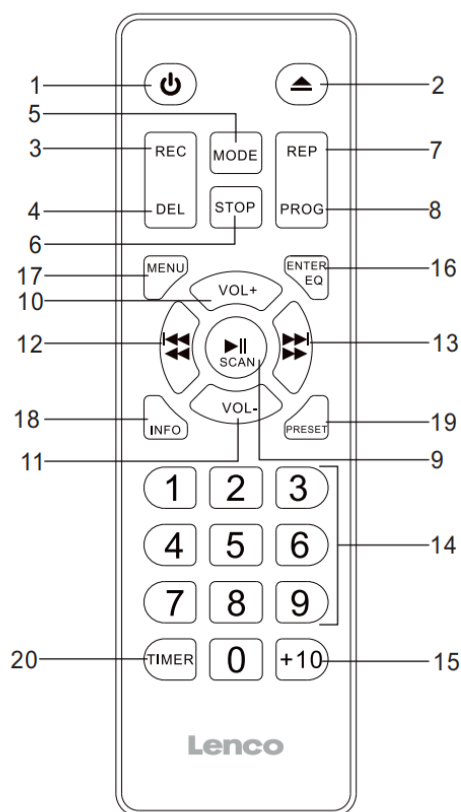


Dit product bevat een laserapparaat met laag vermogen.

Waarschuwing: De lens niet aanraken.







Uw nieuwe apparaat was vervaardigd en geassembleerd onder strikte standaard kwaliteitscontrole. Hartelijk bedankt voor het aanschaffen van ons product waarmee u optimaal van uw muziek kunt genieten. Lees deze instructiehandleiding zorgvuldig door voordat u het apparaat in gebruik neemt. Bewaar het bovendien voor toekomstig gebruik.

LOCATIE VAN DE BEDIENINGEN

1. USB-POORT
2. 3,5MM AUX-INGANG
3. 3,5MM HOOFDTELEFOONUITGANG
4. FUNCTIETOETS (DAB/FM/BLUETOOTH/CD/USB/PHONO/TAPE/AUX)
5. VOLUMETOETS/AAN/UIT/STAND-BY
6. CD-KLEPJE
7. AFSTANDBEDIENINGSENSOR
8. AAN-/UIT-LED
9. LCM-DISPLAY
10. MENU TOETS
11. INFORMATIETOETS
12. SCAN-toets
13. VOORKEUZE-TOETS

14. ENTER/EQ-TOETS
15. START-/PAUZETOETS
16. STOPTOETS
17. OMLAAG-/TERUGSPOELTOETS
18. OMHOOG-/VOORUITSPOELTOETS
19. REC/DEL (OPNAMETOETS/WISTOETS)
20. KNOP CD-KLEP OPENEN/SLUITEN
21. AFSTEMKNOP/AFSPEELMODUS
22. PLASTIC POOTJE
23. LUIDSPREKERS
24. KNOP CASSETTE STOPPEN/UITWERPEN
25. CASSETTEMECHANISME
26. STOFKAP
27. STOFKAPKUSSENTJE
28. SCHARNIER
29. PATROON
30. TOONARMSTEUN
31. 33/45/78-TOERENSCHAKELAAR
32. TOONARM
33. Automatische stop AAN/UIT
34. PAUZESCHAKELAAR VAN DRAAIPLATEAU
35. ADAPTER
36. DRAAIPLATEAU
37. FM-/DAB-ANTENNE
38. AAN-/UITSCHAKELAAR
39. AC-VOEDINGSKABEL
- 40/41. LIJNUITGANGEN (R+L)

AFSTANDSBEDIENING

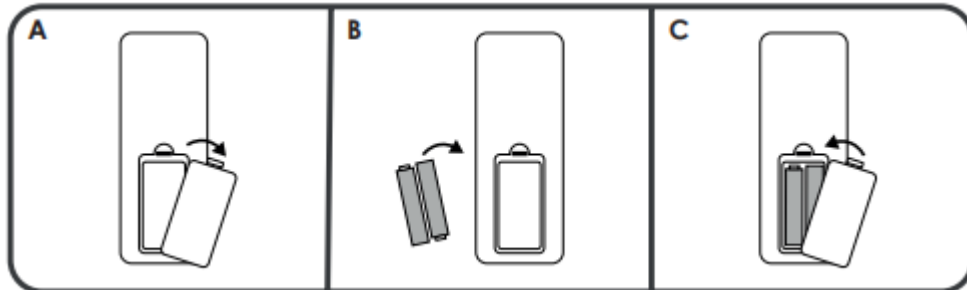
1. AAN/UIT
2. CD-KLEP OPENEN/SLUITEN
3. REC: in de modus CD/AUX IN/DAB/PHONO/CASSETTE/BT indrukken om de opnamefunctie te activeren.
4. WISTOETS
5. MODUSTOETS voor het selecteren van de bron CD/USB/BT/DAB/FM/TAPE/PHONO/AUX IN.
6. STOPTOETS
7. HERHAALTOETS voor het selecteren van een herhalende afspeelmodus (CD/USB).
8. PROGRAMMEREN: in CD-/USB-modus indrukken om de programmeerfunctie te activeren.
9. START/PAUZE/SCAN: in CD-/USB-modus eenmaal indrukken om het afspelen te starten en nogmaals indrukken om de pauzmodus te activeren. Een volledige scan starten in de DAB- of FM-modus.
10. VOLUMETOETS +
11. VOLUMETOETS -
12. TOETS VORIGE-/TERUGSPOELTOETS

13. TOETS VOLGENDE+/VOORUITSPOELTOETS
14. CIJFERTOETSEN 0-9
15. Tracktoets 10+ om 2-cijferige nummers te selecteren.
16. ENTER/EQ-TOETS
17. MENU-TOETS
18. INFORMATIE-TOETS om informatie weer te geven in de modus DAB/FM/CD.
19. VOORKEUZE-TOETS om de favorietenlijst te openen en een station te herroepen.
20. TIMERTOETS: slaaptimer

Batterijen voor de afstandsbediening

De infraroodafstandsbediening werkt op 2 x AAA-batterijen (niet meegeleverd)

- A) Verwijder de klep van het batterijvak.
- B) Installeer 2 x AAA-batterijen volgens de polariteitsmarkeringen binnenin het batterijvak.
- C) Sluit het batterijvak.



VOEDING

Dit apparaat werkt op een netvoeding van 100-250V~ 50Hz/60Hz. Sluit de AC-voedingskabel aan op een huishoudelijk AC-stopcontact. Controleer of de spanning overeenkomt met die aangegeven op het typeplaatje aan de achterzijde van het apparaat.

Sluit het apparaat aan op de stroomvoorziening. Zet de AAN-/UITSCHAKELAAR (38) op de stand AAN om het apparaat AAN te schakelen. Zet de AAN-/UITSCHAKELAAR (38) op de stand UIT om het apparaat UIT te schakelen.

Dit apparaat heeft twee werkmodi:

STAND-BY-MODUS: De display toont de huidige tijd en de luidsprekers en het achtergrondlicht zijn uitgeschakeld.

AFSPEELMODUS: Het blauwe achtergrondlicht brandt en u kunt naar muziek luisteren.

Wanneer er geen geluid wordt geproduceerd, schakelt het apparaat na 15 minuten automatisch op de STAND-BY-MODUS.

Om te wisselen tussen de AFSPEELMODUS EN STAND-BY-MODUS. Druk eenmaal op de knop Volume/Aan/Uit om AAN te schakelen en druk nogmaals op de knop Volume/Aan/Uit om uit te schakelen

SLAAPINSTELLING

1. Gebruik deze functie om in slaap te vallen terwijl u naar de radio luistert.
2. Houd TIMER (20 op de afstandsbediening) tijdens het luisteren naar muziek ingedrukt en druk nogmaals op TIMER om te kiezen uit UIT/15/30/45/60/90.

De radio schakelt automatisch uit nadat de geselecteerde slaaptijd is verstreken.

SYSTEEMINSTELLINGEN

Druk in een willekeurige modus op de toets MENU (10) (17 op de afstandsbediening) en selecteer SYSTEEM:

- Alarm: selecteer deze optie om het alarm in te stellen.
- Time (Tijd): selecteer deze optie om de datum en tijd in te stellen.
- Backlight (Achtergrondlicht): selecteer deze optie om uitschakelduur/inschakelniveau/schermhelderheid te veranderen.
- Language (Taal): selecteer deze optie om de systeemtaal te veranderen.
- Factory Reset (Fabrieksreset): selecteer deze optie om het apparaat te resetten naar de fabrieksinstellingen.
- Software Upgrade (Software-upgrade): selecteer deze optie als er een nieuwe softwareversie beschikbaar is gesteld.
- SW version (SW-versie): selecteer deze optie om de huidige softwareversie te controleren.

DE TIJD INSTELLEN

1. Druk op de toets MENU (10) (17 op de afstandsbediening), selecteer SYSTEEM en selecteer vervolgens de optie Tijd.
2. Set time/Date (Tijd/datum instellen) Druk meerdere keren op VORIGE-/VOLGENDE+ (17/18) (12/13 op de afstandsbediening) om de tijdsindeling in te stellen op 12/24 cijfers. Druk ter bevestiging nogmaals op de toets ENTER/EQ (14) (16 op de afstandsbediening).
3. De uuraanduiding zal op de display knipperen. Druk meerdere keren op VORIGE-/VOLGENDE+ (17/18) (12/13 op de afstandsbediening) om de juiste uren in te stellen. Druk ter bevestiging nogmaals op de toets ENTER/EQ (14) (16 op de afstandsbediening).
4. De minuutaanduiding zal op de display knipperen. Druk meerdere keren op VORIGE-/VOLGENDE+ (17/18) (12/13 op de afstandsbediening) om de juiste minuten in te stellen. Druk ter bevestiging nogmaals op de toets ENTER/EQ (14) (16 op de afstandsbediening).
5. De dagaanduiding zal op de display knipperen. Druk meerdere keren op VORIGE-/VOLGENDE+ (17/18) (12/13 op de afstandsbediening) om de juiste dag in te stellen. Druk ter bevestiging nogmaals op de toets ENTER/EQ (14) (16 op de afstandsbediening).
6. De maandaanduiding zal op de display knipperen. Druk meerdere keren op VORIGE-/VOLGENDE+ (17/18) (12/13 op de afstandsbediening) om de juiste maand in te stellen. Druk ter bevestiging nogmaals op de toets ENTER/EQ (14) (16 op de afstandsbediening).
7. De jaaraanduiding zal op de display knipperen. Druk meerdere keren op VORIGE-/VOLGENDE+ (17/18) (12/13 op de afstandsbediening) om het juiste jaar in te stellen. Druk ter bevestiging nogmaals op de toets ENTER/EQ (14) (16 op de afstandsbediening).

HET ALARM INSTELLEN

1. Druk op de toets MENU (10) (17 op de afstandsbediening), selecteer SYSTEEM en kies de optie Alarm of druk gewoon meerdere keren op TIMER (20 op de afstandsbediening) Alarm 1 of 2 te selecteren.

2. Druk vervolgens op de toets ENTER/EQ (14) (16 op de afstandsbediening) om de alarminstellingen te starten. U kunt op VOLGENDE/VORIGE (12 of 13 op de afstandsbediening) en de toets ENTER/EQ drukken om de opties Inschakeltijd, Tijdsduur, Alarmbron, Alarmfrequentie, Alarmvolumeniveau, enz. in te stellen.
3. Nadat alle instellingen zijn gemaakt, zult u "Alarm Saved" (Alarm opgeslagen) en alarmpictogram 1 of 2 op de display zien
4. Nadat Alarm UIT eenmaal is ingesteld, zal het alarmpictogram verdwijnen.

DAB-modus

Druk meerdere keren op de Functietoets (4) (5 op de afstandsbediening) om de DAB-modus te selecteren.

Druk op VORIGE-/VOLGENDE+ (17/18) (12/13 op de afstandsbediening) om naar het gewenste programma te zoeken.

DAB-MENU

Druk op MENU (10) (17 op de afstandsbediening) voor toegang tot de opties.

- Volledige scan: selecteer deze optie om een volledige scan uit te voeren van alle beschikbare DAB-programma's. U kunt ook op SCAN (12) drukken om dezelfde actie uit te voeren.
- Handmatig afstemmen: selecteer deze optie om de DAB-frequentie handmatig af te stemmen.
- DRC: selecteer deze optie om te kiezen uit DRC laag, DRC hoog en DRC uit.
- Opruimen: onbeschikbare stations uit de stationslijst verwijderen.

DAB-VOORKEUZE

U kunt maximaal 20 radiostations als voorkeuze opslaan.

- Houd VOORKEUZE (13) (19 op de afstandsbediening) ingedrukt. "PRESET STORE" (Voorkeuze opslaan) zal op de display verschijnen.
Druk op VORIGE-/VOLGENDE+ (17/18) (12/13 op de afstandsbediening) om het gewenste voorkeuzenummer te selecteren. Druk ter bevestiging op ENTER (14) (16 op de afstandsbediening).
- Druk op VOORKEUZE (13) (19 op de afstandsbediening) om de voorkeuzestations te doorlopen.

DAB-INFORMATIE

Druk meerdere keren op INFO (11) (18 op de afstandsbediening) om informatie zoals NAAM/KBPS/DATUM/TIJD te zien.

BELANGRIJKE INFORMATIE OVER DAB+-ONTVANGST

DAB+-ontvangst is anders dan FM-ontvangst.

- Bij FM-ontvangst kunt u vaak nog wel een zwakke zender ontvangen, maar waarschijnlijk met een ruisend of krakend geluid.

- DAB+-ontvangst werkt digitaal en als het signaal niet sterk genoeg is hoort u niets. Geen gesis of gekraak zoals bij FM-ontvangst. Dit ligt niet aan de radio, maar aan het feit dat er op die plaats het DAB+-signaal te zwak is.
- De regel bij DAB+ is: geen of zwak signaal = geen geluid.

Wat u kunt doen als u geen directe DAB+-ontvangst heeft.

- Richt de antenne altijd eerst verticaal recht omhoog.
- Plaats de radio niet te dicht bij potentiële storingsbronnen zoals batterij-opladers, draaiende machines, computers, grote metalen oppervlakken, enz.
- Verplaats de radio een paar meter.
- Schakel de radio in en activeer een volledige scan in het DAB+-menu
- Op het scherm van de radio ziet u de voortgang van de scan en het aantal gevonden zenders op de huidige positie van de radio.

Belangrijk

- Bij DAB+-ontvangst kan er een zeer groot verschil zijn in ontvangstniveau tussen posities op een paar meter afstand van elkaar. Bij een plaatselijk zwak DAB+-signaal verplaatst u de radio om een sterker signaal te vinden.
- Als u de radio meeneemt naar een andere locatie, voer dan opnieuw een volledige scan uit. Dit laat zien welke DAB+-zenders daar te ontvangen zijn.

FM-modus

Druk meerdere keren op de Functietoets (4) (5 op de afstandsbediening) om de FM-modus te selecteren.

Draai aan de AFSTEMKNOP (21) om handmatig de frequentie te selecteren.

FM-MENU

Druk op MENU (10) (17 op de afstandsbediening) voor toegang tot de opties.

- Scan Setting (Scaninstelling Setting): selecteer deze optie om te kiezen uit alle stations scannen of alleen zoeken naar krachtige stations.
- Audio Setting (Audio-instelling): selecteer deze optie om te kiezen uit geforceerd mono of stereogeluid toestaan.

FM-VOORKEUZE

Zie de instructies voor DAB-VOORKEUZE.

FM-INFORMATIE

Druk meerdere keren op INFO (11) (18 op de afstandsbediening) om de volgende informatie te zien: KIND OF PROGRAM/FREQUENCY/AUDIO/DATE/TIME (PROGRAMMATYPE/FREQUENTIE/AUDIO/DATUM/TIJD).

NAAR CASSETTETAPES LUISTEREN

1. Druk meerdere keren op de Functietoets (4) (5 op de afstandsbediening) om de TAPE-modus te selecteren.
2. Laad een cassettape in het apparaat. Het systeem start het afspelen automatisch nadat de cassettape is geplaatst.
3. Druk VOORUIT/UITWERPEN (24) tijdens het afspelen halverwege in. De tape zal vooruit worden gespoeld.
Druk VOORUIT/UITWERPEN (24) nogmaals een beetje in om het afspelen te hervatten.
4. Druk VOORUIT/UITWERPEN (24) volledig in en de cassettape zal door het CASSETTEMECHANISME (25) worden uitgeworpen.

COMPACT DISKS AF SPELEN

1. Druk meerdere keren op de Functietoets (4) (5 op de afstandsbediening) om de CD-modus te selecteren.
2. Druk op de KNOP CD-KLEP OPENEN/SLUITEN (20) (2 op de afstandsbediening) om de cd-klep te openen. Plaats een cd met de bedrukte zijde omhoog in de houder en sluit vervolgens de cd-klep. De eerste track zal worden afgespeeld.
 - Druk op VORIGE-/VOLGENDE+ (17/18) (12/13 op de afstandsbediening) om uw favoriete nummers te selecteren. Als u VORIGE-/VOLGENDE+ (17/18) (12/13 op de afstandsbediening) ingedrukt houdt, wordt de afspelende track vooruit- of teruggespoeld totdat u de toets loslaat.
 - Druk op START/PAUZE (15) (9 op de afstandsbediening) om het afspelen te pauzeren. Het tracknummer zal beginnen te knipperen. Druk nogmaals op START/PAUZE (15) (9 op de afstandsbediening) om het afspelen te hervatten.
 - Druk op STOP (16) (6 op de afstandsbediening) om het afspelen te stoppen.

HERHAALMODUS/WILLEKEURIGE AFSPEELMODUS

Druk tijdens het afspelen van een cd/USB meerdere keren op (7) op de afstandsbediening om het volgende te selecteren:

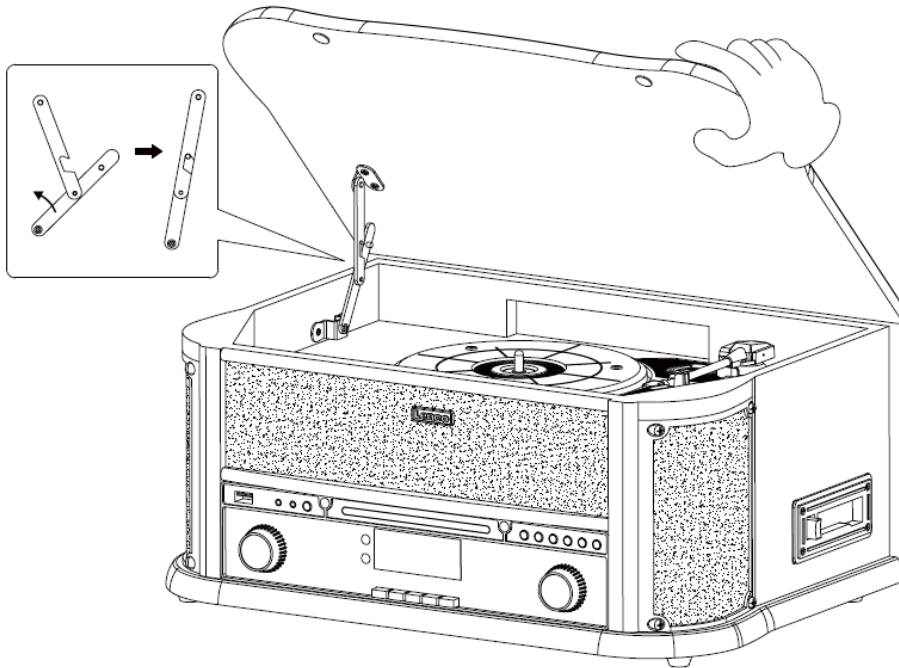
- Repeat1 (1 herhalen): De huidige track wordt herhaald.
- Repeat DIR (Map herhalen): De huidige map wordt herhaald.
- Repeat All (Alles herhalen): Alle tracks worden herhaald.
- SHUFFLE (Willekeurig): de tracks worden in willekeurige volgorde afgespeeld.
- INTRO: de eerste 10 seconden van alle tracks afspelen.

CD PROGRAMMEREN

U kunt tot 99 programmeren om in elke gewenste volgorde af te spelen.

1. Plaats een schijf en druk op STOP (16) (6 op de afstandsbediening) wanneer deze begint af te spelen.
2. Druk op (8) op de afstandsbediening. "P01" wordt weergegeven op de display.
3. Druk op VORIGE-/VOLGENDE+ (17/18) (12/13 op de afstandsbediening) om uw favoriete nummers te selecteren.
4. Druk op (8) op de afstandsbediening. om de track op te slaan in het programmeringsgeheugen. "P02" wordt weergegeven op de display.

5. Herhaal stappen 3-4 om alle gewenste tracks te selecteren en op te slaan.
6. Druk op START/PAUZE (15) (9 op de afstandsbediening) om het geprogrammeerd afspelen te starten.
7. Druk op STOP (16) (6 op de afstandsbediening) om het geprogrammeerd afspelen te stoppen.
Druk tweemaal op STOP (16) (6 op de afstandsbediening) om de programmering te wissen.



De stofkap van de platenspeler openen/sluiten

Openen:

- Til de stofkap van de platenspeler helemaal omhoog tot deze stopt.
- Laat de stofkap langzaam zakken tot de vergrendeling vastklikt. Als de vergrendeling niet vastklikt, trek dan met de hand aan de onderste stang.
- De stofkap blijft nu open staan.

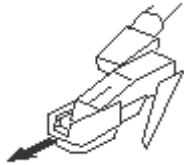
Sluiten:

- Til de stofkap van de platenspeler helemaal omhoog tot deze stopt.
- De vergrendeling zal ontgrendelen. Laat de stofkap langzaam zakken. Als de vergrendeling niet ontgrendeld, duw dan met de hand de onderste stang naar buiten.
- Zorg ervoor dat u de stofkap voorzichtig vasthoudt om te voorkomen dat uw vingers bekneld raken bij het sluiten.

NAAR LANGSPEELPLATEN LUISTEREN

UITERST BELANGRIJK! (Deze gebruiksaanwijzingen gelden alleen voor de grote platenspeler met deze functie)

1. Druk meerdere keren MODUS (4) (5 op de afstandsbediening) om de PHONO-modus te selecteren.
2. Open de stofkap van de platenspeler. Ontgrendel de toonarmklem en verwijder de naaldbescherming.



Plaats een plaat over de middenas op het draaiplateau. Plaats een EP-adapter op de middenas als u 17cm EP's wilt afspelen.

3. Stel de 33/45/78-TOERENSCHAKELAAR (31) in op 33/45/78 toeren volgens het type plaat.
4. Til de toonarm op via de toonarmlift. Beweeg de toonarm naar het begin van de plaat of naar de start van een bepaalde track. Laat de toonarm met gebruik van de toonarmlift voorzichtig op de plaat zakken om het afspelen te starten.
5. Wanneer de plaat is afgelopen, zal de toonarm automatisch stoppen. Om handmatig te stoppen met afspelen, tilt u de toonarm van de plaat en plaatst u deze terug op de houder.
6. De platenspeler verplaatsen of schudden zonder de toonarmklem vast te zetten, kan leiden tot schade aan de toonarm. Plaats de bescherming op de naald wanneer niet in gebruik.

De naald installeren

1. Houd de punt van de naald vast en breng de naald in door te drukken in richting "B" zoals aangegeven.
2. Duw de naald omhoog in richting "C" totdat de naald in de puntpositie vergrendeld is.



Geleidepennen (binnen)

OPMERKINGEN

We raden u aan uw platen te reinigen met een antistatische doek om er maximaal plezier van te hebben.

We wijzen er ook op dat om dezelfde reden uw naald periodiek (ongeveer elke 250 afspeeluren) moet worden vervangen

AUX-INGANG

Dit apparaat is voorzien van een aux-audio-ingang voor de aansluiting van externe audiobronnen zoals MP3-spelers en cd-spelers om uw externe audiobron af te spelen via de luidsprekers van het systeem.

1. Gebruik een audiokabel (niet meegeleverd) met een RCA-stereostekker aan één uiteinde van de kabel. Steek het ene uiteinde in de AUX-INGANG van het hoofdapparaat en steek het

andere uiteinde in de LIJNUITGANG of HOOFDTELEFOONUITGANG van uw externe audio-apparaat.

2. Schakel zowel het apparaat als uw externe audio-apparaat AAN. Druk meerdere keren op de Functietoets (4) (5 op de afstandsbediening) om de AUX IN-modus te selecteren
3. Start het afspelen op het externe apparaat (zie de gebruikshandleiding van het externe apparaat).

BLUETOOTH GEBRUIKEN

1. Druk op de Functietoets (4) om de BLUETOOTH-functie te selecteren. "Bluetooth" wordt weergegeven op de display.
2. Select de Bluetooth-ID-naam "Lenco TCD-2571WD" op uw draagbare apparaat en bevestig vervolgens de verbinding.
3. De LCM zal na een geslaagde koppeling stoppen met knipperen.
4. U kunt de muziek nu naar de Lenco TCD-2571WD sturen en alle bedieningen alleen via uw mobiele apparaat bedienen.

Dit product werkt op 2400-2483,5 MHz en is alleen bestemd om te worden gebruikt in een normale huishoudelijke omgeving. Dit product is geschikt voor dit doel in alle EU-landen.

CODERING VAN radio/DAB-radio

Sluit een USB-disk aan op de USB-POORT. Druk op de Functietoets (4) (5 op de afstandsbediening) om het apparaat op de DAB- of FM-modus te schakelen. Gebruik nu de AFSTEMBEDIENING of druk op VORIGE-/VOLGENDE+ (17/18) (12/13 op de afstandsbediening) om het station te selecteren waarvan u de uitzending wilt opnemen. Druk tweemaal op de toets REC/DEL (19) (3 op de afstandsbediening) om de opname te starten terwijl "REC" (Opnemen) zal knipperen op de display. Druk op de toets STOP (16) (6 op de afstandsbediening) om de opname te stoppen.

CODERING VAN CD

Sluit een USB-disk aan op de USB-POORT. Druk tijdens de cd-afspeelmodus tweemaal op de toets REC/DEL (19) (3 op de afstandsbediening) en ONE (Eén) zal knipperen op de display, wat betekent dat we de momenteel afspelende track kunnen selecteren om op te nemen; als u de hele cd wilt selecteren om op te nemen, drukt u nogmaals op de toets Volgende en "ALL" (Alles) zal knipperen op de display. Druk nu nog een keer op de toets REC/DEL om de opname te starten. Druk op de toets STOP (16) (6 op de afstandsbediening) om de opname te stoppen.

CODERING VAN CD-MP3

De procedure voor het opnemen van een CD-MP3 is hetzelfde als die hierboven, behalve in tegenstelling tot een audio-cd, als u de hele map wilt selecteren (als de cd meerdere mappen bevat) om op te nemen, drukt u op de toets Volgende en zal "REC-FOLDER" (Map opnemen) op

de display knipperen. Druk nu nog een keer op de toets REC/DEL om de opname te starten. Druk op de toets STOP (16) (6 op de afstandsbediening) om de opname te stoppen.

CODERING VAN CASSETTE

Sluit een USB-disk aan op de USB-POORT. Druk tijdens de TAPE-afspeelmodus tweemaal op de toets REC/DEL (19) (3 op de afstandsbediening) om de opname te starten terwijl "REC" (Opnemen) op de display zal knipperen. Druk op de toets STOP (16) (6 op de afstandsbediening) om de opname te stoppen.

CODERING VAN PHONO

Sluit een USB-disk aan op de USB-POORT. Beweeg de toonarm in de PHONO-afspeelmodus naar de gewenste plek op de plaat en laat deze op de plaat zakken. Druk tweemaal op de toets REC/DEL (19) (3 op de afstandsbediening) om de opname te starten terwijl "REC" (Opnemen) zal knipperen op de display. Druk op de toets STOP (16) (6 op de afstandsbediening) om de opname te stoppen.

CODERING VAN BLUETOOTH

Sluit een USB-disk aan op de USB-POORT. Druk tijdens de Bluetooth-afspeelmodus tweemaal op de toets REC/DEL (19) (3 op de afstandsbediening) om de opname van de gewenste muziek te starten terwijl "REC" (Opnemen) op de display zal knipperen. Druk op de toets STOP (16) (6 op de afstandsbediening) om de opname te stoppen.

CODERING VAN AUX

Sluit een USB-disk aan op de USB-POORT. Selecteer de AUX-afspeelmodus, start het afspelen op de externe signaalbron en druk tweemaal op de toets REC/DEL (19) (3 op de afstandsbediening) om de opname te starten terwijl "REC" (Opnemen) op de display zal knipperen. Druk op de toets STOP (16) (6 op de afstandsbediening) om de opname te stoppen.

AFSPELEN VAN USB

1. Steek de stekker van het USB-apparaat in de USB-POORT.
2. Druk meerdere keren op de Functietoets (4) (5 op de afstandsbediening) om de USB-modus te selecteren.
3. Het apparaat zal het externe apparaat na de verbinding beginnen in te lezen.
4. Volg dezelfde als die voor cd's om naar uw USB-apparaat te luisteren.

USB WISSEN

1. Houd REC/DEL (19) (4 op de afstandsbediening) tijdens het afspelen ingedrukt. "DEL" (Wissen) zal op de display verschijnen.

2. Druk meerdere keren op VORIGE-/VOLGENDE+ (17/18) (12/13 op de afstandsbediening) om de te kiezen uit ONE/FOLDER/ALL (Eén/map/alles).
3. Druk ter bevestiging nogmaals op REC/DEL (19) (4 op de afstandsbediening).

EQ-BEDIENING

Druk in de afspeelmodus op de toets ENTER/EQ (16 op de afstandsbediening) om een geluidseffect te kiezen uit FLAT/POP/CLASSIC/ROCK/JAZZ/BASS (Vlak/pop/klassiek/rock/jazz/bas).

SPECIFICATIES

AC: 100-250v ~ 50Hz/60HZ

FM: 87,5 - 108 MHz

DAB-band: Band III

Ontwerp en specificaties kunnen zonder voorafgaande kennisgeving worden gewijzigd.

Garantie

Commaxx B.V. verleent service en garantie in overeenstemming met de Europese wetgeving, wat betekent dat u bij reparaties (zowel tijdens als na de garantieperiode) contact dient op te nemen met uw lokale dealer.

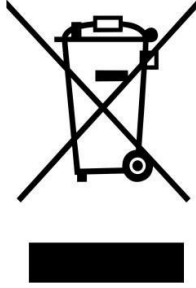
Belangrijke opmerking: Het is niet mogelijk om te repareren producten direct naar Commaxx B.V. te sturen.

Belangrijke opmerking: Als dit apparaat op enigerlei wijze wordt geopend door de gebruiker of een niet-officieel servicecentrum, komt de garantie te vervallen.

Dit apparaat is niet geschikt voor professioneel gebruik. Bij professioneel gebruik worden alle garantieverplichtingen van de fabrikant nietig.

Disclaimer

Er worden regelmatig updates voor de firmware en/of hardwarecomponenten uitgegeven. Daarom kunnen sommige instructies, specificaties en afbeeldingen in deze documentatie enigszins afwijken van uw specifieke situatie. Alle items beschreven in deze handleiding, zijn alleen bestemd ter illustratie en zijn mogelijk niet van toepassing op een bepaalde situatie. Aan de beschrijving in deze handleiding kunnen geen wettelijke rechten of aanspraken worden ontleend.



Het oude apparaat afdanken

Dit symbool geeft aan dat het betreffende elektrische product of de batterij in Europa niet als algemeen huishoudelijk afval mag worden afgevoerd. Om ervoor te zorgen dat het product en de batterij op de juiste manier worden verwerkt, dient u deze af te danken in overeenstemming met de toepasselijke lokale wetgeving met betrekking tot de verwijdering van elektrische apparatuur of batterijen. U helpt hierdoor natuurlijke hulpbronnen te behouden en de normen voor milieubescherming bij de behandeling en verwijdering van elektrisch afval te verbeteren (richtlijn afgedankte elektrische en elektronische apparatuur).

CONFORMITEITSVERKLARING

Hierbij verklaart Commaxx dat de radio-uitrusting type [Lenco TCD-2571] in overeenstemming is met richtlijn 2014/53/EU. De volledige tekst van de EU-conformiteitsverklaring is beschikbaar op het volgende internetadres:

https://commaxx-certificates.com/doc/tcd-2571_doc.pdf

Type RF	Frequentiebereik: (MHz)	Vermogen (dBm)
Bluetooth	2402-2480	<6
DAB	174-240	-
FM	87,5-108	-

Service

Bezoek voor meer informatie en helpdeskondersteuning www.lenco.com

Commaxx B.V. Wiebachstraat 37, 6466 NG Kerkrade, The Netherlands.

VORSICHT:

Eine andere als die hier beschriebene Benutzung der Bedienelemente oder Einstellung oder Durchführung von Abläufen kann zu einer Aussetzung gefährlicher Strahlung führen.

VORSICHTSMASSNAHMEN VOR DER BENUTZUNG**BEFOLGEN SIE IMMER FOLGENDE ANWEISUNGEN:**

1. Blockieren oder bedecken Sie keine Lüftungsöffnungen. Wenn Sie das Gerät auf ein Regal stellen, lassen Sie um das gesamte Gerät 5 cm (2") Freiraum.
2. Stellen Sie das Gerät entsprechend den Anweisungen der mitgelieferten Bedienungsanleitung auf.
3. Halten Sie das Gerät von Hitzequellen wie Radiatoren, Heizern, Öfen, Kerzen oder anderen hitzeerzeugenden Produkten oder offenen Flammen fern. Das Gerät darf nur bei gemäßigttem Klima verwendet werden. Sehr kalte oder heiße Umgebungen sind zu vermeiden. Die Betriebstemperatur liegt zwischen 0 °C und 35 °C.
4. Meiden Sie bei der Benutzung des Produkts die Nähe starker Magnetfelder.
5. Elektrostatische Entladungen können die normale Benutzung dieses Gerätes stören. Sollte dies geschehen, setzen Sie das Gerät zurück und starten Sie es dann entsprechend den Anweisungen dieser Bedienungsanleitung neu. Gehen Sie besonders bei Datenübertragungen mit dem Gerät vorsichtig um und führen Sie diese nur in einer anti-elektrostatischen Umgebung aus.
6. Warnung! Niemals Gegenstände durch die Lüftungsschlitze oder Öffnungen in das Gerät stecken. Dieses Gerät steht unter Hochspannung. Das Hineinstecken von Gegenständen kann zu Stromschlag und/oder Kurzschluss interner elektrischer Bauteile führen. Spritzen/gießen Sie aus dem gleichen Grund weder Wasser noch andere Flüssigkeiten auf das Gerät.
7. Benutzen Sie das Gerät nicht in nasser oder feuchter Umgebung wie Bad, Dampfküche oder in der Nähe von Schwimmbecken.
8. Das Gerät darf weder Tropf- noch Spritzwasser ausgesetzt werden und es dürfen keine mit Flüssigkeit gefüllten Behälter wie z. B. Vasen auf das Gerät oder in der Nähe des Gerätes gestellt werden.
9. Benutzen Sie das Gerät nicht, wenn Kondensation entstehen kann. Wenn Sie das Gerät in einem warmen, feuchten Raum mit Dampf benutzen, können Wassertropfen oder Kondensation in das Gerät eindringen und u. U. zu Fehlfunktionen des Gerätes führen. Schalten Sie in diesem Fall das Gerät für 1 bis 2 Stunden aus, bevor Sie es erneut einschalten, wobei Sie darauf achten sollten, dass das Gerät vollständig getrocknet ist, bevor Sie es wieder einschalten.
10. Obwohl dieses Gerät unter größter Sorgfalt hergestellt und vor Auslieferung mehrmals überprüft wurde, können trotzdem wie bei jedem anderen elektrischen Gerät auch Probleme auftauchen. Trennen Sie das Gerät bei Rauchentwicklung, starker Hitzeentwicklung oder jeder anderen unnatürlichen Erscheinung sofort vom Stromnetz.
11. Dieses Gerät ist durch eine Stromquelle wie auf dem Typenschild angegeben zu betreiben. Halten Sie bei Unsicherheiten über die Art Ihrer Stromversorgung in Ihrer Wohnung Rücksprache mit Ihrem Händler oder Ihrem Stromversorger.
12. Halten Sie das Gerät von Haustieren fern. Einige Nagetiere nagen gerne an Netzkabeln.
13. Benutzen Sie für die Reinigung ein weiches, trockenes Tuch. Benutzen Sie niemals Lösungsmittel oder Flüssigkeiten auf Ölbasis. Benutzen Sie zum Entfernen hartnäckiger Flecken ein feuchtes Tuch mit mildem Reinigungsmittel.
14. Der Hersteller haftet nicht für Beschädigungen oder Datenverluste aufgrund von Fehlfunktion, Zweckentfremdung oder Modifikation des Gerätes oder aufgrund des Wechsels der Batterie.
15. Unterbrechen Sie die Verbindung nicht während einer Formatierung oder einer Datenübertragung. Bei Unterbrechung drohen Datenverlust und Datenbeschädigung.
16. Wenn das Gerät eine USB-Wiedergabefunktion besitzt, stecken Sie den USB-Stick direkt in das Gerät. Verwenden Sie kein USB-Verlängerungskabel, weil die erhöhte Störungsanfälligkeit zu Datenverlust führen kann.

17. Das Typenschild befindet sich an der Unter- oder Rückseite des Gerätes.
18. Dieses Gerät ist nicht zur Benutzung durch Personen (einschließlich Kinder) mit physischen, sensorischen oder mentalen Beeinträchtigungen oder ohne ausreichende Erfahrung vorgesehen, es sei denn, sie werden durch eine für ihre Sicherheit verantwortliche Person beaufsichtigt oder wurden in die ordnungsgemäße Bedienung des Gerätes durch eine für ihre Sicherheit verantwortliche Person eingewiesen.
19. Dieses Produkt ist nur für den nicht-professionellen Gebrauch und nicht für gewerbliche oder industrielle Zwecke bestimmt.
20. Stellen Sie sicher, dass das Gerät in einer stabilen Position aufgestellt ist. Schäden, die durch Verwendung dieses Produkts in einer instabilen Position, durch Vibrationen, Stöße oder Nichtbeachtung der anderen in diesem Handbuch enthaltenen Warnungen und Sicherheitsmaßnahmen entstehen, werden nicht durch die Garantie abgedeckt.
21. Entfernen Sie niemals das Gehäuse dieses Gerätes.
22. Stellen Sie dieses Gerät niemals auf andere elektrische Geräte.
23. Halten Sie Kinder von den Plastiktüten fern.
24. Benutzen Sie nur vom Hersteller spezifizierte Erweiterungen/Zubehörteile.
25. Lassen Sie alle Wartungs-/Reparaturarbeiten von qualifiziertem Servicepersonal ausführen. Reparatur/Wartung wird notwendig, wenn das Gerät in irgendeiner Weise wie beispielsweise am Netzkabel oder am Netzstecker beschädigt wurde oder wenn Flüssigkeit in das Gerät gelangt ist bzw. Gegenstände in das Gerät gefallen sind, das Gerät Regen oder Feuchtigkeit ausgesetzt war, es heruntergefallen ist oder nicht ordnungsgemäß funktioniert.
26. Langes Hören lauter Töne aus einem Musikgerät kann zu zeitweiligem oder permanentem Hörverlust führen.
27. Wenn zum Lieferumfang des Produkts ein Netzkabel oder ein Netzadapter gehört:
 - Wenn irgendwelche Probleme auftreten, trennen Sie das Gerät vom Stromnetz und setzen Sie sich anschließend mit einer qualifizierten Fachkraft in Verbindung.
 - Treten Sie nicht auf den Netzadapter und klemmen Sie ihn auch nicht ein. Seien Sie besonders im näheren Bereich des Netzsteckers und an der Stelle vorsichtig, an der das Netzkabel aus dem Gerät herausgeführt wird. Stellen Sie keine schweren Gegenstände auf den Netzadapter, da er dadurch beschädigt werden kann. Halten Sie das gesamte Gerät außerhalb der Reichweite von Kindern! Durch Spielen mit dem Netzkabel können sie sich ernsthafte Verletzungen zuziehen.
 - Trennen Sie das Gerät während eines Gewitters oder bei längerer Nichtbenutzung vom Stromnetz.
 - Die Netzsteckdose muss sich in der Nähe des Gerätes befinden und einfach zu erreichen sein.
 - Überlasten Sie Steckdosen und Verlängerungsleitungen nicht. Eine Überlastung kann zu Brandgefahr bzw. Stromschlag führen.
 - Geräte der Schutzklasse 1 müssen an eine Netzsteckdose mit Schutzleiter angeschlossen werden.
 - Geräte der Schutzklasse 2 benötigen keinen Schutzleiteranschluss.
 - Greifen Sie beim Abziehen von der Netzsteckdose am Netzstecker. Ziehen Sie ihn nicht durch Zerren am Kabel heraus. Das kann zu einem Kurzschluss führen.
 - Verwenden Sie weder ein beschädigtes Netzkabel noch einen beschädigten Netzstecker oder eine lockere Steckdose. Missachtung kann zu Brand oder Stromschlag führen.
28. Wenn das Produkt mit einer Fernbedienung mit Batterien/Knopfzellen geliefert wird oder das Produkt eine derartige Fernbedienung umfasst:

Warnung:

 - Die Batterie nicht verschlucken – Verätzungsgefahr.
 - Die mit diesem Produkt [gelieferte Fernbedienung] enthält eine Knopfzelle. Das Verschlucken der Batterie kann innerhalb von nur 2 Stunden zu schwersten inneren Verbrennungen mit Todesfolge führen.
 - Halten Sie neue und gebrauchte Batterien von Kindern fern.
 - Falls sich das Batteriefach nicht richtig schließen lässt, stellen Sie die Benutzung des Gerätes ein und halten Sie es von Kindern fern.
 - Wenn Sie vermuten, dass Batterien verschluckt oder in eine Körperöffnung eingeführt worden sind, suchen Sie umgehend eine(n) Ärztin/Arzt auf.

29. Warnhinweise bzgl. der Verwendung von Batterien:
- Es besteht Explosionsgefahr, wenn die Batterie nicht ordnungsgemäß ersetzt wird. Tauschen Sie die Batterie nur gegen eine Batterie des gleichen Typs aus.
 - Die Batterie darf während der Benutzung, Aufbewahrung oder des Transports weder sehr hohen oder sehr niedrigen Temperaturen noch niedrigem Luftdruck in großen Höhenlagen ausgesetzt werden.
 - Die Auswechslung der Batterie mit einem falschen Batterietyp kann zum Explodieren der Batterie oder zum Entweichen von entflammbarem Gas oder Auslaufen von entflammbarer Flüssigkeit aus der Batterie führen.
 - Die Entsorgung der Batterie in Feuer oder einem heißen Ofen oder das mechanische Zerkleinern oder Zerteilen der Batterie kann zu Explosionen führen.
 - Das Verbleiben der Batterie in einer Umgebung mit sehr hohen Temperaturen kann zum Explodieren der Batterie oder zum Entweichen von entflammbarem Gas oder zum Auslaufen von entflammbarer Flüssigkeit aus der Batterie führen.
 - Eine einem sehr niedrigen Luftdruck ausgesetzte Batterie kann explodieren oder es kann aus einer einem sehr niedrigen Luftdruck ausgesetzten Batterie entflammbares Gas entweichen oder entflammbare Flüssigkeit auslaufen.
 - Legen Sie besonderes Augenmerk auf den ökologischen Aspekt der Batterieentsorgung.

INSTALLATION

- Packen Sie alle Teile aus und entfernen Sie danach die Schutzmaterialien.
- Schließen Sie das Gerät erst an das Stromnetz an, nachdem Sie die Netzspannung überprüft haben und alle anderen notwendigen Anschlüsse hergestellt sind.

WARNUNG

Laserprodukt der Klasse 1

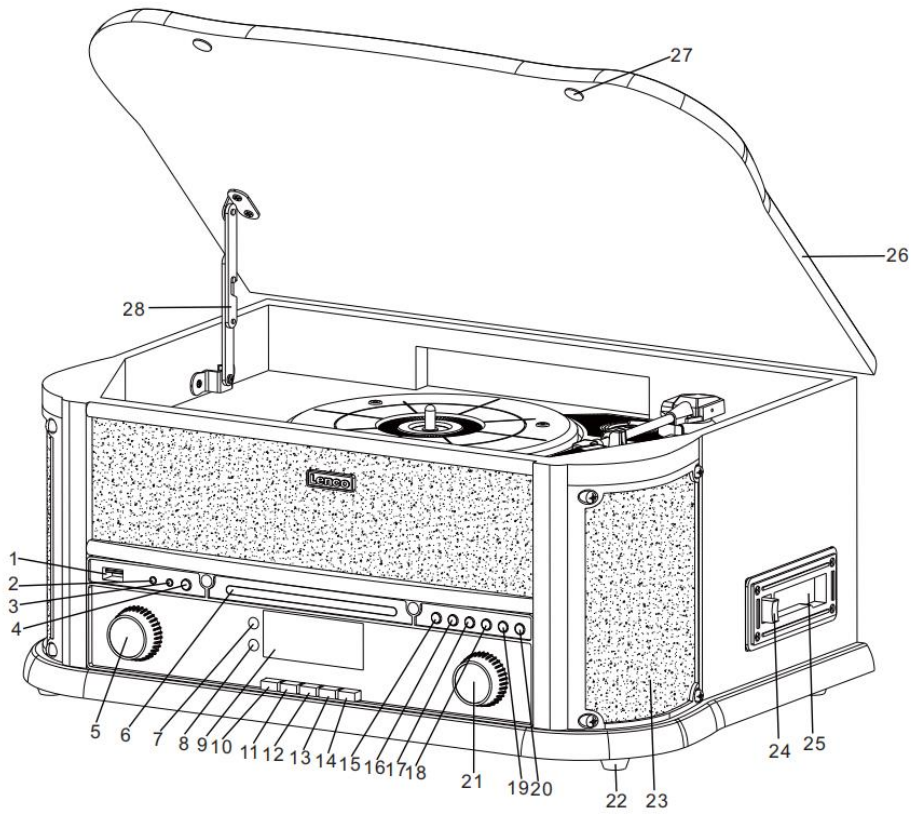
LASERPRODUKT DER KLASSE 1
APPAREIL Á LASER DE CLASSE 1
PRODUCTO LASER DE CLASE 1

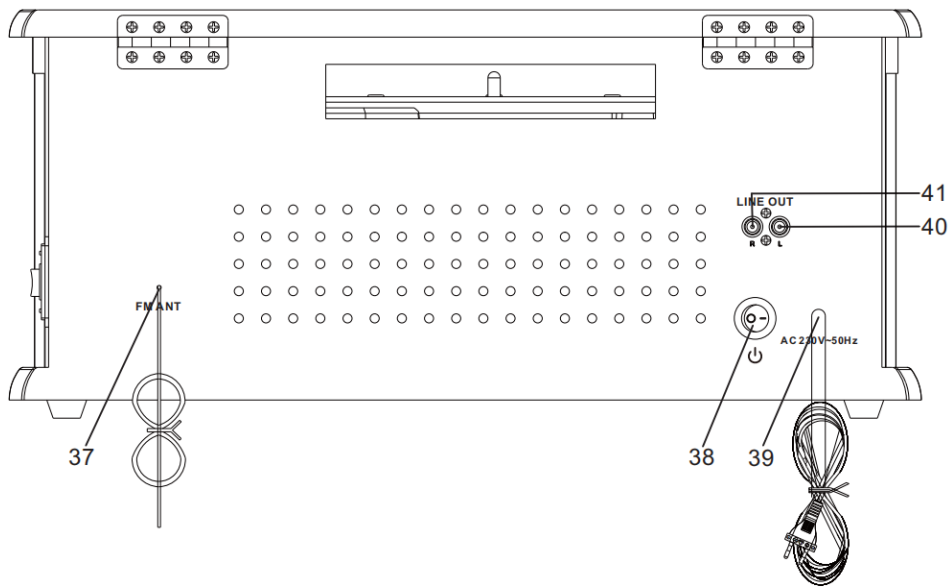
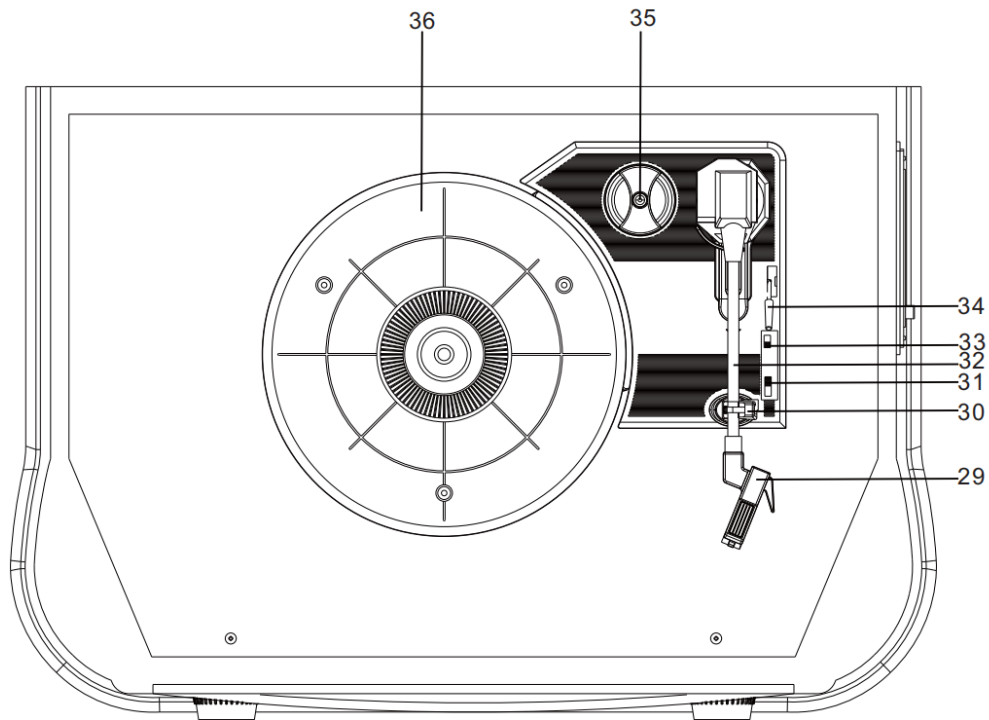
ACHTUNG
UNSICHTBARE LASERSTRAHLUNG BEI
GEÖFFNETEM GERÄT UND ENTFERNTEN
VERRIEGELUNGEN.
SCHAUEN SIE NIE DIREKT IN DEN
LASERSTRAHL

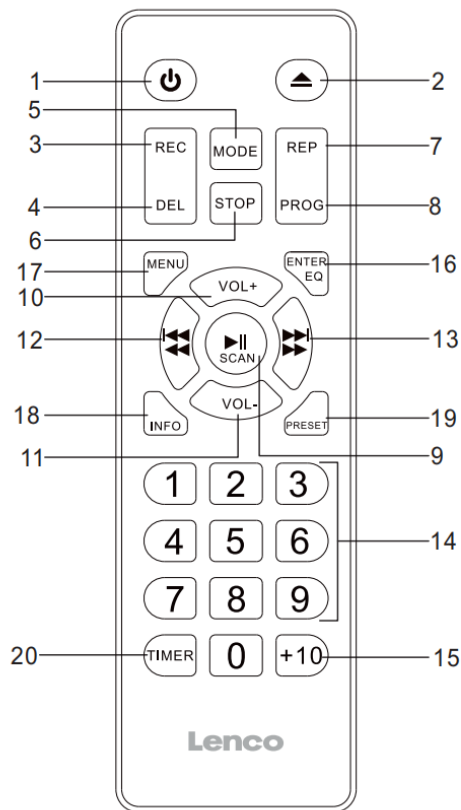


Dieses Produkt enthält eine Lasereinheit geringer Leistung.

Warnung: Berühren Sie die Linse nicht.







Ihr neues Gerät wurde im Einklang mit strenger standardmäßiger Qualitätskontrolle hergestellt und montiert. Vielen Dank für den Kauf unseres Produktes für Ihren Musikgenuss. Bitte lesen Sie vor Inbetriebnahme des Gerätes aufmerksam diese Bedienungsanleitung. Halten Sie sie zum künftigen Nachschlagen griffbereit.

LAGE DER BEDIENELEMENTE

1. USB-PORT
2. 3,5-MM-AUX-EINGANG
3. 3,5-MM-KOPFHÖRERANSCHLUSS
4. FUNKTIONSTASTE (DAB/UKW/BLUETOOTH/CD/USB/PHONO/KASSETTE/AUX)
5. LAUTSTÄRKEREGLER/BEREITSCHAFT
6. CD-FACH
7. FERNBEDIENUNGSSENSOR
8. BETRIEBS-LED
9. LCM-DISPLAY
10. MENÜTASTE
11. INFO-TASTE
12. SCAN-Taste
13. PRESET-Taste

14. ENTER-/EQUALIZER-TASTE
15. WIEDERGABE-/PAUSE-TASTE
16. STOPP-TASTE
17. ABWÄRTS-/SCHNELLRÜCKLAUF-TASTE
18. AUFWÄRTS-/SCHNELLVORLAUF-TASTE
19. AUFNAHME/LÖSCHEN (AUFNAHMETASTE/LÖSCHEN-TASTE)
20. CD-FACH-ÖFFNEN/SCHLIESSEN-TASTE
21. EINSTELLTASTE/WIEDERGABEMODUS
22. KUNSTSTOFFFUSSAUFLAGE
23. LAUTSPRECHER
24. KASSETTE-STOPPEN-/AUSWERFEN-TASTE
25. KASSETTENMECHANISMUS
26. STAUBSCHUTZHAUBE
27. AUFLAGE DER STAUBSCHUTZHAUBE
28. SCHARNER
29. TONABNEHMER
30. AUFNAHMEHALTER
31. 33/45/78-U/MIN-GESCHWINDIGKEITSREGLER
32. TONARM
33. Auto-Stopp EIN/AUS
34. PLATTENSPIELER-PAUSE-SCHALTER
35. NETZTEIL
36. PLATTENTELLER
37. UKW-/DAB-ANTENNE
38. EIN-/AUSSCHALTER
39. NETZKABEL
- 40/41. LINE-AUSGÄNGE (R+L)

FERNBEDIENUNG

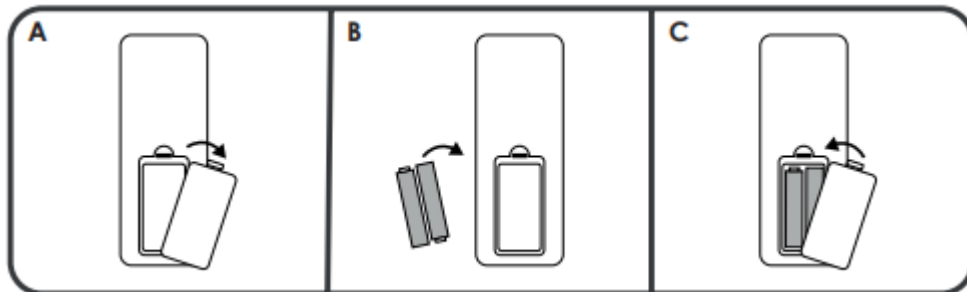
1. EIN/AUS
2. CD-FACH ÖFFNEN/SCHLIESSEN
3. AUFNAHME: Drücken Sie diese Taste im Modus CD/AUX-EINGANG/DAB/PHONO/KASSETTE/BT zum Aktivieren der Aufnahmefunktion.
4. LÖSCHEN-TASTE
5. MODUSTASTE zur Auswahl der Quelle CD/USB/BT/DAB/UKW/KASSETTE/PHONO/AUX-EINGANG.
6. STOPP-TASTE
7. WIEDERHOLEN-TASTE zur Auswahl der wiederholten Wiedergabe (CD/USB).
8. PROGRAMM: im CD-/USB-Modus zum Aktivieren der Programmierfunktion drücken.
9. WIEDERGABE/PAUSE/SUCHE: im CD-/USB-Modus zum Starten der Wiedergabe einmal drücken und zum Aufrufen des Pausmodus noch einmal drücken. Startet eine vollständige Suche im DAB- oder UKW-Modus.
10. LAUTER-TASTE
11. LEISER-TASTE
12. ZURÜCK-TASTE/RÜCKLAUFTASTE

13. WEITER-TASTE/VORLAUFTASTE
14. ZIFFERBLOCK 0 bis 9
15. 10+-Titel-Taste zur Auswahl 2-stelliger Zahlen.
16. ENTER-/EQUALIZER-TASTE
17. MENÜTASTE
18. INFO-TASTE zur Anzeige von Informationen im Modus DAB/UKW/CD.
19. VOREINSTELLUNGSTASTE zum Öffnen der Favoritenliste und zum Abrufen eines Senders.
20. TIMER-TASTE: Schlaftimer

Batterien für die Fernbedienung

Die Infrarot-Fernbedienung benötigt zwei AAA-Batterien (nicht im Lieferumfang enthalten).

- A) Entfernen Sie die Batteriefachabdeckung.
- B) Legen Sie zwei AAA-Batterien entsprechend den Markierungen im Batteriefach ein.
- C) Schließen Sie das Fach.



STROMVERSORGUNG

Dieses Gerät arbeitet mit Netzstrom von 100 bis 250 V Wechselspannung, 50 Hz/60 Hz. Schließen Sie das Netzkabel an eine haushaltsübliche Steckdose an. Stellen Sie sicher, dass die Spannung mit den Angaben am Typenschild auf der Rückseite des Gerätes übereinstimmt.

Schließen Sie das Gerät an die Stromversorgung an. Bringen Sie den EIN-/AUSSCHALTER (38) zum Einschalten des Gerätes in die EIN-Position. Bringen Sie den EIN-/AUSSCHALTER (38) zum Ausschalten des Gerätes in die AUS-Position.

Dieses Gerät hat zwei Betriebsmodi:

BEREITSCHAFTSMODUS: Das Display zeigt die aktuelle Zeit und Lautsprecher und Hintergrundbeleuchtung schalten sich aus.

WIEDERGABEMODUS: Die blaue Hintergrundbeleuchtung schaltet sich ein und Sie können Musik hören.

Wenn kein Ton ausgegeben wird, wechselt das Gerät nach 15 Minuten automatisch in den BEREITSCHAFTSMODUS.

Wechseln Sie zwischen WIEDERGABEMODUS und BEREITSCHAFTSMODUS. Drücken Sie den Lautstärkeregler/Ein-/Ausknopf zum Einschalten einmal und zum Ausschalten noch einmal.

SCHLAFTIMER EINSTELLEN

1. Diese Funktion ermöglicht Ihnen, zum Einschlafen Musik zu hören.
2. Halten Sie während der Musikwiedergabe die Taste TIMER (20 an der Fernbedienung) gedrückt und drücken Sie erneut TIMER, um zwischen OFF (AUS)/15/30/45/60/90 zu wählen.

Das Radio schaltet sich nach der ausgewählten Schlaftimer-Zeit automatisch aus.

SYSTEMEINSTELLUNGEN

Drücken Sie in allen Modi die Taste MENU (10) (17 an der Fernbedienung) und wählen Sie SYSTEM.

- Alarm: Wählen Sie diese Option zum Einstellen des Alarms.
- Time (Zeit): Wählen Sie diese Option zum Einstellen von Datum und Uhrzeit.
- Backlight (Hintergrundbeleuchtung): Wählen Sie diese Option zum Ändern von Zeitüberschreitung/Betriebsstufe/Anzeigebeleuchtung.
- Language (Sprache): Wählen Sie diese Option zum Ändern der Systemsprache.
- Factory Reset (Werksrücksetzung): Wählen Sie diese Option zum Zurücksetzen des Gerätes auf die Werkseinstellungen.
- Software Upgrade (Software-Aktualisierung): Wählen Sie diese Option, wenn eine neue Software-Version veröffentlicht wird.
- SW version (SW-Version): Wählen Sie diese Option zur Anzeige der aktuellen Software-Version.

ZEIT EINSTELLEN

1. Drücken Sie die Taste MENU (10) (17 an der Fernbedienung) und wählen Sie SYSTEM und dann Time (Zeit).
2. Set time/Date (Set time/Date) Drücken Sie wiederholt WEITER/ZURÜCK (17/18) (12/13 an der Fernbedienung), um das 12-/24-Stunden-Format zu wählen. Drücken Sie zur Bestätigung erneut die Taste ENTER/EQ (14) (16 an der Fernbedienung).
3. Die Stundenwerte blinken am Display. Drücken Sie WEITER/ZURÜCK (17/18) (12/13 an der Fernbedienung) wiederholt, um die richtigen Stundenwerte einzustellen. Drücken Sie zur Bestätigung erneut die Taste ENTER/EQ (14) (16 an der Fernbedienung).
4. Die Minutenwerte blinken am Display. Drücken Sie WEITER/ZURÜCK (17/18) (12/13 an der Fernbedienung) wiederholt, um die richtigen Minutenwerte einzustellen. Drücken Sie zur Bestätigung erneut die Taste ENTER/EQ (14) (16 an der Fernbedienung).
5. Die Tageswerte blinken am Display. Drücken Sie WEITER/ZURÜCK (17/18) (12/13 an der Fernbedienung) wiederholt, um das richtige Jahr einzustellen. Drücken Sie zur Bestätigung erneut die Taste ENTER/EQ (14) (16 an der Fernbedienung).
6. Die Monatswerte blinken am Display. Drücken Sie WEITER/ZURÜCK (17/18) (12/13 an der Fernbedienung) wiederholt, um den richtigen Monat einzustellen. Drücken Sie zur Bestätigung erneut die Taste ENTER/EQ (14) (16 an der Fernbedienung).
7. Die Jahreswerte blinken am Display. Drücken Sie WEITER/ZURÜCK (17/18) (12/13 an der Fernbedienung) wiederholt, um den richtigen Tag einzustellen. Drücken Sie zur Bestätigung erneut die Taste ENTER/EQ (14) (16 an der Fernbedienung).

ALARM EINSTELLEN

1. Drücken Sie die Taste MENU (10) (17 an der Fernbedienung) und wählen Sie SYSTEM und dann Alarm. Alternativ drücken Sie einfach wiederholt die TIMER-Taste (20 an der Fernbedienung), um Alarm 1 oder 2 zu wählen.

2. Drücken Sie dann zum Aufrufen der Alarmeinstellungen die Taste ENTER/EQ (14) (16 an der Fernbedienung). Durch Drücken der Taste WEITER (12 oder 13 an der Fernbedienung) und ENTER/EQ können Sie ON TIME (Einschaltzeit), Duration (Dauer), Alarm Source (Alarmquelle), Alarm Frequency (Alarmfrequenz) und Alarm Volume Level (Alarmlautstärke) usw. einstellen.
3. Sobald alle Einstellungen konfiguriert sind, sehen Sie „Alarm Saved“ (Alarm gespeichert) und das Alarmsymbol 1 oder 2 am Display.
4. Sobald der Alarm ausgeschaltet ist, verschwindet das Alarmsymbol.

Im DAB-Modus

Drücken Sie die Funktionstaste (4) (5 an der Fernbedienung) wiederholt, um den DAB-Modus auszuwählen.

Drücken Sie zur Suche nach dem Programm WEITER/ZURÜCK (17/18) (12/13 an der Fernbedienung).

DAB-MENÜ

Drücken Sie MENU (10) (17 an der Fernbedienung), um auf die Optionen zuzugreifen.

- Full Scan (Vollständige Suche): Wählen Sie diese Option zur Durchführung einer vollständigen Suche nach den verfügbaren DAB-Programmen. Zur Durchführung desselben Vorgangs können Sie SCAN (12) drücken.
- Manual Tune (Manuelle Einstellung): Wählen Sie diese Option, um manuell die DAB-Frequenz zu wählen.
- DRC: Wählen Sie diese Option zur Auswahl zwischen DRC low (DRC gering), DRC high (DRC hoch) und DRC off (DRC aus).
- Prune (Bereinigen): Löscht nicht verfügbare Sender aus der Senderliste.

DAB-VOREINSTELLUNG

Sie können maximal 20 voreingestellte Radiosender programmieren.

- Halten Sie die Taste PRESET (13) (19 an der Fernbedienung) gedrückt. PRESET STORE (VOREINSTELLUNG SPEICHERN) erscheint am Display.
Drücken Sie WEITER/ZURÜCK (17/18) (12/13 an der Fernbedienung) zur Auswahl der Voreinstellung. Drücken Sie zum Bestätigen ENTER (14) (16 an der Fernbedienung).
- Drücken Sie zum Navigieren durch die Voreinstellungen die Taste PRESET (13) (19 an der Fernbedienung).

DAB-INFO

Durch wiederholtes Drücken der Taste INFO (11) (18 an der Fernbedienung) sehen Sie die folgenden Informationen: NAME/KBPS/DATE (DATUM)/TIME (ZEIT).

WICHTIGE INFORMATIONEN ZUM DAB+-EMPFANG

Der DAB+-Radioempfang unterscheidet sich vom UKW-Radioempfang.

- Bei UKW können Sie bei schwachem Senderempfang häufig immer noch ein knisterndes oder knackendes Geräusch hören.
- DAB+-Empfang funktioniert digital. Daher hören Sie bei unzureichender Signalstärke nichts. Kein Zischen oder Knacken wie bei UKW. Dies liegt nicht am Radio, sondern an der Tatsache, dass das DAB+-Signal an diesem Ort nicht stark genug ist.
- Die DAB+-Regel lautet: kein oder schwacher Empfang = kein Ton.

Was können Sie tun, wenn Sie keinen direkten DAB+-Empfang haben?

- Richten Sie die Antenne zunächst immer gerade vertikal aus.
- Stellen Sie das Radio nicht zu nah an potenziellen Störquellen, wie z. B. Akkuladegeräten, rotierenden Maschinen, Computern, großen Metallflächen usw., auf.
- Bewegen Sie das Radio einige Meter.
- Schalten Sie das Radio ein und aktivieren Sie die vollständige Suche im DAB+-Menü
- Am Display des Radios sehen Sie den Fortschritt der Suche und die Anzahl der in der aktuellen Position des Radios gefundenen Sender.

Wichtig

- Beim DAB+-Empfang kann sich die Empfangsqualität innerhalb weniger Meter drastisch ändern. Bewegen Sie das Radio zur Suche nach einem stärkeren Signal, wenn das lokale DAB+-Signal schwach ist.
- Führen Sie die vollständige Suche erneut durch, wenn Sie das Radio an einen anderen Ort bringen. Dadurch sehen Sie, welche DAB+-Sender Sie dort empfangen können.

Im UKW-Modus

Drücken Sie die Funktionstaste (4) (5 an der Fernbedienung) wiederholt, um den UKW-Modus auszuwählen.

Drehen Sie den EINSTELLREGLER (21) zur manuellen Auswahl der Frequenz.

UKW-MENÜ

Drücken Sie MENU (10) (17 an der Fernbedienung), um auf die Optionen zuzugreifen.

- Scan Setting (Sucheinstellung): Wählen Sie über diese Option, ob alle Sender oder nur Sender mit gutem Empfang gesucht werden sollen.
- Audio Setting (Audioeinstellung): Wählen Sie über diese Option, ob Monoaudio erzwungen oder Stereoton erlaubt werden soll.

UKW-VOREINSTELLUNG

Siehe Anweisungen zu DAB-VOREINSTELLUNG.

UKW-INFO

Durch wiederholtes Drücken der Taste INFO (11) (18 an der Fernbedienung) sehen Sie die folgenden Informationen: KIND OF PROGRAM (ART DES PROGRAMMS)/FREQUENCY (FREQUENZ)/AUDIO/DATE (DATUM)/TIME (ZEIT).

KASSETTE ANHÖREN

1. Drücken Sie die Funktionstaste (4) (5 an der Fernbedienung) wiederholt, um den Modus TAPE (KASSETTE) auszuwählen.
2. Legen Sie eine Kassette in das Gerät ein. Das System startet die Wiedergabe nach Einlegen der Kassette automatisch.
3. Drücken Sie die Taste FFD/EJ (24) im Wiedergabemodus zur Hälfte hinunter. Die Kassette wird vorgespult.
Drücken Sie die Taste FFD/EJ (24) zum Fortsetzen der Wiedergabe erneut.
4. Drücken Sie die Taste FFD/EJ (24) vollständig hinunter und die Kassette wird über den KASSETTENMECHANISMUS (25) ausgeworfen.

CD WIEDERGEHEN

1. Drücken Sie die Funktionstaste (4) (5 an der Fernbedienung) wiederholt, um den Modus CD auszuwählen.
2. Drücken Sie die CD-FACH-ÖFFNEN/SCHLIESSEN-TASTE (20) (2 an der Fernbedienung), um das CD-Fach zu öffnen. Legen Sie eine CD mit der bedruckten Seite nach oben in das Fach ein, schließen Sie dann das CD-Fach. Der erste Titel wird wiedergehen.
 - Drücken Sie zur Auswahl Ihrer Lieblingsstücke ZURÜCK / WEITER (17/18) (12/13 an der Fernbedienung). Wenn Sie WEITER/ZURÜCK (17/18) (12/13 an der Fernbedienung) gedrückt halten, wird der Schnelrücklauf oder -vorlauf des Titels durchgeführt, bis Sie die Taste loslassen.
 - Drücken Sie WIEDERGABE/PAUSE (15) (9 an der Fernbedienung), um die Wiedergabe anzuhalten. Die Titelnummer beginnt zu blinken. Drücken Sie erneut WIEDERGABE/PAUSE (15) (9 an der Fernbedienung), um die Wiedergabe fortzusetzen.
 - Drücken Sie die Taste STOPP (16) (6 an der Fernbedienung), um die Wiedergabe zu stoppen.

WIEDERHOLTER/ZUFÄLLIGER WIEDERGABEMODUS

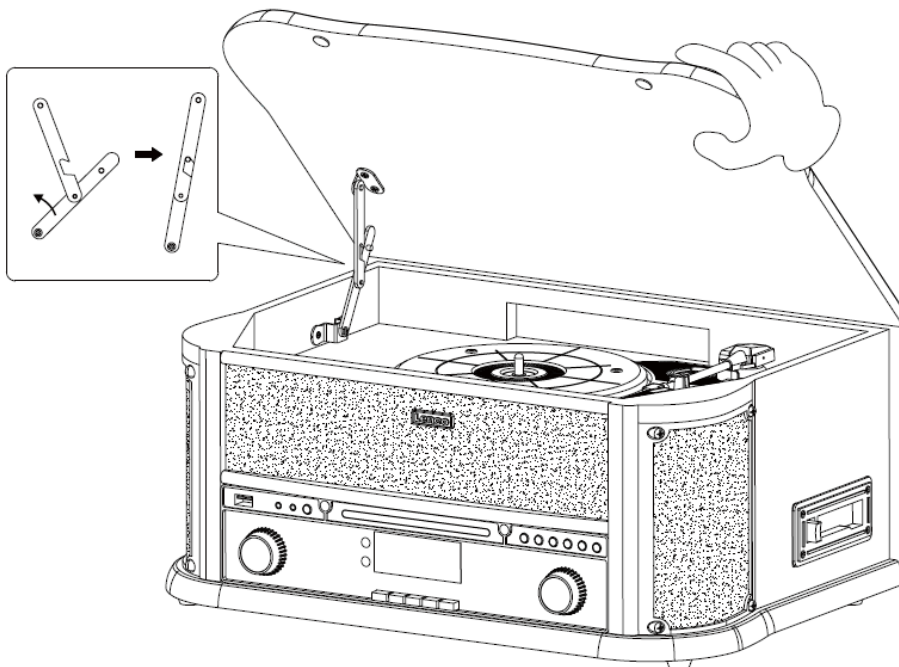
Drücken Sie während der CD-/USB-Wiedergabe wiederholt die Taste (7) an der Fernbedienung, um Folgendes zu wählen:

- Repeat1 (1 wiederholen): Der aktuelle Titel wird wiederholt wiedergegeben.
- Repeat DIR (Verzeichnis wiederholen): Der aktuelle Ordner wird wiederholt wiedergegeben.
- Repeat All (Alle wiederholen): Alle Titel werden wiederholt wiedergegeben.
- SHUFFLE (ZUFÄLLIG): Eine zufällige Auswahl von Disc-Titeln.
- INTRO: Zur Wiedergabe der ersten 10 Sekunden eines Titels.

CD-PROGRAMMIERUNG

Sie können bis zu 99 Titel zur Wiedergabe in einer gewünschten Reihenfolge programmieren.

1. Lesen Sie eine Disc ein und drücken Sie STOPP (16) (6 an der Fernbedienung), sobald die Wiedergabe startet.
2. Drücken Sie (8) an der Fernbedienung. „P01“ wird am Display angezeigt.
3. Drücken Sie zur Auswahl Ihrer Lieblingsstücke ZURÜCK / WEITER (17/18) (12/13 an der Fernbedienung).
4. Drücken Sie zum Speichern des Titels im Programmspeicher (8) an der Fernbedienung. „P02“ wird am Display angezeigt.
5. Wiederholen Sie die Schritte 3 bis 4 zur Auswahl und Speicherung aller gewünschten Titel.
6. Drücken Sie zum Starten der Programmwiedergabe WIEDERGABE/PAUSE (15) (9 an der Fernbedienung).
7. Drücken Sie zum Stoppen der Programmwiedergabe einmal STOPP (16) (6 an der Fernbedienung). Drücken Sie zum Löschen des Programms zweimal STOPP (16) (6 an der Fernbedienung).



Öffnen/Schließen der Abdeckung des Plattenspielers

Zum Öffnen:

- Heben Sie die Abdeckung des Plattenspielers bis zum Anschlag an.
- Senken Sie die Abdeckung langsam ab, bis die Verriegelung einrastet. Wenn die Verriegelung nicht einrastet, ziehen Sie mit der Hand an der unteren Stange.
- Die Abdeckung bleibt nun offen.

Zum Schließen

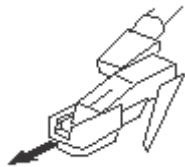
- Heben Sie die Abdeckung bis zum Anschlag an.

- Die Verriegelung sollte ausrasten. Senken Sie die Abdeckung langsam ab. Wenn die Verriegelung nicht ausrastet, drücken Sie die untere Stange mit der Hand heraus.
- Achten Sie darauf, die Abdeckung vorsichtig zu halten, um sich beim Schließen die Finger nicht einzuklemmen.

SCHALLPLATTEN ANHÖREN

SEHR WICHTIG! (Dieser Vorgang ist auf den großen Plattenspieler mit dieser Funktion beschränkt.)

1. Drücken Sie wiederholt die Taste MODE (4) (5 an der Fernbedienung), um den PHONO-Modus zu wählen.
2. Öffnen Sie die Abdeckung des Plattenspielers. Lösen Sie die Tonarmarretierung und entfernen Sie den Tonnadelschutz.



Legen Sie eine Schallplatte mittig auf den Plattenteller, indem Sie sie auf die Plattentellerspindel stecken. Platzieren Sie den EP-Adapter über Spindel in der Mitte, wenn Sie 17-cm-EP-Schallplatten wiedergeben.

3. Stellen Sie den 33/45/78-U/MIN-GESCHWINDIGKEITSREGLER (31) entsprechend der Schallplatte auf 33/45/78 U/min ein.
4. Heben Sie den Tonarm mit dem Tonarmlift-Hebel an. Bewegen Sie den Tonarm zum Anfang der Schallplatte oder zum Startpunkt eines bestimmten Titels. Senken Sie den Tonarm mit dem Tonarmlift-Hebel sanft auf die Schallplatte ab, um die Wiedergabe zu starten.
5. Wenn die Schallplatte zu Ende ist, stoppt der Tonarm automatisch. Um manuell zu stoppen, heben Sie den Tonarm von der Schallplatte und legen Sie ihn zurück auf die Halterung.
6. Das Bewegen oder Rütteln des Plattenspielers kann zu Beschädigungen des Tonarms führen, wenn der Tonarm nicht durch die Tonarmarretierung gesichert wurde. Setzen Sie die Schutzkappe auf die Tonnadel, wenn Sie sie nicht benutzen.

Einsetzen der Tonnadel

1. Halten Sie die Tonnadel an der Spitze fest und setzen Sie sie dann ein, indem Sie sie wie abgebildet in Richtung „B“ drücken.
2. Drücken Sie nun die Tonnadel solange nach oben in Richtung „C“, bis sie in der für sie vorgesehenen Position einrastet.



Führungsstifte (innen)

HINWEISE

Wir empfehlen Ihnen, Ihre Schallplatten mit einem antistatischen Tuch zu reinigen, um ein maximales Musikerlebnis von den Schallplatten zu erhalten.

Wir möchten Sie aus selben Grund darauf hinweisen, Ihre Tonnadel regelmäßig (ungefähr alle 250 Wiedergabestunden) zu wechseln.

AUX-EINGANG

Dieses Gerät bietet einen AUX-Audioeingang zum Anschließen externen Audiogeräte, wie MP3-Player oder CD-Player, und ermöglicht die Wiedergabe Ihrer externen Quelle über die Systemlautsprecher.

1. Verwenden Sie ein Audiokabel (nicht im Lieferumfang enthalten) mit Cinch-Stereosteckern an einem Ende des Kabels. Schließen Sie ein Ende an den AUX-Eingang am Hauptgerät an und verbinden Sie das andere Kabelende mit dem LINE-Ausgang oder Kopfhörerausgang Ihres externen Audiogerätes.
2. Schalten Sie das Gerät und Ihr externes Audiogerät ein. Drücken sie die Funktionstaste (4) (5 an der Fernbedienung) wiederholt, um den Modus AUX IN (AUX-EINGANG) auszuwählen.
3. Starten Sie die Wiedergabe des externen Gerätes (beachten Sie die Bedienungsanleitung des externen Gerätes).

BLUETOOTH-BETRIEB

1. Drücken Sie die Funktionstaste (4) zur Auswahl der BLUETOOTH-Funktion. „Bluetooth“ wird am Display angezeigt.
2. Wählen Sie an Ihrem transportablen Gerät (Smartphone, Tablet) den Bluetooth-Eintrag Lenco TCD-2571WD und bestätigen Sie den Verbindungsaufbau.
3. Bei erfolgreicher Kopplung hört der LCM auf zu blinken.
4. Nun können Sie die Musik auf den Lenco TCD-2571WD übertragen und alle Vorgänge sind nur von Ihrem Mobilgerät aus bedienbar.

Dieses Produkt arbeitet bei 2400 bis 2483,5 MHz und ist nur auf den Betrieb innerhalb einer normalen Haushaltsumgebung ausgelegt. Dieses Produkt eignet sich für diesen Zweck in allen EU-Ländern.

CODIERUNG VON RADIO/DAB-RADIO

Schließen Sie den USB-Datenträger an den USB-Anschluss an. Drücken Sie die Funktionstaste (4) (5 an der Fernbedienung), um das Gerät auf den DAB- oder UKW-Modus einzustellen. Wählen Sie mit dem EINSTELLREGLER oder der Taste WEITER/ZURÜCK (17/18) (12/13 an der Fernbedienung) den Sender, dessen Übertragung Sie aufnehmen möchten. Drücken Sie die Taste REC/DEL (19) (3 an der Fernbedienung) zweimal, um die Aufnahme zu starten. „REC“ blinkt am Display. Drücken Sie dann zum Stoppen der Aufnahme die Taste STOPP (16) (6 an der Fernbedienung).

AUFNAHME VON CD

Schließen Sie den USB-Datenträger an den USB-Anschluss an. Drücken Sie während der CD-Wiedergabe die Taste REC/DEL (19) (3 an der Fernbedienung) zweimal. „ONE“ (EINE) blinkt am Display, was bedeutet, dass Sie das Lied zur Aufnahme wählen können. Wenn die gesamte CD aufgezeichnet werden soll, drücken Sie die Weiter-Taste erneut und „ALL“ (ALLE) blinkt am Display. Drücken Sie zum Starten der Aufnahme noch einmal die Taste REC/DEL. Drücken Sie dann zum Stoppen der Aufnahme die Taste STOPP (16) (6 an der Fernbedienung).

AUFNAHME VON CD-MP3

Die Aufnahme von einer CD mit MP3-Dateien entspricht dem Verfahren bei einer Audio-CD. Wenn Sie den gesamten Dateiordner (bei einer CD mit mehreren Ordnern) wählen möchten, drücken Sie die Vorlauf-/Weiter-Taste und „REC-FOLDER“ (ORDNER AUFNEHMEN) blinkt am Display. Drücken Sie die Taste REC/DEL erneut, um die Aufnahme zu starten. Drücken Sie dann zum Stoppen der Aufnahme die Taste STOPP (16) (6 an der Fernbedienung).

AUFNAHME VON KASSETTE

Schließen Sie den USB-Datenträger an den USB-Anschluss an. Drücken Sie während der KASSETTEN-Wiedergabe zweimal die Taste REC/DEL (19) (3 an der Fernbedienung), um die Aufnahme zu starten. „REC“ blinkt am Display. Drücken Sie dann zum Stoppen der Aufnahme die Taste STOPP (16) (6 an der Fernbedienung).

AUFNAHME VON PHONO

Schließen Sie den USB-Datenträger an den USB-Anschluss an. Während der PHONO-Wiedergabe bewegen Sie den Tonarm über die gewünschte Stelle an der Schallplatte und senken Sie ihn auf die Schallplatte. Drücken Sie zweimal die Taste REC/DEL (19) (3 an der Fernbedienung), um die Aufnahme zu starten. „REC“ blinkt am Display. Drücken Sie dann zum Stoppen der Aufnahme die Taste STOPP (16) (6 an der Fernbedienung).

AUFNAHME VON BLUETOOTH

Schließen Sie den USB-Datenträger an den USB-Anschluss an. Drücken Sie während der BLUETOOTH-Wiedergabe zweimal die Taste REC/DEL (19) (3 an der Fernbedienung), um die Aufnahme Ihrer gewünschten Musik zu starten. „REC“ blinkt am Display. Drücken Sie dann zum Stoppen der Aufnahme die Taste STOPP (16) (6 an der Fernbedienung).

CODIERUNG VON AUX

Schließen Sie den USB-Datenträger an den USB-Anschluss an. Stellen Sie während der AUX-Wiedergabe die externe Signalquelle auf Wiedergabe ein und drücken Sie die Taste REC/DEL (19) (3 an der Fernbedienung) zweimal, um die Aufnahme zu starten. „REC“ blinkt am Display. Drücken Sie dann zum Stoppen der Aufnahme die Taste STOPP (16) (6 an der Fernbedienung).

WIEDERGABE VON USB

1. Stecken Sie den Stecker des USB-Gerätes in den USB-Anschluss.
2. Drücken Sie die Funktionstaste (4) (5 an der Fernbedienung) wiederholt, um den USB-Modus auszuwählen.
3. Das Gerät beginnt nach dem Verbindungsaufbau automatisch mit dem Lesen des Gerätes.
4. Das Anhören der Inhalte eines USB-Gerätes funktioniert ebenso wie das Anhören einer CD.

USB LÖSCHEN

1. Halten Sie während der Wiedergabe die Taste REC/DEL (19) (4 an der Fernbedienung) gedrückt. „DEL“ (LÖSCHEN) erscheint am Display.
2. Drücken Sie wiederholt die Taste WEITER/ZURÜCK (17/18) (12/13 an der Fernbedienung), um zwischen ONE (EINE)/FOLDER (ORDNER)/ALL (ALLE) zu wählen.
3. Drücken Sie REC/DEL (19) (4 an der Fernbedienung) zum Bestätigen erneut.

EQUALIZER-BETRIEB

Drücken Sie im Wiedergabemodus die TASTE ENTER/EQ (16 an der Fernbedienung), um aus folgenden Soundeffekten zu wählen: FLAT/POP/CLASSIC (KLASSIK)/ROCK/JAZZ/BASS.

TECHNISCHE DATEN

Stromnetzanschluss: 100 bis 250 V Wechselspannung, 50 Hz/60 Hz

UKW: 87,5 – 108 MHz

DAB-Band: BAND III

Änderung von Design und Spezifikationen ohne vorherige Ankündigung vorbehalten.

Garantie

Commaxx B.V. bietet Leistungen und Garantien im Einklang mit Europäischem Recht. Setzen Sie sich deshalb im Falle von Reparaturen (sowohl während als auch nach Ablauf der Garantiezeit) mit Ihrem Fachhändler in Verbindung.

Wichtiger Hinweis: Es ist nicht möglich, Produkte für Reparaturen direkt an Commaxx B.V. zu schicken.

Wichtiger Hinweis: Wenn dieses Gerät aus welchem Grund auch immer durch ein nicht offizielles Servicezentrum geöffnet oder durch dieses Servicezentrum darauf zugegriffen wurde, erlischt die Garantie.

Dieses Gerät ist nicht für professionelle Zwecke geeignet. Falls das Gerät für professionelle Zwecke eingesetzt wird, erlöschen alle Garantieverpflichtungen seitens des Herstellers.

Haftungsausschluss

Aktualisierungen der Firmware und/oder Hardware-Komponenten werden regelmäßig durchgeführt. Aus diesem Grund können einige der Anweisungen, Spezifikationen und Abbildungen in dieser Dokumentation von dem Ihnen vorliegenden Gerät geringfügig abweichen. Alle in diesem Handbuch beschriebenen Elemente dienen nur zur Illustration und treffen auf Ihre individuelle Situation möglicherweise nicht zu. Aus der in diesem Handbuch getätigten Beschreibung können keine Rechtsansprüche oder Leistungsanforderungen geltend gemacht werden.



Entsorgung des Altgeräts

Dieses Symbol zeigt an, dass das entsprechende Produkt oder dessen Akku/Batterie in Europa nicht mit dem normalen Hausmüll entsorgt werden darf. Um die ordnungsgemäße Abfallbehandlung des Produkts und dessen Akku/Batterie zu gewährleisten, müssen diese im Einklang mit allen anwendbaren örtlichen Vorschriften zur Entsorgung von Elektrogeräten und Akkus/Batterien entsorgt werden. Dadurch helfen Sie, natürliche Ressourcen zu schonen und Umweltschutzstandards zur Verwertung und Entsorgung von Altgeräten aufrecht zu halten (Richtlinie über Entsorgung Elektrischer und Elektronischer Altgeräte).

KONFORMITÄTSERKLÄRUNG

Hiermit erklärt Commaxx, dass das Funkgerät vom Typ [Lenco TCD-2571] der Richtlinie 2014/53/EU entspricht. Den vollständigen Text der EU-Konformitätserklärung finden Sie unter der folgenden Internetadresse:

https://commaxx-certificates.com/doc/tcd-2571_doc.pdf

Typ HF	Frequenzbereich (MHz)	Leistung (dBm)
Bluetooth	2402-2480	<6

DAB	174 - 240	-
UKW	87,5 - 108	-

Service

Besuchen Sie bitte für weitere Informationen und unseren Kundendienst unsere Homepage www.lenco.com
Commaxx B.V. Wiebachstraat 37, 6466 NG Kerkrade, The Netherlands.

ATTENTION :

L'utilisation de commandes ou de réglages ou l'exécution de procédures autres que celles spécifiées dans ce manuel peut entraîner une exposition à des rayonnements dangereux.

PRÉCAUTIONS AVANT UTILISATION**GARDEZ CES INSTRUCTIONS À L'ESPRIT :**

1. Ne couvrez pas et n'obturez pas les ouvertures de ventilation. Veuillez laisser un espace libre de 5 cm autour de l'appareil lorsque vous le posez sur une étagère.
2. L'installation doit être effectuée conformément au guide d'utilisation fourni.
3. Gardez l'appareil à l'écart des sources de chaleur telles que les radiateurs, les systèmes de chauffage, les cuisinières, les bougies et autres équipements générant de la chaleur ou une flamme nue. L'appareil ne doit être utilisé que dans un climat modéré. Les environnements extrêmement froids ou chauds doivent être évités. La température de fonctionnement doit se trouver entre 0 et 35 °C.
4. Évitez d'utiliser l'appareil à proximité de champs magnétiques puissants.
5. Des décharges électrostatiques peuvent perturber le fonctionnement normal de cet appareil. Dans ce cas, réinitialisez et redémarrez l'appareil en suivant le guide d'utilisation. Pendant le transfert de fichiers, manipulez l'appareil avec précaution dans un environnement privé d'électricité statique.
6. Avertissement ! N'introduisez jamais un objet dans l'appareil par les ouvertures et fentes de ventilation. Des tensions élevées sont présentes dans l'appareil, l'insertion d'un objet peut entraîner une électrocution ou court-circuiter certains composants. Pour les mêmes raisons, ne versez pas d'eau ou de liquide sur l'appareil.
7. N'utilisez pas l'appareil dans des endroits humides tels qu'une salle de bain, une cuisine pleine de vapeur ou à proximité d'une piscine.
8. L'appareil ne doit pas être exposé à des écoulements ou des éclaboussures et aucun objet contenant un liquide, tel qu'un vase, ne doit être posé sur ou près de l'appareil.
9. N'utilisez pas cet appareil lorsque de la condensation est possible. Lorsque l'appareil est utilisé dans une pièce chaude et humide, des gouttelettes d'eau ou de la condensation peuvent se former à l'intérieur de l'appareil et affecter son fonctionnement adéquat. Si tel est le cas, laissez l'appareil hors tension pendant 1 ou 2 heures avant de le mettre en marche : l'appareil doit être sec avant toute remise en marche.
10. Cet appareil est fabriqué avec le plus grand soin et vérifié plusieurs fois avant la sortie de l'usine, cependant il est toujours possible, comme pour tout appareil électrique, que des problèmes surviennent. Si vous remarquez de la fumée, une accumulation excessive de chaleur ou tout autre phénomène inattendu, débranchez immédiatement la fiche de la prise électrique secteur.
11. Cet appareil doit fonctionner avec la source d'alimentation indiquée sur la plaque signalétique. Si vous n'êtes pas sûr de votre type d'alimentation électrique, contactez le revendeur ou la compagnie d'électricité locale.
12. Gardez l'appareil à l'écart des animaux. Certains animaux aiment ronger les cordons d'alimentation.
13. Pour nettoyer l'appareil, utilisez un chiffon doux et sec. N'utilisez pas de solvant ni d'autre liquide à base de pétrole.
Pour enlever les taches tenaces, utilisez un chiffon humide imbibé d'une solution de détergent diluée.
14. Le fournisseur n'est pas responsable des dommages ou pertes de données causés par un dysfonctionnement, une utilisation abusive, une modification de l'appareil ou un remplacement de la batterie.
15. Ne coupez aucune connexion lorsque l'appareil effectue un formatage ou transfert de fichiers. Autrement, les données risquent d'être corrompues ou perdues.
16. Si l'appareil dispose d'une fonction de lecture USB, il faut brancher la clé USB directement sur l'appareil. N'utilisez pas de câble de rallonge USB, car cela peut provoquer des interférences susceptibles de causer la perte de données.
17. La plaque signalétique se situe en dessous ou à l'arrière de l'appareil.

18. Cet appareil n'est pas destiné à être utilisé par des personnes (enfants y compris) souffrant de handicaps physiques, sensoriels ou mentaux, ou manquant d'expérience et de connaissances, sauf si elles sont sous surveillance ou ont reçu des instructions sur l'utilisation correcte de l'appareil par la personne responsable de leur sécurité.
19. Cet appareil est réservé à un usage non professionnel, et non pas à un usage commercial ou industriel.
20. Vérifiez que l'appareil est en position stable. La garantie ne couvre pas les dégâts occasionnés par l'utilisation de cet appareil en position instable, soumis à des vibrations ou chocs, ou par le non-respect de tout autre avertissement ou précaution contenus dans ce guide d'utilisation.
21. N'ouvrez jamais cet appareil.
22. Ne placez jamais cet appareil sur un autre appareil électrique.
23. Ne laissez pas les sacs en plastique à la portée des enfants.
24. N'utilisez que des pièces/accessoires recommandés par le fabricant.
25. Confiez tout entretien à un personnel de service qualifié. Une réparation est nécessaire lorsque l'appareil a été endommagé de quelque façon que ce soit, par exemple lorsque le cordon d'alimentation ou sa fiche est endommagée, lorsqu'un liquide a été renversé ou des objets ont été introduits dans l'appareil, lorsqu'il a été exposé à la pluie ou à l'humidité, ne fonctionne pas correctement ou s'il est tombé.
26. Une exposition prolongée à la musique avec un volume élevé peut entraîner une perte auditive temporaire ou permanente.
27. Si l'appareil est livré avec un câble d'alimentation ou un adaptateur secteur :
 - En cas de problème, débranchez le cordon d'alimentation secteur et confiez l'entretien à un personnel qualifié.
 - Ne marchez pas sur l'adaptateur secteur et ne le pincez pas. Faites très attention, en particulier lorsque vous êtes à proximité des fiches et du point de sortie du câble. Ne placez aucun objet lourd sur l'adaptateur secteur, il pourrait l'endommager. Gardez l'appareil hors de portée des enfants ! Les enfants pourraient se blesser gravement s'ils jouent avec le cordon d'alimentation.
 - Débranchez cet appareil pendant les orages ou lorsqu'il n'est pas utilisé pendant une longue durée.
 - La prise secteur doit être installée près de l'appareil et être facilement accessible.
 - Ne surchargez pas les prises de courant ou les rallonges. Une surcharge peut entraîner un incendie ou une électrocution.
 - Un appareil de classe 1 doit être branché sur une prise secteur disposant d'une mise à la terre.
 - Les appareils de classe 2 ne nécessitent pas de mise à la terre.
 - Tirez toujours sur la fiche lorsque vous la retirez de la prise d'alimentation secteur. Ne tirez pas sur le cordon d'alimentation. Cela pourrait provoquer un court-circuit.
 - N'utilisez pas un cordon ou une fiche d'alimentation endommagé(e) ni une prise desserrée. Cela pourrait entraîner une électrocution ou un incendie.
28. Si l'appareil comprend ou est livré avec une télécommande contenant des piles boutons/piles :

Avertissement :

 - « N'avalez pas les piles ! Risque de brûlure chimique » ou équivalent.
 - [La télécommande fournie avec] cet appareil contient une pile bouton/pile. Si la pile bouton est avalée, elle peut causer des brûlures internes graves en seulement 2 heures et peut conduire à la mort.
 - Gardez les piles neuves et usées hors de la portée des enfants.
 - Si le compartiment à pile ne se ferme pas correctement, cessez d'utiliser l'appareil et gardez-le hors de portée des enfants.
 - Si vous pensez que les piles ont été avalées ou ingérées d'une manière ou d'une autre, consultez immédiatement un médecin.
29. Avertissements sur l'utilisation des piles :
 - Risque d'explosion si la pile n'est pas remplacée correctement. Ne les remplacez que par des piles du même type ou d'un type équivalent.

- Les piles ne doivent pas être soumises à des températures extrêmement élevées ou basses, à une faible pression d'air à haute altitude pendant l'utilisation, le stockage ou le transport.
- Tout remplacement de pile par un type incorrect peut entraîner une explosion ou une fuite de liquide ou de gaz inflammable.
- L'élimination d'une pile dans le feu ou dans un four chaud, l'écrasement ou le découpage mécanique peut entraîner une explosion.
- Laisser une pile dans un environnement à température extrêmement élevée peut entraîner une explosion ou une fuite de liquide ou de gaz inflammable.
- Une pile soumise à une pression d'air extrêmement basse peut entraîner une explosion ou une fuite de liquide ou de gaz inflammable.
- Une attention particulière doit être portée sur les aspects environnementaux d'élimination des piles.

INSTALLATION

- Déballez tous les composants et enlevez les matériaux de protection.
- Ne branchez pas l'appareil sans avoir vérifié la tension secteur et sans avoir effectué toutes les autres connexions.

AVERTISSEMENT

Produit laser de classe 1

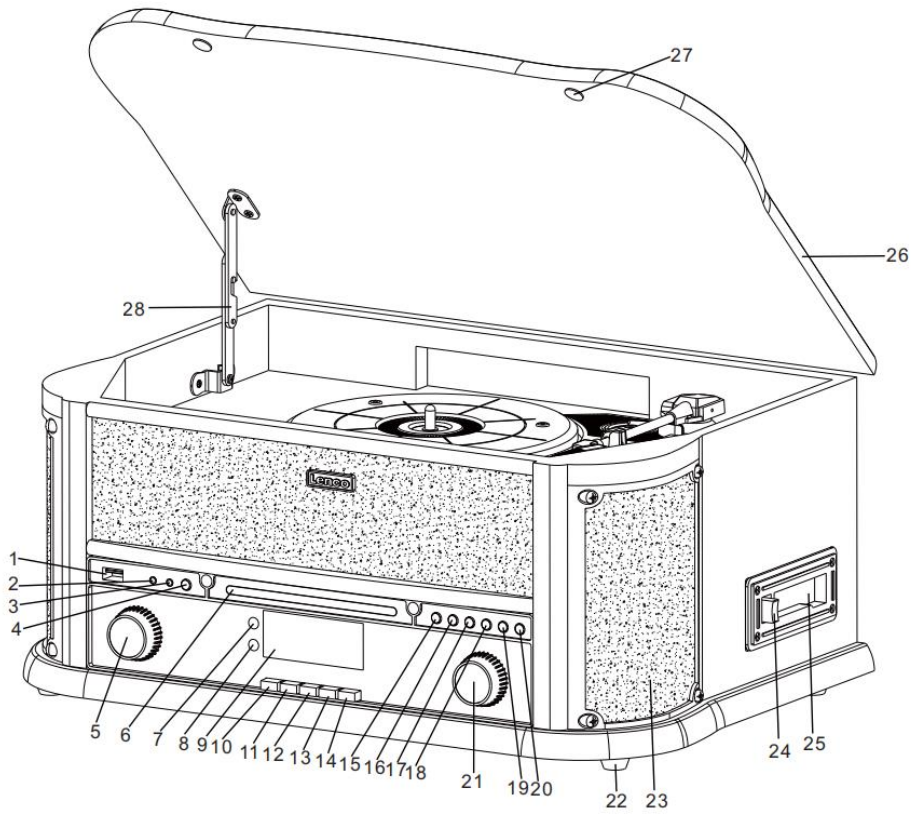
PRODUIT LASER DE CLASSE 1
APPAREIL À LASER DE CLASSE 1
PRODUCTO LASER DE CLASSE 1

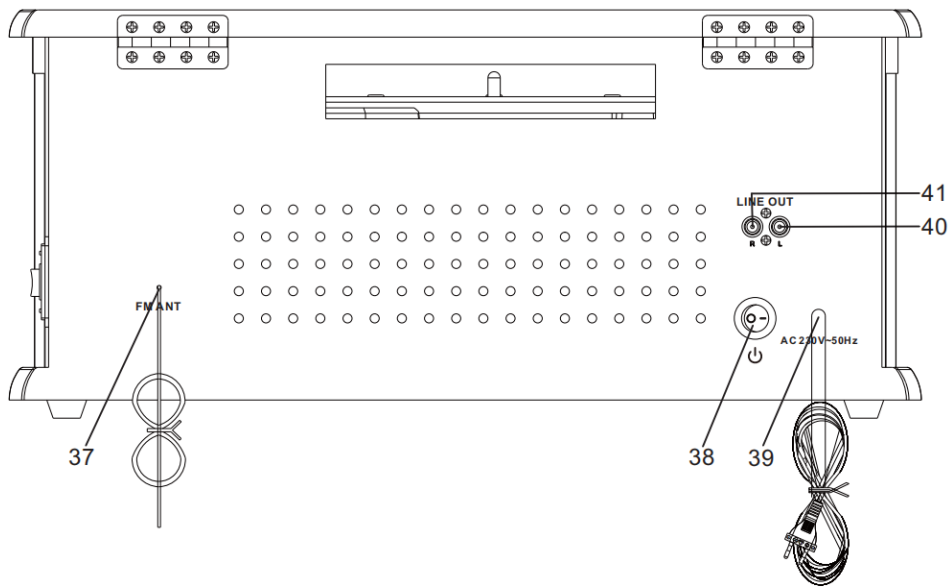
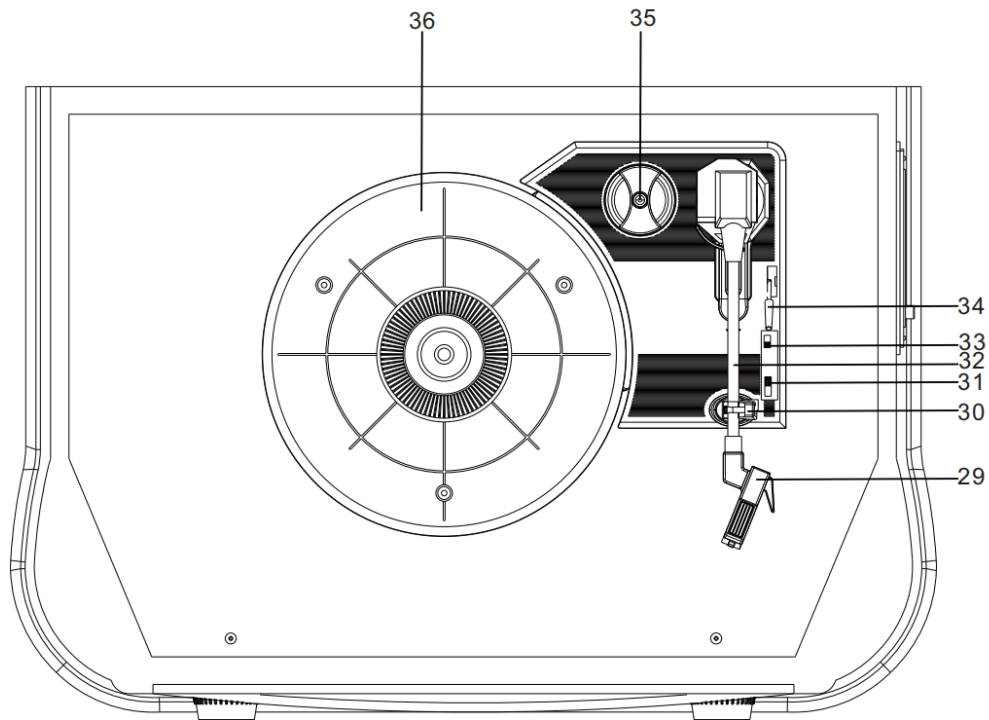
ATTENTION
RAYONNEMENT LASER INVISIBLE EN
CAS D'OUVERTURE ET DE
DÉVERROUILLAGE.
ÉVITER D'ÊTRE EXPOSÉ AU FAISCEAU

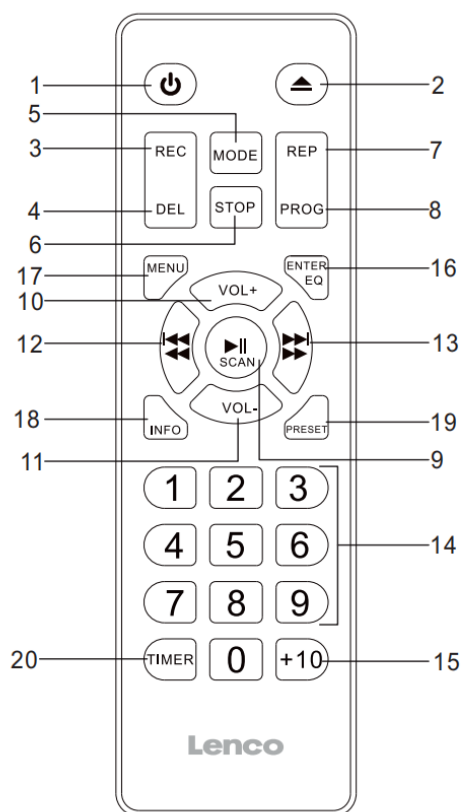


Ce produit contient un dispositif laser à faible puissance.

Avertissement : Ne touchez pas la tête de lecture.







Votre nouvel appareil a été fabriqué et assemblé conformément aux normes strictes de contrôle de la qualité. Nous vous remercions d’avoir acheté notre produit pour votre plaisir musical. Avant d’utiliser l’appareil, veuillez lire attentivement ce manuel d’utilisation. Gardez-le également à portée de main pour toute référence futures.

EMPLACEMENT DES COMMANDES

1. CONNECTEUR USB
2. PRISE D'ENTRÉE AUXILIAIRE 3,5 MM
3. PRISE CASQUE 3,5 MM
4. BOUTON DE FONCTION (DAB/FM/BLUETOOTH/CD/USB/PHONO/CASSETTE/AUX)
5. BOUTON DE VOLUME/MISE EN VEILLE DE L'ALIMENTATION
6. COMPARTIMENT CD
7. CAPTEUR DE LA TÉLÉCOMMANDE
8. VOYANT D'ALIMENTATION
9. ÉCRAN LCM
10. BOUTON MENU
11. BOUTON INFO
12. Bouton de SCAN
13. BOUTON DE PRESET

14. BOUTON ENTRER/EQ
15. TOUCHE PLAY/PAUSE
16. BOUTON ARRÊT
17. BOUTON DN/F-R
18. BOUTON UP/F-F
19. REC/DEL (BOUTON D'ENREGISTREMENT/SUPPRESSION)
20. BOUTON OUVERTURE/FERMETURE DU COMPARTIMENT CD
21. BOUTON DE SYNTONISATION/MODE DE LECTURE
22. APPUI-PIED EN PLASTIQUE
23. ENCEINTES
24. BOUTON D'ARRÊT/ÉJECTION DE LA CASSETTE
25. MÉCANISME DE LA CASSETTE
26. COUVERCLE ANTI-POUSSIÈRE
27. COUSSIN DU COUVERCLE ANTI-POUSSIÈRE
28. CHARNIÈRE
29. CARTOUCHE
30. SUPPORT DU BRAS DE LECTURE
31. SÉLECTEUR DE VITESSE 33/45/78 TOURS
32. BRAS DE LECTURE
33. Arrêt automatique MARCHE/ARRÊT
34. COMMUTATEUR DE PAUSE DU TOURNE-DISQUES
35. ADAPTATEUR
36. TOURNE-DISQUES
37. ANTENNE FM/DAB
38. COMMUTATEUR MARCHE/ARRÊT
39. CORDON D'ALIMENTATION CA
- 40/41. PRISES DE SORTIE DE LIGNE (R+L)

TÉLÉCOMMANDE

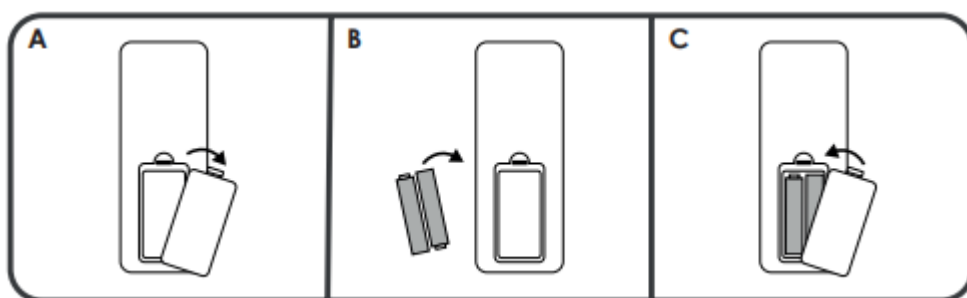
1. MARCHE/ARRÊT
2. OUVERTURE/FERMETURE DE LA PORTE DU COMPARTIMENT CD
3. REC : en mode CD/AUX IN/DAB/PHONO/CASSETTE/BT, appuyez dessus pour activer la fonction d'enregistrement.
4. BOUTON SUPPRIMER
5. BOUTON DE MODE pour sélectionner la source CD/USB/BT/DAB/FM/TAPE/PHONO/AUX IN.
6. BOUTON ARRÊT
7. BOUTON REPEAT pour sélectionner la lecture répétée (CD/USB).
8. PROGRAMME : en mode CD/USB, appuyez dessus pour activer la fonction de programmation.
9. LECTURE/PAUSE/BALAYAGE : en mode CD/USB, appuyez une fois pour démarrer la lecture, appuyez à nouveau pour passer en mode pause. Lancer une recherche complète en mode DAB ou FM.
10. BOUTON VOLUME +
11. BOUTON VOLUME -
12. BOUTON SAUT- /DE REMBOBINAGE
13. BOUTON SAUT+/BOUTON D'AVANCÉE RAPIDE

14. BLOC NUMÉRIQUE 0-9
15. Bouton de piste 10+ pour sélectionner des nombres à 2 chiffres.
16. BOUTON ENTRER/EQ
17. BOUTON MENU
18. BOUTON INFO pour afficher les informations sur le DAB/FM/CD.
19. BOUTON PRÉSÉLECTION pour ouvrir la liste des favoris et rappeler une station.
20. BOUTON DE MINUTERIE : minuterie de veille

Piles pour la télécommande

La télécommande infrarouge nécessite 2 piles AAA (non fournies)

- A) Retirez le couvercle du compartiment à piles
- B) Insérez 2 piles AAA selon les marques à l'intérieur du compartiment.
- C) Fermez le compartiment.



ALIMENTATION ÉLECTRIQUE

Cet appareil fonctionne sur une alimentation principale de 100-250 V~ 50 Hz/60 Hz. Branchez le cordon d'alimentation CA sur la prise principale CA de la maison. Assurez-vous que la tension est celle indiquée sur la plaque signalétique à l'arrière de l'appareil.

Connectez l'appareil à l'alimentation. Mettez le commutateur MARCHE/ARRÊT (38) en position MARCHE pour mettre l'appareil en marche. Mettez le commutateur MARCHE/ARRÊT (38) en position ARRÊT pour éteindre l'appareil.

Cet appareil dispose de deux modes de fonctionnement :

MODE VEILLE : L'écran affiche l'heure actuelle et les haut-parleurs et le rétroéclairage sont éteints.

MODE LECTURE : Le rétroéclairage bleu est allumé et vous pouvez écouter de la musique.

Si aucun son n'est produit, l'appareil passe automatiquement en MODE VEILLE au bout de 15 minutes.

Pour basculer entre le MODE LECTURE et le MODE VEILLE. Appuyez une fois sur le bouton de volume/alimentation pour activer l'appareil, appuyez à nouveau sur le bouton de volume/alimentation pour désactiver l'appareil.

RÉGLAGE DE LA MISE EN VEILLE

1. Cette fonction vous permet de vous endormir en écoutant la radio.
2. Tout en écoutant de la musique, appuyez sur MINUTERIE (20 sur la télécommande) et maintenez-la enfoncée, puis appuyez à nouveau sur MINUTERIE pour choisir entre ARRÊT /15/30/45/60/90.

La radio s'éteint automatiquement après la minuterie de veille sélectionnée.

PARAMÈTRES SYSTÈME

Dans tous les modes, appuyez sur le bouton MENU (10) (17 sur la télécommande) et sélectionnez SYSTÈME :

- Alarme : sélectionnez cette option pour régler l'alarme.
- Time (Heure) : sélectionnez cette option pour régler la date et l'heure.
- Backlight (Rétro-éclairage) : sélectionnez cette option pour modifier le délai d'attente, le niveau d'activation et l'éclairage de l'écran.
- Language (Langue) : sélectionnez cette option pour changer la langue du système.
- Factory Reset (Réinitialisation d'usine) : sélectionnez cette option pour réinitialiser l'appareil aux paramètres d'usine.
- Software Upgrade (Mise à niveau logicielle) : sélectionnez cette option si une nouvelle version du logiciel est publiée.
- SW version (Version logicielle) : sélectionnez cette option pour afficher la version actuelle du logiciel.

RÉGLAGE DE L'HEURE

1. Appuyez sur le bouton MENU (10) (17 sur la télécommande) et sélectionnez l'option SYSTEM to Time.
2. Set time/Date (Régler heure/date) Appuyez à répétition sur SAUT+/- (17/18) (12/13 sur la télécommande) pour sélectionner les 12/24 chiffres de l'heure. Appuyez à nouveau sur le bouton ENTRER/EQ (14) (16 sur la télécommande) pour confirmer.
3. Les chiffres de l'heure clignotent à l'écran. Appuyez à répétition sur SAUT+/- (17/18) (12/13 sur la télécommande) pour régler l'heure approprié. Appuyez à nouveau sur le bouton ENTRER/EQ (14) (16 sur la télécommande) pour confirmer.
4. Les chiffres de la minute clignotent à l'écran. Appuyez à répétition sur SAUT+/- (17/18) (12/13 sur la télécommande) pour régler la minute appropriée. Appuyez à nouveau sur le bouton ENTRER/EQ (14) (16 sur la télécommande) pour confirmer.
5. Les chiffres du jour clignotent à l'écran. Appuyez à répétition sur SAUT+/- (17/18) (12/13 sur la télécommande) pour régler l'année appropriée. Appuyez à nouveau sur le bouton ENTRER/EQ (14) (16 sur la télécommande) pour confirmer.
6. Les chiffres du mois clignotent à l'écran. Appuyez à répétition sur SAUT+/- (17/18) (12/13 sur la télécommande) pour régler le mois approprié. Appuyez à nouveau sur le bouton ENTRER/EQ (14) (16 sur la télécommande) pour confirmer.
7. Les chiffres de l'année clignotent à l'écran. Appuyez à répétition sur SAUT+/- (17/18) (12/13 sur la télécommande) pour régler le jour appropriée. Appuyez à nouveau sur le bouton ENTRER/EQ (14) (16 sur la télécommande) pour confirmer.

RÉGLAGE DE L'ALARME

1. Appuyez à répétition sur le bouton MENU (10) (17 sur la télécommande) et sélectionnez l'option SYSTEM to Alarm ou appuyez simplement sur MINUTERIE (20 sur la télécommande) pour sélectionner l'alarme 1 ou 2.

2. Appuyez ensuite sur le bouton ENTRER/EQ (14) (16 sur la télécommande) pour commencer le réglage de l'alarme. Vous pouvez appuyer sur la touche SAUT (12 ou 13 sur la télécommande) et sur la touche ENTRER/EQ pour régler l'heure de mise en marche, la durée, la source de l'alarme, la fréquence de l'alarme et le niveau du volume de l'alarme, etc.
3. Une fois tous les réglages effectués, vous verrez « Alarm Saved (Alarme enregistrée)» et l'icône Alarme 1 ou 2 s'affichera à l'écran
4. Une fois l'alarme désactivée, l'icône d'alarme disparaîtra.

Mode radio DAB

Appuyez plusieurs fois sur le bouton de fonction (4) (5 sur la télécommande) pour sélectionner le mode radio DAB.

Appuyez sur SAUT+/- (17/18) (12/13 sur la télécommande) pour lancer la recherche des programmes

MENU DAB

Appuyez sur MENU (10) (17 sur la télécommande) pour accéder aux options.

- Full Scan (Balayage complet) : sélectionnez cette option pour effectuer un balayage complet des programmes DAB disponibles. Vous pouvez appuyer sur BALAYER (12) pour effectuer la même opération.
- Manual Tune (Syntonisation manuelle) : sélectionnez cette option pour sélectionner manuellement la fréquence radio DAB.
- DRC : sélectionnez cette option pour choisir entre DRC faible, DRC élevé et DRC désactivé.
- Prune (Élaguer) : supprimez les stations indisponibles de la liste des stations.

PRÉSÉLECTION DAB

Vous pouvez programmer un maximum de 20 stations de radio présélectionnées.

- Appuyez sur PRÉSÉLECTION (13) (19 sur la télécommande) et maintenez-la enfoncée. PRESET STORE (MÉMOIRE DE PRÉSÉLECTION) apparaît à l'écran. Appuyez sur SAUT+/- (17/18) (12/13 sur la télécommande) pour sélectionner le numéro de présélection. Appuyez sur ENTRER (14) (16 sur la télécommande) pour confirmer.
- Appuyez sur PRÉSÉLECTION (13) (19 sur la télécommande) pour naviguer parmi les stations présélectionnées.

INFO DAB

Appuyez à répétition sur INFO (11) (18 sur la télécommande) pour afficher les informations suivantes NAME /KBPS / DATE / TIME (NOM/KBPS/DATE/HEURE).

INFORMATIONS IMPORTANTES SUR LA RÉCEPTION DAB

La réception radio DAB+ est différente de la réception radio FM.

- En mode FM, il est toujours possible que vous receviez une station faible, mais probablement avec un son bruyant ou crépitant.

- La réception DAB+ fonctionne de manière numérique et si le signal est insuffisant, vous n'entendez rien. Aucun sifflement ni grésillement comme avec le mode FM. Cette situation n'est pas due à la radio, mais au fait qu'un signal DAB+ n'est pas disponible à cet endroit.
- La règle du mode DAB+ est la suivante : pas de réception ou réception faible = pas de son.

Que faire si vous n'avez pas de réception DAB+ directe.

- Commencez toujours par orienter l'antenne verticalement vers le haut.
- Ne placez pas la radio trop près de sources potentielles d'interférences comme des chargeurs de batterie, des machines rotatives, des ordinateurs, de grandes surfaces métalliques, etc.
- Déplacez la radio de quelques mètres.
- Allumez la radio et activez un balayage complet dans le menu DAB+
- La progression du balayage et le nombre de stations trouvées dans la position actuelle de la radio s'affichent à l'écran de la radio.

Important

- Avec la réception DAB+, le niveau de réception peut considérablement basculer lorsque vous déplacez l'appareil « de quelques mètres ». En cas de signal DAB+ local faible, déplacez la radio pour trouver un signal plus fort.
- Si vous déplacez la radio vers un autre endroit, effectuez à nouveau un balayage complet. Ce phénomène vous indiquera quelles stations DAB+ peuvent être reçues à cet endroit.

Mode radio FM

Appuyez plusieurs fois sur le bouton de fonction (4) (5 sur la télécommande) pour sélectionner le mode radio FM.

Tournez le bouton de syntonisation (21) pour sélectionner manuellement la fréquence.

MENU FM

Appuyez sur MENU (10) (17 sur la télécommande) pour accéder aux options.

- Scan Setting (Réglage du balayage) : sélectionnez cette option pour choisir entre le balayage de toutes les stations ou uniquement des stations les plus puissantes.
- Audio Setting (Réglage audio) : sélectionnez cette option pour choisir entre forcer l'audio mono ou autoriser le son stéréo.

PRÉSÉLECTION FM

Voir, les instructions de PRÉSÉLECTION DAB

INFO FM

Appuyez à répétition sur INFO (11) (18 sur la télécommande) pour afficher les informations suivantes : KIND OF PROGRAM/FREQUENCY/AUDIO/DATE/TIME (TYPE DE PROGRAMME/FRÉQUENCE/AUDIO/DATE/HEURE).

LECTURE DE LA CASSETTE

1. Appuyez plusieurs fois sur le bouton de fonction (4) (5 sur la télécommande) pour sélectionner le mode radio TAPE.
2. Chargez une cassette dans l'appareil. Le système lance automatiquement la lecture après l'insertion de la cassette.
3. Appuyez à moitié sur le BOUTON FFD/EJ (24) pendant la lecture. La cassette embobine vers l'avant.
Appuyez à nouveau légèrement sur FFD/EJ (24) pour reprendre la lecture.
4. Appuyez complètement sur FFD/EJ (24) et la cassette sera éjectée par Le MÉCANISME DU COMPARTIMENT DE LA CASSETTE (25).

LIRE UN DISQUE COMPACT

1. Appuyez à répétition sur le bouton de fonction (4) (5 sur la télécommande) pour sélectionner le mode CD.
2. Appuyez sur le bouton COMPARTIMENT CD OUVRIR/FERMER (20) (2 sur la télécommande) pour ouvrir le compartiment CD. Placez un CD avec la face imprimée vers le haut à l'intérieur du plateau, puis fermez le compartiment à CD. La lecture de la première piste commencera.
 - Appuyez sur SAUT -/+ (17/18) (12/13 sur la télécommande) pour sélectionner vos morceaux préférés. Si vous maintenez SAUT -/+ (17/18) (12/13 sur la télécommande), la piste de lecture ira rapidement vers l'arrière ou vers l'avant jusqu'à ce que vous relâchiez le bouton.
 - Appuyez sur LECTURE/PAUSE (15) (9 sur la télécommande) pour interrompre la lecture. Le numéro de piste commencera à clignoter. Appuyez à nouveau sur LECTURE/PAUSE (15) (9 sur la télécommande) pour reprendre la lecture.
 - Appuyez sur ARRÊT (16) (6 sur la télécommande) pour arrêter la lecture.

MODE LECTURE RÉPÉTITION/ALÉATOIRE

Pendant la lecture d'un CD/USB, appuyez à répétition sur la touche (7) de la télécommande pour sélectionner :

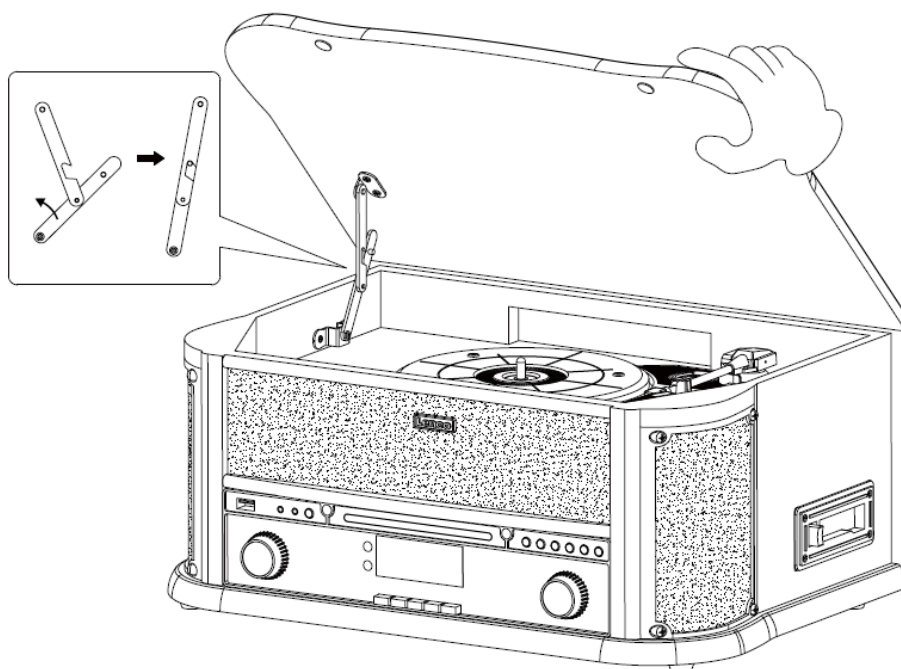
- Repeat1 (Répéter 1) : La piste actuelle est jouée à plusieurs reprises.
- Repeat DIR (Répétez le DIR) : Le dossier actif est lu à plusieurs reprises.
- Repeat All (Tout répéter) : Toutes les pistes sont jouées à plusieurs reprises.
- SHUFFLE (ALÉATOIRE) : sélection aléatoire des pistes du disque.
- INTRO : Pour écouter les 10 premières secondes d'une piste.

PROGRAMMATION DU CD

Vous pouvez programmer jusqu'à 99 pistes pour qu'elles soient lues dans l'ordre de votre choix.

1. Insérez un disque et appuyez sur ARRÊT (16) (6 sur la télécommande) lorsque la lecture commence.
2. Appuyez sur (8) sur la télécommande. L'écran affiche « P01 ».

3. Appuyez sur SAUT -/+ (17/18) (12/13 sur la télécommande) pour sélectionner vos morceaux préférés.
4. Appuyez sur la touche (8) de la télécommande pour enregistrer la piste dans la mémoire de programme. L'écran affiche « P02 ».
5. Répétez les étapes 3 et 4 pour sélectionner et stocker toutes les pistes souhaitées.
6. Appuyez sur LECTURE/PAUSE (15) (9 sur la télécommande) pour lancer la lecture du programme.
7. Appuyez une fois sur ARRÊT (16) (6 sur la télécommande) pour arrêter la lecture du programme. Appuyez deux fois sur ARRÊT (16) (6 sur la télécommande) pour effacer le programme.



Comment ouvrir/fermer le couvercle du tourne-disque

Pour ouvrir :

- Soulevez le couvercle du tourne-disque jusqu'à ce qu'il s'arrête.
- Abaissez lentement le couvercle jusqu'à ce que le loquet s'enclenche. Si le loquet ne s'enclenche pas, tirez manuellement la barre inférieure.
- Le couvercle va maintenant rester ouvert.

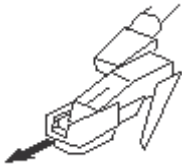
Pour fermer

- Soulevez le couvercle jusqu'à ce qu'il s'arrête.
- Le loquet doit se désengager. Abaissez lentement le couvercle. Si le loquet ne se désengage pas, poussez manuellement la barre inférieure.
- Assurez-vous de tenir soigneusement le couvercle pour éviter de vous pincer les doigts lorsqu'il se ferme.

ÉCOUTE DE DISQUES

TRÈS IMPORTANT ! (Cette opération est uniquement limitée aux grands tourne-disques dotés de cette fonction)

1. Appuyez à répétition sur MODE (4) (5 sur la télécommande) pour sélectionner le mode PHONO.
2. Ouvrez le couvercle du lecteur de disques. Relâchez la pince du bras de lecture et retirez le protecteur du stylet.



Placez un disque sur la platine, au-dessus de la broche centrale. Placez l'adaptateur EP sur la broche centrale lors de la lecture de disques EP de 17 cm.

3. Réglez le SÉLECTEUR DE VITESSE 33/45/78 tr/min (31) sur 33/45/78 tr/min en fonction du disque.
4. Soulevez le bras de lecture à l'aide de son levier de levage. Déplacez le bras de lecture au début du disque ou au début d'une piste particulière. Abaissez délicatement le bras de lecture sur le disque à l'aide de son levier pour commencer la lecture.
5. Lorsque le disque est terminé, le bras de lecture s'arrête automatiquement. Pour arrêter manuellement, soulevez le bras de lecture du disque et reposez-le sur son support.
6. Déplacer ou secouer le tourne-disque sans fixer la pince du bras de lecture est susceptible d'endommager ce dernier. Placez le capuchon de protection sur le stylet lorsqu'il n'est pas en usage.

Installation de la tête de lecture

1. Maintenez le bout de la tête de lecture et insérez-la en pressant dans la direction « B » comme indiqué.
2. Poussez la tête de lecture vers le haut dans la direction « C » jusqu'à ce qu'elle se bloque dans la position de la pointe.



Tiges de guidage (internes)

REMARQUES

Nous vous conseillons de nettoyer vos disques avec un chiffon antistatique pour en profiter au mieux.

Nous tenons également à souligner que pour les mêmes raisons votre tête de lecture doit être changée périodiquement (environ toutes les 250 heures).

AUX-IN

This unit provides an auxiliary audio input jack for connecting external audio device like MP3 players, CD players and allow playback of your external source through the system speakers.

1. Utilisez un câble audio (non fourni) doté d'un connecteur stéréo RCA à l'une de ses extrémités. Branchez une extrémité dans la prise AUX-IN de l'unité principale et l'autre extrémité du câble dans la prise LINE OUT ou HEADPHONE de votre appareil audio externe.
2. Allumez l'appareil ainsi que votre périphérique audio externe. Appuyez à répétition sur le bouton de fonction (4) (5 sur la télécommande) pour sélectionner le mode AUX IN.
3. Démarrez la lecture du périphérique externe (voir le manuel d'utilisation du périphérique externe).

COMMENT FAIRE FONCTIONNER LE BLUETOOTH

1. Appuyez sur le bouton de fonction (4) pour sélectionner la fonction BLUETOOTH. « Bluetooth » s'affiche à l'écran.
2. Sélectionnez sur votre appareil portable (Smartphone, Tablette...) l'ID Bluetooth Lenco TCD-2571WD, puis confirmez l'appairage.
3. Une fois l'appairage réussi, le LCM cesse de clignoter.
4. Vous pouvez désormais transférer la musique sur le Lenco TCD-2571WD et toutes les opérations ne peuvent être effectuées qu'à partir de votre appareil mobile.

Ce produit fonctionne à une fréquence comprise entre 2 400 à 2 483,5 MHz et est destiné uniquement à être utilisé dans un environnement domestique normal. Ce produit convient à cet usage pour tous les pays de l'UE.

ENCODAGE À PARTIR de la radio/de la radio DAB

Branchez le disque USB dans la prise USB. Appuyez sur le bouton de fonction (4) (5 sur la télécommande) pour mettre l'appareil en mode DAB ou FM, utilisez la commande de SYNTONISATION pour régler ou appuyez sur SAUT+/- (17/18) (12/13 sur la télécommande) dans la station à partir de laquelle vous voulez enregistrer l'émission. Appuyez deux fois sur le bouton REC/DEL (19) (3 sur la télécommande) pour démarrer l'enregistrement, et « REC » clignote à l'écran. Appuyez sur le bouton ARRÊT (16) (6 sur la télécommande) pour arrêter l'enregistrement.

ENCODAGE À PARTIR D'UN CD

Branchez le disque USB dans la prise USB. En mode lecture de CD, appuyez deux fois sur le bouton REC/DEL (19) (3 sur la télécommande), et ONE clignote à l'écran, ce qui signifie que vous pouvez sélectionner la chanson en cours de lecture pour l'enregistrer. Au cas où vous voudriez sélectionner tout le CD à enregistrer, appuyez de nouveau sur le bouton Saut en avant, et « ALL (TOUT) » clignote à l'écran. Appuyez de nouveau sur le bouton REC/DEL pour commencer l'enregistrement. Appuyez sur le bouton ARRÊT (16) (6 sur la télécommande) pour arrêter l'enregistrement.

ENCODAGE À PARTIR D'UN CD-MP3

La procédure d'enregistrement à partir d'un CD MP3 est identique à celle décrite ci-dessus, mais au lieu d'un CD audio, si vous souhaitez sélectionner le dossier entier (si le CD comporte plusieurs dossiers) à enregistrer, appuyez sur le bouton Saut en avant, et « REC-FOLDER » clignote à l'écran. Appuyez à nouveau sur le bouton REC/DEL pour démarrer l'enregistrement. Appuyez sur le bouton ARRÊT (16) (6 sur la télécommande) pour arrêter l'enregistrement.

ENCODAGE À PARTIR D'UNE CASSETTE

Branchez le disque USB dans la prise USB. En mode de lecture CASSETTE, appuyez deux fois sur la touche REC/DEL (19) (3 sur la télécommande) pour démarrer l'enregistrement, et « REC » clignote à l'écran. Appuyez sur le bouton ARRÊT (16) (6 sur la télécommande) pour arrêter l'enregistrement.

ENCODAGE À PARTIR DU PHONO

Branchez le disque USB dans la prise USB. En mode de lecture PHONO, déplacez le bras de lecture à l'endroit désiré sur le disque, puis abaissez-le sur le disque et appuyez deux fois sur le bouton REC/DEL (19) (3 sur la télécommande) pour commencer l'enregistrement, et « REC » clignote à l'écran. Appuyez sur le bouton ARRÊT (16) (6 sur la télécommande) pour arrêter l'enregistrement.

ENCODAGE À PARTIR DU BLUETOOTH

Branchez le disque USB dans la prise USB. En mode de lecture BLUETOOTH, appuyez deux fois sur le bouton REC/DEL (19) (3 sur la télécommande) pour commencer l'enregistrement de la musique souhaitée, et « REC » clignotera à l'écran. Appuyez sur le bouton ARRÊT (16) (6 sur la télécommande) pour arrêter l'enregistrement.

ENCODAGE À PARTIR DE L'AUX

Branchez le disque USB dans la prise USB. En mode de lecture AUX, réglez la source de signal externe sur Lecture et appuyez deux fois sur le bouton REC/DEL (19) (3 sur la télécommande) pour commencer l'enregistrement. Appuyez sur le bouton ARRÊT (16) (6 sur la télécommande) pour arrêter l'enregistrement.

LECTURE À PARTIR D'UNE CLÉ USB

1. Insérez la fiche du périphérique USB dans la prise USB.
2. Appuyez plusieurs fois sur le bouton de fonction (4) (5 sur la télécommande) pour sélectionner le mode USB.
3. L'unité commence à lire l'appareil automatiquement après le raccordement.

4. Suivez la même procédure que pour le CD afin d'écouter votre périphérique USB.

SUPPRESSION D'UNE PISTE USB

1. Pendant la lecture, appuyez et maintenez enfoncé le bouton REC/DEL (19) (4 sur la télécommande). « DEL » s'affiche à l'écran.
2. Appuyez plusieurs fois sur SAUT +/- (17/18) (12/13 sur la télécommande) pour sélectionner l'une des options suivantes : UNE/DOSSIER/TOUT.
3. Appuyez à nouveau sur REC/DEL (19) (4 sur la télécommande) pour confirmer.

FONCTIONNEMENT DE L'ÉGALISEUR

En mode lecture, appuyez sur le BOUTON ENTRER/EQ (16 sur la télécommande) pour choisir l'effet sonore parmi FLAT/POP/CLASSIC/ROCK/JAZZ/BASS.

SPÉCIFICATIONS

CA : 100 - 250 v ~ 50 Hz/60 HZ

FM : 87,5 à 108 MHz

Bande DAB : BANDE III

Les spécifications et le design peuvent être modifiés sans préavis.

Garantie

Commaxx B.V. propose un service et une garantie conformément à la législation européenne, ce qui signifie qu'en cas de besoin de réparation (aussi bien pendant et après la période de garantie), vous pouvez contacter le revendeur le plus proche.

Remarque importante : Il n'est pas possible de renvoyer l'appareil pour réparation directement à Commaxx B.V.

Remarque importante : Si l'appareil est ouvert ou modifié de quelque manière que ce soit par un réparateur non agréé, la garantie est annulée.

Cet appareil ne convient pas à une utilisation professionnelle. En cas d'utilisation professionnelle, les obligations de garantie du fabricant sont annulées.

Clause de non-responsabilité

Des mises à jour du micrologiciel ou des composants matériels sont régulièrement effectuées. Ainsi, certaines instructions, spécifications et images de la présente documentation peuvent être légèrement différentes. Tous les éléments décrits dans ce manuel sont donnés uniquement à des fins d'illustration et peuvent ne pas s'appliquer à une situation particulière. Aucun

droit juridique ou légal ne peut être obtenu à partir de la description faite dans ce manuel.



Mise au rebut de l'appareil usagé

Ce symbole indique que le produit électrique concerné ainsi que les piles ne doivent pas être jetés avec les autres déchets ménagers en Europe. Pour assurer le traitement correct des déchets de l'appareil et des piles, il faut les éliminer conformément aux lois locales applicables sur l'élimination des équipements électriques et des piles. En faisant cela, vous contribuez à la conservation des ressources naturelles et à l'amélioration des normes de protection de l'environnement dans le traitement et l'élimination des déchets électriques (Directive sur les déchets d'équipements électriques et électroniques).

DÉCLARATION DE CONFORMITÉ

Par la présente, Commaxx déclare que le type d'équipement radio auquel appartient [Lenco TCD-2571] est conforme à la directive 2014/53/UE. Le texte intégral de la déclaration de conformité UE est disponible à l'adresse Internet suivante :

https://commaxx-certificates.com/doc/tcd-2571_doc.pdf

Type RF	Plage de fréquences (MHz)	Puissance (dBm)
Bluetooth	2 402 - 2 480	< 6
DAB	174 - 240	-
FM	87,5 - 108	-

Service

Pour plus d'informations et en cas de besoin d'assistance, rendez-vous sur www.lenco.com
Commaxx B.V. Wiebachstraat 37, 6466 NG Kerkrade, The Netherlands.

PRECAUCIÓN:

Un uso de los controles, unos ajustes o un rendimiento de los procedimientos distintos a los especificados aquí puede resultar en una exposición peligrosa a la radiación.

PRECAUCIONES PREVIAS AL USO

TENGA ESTAS INSTRUCCIONES EN CUENTA:

1. No cubra ni obstruya las aberturas de ventilación. Si coloca el dispositivo sobre una estantería, deje una separación de 5 cm (2") alrededor de todo el dispositivo.
2. Instálelo en conformidad con el manual del usuario incluido.
3. Mantenga el dispositivo apartado de fuentes de calor como radiadores, calentadores, estufas, velas y otros productos que generen calor o llamas abiertas. El dispositivo solo puede utilizarse en climas moderados. Deben evitarse los entornos muy fríos o cálidos. La temperatura de funcionamiento es de entre 0 °C y 35 °C.
4. Evite utilizar el dispositivo cerca de campos magnéticos intensos.
5. Las descargas electrostáticas pueden perturbar el uso normal de este dispositivo. En tal caso, solo tiene que seguir el manual de instrucciones para restablecer y reiniciar el dispositivo. Durante la transmisión de archivos, por favor manéjelo con cuidado y opérela en un entorno libre de electricidad estática.
6. ¡Advertencia! Nunca introduzca objetos en las aberturas o conductos de ventilación del producto. Alto voltaje fluye a través del producto e insertar un objeto puede provocar una descarga eléctrica o un cortocircuito en sus componentes internos. Por el mismo motivo, no derrame agua ni líquidos sobre el producto.
7. No lo utilice en áreas mojadas o húmedas, como cuartos de baño, cocinas con mucho vapor o cerca de piscinas.
8. No se debe exponer el dispositivo a goteos ni salpicaduras y debe asegurarse de que no haya objetos llenos de líquidos, como jarrones, encima ni cerca del aparato.
9. No utilice este dispositivo si puede haber condensación. Cuando se utilice la unidad en una sala cálida y húmeda, pueden aparecer gotas de agua o condensación dentro de la unidad y esta puede no funcionar correctamente; deje la unidad apagada durante 1 o 2 horas antes de encender la alimentación: la unidad debe estar seca antes de encenderla.
10. Aunque este dispositivo está fabricado con el máximo cuidado y se ha comprobado varias veces antes de salir de fábrica, todavía es posible que se puedan producir problemas, igual que con todos los aparatos eléctricos. Si detecta humo, una acumulación excesiva de calor o cualquier otro fenómeno inesperado, deberá desconectar inmediatamente el enchufe de la toma de corriente.
11. Este dispositivo debe estar conectado a una fuente de alimentación conforme a lo indicado en la etiqueta de especificaciones. Si no está seguro del tipo de fuente de alimentación de su hogar, consulte con su distribuidor o su empresa eléctrica local.
12. Manténgalo alejado de los animales. Algunos animales muerden los cables eléctricos.
13. Utilice un trapo suave y seco para limpiar el dispositivo. No utilice disolventes ni líquidos con base de gasolina.
Puede usar un paño húmedo con detergente diluido para eliminar las manchas persistentes.
14. El proveedor no asume ninguna responsabilidad por daños o datos perdidos como consecuencia de un funcionamiento incorrecto, uso incorrecto, modificación del dispositivo o sustitución de la batería.
15. No interrumpa la conexión mientras se formatea el dispositivo o esté transfiriendo archivos. De lo contrario, los datos podrían quedar dañados o perderse.
16. Si la unidad tiene una función de reproducción USB, se debe conectar directamente el dispositivo de memoria USB a la unidad. No utilice cables de extensión USB ya que pueden crear interferencias que causen una pérdida de datos.
17. La etiqueta de clasificación está marcada en el panel inferior o trasero del dispositivo.
18. Este aparato no está diseñado para su uso por personas (incluyendo niños) con discapacidades físicas, sensoriales o mentales o con falta de experiencia o conocimientos, salvo que estén bajo supervisión o hayan recibido formación sobre el uso correcto del dispositivo por parte de una persona responsable de su seguridad.

19. Este producto está destinado únicamente al uso no profesional y no al uso comercial ni industrial.
20. Compruebe que la unidad está ajustada en una posición estable. Los daños causados por las vibraciones o sacudidas derivadas del uso del producto en una posición inestable o el incumplimiento de otras advertencias o precauciones incluidas en este manual del usuario no estarán cubiertos por la garantía.
21. Nunca retire la carcasa del dispositivo.
22. Nunca coloque el dispositivo sobre otros equipos eléctricos.
23. No permita que los niños accedan a las bolsas de plástico.
24. Utilice solo los accesorios especificados por el fabricante.
25. Solicite todo el trabajo de mantenimiento a personal de servicio cualificado. El dispositivo deberá ser reparado cuando quede dañado de cualquier forma, por ejemplo, si el cable de alimentación o el enchufe están dañados, se ha derramado líquido o han caído objetos sobre él, ha quedado expuesto a la lluvia o a la humedad, no funciona con normalidad, o se ha caído al suelo.
26. La exposición prolongada a sonidos fuertes de reproductores personales de música puede provocar una pérdida temporal o permanente de audición.
27. Si el producto incluye un cable de alimentación o un adaptador de CA:
 - Si hubiera algún problema, desconecte el cable de CA y solicite su mantenimiento al personal cualificado.
 - No pise ni pellizque el adaptador de corriente. Tenga mucho cuidado, en especial cerca de los enchufes y el punto de salida del cable. No coloque objetos pesados sobre el adaptador de corriente, ya que podría dañarlo. ¡Mantenga todo el dispositivo fuera del alcance de los niños! Si juegan con el cable de alimentación, pueden sufrir lesiones graves.
 - Desenchufe el dispositivo durante tormentas eléctricas o si no se utiliza durante largos periodos.
 - La toma debe estar instalada cerca del equipo y ser fácilmente accesible.
 - No sobrecargue las tomas de CA ni los cables de extensión. Una sobrecarga podría provocar un incendio o una descarga eléctrica.
 - Los dispositivos con una construcción de clase 1 deben estar conectados a una toma eléctrica con conexión a tierra protectora.
 - Los dispositivos con una construcción de clase 2 no requieren una conexión a tierra.
 - Sujete siempre el enchufe cuando lo extraiga de la toma de corriente. No estire del cable eléctrico. Podría provocar un cortocircuito.
 - No utilice cables de alimentación o enchufes deteriorados o tomas sueltas. Podría provocar un incendio o descarga eléctrica.
28. Si el producto contiene o se entrega con un mando a distancia que contiene pilas de botón:
Advertencia:
 - «No ingiera la pila, existe riesgo de quemaduras químicas» o equivalente.
 - [Mando a distancia incluido] Este producto contiene una pila de botón. En caso de ingesta de la pila, puede provocar quemaduras internas graves en menos de 2 horas que pueden provocar la muerte.
 - Mantenga las pilas nuevas y usadas fuera del alcance de los niños.
 - Si el compartimento de las pilas no cierra bien, deje de usar el producto y manténgalo fuera del alcance de los niños.
 - Si cree que puede haber ingerido una pila, solicite inmediatamente atención médica.
29. Precauciones sobre el uso de las pilas:
 - Existe peligro de explosión si se sustituye la pila por una de tipo incorrecto. Sustitúyalas únicamente por pilas del mismo tipo o equivalentes.
 - No se puede someter las pilas a temperaturas muy altas o bajas, ni a presiones de aire bajas a altitudes altas durante el uso, almacenamiento o transporte.
 - La sustitución de una pila por una de tipo incorrecto puede resultar en una explosión o fuga del líquido o gas inflamable.
 - Arrojar una pila al fuego o a un horno caliente, o aplastarla o cortarla con medios mecánicos, puede resultar en una explosión.

- Dejar una pila en un entorno con temperaturas muy altas puede resultar en una explosión o fuga del líquido o gas inflamable.
- Someter una pila a presiones de aire muy bajas puede resultar en una explosión o la fuga del líquido o gas inflamable.
- Se debe prestar atención a los aspectos medioambientales sobre la eliminación de baterías.

INSTALACIÓN

- Desempaquete todas las piezas y retire el material protector.
- No conecte la unidad a la corriente sin comprobar la tensión eléctrica y que se han hecho todas las demás conexiones.

Advertencia

Producto láser de clase 1

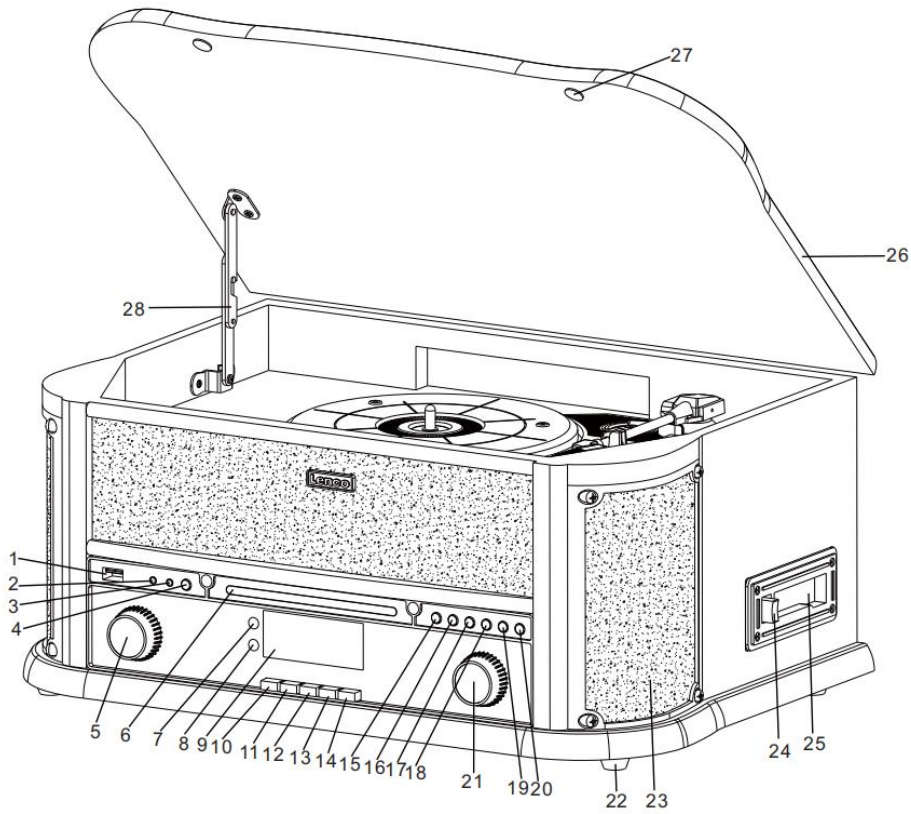
PRODUCTO LÁSER DE CLASE 1
APPAREIL À LASER DE CLASSE 1
PRODUCTO LASER DE CLASE 1

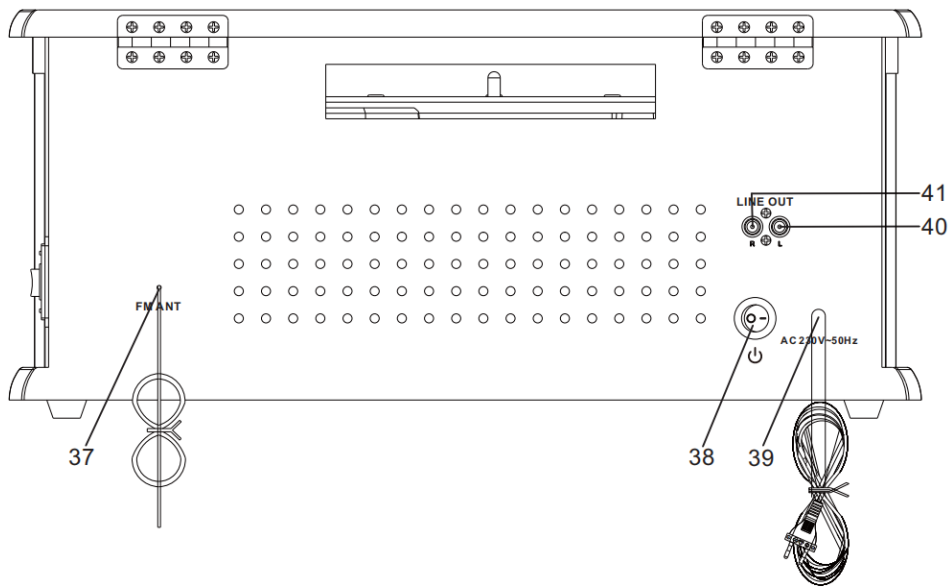
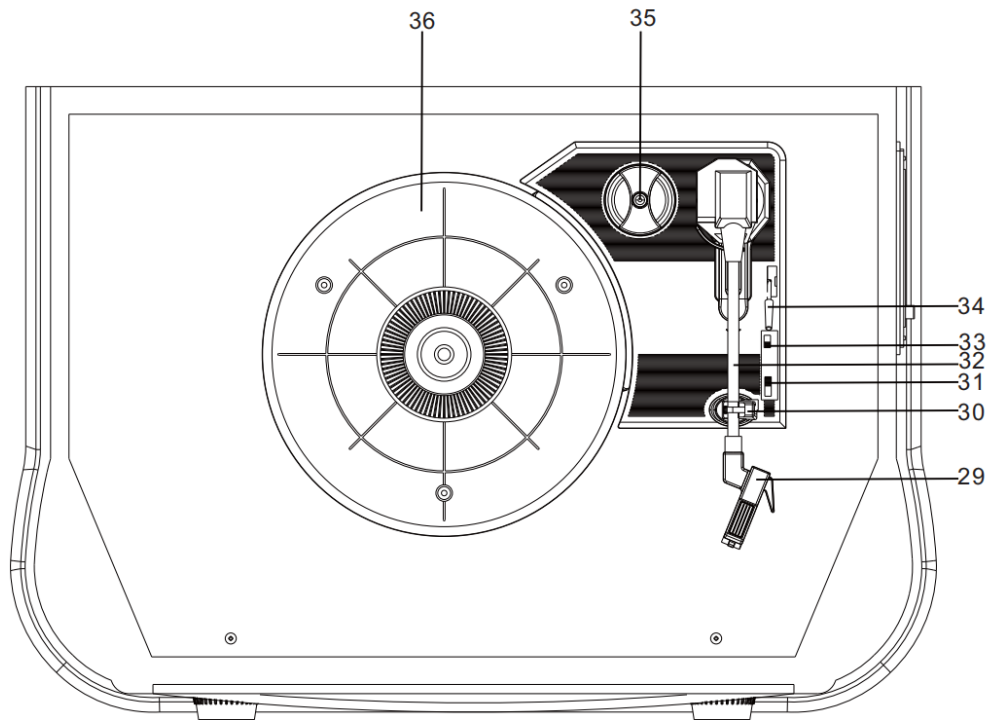
PRECAUCIÓN
RADIACIÓN LÁSER NVISIBLE AL
ESTAR ABIERTO Y CON LOS
INTERBLOQUEOS ANULADOS.
EVITE LA EXPOSICIÓN AL RAYO

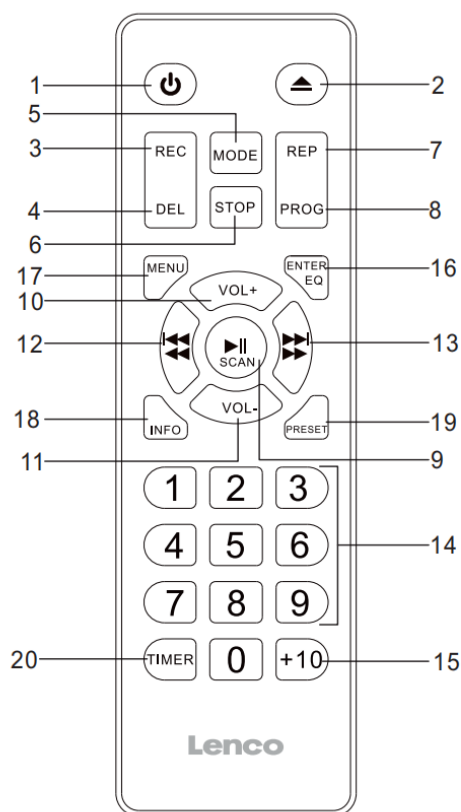


Este producto contiene un dispositivo láser de baja potencia.

Advertencia: No toque la lente.







Su nueva unidad se ha fabricado y ensamblado bajo un estricto control de calidad estándar. Gracias por adquirir nuestro producto para disfrutar de su música. Antes de utilizarlo, lea este manual de instrucciones con detenimiento. Además, manténgalo a mano para consultarlo en el futuro.

UBICACIÓN DE LOS CONTROLES

1. TOMA USB
2. ENTRADA AUXILIAR DE 3,5 MM
3. ENTRADA DE AURICULARES DE 3,5 MM
4. BOTÓN DE FUNCIÓN (DAB/FM/BLUETOOTH/CD/USB/PHONO/CINTA/AUX)
5. RUEDA DE VOLUMEN/ENCENDIDO/SUSPENSIÓN
6. PUERTA DEL CD
7. SENSOR REMOTO
8. LED DE ENCENDIDO
9. PANTALLA LCM
10. BOTÓN MENU
11. BOTÓN INFO
12. BOTÓN SCAN
13. Botón PRESET

14. BOTÓN ENTER/EQ
15. BOTÓN DE REPRODUCCIÓN/PAUSA
16. BOTÓN STOP
17. BOTÓN DN/F-R
18. BOTÓN UP/F-F
19. BOTÓN REC/DEL (BOTÓN DE GRABACIÓN/BORRADO)
20. BOTÓN DE APERTURA/CIERRE DE LA PUERTA DEL CD
21. RUEDA DE SINTONIZACIÓN / MODO DE REPRODUCCIÓN
22. ALMOHADILLA DE PLÁSTICO PARA LAS PATAS
23. ALTAVOCES
24. BOTÓN DE PARADA / EXPULSIÓN DE LA CINTA
25. MECANISMO DEL CASSETTE
26. TAPA ANTIPOLVO
27. ALMOHADILLA DE LA TAPA ANTIPOLVO
28. BISAGRA
29. CARTUCHO
30. SOPORTE DE RECOGIDA
31. SELECTOR DE VELOCIDAD DE 33/45/78 RPM
32. BRAZO DE LECTURA
33. Parada automática ENCENDIDA/APAGADA
34. INTERRUPTOR DE PAUSA DEL TOCADISCOS
35. ADAPTADOR
36. TOCADISCOS
37. ANTENA DE FM/DAB
38. INTERRUPTOR DE ENCENDIDO/APAGADO
39. CABLE DE ALIMENTACIÓN DE CA
- 40/41. TOMA DE LINE OUT (R+L)

MANDO A DISTANCIA

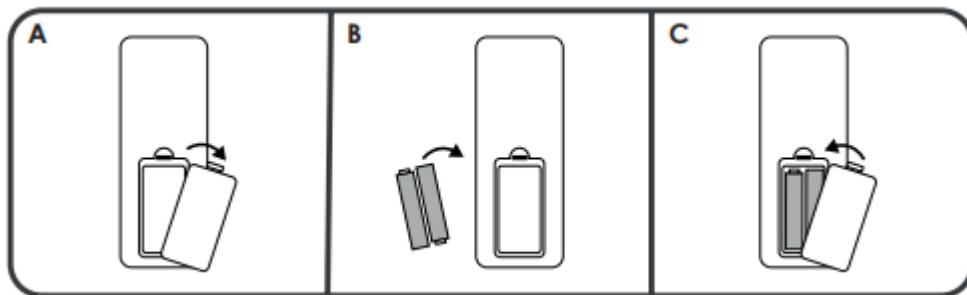
1. ENCENDIDO Y APAGADO
2. APERTURA/CIERRE DE LA PUERTA DEL CD
3. REC: en los modos CD/AUX IN/DAB/PHONO/CASSETTE/BT, púlselo para activar la función de grabación.
4. BOTÓN DEL
5. BOTÓN MODE para seleccionar la fuente CD/USB/BT/DAB/FM/CINTA/PHONO/AUX IN.
6. BOTÓN STOP
7. BOTÓN REP para seleccionar la repetición de la reproducción (CD/USB).
8. BOTÓN PROG: en los modos CD/USB, púlselo para activar la función de programado.
9. BOTÓN DE REPRODUCCIÓN/PAUSA/SCAN: en los modos CD/USB, púlselo una vez para iniciar la reproducción, vuelva a pulsarlo para pausarla. Realiza una búsqueda completa en los modos DAB o FM.
10. BOTÓN DE VOLUMEN +
11. BOTÓN VOLUMEN -
12. BOTÓN DE OMITIR - / REBOBINAR
13. BOTÓN DE OMITIR + / AVANCE RÁPIDO

14. TECLADO NUMÉRICO 0-9
15. Botón de pista 10+ para seleccionar números de 2 dígitos.
16. BOTÓN ENTER/EQ
17. BOTÓN MENU
18. BOTÓN INFO para mostrar información en los modos DAB/FM/CD.
19. BOTÓN PRESET para abrir la lista de favoritos y recuperar una emisora.
20. BOTÓN TIMER: temporizador de apagado automático.

Pilas para el mando a distancia

El mando a distancia por infrarrojos necesita 2 pilas AAA (no incluidas)

- A) Quite la tapa del compartimento de las pilas.
- B) Coloque 2 pilas AAA siguiendo las marcas del interior del compartimento.
- C) Cierre el compartimento.



ALIMENTACIÓN ELÉCTRICA

Esta unidad funciona con una alimentación principal de 100-250 V~ 50/60 Hz. Conecte el cable de alimentación de CA a la toma de corriente doméstica de CA. Asegúrese de que la tensión coincide con la indicada en la placa de características de la parte trasera de la unidad.

Conecte la unidad a la alimentación eléctrica. Ponga el interruptor de ENCENDIDO/APAGADO (38) en la posición de encendido para encender la unidad. Ponga el interruptor de ENCENDIDO/APAGADO (38) en la posición de apagado para apagar la unidad.

Esta unidad tiene dos modos de funcionamiento:

MODO DE SUSPENSIÓN: La pantalla muestra la hora actual y los altavoces y la luz de fondo están apagados.

MODO DE REPRODUCCIÓN: La luz de fondo azul está encendida y puede escuchar música.

Cuando no se produce sonido, la unidad pasará al MODO DE SUSPENSIÓN automáticamente después de 15 minutos.

Para cambiar entre el MODO DE REPRODUCCIÓN y el MODO DE SUSPENSIÓN, pulse la rueda de volumen/encendido una vez para encenderlo, vuelva a pulsar la rueda de volumen/encendido para apagarlo.

AJUSTES DE APAGADO AUTOMÁTICO

1. Esta función le permite ir a dormir mientras escucha la radio.
2. Mientras escucha música, mantenga pulsado el botón TIMER (20 en el mando) y vuelva a pulsarlo para seleccionar entre APAGADO/15/30/45/60/90.

La radio se apagará automáticamente después del tiempo seleccionado.

AJUSTES DEL SISTEMA

En todos los modos, pulse el botón MENÚ (10) (17 en el mando) y seleccione SYSTEM (SISTEMA):

- Alarm (Alarma): seleccione esta opción para establecer la alarma.
- Time (Hora): seleccione esta opción para ajustar la fecha y la hora.
- Backlight (Luz de fondo): seleccione esta opción para cambiar el tiempo de espera/nivel de encendido/iluminación de la pantalla.
- Language (Idioma): seleccione esta opción para cambiar el idioma del sistema.
- Factory Reset (Reinicio de fábrica): seleccione esta opción para reiniciar el aparato a los ajustes de fábrica.
- Software Upgrade (Actualización del software): seleccione esta opción si se ha lanzado una nueva versión del software.
- SW version (Versión del software): seleccione esta opción para ver la versión del software actual.

AJUSTES DE LA HORA

1. Pulse el botón MENU (10) (17 en el mando) y seleccione SYSTEM (SISTEMA) para acceder a la opción Time (Hora).
2. Set time/Date (ajustar hora/fecha) Pulse los botones SKIP +/- (17/18) (12/13 en el mando) varias veces para seleccionar los dígitos 12/24 para la hora. Pulse el botón ENTER/EQ (14) (16 en el mando) para confirmar.
3. Los dígitos de la hora empezarán a parpadear en la pantalla. Pulse los botones SKIP +/- (17/18) (12/13 en el mando) varias veces para establecer la hora correcta. Pulse el botón ENTER/EQ (14) (16 en el mando) para confirmar.
4. Los dígitos de los minutos empezarán a parpadear en la pantalla. Pulse los botones SKIP +/- (17/18) (12/13 en el mando) varias veces para establecer los minutos correctos. Pulse el botón ENTER/EQ (14) (16 en el mando) para confirmar.
5. Los dígitos del día empezarán a parpadear en la pantalla. Pulse los botones SKIP +/- (17/18) (12/13 en el mando) varias veces para establecer el año correcto. Pulse el botón ENTER/EQ (14) (16 en el mando) para confirmar.
6. Los dígitos del mes empezarán a parpadear en la pantalla. Pulse los botones SKIP +/- (17/18) (12/13 en el mando) varias veces para establecer el mes correcto. Pulse el botón ENTER/EQ (14) (16 en el mando) para confirmar.
7. Los dígitos del año empezarán a parpadear en la pantalla. Pulse los botones SKIP +/- (17/18) (12/13 en el mando) varias veces para establecer el día correcto. Pulse el botón ENTER/EQ (14) (16 en el mando) para confirmar.

AJUSTE DE LA ALARMA

1. Pulse el botón MENU (10) (17 en el mando) y seleccione SYSTEM (SISTEMA) para acceder a la opción Alarm (Alarma) o simplemente pulse el botón TIMER (20 en el mando) varias veces para seleccionar Alarm (Alarma) 1 o 2.

2. Luego pulse el botón ENTER/EQ (14) (16 en el mando) para comenzar a ajustar la alarma. Puede pulsar los botones SKIP (12 o 13 en el mando) y ENTER/EQ para ajustar el tiempo de encendido, la duración, la fuente, la frecuencia y el volumen de la alarma, etc.
3. Cuando haya terminado los ajustes, se mostrará «Alarm Saved (Alarma guardada)» y el icono de alarma 1 o 2 en la pantalla.
4. Si se desactiva la alarma, desaparecerá el icono.

Modo DAB

Pulse el botón de función (4) (5 en el mando) varias veces para seleccionar el modo DAB.

Pulse los botones SKIP +/- (17/18) (12/13 en el mando) para buscar el programa.

MENÚ DAB

Pulse el botón MENU (10) (17 en el mando) para acceder a las opciones.

- Full Scan (Búsqueda completa): seleccione esta opción para realizar una búsqueda completa de los programas DAB disponibles. Puede pulsar el botón SCAN (12) para realizar la misma acción.
- Manual Tune (Sintonización manual): seleccione esta opción para elegir la frecuencia DAB de forma manual.
- DRC: seleccione esta opción para elegir entre DRC bajo, alto y apagado.
- Prune (Borrado): elimina las emisoras no disponibles de la lista de emisoras.

PRESINTONÍAS DAB

Puede programar un máximo de 20 emisoras de radio presintonizadas.

- Mantenga pulsado el botón PRESET (13) (19 en el mando). PRESET STORE (ALMACENAR PRESINTONÍA) aparecerá en la pantalla. Pulse los botones SKIP +/- (17/18) (12/13 en el mando) para seleccionar el número de presintonía. Pulse el botón ENTER (14) (16 en el mando) para confirmar.
- Pulse el botón PRESET (13) (19 en el mando) para navegar entre las presintonías.

INFORMACIÓN DE DAB

Pulse el botón INFO (11) (18 en el mando) varias veces para ver la siguiente información NAME / KBPS / DATE / TIME (NOMBRE/KBPS/FECHA/HORA).

INFORMACIÓN IMPORTANTE SOBRE LA RECEPCIÓN DAB+

La recepción de la radio DAB+ es diferente a la FM.

- En FM, a menudo se puede seguir recibiendo una emisora débil, pero probablemente con un sonido de crujido o crepitación.
- La recepción DAB + funciona de forma digital y, si no hay suficiente señal, no se escucha nada. No hay silbidos ni crujidos como con la FM. Esto no es problema de la radio, sino de la falta de señal DAB+ en ese lugar.
- La regla de DAB+ es que, si no hay señal, o si es débil, no hay sonido.

Qué se puede hacer si no se tiene recepción DAB+ directa.

- En primer lugar, apunte siempre la antena en vertical.
- No coloque la radio demasiado cerca de posibles fuentes de interferencias, como cargadores de baterías, maquinaria rotativa, ordenadores, grandes superficies de metal, etc.
- Mueva la radio unos metros.
- Encienda la radio y realice una búsqueda completa en el menú DAB+.
- En la pantalla de la radio, se mostrará el progreso de la búsqueda y el número de emisoras encontradas en la posición actual de la radio.

Importante

- Con la recepción DAB+, puede haber una gran diferencia entre los niveles de recepción en un lugar y a pocos metros de él. En el caso de recibir una señal DAB+ débil, mueva la radio para encontrar una señal más fuerte.
- Si lleva la radio a otro lugar, vuelva a realizar una búsqueda completa. Esto mostrará que emisoras DAB+ se pueden recibir allí.

Modo FM

Pulse el botón de función (4) (5 en el mando) varias veces para seleccionar el modo FM.

Gire la rueda de SINTONIZACIÓN (21) para seleccionar la frecuencia de forma manual.

MENÚ FM

Pulse el botón MENU (10) (17 en el mando) para acceder a las opciones.

- Scan Setting (Ajustes de búsqueda): seleccione esta opción para elegir entre buscar todas las emisoras o solo las que tienen una señal fuerte.
- Audio Setting (Ajustes de audio): seleccione esta opción para elegir entre forzar el audio en mono y permitir el audio en estéreo.

PRESINTONÍAS FM

Vea las instrucciones de PRESINTONÍAS DAB.

INFORMACIÓN DE FM

Pulse el botón INFO (11) (18 en el mando) varias veces para ver la siguiente información:

KIND OF PROGRAM/FREQUENCY/AUDIO/DATE/TIME

(TIPO DE PROGRAMA/FRECUENCIA/AUDIO/FECHA/HORA).

ESCUCHAR LA RADIO

1. Pulse el botón de función (4) (5 en el mando) varias veces para seleccionar el modo CINTA.
2. Introduzca una cinta de cassette en la unidad. El sistema iniciará la reproducción automáticamente después de introducir la cinta.
3. Pulse el botón FFD/EJ (24) hacia la mitad durante el modo de reproducción. La cinta avanzará rápido.

Vuelva a pulsar el botón FFD/EJ (24) ligeramente para reanudar la reproducción.

4. Pulse el botón FFD/EJ (24) por completo y se expulsará la cinta a través del MECANISMO DEL CASSETTE (25).

REPRODUCCIÓN DE UN DISCO COMPACTO

1. Pulse el botón de función (4) (5 en el mando) varias veces para seleccionar el modo CD.
2. Pulse el botón de apertura/cierre de la puerta del CD (20) (2 en el mando) para abrir la puerta del CD. Coloque un CD con la cara impresa hacia arriba en la bandeja, luego cierre la puerta. Se comenzará a reproducir la primera pista.
 - Pulse los botones SKIP -/+ (17/18) (12/13 en el mando) para seleccionar sus canciones favoritas. Si mantiene pulsados los botones SKIP -/+ (17/18) (12/13 en el mando), la pista que se está reproduciendo re bobinará o avanzará rápido hasta que suelte el botón.
 - Pulse el botón de reproducción/pausa (15) (9 en el mando) para pausar la reproducción. El número de la pista empezará a parpadear. Vuelva a pulsar el botón de reproducción/pausa (15) (9 en el mando) para reanudar la reproducción.
 - Pulse el botón STOP (16) (6 en el mando) para detener la reproducción.

MODO DE REPETICIÓN / REPRODUCCIÓN ALEATORIA

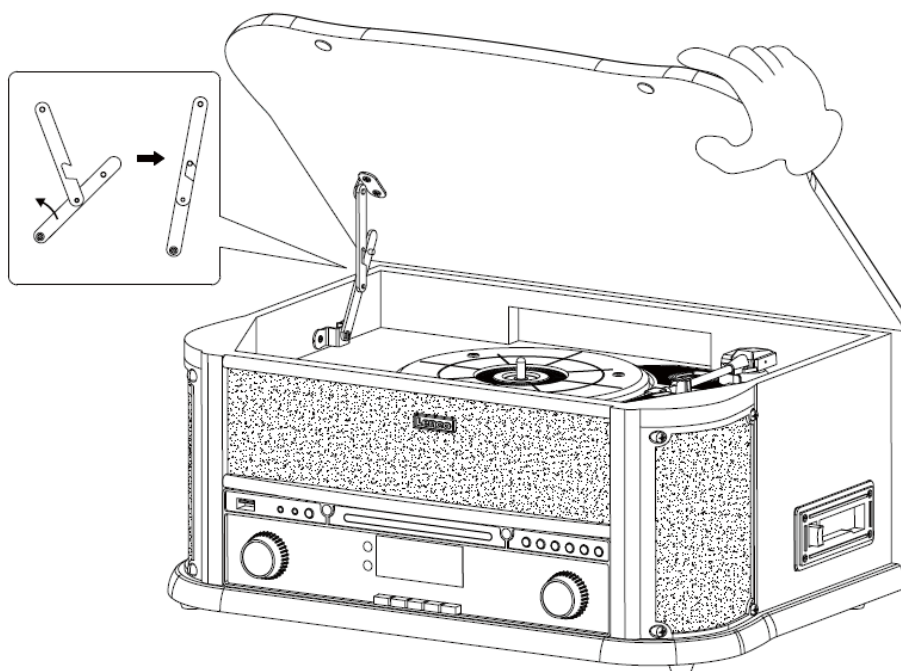
Durante la reproducción por CD/USB, pulse (7) varias veces en el mando para seleccionar:

- Repeat 1 (Repetir 1): La pista actual se reproduce de forma repetida.
- Repeat DIR (Repetir directorio): La carpeta actual se reproduce de forma repetida.
- Repeat All (Repetir todas): Todas las pistas se reproducen de forma repetida.
- SHUFFLE (ALEATORIO): una selección aleatoria de las pistas del disco.
- INTRO (INTRODUCCIÓN): para oír los primeros 10 segundos de una pista.

PROGRAMACIÓN DEL CD

Puede programar hasta 99 pistas para reproducirlas en el orden deseado.

1. Inserte un disco y pulse el botón STOP (16) (6 en el mando) cuando se comience a reproducir.
2. Pulse (8) en el mando. Se mostrará «P01» en la pantalla.
3. Pulse los botones SKIP -/+ (17/18) (12/13 en el mando) para seleccionar sus canciones favoritas.
4. Pulse (8) en el mando para almacenar la pista en la memoria del programa. Se mostrará «P02» en la pantalla.
5. Repita los pasos 3-4 para seleccionar y almacenar todas las pistas deseadas.
6. Pulse el botón de reproducción/pausa (15) (9 en el mando) para iniciar la reproducción del programa.
7. Pulse el botón STOP (16) (6 en el mando) una vez para detener la reproducción del programa. Pulse el botón STOP (16) (6 en el mando) dos veces para borrar el programa.



Cómo abrir/cerrar la tapa del tocadiscos

Para abrirla:

- Levante la tapa del tocadiscos hasta el tope.
- Bájela lentamente hasta que encaje el pestillo. Si no encaja, tire de la barra inferior con la mano.
- Así, la tapa se mantendrá abierta.

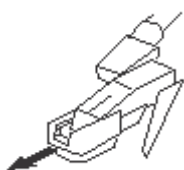
Para cerrarla:

- Levante la tapa hasta el tope.
- El pestillo debería desencajarse. Baje lentamente la tapa. Si no se desencaja el pestillo, saque la barra inferior con la mano.
- Asegúrese de que sostiene la tapa con cuidado para evitar pellizcarse los dedos cuando se cierre.

ESCUCHAR DISCOS DE VINILO

¡MUY IMPORTANTE! (Esta función solo está disponible en el tocadiscos grande)

1. Pulse el botón MODE (4) (5 en el mando) varias veces para seleccionar el modo PHONO.
2. Abra la tapa del reproductor de discos. Suelte la pinza del brazo de lectura y retire el protector de la aguja.



Coloque un disco en el tocadiscos, sobre el husillo central. Coloque el adaptador de EP sobre el husillo central cuando se reproduzcan discos EP de 17 cm.

3. Ajuste la velocidad a 33/45/78 RPM en el SELECTOR DE VELOCIDAD (31) en función del disco.
4. Levante el brazo de lectura con la palanca elevadora. Mueva el brazo al inicio del disco o de una pista en particular. Baje el brazo con cuidado hasta el disco con la palanca para comenzar la reproducción.
5. Cuando el disco termine, el brazo fonocaptor se detendrá automáticamente. Para detenerlo manualmente, levante el brazo del disco y colóquelo de nuevo en su soporte.
6. Si mueve o sacude el tocadiscos sin asegurar la pinza del mismo, podría dañarlo. Coloque el protector en la aguja cuando no la utilice.

Instalación de la aguja

1. Sujete la punta de la aguja e insértela presionando como se muestra en la dirección «B».
2. Empuje la aguja hacia arriba en la dirección «C» hasta que quede fijo en la posición de la punta.



Pasadores guía (interior)

NOTAS

Aconsejamos que limpie los discos con un paño antiestático para poder disfrutar al máximo de ellos.

Por la misma razón, conviene sustituir periódicamente la aguja (aproximadamente cada 250 horas de reproducción).

ENTRADA AUXILIAR

Esta unidad proporciona un conector de entrada de audio auxiliar para conectar dispositivos de audio externos, como reproductores MP3 y de CD, y permitir la reproducción de su fuente externa a través de los altavoces del sistema.

1. Use un cable de audio (no incluido) con un conector estéreo RCA en un extremo. Enchufe un extremo en el conector de entrada AUX de la unidad principal y el otro extremo en el conector de LINE OUT o la entrada de auriculares del dispositivo de audio externo.
2. Encienda la unidad y el dispositivo de audio externo. Pulse el botón de función (4) (5 en el mando) varias veces para seleccionar el modo de entrada auxiliar.
3. Comience a reproducir el dispositivo externo (véase el manual de usuario del dispositivo externo).

FUNCIONAMIENTO DEL BLUETOOTH

1. Pulse el botón de función (4) para seleccionar el modo BLUETOOTH. Se mostrará «Bluetooth» en la pantalla.
2. Seleccione en su dispositivo portátil (smartphone, tablet...) el ID Bluetooth llamado Lenco TCD-2571WD y confirme la selección.
3. Al emparejarse, la pantalla LCM dejará de parpadear.
4. Ahora puede transferir la música al Lenco TCD-2571WD y todas las acciones se realizarán desde el dispositivo móvil.

Este producto funciona a 2400 - 2483,5 MHz y está diseñado para ser utilizado únicamente dentro de un entorno doméstico normal. Este producto es adecuado para este propósito en todos los países europeos.

CODIFICACIÓN DESDE RADIO FM/DAB

Enchufe la memoria USB en la toma USB. Pulse el botón de función (4) (5 en el mando) para cambiar el dispositivo al modo DAB o FM, usando la rueda de SINTONIZACIÓN o pulse los botones SKIP +/- (17/18) (12/13 en el mando) en la emisora desde la que quiere grabar la emisión. Pulse el botón REC/DEL (19) (3 en el mando) dos veces para empezar a grabar y «REC (GRABAR)» parpadeará en la pantalla. Pulse el botón STOP (16) (6 en el mando) para detener la grabación.

CODIFICACIÓN DESDE CD

Enchufe la memoria USB en la toma USB. Durante la reproducción en el modo CD, pulse el botón REC/DEL (19) (3 en el mando) dos veces. «ONE (UNO)» parpadeará en la pantalla, lo que significa que se puede seleccionar la canción que se está reproduciendo para grabarla; si desea grabar el CD entero, vuelva a pulsar el botón SKIP + y «ALL (TODO)» parpadeará en la pantalla, vuelva a pulsar el botón REC/DEL para empezar a grabar. Pulse el botón STOP (16) (6 en el mando) para detener la grabación.

CODIFICACIÓN DESDE CD MP3

El procedimiento para grabar desde CD MP3 es el mismo que el anterior, solo que en lugar de CD de audio, si desea seleccionar toda la carpeta de archivos (si el CD tiene varias carpetas) para grabar, pulse el botón SKIP + y «REC-FOLDER (GRABAR CARPETA)» parpadeará en la pantalla, vuelva a pulsar el botón REC/DEL para empezar a grabar. Pulse el botón STOP (16) (6 en el mando) para detener la grabación.

CODIFICACIÓN DESDE CASSETTE

Enchufe la memoria USB en la toma USB. Durante la reproducción en el modo CINTA, pulse el botón REC/DEL (19) (3 en el mando) dos veces para empezar a grabar y «REC (GRABAR)» parpadeará en la pantalla. Pulse el botón STOP (16) (6 en el mando) para detener la grabación.

CODIFICACIÓN DESDE PHONO

Enchufe la memoria USB en la toma USB. Durante la reproducción en el modo PHONO, mueva el brazo de lectura sobre el lugar deseado del disco y bájelo, pulse el botón REC/DEL (19) (3 en el mando) dos veces para empezar a grabar y «REC (GRABAR)» parpadeará en la pantalla. Pulse el botón STOP (16) (6 en el mando) para detener la grabación.

CODIFICACIÓN DESDE BLUETOOTH

Enchufe la memoria USB en la toma USB. Durante la reproducción en el modo BLUETOOTH, pulse el botón REC/DEL (19) (3 en el mando) dos veces para empezar a grabar la música deseada y «REC (GRABAR)» parpadeará en la pantalla. Pulse el botón STOP (16) (6 en el mando) para detener la grabación.

CODIFICACIÓN DESDE AUX

Enchufe la memoria USB en la toma USB. Durante la reproducción en el modo AUX, cambie a la fuente de señal externa para la reproducción y pulse el botón REC/DEL (19) (3 en el mando) dos veces para empezar a grabar, «REC (GRABAR)» parpadeará en la pantalla. Pulse el botón STOP (16) (6 en el mando) para detener la grabación.

REPRODUCCIÓN DESDE USB

1. Inserte el dispositivo USB en la toma USB.
2. Pulse el botón de función (4) (5 en el mando) varias veces para seleccionar el modo USB.
3. La unidad empezará a leer el dispositivo automáticamente tras la conexión.
4. Use el mismo procedimiento que con el CD para escuchar su dispositivo USB.

ELIMINAR USB

1. Durante la reproducción, mantenga pulsado el botón REC/DEL (19) (4 en el mando). Se mostrará «DEL (ELIMINAR)» en la pantalla.
2. Pulse los botones SKIP +/- (17/18) (12/13 en el mando) varias veces para seleccionar entre ONE (UNO)/FOLDER (CARPETA)/ALL (TODO).
3. Vuelva a pulsar el botón REC/DEL (19) (4 en el mando) para confirmar.

FUNCIONAMIENTO DEL ECUALIZADOR

Durante la reproducción, pulse el botón ENTER/EQ BUTTON (16 en el mando) para elegir entre los diferentes efectos de sonido: FLAT (PLANO)/POP/CLASSIC (CLÁSICA)/ROCK/JAZZ/BASS (BAJO).

ESPECIFICACIONES

CA: 100-250 V ~ 50/60 Hz

FM: 87,5 - 108 MHz

Banda DAB: BANDA III

El diseño y las especificaciones están sujetas a cambios sin previo aviso.

Garantía

Commaxx B.V. ofrece servicio y garantía en conformidad con las leyes europeas, por lo que en caso de requerir una reparación (tanto durante como después del periodo de garantía) debe ponerse en contacto con su distribuidor local.

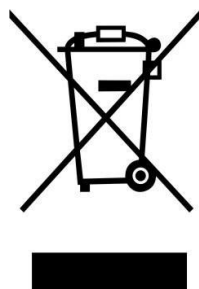
Nota importante: No es posible enviar directamente a Commaxx B.V. los productos que necesiten reparación.

Nota importante: Si se abre la unidad o se accede a su interior en modo alguno en un centro de mantenimiento no oficial, la garantía quedará anulada.

El dispositivo no es adecuado para un uso profesional. En caso de realizar un uso profesional, todas las obligaciones de garantía del fabricante quedarán anuladas.

Aviso legal

Se realizan actualizaciones del firmware y/o componentes de hardware de manera periódica. Por tanto, algunas instrucciones, especificaciones e imágenes de estos documentos podrían diferir ligeramente de su modelo concreto. Todos los elementos descritos en esta guía son únicamente para fines ilustrativos y pueden no corresponderse a su modelo concreto. Las descripciones de este manual no otorgarán ningún derecho legal.



Eliminación de un dispositivo usado

Este símbolo indica que el producto eléctrico o batería pertinente no debe eliminarse con los residuos domésticos generales en Europa. Para garantizar un tratamiento correcto de los residuos del producto y las pilas, elimínelos en conformidad con las leyes locales vigentes para la eliminación de equipos eléctricos y pilas. Al hacerlo, ayudará a preservar los recursos naturales y mejorar los niveles de protección del medio ambiente en el tratamiento y eliminación de residuos eléctricos (Directiva sobre residuos de aparatos eléctricos y electrónicos).

DECLARACIÓN DE CONFORMIDAD

Por el presente, Commaxx declara que el equipo de radio tipo [Lenco TCD-2571] cumple con la directiva 2014/53/UE. El texto completo de la declaración UE de conformidad está disponible en la siguiente dirección de Internet:

https://commaxx-certificates.com/doc/tcd-2571_doc.pdf

Tipo de radiofrecuencia	Rango de frecuencia (MHz)	Potencia (dBm)
Bluetooth	2402-2480	<6
DAB	174-240	-
FM	87,5-108	-

Servicio

Para más información y atención al cliente, visite www.lenco.com

Commaxx B.V. Wiebachstraat 37, 6466 NG Kerkrade, The Netherlands.

FORSIGTIG:

Hvis enheden ikke anvendes, justeres og behandles i overensstemmelse med brugervejledningen, kan det resultere i farlig stråling.

FORHOLDSREGLER FØR IBRUGTAGNING**HUSK DISSE ANVISNINGER:**

1. Tildæk eller blokér ikke ventilationsåbningerne. Hvis enheden placeres på en hylde, skal der altid være 5 cm (2") frirum på alle sider af enheden.
2. Installér enheden iht. anvisningerne i den medfølgende brugervejledning.
3. Hold enheden på afstand af varmekilder som fx radiatorer, varmeapparater, ovne, stearinlys og andre varmegenererende produkter samt åben ild. Enheden er udelukkende til brug i tempererede klimazoner. Undgå stærk varme og kulde. Driftstemperatur mellem 0° og 35°C.
4. Undlad at anvende enheden nær stærke magnetfelter.
5. Elektrostatisk udladning kan forstyrre denne enheds normale drift. Sker det, skal du blot nulstille og genstarte enheden i henhold til anvisningerne i brugervejledningen. Under filoverførsel skal du handle med omhu og betjene enheden i et område fri for statisk elektricitet.
6. Advarsel! Stik aldrig genstande ind i enheden gennem ventilationsåbninger eller sprækker. Produktet indeholder strømførende dele, og hvis du stikker en genstand ind i enheden, kan det medføre elektrisk stød og/eller kortslutning af de indre dele. Af samme grund må du ikke spilde vand eller væske på produktet.
7. Benyt ikke enheden på våde eller fugtige steder som fx på et badeværelse, i et dampfyldt køkken eller nær en swimmingpool.
8. Enheden må ikke udsættes for dryp eller stænk. Der må ikke anbringes genstande fyldt med væske, som fx vaser, på eller i nærheden af apparatet.
9. Brug ikke enheden på steder, hvor der kan opstå kondens. Hvis enheden placeres i et varmt og fugtigt rum, kan der danne sig vanddråber eller kondens inde i den, og den kan muligvis ikke fungere korrekt. Lad enheden stå slukket i 1 - 2 timer, inden du tænder den. Enheden skal være tør, når der tændes for strømmen.
10. Trods det, at enheden er fremstillet med yderste omhu og kontrolleret flere gange før afsendelse fra fabrikken, kan det stadig forekomme, som med alle elektriske apparater, at der opstår problemer. Hvis du oplever røg eller overdreven varmeudvikling eller andre uventede fænomener, bør du omgående tage stikket ud af stikkontakten.
11. Denne enhed skal drives af en strømkilde som den, der er angivet på mærkepladen. Hvis du ikke er sikker på, hvilken forsyningsspænding, der anvendes i dit hjem, bør du søge vejledning hos din forhandler eller det lokale elselskab.
12. Hold enheden udenfor dyrs rækkevidde. Nogle kæledyr kan finde på at bide i strømkabler.
13. Rengør enheden med en blød, tør klud. Brug ikke opløsningsmidler eller benzinbaserede væsker.
Hårdnakkede pletter kan fjernes med en let fugtet klud med en mild sæbeopløsning.
14. Producenten er ikke ansvarlig for skade eller mistede data, der skyldes fejlfunktion, misbrug, ændringer af enheden eller udskiftning af batterier.
15. Undlad at afbryde forbindelsen, mens enheden formateres, eller der overføres filer. I modsat fald kan data blive beskadiget eller gå tabt.
16. Hvis enheden er udstyret med funktion til USB-afspilning, skal USB-sticken sættes direkte i apparatet. Brug ikke et USB-forlænger-kabel, da et sådant kan skabe interferens og føre til tab af data.
17. Mærkepladen findes i bunden eller på bagsiden af enheden.
18. Denne enhed må ikke bruges af personer (inkl. børn) med nedsatte fysiske motoriske eller mentale evner eller manglende erfaring, medmindre de er blevet instrueret i brugen af en person, der er ansvarlig for deres sikkerhed, og er under dennes opsyn.
19. Produktet er udelukkende beregnet til professionel brug, ikke til kommerciel eller industriel anvendelse.

20. Sørg for, at enheden er placeret stabilt. Skade, der skyldes anvendelse af produktet i en ustabil position, vibrationer, stød eller manglende overholdelse af de retningslinjer og andre advarsler, der er udstukket i denne brugervejledning, dækkes ikke af garantien.
21. Åbn aldrig enhedens kabinet.
22. Placér aldrig denne enhed ovenpå andet elektrisk udstyr.
23. Lad ikke børn få adgang til plastposer.
24. Brug kun tilslutninger/tilbehør, der er angivet af producenten.
25. Overlad alt servicearbejde til et kvalificeret serviceværksted. Service er påkrævet, hvis enheden på nogen måde er blevet beskadiget, hvis fx strømkablet eller stikket er beskadiget, hvis der er spildt væske på enheden, eller hvis en genstand er faldet ned i den, hvis enheden har været udsat for regn eller fugt, ikke fungerer korrekt eller er blevet tabt.
26. Langvarig lytning til musik ved høj lydstyrke kan medføre midlertidige eller permanente høreskader.
27. Hvis produktet leveres med strømkabel eller strømforsyning til vekselstrøm:
 - Hvis der opstår problemer, skal du tage stikket ud af kontakten og overlade al service til kvalificeret tekniker.
 - Undlad at træde på eller klemme strømforsyningen. Vær forsigtig, især nær de steder, hvor stik og kabler er fastgjort. Undlad at placere tunge genstande på strømforsyningen, da dette vil kunne beskadige den. Hold hele enheden udenfor børns rækkevidde! Hvis børn leger med strømkabler, kan de komme slemt til skade.
 - Tag stikket ud af stikkontakten i tordenvej, samt hvis du ikke skal bruge enheden i længere tid.
 - Enheden skal placeres nær stikkontakten, og der skal altid være let adgang til den stikkontakt, enheden er tilsluttet.
 - Undlad at overbelaste stikkontakter eller forlængerledninger. Overbelastning kan medføre brand eller elektrisk stød.
 - Enheder med klasse 1-opbygning bør forbindes til en stikkontakt med jord.
 - Enheder med klasse 2-opbygning kræver ikke jordforbindelse.
 - Hold altid i stikket, når du tager det ud af stikkontakten. Træk ikke i ledningen. Dette kan medføre kortslutning.
 - Brug ikke en beskadiget ledning eller stik eller en løs stikkontakt. Gør du det, kan det medføre brand eller elektrisk stød.
28. Hvis produktet indeholder eller leveres med en fjernbetjening indeholdende knapcellebatterier:

Advarsel:

 - "Slug ikke batteriet, der er risiko for kemisk forbrænding" eller tilsvarende.
 - [Fjernbetjeningen leveret med] dette produkt indeholder et knapcellebatteri. Hvis batteriet sluges, kan det medføre alvorlige indre forbrændinger på blot 2 timer, hvilket kan medføre dødsfald.
 - Hold nye og brugte batterier udenfor børns rækkevidde.
 - Hvis batterirummet ikke kan lukkes sikkert, skal du holde op med at bruge produktet og holde det udenfor børns rækkevidde.
 - Hvis du tror, et batteri kan være blevet slugt eller placeret inden i nogen del af kroppen, skal du omgående søge lægehjælp.
29. OBS ved brug af batterier:
 - Eksplosionsfare, hvis batteriet udskiftes med et andet af forkert type. Udskift udelukkende med samme eller tilsvarende type.
 - Batteriet må ikke udsættes for ekstremt høje eller lave temperaturer eller lavt lufttryk ved stor højde under brug, opbevaring eller transport.
 - Udskiftning af et batteri med et andet af forkert type kan medføre eksplosion eller lækage af brændbar væske eller gas.
 - Bortskaffelse af batterier ved afbrænding eller i en varm ovn eller ved mekanisk knusning eller opskæring af et batteri kan medføre en eksplosion.
 - Hvis et batteri efterlades i omgivelser med ekstremt høje temperaturer, kan det medføre eksplosion eller lækage af brændbar væske eller gas.
 - Hvis et batteri udsættes for ekstremt lavt lufttryk, kan det medføre eksplosion eller lækage af brændbar væske eller gas.
 - Tænk på miljøet ved bortskaffelse af brugte batterier.

INSTALLATION

- Udpak alle dele, og fjern beskyttelsesmaterialerne.
- Slut ikke enheden til lysnettet, før du har kontrolleret forsyningsspændingen og foretaget alle nødvendige tilslutninger.

ADVARSEL

Laserprodukt i klasse 1

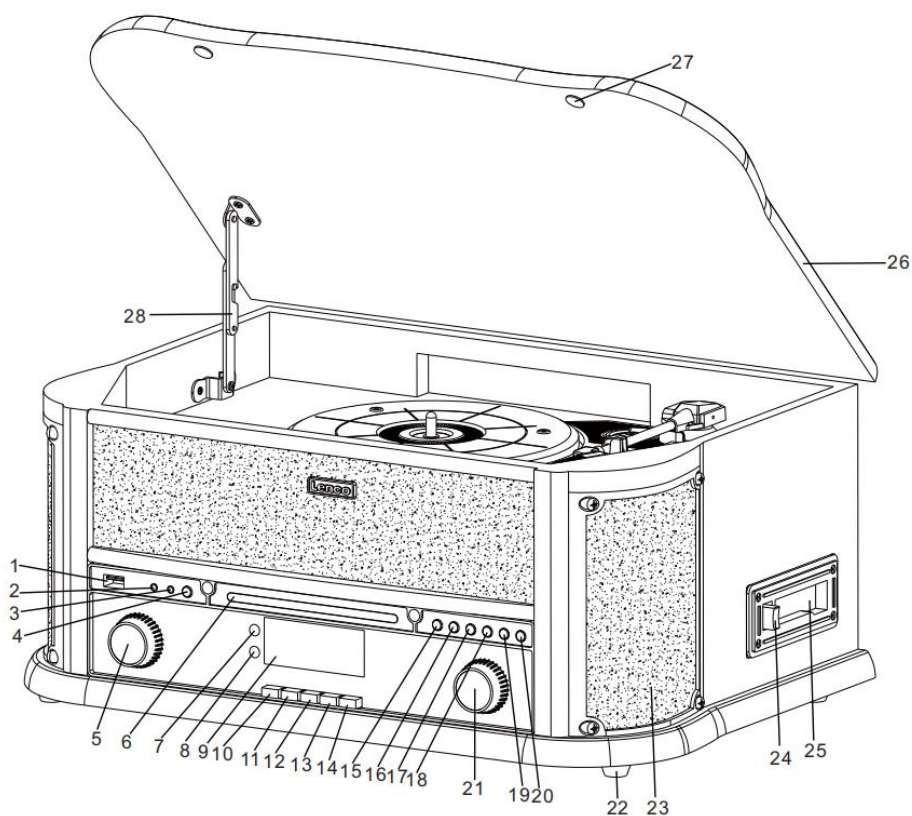
LASERPRODUKT I KLASSE 1
APPAREIL Á LASER DE CLASSE 1
PRODUCTO LASER DE CLASE 1

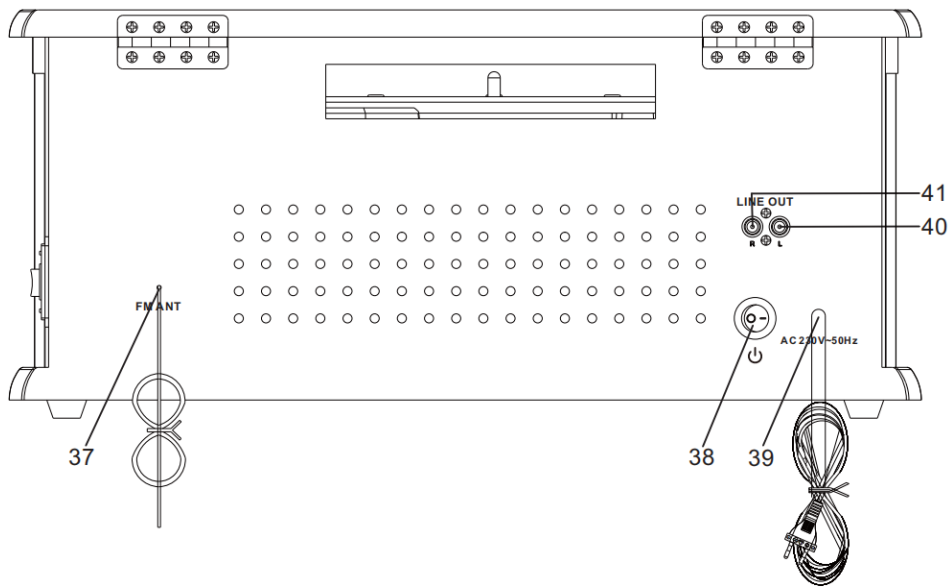
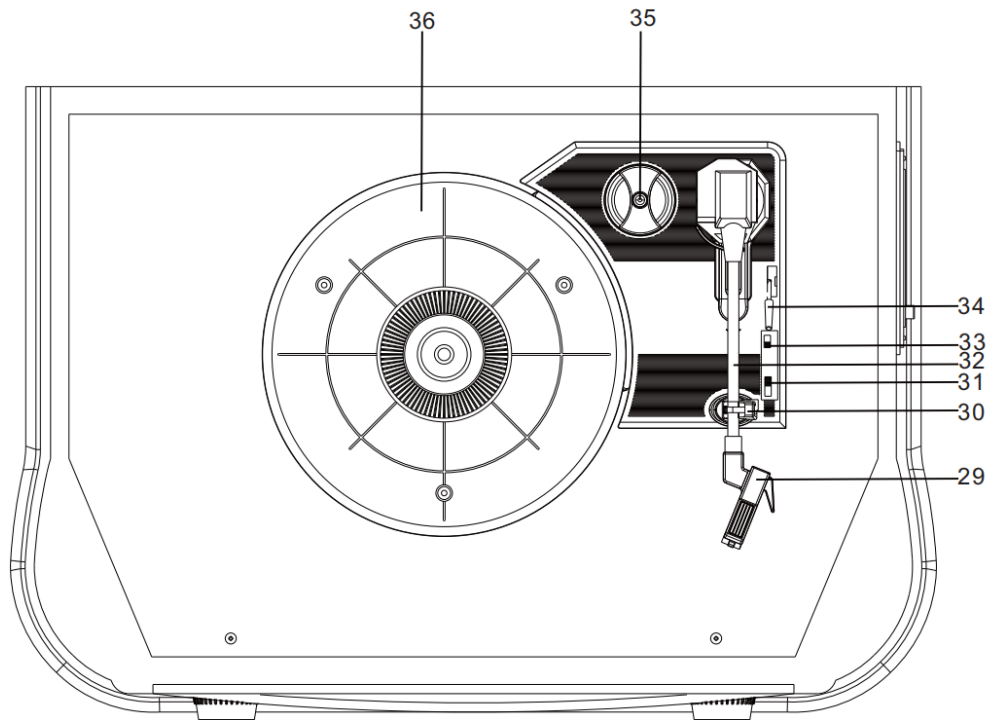
FORSIGTIG
USYNLIG LASERSTRÅLING NÅR DEN
ER ÅBEN, OG LÅSEN ER
DEAKTIVERET.
UNDGÅ EKSPONERING FOR STRÅLE

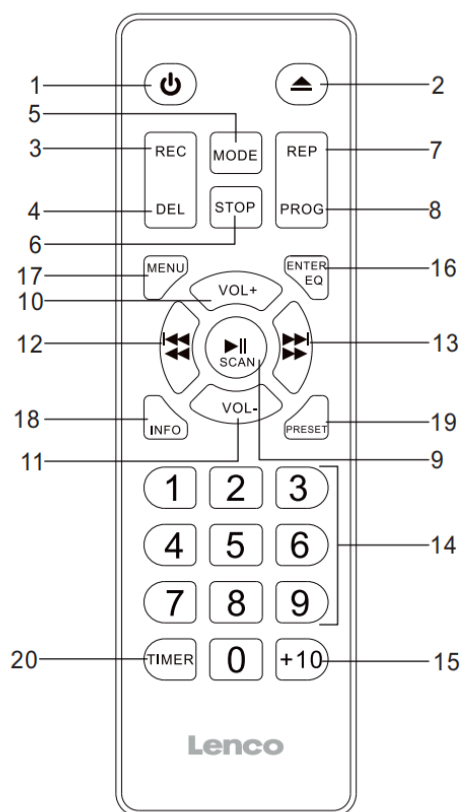


Produktet indeholder en laserenhed med lav effekt.

Advarsel: Rør ikke linsen.







Din nye enhed er fremstillet og samlet under streng standardkvalitetskontrol. Tak, fordi du har købt vores produkt, så du kan nyde din musik. Før du tager enheden i brug, bedes du læse denne brugsanvisning omhyggeligt. Gem den også til senere brug.

KNAPPER OG KONTROLLER

1. USB-STIK
2. 3,5 mm AUX-INDGANG
3. 3,5 MM STIK TIL HØRETELEFONER
4. FUNKTIONSKNAP (DAB/FM/BLUETOOTH/CD/USB/PHONO/TAPE/AUX)
5. VOLUMENKNAP/POWER STANDBY
6. CD-LÅGE
7. SENSOR TIL FJERNBETJENING
8. POWER LED-indikator
9. LCM-DISPLAY
10. MENUKNAP
11. KNAPPEN INFO
12. KNAP TIL SCANNING
13. KNAP TIL FASTE STATIONER
14. KNAPPEN ENTER/EQ

15. KNAPPEN AFSPIL/PAUSE
16. KNAPPEN STOP
17. KNAPPEN NED/SPOL TILBAGE
18. KNAPPEN OP/SPOL FREM
19. REC/DEL (KNAPPEN OPTAG/SLET)
20. KNAP TIL ÅBNING/LUKNING AF CD-LÅGE
21. KNAP TIL TUNING/AFSPILNINGSTILSTAND
22. FODPUDE AF PLAST
23. HØJTTALERE
24. KNAP TIL STOP/UDSKUBNING AF TAPE
25. KASSETTEAFSPILLER
26. STØVLÅG
27. PUDE PÅ STØVLÅG
28. HÆNGSEL
29. PICKUP
30. PICKUPHOLDER
31. HASTIGHEDSVÆLGER 33/45/78 O/MIN.
32. TONEARM
33. Auto-stop ON/OFF
34. KONTAKT TIL PAUSE PÅ PLADESPILLER
35. STRØMFORSYNING
36. PLADESPILLER
37. FM/DAB-ANTENNE
38. TÆND-/SLUK-KNAP
39. AC STRØMKABEL
- 40/41. LINJEUDGANGE (R+L)

FJERNBETJENING

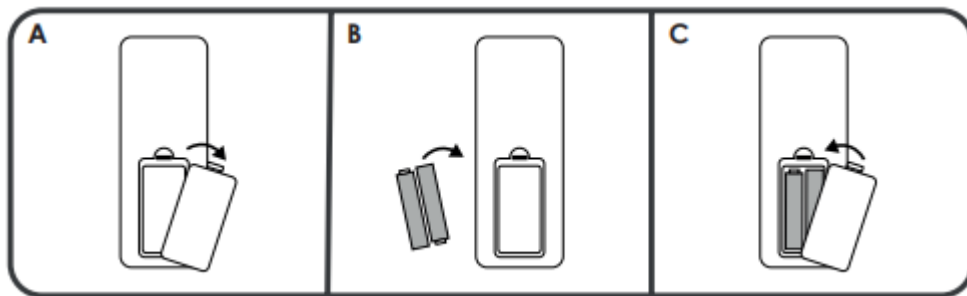
1. TÆND/SLUK-KNAP
2. ÅBN/LUK CD-LÅGE
3. REC: i CD/AUX IN/DAB/PHONO/CASSETTE/BT-tilstand, tryk for at aktivere optagefunktionen.
4. KNAPPEN DELETE
5. TILSTANDSKNAP til at vælge kilde CD/USB/BT/DAB/FM/TAPE/PHONO/AUX IN.
6. KNAPPEN STOP
7. GENTAGEKNAP til at vælge gentag afspilning (CD/USB).
8. PROGRAM: Tryk for at aktivere programmeringsfunktionen i CD/USB-tilstand.
9. PLAY/PAUSE/SCAN: i CD/USB-tilstand, tryk én gang for at starte afspilning, tryk igen for at gå i pausetilstand. Start en fuld scanning i DAB eller FM.
10. KNAPPEN VOLUME+
11. KNAPPEN VOLUME-
12. KNAPPEN SPRING OVER/SPOL TILBAGE
13. KNAPPEN SPRING OVER/SPOL HURTIGT FREMAD
14. LÅSNING AF NUMRE 0-9
15. 10+ Track-knap til valg af 2-cifrede tal.

16. KNAPPEN ENTER/EQ
17. MENUKNAP
18. INFO-KNAP til visning af info i DAB/FM/CD.
19. Knap TIL FAST STATION til at åbne favoritlisten og genkalde en station.
20. KNAPPEN TIMER: timer for autosluk

Batterier til fjernbetjening

Der skal bruges 2xAAA-batterier (medfølger ikke) til den infrarøde fjernbetjening.

- A) Tag dækslet af batterirummet
- B) Indsæt 2 x AAA-batterier i henhold til markeringerne inde i rummet.
- C) Luk rummet.



STRØMFORSYNING

Denne enhed drives af en hovedforsyning på 100-250 V~ 50 Hz/60 Hz. Tilslut vekselstrømsledningen til stikkontakten. Sørg for, at spændingen er som angivet på mærkepladen på bagsiden af enheden.

Tilslut enheden til strømforsyningen. Sæt TÆND-/SLUKKNAPPEN (38) i ON-position for at tænde for enheden. Sæt TÆND-/SLUKKNAPPEN (38) i OFF-position for at slukke for enheden.

Denne enhed har to arbejdstilstande:

STANDBY-TILSTAND: Skærmen viser det aktuelle klokkeslæt, og højttalerne og baggrundslyset er slukket.

AFSPILNINGS-TILSTAND: Den blå baggrundsbelysning er tændt, og du kan lytte til musik.

Når der ikke produceres lyd, skifter enheden automatisk til STANDBYTILSTAND efter 15 minutter.

Sådan skifter du mellem AFSPILNINGSTILSTAND og STANDBYTILSTAND. Tryk på volumen-/powerknappen én gang for at tænde, tryk på volumen-/powerknappen igen for at slukke.

INDSTILLING AF AUTOSLUK

1. Med denne funktion kan du lægge dig til at sove, mens du lytter til radioen.
 2. Mens du lytter til musik, skal du trykke på TIMER (20 på fjernbetjeningen) og holde den nede og trykke på TIMER igen for at vælge mellem OFF/15/30/45/60/90.
- Radioen slukker automatisk efter den valgte autosluk-timer.

SYSTEMINDSTILLINGER

I alle tilstande skal du trykke på MENU-knappen (10) (17 på fjernbetjeningen) og vælge SYSTEM:

- Alarm: Vælg denne mulighed for at indstille alarmen.

- Time (tid): Vælg denne mulighed for at indstille dato og klokkeslæt.
- Backlight (baggrundsbelysning): Vælg denne indstilling for at ændre timeout/tændingsniveau/skærmbelysning.
- Language (sprog): Vælg denne mulighed for at ændre systemets sprog.
- Factory Reset (fabriksindstilling): Vælg denne indstilling for at nulstille enheden til fabriksindstilling.
- Software Upgrade (softwareopgradering): Vælg denne indstilling, hvis der udgives en ny softwareversion.
- SW version (softwareversion): Vælg denne mulighed for at se den aktuelle softwareversion.

INDSTILLING AF TID

1. Tryk på MENU-knappen (10) (17 på fjernbetjeningen), og vælg SYSTEM to Time.
2. Indstil tid/dato. Tryk gentagne gange på SKIP+/- (17/18) (12/13 på fjernbetjeningen) for at vælge 12/24 cifre for time. Tryk på ENTER/EQ-knappen (14) (16 på fjernbetjeningen) igen for at bekræfte.
3. timetallet blinker på displayet. Tryk gentagne gange på SKIP+/- (17/18) (12/13 på fjernbetjeningen) for at indstille den korrekte time. Tryk på ENTER/EQ-knappen (14) (16 på fjernbetjeningen) igen for at bekræfte.
4. Tallene for minutter blinker på displayet. Tryk gentagne gange på SKIP+/- (17/18) (12/13 på fjernbetjeningen) for at indstille korrekt minut. Tryk på ENTER/EQ-knappen (14) (16 på fjernbetjeningen) igen for at bekræfte.
5. Tallene for dag blinker på displayet. Tryk gentagne gange på SKIP+/- (17/18) (12/13 på fjernbetjeningen) for at indstille korrekt årstal. Tryk på ENTER/EQ-knappen (14) (16 på fjernbetjeningen) igen for at bekræfte.
6. Tallene for måned blinker på displayet. Tryk gentagne gange på SKIP+/- (17/18) (12/13 på fjernbetjeningen) for at indstille korrekt måned. Tryk på ENTER/EQ-knappen (14) (16 på fjernbetjeningen) igen for at bekræfte.
7. Tallene for årstal blinker på displayet. Tryk gentagne gange på SKIP+/- (17/18) (12/13 på fjernbetjeningen) for at indstille korrekt dag. Tryk på ENTER/EQ-knappen (14) (16 på fjernbetjeningen) igen for at bekræfte.

INDSTILLING AF ALARM

1. Tryk på MENU-knappen (10) (17 på fjernbetjeningen), og vælg SYSTEM til alarmindstilling, eller tryk gentagne gange på TIMER (20 på fjernbetjeningen) for at vælge alarm 1 eller 2.
2. Tryk derefter på ENTER/EQ-knappen (14) (16 på fjernbetjeningen) for at begynde indstillingen af alarmer. Du kan trykke på SKIP (12 eller 13 på fjernbetjeningen) og ENTER/EQ-knappen for at indstille ON TIME, varighed, alarmkilde, alarmfrekvens og lydstyrkeniveau for alarm osv.
3. Når alle indstillinger er foretaget, vil du se "Alarm saved (alarm gemt)" og alarmikon 1 eller 2 på displayet.
4. Når Alarm OFF er indstillet, forsvinder alarmikonet.

DAB-tilstand

Tryk på funktionsknappen (4) (5 på fjernbetjeningen) gentagne gange for at vælge tilstand for DAB.

Tryk på SKIP+/- (17/18) (12/13 på fjernbetjeningen) for at søge i programmet.

DAB-MENU

Tryk på MENU (10) (17 på fjernbetjeningen) for at få adgang til indstillingerne.

- Full Scan (Fuld scanning): Vælg denne mulighed for at udføre en fuld scanning af de tilgængelige DAB-programmer. Du kan trykke på SCAN (12) for at udføre den samme handling.
- Manual Tune (manuel kanalsøgning): Vælg denne indstilling for at vælge DAB-frekvensen manuelt.
- DRC: Vælg denne indstilling for at vælge mellem DRC lav, DRC høj og DRC slået fra.
- Prune (udtynding): Fjern utilgængelige stationer fra stationslisten.

DAB-FORUDINDSTILLING

Du kan programmere op til 20 forudindstillede radiostationer.

- Tryk og hold PRESET (13) nede (19 på fjernbetjeningen). PRESET STORE vises på displayet. Tryk på SKIP+/- (17/18) (12/13 på fjernbetjeningen) for at vælge det forudindstillede tal. Tryk på ENTER (14) (16 på fjernbetjeningen) for at bekræfte.
- Tryk på PRESET (13) (19 på fjernbetjeningen) for at navigere gennem indstillingerne.

DAB-INFO

Tryk gentagne gange på INFO (11) (18 på fjernbetjeningen) for at se følgende oplysninger NAME / KBPS / DATE / TIME (NAVN/KBPS/DATO/TIDSPUNKT).

VIGTIGE OPLYSNINGER VEDR. MODTAGELSE AF DAB+

DAB+-radiomodtagelse er forskellig fra FM-radiomodtagelse.

- I FM kan du ofte stadig modtage de svage stationer, men som oftest med susende eller knitrende lyd.
- DAB+-modtagelse fungerer digitalt, og hvis signalet ikke er stærkt nok, hører du intet. Ingen susen eller knitren som med FM. Dette skyldes ikke radioen, det er blot et faktum, at DAB+-signalet ikke er stærkt nok på det givne sted.
- DAB+-reglen er: Ingen eller svagt signal = ingen lyd.

Det kan du gøre, hvis du ikke har direkte DAB+-modtagelse.

- Lad altid antennen pege ret op i luften i starten.
- Placér ikke radioen for tæt på potentielle interferensskilder som fx batteriopladere, roterende maskineri, computere, store metaloverflader osv.
- Flyt radioen nogle få meter.
- Tænd radioen, og start en fuld kanalsøgning i DAB+-menuen.
- Radioens display viser en oversigt over søgningen og antallet af fundne stationer på radioens aktuelle placering.

Vigtigt

- Med DAB+-modtagelse kan der være stor forskel i modtageniveauet på et sted og et andet sted "få meter væk". Hvis det lokale DAB+-signal er svagt, kan du flytte radioen for at finde et stærkere signal.
- Hvis radioen bringes til et nyt sted, skal du gennemføre en fuld kanalsøgning igen. Søgningen viser dig, hvilke DAB+-stationer, der kan modtages der.

FM-tilstand

Tryk på funktionsknappen (4) (5 på fjernbetjeningen) gentagne gange for at vælge FM-tilstand. Drej TUNING-KNAPPEN (21) for manuelt at vælge frekvensen.

FM-MENU

Tryk på MENU (10) (17 på fjernbetjeningen) for at få adgang til indstillingerne.

- Scan Setting (indstilling af kanaler): Vælg denne indstilling for at vælge mellem at scanne alle stationer eller kun de stærke stationer.
- Audio Setting (indstilling af lyd): Vælg denne indstilling for at vælge mellem at tvinge monolyd eller tillade stereolyd.

FM-FORUDINDSTILLING

Se vejledning til FORUDINDSTILLING AF DAB.

FM-INFO

Tryk gentagne gange på INFO (11) (18 på fjernbetjeningen) for at se følgende oplysninger:

KIND OF PROGRAM/FREQUENCY/AUDIO/DATE/TIME
(PROGRAMTYPE/FREKVENS/LYD/DATO/TIDSPUNKT).

LYTTE TIL KASSETTEBÅND

1. Tryk på funktionsknappen (4) (5 på fjernbetjeningen) gentagne gange for at vælge tilstand for KASSETTEBÅND.
2. Sæt et kassettebånd ind i enheden. Systemet starter afspilningen automatisk, når der sættes et kassettebånd i.
3. Tryk FFD/EJ (24) halvt indad under afspilning. Båndet spoler fremad.
Tryk let på FFD/EJ (24) igen for at genoptage afspilningen.
4. Tryk FFD/EJ (24) helt ind, og kassettebåndet vil blive skubbet ud gennem KASSETTEAFSPILLEREN (25).

AFSPILNING AF CD

1. Tryk på funktionsknappen (4) (5 på fjernbetjeningen) gentagne gange for at vælge tilstand for CD.
2. Tryk på CD DOOR OPEN/CLOSE BUTTON (20) (2 på fjernbetjeningen) for at åbne CD-lågen. Læg en CD i bakken med plademærkatens opad, og luk CD-lågen. Det første nummer starter afspilningen.

- Tryk på SKIP +/- (17/18) (12/13 på fjernbetjeningen) for at vælge dine yndlingsmelodier. Hvis du holder SKIP +/- (17/18) (12/13 på fjernbetjeningen) nede, vil afspilningsnummeret gå hurtigt frem eller tilbage, indtil du slipper knappen.
- Tryk på PLAY/PAUSE (15) (9 på fjernbetjeningen) for at sætte afspilningen på pause. Nummer for nummeret vil begynde at blinke. Tryk på PLAY/PAUSE (15) (9 på fjernbetjeningen) igen for at genoptage afspilningen.
- Tryk på STOP (16) (6 på fjernbetjeningen) for at stoppe afspilningen.

GENTAG/TILFÆLDIG AFSPILNING

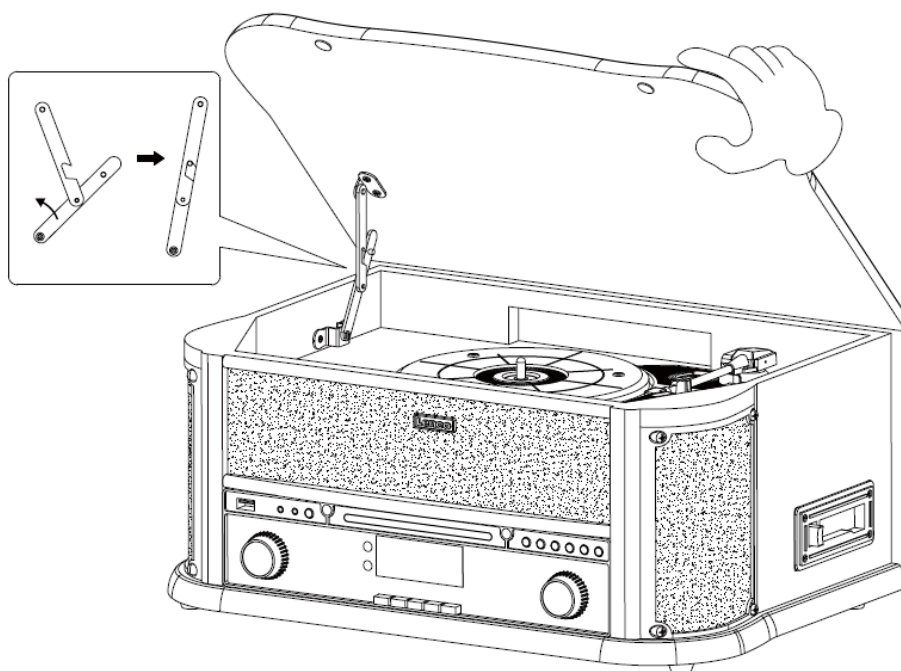
Under CD/USB-afspilning, tryk gentagne gange på (7) på fjernbetjeningen for at vælge:

- Repeat1 (gentag1): Det aktuelle nummer afspilles gentagne gange.
- Repeat DIR (gentag DIR): Den aktuelle mappe afspilles gentagne gange.
- Repeat All (gentag alle): Alle spor afspilles gentagne gange.
- SHUFFLE: et tilfældigt udvalg af diskens numre.
- INTRO: for at høre de første 10 sekunder af et nummer.

CD-PROGRAMMERING

Du kan programmere op til 99 numre til afspilning i den ønskede rækkefølge.

1. Indsæt en disk, og tryk på STOP (16) (6 på fjernbetjeningen), når den begynder at afspille.
2. Tryk på (8) på fjernbetjeningen. "P01" vises på displayet.
3. Tryk på SKIP +/- (17/18) (12/13 på fjernbetjeningen) for at vælge dine yndlingsmelodier.
4. Tryk på (8) på fjernbetjeningen for at gemme nummeret i programhukommelsen. "P02" vises på displayet.
5. Gentag trin 3-4 for at vælge og gemme alle de ønskede numre.
6. Tryk på PLAY/PAUSE (15) (9 på fjernbetjeningen) for at starte programafspilningen.
7. Tryk på STOP (16) (6 på fjernbetjeningen) én gang for at stoppe afspilningen af programmet. Tryk på STOP (16) (6 på fjernbetjeningen) to gange for at slette programmet.



Sådan åbnes/lukkes pladespillerens låg

For at åbne det:

- Løft pladespillerens låg helt op, indtil det stopper.
- Sænk langsomt låget, indtil låsen går i indgreb. Hvis låsen ikke går i indgreb, skal du trække i den nederste stang med hånden.
- Låget vil nu forblive åbent.

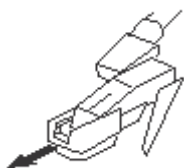
For at lukke det:

- Løft låget helt op, indtil det stopper.
- Låsen vil nu gå ud af indgrebet. Sænk langsomt låget. Hvis låsen ikke går ud af indgrebet, skal du skubbe den nederste stang ud med hånden.
- Sørg for at holde forsigtigt i låget, så du ikke klemmer fingrene, når det lukkes.

LYTTE TIL OPTAGELSER

MEGET VIGTIGT! (Denne funktion er kun begrænset til den store pladespiller med denne funktion)

1. Tryk på MODE (4) (5 på fjernbetjeningen) gentagne gange for at vælge PHONO-tilstand.
2. Åbn låget til pladespilleren. Udløs klemmen på tonearmen, og fjern beskyttelsehætten fra nålen.



Placér en plade på pladespilleren over midterspindlen. Placér EP-adapteren over den centrale spindel, når du afspiller 17 cm EP-plader.

3. Indstil 33/45/78 RPM SPEED SELECTOR (31) til 33/45/78 rpm i henhold til pladen.
4. Løft tonearmen med løftehåndtaget til tonearmen. Flyt tonearmen til starten af pladen eller til starten af et bestemt musiknummer. Sænk forsigtigt tonearmen ned på pladen ved hjælp af løftehåndtaget til tonearmen for at starte afspilningen.
5. Når pladen er færdig, stopper tonearmen automatisk. For at stoppe manuelt, løft tonearmen fra pladen og placer den tilbage på holderen.
6. Flytning eller rystelse af pladetallerkenen uden låsning af tonearmen kan resultere i skade på tonearmen. Sæt beskyttelseshætten på skrivepenen, når den ikke er i brug.

Sådan isættes nålen

1. Hold i spidsen af nålen, og før den ind i pickuppen, som vist på fig. "B".
2. Skub nålen opad i retning "C", indtil nålen klikker på plads.



Styrestifter (indeni)

NOTER

Vi anbefaler, at du renser dine plader med en antistatisk klud for at opnå den bedst mulige lyd kvalitet fra dem. Af samme grund anbefaler vi, at nålen udskiftes med jævne mellemrum (efter ca. hver 250 timers afspilning).

AUX-IN

Denne enhed har et ekstra lydindgangsstik til tilslutning af eksterne lydenheder som MP3-afspillere, CD-afspillere og tillader afspilning af din eksterne kilde gennem systemets højttalere.

1. Brug et lyd kabel (medfølger ikke) med et RCA-stereostik i den ene ende af kablet. Sæt den ene ende i AUX-IN-stikket på hovedenheden, og sæt den anden ende af kablet i LINE OUT (udgang)- eller HEADPHONE (høretelefon)-stikket på din eksterne lydenhed.
2. Tænd for enheden og din eksterne lydenhed. Tryk på funktionsknappen (4) (5 på fjernbetjeningen) gentagne gange for at vælge tilstand for AUX IN
3. Begynd at afspille den eksterne enhed (se brugervejledningen til den eksterne enhed).

BRUG AF BLUETOOTH

1. Tryk på funktionsknappen (4) for at vælge BLUETOOTH-funktionen. "Bluetooth" vises på displayet.

2. Vælg fra din bærbare enhed (smartphone, tablet...) ID Bluetooth-tagget som Lenco TCD-2571WD, og bekræft derefter forbindelsen.
3. Når parringen er vellykket, holder LCM op med at blinke.
4. Nu kan du overføre musikken til Lenco TCD-2571WD, og alle funktioner kan kun betjenes fra din mobile enhed.

Dette produkt fungerer på 2400 - 2483,5 MHz og er kun beregnet til at blive brugt i et normalt boligmiljø. Dette produkt er velegnet til dette formål i alle EU-lande.

KODNING FRA radio/DAB-radio

Sæt et USB-drev i USB-porten. Tryk på funktionsknappen (4) (5 på fjernbetjeningen) for at skifte til DAB- eller FM-tilstand, og brug TUNING-kontrollen til at indstille eller trykke på SKIP+/- (17/18) (12/13 på fjernbetjeningen) på den station, hvorfra du vil optage udsendelsen. Tryk på REC/DEL-knappen (19) (3 på fjernbetjeningen) to gange for at starte optagelsen, og "REC" vil blinke på displayet. Tryk på STOP-knappen (16) (6 på fjernbetjeningen) for at stoppe optagelsen.

KODNING FRA CD

Sæt et USB-drev i USB-porten. Under CD-afspilning skal du trykke på REC/DEL-knappen (19) (3 på fjernbetjeningen) to gange -ONE blinker på displayet, hvilket betyder, at vi kan vælge den sang, der afspilles i øjeblikket, til at blive optaget; hvis du vil vælge hele CD'en til at blive optaget, skal du trykke igen på Forward Skip-knappen, og "ALL (alle)" blinker på displayet, tryk igen på REC/DEL-knappen for at starte optagelsen. Tryk på STOP-knappen (16) (6 på fjernbetjeningen) for at stoppe optagelsen.

KODNING FRA CD-MP3

Proceduren for at optage fra CD MP3 er den samme som ovenfor, men i stedet for lyd-CD, hvis du vil vælge hele filmappen (hvis CD'en har flere mapper), der skal optages, skal du trykke på knappen Forward Skip, og "REC-FOLDER (optagelsesfolder)" vil blinke på displayet, tryk igen på REC/DEL-knappen for at starte optagelsen. Tryk på STOP-knappen (16) (6 på fjernbetjeningen) for at stoppe optagelsen.

KODNING FRA KASSETTE

Sæt et USB-drev i USB-porten. Under afspilning af TAPE (bånd) skal du trykke to gange på REC/DEL-knappen (19) (3 på fjernbetjeningen) for at starte optagelsen, og "REC (optagelse)" vil blinke på displayet. Tryk på STOP-knappen (16) (6 på fjernbetjeningen) for at stoppe optagelsen.

KODNING FRA PHONO

Sæt et USB-drev i USB-porten. Under PHONO-afspilning bevæger du tonearmen over det ønskede sted på pladen og sænker den ned på pladen, tryk på REC/DEL-knappen (19) (3 på fjernbetjeningen) to gange for at starte optagelsen, og "REC (optagelse)" vil blinke på displayet. Tryk på STOP-knappen (16) (6 på fjernbetjeningen) for at stoppe optagelsen.

KODNING FRA BLUETOOTH

Sæt et USB-drev i USB-porten. Under afspilning af BLUETOOTH skal du trykke to gange på REC/DEL-knappen (19) (3 på fjernbetjeningen) for at starte optagelsen af den ønskede musik, og "REC (optagelse)" vil blinke på displayet. Tryk på STOP-knappen (16) (6 på fjernbetjeningen) for at stoppe optagelsen.

KODNING FRA AUX

Sæt et USB-drev i USB-porten. Under AUX-afspilning skal du skifte den eksterne signalkilde til afspilning og trykke på REC/DEL-knappen (19) (3 på fjernbetjeningen) to gange for at starte optagelsen, "REC (optagelse)" vil blinke på displayet. Tryk på STOP-knappen (16) (6 på fjernbetjeningen) for at stoppe optagelsen.

AFSPILNING FRA USB

1. Sæt USB-enhedens stik i USB-stikket.
2. Tryk på funktionsknappen (4) (5 på fjernbetjeningen) gentagne gange for at vælge tilstand for USB.
3. Enheden begynder automatisk at aflæse enheden, når forbindelsen er oprettet.
4. Brug samme procedure som CD til at lytte til din USB-enhed.

SLET USB-FIL

1. Tryk og hold REC/DEL (19) (4 på fjernbetjeningen) nede under afspilning. "DEL (slet)" vises på displayet.
2. Tryk gentagne gange på SKIP +/- (17/18) (12/13 på fjernbetjeningen) for at vælge mellem ONE/FOLDER/ALL.
3. Tryk på REC/DEL (19) (4 på fjernbetjeningen) igen for at bekræfte.

EQ-BETJENING

Under afspilning skal du trykke på ENTER/EQ-KNAPPEN (16 på fjernbetjeningen) for at vælge mellem forskellige lydeffekter blandt FLAT/POP/CLASSIC/ROCK/JAZZ/BASS.

SPECIFIKATIONER

Vekselstrøm: 100-250 V ~ 50 Hz/60 Hz

FM: 87,5-108 MHz

DAB-bånd: BÅND III

Ret til uvarslet ændring i design og specifikationer forbeholdes.

Garanti

Commaxx B.V. tilbyder service og garanti i overensstemmelse med europæisk lovgivning, hvilket betyder, at i tilfælde af reparation (både under og efter garantiperiodens udløb) bør du kontakte din lokale forhandler.

Vigtig meddelelse: Det er ikke muligt at sende produktet direkte til Commaxx B.V., hvis det kræver reparation.

Vigtig meddelelse: Hvis enheden åbnes eller på nogen måde tilgås af et ikke-godkendt servicecenter, bortfalder garantien.

Denne enhed er ikke egnet til professionel brug. I tilfælde af professionel brug bortfalder alle garantiforpligtelser fra producentens side.

Ansvarsfraskrivelse

Firmware og/eller hardwarekomponenter opdateres regelmæssigt. Derfor kan visse dele af vejledningen, specifikationerne og illustrationerne i vejledningen variere en smule fra dit faktiske produkt. Alle elementer, der beskrives i denne vejledning, er kun til illustration og gælder måske ikke i den givne situation. Ingen juridisk ret eller rettighed kan opnås fra beskrivelsen i denne vejledning.



Bortskaffelse af udtjente enheder

Symbolet angiver, at det relevante elektriske produkt eller batteri inden for Europa ikke må bortskaffes som almindeligt husholdningsaffald. For at sikre korrekt affaldsbehandling af produktet og batteriet skal du bortskaffe dem i overensstemmelse med gældende lokal lovgivning om bortskaffelse af elektrisk udstyr eller batterier. På den måde hjælper du med at bevare naturressourcer og forbedre miljøbeskyttelsen indenfor behandling og bortskaffelse af elektrisk affald (Direktiv om affald af elektrisk og elektronisk udstyr).

OVERENSSTEMMELSESERKLÆRING

Hermed erklærer Commaxx, at radioudstyrstypen [Lenco TCD-2571] er i overensstemmelse med EU-direktiv 2014/53/EU. EU-overensstemmelseserklæringens fulde tekst kan findes på følgende internetadresse:

https://commaxx-certificates.com/doc/tcd-2571_doc.pdf

Type RF	Frekvensområde (MHz)	Effekt (dBm)
Bluetooth	2402 - 2480	< 6
DAB	174 - 240	-
FM	87,5 - 108	-

Service

Gå ind på www.lenco.com for yderligere oplysninger og support fra vores helpdesk
Commaxx B.V. Wiebachstraat 37, 6466 NG Kerkrade, The Netherlands.

VAR FÖRSIKTIG:

Att använda kontroller eller justeringar eller utföra andra förfaranden än de som anges häri kan leda till att du utsätts för farlig strålning.

FÖRSIKTIGHETSÅTGÄRDER INNAN ANVÄNDNING**HA DESSA INSTRUKTIONER I ÅTANKE:**

1. Täck inte över eller blockera några ventilationsöppningar. När enheten placeras på en hylla bör det lämnas 5 cm (2 tum) ledigt utrymme runt hela enheten.
2. Montera i enlighet med den medföljande användarmanualen.
3. Håll enheten borta från värmekällor såsom radiatorer, värmare, spisar, ljus och andra värmegenererande produkter eller öppen eld. Enheten kan endast användas i måttliga klimat. Extremt kalla eller varma omgivningar bör undvikas. Drifttemperatur mellan 0 och 35 °C.
4. Undvik att använda enheten nära starka magnetfält.
5. Elektrostatisk urladdning kan störa den normala användningen av den här enheten. Återställ och starta om enheten enligt instruktionsboken om så är fallet. Hantera försiktigt och använd i en statiskt fri miljö vid filöverföring.
6. Varning! För aldrig in ett föremål i produkten genom ventilerna eller öppningarna. Högsänning flödar genom produkten och om du för in ett föremål kan det orsaka elektriska stötar och/eller kortslutning av interna komponenter. Spill inte vatten eller vätska på produkten av samma anledning.
7. Använd inte i våta eller fuktiga områden såsom badrum, ångfyllda kök eller i närheten av simbassänger.
8. Enheten får inte utsättas för dropp eller stänk och se till att inga föremål fyllda med vätskor såsom vaser placeras på eller i närheten av den.
9. Använd inte den här enheten när kondens kan uppstå. När enheten används i ett varmt och fuktigt rum kan vattendroppar eller kondens uppstå inuti enheten och enheten kanske inte fungerar som den ska. Låt enheten vara avstängd i en eller två timmar innan du slår på strömmen igen. Enheten ska vara torr innan strömmen slås på.
10. Även om denna enhet tillverkas med största omsorg och kontrolleras flera gånger innan den lämnar fabriken är det fortfarande möjligt att problem kan uppstå vilket gäller alla elektriska apparater. Om du märker rök, kraftig uppbyggnad av värme eller andra oväntade fenomen ska du omedelbart dra ur kontakten ur eluttaget.
11. Enheten måste drivas med en strömkälla såsom anges på de särskilda märkningskraven. Kontakta din återförsäljare eller lokala elbolag om du är osäker på vilken typ av strömförsörjning som används i ditt hem.
12. Håll på säkert avstånd från husdjur. Vissa djur kan bita på elkablar.
13. Använd en mjuk och torr trasa för att rengöra enheten. Använd inte lösningsmedel eller bensinbaserade vätskor.
För att ta bort allvarliga fläckar kan du använda en fuktig trasa med utspätt rengöringsmedel.
14. Leverantören ansvarar inte för skador eller förlorade data orsakade av fel, missbruk, modifiering av enheten eller batteribyte.
15. Avbryt inte anslutningen när enheten formaterar eller överför filer. Data kan då bli skadade eller förloras.
16. Om enheten har en funktion med USB-uppspelning bör USB-minnet anslutas direkt till enheten. Använd inte en USB-förlängningskabel eftersom den kan orsaka störningar som kan leda till att data förloras.
17. Klassificeringsetiketten är placerad på enhetens undersida eller baksida.
18. Den här enheten är inte avsedd för att användas av personer (inklusive barn) med fysiska, sensoriska eller psykiska funktionshinder eller brist på erfarenhet och kunskap såvida de inte är under övervakning av eller har fått instruktioner om korrekt användning av enheten av den person som ansvarar för deras säkerhet.
19. Den här produkten är endast avsedd för icke-professionell användning och inte för kommersiellt eller industriellt bruk.

20. Se till att enheten är justerad till en stabil position. Skador orsakade av att använda den här produkten i ett instabilt läge med vibrationer eller stötar eller av att inte följa någon annan varning eller försiktighetsåtgärd i denna användarmanual täcks inte av garantin.
21. Ta aldrig bort enhetens hölje.
22. Placera aldrig enheten på annan elektrisk utrustning.
23. Låt inte barn ha tillgång till plastpåsar.
24. Använd endast tillbehör som anges av tillverkaren.
25. Överlåt all service till kvalificerad servicepersonal. Service krävs när enheten har skadats på något sätt, exempelvis på strömkabeln eller strömkontakten, när vätska har spillts eller föremål fallit in i den, när den har utsatts för regn eller fukt och inte fungerar normalt eller har tappats.
26. Lång exponering för höga ljud från musikspelare kan leda till tillfällig eller permanent hörselnedsättning.
27. Om produkten levereras med strömkabel eller nätadapter:
 - Dra ur strömkabeln och kontakta behörig personal för service om ett problem uppstår.
 - Trampa inte på nätadaptern och kläm den inte. Var mycket försiktig och då särskilt nära kontakter och kabelns uttag. Placera inte tunga föremål på nätadaptern då detta kan skada den. Håll hela enheten utom räckhåll för barn! När de leker med strömkabeln kan de skada sig själva.
 - Koppla ur denna enhet under åskväder eller när den inte används under en längre period.
 - Eluttaget måste finnas nära utrustningen och måste vara lättillgängligt.
 - Överbelasta inte eluttaget eller förlängningssladdar. Överbelastning kan orsaka brand eller elektriska stötar.
 - Enheter med klass 1-konstruktion bör anslutas till ett vägguttag med skyddsjord.
 - Enheter med klass 2-konstruktion kräver ingen jordad anslutning.
 - Håll alltid i kontakten när du drar ut den ur vägguttaget. Dra inte i strömkabeln. Detta kan orsaka en kortslutning.
 - Använd inte en skadad strömkabel, strömkontakt eller ett löst vägguttag. Om du gör detta kan det orsaka brand eller elektriska stötar.
28. Om produkten innehåller eller levereras med en fjärrkontroll som innehåller mynt/cellbatterier:

Varning:

 - "Svälj inte batterier då kemiska brännskador" eller motsvarande kan uppstå.
 - [Den medföljande fjärrkontrollen] Denna produkt innehåller ett knappcells batteri. Om batteriet sväljs kan det orsaka allvarliga inre brännskador på bara två timmar och vara livshotande.
 - Håll nya och använda batterier borta från barn.
 - Om batterifacket inte går att stänga ordentligt bör du sluta använda produkten och hålla den borta från barn.
 - Om du tror att batterier har svalts eller finns någonstans i kroppen ska du omedelbart söka läkarvård.
29. Varning om användning av batterier:
 - Explosionsrisk om batteriet byts ut felaktigt. Byt endast ut mot samma eller motsvarande typ.
 - Batteriet får inte vid användning, förvaring eller transport utsättas för extremt höga eller låga temperaturer samt lågt lufttryck vid hög höjd.
 - Att byta ut ett batteri mot en felaktig typ kan leda till en explosion eller läckage av brandfarlig vätska eller gas.
 - Kassering av ett batteri i eld, en varm ugn, mekaniskt krossning eller skärning av det kan resultera i en explosion.
 - Att lämna ett batteri i en omgivning med extremt hög temperatur kan resultera i en explosion eller läckage av brandfarlig vätska eller gas.
 - Ett batteri som utsätts för extremt lågt lufttryck kan leda till en explosion eller läckage av brandfarlig vätska eller gas.
 - Miljöaspekterna bör uppmärksammas när det gäller kassering av batterier.

MONTERING

- Packa upp alla delar och ta bort skyddsmaterialet.
- Anslut inte enheten till elnätet innan du kontrollerar nätspänningen och att alla andra anslutningar har gjorts.

VARNING

Klass 1 Laserprodukt

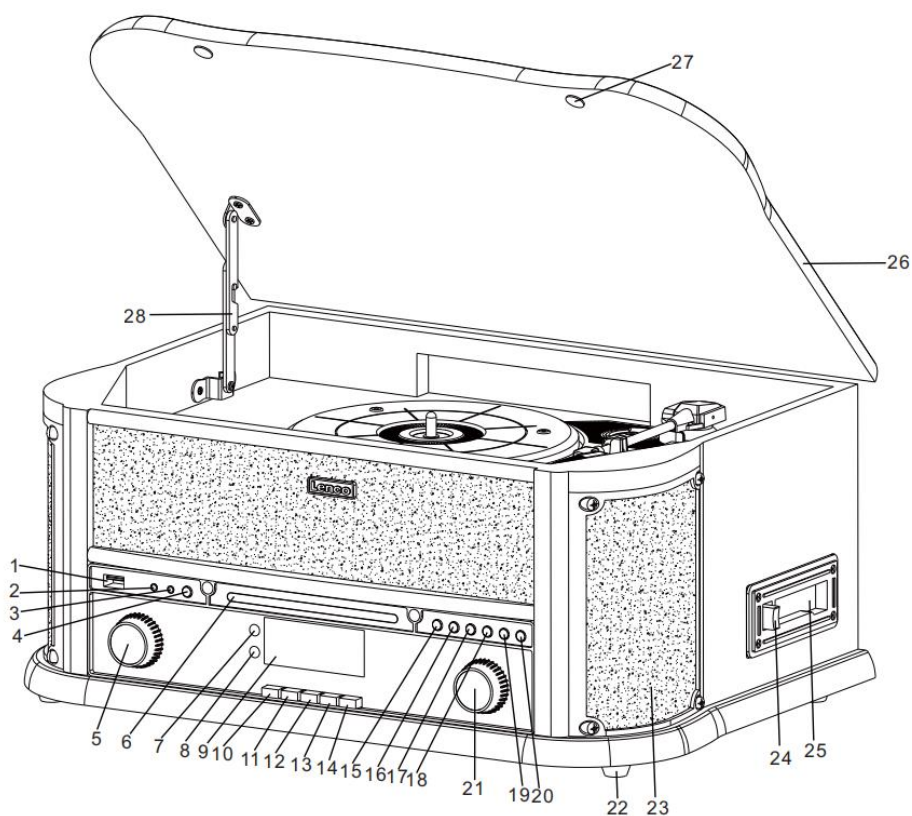
KLASS 1 LASERPRODUKT
APPAREIL Á LASER DE CLASSE 1
PRODUCTO LASER DE CLASE 1

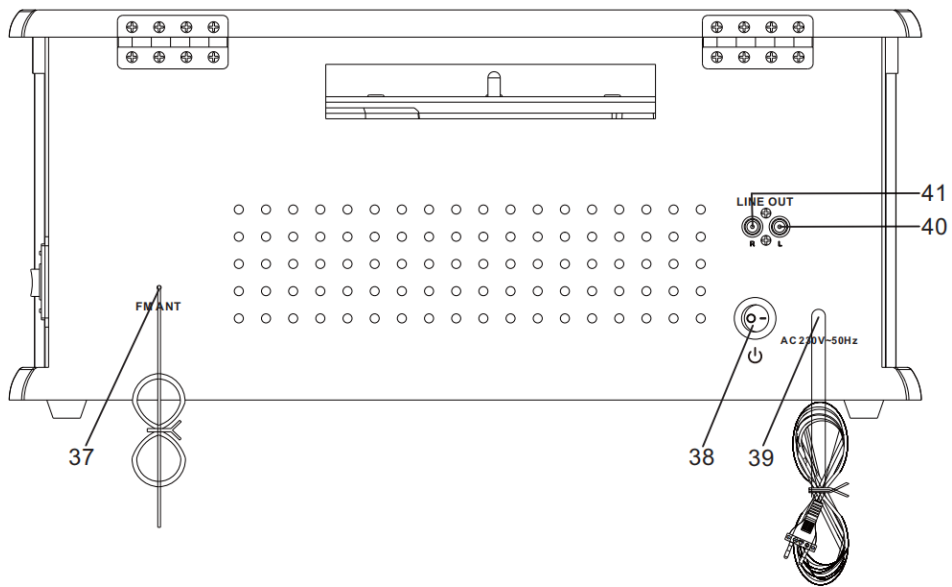
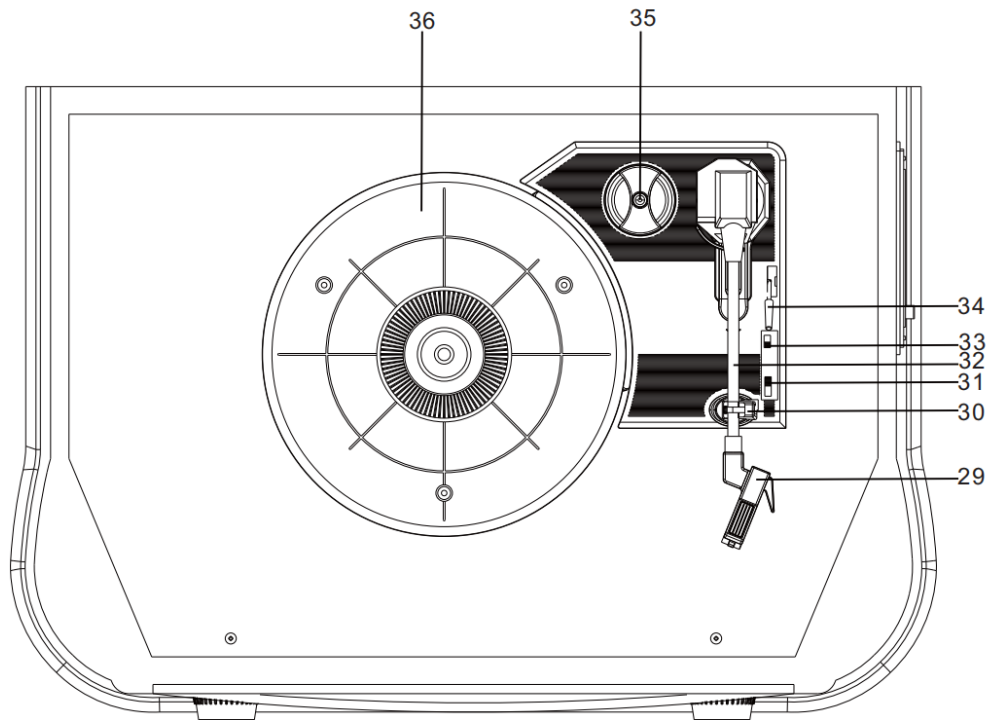
VAR FÖRSIKTIG
OSYNLIGA LASERSTRÅLAR NÄR APPARATEN
ÄR ÖPPEN OCH SÄKERHETSPÄRRARNA HAR
ÅSIDOSATTS.
UNDVIK EXPONERING FÖR STRÅLNING

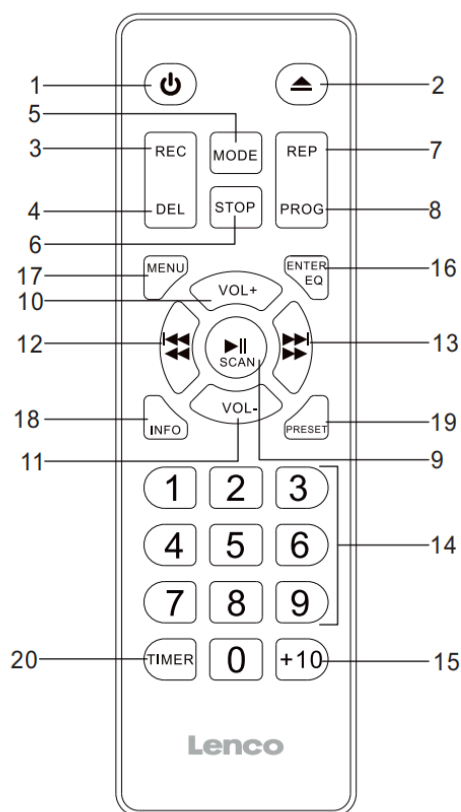


Den här produkten innehåller en laserenhet med låg effekt.

Varning: Rör inte linsen.







Enheten har tillverkats och monterats under strikt kvalitetskontroll. Tack för att du köpte vår produkt för att njuta av din musik. Läs igenom denna bruksanvisning noggrant innan du börjar använda enheten. Spara den även på lämplig plats för ytterligare framtida referens.

PLACERING AV KONTROLLER

1. USB-UTTAG
2. 3,5 MM AUX-INGÅNG
3. 3,5 MM HÖRLURSUTTAG
4. FUNKTIONSKNAPP (DAB/ FM/BLUETOOTH/CD/USB/PHONO/KASSETT/AUX)
5. VOLYMRATT/STANDBY-LÄGE
6. CD-LUCKA
7. FJÄRRSENSOR
8. STRÖMLAMPA
9. LCM-DISPLAY
10. MENYKNAPP
11. INFORMATIONSKNAPP
12. KNAPP FÖR ATT SKANNA
13. FÖRINSTÄLLNINGSKNAPP
14. KNAPPEN ENTER/EQ

15. KNAPP FÖR UPPSPELNING/PAUS
16. STOPPKNAPP
17. KNAPP FÖR NED/SPOLNING BAKÅT
18. KNAPP FÖR UPP/SPOLNING FRAMÅT
19. KNAPPEN REC/DEL (INSPELNING/RADERING)
20. KNAPP FÖR CD-LUCKA ÖPPEN/STÅNGD
21. INSTÄLLNINGSKNAPP/UPPSPELNINGSLÄGE
22. PLASTFÖTTER
23. HÖGTALARE
24. KNAPP FÖR STANNA/MATA UT KASSETT
25. KASSETTMEKANISM
26. DAMMSKYDD
27. FÄSTE FÖR DAMMSKYDD
28. GÅNGJÄRN
29. PICKUP
30. PICKUP-HÅLLARE
31. VRED FÖR VAL AV VARVTAL 33 45/78 RPM
32. TONARM
33. Automatisk avstängning PÅ/AV
34. BRYTARE FÖR PAUS AV SKIVSPELARE
35. ADAPTER
36. SKIVSPELARE
37. FM/DAB-ANTENN
38. STRÖMBRYTARE (PÅ/AV)
39. AC-NÄTKABEL
- 40/41. LINJEUTGÅNGAR (H+ V)

FJÄRRKONTROLL

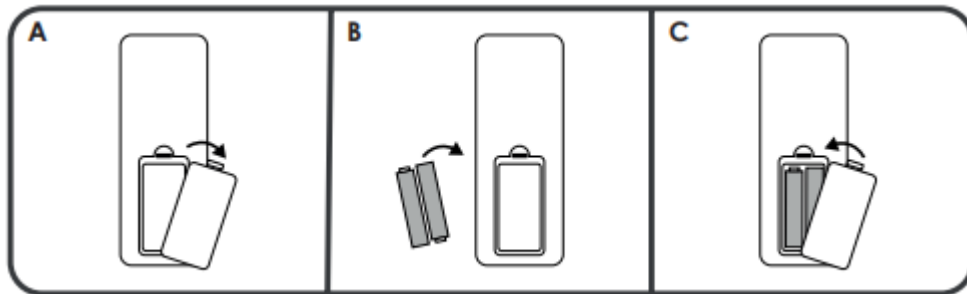
1. STRÖM PÅ/AV
2. ÖPPNA/STÅNG CD-LUCKA
3. REC: i läget CD/AUX IN/DAB/PHONO/KASSETT/BT: tryck för att aktivera inspelningsfunktionen.
4. RADERINGSKNAPP
5. FUNKTIONSKNAPP för att välja källa: CD/USB/BT/DAB/FM/KASSETT/PHONO/AUX IN.
6. STOPPKNAPP
7. REPEAT-KNAPP för att välja upprepad uppspelning (CD/USB).
8. PROGRAM: i CD/USB-läge. Tryck för att aktivera programmeringsfunktionen.
9. UPPSPELNING/PAUS/SKANNA: i läget CD/USB trycker du en gång för att starta uppspelningen, och trycker en gång till för att pausa. Starta en fullständig skanning i DAB eller FM.
10. KNAPP FÖR VOLYM+
11. KNAPP FÖR VOLYM-
12. KNAPP FÖR HOPPA BAKÅT/SPOLA BAKÅT
13. KNAPP FÖR HOPPA FRAMÅT/SPOLA FRAMÅT
14. SIFFROR 0–9
15. Knappen +10, för att välja tvåsiffriga nummer

16. KNAPPEN ENTER/EQ
17. MENYKNAPP
18. INFOKNAPP för visning av information i DAB/FM/CD.
19. FÖRINSTÄLLNINGSKNAPP, för att öppna listan med favoriter och gå till en viss station.
20. TIMERKNAPP: insomningstimer

Batterier till fjärrkontrollen

2 x AAA-batterier (ingår ej) behövs till den infraröda fjärrkontrollen

- A) Ta bort batteriluckan
- B) Sätt i 2 x AAA-batterier enligt markeringarna på fackets insida.
- C) Stäng luckan.



STRÖMFÖRSÖRJNING

Enheten drivs av nätspänning på 100–250 V och 50 Hz/60 Hz. Anslut nätkabeln till ett vanligt eluttag med växelström. Kontrollera att spänningen är den som anges på märkskylten på enhetens baksida.

Anslut enheten till elnätet. Ställ STRÖMBRYTAREN (PÅ/AV) (38) i läget ON (på) för att slå på enheten. Ställ STRÖMBRYTAREN (PÅ/AV) (38) i läget OFF (av) för att stänga av enheten.

Denna enhet har två driftlägen:

STANDBY-LÄGE: Displayen visar aktuell tid och högtalarna och bakgrundsbelysningen är avstängda.

UPPSPELNINGSLÄGE: Den blå bakgrundsbelysningen är på och du kan lyssna på musik.

Om inget ljud spelas upp övergår enheten automatiskt till STANDBY-LÄGE efter 15 minuter.

För att växla mellan UPPSPELNINGSLÄGE och STANDBY-LÄGE. Tryck en gång på volym-/strömknappen för PÅ, tryck en gång till på volym-/strömknappen för AV

INSTÄLLNINGAR FÖR INSOMNINGSLÄGE

1. Med denna funktion kan du lyssna på radio när du ska sova.
2. När du lyssnar på musik håller du TIMER (20 på fjärrkontrollen) intryckt och trycker på TIMER igen för att välja mellan OFF (av)/15/30/45/60/90.

Radion stängs av automatiskt efter den valda insomningstimern.

SYSTEMINSTÄLLNINGAR

Tryck på knappen MENU (10) (17 på fjärrkontrollen) i vilket läge som helst och välj SYSTEM:

- Alarm: välj detta alternativ för att ställa in alarmet.
- Time (tid): välj detta alternativ för att ställa in datum och tid.

- Backlight (bakgrundsbelysning): välj detta alternativ för att ändra timeout/påslagningsnivå/displaybelysning.
- Language (språk): välj detta alternativ för att ändra systemets språk.
- Factory Reset (fabriksåterställning): välj detta alternativ för att återställa enheten till fabriksinställningarna.
- Software Upgrade (programuppgradering): välj detta alternativ om en ny programversion släpps.
- SW version (programvaruversion): välj detta alternativ för att se aktuell programvaruversion.

TIDSINSTÄLLNING

1. Tryck på knappen MENU (10) (17 på fjärrkontrollen) och välj SYSTEM för att komma till alternativet Time (tid).
2. Ställa in tid/datum. Tryck på HOPPA+/- (17/18) (12/13 på fjärrkontrollen) flera gånger för att välja mellan 12- och 24-timmarsvisning. Tryck på knappen ENTER/EQ (14) (16 på fjärrkontrollen) igen för att bekräfta.
3. Timsiffrorna blinkar på displayen. Tryck på HOPPA+/- (17/18) (12/13 på fjärrkontrollen) flera gånger för att ställa in timmarna. Tryck på knappen ENTER/EQ (14) (16 på fjärrkontrollen) igen för att bekräfta.
4. Minutsiffrorna blinkar på displayen. Tryck på HOPPA+/- (17/16) (12/13 på fjärrkontrollen) flera gånger för att ställa in minuterna. Tryck på knappen ENTER/EQ (14) (16 på fjärrkontrollen) igen för att bekräfta.
5. Datumsiffrorna blinkar på displayen. Tryck på HOPPA+/- (17/18) (12/13 på fjärrkontrollen) flera gånger för att ställa in året. Tryck på knappen ENTER/EQ (14) (16 på fjärrkontrollen) igen för att bekräfta.
6. Månadssiffrorna blinkar på displayen. Tryck på HOPPA+/- (17/18) (12/13 på fjärrkontrollen) flera gånger för att ställa in månaden. Tryck på knappen ENTER/EQ (14) (16 på fjärrkontrollen) igen för att bekräfta.
7. Årssiffrorna blinkar på displayen. Tryck på HOPPA+/- (17/18) (12/13 på fjärrkontrollen) flera gånger för att ställa in dagen. Tryck på knappen ENTER/EQ (14) (16 på fjärrkontrollen) igen för att bekräfta.

STÄLLA IN ALARMET

1. Tryck på knappen MENU (10) (17 på fjärrkontrollen) och välj SYSTEM för att komma till alternativet Alarm, eller tryck på TIMER (20 på fjärrkontrollen) flera gånger för att välja Alarm 1 eller 2.
2. Tryck på knappen ENTER/EQ (14) (16 på fjärrkontrollen) för att påbörja alarminställningen. Du kan trycka på HOPPA (12 eller 13 på fjärrkontrollen) och knappen ENTER/EQ för att ställa in ON TIME (alarmtid), Duration (varaktighet), Alarm Source (alarmkälla), Alarm Frequency (alarmfrekvens) och Alarm Volume Level (alarmvolym), etc.
3. När alla inställningar är klara visas "Alarm Saved" (alarm sparad) och Alarmikon 1 eller 2 på displayen.
4. När Alarm OFF (alarm av) ställs in försvinner alarmikonen.

DAB-LÄGE

Tryck på funktionsknappen (4) (5 på fjärrkontrollen) flera gånger för att välja DAB-läge.

Tryck på HOPPA+/- (17/18) (12/13 på fjärrkontrollen) för att välja program.

DAB-MENY

Tryck på MENU (10) (17 på fjärrkontrollen) för att komma till alternativen.

- Full Scan (fullständning skanning): välj detta alternativ för att utföra en fullständig genomsökning av tillgängliga DAB-program. Du kan trycka på SKANNA (12) för att utföra samma åtgärd.
- Manual Tune (manuell inställning): välj detta alternativ för att välja DAB-frekvens manuellt.
- DRC: välj detta alternativ för att välja mellan DRC låg, DRC hög och DRC av.
- Prune (rensa): rensa bort otillgängliga stationer från stationslistan.

FÖRINSTÄLLNINGAR FÖR DAB

Högst 20 förinställda radiostationer kan programmeras.

- Håll PRESET (13) (19 på fjärrkontrollen) intryckt. PRESET STORE (lagra förinställningar) visas på displayen.
Tryck på HOPPA+/- (17/18) (12/13 på fjärrkontrollen) för att välja förinställningsnummer.
Tryck på ENTER (14) (16 på fjärrkontrollen) för att bekräfta.
- Tryck på PRESET (13) (19 på fjärrkontrollen) för att navigera mellan förinställningarna.

DAB-INFO

Tryck på INFO (11) (18 på fjärrkontrollen) flera gånger så visas följande information: NAME / KBPS / DATE / TIME (NAMN/KBPS/DATUM/TID).

VIKTIG INFORMATION ANGÅENDE MOTTAGNING MED DAB+

Radiomottagning med DAB+ skiljer sig från FM-radiomottagning.

- I FM kan du ofta ta emot en station med svag signal, men förmodligen med ett surrande eller sprakande ljud.
- Mottagning med DAB+ fungerar digitalt, och om det inte finns tillräckligt med signal hör du ingenting. Inget sus eller knaster som med FM. Det beror inte på radion, utan på att det inte finns tillräckligt med signal för DAB+ på den platsen.
- Regeln för DAB + är: ingen eller svag mottagning = inget ljud.

Vad kan du göra om du inte har någon mottagning med DAB+.

- Rikta alltid antennen rakt upp/vertikalt först.
- Placera inte radion för nära potentiella störningskällor som batteriladdare, roterande maskiner, datorer, stora metallytor etc.
- Flytta radion några meter bort.
- Starta radion och aktivera en full sökning i menyn för DAB+.

- På radions display kommer du att se hur sökningen fortsätter och antalet stationer som finns på radions aktuella position.

Viktigt

- Med mottagning via DAB+ kan det vara väldigt stor skillnad på mottagningsnivån mellan en plats och "några meter bort". Om den lokala signalen för DAB+ är svag flyttar du radion för att hitta en starkare signal.
- Om du flyttar radion till en annan plats gör du en fullständig sökning igen. Detta visar vilka stationer med DAB+ som kan tas emot där.

FM-LÄGE

Tryck på funktionsknappen (4) (5 på fjärrkontrollen) flera gånger för att välja FM-läge.

Vrid på INSTÄLLNINGSRATTEN (21) för att välja frekvens manuellt.

FM-MENY

Tryck på MENU (10) (17 på fjärrkontrollen) för att komma till alternativen.

- Scan setting (skanningsinställning): välj detta alternativ för att välja mellan att skanna alla stationer eller bara de stationer som har stark signal.
- Audio Setting (ljudinställning): välj detta alternativ för att välja mellan att tvinga fram monoljud eller tillåta stereoljud.

FÖRINSTÄLLNINGAR FÖR FM

Se anvisningarna för FÖRINSTÄLLNINGAR FÖR DAB.

FM-INFO

Tryck på INFO (11) (18 på fjärrkontrollen) flera gånger så visas följande information: KIND OF PROGRAM/FREQUENCY/AUDIO/DATE/TIME (TYP AV PROGRAM/FREKVENNS/ljud/DATUM/TID).

LYSSNA PÅ KASSETTBAND

1. Tryck på funktionsknappen (4) (5 på fjärrkontrollen) flera gånger för att välja läget TAPE (kassett).
2. Sätt i ett kassettband i enheten. Systemet startar uppspelningen automatiskt efter att ett kassettband har satts i.
3. Tryck in knappen FFD/EJ (24) halvvägs under uppspelning. Kassetten spolas framåt. Tryck på FFD/EJ (24) igen för att återuppta uppspelningen.
4. Tryck in FFD/EJ (24) helt så matas kassettbandet matas ut genom KASSETTMEKANISMEN (25).

SPELA UPP EN CD-SKIVA

1. Tryck på funktionsknappen (4) (5 på fjärrkontrollen) flera gånger för att välja CD-läge.
2. Tryck på KNAPPEN FÖR CD-LUCKA ÖPPEN/STÄNGD (20) (2 på fjärrkontrollen) för att öppna CD-luckan. Placera en CD-skiva med den tryckta sidan uppåt inuti facket och stäng sedan CD-luckan. Det första spåret börjar spelas upp.

- Tryck på HOPPA +/- (17/18) (12/13 på fjärrkontrollen) för att välja dina favoritlåtar. Om du håller in HOPPA +/- (17/18) (12/13 på fjärrkontrollen) spelas spåret snabbt bakåt eller framåt tills du släpper knappen.
- Tryck på UPPSPELNING/PAUS (15) (9 på fjärrkontrollen) för att pausa uppspelningen. Spårets nummer börjar blinka. Tryck på UPPSPELNING/PAUS (15) (9 på fjärrkontrollen) igen för att återuppta uppspelningen.
- Tryck på STOPP (16) (6 på fjärrkontrollen) för att stoppa uppspelningen.

UPPREPAD/SLUMPMÄSSIG UPPSPELNING

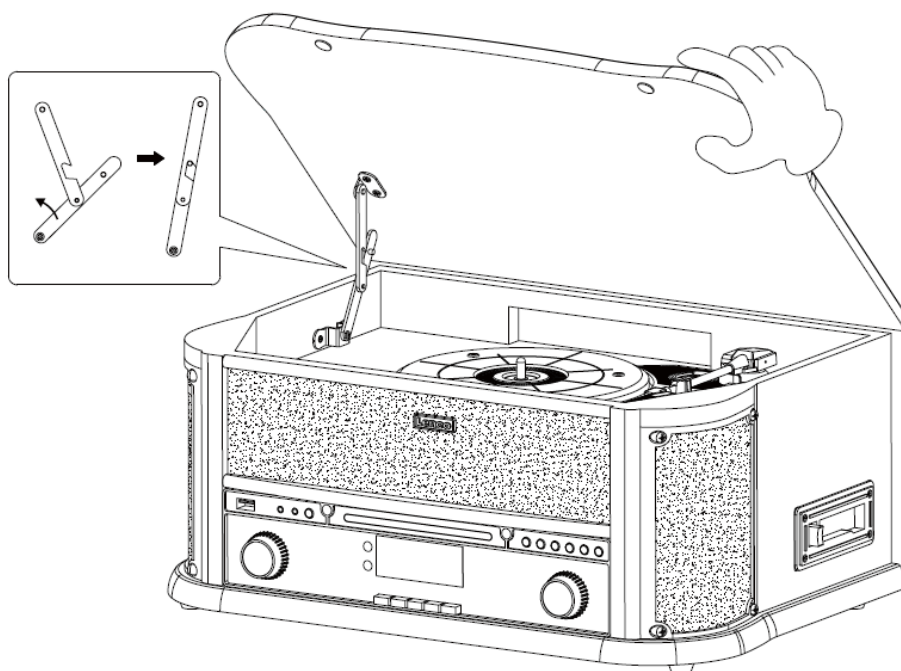
Under uppspelning från CD/USB kan du trycka på (7) på fjärrkontrollen flera gånger för att välja:

- Repeat1 (upprepa1): Det aktuella spåret spelas upp flera gånger.
- Repeat DIR (upprepa mapp): Den aktuella mappen spelas upp flera gånger.
- Repeat all (upprepa alla): Alla spår spelas upp flera gånger.
- SHUFFLE: ett slumpmässigt urval av skivans spår.
- INTRO: för att höra de första tio sekunderna av ett spår.

CD-PROGRAMMERING

Det går att programmera upp till 99 spår så att de spelas upp i vilken ordning som helst.

1. Sätt i en skiva och tryck på STOPP (16) (6 på fjärrkontrollen) när den börjar spelas.
2. Tryck på (8) på fjärrkontrollen. "P01" visas på displayen.
3. Tryck på HOPPA +/- (17/18) (12/13 på fjärrkontrollen) för att välja dina favoritlåtar.
4. Tryck på (8) på fjärrkontrollen för att lagra spåret i programminnet. "P02" visas på displayen.
5. Upprepa steg 3–4 för att välja och lagra alla önskade spår.
6. Tryck på UPPSPELNING/PAUS (15) (9 på fjärrkontrollen) för att starta den programmerade uppspelningen.
7. Tryck på STOPP (16) (6 på fjärrkontrollen) en gång för att starta den programmerade uppspelningen. Tryck på STOPP (16) (6 på fjärrkontrollen) två gånger för att rensa programmeringen.



Så öppnas/stängs skivspelarens lock

Öppna:

- Lyft skivspelarens lock helt till det tar stopp.
- Sänk locket långsamt till spärren hakar fast. Dra manuellt i den nedre stängen om spärren inte hakar fast.
- Locket blir nu öppet.

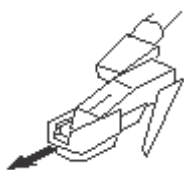
Stänga

- Lyft lock helt till det tar stopp.
- Spärren bör frigöras. Sänk locket långsamt. Tryck manuellt ut den nedre stängen om spärren inte frigörs.
- Se till att hålla locket försiktigt för att undvika att klämma fingrarna när det stängs.

LYSSNA PÅ SKIVOR

MYCKET VIKTIGT! (Detta finns endast på den stora skivspelaren med denna funktion)

1. Tryck på MODE (4) (5 på fjärrkontrollen) flera gånger för att välja läget PHONO.
2. Öppna skivspelarens lock. Lossa tonarmens klämma och ta bort nålskyddet.



Placera en skiva på skivspelaren över den centrala spindel. Placera EP-adaptorn över den centrala spindel när EP-skivor på 17 cm spelas upp.

3. Ställ in VREDET FÖR VAL AV VARVTAL (31) på 33/45/78 varv beroende på skivan.
4. Lyft tonarmen med dess lyftspak. Flytta tonarmen till början av skivan eller till början av ett visst spår. Sänk försiktigt ned tonarmen på skivan med dess lyftspak för att börja spela upp.
5. När skivan är färdig, stannar tonarmen automatiskt. För att stoppa manuellt, lyft tonarmen från skivan och placera den tillbaka på sitt stöd.
6. Att flytta eller skaka på skivspelaren utan att fästa tonarmens klämma kan skada tonarmen. Placera skyddet på nålen när den inte används.

Montera nålen

1. Håll i spetsen på nålen och för in den genom att trycka såsom visas på bild "B".
2. Tryck nålen uppåt i den riktning som visas på bild "C" till den låses fast på plats.



OBS

Vi råder dig att rengöra skivor med en antistatisk trasa för att få ut maximal upplevelse från dem. Vi rekommenderar, av samma orsak, att nålen bör bytas med jämna mellanrum (cirka varje 25 uppspelningstimmar).

AUX-IN

Denna enhet har en extra ljudingång för anslutning av externa ljudenheter, t. ex. MP3-spelare och CD-spelare, som gör att du kan spela upp en extern källa via systemets högtalare.

1. Använd en ljudkabel (ingår ej) med RCA-stereokontakt i ena änden. Anslut ena änden till AUX-IN-uttaget på huvudenheten och anslut kabelns andra ände till LINE OUT- eller HÖRLURS-uttaget på din externa ljudenhet.
2. Slå på enheten och den externa ljudenheten. Tryck på funktionsknappen (4) (5 på fjärrkontrollen) flera gånger för att välja AUX IN-läge
3. Starta uppspelningen på den externa enheten (se den enhetens bruksanvisning).

ANVÄNDA BLUETOOTH

1. Tryck på funktionsknappen (4) flera gånger för att välja BLUETOOTH-funktionen. "Bluetooth" visas på displayen.
2. Välj Bluetooth-namnet Lenco TCD-2571WD på din bärbara enhet (smarttelefon, surfplatta) och bekräfta sedan anslutningen.
3. När parkopplingen har lyckats slutar lysdioden att blinka.
4. Nu kan du föra över musiken till Lenco TCD-2571WD och alla funktioner kan endast styras från din mobila enhet.

Den här produkten använder frekvensintervallet 2400–2483,5 MHz och är endast avsedd att användas i en vanlig hushållsmiljö. Denna produkt är lämplig för detta ändamål inom alla EU-länder.

AVKODA FRÅN RADIO/DAB-RADIO

Anslut USB-minnet i USB-uttaget. Tryck på funktionsknappen (4) (5 på fjärrkontrollen) för att ställa in enheten på DAB- eller FM-läge. Använd inställningskontrollen för att ställa in eller tryck på HOPPA+/- (17/18) (12/13 på fjärrkontrollen) på den station du vill spela in sändningen från. Tryck på knappen REC/DEL (19) (3 på fjärrkontrollen) två gånger för att starta inspelningen så börjar "REC" blinka på displayen. Tryck på STOPP-knappen (16) (6 på fjärrkontrollen) för att stoppa inspelningen.

AVKODA FRÅN CD-SKIVA

Anslut USB-minnet i USB-uttaget. Tryck två gånger på knappen REC/DEL (19) (3 på fjärrkontrollen) under när en CD spelas upp. "ONE" (en) blinkar på displayen, vilket betyder att vi kan välja att spela in den låt som spelas för tillfället. Om du vill välja att spela in hela CD-skivan trycker du på knappen Hoppa framåt så börjar "ALL" (alla) att blinka på displayen. Tryck på knappen REC/DEL igen för att börja spela in. Tryck på STOPP-knappen (16) (6 på fjärrkontrollen) för att stoppa inspelningen.

AVKODA FRÅN CD-MP3

Förfarandet för att spela in från en CD med MP3-filer är detsamma som ovan, men istället för ljud-CD trycker du på knappen Hoppa framåt om du vill välja hela filmappen som ska spelas in (om CD-skivan har flera mappar). "REC-FOLDER" börjar blinka på displayen. Tryck på knappen REC/DEL igen för att starta inspelningen. Tryck på STOPP-knappen (16) (6 på fjärrkontrollen) för att stoppa inspelningen.

AVKODA FRÅN KASSETT

Anslut USB-minnet i USB-uttaget. Tryck på knappen REC/DEL (19) (3 på fjärrkontrollen) två gånger när en kassett spelas upp för att starta inspelningen. "REC" börjar blinka på displayen. Tryck på STOPP-knappen (16) (6 på fjärrkontrollen) för att stoppa inspelningen.

AVKODA FRÅN PHONO

Anslut USB-minnet i USB-uttaget. När en skiva spelas upp flyttar du tonarmen över önskad plats på skivan och sänker den på skivan. Tryck på knappen REC/DEL (19) (3 på fjärrkontrollen) två gånger för att starta inspelningen. "REC" börjar blinka på displayen. Tryck på STOPP-knappen (16) (6 på fjärrkontrollen) för att stoppa inspelningen.

AVKODA FRÅN BLUETOOTH

Anslut USB-minnet i USB-uttaget. Tryck på knappen REC/DEL (19) (3 på fjärrkontrollen) två gånger i Bluetooth-läge för att starta inspelningen. "REC" börjar blinka på displayen. Tryck på STOPP-knappen (16) (6 på fjärrkontrollen) för att stoppa inspelningen.

AVKODA FRÅN AUX

Anslut USB-minnet i USB-uttaget. Ändra den externa signalkällan till uppspelning och tryck på knappen REC/DEL (19) (3 på fjärrkontrollen) två gånger i AUX-läge för att starta inspelningen. "REC" börjar blinka på displayen. Tryck på STOPP-knappen (16) (6 på fjärrkontrollen) för att stoppa inspelningen.

UPPSPELNING FRÅN USB

1. Sätt i USB-enheten i USB-ingången.
2. Tryck på funktionsknappen (4) (5 på fjärrkontrollen) flera gånger för att välja USB-läge.
3. Enheten börjar läsa av enheten automatiskt efter anslutningen.
4. Använd samma förfarande som för CD för att lyssna på USB-enheten.

RADERA USB

1. Håll REC/DEL (19) (4 på fjärrkontrollen) intryckt under uppspelning. "DEL" visas på displayen.
2. Tryck på HOPPA-/+ (17/18) (12/13 på fjärrkontrollen) flera gånger för att välja mellan ONE/FOLDER/ALL (en/mapp/alla).
3. Tryck på REC/DEL (19) (4 på fjärrkontrollen) igen för att bekräfta.

ANVÄNDA EQ (EQUALIZER)

Tryck på knappen ENTER/EQ (16 på fjärrkontrollen) under uppspelning för att välja mellan olika ljudlägen bland FLAT/POP/CLASSIC/ROCK/JAZZ/BASS (utjämnad/pop/klassiskt/rock/jazz/bas).

SPECIFIKATIONER

AC: 100–250 V, 50 Hz/60 Hz

FM: 87,5 - 108 MHz

DAB-band: BAND III

Utformning och specifikationer kan ändras utan föregående meddelande.

Garanti

Commaxx B.V. erbjuder service och garanti i enlighet med europeisk lagstiftning, vilket innebär att du, vid reparationer (både under och efter garantins giltighetsperiod) ska kontakta din lokala återförsäljare.

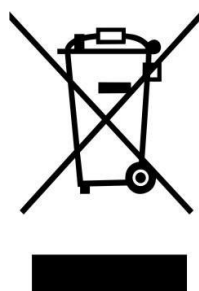
Viktigt: Det är inte möjligt att skicka produkter som behöver repareras direkt till Commaxx B.V.

Viktigt: Om denna enhet öppnas eller görs åtkomlig av ett icke officiellt servicecenter på något sätt, utgår garantin.

Denna enhet är inte lämplig för yrkesmässig användning. Vid yrkesmässig användning, upphör samtliga garantier från tillverkaren att gälla.

Friskrivningsklausul

Uppdateringar av hård mjukvara och/eller hårdvarukomponenter görs regelbundet. Därmed kan vissa anvisningar, specifikationer och bilder i denna dokumentation skilja sig något från din särskilda situation. Alla artiklar beskrivna in denna guide är endast för illustration och kan inte tillämpas på någon speciell situation. Inga juridiska rättigheter eller anspråk kan erhållas från beskrivningen i denna manual.



Bortskaffande av gammal enhet

Denna symbol anger att den relevanta elektriska produkten eller batteriet ska inte kasseras i det allmänna hushållsavfallet i Europa. När den korrekta avfallsbehandlingen för produkten och batteriet ska säkerställas, ska elektrisk utrustning eller batterier kasseras i enlighet med varje krav på tillämplig lokal lagstiftning. Genom detta handlande, bidrar du till att återvinna naturresurser och förbättra normer för miljöskydd och kassering av elektrisk avfall (elektrisk och elektronisk utrustning).

FÖRSÄKRAN OM ÖVERENSSTÄMMELSE

Härmed intygar Commaxx att radioutrustningen av typen [Lenco TCD-2571] överensstämmer med direktiv 2014/53/EU. Den fullständiga texten gällande EU-försäkran om överensstämmelse finns på följande internetadress:

https://commaxx-certificates.com/doc/tcd-2571_doc.pdf

RF-typ	Frekvensintervall (MHz)	Effekt (dBm)
Bluetooth	2402 – 2480	< 6
DAB	174 – 240	-
FM	87,5 – 108	-

Service

För mer information och support via vår helpdesk går du till www.lenco.com
Commax B.V. Wiebachstraat 37, 6466 NG Kerkrade, The Netherlands.

HUOMIO:

Muiden kuin tässä oppaassa määritettyjen säätimien tai säätöjen käyttö tai muiden toimenpiteiden suorittaminen voi johtaa vaaralliseen säteilylle altistumiseen.

VAROTOIMET ENNEN KÄYTTÖÄ**PIDÄ NÄMÄ OHJEET MIELESSÄ:**

1. Älä peitä tai tuki mitään tuuletusaukkoja. Kun laitat laitteen hyllylle, jätä 5 cm vapaata tilaa laitteen ympärille.
2. Asenna mukana toimitetun käyttöoppaan mukaisesti.
3. Pidä laite etäällä lämmönlähteistä, kuten pattereista, lämmittimistä, uuneista, kynttilöistä ja muista lämpöä tuottavista tuotteista tai avotulesta. Laitetta voidaan käyttää vain lauhkeassa ilmastossa. Äärimmäisen kylmiä tai lämpimiä ympäristöjä tulee välttää. Käyttölämpötila-alue on 0–35 °C.
4. Vältä laitteen käyttämistä lähellä voimakkaita magneettikenttiä.
5. Sähköstaattinen purkaus voi häiritä laitteen normaalia käyttöä. Jos näin on, nollaa ja käynnistä laite yksinkertaisesti käyttöohjeen mukaisesti. Käsittele tiedostoja lähetyksen aikana varoen ja ympäristössä, jossa ei ole staattista sähköä.
6. Varoitus! Älä koskaan työnnä mitään esinettä tuotteeseen tuuletusaukkojen tai muiden aukkojen kautta. Korkea jännite virtaa tuotteen läpi ja esineen työntäminen sisälle voi aiheuttaa sähköiskun ja/tai oikosulun sisäosista. Samasta syystä älä kaada vettä tai nestettä tuotteen päälle.
7. Älä käytä märissä tai kosteissa tiloissa, kuten kylpyhuoneissa, höyryisissä keittiössä tai uima-altaiden lähellä.
8. Laitetta ei saa altistaa pisaroille tai roiskeille. Nesteitä sisältäviä esineitä, kuten maljakkoja, ei saa asettaa laitteen päälle tai sen lähelle.
9. Älä käytä tätä laitetta, jos kosteuden tiivistymistä voi tapahtua. Jos laitetta käytetään lämpimässä, kosteassa tilassa, vesipisaroita tai kondensaatiota voi esiintyä laitteen sisällä, eikä laite ehkä toimi oikein. Kytke laite pois päältä 1–2 tunniksi ennen kuin kytket virran uudelleen päälle: laitteen pitää olla kuiva ennen virran kytkemistä.
10. Vaikka tämä laite on valmistettu erittäin huolellisesti ja tarkistettu useita kertoja ennen tehtaalta toimittamista, on silti mahdollista, että ongelmia voi esiintyä, kuten kaikissa sähkölaitteissa. Jos huomaat savua, liiallista lämmön kertymistä tai muita odottamattomia ilmiöitä, irrota pistoke välittömästi pistorasiasta.
11. Tätä laitetta on käytettävä virtalähteellä, joka vastaa teknisiä tietoja. Jos et ole varma kodissasi käytettävästä virtalähteestä, ota yhteys jälleenmyyjään tai paikalliseen sähköyhtiöön.
12. Suojaa eläimiltä. Eläimet voivat pureskella virtajohtoja.
13. Käytä laitteen puhdistamiseen pehmeää, kuivaa liinaa. Älä käytä liuottimia tai bensiinipohjaisia tuotteita.
Voimakkaiden tahrojen poistamiseksi voit käyttää laimeaan pesuaineeseen kostutettua liinaa.
14. Toimittaja ei ole vastuussa vahingoista tai kadonneista tiedoista, jotka johtuvat toimintahäiriöistä, väärinkäytöstä, laitteen muutoksista tai paristojen vaihdosta.
15. Älä katkaise yhteyttä, kun laite alustaa tai siirtää tiedostoja. Muussa tapauksessa tiedot voivat vioittua tai kadota.
16. Jos laitteessa on USB-toistotoiminto, USB-muistitikku on kytkettävä suoraan laitteeseen. Älä käytä USB-jatkojohtoa, koska se voi aiheuttaa häiriöitä ja johtaa tietojen menettämiseen.
17. Arvokilpi on merkitty laitteen pohjaan tai takapaneeliin.
18. Tätä laitetta ei ole tarkoitettu sellaisten henkilöiden (mukaan lukien lapset) käyttöön, joilla on fyysisiä, aistinvaraisia tai henkisiä häiriöitä tai joilla ei ole kokemusta tai tietoa, jolle heidän turvallisuudestaan vastaava henkilö valvo heitä tai ole antanut heille ohjeita laitteen käytöstä.
19. Tämä tuote on tarkoitettu yksityiskäyttöön, ei kaupalliseen tai teolliseen käyttöön.
20. Varmista, että yksikkö on säädetty vakaaseen asentoon. Takuu ei kata vahinkoja, jotka aiheutuvat tuotteen käytöstä epävakaassa asennossa, tärinästä tai iskuista tai tässä käyttöoppaassa olevien varoitusten tai varotoimien noudattamatta jättämisestä.

21. Älä koskaan poista laitteen koteloa.
22. Älä koskaan aseta laitetta muiden sähkölaitteiden päälle.
23. Pidä muovipussit poissa lasten ulottuvilta.
24. Käytä vain valmistajan määrittelemiä lisäosia/lisävarusteita.
25. Jätä huolto pätevän huoltohenkilön suoritettavaksi. Huoltoa tarvitaan, kun laite on jotenkin vaurioitunut, esimerkiksi virtajohto tai pistoke on vaurioitunut, nestettä on roiskunut tai esineitä on pudonnut laitteeseen, laite on altistunut sateelle tai kosteudelle, se ei toimi normaalisti tai se on pudonnut.
26. Pitkäaikainen altistuminen musiikkisoittimien voimakkaille äänille voi johtaa tilapäiseen tai pysyvään kuulonmenetykseen.
27. Jos tuotteen mukana tulee virtajohto ja vaihtovirtaverkkolaite:
 - Jos ilmenee ongelmia, irrota vaihtovirtajohto ja ota yhteys pätevään henkilöstöön.
 - Älä astu verkkolaitteen päälle tai jätä sitä puristuksiin. Ole erittäin varovainen, erityisesti pistokkeiden ja kaapelin ulostulokohdan lähellä. Älä laita raskaita esineitä verkkolaitteen päälle, ne voivat vaurioittaa sitä. Pidä laite kokonaisuudessaan poissa lasten ulottuvilta! Virtajohdolla leikkiessään he voivat loukkaantua vakavasti.
 - Irrota laitteen virtajohto ukkosmyrskyn aikana tai kun sitä ei käytetä pitkään aikaan.
 - Pistorasian tulee sijaita lähellä laitetta ja siihen tulee päästä helposti käsiksi.
 - Älä ylikuormita pistorasioita tai jatkojohtoja. Ylikuormitus saattaa aiheuttaa tulipalon tai sähköiskun.
 - Luokan 1 mukaiset laitteet on kytkettävä suojamaadoitettuun pistorasiaan.
 - Luokan 2 mukaiset laitteet eivät vaadi maadoitettua liitäntää.
 - Pidä aina kiinni pistokkeesta, kun vedät sen irti pistorasiasta. Älä vedä virtajohdosta. Se voi aiheuttaa oikosulun.
 - Älä käytä vaurioitunutta virtajohtoa tai pistoketta tai löysää pistorasiaa. Ne saattavat aiheuttaa sähköiskun.
28. Jos tuote tai sen mukana tuleva kaukosäädin sisältää nappiparistoja:

Varoitus:

 - ”Älä niele paristoja tai akkuja. Kemiallisen palovamman vaara” tai vastaava.
 - [Mukana toimitettu kauko-ohjain] Tämä tuote sisältää nappipariston. Jos nappiparisto nielläään, se voi aiheuttaa vakavia sisäisiä palovammoja jo kahdessa tunnissa, ja voi johtaa kuolemaan.
 - Pidä sekä uudet että vanhat paristot ja akut poissa lasten ulottuvilta.
 - Jos paristolokero ei sulkeudu kunnolla, lopeta tuotteen käyttö ja pidä tuote poissa lasten ulottuvilta.
 - Jos epäilet, että paristoja tai akkuja on nielty tai työnnetty johonkin kehon aukkoon, hakeudu välittömästi lääkäriin.
29. Huomio paristojen tai akkujen käytöstä:
 - Räjähdyksivaara, jos paristo tai akku asetetaan väärin. Vaihda vain samanlaiseen tai vastaavaan tyyppiseen.
 - Paristoa tai akkua ei saa altistaa korkeille tai matalille ääriämpötiloille tai matalalle ilmanpaineelle suurissa korkeuksissa käytön, varastoinnin tai kuljetuksen aikana.
 - Pariston tai akun vaihtaminen väärän tyyppiseen voi johtaa räjähdykseen tai syttyvän nesteen tai kaasun vuotamiseen.
 - Paristojen tai akkujen hävittäminen tuleen tai kuumaan uuniin tai paristojen tai akkujen mekaaninen murskaaminen tai leikkaaminen voi johtaa räjähdykseen.
 - Paristojen tai akkujen jättäminen erittäin kuumaan ympäristöön voi johtaa räjähdykseen tai syttyvän nesteen tai kaasun vuotamiseen.
 - Paristojen tai akkujen altistaminen erittäin matalalle ilmanpaineelle voi johtaa räjähdykseen tai syttyvän nesteen tai kaasun vuotamiseen.
 - Ympäristönsuojeluun liittyvät asiat on huomioitava paristojen ja akkujen hävittämisessä.

ASENTAMINEN

- Pura kaikki osat pakkauksesta ja poista suojamateriaalit.
- Älä yhdistä laitetta sähkövirtaan ennen kuin tarkistat jännitteen ja ennen kuin kaikki liitännät on tehty.

VAROITUS

Luokan 1 lasertuote

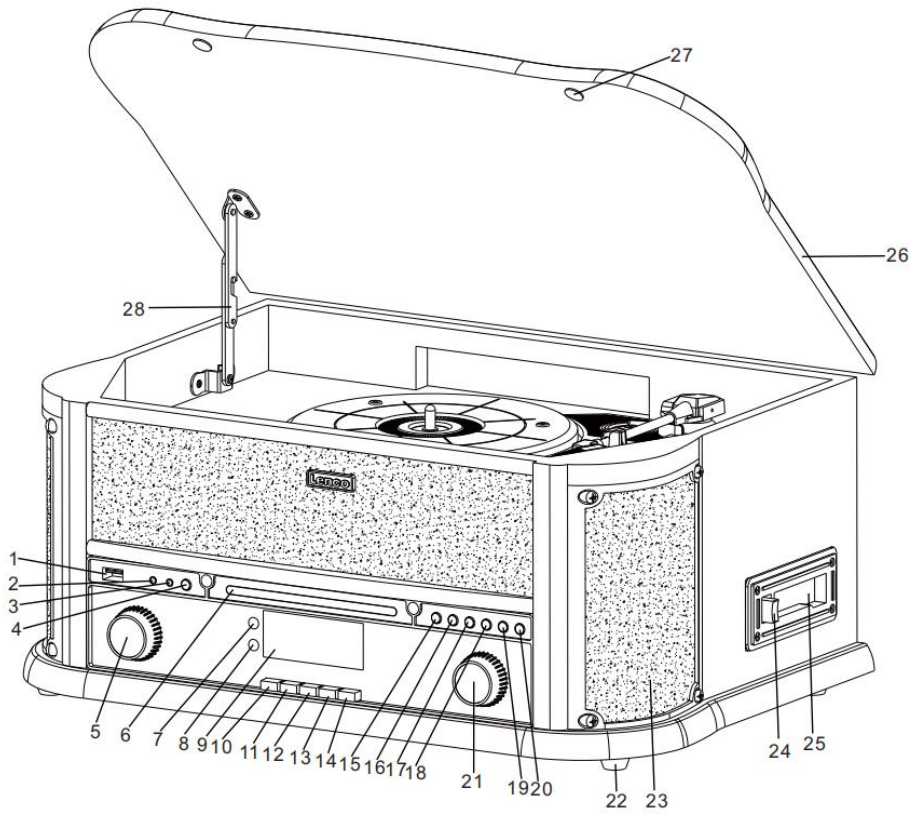
LUOKAN 1 LASERTUOTE
APPAREIL Á LASER DE CLASSE 1
PRODUCTO LASER DE CLASE 1

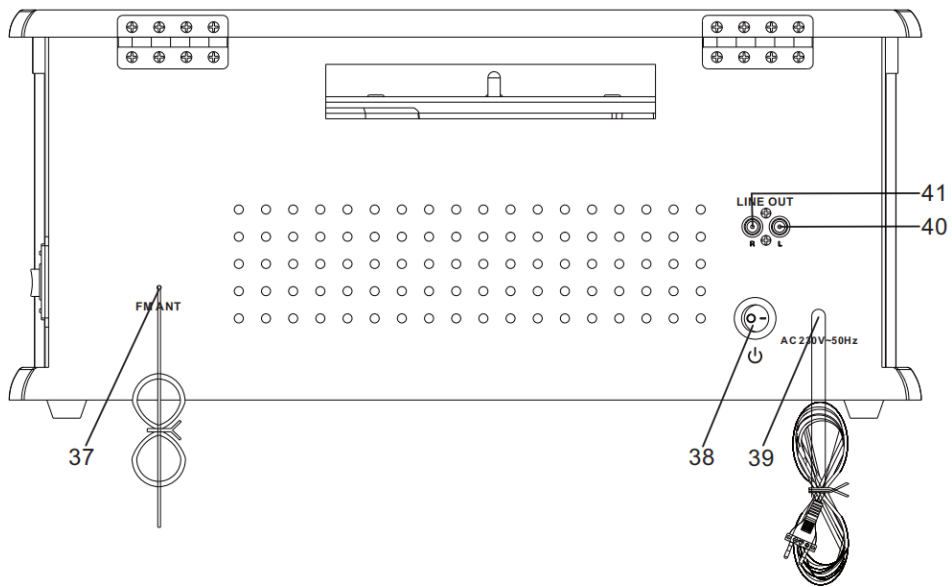
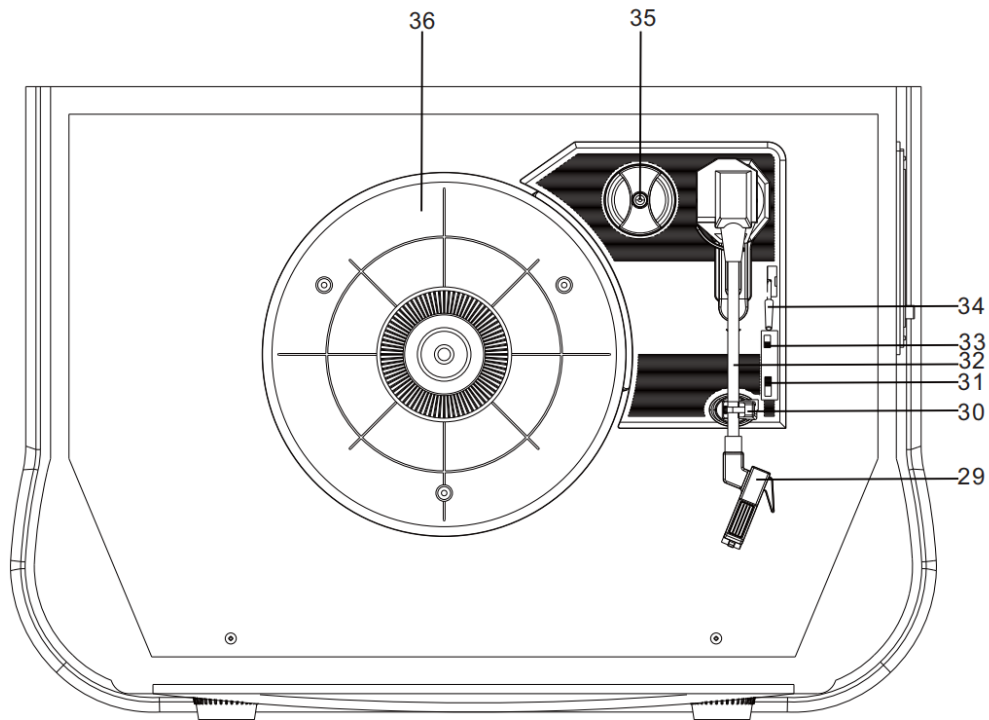
HUOMIO
NÄKYMÄTÖNTÄ LASERSÄTEILYÄ
KUN AUKI JA LUKITUKSET ON
OHITETTU.
VÄLTÄ ALTISTUMISTA SÄTEELLE

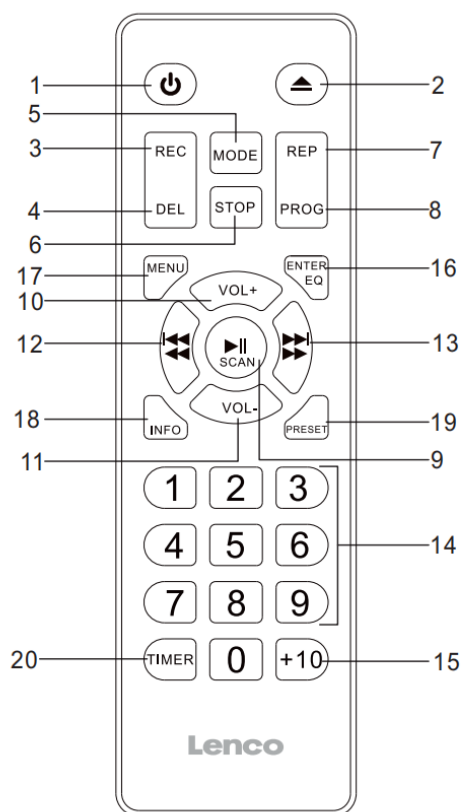


Tämä tuote sisältää matalatehoisen laserlaitteen.

Varoitus: Älä koske linssiin.







Uusi laitteesi on valmistettu ja koottu tiukan standardin laadunvalvonnan alaisena. Kiitos, että ostit tuotteemme nauttiaksesi musiikista. Lue tämä käyttöopas huolellisesti ennen laitteen käyttöä. Säilytä se tulevia tarpeita varten.

SÄÄTIMIEN SIJAINNIT

1. USB-LIITÄNTÄ
2. 3,5 MM:N AUX-IN-LIITÄNTÄ
3. 3,5 MM:N KUULOKELIITÄNTÄ
4. TOIMINTOPAINIKE (DAB/FM/BLUETOOTH/CD/USB/PHONO/KASETTI/AUX)
5. ÄÄNENVOIMAKKUUSNUPPI/VALMIUSTILA
6. CD-LUUKKU
7. KAUKOSÄÄTIMEN ANTURI
8. VIRRRAN LED-MERKKIVALO
9. LCM-NÄYTTÖ
10. VALIKKOPAINIKE
11. TIETOPAINIKE
12. HAKUPAINIKE
13. ESIASETUSPAINIKE
14. ENTER/EQ-PAINIKE

15. TOISTO-/TAUKOPAINIKE
16. PYSÄYTYS-PAINIKE
17. ALAS/PIKAKELAUS TAAKSEPÄIN -PAINIKE
18. YLÖS/PIKAKELAUS ETEENPÄIN -PAINIKE
19. REC/DEL (TALLENNUSPAINIKE/POISTOPAINIKE)
20. CD-KANNEN AVAUS-/SULKEMISPAINIKE
21. VIRITYSPAINIKE/TOISTOTILA
22. MUOVINEN JALKATYÖNY
23. KAIUTTIMIT
24. KASETIN PYSÄYTYS-/POISTOPAINIKE
25. KASETTIMEKANISMI
26. PÖLYKANSI
27. PÖLYKANNEN PEHMUSTE
28. SARANA
29. ÄÄNIRASIA
30. ÄÄNIVARREN PIDIKE
31. 33/45/78 RPM:N NOPEUDEN VALITSIN
32. ÄÄNIVARSI
33. Automaattinen pysäytys PÄÄLLE/POIS
34. LEVYSOITTIMEN TAUOKYTKIN
35. SOVITIN
36. LEVYSOITIN
37. FM-/DAB-ANTENNI
38. VIRTAKYTKIN
39. AC-VIRTAJOHTO
- 40/41. LINJALÄHTÖLIITÄNNÄT (R+L)

KAUKOSÄÄDIN

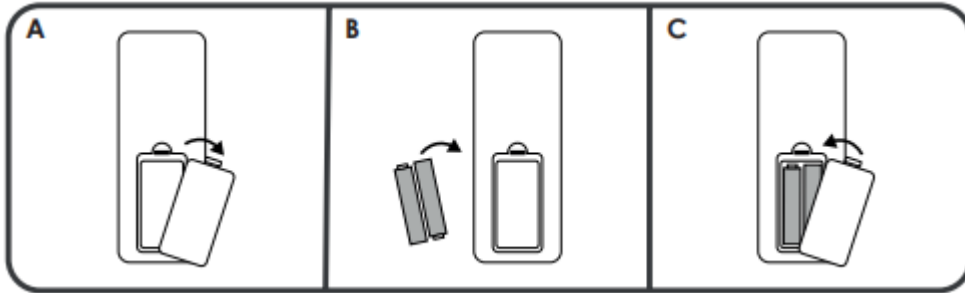
1. VIRTA PÄÄLLE/POIS
2. CD-KANNEN AVAAMINEN/SULKEMINEN
3. TALLENNUS: tallennustoiminnon aktivointi CD-/AUX IN-/DAB-/PHONO-/KASETTI-/BLUETOOTH-tilassa.
4. POISTOPAINIKE
5. TILAPAINIKE lähteen valitsemiseksi CD/USB/BLUETOOTH/DAB/FM/KASETTI/PHONO/AUX IN.
6. PYSÄYTYS-PAINIKE
7. TOISTA UUELLEEN -PAINIKE uudelleen toiston valitsemiseksi (CD/USB).
8. OHJELMA: CD-/USB-tilassa, painamalla aktivoit ohjelmointitoiminnon.
9. TOISTO/TAUKO/HAKU: CD-/USB-tilassa, painamalla aloitat toiston, painamalla uudelleen siirryt taukotilaan.
Käynnistä täysi haku DAB- tai FM-tilassa.
10. ÄÄNENVOIMAKKUUS + -PAINIKE
11. ÄÄNENVOIMAKKUUS - -PAINIKE
12. OHITA- PAINIKE/TAAKSEPÄIN-PAINIKE
13. OHITA+ PAINIKE/PIKAKELAUS ETEENPÄIN -PAINIKE
14. NUMERONÄPPÄIMET 0–9
15. 10+ -kappalepainike 2-numeroisen luvun valitsemiseksi.

16. ENTER/EQ-PAINIKE
17. VALIKKOPAINIKE
18. TIETOPAINIKE näyttää DAB-/FM-/CD-tiedot.
19. ESIASETUSPAINIKE avaa suosikkiluettelon ja noutaa aseman.
20. AJASTINPAINIKE: uniajastin

Kaukosäätimen paristot

Infrapunakaukosäädin vaatii 2 AAA-paristoa (ei mukana)

- A) Poista paristolokeron kansi.
- B) Aseta 2 AAA-paristoa lokeron sisällä olevien merkintöjen mukaisesti.
- C) Sulje lokero.



VIRTALÄHDE

Tämä laite toimii 100–250 V ~ 50/60 Hz verkkovirralla. Yhdistä vaihtovirtajohto kotitalouden vaihtovirtapistorasiaan. Varmista, että jännite vastaa laitteen takana olevassa arvokilvessä ilmoitettua jännitettä.

Yhdistä laite virtalähteeseen. Kytke laite päälle asettamalla VIRTAKYTKIN (38) PÄÄLLE-asentoon.

Kytke laite pois päältä asettamalla VIRTAKYTKIN (38) POIS PÄÄLTÄ -asentoon.

Tässä laitteessa on kaksi toimintatilaa:

VALMIUSTILA: Näytössä näkyy nykyinen kellonaika ja kaiuttimet ja taustavalo ovat pois päältä.

TOISTOTILA: Sininen taustavalo palaa ja voit kuunnella musiikkia.

Jos ääntä ei kuulu, laite siirtyy automaattisesti VALMIUSTILAAN 15 minuutin kuluttua.

TOISTOTILAN ja VALMIUSTILAN välillä vaihtaminen,. Painamalla äänenvoimakkuus/virtanappia kerran on PÄÄLLE, painamalla äänenvoimakkuus/virtanappia toisen kerran on POIS PÄÄLTÄ

LEPOTILA-ASETUS

1. Tämä toiminto mahdollistaa nukahtamisen radiota kuunnellen.
2. Kun kuuntelet musiikkia, pidä AJASTIN (20 kaukosäätimessä) painettuna ja paina AJASTIN uudelleen valitaksesi välillä OFF/15/30/45/60/90.

Radio kytkeytyy automaattisesti pois päältä valitun uniajastinajan jälkeen.

JÄRJESTELMÄASETUKSET

Paina kaikissa tiloissa VALIKKO-painiketta (10) (17 kaukosäätimessä) ja valitse JÄRJESTELMÄ:

- Hälytys: valitse tämä vaihtoehto hälytyksen asettamiseksi.
- Aika: valitse tämä vaihtoehto päivämäärän ja kellonajan asettamiseksi.

- Taustavalo: valitse tämä vaihtoehto muuttaaksesi aikakatkaisua/käyttötasoa/näytön valaistusta.
- Kieli: valitse tämä vaihtoehto muuttaaksesi järjestelmän kielen.
- Tehdasasetusten palautus: valitse tämä vaihtoehto palauttaaksesi laitteen tehdasasetuksiin.
- Ohjelmistopäivitys: valitse tämä vaihtoehto, jos uusi ohjelmistoversio julkaistaan.
- Ohjelmistoversio: valitse tämä vaihtoehto nähdäksesi nykyisen ohjelmistoversion.

AJASTIMEN ASETUKSET

1. Paina VALIKKO-painiketta (10) (17 kaukosäätimessä) ja valitse kohdasta JÄRJESTELMÄ Aika-vaihtoehto.
2. Aseta kellonaika/päivämäärä. Paina OHITA+/- (17/18) (12/13 kaukosäätimessä) toistuvasti valitaksesi 12-/24-aikamuodon. Vahvista painamalla ENTER/EQ-painiketta (14) (16 kaukosäätimessä) uudelleen.
3. Tunnin numerot vilkkuvat näytössä. Paina OHITA+/- (17/18) (12/13 kaukosäätimessä) toistuvasti valitaksesi oikean tunnin. Vahvista painamalla ENTER/EQ-painiketta (14) (16 kaukosäätimessä) uudelleen.
4. Minuutin numerot vilkkuvat näytössä. Paina OHITA+/- (17/18) (12/13 kaukosäätimessä) toistuvasti valitaksesi oikeat minuutit. Vahvista painamalla ENTER/EQ-painiketta (14) (16 kaukosäätimessä) uudelleen.
5. Päivän numerot vilkkuvat näytössä. Paina OHITA+/- (17/18) (12/13 kaukosäätimessä) toistuvasti valitaksesi oikean vuoden. Vahvista painamalla ENTER/EQ-painiketta (14) (16 kaukosäätimessä) uudelleen.
6. Kuukauden numerot vilkkuvat näytössä. Paina OHITA+/- (17/18) (12/13 kaukosäätimessä) toistuvasti valitaksesi oikean kuukauden. Vahvista painamalla ENTER/EQ-painiketta (14) (16 kaukosäätimessä) uudelleen.
7. Vuoden numerot vilkkuvat näytössä. Paina OHITA+/- (17/18) (12/13 kaukosäätimessä) toistuvasti valitaksesi oikean päivän. Vahvista painamalla ENTER/EQ-painiketta (14) (16 kaukosäätimessä) uudelleen.

HÄLYTYKSEN ASETUS

1. Paina VALIKKO-painiketta (10) (17 kaukosäätimessä) ja valitse hälytysvaihtoehdoksi JÄRJESTELMÄ tai paina yksinkertaisesti AJASTIN (20 kaukosäätimessä) toistuvasti ja valitse hälytys 1 tai 2.
2. Aloita sitten hälytysten asetus painamalla ENTER/EQ-painiketta (14) (16 kaukosäätimessä). Voit painaa SKIP-painiketta (12 tai 13 kaukosäätimessä) ja ENTER/EQ-painiketta asettaaksesi PÄÄLLEKYTKENTÄAJAN, keston, hälytyslähteen, hälytyksen taajuuden ja hälytyksen voimakkuustason jne.
3. Kun kaikki asetukset on tehty, näytössä näkyy "Alarm Saved (Hälytys tallennettu)" ja hälytyssymboli 1 tai 2
4. Kun Hälytys pois päältä on asetettu, hälytyskuvake häviää.

DAB-TILA

Paina toimintopainiketta (4) (5 kaukosäätimessä) toistuvasti valitaksesi DAB-tilan.

Paina OHITA+/- (17/18) (12/13 kaukosäätimessä) etsiäksesi ohjelman

DAB-VALIKKO

Paina VALIKKO (10) (17 kaukosäätimessä) päästäksesi vaihtoehtoihin.

- Täysi haku: valitse tämä vaihtoehto suorittaaksesi käytettävissä olevien DAB-ohjelmien täyden haun. Voit suorittaa saman toiminnon painamalla HAKU (12).
- Manuaalinen viritys: valitse tämä vaihtoehto valitaksesi DAB-taajuuden manuaalisesti.
- DRC: valitse tämä vaihtoehto valitaksesi DRC matala, DRC korkea ja DRC pois.
- Karsinta: poistaa asemaluettelosta asemat, jotka eivät ole käytettävissä

DAB-ESIASETUS

Voit ohjelmoida enintään 20 esiasetettua radioasemaa.

- Pidä ESIASETUS (13) (19 kaukosäätimessä) painettuna. Näyttöön ilmestyy TALLENNA ESIASETUS.
Paina OHITA+/- (17/18) (12/13 kaukosäätimessä) valitaksesi esiasetuksen numeron. Vahvista painamalla ENTER (14) (16 kaukosäätimessä).
- Paina ESIASETUS (13) (19 kaukosäätimessä) navigoidaksesi esiasetuksissa.

DAB-TIEDOT

Paina toistuvasti TIETO (11) (18 kaukosäätimessä) nähdäksesi seuraavat tiedot NIMI/KBPS/PÄIVÄMÄÄRÄ/AIKA.

TÄRKEÄÄ TIETOA DAB+ -VASTAANOTOSTA

DAB+ -radiovastaanotto eroaa FM-radiovastaanotosta.

- FM-vastaanotossa voit usein kuitenkin vastaanottaa heikon aseman, mutta luultavasti kohisevalla tai särisevällä äänellä.
- DAB + toimii digitaalisesti, ja jos signaali ei riitä, et kuule mitään. Ei sihinää tai särinää kuten FM:ssä. Tämä ei johdu radiosta vaan siitä, että kyseisessä paikassa ei ole riittävästi DAB+-signaalia.
- DAB+-säätö on: ei vastaanottoa tai heikko vastaanotto = ei ääntä.

Mitä voit tehdä, jos sinulla ei ole suoraa DAB+-vastaanottoa.

- Kohdista antenni aina ensin suoraan ylöspäin.
- Älä sijoita radiota liian lähelle mahdollisia häiriölähteitä, kuten akkulatureita, pyöriviä koneita, tietokoneita, isoja metallipintoja jne.
- Siirrä radiota muutama metri.
- Kytke radio päälle ja aktivoi täysi haku DAB+-valikossa
- Radion näytössä näkyy haun eteneminen ja radion nykyisestä sijainnista löytyneiden asemien määrä.

Tärkeää

- DAB+-vastaanotossa vastaanottotasossa voi olla hyvin suuri ero yhden paikan ja ”muutamien metrillä” sijaitsevan paikan välillä. Jos paikallinen DAB+-signaali on heikko, siirrä radiota voimakkaamman signaalin löytämiseksi.
- Jos viet radion toiseen paikkaan, suorita täysi haku uudelleen. Näin näet, mitkä DAB+-asemat ovat siellä vastaanotettavissa.

TILA

Paina toimintopainiketta (4) (5 kaukosäätimessä) toistuvasti valitaksesi FM-tilan.

Valitse taajuus manuaalisesti kääntämällä VIRITYSNUPPIA (21).

FM-VALIKKO

Paina VALIKKO (10) (17 kaukosäätimessä) päästäksesi vaihtoehtoihin.

- Haun asetus: valitse tämä vaihtoehto valitaksesi, haetko kaikki asemat vai vain vahvat asemat.
- Ääniasetus: valitse tämä vaihtoehto valitaksesi, pakotetaanko monoääni vai sallitaanko stereoääni.

FM-ESIASETUS

Katso DAB-ESIASETUS-ohjeet.

FM-TIEDOT

Paina toistuvasti TIETO (11) (18 kaukosäätimessä) nähdäksesi seuraavat tiedot:

OHJELMALAJI/TAAJUUS/ÄÄNI/PÄIVÄMÄÄRÄ/AIKA.

KASETIN KUUNTELEMINEN

1. Paina toimintopainiketta (4) (5 kaukosäätimessä) toistuvasti valitaksesi KASSETTI-tilan.
2. Aseta kasetti laitteeseen. Järjestelmä aloittaa toiston automaattisesti kasetin asettamisen jälkeen.
3. Paina PIKAKELAUS ETEENPÄIN/POISTO (24) puoliksi sisään toistotilan aikana. Kasetti kelautuu eteenpäin.
Paina PIKAKELAUS ETEENPÄIN/POISTO (24) uudelleen kevyesti jatkaaksesi toistoa.
4. Paina PIKAKELAUS ETEENPÄIN/POISTO (24) kokonaan sisään, jolloin kasetti poistuu KASSETIMEKANISMIN (25) kautta.

CD:N TOISTAMINEN

1. Paina toimintopainiketta (4) (5 kaukosäätimessä) toistuvasti valitaksesi CD-tilan.
2. Avaa CD-kansi painamalla CD-KANNEN AVAUS-/SULKEMISPAINIKETTA (20) (2 kaukosäätimessä). Aseta CD-levy painettu puoli ylöspäin tasolle ja sulje sitten CD-kansi. Ensimmäisen kappaleen toisto alkaa.

- Valitse suosikkikappaleesi painamalla OHITUS-/+(17/18) (12/13 kaukosäätimessä). Jos pidät OHITUS-/+(17/18) (12/13 kaukosäätimessä) painettuna, toistettava kappale siirtyy nopeasti taaksepäin tai eteenpäin, kunnes vapautat painikkeen.
- Keskeytä toisto painamalla TOISTO/TAUKO (15) (9 kaukosäätimessä). Kappaleen numero alkaa vilkkua. Jatka toistoa painamalla TOISTO/TAUKO (15) (9 kaukosäätimessä) uudelleen.
- Pysäytä toisto painamalla STOP (16) (6 kaukosäätimessä).

TOISTA UUELLEEN/SATUNNAISTOISTOTILA

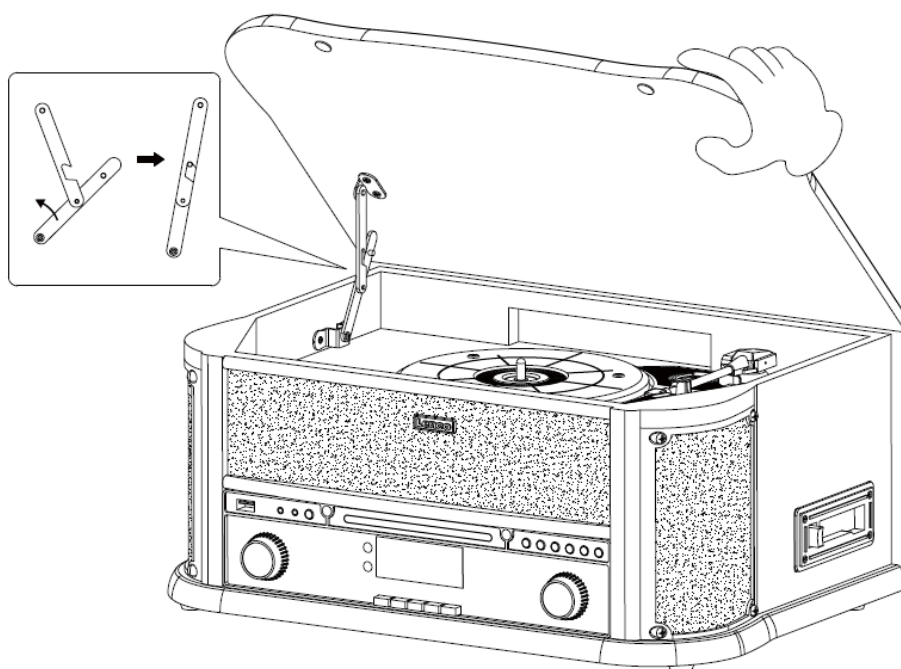
Valitse CD/USB-toiston aikana painamalla toistuvasti (7) kaukosäätimessä:

- Toista uudelleen 1: Nykyinen kappale toistetaan uudelleen.
- Toista uudelleen HAKEMISTO: Nykyinen kansio toistetaan uudelleen.
- Toista kaikki uudelleen: Kaikki kappaleet toistetaan uudelleen.
- SATUNNAINEN: levyn kappaleiden satunnainen valinta.
- INTRO: kuulet kappaleen alusta 10 sekuntia.

CD-OHJELMOINTI

Voit ohjelmoida enintään 99 kappaletta toistumaan tietyssä järjestyksessä.

1. Aseta levy ja paina PYSÄYTYS (16) (6 kaukosäätimessä), kun toisto alkaa.
2. Paina (8) kaukosäätimestä. "P01" näkyy näytössä.
3. Valitse suosikkikappaleesi painamalla OHITUS-/+(17/18) (12/13 kaukosäätimessä).
4. Tallenna kappale ohjelmamuistiin painamalla (8) kaukosäätimestä. "P02" näkyy näytössä.
5. Valitse ja tallenna kaikki haluamasi kappaleet toistamalla vaiheita 3–4.
6. Aloita ohjelman toisto painamalla TOISTO/TAUKO (15) (9 kaukosäätimessä).
7. Pysäytä ohjelman toisto painamalla kerran PYSÄYTYS (16) (6 kaukosäätimessä). Tyhjennä ohjelma painamalla PYSÄYTYS (16) (6 kaukosäätimessä) kaksi kertaa.



Levysoittimen kannen avaaminen/sulkeminen

Avaaminen:

- Nosta levysoittimen kantta ylös, kunnes se pysähtyy.
- Laske kantta hitaasti, kunnes salpa lukittuu. Jos salpa ei lukitu, vedä alatankoa kädellä.
- Kansi pysyy nyt auki.

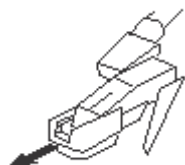
Sulkeminen

- Nosta kantta ylös, kunnes se pysähtyy.
- Salvan pitäisi vapautua. Laske kansi hitaasti. Jos salpa ei vapaudu, työnnä alatankoa ulos kädellä.
- Pidä kannesta varovasti kiinni, jotta sormet eivät jää puristuksiin sen sulkeutuessa.

LEVYJEN KUUNTELEMINEN

ERITTÄIN TÄRKEÄÄ! (Tämä toiminto on rajoitettu vain isoihin levysoittimiin, joissa on tämä toiminto)

1. Paina TILA (4) (5 kaukosäätimessä) toistuvasti valitaksesi PHONO-tilan.
2. Avaa levysoittimen kansi. Vapauta äänivarren kiinnitys ja poista neulan suojuksen.



Aseta levy levysoittimelle keskitapin päälle. Aseta EP-sovitin keskitappiin, kun toistat 17 cm:n EP-levyjä.

3. Aseta 33/45/78 RPM:N NOPEUDEN VALITSIN (31) nopeuteen 33/45/78 rpm levyn mukaan.
4. Nosta äänivarsi äänivarren nostovivulla. Siirrä äänivarsi levyn alkuun tai tietyn kappaleen alkuun. Laske äänivarsi varovasti levyn päälle äänivarren nostovivulla toiston aloittamiseksi.
5. Kun levy on loppunut, äänivarsi pysähtyy automaattisesti. Lopettaaksesi manuaalisesti, nosta äänivarsi levyn päältä ja aseta se takaisin telineeseen.
6. Levysoittimen siirtäminen tai heiluttaminen kiinnittämättä äänivarren kiinnikettä voi vahingoittaa äänivartta. Laita suojuksen neulaan, kun sitä ei käytetä.

Neulan asentaminen

1. Pidä kiinni neulan kärjestä ja aseta neula painamalla suuntaan "B", kuten kuvassa.
2. Työnnä neulaa ylöspäin suuntaan "C", kunnes se lukittuu kärkiasentoon.



Ohjausnastat (sisällä)

HUOMAUTUKSET

Suosittellemme, että puhdistat levysi antistaattisella liinalla, jotta saat niistä maksimaalisen kuuntelunautinnon.

Haluamme myös huomauttaa, että samasta syystä neula tulisi vaihtaa säännöllisesti (noin 250 soittotunnin välein)

AUX-TULO

Tässä laitteessa on AUX-äänitulo ulkoisten äänilaitteiden, kuten MP3- tai CD-soittimien, liittämistä varten, ja voit toistaa ulkoisen lähteen järjestelmän kaiuttimien kautta.

1. Käytä äänikaapelia (ei mukana), jossa on RCA-stereoliittimet kaapelin toisessa päässä. Liitä toinen pää päälaitteen AUX-tuloon ja liitä kaapelin toinen pää ulkoisen äänilaitteen LINJALÄHTÖÖN tai KUULOKE-liitäntään.
2. Käynnistä laite ja ulkoinen äänilaite. Paina toimintopainiketta (4) (5 kaukosäätimessä) toistuvasti valitaksesi AUX-IN-tilan
3. Aloita ulkoisen laitteen toisto (huomioi ulkoisen laitteen käyttöohjeet).

BLUETOOTH-KÄYTTÖ

1. Valitse BLUETOOTH-toiminto painamalla toimintopainiketta (4). "Bluetooth" näkyy näytössä.
2. Valitse kannettavasta laitteesta (älypuhelin, tabletti...) Bluetooth-nimi, joka on merkitty Lenco TCD-2571WD, ja vahvista yhteys.
3. Kun pariliitos onnistuu, LCM lakkaa vilkkumasta.
4. Nyt voit siirtää musiikkia Lenco TCD-2571WD-laitteeseen, kaikkia toimintoja voidaan käyttää vain mobiililaitteesta.

Tämä tuote toimii 2400–2483,5 MHz:n taajuudella ja se on tarkoitettu käytettäväksi vain normaalissa kotitalousympäristössä. Tämä tuote soveltuu tähän tarkoitukseen kaikissa EU-maissa.

KOODAUS radiosta/DAB-radiosta

Kytke USB-levy USB-liitäntään. Paina toimintopainiketta (4) (5 kaukosäätimessä) vaihtaaksesi laitteen DAB- tai FM-tilaan, viritä käyttämällä VIRITYS-säädintä tai paina OHITUS+/- (17/18) (12/13 kaukosäätimessä) siirtyäksesi sille asemalle, jonka lähetyksen haluat lähettää. Paina TALLENNUS/POISTO-painiketta (19) (3 kaukosäätimessä) kahdesti aloittaaksesi

tallennuksen, "TALLENNUS" vilkkuu näytössä. Lopeta tallennus painamalla PYSÄYTYS-painiketta (16) (6 kaukosäätimessä).

KOODAUS CD-LEVYLTÄ

Kytke USB-levy USB-liitäntään. Paina CD-levyn toiston aikana TALLENNUS/POISTO-painiketta (19) (3 kaukosäätimessä) kahdesti – näytössä vilkkuu "YKSI", mikä tarkoittaa, että voit valita parhaillaan soitettavan kappaleen tallennettavaksi; jos haluat valita koko CD-levyn tallennettavaksi, paina uudelleen Eteenpäin ohitus -painiketta ja "KAIKKI" vilkkuu näytössä, paina uudelleen TALLENNUS/POISTO-painiketta aloittaaksesi tallennuksen. Lopeta tallennus painamalla PYSÄYTYS-painiketta (16) (6 kaukosäätimessä).

KOODAUS CD-MP3-LEVYLTÄ

Menettely CD MP3:lta tallentamiseksi on sama kuin edellä, mutta jos haluat valita ääni-CD:n sijasta koko tiedostokansion (jos CD:llä on useita kansioita) tallennettavaksi, paina Eteenpäin ohitus -painiketta, jolloin "TALLENNUS KANSIO" vilkkuu näytössä, paina uudelleen TALLENNUS/POISTO -painiketta aloittaaksesi tallennuksen. Lopeta tallennus painamalla PYSÄYTYS-painiketta (16) (6 kaukosäätimessä).

KOODAUS KASETILTA

Kytke USB-levy USB-liitäntään. Paina KASSETTI-toistotilan aikana TALLENNUS/POISTO-painiketta (19) (3 kaukosäätimessä) kahdesti aloittaaksesi tallennuksen, "TALLENNUS" vilkkuu näytössä. Lopeta tallennus painamalla PYSÄYTYS-painiketta (16) (6 kaukosäätimessä).

KOODAUS PHONOSTA

Kytke USB-levy USB-liitäntään. Siirrä äänivarsi PHONO-soittotilan aikana levyn päälle haluttuun kohtaan ja laske se levyille, paina TALLENNUS/POISTO-painiketta (19) (3 kaukosäätimessä) kahdesti aloittaaksesi tallennuksen, "TALLENNUS" vilkkuu näytössä. Lopeta tallennus painamalla PYSÄYTYS-painiketta (16) (6 kaukosäätimessä).

KOODAUS BLUETOOTHISTA

Kytke USB-levy USB-liitäntään. Paina BLUETOOTH toistotilan aikana TALLENNUS/POISTO-painiketta (19) (3 kaukosäätimessä) kahdesti aloittaaksesi tallennuksen, "TALLENNUS" vilkkuu näytössä. Lopeta tallennus painamalla PYSÄYTYS-painiketta (16) (6 kaukosäätimessä).

KOODAUS AUXISTA

Kytke USB-levy USB-liitäntään. Vaihda ulkoinen signaalilähde toistotilaan AUX-toistotilan aikana ja paina TALLENNUS/POISTO-painiketta (19) (3 kaukosäätimessä) kahdesti aloittaaksesi tallennuksen, ”TALLENNUS” vilkkuu näytössä. Lopeta tallennus painamalla PYSÄYTYS-painiketta (16) (6 kaukosäätimessä).

TOISTO USB-LAITTEESTA

1. Laita USB-laitteen liitin USB-liitäntään.
2. Paina toimintopainiketta (4) (5 kaukosäätimessä) toistuvasti valitaksesi USB-tilan.
3. Järjestelmä aloittaa laitteen lukemisen automaattisesti yhteyden muodostamisen jälkeen.
4. Kuuntele USB-laitetta samalla tavalla kuin CD-levyä.

POISTA USB

1. Pidä toiston aikana TALLENNUS/POISTO-(19) (4 kaukosäätimessä) painettuna. ”POISTO” näkyy näytössä.
2. Paina OHITUS -/+ (17/18) (12/13 kaukosäätimessä) toistuvasti valitaksesi välillä YKSI/KANSIO/KAIKKI.
3. Vahvista painamalla TALLENNUS/POISTO (19) (4 kaukosäätimessä) uudelleen.

EQ-KÄYTTÖ

Paina toistotilan aikana ENTER/EQ-PAINIKE (16 kaukosäätimessä) valitaksesi eri äänitehosteiden välillä.

TEKNISET TIEDOT

AC: 100–250 V ~ 50/60 Hz

FM: 87,5–108 MHz

DAB-kaista: KAISTA III

Suunnittelu ja tekniset tiedot voivat muuttua ilman ennakoilmoitusta.

Takuu

Commaxx B.V. tarjoaa huoltoa ja takuuta Euroopan lainsäädännön mukaisesti, mikä tarkoittaa sitä, että korjausasioissa (sekä takuuaikana että sen jälkeen) sinun tulee ottaa yhteyttä paikalliseen jälleenmyyjään.

Tärkeä huomautus: Korjausta vaativia tuotteita ei voi lähettää suoraan Commaxx B.V.:lle.

Tärkeä huomautus: Takuu raukeaa, jos jokin valtuuttamaton huoltoliike avaa tämän laitteen tai tekee sille toimenpiteitä.

Laitte ei sovellu ammattikäyttöön. Kaikki valmistajan antamat takuut evätään, jos laitetta käytetään ammattikäytössä.

Vastuuvapauslauseke

Laiteohjelmiston ja/tai laitteistokomponenttien päivityksiä tehdään säännöllisesti. Tästä syystä jotkin tämän oppaan ohjeista, teknisistä tiedoista ja kuvista eivät ehkä vastaa täysin omaa tilannettasi. Kaikki tämän oppaan kuvat ovat vain viitteellisiä, eivätkä ne välttämättä vastaa todellista tilannetta. Tämän käyttöoppaan kuvaukset eivät oikeuta laillisiin oikeuksiin tai vaateisiin.



Vanhan laitteen hävittäminen

Tämä symboli ilmaisee, että kyseistä sähkötuotetta, paristoa tai akkua ei saa hävittää muun kotitalousjätteen seassa Euroopan alueella. Varmistaaksesi tuotteen, pariston ja akun oikean jätteenkäsittelyn, hävitä ne sähkölaitteiden tai paristojen ja akkujen hävittämistä koskevien paikallisten lakien mukaisesti. Näin autat säästämään luonnonvaroja ja parantamaan ympäristönsuojelun tasoa sähköjätteiden käsittelyssä ja hävittämisessä (sähkö- ja elektroniikkalaiteromudirektiivi).

VAATIMUSTENMUKAISUUSVAKUUTUS

Commaxx ilmoittaa täten, että radiolaitetyyppi [Lenco TCD-2571] on direktiivin 2014/53/EU mukainen. EU:n vaatimustenmukaisuusilmoituksen koko teksti on luettavissa seuraavassa internet-osoitteessa:

https://commaxx-certificates.com/doc/tcd-2571_doc.pdf

RF-tyyppi	Taajuusalue (MHz)	Teho (dBm)
Bluetooth	2402–2480	< 6
DAB	174–240	-
FM	87,5–108	-

Huolto

Lisätietoa ja tukea saat osoitteesta www.lenco.com

Commaxx B.V. Wiebachstraat 37, 6466 NG Kerkrade, The Netherlands.