

Model PDR-016



**User Manual – Portable DAB+/FM radio with
Bluetooth**

**Gebruikershandleiding – draagbare DAB+/-/FM-radio
met bluetooth**

**Benutzerhandbuch – Tragbares DAB+/FM-Radio mit
Bluetooth**

**Manuel d'utilisation – Radio portable DAB+/FM avec
fonction Bluetooth**

**Manual de usuario – Radio DAB+/FM portátil con
Bluetooth**

Index	
English	3
Nederlands	27
Deutsch	53
Français	80
Español	107

Version: 3.0

CAUTION:

Usage of controls or adjustments or performance of procedures other than those specified herein may result in hazardous radiation exposure.

PRECAUTIONS BEFORE USE

KEEP THESE INSTRUCTIONS IN MIND:

1. Do not cover or block any ventilation openings. When placing the device on a shelf, leave 5 cm (2") free space around the whole device.
2. Install in accordance with the supplied user manual.
3. Keep the device away from heat sources such as radiators, heaters, stoves, candles and other heat-generating products or naked flame. The device can only be used in moderate climates. Extremely cold or warm environments should be avoided. Working temperature between 0° and 35°C.
4. Avoid using the device near strong magnetic fields.
5. Electrostatic discharge can disturb normal usage of this device. If so, simply reset and restart the device following the instruction manual. During file transmission, please handle with care and operate in a static-free environment.
6. Warning! Never insert an object into the product through the vents or openings. High voltage flows through the product and inserting an object can cause electric shock and/or short circuit internal parts. For the same reason, do not spill water or liquid on the product.
7. Do not use in wet or moist areas such as bathrooms, steamy kitchens or near swimming pools.
8. The device shall not be exposed to dripping or splashing and make sure that no objects filled with liquids, such as vases, are placed on or near the apparatus.
9. Do not use this device when condensation may occur. When the unit is used in a warm wet room with damp, water droplets or condensation may occur inside the unit and the unit may not function properly; let the unit stand in power OFF for 1 or 2 hours before turning on the power: the unit should be dry before getting any power.
10. Although this device is manufactured with the utmost care and checked several times before leaving the factory, it is still possible that problems may occur, as with all electrical appliances. If you notice smoke, an excessive build-up of heat or any other unexpected phenomena, you should disconnect the plug from the main power socket immediately.
11. This device must operate on a power source as specified on the specification label. If you are not sure of the type of power supply used in your home, consult your dealer or local power company.
12. Keep away from animals. Some animals enjoy biting on power cords.
13. To clean the device, use a soft dry cloth. Do not use solvents or petrol based fluids. To remove severe stains, you may use a damp cloth with dilute detergent.

14. The supplier is not responsible for damage or lost data caused by malfunction, misuse, modification of the device or battery replacement.
15. Do not interrupt the connection when the device is formatting or transferring files. Otherwise, data may be corrupted or lost.
16. If the unit has USB playback function, the USB memory stick should be plugged into the unit directly. Don't use an USB extension cable because it can cause interference resulting in failing of data.
17. The rating label has been marked on the bottom or back panel of the device.
18. This device is not intended for use by people (including children) with physical, sensory or mental disabilities, or a lack of experience and knowledge, unless they're under supervision or have received instructions about the correct use of the device by the person who is responsible for their safety.
19. This product is intended for non professional use only and not for commercial or industrial use.
20. Make sure the unit is adjusted to a stable position. Damage caused by using this product in an unstable position vibrations or shocks or by failure to follow any other warning or precaution contained within this user manual will not be covered by warranty.
21. Never remove the casing of this device.
22. Never place this device on other electrical equipment.
23. Do not allow children access to plastic bags.
24. Only use attachments/accessories specified by the manufacturer.
25. Refer all servicing to qualified service personnel. Servicing is required when the device has been damaged in any way, such as the power supply cord or the plug, when liquid has been spilled or objects have fallen into the device, when the device has been exposed to rain or moisture, does not operate normally, or has been dropped.
26. Long exposure to loud sounds from personal music players may lead to temporary or permanent hearing loss.
27. If the product is delivered with power cable or AC power adaptor:
 - If any trouble occur, disconnect the AC power cord and refer servicing to qualified personnel.
 - Don't step on or pinch the power adaptor. Be very careful, particularly near the plugs and the cable's exit point. Do not place heavy items on the power adaptor, which may damage it. Keep the entire device out of children's reach! When playing with the power cable, they can seriously injure themselves.
 - Unplug this device during lightning storms or when unused for a long period.
 - The socket outlet must be installed near the equipment and must be easily accessible.
 - Do not overload ac outlets or extension cords. Overloading can cause fire or electric shock.
 - Devices with class 1 construction should be connected to a main socket outlet with a protective earthed connection.
 - Devices with class 2 construction do not require a earthed connection.

- Always hold the plug when pulling it out of the main supply socket. Do not pull the power cord. This can cause a short circuit.
 - Do not use a damaged power cord or plug or a loose outlet. Doing so may result in fire or electric shock.
28. If the product contains or is delivered with a remote control containing coin/cell batteries:
- Warning:
- “Do not ingest battery, Chemical Burn Hazard” or equivalent working.
 - [The remote control supplied with] This product contains a coin/button cell battery. If the battery is swallowed, it can cause severe internal burns in just 2 hours and can lead to death.
 - Keep new and used batteries away from children.
 - If the battery compartment does not close securely, stop using the product and keep it away from children.
 - If you think batteries might have been swallowed or placed inside any part of the body, seek immediate medical attention.
29. Caution about the use of Batteries:
- Danger of explosion if battery is incorrectly replaced. Replace only with the same or equivalent type.
 - Battery cannot be subjected to high or low extreme temperatures, low air pressure at high altitude during use, storage or transportation.
 - Replacement of a battery with an incorrect type that can result in an explosion or the leakage of flammable liquid or gas.
 - Disposal of a battery into fire or a hot oven, or mechanically crushing or cutting of a battery, that can result in an explosion.
 - Leaving a battery in an extremely high temperature surrounding environment that can result in an explosion or that leakage of flammable liquid or gas.
 - A battery subjected to extremely low air pressure that may result in an explosion or the leakage of flammable liquid or gas.
 - Attention should be drawn to the environmental aspects of battery disposal.

INSTALLATION

- Unpack all parts and remove protective material.
- Do not connect the unit to the mains before checking the mains voltage and before all other connections have been made.

WARNING



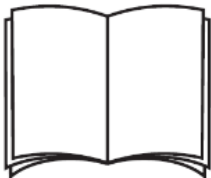
WARNING: When participating in the traffic listening to a personal music player can make the listener less aware of potential dangers such as approaching cars.



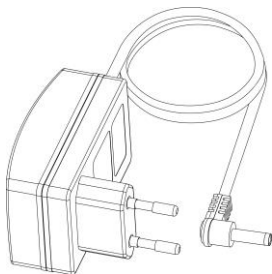
WARNING: To prevent possible hearing damage, do not listen at high volume levels for long periods.

ACCESSORIES

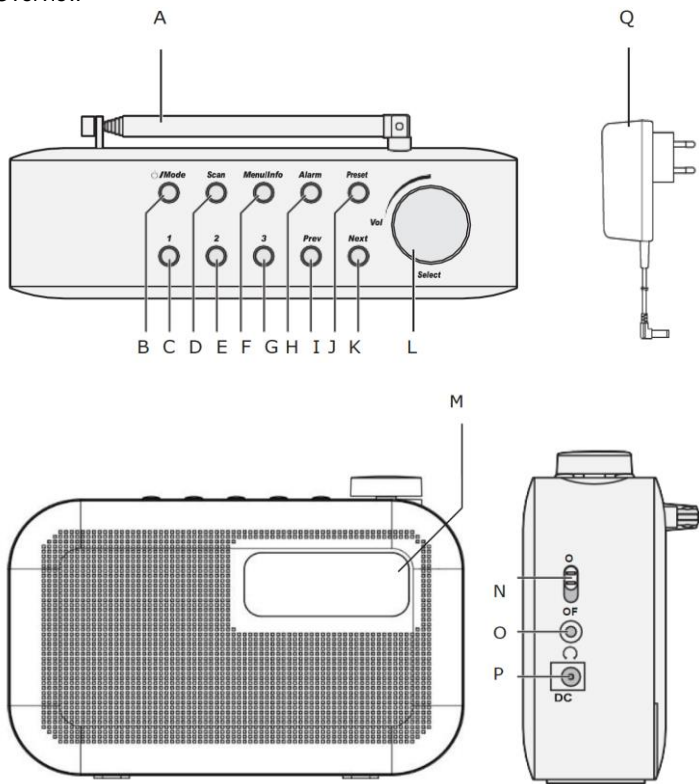
- Instruction manual



Power adaptor



Overview



CONTROLS AND COMPONENTS

- A. Telescope antenna
- B. Standby/Mode button
- C. Preset 1
- D. Scan button
- E. Preset 2
- F. Menu / Info button
- G. Preset 3
- H. Alarm button
- I. Prev button
- J. Preset button
- K. Next button
- L. Vol / Select button
- M. Display
- N. ON/OFF switch
- O. Ear phone jack
- P. DC input socket DC 5V
- Q. DC adapter 5V 1A

Positioning your DAB/FM Radio

Please consider carefully in advance where your radio will be situated and make sure that it is:

- On a flat and stable surface.
- Within 1.4 meters of a power socket (if using mains power). Please ensure that the mains power lead is not a trip hazard.
- At least 1 meter away from other electrical appliance to avoid interference.
- Where you can fully extend the telescopic aerial.
- Never place your radio directly on to antique or polished surfaces.

Power connection

1. Connect the mains power lead into the socket on the side of the radio and fully extend the telescopic aerial in a vertical position to obtain the maximum signal strength.

2. Plug the power adaptor into the mains power wall socket and switch on.
3. Slide the On/Off power switch on the back of the radio to On. The product display will light up, 'Welcome to Digital Radio' will be displayed and then your radio will go to Standby mode.

Note: When you are using batteries to power your radio, slide the On/Off power switch on the side of the radio to On, Press and hold the Power button, then the product display will light up, 'Welcome to Digital Radio' will be displayed. The radio will immediately scan for DAB+ stations

Inserting the batteries

1. Before installing the batteries (not included) please ensure that the radio is switched off (slide the power switch on the side to Off) and is unplugged from the mains power supply.
2. On the back of radio, push in the tab to release and remove the battery compartment cover.
3. Insert 4 x 1.5V AA size (also known as LR6) batteries, making sure to note the "+" and "-" markings and position the batteries and correct way around.
4. Replace the battery cover, making sure "clicks" shut.

Using your DAB/FM Radio

Switch on

1. Press and hold the Power button on the top of your radio. Your radio will switch on and begin an automatic scan for DAB stations. A progress bar will show the progress of the scan and the number of stations found during the scan will also be displayed.
2. When the scan is complete your radio will select the first available station and begin to play. Stations are listed in numerical and then alphabetical order by default.

Note: The DAB radio station list is stored in the memory and so the next time you switch your radio on, the station search does not take place. It is possible to scan manually for stations by entering the menu's manual scan option.

Adjusting the volume

- Turn clockwise to increase the volume (Vol.0-16).
- Turn anti-clockwise to decrease the volume (Vol.0-16).
- Check the display, which will confirm the volume setting.
- The default volume level is 4.

Change the mode

Press and release the Power/Enter button to change between DAB, FM and Bluetooth modes. Please check the display, which will confirm the mode.

Time and date

The first time you listen to DAB radio, the time and date of your product will be synchronized automatically to that broadcast by the DAB service in 24 hour mode; which is in line with daylight saving, so there is no need to set the time and date manually (default time is 1-1-2019 00:00).

If you do wish to set the time and date manually, turn on the radio and follow the steps below:

1. Press and hold the Menu/Info button to enter the menu options.
2. Press and release Prev or next button to scroll to System Settings. Press the Select knob to confirm.
3. Press and release Prev or next button to scroll to Time/Date. Press and release the Select knob to confirm. Set Time/Date is displayed. Press and the Select knob.
4. The hour digits will flash. Press and release the Prev or Next button to scroll to the correct hour. Press the select knob to continue.

5. The minute digits will flash. Press and release the Prev or Next button to scroll to the correct minute. Press the select knob to continue.
6. The day digits will flash. Press and release the Prev or Next button to scroll to the correct day. Press the select knob to continue.
7. The month digits will flash. Press and release the Prev or Next button to scroll to the correct month. Press the select knob to continue.
8. The year digits will flash. Press and release the Prev or Next button to scroll to the correct year. Press the select knob to finish the time and date setup. 'Time Saved' is displayed and the display returns to the Time/Date options. You can now use the Prev and Next buttons, together with the Select button, as you did to set the time and date to change the settings for:
 - Auto Update to update the time from Any (DAB and FM signal) or from Digital Radio or from FM or no update.
 - Set 12/24 Hour clock display
 - Set Date Format, DD-MM-YYYY or MM-DD-YYYY

Using headphones

You can connect headphones with a 3.5mm plug (not included) to your radio. The stereo headphone socket can be found on the side of the radio. When you have headphones connected the radio speaker is switched off and all sound is via the headphones.

Note: Always keep the volume within reasonable limits.

DAB Radio mode

Check that your radio is in DAB mode. If you are not already in DAB mode, press and release the Power/Mode button until you are in DAB mode (check the display).

The first time you use the Radio or if the station list is empty, your radio will automatically begin to scan for DAB radio stations. A progress bar will

show the progress of the scan and the number of stations found during the scan will also be displayed.

If you were listening to a DAB station when you switched the radio off, then this station will automatically be selected when you switch the radio back on.

Changing DAB stations

1. Press and release the Next and Prev buttons to scroll through the available stations.
2. When the station that you would like to listen to is displayed, press and release the Select knob to confirm. There will be a short delay whilst your radio tunes to your selected station.

Scanning for DAB stations

With DAB radio, additional stations and services regularly become available so it's a good idea to carry out a manual scan every now and then to make sure that you have the most up to date station listing stored within the memory of your Radio. If you have moved your Radio to another location, e.g.: if you go on holiday, then it's also a good idea to carry out a manual scan.

In DAB mode:

1. Press and release the Prev or Next button to begin a search for stations. The display will change to 'Scanning...'. A progress bar will show the progress of the scan and the number of stations found during the scan will also be displayed.

Prune DAB stations

You can remove the DAB stations in the station list that cannot be received in your area. These are listed with a '?' Prefix.

In DAB mode: Press and hold the Menu/Info button to enter the menu options.

1. Turn the Select knob or press and release the Next button to scroll to Prune Invalid. Press the Select knob to confirm.
2. 'Proceed to prune the invalid stations Yes No' is displayed. Press and release the Prev button to scroll to Yes. Press and release the Select button to confirm and prune the station list. Stations with a '?' prefix will now no longer be displayed.

Storing a DAB station preset

Your radio can store up to 20 DAB radio stations in its preset memories for instant access to your favorite stations. And you can fast preset or recall the favorite top 3 stations.

1. Tune the Radio to the DAB radio station that you wish to preset.
2. Press and hold the 1-2-3 button for approximately 2 seconds until Save to Preset and the numbered preset list is displayed.
3. Press and hold the Preset button to enter the preset options and scroll to the Preset Save that you would like to store the radio station to (1-20).
4. Press the Select knob to confirm. Preset X saved, where 'X' is the number of the preset (1-20), will be displayed.

Note: If there is already an existing DAB station stored under a preset, it will be over written when you store the new station.

Tune to a DAB station preset (Recall)

In DAB mode:

1. Short press the 1-2-3 button to quick recall the top 3 favorite stations, Recall is displayed together with the numbered preset list and the name or frequency of the station stored there, or (Empty) if no previous station has been stored.

2. Press and hold the Preset button to enter the preset options and scroll to the Preset Recall to the preset location and station that you would like to listen to (6-20).
3. Press the Select knob to confirm. The radio will instantly tune to that station and begin to play. Note: If no DAB station has been stored under the preset button, '! Preset Empty' will be displayed, then the radio will revert to the previously selected radio station.

DAB display information

When listening to a DAB station you can change the information that will appear on the display. There are several different types of information that are sent by the broadcaster.

- **Dynamic Label Segment (DLS)** - this is text information supplied by the broadcaster. Information could be the name of an artist or music title, 'DJ's name, contact details for the radio station etc.
- **Program Type (PTY)** - such as 'Rock', 'Pop', 'Talk' or 'News'
- **Multiplex Name** - displays the broadcasting area and collection of radio stations on this frequency e.g.: BBC National DAB, Digital 1 Network.
- **Channel and Frequency** - e.g.: 12B 225.648 MHz
- **Signal error and Strength** - the signal error is displayed as a number between 0-99. It would not be possible to satisfactorily listen to a radio station with a signal error rate of 30 or above. The signal strength is displayed as a row of solid rectangles. Two black lines within the solid rectangles indicate the minimum signal strength for acceptable listening. The stronger the signal, the further to the right the row of solid rectangles will be. Try

adjusting the aerial or relocating your radio to improve reception.

- **Signal information** - the data rate at which the signal is being transmitted.
- **Time and date** - supplied by the broadcaster.
 1. Repeatedly press and release the Menu/Info button to cycle through the different information options.

IMPORTANT INFORMATION REGARDING DAB+ RECEPTION

DAB+ radio reception is different from FM radio reception.

- In FM, you can often still receive a weak station, but probably with a rustling or crackling sound.
- DAB + reception works digitally and if there is not enough signal you hear nothing. No hiss or crackle as with FM. This is not due to the radio, but to the fact that there is not enough DAB+ signal at that location.
- DAB + rule is: no or weak reception = no sound.

What can you do if you do not have direct DAB+ reception.

- Always point the antenna straight up vertically first.
- Do not place the radio too close to potential sources of interference such as, battery chargers, rotating machinery, computers, large metal surfaces, etc.
- Move the radio a few meters.
- Turn on the radio and activate a full scan in the DAB+ menu
- In the display of the radio you will see the progress of the scan and the number of stations found in the current position of the radio.

Important

- With DAB+ reception, there can be a very big difference in reception level between one location and "a few meters away". In case of a local weak DAB+ signal, move the radio to find a stronger signal.
- If you take the radio to another location, perform a full scan again. This will show you which DAB+ stations can be received there.

Dynamic range control (DRC)

In DAB mode:

The dynamic range for each radio program is set by the broadcaster for each radio station and may be different for the types of program broadcast, such as pop or classical music or a chat show. The dynamic range control signal is transmitted in parallel with the audio signal for each program and with your radio you can use this control signal to expand or compress the dynamic range (the difference between the loudest and quietest sounds) of the reproduced audio signal. Changing the dynamic range can affect the loudness and/or quality of sound of the program that you hear so that it will be more suited to your listening conditions and your own personal listening requirements. e.g. in a noisy environment, where quiet sounds might be swamped, setting the compression to maximum will 'boost' the quiet sounds, whilst keeping the loudest sounds at their original level.

There are 3 levels of compression:

- **DRC off** - no compression. This is the default setting.
 - **DRC low** - medium compression.
 - **DRC high** - maximum compression.
1. Press and hold the Menu/Info button to enter the menu options.
 2. Press release the Next button to scroll to DRC. Press the Select knob to confirm. The current DRC setting will be highlighted.
 3. Press and release the Next button to scroll through the options available and press the Select knob to confirm.

FM Radio mode

If you are not already in FM mode, press and release the Power/Mode button to go to FM mode (check the display).

If you were listening to an FM station when you switched the radio off then this station will be automatically selected when you switch the radio back on.

Tuning to an FM station

1. Manual Scan

- Press and hold the Next button to scan up the frequency band.
- Press and hold the Prev button to scan down the frequency band.
- Press and release the Next or Prev button to fine tune each frequency in 0.05MHz steps.

Changing the Scan setting

In FM mode:

1. Press and hold the Menu/Info button to enter the menu options.
2. Press and release the Next button until Scan setting is displayed. Press the Select knob. The current Scan setting will be highlighted.

There are two different options to choose from:

- **Strong Stations Only** - The scan will only stop when a strong signal strength is received which should also result in a better audio quality. It is possible that the station you are scanning for may be missed using this option.
 - **All Stations** - The scan will stop for every station it receives, even if the signal strength is poor.
1. Press and release the Next button to choose from the two options available and press the Select knob to confirm.

Storing an FM station preset

Your radio can store up to 20 FM radio stations in its preset memories for instant access to your favorite stations. And you can fast preset or recall the favorite top 3 stations.

1. Tune the radio to the FM radio station that you wish to preset.
2. Press and hold the 1-2-3 button for approximately 2 seconds until Save to Preset and the numbered preset list is displayed.
3. Press and hold the Preset button to enter the menu options and scroll to the Preset Save that you would like to store the radio station to (1-20).
4. Press the Select knob to confirm. Preset X saved, where 'X' is the number of the preset (1-20), will be displayed

Note: If there is already an existing FM station stored under a preset, it will be over written when you store the new station.

Tune to an FM station preset

In FM mode:

1. Short press the 1-2-3 button to quick recall the top 3 favorite stations, Recall is displayed together with the numbered preset list and the name or frequency of the station stored there, or (Empty) if no previous station has been stored.
2. Press and hold the Preset button to enter the preset option and scroll to the Preset Recall to the preset location and station that you would like to listen to (1-20).
3. Press the Select knob to confirm. The radio will instantly tune to that station and begin to play.

Note: If no FM station has been stored under the preset button, '! Preset Empty' will be displayed, then the radio will revert to the previously selected radio station.

FM display information

When listening to an FM station you can change the information that will appear on display.

- **Radio text (RT)** - This is text information supplied by the broadcaster. Information could be the name of an artist or

music title, 'DJ's name, contact details for the radio station etc.

- **Program Type (PTY)** - Such as 'Rock', 'Pop', 'Talk' or 'News'
- **Station name or frequency** - Such as BBC R4 or "93.30MHz
- **Time and date** - supplied by the broadcaster.
 1. Repeatedly press and release the Menu/Info button to cycle through the different information options.

Setting the alarm

Note: Check that the radio has the correct time and date before you set an alarm. With your radio switched on (not in Standby mode):

1. Press the Alarm button.
2. There are two alarms, alarm 1 and alarm 2, press the buttons "Prev" or "Next" and confirm with the button "Select".
3. For On time, press the buttons "Prev" or "Next" to adjust the time, and confirm with the button "Select".
4. The alarm will last from 10 to 60 minutes, press the button "Prev" or "Next" to adjust, and confirm with the button "Select".
5. Three sources to alarm: Buzzer, DAB & FM.
6. Four alarm mode: Daily, Once, Weekends, Weekdays.
7. Alarm volume changes from 2 to 16 levels.
8. Alarm ON & OFF, press the buttons "Prev" or "Next" to adjust, and activate or inactivate the alarm with the button "Select"

Stop the Alarm

When the alarm sounds, press **Alarm** button, Alarm off is displayed. Alternatively, you can press the Snooze/Select knob (see Snooze function below).

Note: The alarm symbol will remain in the display and the alarm will sound again at the same time the next day, unless it was set for 'Once' only.

Snooze

When the alarm sounds you can press Snooze/Select knob to snooze for 10 minutes. A snooze time countdown will be displayed until the alarm sounds again.

Sleep timer

You can set your radio to turn off automatically using the sleep timer. You can choose from Sleep off, 15, 30, 45, 60, 90 and 120 minutes.

With your radio switched on (not in Standby mode):

1. Press and hold the Menu/Info button to enter the menu options.
2. Turn the Select knob or press the Prev or Next buttons to scroll to System Settings. Press and the Select knob.
3. Sleep is highlighted. Press the Select knob.
4. Turn the Select knob or press the Prev or Next buttons to scroll through the available sleep timer options (Sleep off, 15, 30, 45, 60 and 90 minutes). Stop when the sleep time you would like is displayed and press the Select knob.
5. The sleep time S symbol together with the minutes that you have selected will be displayed at the top right of the radio display and will countdown until the radio switches off.

Cancel the Sleep timer

With your radio switched on (not in Standby mode), follow the steps to set the Sleep timer, as above, and select 'Sleep Timer Off' in step 4.

Display backlight timeout

You can adjust the display backlight timeout. Options of permanently off, 10, 20, 30, 45,60, 90, 120, and 180 seconds are available.

With your radio switched on (not in Standby mode):

1. Press and hold the Menu/Info button to enter the menu options.
2. Press and release the Prev or Next button to scroll to System Settings. Press the Select knob.
3. Press and release the Prev or Next button to scroll to Backlight.
Press the Select knob.
4. Timeout is highlighted. Press the Select knob. Press and release the Prev or Next buttons to scroll to the backlight timeout option you would like. Permanently Off, 10, 20, 30, 45, 60, 90, 120 or 180 second options are available. Press the Select knob.

You can now turn the knob or press the Prev or Next buttons to scroll and press the knob to confirm, as you did to set the Backlight timeout, to change the settings for the backlight brightness for the On level and Dim level.

There are 3 options available, High, Medium and Low and the current setting will be highlighted.


Display language

You can change the display language of your radio, there are 13 options available; English, Deutsch, Italiano, Français, Dansk, Nederlands, Suomi, Norsk, Polski, Portuguese, Español, Svenska and Türkçe. The current setting will be highlighted. With your radio switched on (not in Standby mode):

1. Press and hold the Menu/Info button to enter the menu options.
2. Press the Prev or Next buttons to scroll to System Settings. Press the knob.
3. Press the Prev or Next buttons to scroll to Language. Press the knob.

4. Press the Prev or Next buttons to scroll to the language you would like. Press the knob to confirm.

Bluetooth operation

1. Press Mode button  to select Bluetooth Mode
Search for "Lenco PDR-016" with your bluetooth device, and select it to connect to your radio
2. Press the **Select** button to Play or Pause
3. Press the **Next** button to select next Track
4. Press the **Previous** button to select previous track
5. Long press Pair button to disconnection the playing Bluetooth device

HEADPHONE SOCKET

1. Connecting the headphones will deactivate the speakers.
2. Sound adjustments also affect the sound through the headphones.

NOTE: Turn down the volume before connecting or putting on the headphones.

When the earphone plug is plugged into to jack that speaker signal will be cut off.

Technical Specification

Power adaptor: Input AC 100-240V 50/60Hz 0.3A Max.

Output DC 5V 1A

Power consumption: 5W

Batteries Powered: 4 x 1.5V AA size / LR6

Audio output: 1 x 1W RMS

Frequency range:

DAB: Band III, 174.9 MHz to 239.2 MHz
FM: 87.5 MHz to 108 MHz
Headphone jack: 3,5mm jack socket
Dimensions (H x W x D): 9 x 17,8 x 5,5mm
Total net weight: 0,3 kgs

DAB & FM Antenna Type: Telescopic Antenna (Gain 0dB)
2.4 BT Antenna Type: Rectangular wave shape antenna on PCB (gain: 0dB)

Bluetooth RF Power: < 0dBm

Operating condition: Temperature: 5°C - 35°C; humidity: 5% - 90%

Power adaptor information:

Only use the power supply listed in the user instructions

Information	Value and precision
Manufacturers name or trade mark, commercial registration and address	DONGGUAN OBELIEVE ELECTRONIC CO., LTD Huazhaoxin Industrial Park B-4/F, Golden Phoenix Industrial Zone, Fenggan Town, Dongguan, Guangdong Province, P. R. China. Business license: 91441900050747698U
Model Identifier	OBL-0501000E, OBL-0501000B
Input voltage	AC 100-240V 0.3A Max.
Input AC frequency	50/60 Hz
Output Voltage	DC 5 V
Output Current	1.0A
Output Power	5.0W
Average active efficiency	74.16%
Efficiency at low load (10%)	-
No load power consumption	0.045W

GUARANTEE

Lenco offers service and warranty in accordance to European law, which means that in case of repairs (both during and after the warranty period) you should contact your local dealer.

Important note: It is not possible to send products that need repairs to Lenco directly.

Important note: If this unit is opened or accessed by a non-official service center in any way, the warranty expires.

This device is not suitable for professional use. In case of professional use, all warranty obligations of the manufacturer will be voided.

DISCLAIMER

Updates to Firmware and/or hardware components are made regularly. Therefore, some of the instruction, specifications and pictures in this documentation may differ slightly from your particular situation. All items described in this guide for illustration purposes only and may not apply to particular situation. No legal right or entitlements may be obtained from the description made in this manual.

DISPOSAL OF THE OLD DEVICE



This symbol indicates that the relevant electrical product or battery should not be disposed of as general household waste in Europe. To ensure the correct waste treatment of the product and battery, please dispose them in accordance to any applicable local laws of requirement for disposal of electrical equipment or batteries. In so doing, you will help to conserve natural resources and improve standards of environmental protection in treatment and disposal of electrical waste (Waste Electrical and Electronic Equipment Directive).

CE MARKING

Hereby, Commaxx B.V. Wiebachstraat 37, 6466 NG Kerkrade, The Netherlands, declares that this product is in compliance with the essential EU directive requirements.

The declaration of conformity may be consulted via techdoc@commaxxgroup.com



SERVICE

For more information and helpdesk support, please visit

www.lenco.com

Commaxx B.V. Wiebachstraat 37, 6466 NG Kerkrade, The Netherlands

OPGELET:

Het gebruik van bedieningen of afstellingen of het uitvoeren van procedures anders dan hierin gespecificeerd, kan leiden tot blootstelling aan gevaarlijke straling.

VOORZORGSMAATREGELEN VÓÓR GEBRUIK

NEEM MET DE VOLGENDE INSTRUCTIES IN ACHT:

1. Bedek of blokkeer geen van de ventilatieopeningen. Als u het apparaat op een schap plaatst, dient u voor 5 cm (2") vrije ruimte rondom het gehele apparaat te zorgen.
2. Installeer in overeenstemming met de meegeleverde gebruikshandleiding.
3. Houd het apparaat uit de buurt van warmtebronnen zoals radiatoren, kachels, fornuizen, kaarsen en andere warmtegenererende producten of open vuur. Het apparaat kan alleen worden gebruikt in gematigde klimaten. Extreem koude of warme omgevingen dienen te worden vermeden. Bedrijfstemperatuur tussen 0° en 35°C.
4. Gebruik het apparaat niet in de buurt van krachtige magnetische velden.
5. Elektrostatische ontlading kan de normale werking van dit apparaat verstoren. In dit geval kunt u het apparaat gewoon resetten en opnieuw starten volgens de gebruiksaanwijzingen. Wees voorzichtig tijdens bestandsoverdracht en voer dit uit in een omgeving zonder statische interferentie.
6. Waarschuwing! Steek geen voorwerpen in het product via de ventilatie- of andere openingen. Er is hoge spanning aanwezig in het product en als u er een voorwerp insteekt, kan dat tot elektrische schokken en/of kortsluiting van de interne onderdelen leiden. Laat om dezelfde reden geen water of vloeistof op het product terechtkomen.
7. Gebruik het apparaat niet in natte of vochtige ruimtes zoals badkamers, keukens met veel stoom of in de buurt van zwembaden.
8. Stel het apparaat niet bloot druppels of spetters en zorg ervoor dat er geen met vloeistof gevulde voorwerpen, zoals vazen, op of in de buurt van het apparaat worden geplaatst.
9. Gebruik dit apparaat niet als er condensatie kan optreden. Wanneer het apparaat in een warme en vochtige kamer wordt gebruikt, dan kunnen er waterdruppeltjes of condensatie binnenin het apparaat worden gevormd waardoor het apparaat mogelijk niet meer goed werkt; houd en apparaat 1 of 2 uur op UIT staan voordat u de voeding weer inschakelt: het apparaat dient droog te zijn voordat deze stroom ontvangt.
10. Al is dit apparaat met de grootste zorg vervaardigd en meerdere keren gecontroleerd voordat deze de fabriek verlaat, is het toch mogelijk dat er problemen optreden, zoals bij alle elektrische apparaten. Als u rook, overmatige warmteontwikkeling of andere onverwachte verschijnselen constateert, dient u onmiddellijk de stekker uit het stopcontact te trekken.
11. Dit apparaat moet van stroom worden voorzien door een bron zoals gespecificeerd op het nominale specificatielabel. Als u niet zeker weet welk type stroomvoorziening in uw huis wordt gebruikt, neem dan contact op met uw dealer of het plaatselijke energiebedrijf.

12. Houd uit de buurt van dieren. Sommige dieren knauwen graag aan voedingskabels.
13. Gebruik een zachte, droge doek om het apparaat schoon te maken. Gebruik geen oplosmiddelen of vloeistoffen op benzinebasis. U kunt een vochtige doek met verdund schoonmaakmiddel gebruiken om hardnekkige vlekken te verwijderen.
14. De leverancier is niet verantwoordelijk voor schade of verlies van gegevens veroorzaakt door storing, misbruik, modificatie van het apparaat of vervanging van de batterij.
15. Zorg ervoor de verbinding niet te verbreken terwijl het apparaat bezig is met formatteren of bestandsoverdracht. Gegevens kunnen anders corrupt of verloren raken.
16. Als het apparaat een USB-afspeelfunctie heeft, moet de USB-geheugenstick rechtstreeks in het apparaat worden gestoken. Gebruik geen USB-verlengsnoer, omdat deze interferentie kan veroorzaken waardoor uw gegevens verloren kunnen gaan.
17. Het nominale specificatielabel is te vinden op het onder- of achterpaneel van het apparaat.
18. Dit product is niet bestemd voor gebruik door personen (waaronder kinderen) met verminderde fysieke, zintuiglijke of mentale capaciteiten, of met een tekort aan kennis en ervaring, tenzij een persoon verantwoordelijk voor hun veiligheid toezicht houdt of instructies heeft gegeven voor het correcte gebruik van het apparaat.
19. Dit product is uitsluitend bedoeld voor niet-professioneel gebruik en niet voor commercieel of industrieel gebruik.
20. Zorg ervoor dit apparaat op een stabiele plek te plaatsen. Beschadigingen veroorzaakt door het gebruik van dit apparaat in een onstabiele positie, trillingen of schokken of door het niet opvolgen van andere waarschuwingen of voorzorgsmaatregelen beschreven in deze gebruikshandleiding, worden niet gedekt door de garantie.
21. Verwijder nooit de behuizing van dit apparaat.
22. Plaats dit apparaat nooit op andere elektrische apparatuur.
23. Houd plastic zakken uit de buurt van kinderen.
24. Gebruik alleen uitbreidingen/accessoires gespecificeerd door de fabrikant.
25. Laat alle reparaties over aan bevoegd onderhoudspersoneel. Reparatie is vereist wanneer het apparaat op enigerlei wijze is beschadigd, zoals een beschadigde voedingskabel of stekker, wanneer vloeistof is gemorst of voorwerpen in het apparaat zijn gevallen, wanneer het apparaat is blootgesteld aan regen of vocht, niet normaal functioneert of is gevallen.
26. Langdurige blootstelling aan harde geluiden van persoonlijke muzikspelers kan leiden tot tijdelijk of permanent gehoorverlies.
27. Als het product wordt geleverd met een voedingskabel of AC-stroomadapter:
 - Als er problemen optreden, koppel de AC-voedingskabel dan los en laat reparaties over aan bevoegd personeel.
 - Niet op de stroomadapter gaan staan of deze indrukken. Wees zeer voorzichtig, vooral in de buurt van de stekkers en waar de kabel uit het apparaat komt. Plaats geen zware voorwerpen op de stroomadapter, om beschadiging ervan te voorkomen. Houd het gehele apparaat buiten bereik van kinderen! Wanneer kinderen met de voedingskabel spelen, kunnen zij ernstig letsel oplopen.

- Koppel dit apparaat los tijdens onweer of wanneer deze voor een lange periode niet wordt gebruikt.
 - Het stopcontact moet in de buurt van de apparatuur zijn geïnstalleerd en eenvoudig te bereiken zijn.
 - Zorg ervoor stopcontacten of verlengsnoeren niet te overbelasten. Overbelasting kan tot brand of elektrische schokken leiden.
 - Apparaten met een klasse 1 constructie moeten worden aangesloten op een stopcontact met een beschermende aardeverbinding.
 - Apparaten met een klasse 2 constructie vereisen geen aardeverbinding.
 - Houd altijd de stekker vast wanneer u deze uit het stopcontact trekt. Trek niet aan de voedingskabel. Dit kan anders een kortsluiting veroorzaken.
 - Gebruik geen beschadigde voedingskabel of stekker of een los stopcontact. Dit kan anders leiden tot brand of elektrische schokken.
28. Als het product een afstandsbediening met knoop-/celbatterijen bevat of daarmee wordt geleverd:
 Waarschuwing:
- "Batterij niet inslikken, gevaar op chemische brandwonden" of soortgelijke werking.
 - [De afstandsbediening meegeleverd met] Dit product bevat een knoop-/celbatterij. Als de batterij wordt ingeslikt, kan deze in slechts 2 uur ernstige en zelfs fatale interne brandwonden veroorzaken.
 - Houd zowel nieuwe als verbruikte batterijen uit de buurt van kinderen.
 - Als het batterijvak niet goed sluit, gebruik het product dan niet langer en houd het uit de buurt van kinderen.
 - Als u denkt dat batterijen zijn ingeslikt of in een lichaamsdeel zijn geplaatst, dient u onmiddellijk medische hulp in te roepen.
29. Waarschuwing m.b.t. het gebruik van batterijen:
- Risico op ontploffing als de batterij incorrect is geïnstalleerd. Vervang alleen door hetzelfde of een gelijkwaardig type.
 - Stel de batterij niet bloot aan extreem hoge of lage temperaturen of een lage luchtdruk op grote hoogte tijdens gebruik, opslag of transport.
 - Vervanging van een batterij door een incorrect type kan leiden tot een ontploffing of de lekkage van ontvlambare vloeistoffen of gas.
 - Verwijdering van een batterij in vuur of een hete oven of het mechanisch verpletteren of snijden van een batterij kan leiden tot een ontploffing.
 - Laat een batterij nooit achter in omgevingen met extreem hoge temperaturen, anders kan dit leiden tot een ontploffing of de lekkage van ontvlambare vloeistoffen of gas.
 - Stel een batterij nooit bloot aan een extreem lage luchtdruk, anders kan dit leiden tot een ontploffing of de lekkage van ontvlambare vloeistoffen of gas.
 - Houd rekening met de impact op het milieu bij het afdanken van batterijen.

INSTALLATIE

- Pak alle onderdelen uit en verwijder het beschermende materiaal.
- Sluit het apparaat niet aan op het lichtnet voordat de correcte netspanning is geverifieerd en alle andere aansluitingen tot stand zijn gebracht.

WAARSCHUWING



Waarschuwing: Bij deelname aan het verkeer kan het luisteren naar muziek de luisteraar minder bewust maken van potentiële gevaren zoals naderende auto's.



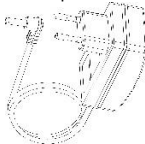
Waarschuwing: Luister niet gedurende lange perioden op een hoog volume om mogelijke gehoorbeschadiging te voorkomen.

ACCESSOIRES

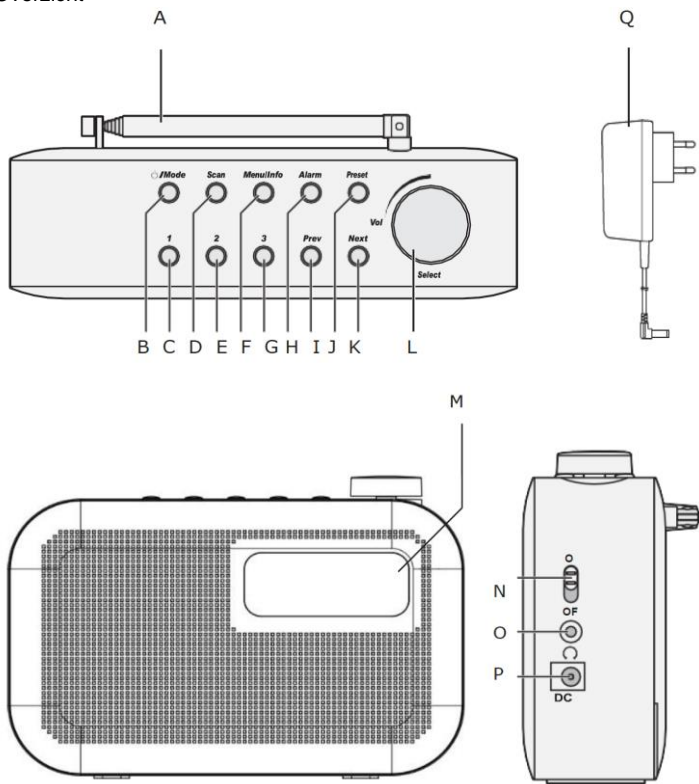
- Gebruiksaanwijzing



Netadapter



Overzicht



BEDIENINGEN EN ONDERDELEN

- A. Telescopische antenne
- B. Stand-by/modus-knop
- C. Voorkeuze 1
- D. Scan-knop
- E. Voorkeuze 2
- F. Menu/informatie-knop
- G. Voorkeuze 3
- H. Alarm-knop
- I. Vorige-knop
- J. Voorkeuze-knop
- K. Volgende-knop
- L. Volume/selecteren-knop
- M. Display
- N. Aan/uit-schakelaar
- O. Hoofdtelefoonaansluiting
- P. DC-ingangaansluiting DC 5 V
- Q. DC-adapter 5 V,1 A

Uw DAB/FM-radio positioneren

Denk van tevoren goed na waar uw radio komt te staan en zorg ervoor dat:

- Het een vlakke en stabiele ondergrond staat.
- Zich binnen 1,4 meter van een stopcontact bevindt (bij gebruik van netvoeding). Het netsnoer geen struikelgevaar oplevert.
- Het minimaal 1 meter verwijderd is van andere elektrische apparaten om storing te voorkomen.
- U de telescopische antenne volledig kunt uitschuiven.
- Uw radio nooit direct op antieke of gepolijste oppervlakken plaatst.

Netaansluiting

1. Sluit het netsnoer aan op de aansluiting aan de zijkant van de radio en rek de telescopische antenne volledig uit in verticale positie voor de maximale signaalsterkte.
2. Steek de netadapter in het stopcontact en schakel de radio in.

3. Schuif de aan/uit-schakelaar op de achterkant van de radio naar aan. Het productdisplay zal oplichten en "Welcome to Digital Radio (Welkom bij digitale radio)" zal worden weergegeven, waarna uw radio in stand-bymodus zal gaan.

Opmerking: Als u batterijen gebruikt om uw radio van stroom te voorzien, schuif dan de aan/uit-schakelaar aan de zijkant van de radio naar aan, houd de Power/Mode-knop ingedrukt, vervolgens zal het product display oplichten en "Welcome to Digital Radio (Welkom bij digitale radio)" zal worden weergegeven. De radio zal onmiddellijk scannen naar DAB-zenders

De batterijen plaatsen

1. Voordat u de batterijen (niet meegeleverd) plaatst, moet u ervoor zorgen dat de radio is uitgeschakeld (schuif de aan/uit-schakelaar aan de zijkant naar uit) en dat de stekker uit het stopcontact is gehaald.
2. Druk op het lipje aan de achterkant van de radio om het klepje van het batterijcompartiment los te maken en te verwijderen.
3. Plaats 4x 1,5 V Aa-batterijen (ook bekend als LR6-batterijen), let hierbij op de "+"- en "-"-markeringen en plaats de batterijen overeenkomstig de markeringen.
4. Plaats het batterijklepje terug en zorg ervoor dat het dichtklikt.

Uw DAB/FM-radio gebruiken

Inschakelen

1. Druk op de Power/Mode-knop op de bovenkant van uw radio en houd deze ingedrukt. Uw radio zal inschakelen in en begint automatisch te scannen naar DAB-zenders. Een voortgangsbalk toont de voortgang van de scan. Het aantal zenders dat tijdens de scan werd gevonden, wordt eveneens weergegeven.
2. Wanneer de scan klaar is, zal uw radio de eerste beschikbare zender selecteren en beginnen te spelen. Zenders worden standaard in numerieke en vervolgens alfabetische volgorde weergegeven.

Opmerking: De lijst met DAB-zenders wordt in het geheugen opgeslagen, zodat de volgende keer dat u uw radio inschakelt, het scannen naar

zenders niet opnieuw plaatsvindt. Het is mogelijk handmatig naar zenders te scannen door de optie Handmatig scannen in het menu te openen.

Het volume aanpassen

- Draai met de klok mee om het volume te verhogen (volume 0-16).
- Draai tegen de klok in om het volume te verlagen (volume 0-16).
- Bekijk het display, dat de volume-instelling zal bevestigen.
- Het standaard volumeniveau is 4.

De modus wijzigen

Druk op de Power/Mode-knop om te wisselen tussen DAB-, FM- en Bluetooth-modus. Controleer het display, dat de modus zal bevestigen.

Tijd en datum

De eerste keer dat u naar DAB-radio luistert, worden de tijd en datum van uw radio automatisch gesynchroniseerd met die van de DAB-dienst in 24-uursmodus. Dit komt overeen met de zomertijd, dus u hoeft de tijd en datum niet handmatig in te stellen (standaardtijd is 1-1-2019 00:00).

Als u de tijd en datum toch handmatig wilt instellen, schakel dan de radio in en volg de onderstaande stappen:

1. Houd de Menu/Info-knop ingedrukt om de menuopties te openen.
2. Druk op de Prev- of Next-knop om naar "System Settings (Systeeminstellingen)" te bladeren. Druk op de Select-knop om te bevestigen.
3. Druk op de Prev- of Next-knop om naar "Time/Date (Tijd/datum)" te bladeren. Druk op de Select-knop om te bevestigen. "Set Time/Date (Datum/tijd instellen)" wordt weergegeven. Druk op de Select-knop.

4. De urcijfers zullen knippen. Druk op de Prev- of Next-knop om het juiste uur in te stellen. Druk op de Select-knop om door te gaan.
5. De minutencijfers zullen knippen. Druk op de Prev- of Next-knop om de juiste minuten in te stellen. Druk op de Select-knop om door te gaan.
6. De dagcijfers zullen knippen. Druk op de Prev- of Next-knop om de juiste dag in te stellen. Druk op de Select-knop om door te gaan.
7. De maandcijfers zullen knippen. Druk op de Prev- of Next-knop om de juiste maand in te stellen. Druk op de Select-knop om door te gaan.
8. De jaarcijfers zullen knippen. Druk op de Prev- of Next-knop om het juiste jaar in te stellen. Druk op de Select-knop om de tijd- en datuminstelling te voltooien. "Time Saved (Tijd opgeslagen)" wordt weergegeven en het display keert terug naar de tijd/datum-opties. U kunt vervolgens de Prev- en Next-knop gebruiken, samen met de Select-knop, zoals u deed bij het instellen van de tijd en datum om de instellingen te wijzigen voor:
 - Automatisch bijwerken instellen op: Alles (DAB- en FB-signaal), Digitale radio, FM of Niet bijwerken.
 - Instellen 12/24-uurs klokweergave
 - Datumindeling instellen: DD-MM-JJJJ of MM-DD-JJJJ.

Een hoofdtelefoon gebruiken

U kunt een hoofdtelefoon met 3,5 mm stekker (niet meegeleverd) aansluiten op uw radio. De hoofdtelefoonaansluiting bevindt zich aan de zijkant van de radio. Als u een hoofdtelefoon heeft aangesloten, is de radioluidspreker uitgeschakeld en gaat al het geluid via de hoofdtelefoon. Opmerking: Houd het volume altijd binnen redelijke grenzen.

DAB-radiomodus

Controleer of uw radio in de DAB-modus staat. Als uw radio zich nog niet in de DAB-modus bevindt, drukt u op de aan/uit/Mode-knop tot u in de DAB-modus bent (controleer het display).

De eerste keer dat u de radio gebruikt of als de zenderlijst leeg is, zal uw radio automatisch beginnen te scannen naar DAB-zenders. Een voortgangsbalk toont de voortgang van de scan. Het aantal zenders dat tijdens de scan werd gevonden, wordt eveneens weergegeven.

Als u naar een DAB-zender luisterde toen u de radio uitschakelde, dan zal deze zender automatisch worden geselecteerd als u de radio weer inschakelt.

DAB-zenders wijzigen

1. Druk op de Next- en Prev-knop om door de beschikbare zenders te bladeren.
2. Wanneer de zender waarnaar u wilt luisteren wordt weergegeven, drukt u op de Select-knop om te bevestigen. Er zal een korte vertraging zijn terwijl uw radio afstemt op de door u geselecteerde zender.

Naar DAB-zenders scannen

Met DAB-radio komen er regelmatig nieuwe zenders en diensten beschikbaar, dus het is een goed idee om af en toe een handmatige scan uit te voeren om er zeker van te zijn dat u de meest recente zenderlijst in het geheugen van uw radio heeft opgeslagen. Als u uw radio naar een andere locatie heeft verplaatst, bijvoorbeeld: als u op vakantie gaat, dan is het ook een goed idee om een handmatige scan uit te voeren.

In DAB-modus:

1. Druk Prev- of Next-knop om naar zenders te zoeken. Het display zal wijzigen in "Scanning... (Scannen...)" ". Een voortgangsbalk toont de

voortgang van de scan. Het aantal zenders dat tijdens de scan werd gevonden, wordt eveneens weergegeven.

DAB-zenders verwijderen

U kunt de DAB-zenders die in uw omgeving niet kunt ontvangen uit de zenderlijst verwijderen. Deze worden vermeld met het voorvoegsel "?".

In DAB-modus: Houd de Menu/Info-knop ingedrukt om de menuopties te openen.

1. Draai aan de Select-knop of druk op de Next-knop naar "Prune Invalid (Ongeldige verwijderen)" te bladeren. Druk op de Select-knop om te bevestigen.
2. "Proceed to prune the invalid stations Yes No (Doorgaan met verwijderen van ongeldige zenders Ja Nee)" wordt weergegeven. Druk op de Prev-knop om naar "Yes (Ja)" te bladeren. Druk op de Select-knop om de zenderlijst te bevestigen en ongeldige zenders te verwijderen. Zenders met een voorvoegsel "?" worden nu niet meer weergegeven.

Een DAB-voorkeuzezender opslaan

Uw radio kan tot 20 DAB-zenders opslaan in het voorkeuzegeheugen voor directe toegang tot uw favoriete zenders. U kunt uw favoriete 3 zenders instellen als snelle voorkeuzezender en deze snel oproepen.

1. Stem de radio af op de DAB-zender die u wilt instellen als snelle voorkeuzezender.
2. Houd de 1-, 2- of 3-knop ongeveer 2 seconden ingedrukt totdat "Save to Preset (Opslaan als voorkeuzezender)" en de genummerde voorkeurslijst worden weergegeven.
3. Houd de Preset-knop ingedrukt om de voorkeuze-opties te openen en blader naar "Preset Save (Voorkeuze opslaan)" en de positie waar u de zender wilt opslaan (1-20).

4. Druk op de Select-knop om te bevestigen. "Preset X Saved (Voorkeuzezender X opgeslagen)", waarbij "X" het nummer is van de voorkeuzezender (6-20), zal worden weergegeven. Opmerking: Als er al een bestaande DAB-zender is opgeslagen onder een voorkeuzezender, wordt deze overschreven wanneer u de nieuwe zender opslaat.

Afstemmen op een DAB-voorkeuzezender

In DAB-modus:

1. Druk op de 1-, 2-, of 3-knop om snel uw 3 favoriete zenders op te roepen, "Recall (Oproepen)" wordt weergegeven samen met de genummerde voorkeurslijst en de naam of frequentie van de daar opgeslagen zender, of "Empty (Leeg)" indien geen eerdere zender is opgeslagen.
2. Houd de Preset-knop ingedrukt om de voorkeuze-opties te openen en blader naar naar de positie en "Preset Recall (Voorkeuzezender)" waar u naar wilt luisteren (6-20).
3. Druk op de Select-knop om te bevestigen. De radio zal onmiddellijk afstemmen op die zender en beginnen te spelen. Opmerking: Als er geen DAB-zender is opgeslagen onder de voorkeureknop, zal "! Preset Empty (! Voorkeuzezender leeg)" worden weergegeven, waarna de radio terugkeert naar de eerder geselecteerde zender.

DAB-display-informatie

Wanneer u naar een DAB-zender luistert, kunt u de informatie die op het display verschijnt wijzigen. Er zijn verschillende soorten informatie die door de omroeporganisatie worden verzonden.

- **Dynamic Label Segment (DLS)** - Dit is tekstinformatie die door de omroeporganisatie wordt verstrekt. De informatie kan de naam van een artiest of titel zijn, de naam van een DJ, contactgegevens van de zender, enz.

- **Programmatype (PTY)** - Zoals "Rock (Rock)", "Pop (Pop)", "Talk (Praatradio)" of "News (Nieuws)".
 - **Multiplex Name** - Geeft het uitzendgebied en de verzameling zenders op deze frequentie weer, bijvoorbeeld: "BBC National DAB", "Digital 1 Network".
 - **Kanaal en frequentie** - Bijvoorbeeld 12B 225,648 MHz.
 - **Signaalfout en -sterkte** - De signaalfout wordt weergegeven als een getal tussen 0-99. Met een signaalfoutmarge van 30 of meer is de kwaliteit niet bevredigend. De signaalsterkte wordt weergegeven als een rij rechthoeken. Twee zwarte lijnen binnen de rechthoeken geven de minimale signaalsterkte aan voor een bevredigende signaalsterkte. Hoe sterker het signaal, hoe verder naar rechts de rij van rechthoeken komt te staan. Probeer de antenne aan te passen of uw radio te verplaatsen om de signaalsterkte te verbeteren.
- **Signaalinformatie** - De datasnelheid waarmee het signaal wordt uitgezonden.
 - **Tijd en datum** - Verstrekt door de omroeporganisatie.
 1. Druk meerdere keren op de Menu/Info-knop om door de verschillende informatieopties te bladeren.

BELANGRIJKE INFORMATIE OMTREND DAB+ ONTVANGST

DAB+ radio ontvangst werkt anders dan FM radio ontvangst.

- Bij FM kunt u een zwakke zender vaak nog wel enigszins ontvangen, dan wel waarschijnlijk met een ruisend of krakend geluid.
- DAB+ ontvangst werkt digitaal en als er ter plaatse niet voldoende signaal is hoort u niets. Geen ruis of kraken zoals bij FM dus. Dit

ligt niet aan de radio, maar aan het feit dat er te weinig DAB+ signaal is op die plaats.

- **DAB+ regel is: geen ontvangst = geen geluid.**

Wat kunt u doen als u niet direct DAB+ ontvangst hebt.

- Richt altijd eerst de antenne recht verticaal omhoog.
- Zet de radio niet te dicht bij potentiële storingsbronnen zoals, acculaders, draaiende machines, computers, grote metalen vlakken etc.
- Verplaats de radio enkele meters.
- Zet de radio aan en activeer in het DAB+ menu een volledige scan.
- In het display van de radio ziet u het verloop van de scan en het aantal zenders die worden gevonden op de plaats waar de radio op dat moment staat.

Belangrijk

- Bij DAB+ ontvangst kan er een heel groot verschil in ontvangstniveau zijn tussen de ene locatie en “een paar meter verderop”. Verplaats de radio in geval van een plaatselijk zwak DAB+ signaal om een sterker signaal te kunnen ontvangen.
- Als u de radio meeneemt op reis of naar een andere locatie voer dan ter plekke opnieuw een volledige scan uit. Zo ziet u welke DAB+ zenders aldaar te ontvangen zijn.

Dynamic range control (DRC)

In DAB-modus:

Het dynamisch bereik voor elk programma wordt door de omroeporganisatie voor elke zender vastgesteld en kan verschillen naar gelang van het soort programma dat wordt uitgezonden, zoals pop- of klassieke muziek of een praatprogramma. Het dynamic range control-sigitaal wordt voor elk programma parallel met het audiosigitaal verzonden en met uw radio kunt u dit sigitaal gebruiken

om het dynamisch bereik (het verschil tussen de luidste en de zachtste geluiden) van het gereproduceerde audiosignaal te vergroten of te verkleinen. Het veranderen van het dynamisch bereik kan van invloed zijn op de luidheid en/of de geluidskwaliteit van het programma dat u hoort, zodat het beter aansluit bij uw luisteromstandigheden en uw eigen persoonlijke luisterbehoeften.

In een lawaaiërige omgeving, waar bijvoorbeeld stille geluiden kunnen worden overstemd, zal het instellen van de compressie op maximum de stille geluiden "een boost geven", terwijl de luidste geluiden op hun oorspronkelijk niveau worden gehouden.

Er zijn 3 compressieniveaus:

- **DRC off (DRC uit)** - geen compressie. Dit is de standaardinstelling.
 - **DRC low (DRC laag)** - gemiddelde compressie.
 - **DRC high (DRC hoog)** - maximale compressie.
1. Houd de Menu/Info-knop ingedrukt om de menuopties te openen.
 2. Druk op de Next-knop om naar "DRC (DRC)" te bladeren. Druk op de Select-knop om te bevestigen. De huidige DRC-instelling wordt gemarkeerd.
 3. Druk op de Next-knop om door de beschikbare opties te bladeren en druk op de Select-knop om te bevestigen.

FM-radiomodus

Als uw radio zich nog niet in de FM-modus bevindt, drukt u op de aan/uit/Mode-knop tot u in de FM-modus bent (controleer het display). Als u naar een FM-zender luisterde toen u de radio uitschakelde dan zal deze zender automatisch worden geselecteerd als u de radio weer inschakelt.

Afstemmen op een FM-zender

1. Handmatig scannen

- Houd de Next-knop ingedrukt om de frequentieband omhoog te scannen.

- Houd de Prev-knop ingedrukt om de frequentieband omlaag te scannen.
- Druk op de Next- of Prev-knop om de frequentie fijn af te stellen in stappen van 0,05 MHz.

De scaninstelling wijzigen

In de FM-modus:

1. Houd de Menu/Info-knop ingedrukt om de menuopties te openen.
2. Druk op de Next-knop tot "Scan setting (Scaninstelling)" wordt weergegeven. Druk op de Select-knop. De huidige scaninstelling wordt gemarkeerd.

Er zijn twee verschillende opties om uit te kiezen:

- **Alleen sterke zenders** - De scan stopt alleen wanneer een sterk signaal wordt ontvangen, wat ook zou moeten resulteren in een betere geluidskwaliteit. Het is mogelijk dat de zender waarnaar u scant met deze optie wordt gemist.
 - **Alle zenders** - De scan stopt voor elke zender die hij ontvangt, zelfs als de signaalsterkte slecht is.
1. Druk op de Next-knop om te kiezen uit de twee beschikbare opties en druk op de Select-knop om te bevestigen.

Een FM-voorkeuzezender opslaan

Uw radio kan tot 20 FM-zenders opslaan in het voorkeuzegeheugen voor directe toegang tot uw favoriete zenders. U kunt uw favoriete 3 zenders instellen als snelle voorkeuzezender en deze snel oproepen.

1. Stem de radio af op de FM-zender die u wilt instellen als snelle voorkeuzezender.
2. Houd de 1-, 2- of 3-knop ongeveer 2 seconden ingedrukt totdat "Save to Preset (Opslaan als voorkeuzezender)" en de genummerde voorkeurslijst worden weergegeven.
3. Houd de Preset-knop ingedrukt om de voorkeuze-opties te openen en blader naar "Preset Save (Voorkeuze opslaan)" en de positie waar u de zender wilt opslaan (1-20).

4. Druk op de Select-knop om te bevestigen. "Preset X Saved (Voorkeuzezender X opgeslagen)", waarbij "X" het nummer is van de voorkeuzezender (1-20), zal worden weergegeven

Opmerking: Als er al een bestaande FM-zender is opgeslagen onder een voorkeuzezender, wordt deze overschreven wanneer u de nieuwe zender opslaat.

Afstemmen op een FM-voorkeuzezender

In de FM-modus:

1. Druk op de 1-, 2-, of 3-knop om snel uw 3 favoriete zenders op te roepen, "Recall (Oproepen)" wordt weergegeven samen met de genummerde voorkeurslijst en de naam of frequentie van de daar opgeslagen zender, of "Empty (Leeg)" indien geen eerdere zender is opgeslagen.
2. Houd de Preset-knop ingedrukt om de voorkeuze-opties te openen en blader naar naar de positie en "Preset Recall (Voorkeuzezender)" waar u naar wilt luisteren (1-20).
3. Druk op de Select-knop om te bevestigen. De radio zal onmiddellijk afstemmen op die zender en beginnen te spelen.

Opmerking: Als er geen FM-zender is opgeslagen onder de voorkeureknop, zal "! Preset Empty (! Voorkeuzezender leeg)" worden weergegeven, waarna de radio terugkeert naar de eerder geselecteerde zender.

FM-display-informatie

Wanneer u naar een FM-zender luistert, kunt u de informatie die op het display verschijnt wijzigen.

- **Radiotekst (RT)** - Dit is tekstinformatie die door de omroeporganisatie wordt verstrekt. De informatie kan de

naam van een artiest of titel zijn, de naam van een DJ, contactgegevens van de zender, enz.

- **Programmatype (PTY)** - Zoals "Rock (Rock)", "Pop (Pop)", ""Talk (Praatradio)"" of "News (Nieuws)".
- **Zendernaam of -frequentie** - Zoals "BBC R4" of "93,30 MHz".
- **Tijd en datum** - Verstrek door de omroeporganisatie.
 1. Druk meerdere keren op de Menu/Info-knop om door de verschillende informatieopties te bladen.

Het alarm instellen

Opmerking: Controleer of de radio de juiste tijd en datum heeft voordat u een alarm instelt. Met uw radio ingeschakeld (niet in de stand-bymodus):

1. Druk op de Alarm-knop.
2. Er zijn twee alarmen, alarm 1 en alarm 2, druk op de Prev- of Next-knop en bevestig met de Select-knop.
3. Voor op tijd, drukt u op de Prev- of Next-knop om de tijd aan te passen en bevestigt u met de Select-knop.
4. Het alarm zal van 10 tot 60 minuten duren, druk op de Prev- of Next-knop om het aan te passen en bevestig met de Select-knop.
5. De radio heeft drie alarmbronnen: Zoemer, DAB-radio en FM-radio.
6. De radio heeft vier alarmmodi: Daily (Dagelijks), Once (Eenmalig), Weekends (Weekenden), Weekdays (Weekdagen).
7. Het alarmvolume kan ingesteld worden van niveau 2 tot 16.
8. Om het alarm in of uit te schakelen, drukt u op de Prev- of Next-knop om het aan te passen en schakelt u het alarm in of uit de Select-knop

Het alarm stoppen

Als het alarm afgaat, drukt u op de **Alarm**-knop, waarna "Alarm off (Alarm uit)" wordt weergegeven. Als alternatief kunt u op de Select-knop drukken (zie "Sluimerfunctie" hieronder).

Opmerking: Het alarmsymbool blijft op het display staan en het alarm zal de volgende dag op dezelfde tijd opnieuw afgaan, tenzij het was ingesteld op "Once (Eenmalig)".

Sluimerfunctie

Wanneer het alarm afgaat, kunt u op de Select-knop drukken om het alarm 10 minuten te sluimeren. Een aftelling van de sluimertijd wordt weergegeven totdat het alarm opnieuw afgaat.

Slaaptimer

U kunt uw radio instellen om automatisch uit te schakelen met behulp van de slaaptimer. U kunt kiezen uit: Sleep off (Slaaptimer uit), 15, 30, 45, 60, 90 en 120 minuten.

Met uw radio ingeschakeld (niet in de stand-bymodus):

1. Houd de Menu/Info-knop ingedrukt om de menuopties te openen.
2. Draai aan de Select-knop of druk op de Prev- of Next-knop om naar "System Settings (Systeeminstellingen)" te bladeren. Druk op de Select-knop.
3. "Sleep (Slaap)" is gemarkeerd. Druk op de Select-knop.
4. Draai aan de Select-knop of druk op de Prev- of Next-knop om door de beschikbare slaaptimeropties te bladeren: Sleep off (Slaaptimer uit), 15, 30, 45, 60 en 90 minuten. Stop wanneer de gewenste slaaptijd wordt weergegeven en druk op de Select-knop.
5. Het S-symbool voor de sluimertijd en de minuten die u heeft geselecteerd worden rechtsboven op het display weergegeven en tellen af tot de radio uitschakelt.

De slaaptimer annuleren

Met de radio ingeschakeld (niet in de stand-bymodus): volg de stappen om de slaaptimer in te stellen, zoals hierboven, en selecteer "Speel Timer Off (Slaaptimer uit)" in stap 4.

Time-out achtergrondverlichting display

U kunt de time-out van de achtergrondverlichting instellen. De volgende opties zijn beschikbaar: Permanently off (Permanent uit), 10, 20, 30, 45, 60, 90, 120 en 180 seconden.

Met uw radio ingeschakeld (niet in de stand-bymodus):

1. Houd de Menu/Info-knop ingedrukt om de menuopties te openen.
2. Druk op de Prev- of Next-knop om naar "System Settings (Systeeminstellingen)" te bladeren. Druk op de Select-knop.
3. Druk op de Prev- of Next-knop om naar "Backlight (Achtergrondverlichting)" te bladeren. Druk op de Select-knop.
4. "Timeout (Time-out)" is gemarkeerd. Druk op de Select-knop. Druk op de Prev- of Next-knop om naar de time-outoptie voor de achtergrondverlichting te bladeren die u wenst. De volgende opties zijn beschikbaar: Permanently off (Permanent uit), 10, 20, 30, 45, 60, 90, 120 en 180 seconden. Druk op de Select-knop.


U kunt nu aan de knop draaien of op de Prev- of Next-knop drukken om te bladeren en op de Select-knop drukken om te bevestigen, zoals u deed om de time-out van de achtergrondverlichting in te stellen, om de instellingen voor de helderheid van de achtergrondverlichting voor het niveau "On (Aan)" en het niveau "Dim (Gedimd)" te wijzigen. Er zijn 3 opties beschikbaar: High (Hoog), Medium (Gemiddeld) en Low (Laag). De huidige instelling wordt gemarkeerd.

Displaytaal

U kunt de displaytaal van uw radio wijzigen. Er zijn 13 opties beschikbaar: English (Engels), Deutsch (Duits), Italiano (Italiaans), Français (Frans), Dansk (Deens), Nederlands, Suomi (Fins), Norsk (Noors), Polski (Pools), Portugese (Portugees), Español (Spaans), Svenska (Zweeds) en Türkçe (Turks). De huidige instelling wordt gemarkeerd. Met uw radio ingeschakeld (niet in de stand-bymodus):

1. Houd de Menu/Info-knop ingedrukt om de menuopties te openen.
2. Druk op de Prev- of Next-knop om naar "System Settings (Systeeminstellingen)" te bladeren. Druk op de Select-knop.
3. Druk op de Prev- of Next-knop om naar "Language (Taal)" te bladeren. Druk op de Select-knop.
4. Druk op de Prev- of Next-knop om naar de taal te bladeren die u wenst. Druk op de Select-knop om te bevestigen.

Bluetooth gebruiken

1. Druk op de Mode-knop  om Bluetooth-modus te selecteren. Zoek naar "Lenco PDR-016" met uw bluetooth-apparaat en selecteer het om verbinding te maken met uw radio.
2. Druk op de **Select**-knop om af te spelen of te pauzeren.
3. Druk op de **Next**-knop om het volgende nummer te selecteren.
4. Druk op de **Prev**-knop om het vorige nummer te selecteren.
5. Houdt de Pair-knop ingedrukt om de verbinding met het spelende bluetooth-apparaat te verbreken

HOOFDTELEFOONAANSLUITING

1. Als u een hoofdtelefoon aansluit, worden de luidsprekers gedeactiveerd.
2. Geluidsaanpassingen hebben ook invloed op het geluid via de hoofdtelefoon.

OPMERKING: Zet het volume zachter voordat u de hoofdtelefoon aansluit of opzet.

Wanneer de stekker van de hoofdtelefoon in de aansluiting wordt gestoken, zal het luidsprekersignaal worden onderbroken.

Technische specificaties

Netadapter: Ingang AC 100-240 V, 50/60 Hz, 0.3 A max.

Uitgang DC 5 V, 1 A

Stroomverbruik: 5 W

Batterijen: 4x 1,5 V AA-/LR6-batterijen

Audio-uitgang: 1x 1 W RMS

Frequentiebereik:

DAB: Band III, 174,9 MHz tot 239,2 MHz

FM: 87,5 MHz tot 108,0 MHz

Hoofdtelefoonaansluiting: 3,5mm jackaansluiting

Afmetingen (H x B x D): 9,0 x 17,8 x 5,5 mm

Nettogewicht: 0,3 kg

Type antenne DAB en FM: Telescopische antenne (versterking 0 dB)

Type antenne 2,4 GHz bluetooth: Rechthoekige golfantenne op printplaat (versterking: 0 dB)

Rf-vermogen bluetooth: < 0 dBm

Werkingscondities: Temperatuur: 5 °C - 35 °C; vochtigheid: 5% - 90%/

Informatie betadapter:

Gebruik uitsluitend de netadapter vermeld in de gebruikershandleiding.

Informatie	Waarde en precisie
------------	--------------------

Naam of handelsmerk van de fabrikant, handelsregistratie en adres	DONGGUAN OBELIEVE ELECTRONIC CO., LTD Huazhaoxin Industrial Park B-4/F, Golden Phoenix Industrial Zone, Fenggan Town, Dongguan, Guangdong province, China. Bedrijfsvergunning: 91441900050747698U
Model-ID	OBL-0501000E, OBL-0501000B
Ingangsspanning	AC 100-240 V, 0,3 A max.
AC-ingangsfrequentie	50/60 Hz
Uitgangsspanning	DC 5 V
Uitgangsstroom	1,0 A
Uitgangsvermogen	5,0 W
Gemiddelde actieve efficiëntie	74,16%
Efficiëntie bij lage belasting (10%)	-
Stroomverbruik bij nullast	0,045 W

GARANTIE

Lenco verleent service en garantie in overeenstemming met de Europese wetgeving, wat betekent dat u bij reparaties (zowel tijdens als na de garantieperiode) contact dient op te nemen met uw lokale dealer.

Belangrijke opmerking: Het is niet mogelijk om te repareren producten direct naar Lenco te sturen.

Belangrijke opmerking: Als dit apparaat op enigerlei wijze wordt geopend door de gebruiker of een niet-officieel servicecentrum, komt de garantie te vervallen.

Dit apparaat is niet geschikt voor professioneel gebruik. In het geval professioneel gebruik, komen alle garantieverplichtingen van de fabrikant te vervallen.

DISCLAIMER

Er worden regelmatig updates voor de firmware en/of hardwarecomponenten uitgegeven. Daarom kunnen sommige instructies, specificaties en afbeeldingen in deze documentatie enigszins afwijken van uw specifieke situatie. Alle items beschreven in deze handleiding, zijn alleen bestemd ter illustratie en zijn mogelijk niet van toepassing op een bepaalde situatie. Aan de beschrijving in deze handleiding kunnen geen wettelijke rechten of aanspraken worden ontleend.

AFVOER VAN HET OUDE APPARAAT



Dit symbool geeft aan dat het betreffende elektrische product of de batterij in Europa niet als algemeen huishoudelijk afval mag worden afgevoerd. Om ervoor te zorgen dat het product en de batterij op de juiste manier worden verwerkt, dient u deze af te danken in overeenstemming met de toepasselijke lokale wetgeving met betrekking tot de verwijdering van elektrische apparatuur of batterijen. U helpt hierdoor natuurlijke

hulpbronnen te behouden en de normen voor milieubescherming bij de behandeling en verwijdering van elektrisch afval te verbeteren (richtlijn afgedankte elektrische en elektronische apparatuur).

CE-MARKERING

Hierbij verklaart Commaxx B.V. Wiebachstraat 37, 6466 NG Kerkrade, Nederland, dat dit product voldoet aan de essentiële vereisten van de EU-richtlijnen.

De verklaring van conformiteit is te vinden op techdoc@commaxxgroup.com



SERVICE

Bezoek voor meer informatie en helpdeskondersteuning www.lenco.com
Commaxx B.V. Wiebachstraat 37, 6466 NG Kerkrade, Nederland

ACHTUNG:

Eine andere als die hier beschriebene Benutzung der Bedienelemente oder Einstellung oder Durchführung von Abläufen kann zu einer Aussetzung gefährlicher Strahlung führen.

VORSICHTSMASSNAHMEN VOR DER BENUTZUNG

BEFOLGEN SIE IMMER FOLGENDE ANWEISUNGEN:

1. Blockieren oder bedecken Sie keine Lüftungsöffnungen. Wenn Sie das Gerät auf ein Regal stellen, lassen Sie um das gesamte Gerät 5 cm (2") Freiraum.
2. Stellen Sie das Gerät entsprechend den Anweisungen der mitgelieferten Bedienungsanleitung auf.
3. Halten Sie das Gerät von Hitzequellen wie Radiatoren, Heizern, Öfen, Kerzen oder anderen hitzezeugenden Produkten oder offenen Flammen fern. Das Gerät darf nur bei gemäßigttem Klima verwendet werden. Sehr kalte oder heiße Umgebungen sind zu vermeiden. Die Betriebstemperatur liegt zwischen 0 °C und 35 °C.
4. Meiden Sie bei der Benutzung des Produkts die Nähe starker Magnetfelder.
5. Elektrostatische Entladungen können die normale Benutzung dieses Gerätes stören. Sollte dies geschehen, führen Sie einfach einen Reset aus und starten Sie dann das Gerät entsprechend den Anweisungen dieser Bedienungsanleitung neu. Gehen Sie besonders bei Datenübertragungen mit dem Gerät vorsichtig um und führen Sie diese nur in einer anti-elektrostatischen Umgebung aus.
6. Warnung! Niemals Gegenstände durch die Lüftungsschlitze oder Öffnungen in das Gerät stecken. In diesem Gerät fließt Hochspannung und das Hineinstecken von Gegenständen kann zu Stromschlag und/oder Kurzschluss interner elektrischer Bauteile führen. Spritzen/gießen Sie aus dem gleichen Grund weder Wasser noch andere Flüssigkeiten auf das Gerät.
7. Benutzen Sie das Gerät nicht in nasser oder feuchter Umgebung wie Bad, Dampfküche oder in der Nähe von Schwimmbecken.
8. Das Gerät darf weder Tropf- noch Spritzwasser ausgesetzt werden und es dürfen keine mit Flüssigkeit gefüllten Behälter wie z. B. Vasen auf das Gerät oder in der Nähe des Gerätes gestellt werden.
9. Benutzen Sie das Gerät nicht, wenn Kondensation entstehen kann. Wenn Sie das Gerät in einem warmen, feuchten Raum mit Dampf benutzen, können Wassertropfen oder Kondensation in das Gerät eindringen und u. U. zu Fehlfunktionen des Gerätes führen. Schalten Sie in diesem Fall das Gerät für 1 bis 2 Stunden aus, bevor Sie es erneut einschalten, wobei Sie darauf achten sollten, dass das Gerät vollständig getrocknet ist, bevor Sie es wieder einschalten.
10. Obwohl dieses Gerät unter größter Sorgfalt hergestellt und vor Auslieferung mehrmals überprüft wurde, können trotzdem wie bei jedem anderen elektrischen Gerät auch Probleme auftauchen. Trennen Sie das Gerät bei Rauchentwicklung, starker Hitzeentwicklung oder jeder anderen unnatürlichen Erscheinung sofort vom Stromnetz.

11. Dieses Gerät ist durch eine Stromquelle wie auf dem Typenschild angegeben zu betreiben. Halten Sie bei Unsicherheiten über die Art Ihrer Stromversorgung in Ihrer Wohnung Rücksprache mit Ihrem Händler oder Ihrem Stromversorger.
12. Halten Sie das Gerät von Haustieren fern. Einige Nagetiere lieben es, an Netzkabeln zu nagen.
13. Benutzen Sie für die Reinigung ein weiches, trockenes Tuch. Benutzen Sie niemals Lösungsmittel oder Flüssigkeiten auf Ölbasis. Benutzen Sie zum Entfernen hartnäckiger Flecken ein feuchtes Tuch mit mildem Reinigungsmittel.
14. Der Hersteller haftet nicht für Beschädigungen oder Datenverluste aufgrund von Fehlfunktion, Zweckentfremdung oder Modifikation des Gerätes oder aufgrund des Wechsels der Batterie.
15. Unterbrechen Sie die Verbindung nicht während einer Formatierung oder einer Datenübertragung. Bei Unterbrechung drohen Datenverlust und Datenbeschädigung.
16. Wenn das Gerät eine USB-Wiedergabefunktion besitzt, stecken Sie den USB-Stick direkt in das Gerät. Verwenden Sie kein USB-Verlängerungskabel, weil die erhöhte Störungsanfälligkeit zu Datenverlust führen kann.
17. Das Typenschild befindet sich an der Unter- oder Rückseite des Gerätes.
18. Dieses Gerät ist nicht zur Benutzung durch Personen (einschließlich Kinder) mit physischen, sensorischen oder mentalen Beeinträchtigungen oder ohne ausreichende Erfahrung vorgesehen, es sei denn, sie werden durch eine für ihre Sicherheit verantwortliche Person beaufsichtigt oder wurden in die ordnungsgemäße Bedienung des Gerätes durch eine für ihre Sicherheit verantwortliche Person eingewiesen.
19. Dieses Produkt ist nur für den nicht-professionellen Gebrauch und nicht für gewerbliche oder industrielle Zwecke bestimmt.
20. Stellen Sie sicher, dass das Gerät in einer stabilen Position aufgestellt ist. Schäden, die durch Verwendung dieses Produkts in einer instabilen Position, durch Vibrationen, Stöße oder Nichtbeachtung der anderen in diesem Handbuch enthaltenen Warnungen und Sicherheitsmaßnahmen entstehen, werden nicht durch die Garantie abgedeckt.
21. Entfernen Sie niemals das Gehäuse dieses Gerätes.
22. Stellen Sie dieses Gerät niemals auf andere elektrische Geräte.
23. Halten Sie Kinder von den Plastiktüten fern.
24. Benutzen Sie nur vom Hersteller spezifizierte Erweiterungen/Zubehörteile.
25. Lassen Sie alle Wartungs-/Reparaturarbeiten von qualifiziertem Servicepersonal ausführen. Reparatur/Wartung wird notwendig, wenn das Gerät in irgendeiner Weise wie beispielsweise am Netzkabel oder am Netzstecker beschädigt wurde oder wenn Flüssigkeit in das Gerät gelangt ist bzw. Gegenstände in das Gerät gefallen sind, das Gerät Regen oder Feuchtigkeit ausgesetzt war, es heruntergefallen ist oder nicht ordnungsgemäß funktioniert.
26. Langes Hören lauter Töne aus einem Musikgerät kann zu zeitweiligem oder permanentem Hörverlust führen.
27. Wenn zum Lieferumfang des Produkts ein Netzkabel oder ein Netzadapter gehört:
 - Wenn irgendwelche Probleme auftreten, trennen Sie das Gerät vom Stromnetz und setzen Sie sich anschließend mit einer qualifizierten Fachkraft in Verbindung.

- Treten Sie nicht auf den Netzadapter und klemmen Sie ihn auch nicht ein. Seien Sie besonders im näheren Bereich des Netzsteckers und an der Stelle vorsichtig, an der das Netzkabel aus dem Gerät herausgeführt wird. Stellen Sie keine schweren Gegenstände auf den Netzadapter, da er dadurch beschädigt werden kann. Halten Sie das gesamte Gerät außerhalb der Reichweite von Kindern! Durch Spielen mit dem Netzkabel können sie sich ernsthafte Verletzungen zuziehen.
 - Trennen Sie das Gerät während eines Gewitters oder bei längerer Nichtbenutzung vom Stromnetz.
 - Die Netzsteckdose muss sich in der Nähe des Gerätes befinden und einfach zu erreichen sein.
 - Überlasten Sie Steckdosen und Verlängerungsleitungen nicht. Eine Überlastung kann zu Brandgefahr bzw. Stromschlag führen.
 - Geräte der Schutzklasse 1 müssen Sie an eine Netzsteckdose mit Schutzleiter anschließen.
 - Geräte der Schutzklasse 2 benötigen keinen Schutzleiteranschluss.
 - Greifen Sie beim Abziehen von der Netzsteckdose am Netzstecker. Ziehen Sie ihn nicht durch Zerran am Kabel heraus. Das kann zu einem Kurzschluss führen.
 - Verwenden Sie weder ein beschädigtes Netzkabel noch einen beschädigten Netzstecker oder eine lockere Steckdose. Missachtung kann zu Brand oder Stromschlag führen.
28. Wenn das Produkt mit einer Fernbedienung mit Batterien/Knopfzellen geliefert wird oder das Produkt eine derartige Fernbedienung umfasst:
Warnung:
- Die Batterie nicht verschlucken – Verätzungsgefahr.
 - Die mit diesem Produkt gelieferte Fernbedienung enthält eine Knopfzelle. Das Verschlucken der Batterie kann innerhalb von nur 2 Stunden zu schwersten inneren Verbrennungen mit Todesfolge führen.
 - Halten Sie neue und gebrauchte Batterien von Kindern fern.
 - Falls sich das Batteriefach nicht richtig schließen lässt, stellen Sie die Benutzung des Gerätes ein und halten Sie es von Kindern fern.
 - Wenn Sie vermuten, dass Batterien verschluckt oder in eine Körperöffnung eingeführt worden sind, suchen Sie umgehend eine(n) Ärztin/Arzt auf.
29. Warnhinweise bzgl. der Verwendung von Batterien:
- Es besteht Explosionsgefahr, wenn die Batterie nicht ordnungsgemäß ersetzt wird. Tauschen Sie die Batterie nur gegen eine Batterie des gleichen Typs aus.
 - Die Batterie darf während der Benutzung, Aufbewahrung oder des Transports weder sehr hohen oder sehr niedrigen Temperaturen noch niedrigem Luftdruck in großen Höhenlagen ausgesetzt werden.
 - Die Auswechslung der Batterie mit einem falschen Batterietyp kann zum Explodieren der Batterie oder zum Entweichen von entflammbarem Gas oder Auslaufen von entflammbarer Flüssigkeit aus der Batterie führen.

- Die Entsorgung der Batterie in Feuer oder einem heißen Ofen oder das mechanische Zerkleinern oder Zerteilen der Batterie kann zu Explosionen führen.
- Das Verbleiben der Batterie in einer Umgebung mit sehr hohen Temperaturen kann zum Explodieren der Batterie oder zum Entweichen von entflammbarem Gas oder zum Auslaufen von entflammbarer Flüssigkeit aus der Batterie führen.
- Eine einem sehr niedrigen Luftdruck ausgesetzte Batterie kann explodieren oder es kann aus einer einem sehr niedrigen Luftdruck ausgesetzten Batterie entflammbares Gas entweichen oder entflammbare Flüssigkeit auslaufen.
- Legen Sie besonderes Augenmerk auf den ökologischen Aspekt der Batterieentsorgung.

AUFSTELLEN

- Packen Sie alle Teile aus und entfernen Sie danach die Schutzmaterialien.
- Schließen Sie das Gerät erst an das Stromnetz an, nachdem Sie die Netzspannung überprüft haben und alle anderen notwendigen Anschlüsse hergestellt sind.

WARNUNG



WARNUNG: Bei der Teilnahme am Straßenverkehr kann das Hören von Musik über ein Musikgerät von möglichen Gefahren, wie sich annähernden Fahrzeugen, ablenken.



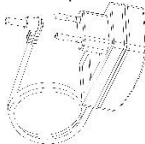
WARNUNG: Hören Sie nicht für längere Zeit mit einem hohen Lautstärkepegel, um dauerhaften Hörschäden vorzubeugen.

ZUBEHÖRTEILE

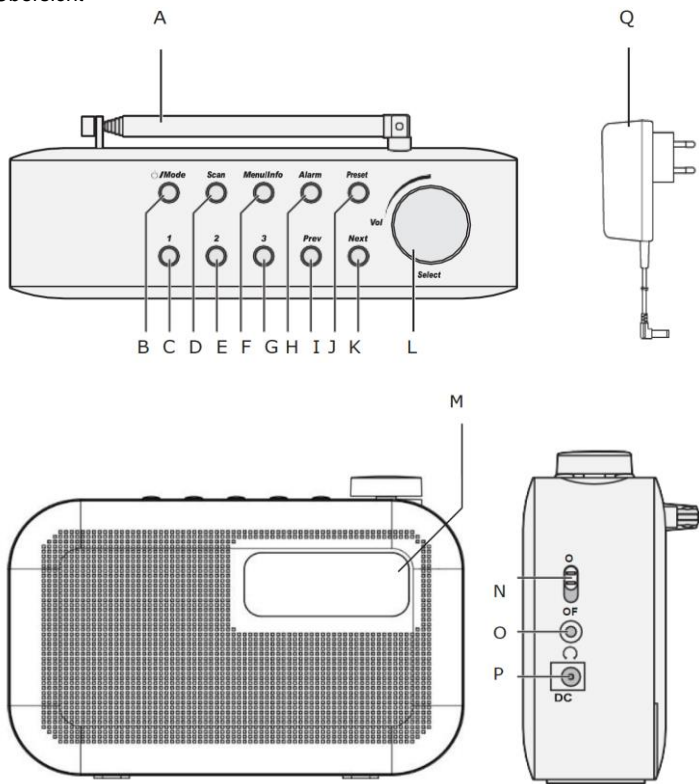
- Bedienungsanleitung



Netzadapter



Übersicht



STEUERUNGEN UND KOMPONENTEN

- A. Teleskopantenne
- B. Standby-/Modus-Taste
- C. Voreinstellung 1
- D. Scan-Taste
- E. Voreinstellung 2
- F. Menü-/Infotaste
- G. Voreinstellung 3
- H. Alarm-Taste
- I. Prev-Taste
- J. Voreinstellungs-Taste
- K. Weiter-Taste
- L. Lautstärke-/Auswahl Taste
- M. Display
- N. Ein/Ausschalter
- O. Kopfhörerbuchse
- P. DC-Eingangsbuchse DC 5 V
- Q. DC-Adapter 5 V 1 A

Aufstellen Ihres DAB/FM-Radios

Überlegen Sie sich im Voraus sorgfältig den Standort Ihres Radios und stellen Sie sicher, dass:

- Das Radio auf einer flachen und stabilen Oberfläche steht.
- Die Entfernung bis zur Steckdose nicht mehr als 1,4 Meter beträgt (bei Netzstrombetrieb). Das Netzkabel keine Stolperfalle darstellt.
- Das Radio mindestens 1 Meter von anderen elektrischen Geräten entfernt ist, um Störungen zu vermeiden.
- Sie genug Platz haben, um die Teleskopantenne vollständig ausfahren zu können.
- Stellen Sie Ihr Radio niemals direkt auf antike oder polierte Oberflächen.

Stromanschluss

1. Schließen Sie das Netzkabel an die Buchse an der Seite des Radios an und fahren Sie die Teleskopantenne in einer vertikalen Position vollständig aus, um die maximale Signalstärke zu erreichen.
2. Stecken Sie das Netzteil in die Steckdose und schalten Sie das Gerät ein.
3. Schieben Sie den Ein-/Ausschalter auf der Rückseite des Funkgeräts auf die Position On. Das Produktdisplay leuchtet auf. „Welcome to Digital Radio“ („Willkommen zum digitalen Radio“) wird angezeigt und das Radio wechselt in den Standby-Modus.

Hinweis: Wenn Sie Ihr Radio mit Batterien betreiben, schieben Sie den Ein-/Ausschalter an der Seite des Radios auf On und halten Sie die Einschalttaste gedrückt. Das Produktdisplay leuchtet auf und „Welcome to Digital Radio“ („Willkommen zum digitalen Radio“) wird angezeigt. Das Radio sucht sofort nach DAB+ Sendern.

Batterien einsetzen

1. Bevor Sie die Batterien (nicht im Lieferumfang enthalten) einsetzen, vergewissern Sie sich bitte, dass das Radio ausgeschaltet ist (schieben Sie den Ein/Ausschalter an der Seite auf Off) und vom Stromnetz getrennt ist.
2. Drücken Sie auf der Rückseite des Radios auf die Lasche, um die Abdeckung des Batteriefachs zu entriegeln und zu entfernen.
3. Legen Sie 4 x 1,5-V-Batterien der Größe AA (auch als LR6 bezeichnet) ein. Achten Sie dabei auf die „+“- und „-“-Markierungen und legen Sie die Batterien richtig herum ein.
4. Bringen Sie die Abdeckung des Batteriefachs wieder an und achten Sie darauf, dass sie mit einem Klickgeräusch einrastet.

Verwendung Ihres DAB/FM-Radios

Einschalten

1. Halten Sie die Einschalttaste auf der Oberseite Ihres Radios gedrückt. Ihr Radio schaltet sich ein und beginnt einen automatischen Suchlauf nach DAB-Sendern. Ein Fortschrittsbalken zeigt den Fortschritt des

Suchlaufs an. Außerdem wird die Anzahl der während des Suchlaufs gefundenen Sender angezeigt.

2. Nachdem der Suchlauf abgeschlossen ist, wählt Ihr Radio den ersten verfügbaren Sender aus und beginnt mit der Wiedergabe. Die Sender werden standardmäßig in numerischer und dann in alphabetischer Reihenfolge aufgelistet.

Hinweis: Die DAB-Radio-Senderliste wird im Speicher abgelegt, so dass beim nächsten Einschalten des Radios keine Sendersuche mehr stattfindet. Sie können auch manuell nach Sendern suchen, indem Sie im Menü die Option Manual Scan (Manueller Suchlauf) wählen.

Einstellen der Lautstärke

- Im Uhrzeigersinn drehen, um die Lautstärke zu erhöhen (Lautst. 0 - 16).
- Gegen den Uhrzeigersinn drehen, um die Lautstärke zu verringern (Lautst. 0 - 16).
- Die Lautstärkeeinstellung wird auf dem Display angezeigt.
- Die Standardlautstärke ist 4.

Modus ändern

Drücken Sie kurz die Power/Enter-Taste, um zwischen den Modi DAB, FM und Bluetooth zu wechseln. Der Modus wird auf dem Display angezeigt.

Uhrzeit und Datum

Wenn Sie zum ersten Mal DAB-Radio hören, werden Uhrzeit und Datum Ihres Geräts automatisch mit der vom DAB-Dienst im 24-Stunden-Modus ausgesendeten Uhrzeit synchronisiert. Dies entspricht der Sommerzeit, so dass Sie Uhrzeit und Datum nicht manuell einstellen müssen (Standardzeit ist 01.01.2019 00:00 Uhr).

Wenn Sie die Uhrzeit und das Datum manuell einstellen möchten, schalten Sie das Radio ein und befolgen Sie die nachstehenden Schritte:

1. Halten Sie die Menu/Info-Taste gedrückt, um die Menüoptionen aufzurufen.
2. Drücken Sie kurz die Taste Prev oder Next, um zu System Settings (Systemeinstellungen) zu blättern. Drücken Sie den Select-Knopf zur Bestätigung.
3. Drücken Sie kurz die Taste Prev oder Next, um zu Time/Date (Zeit/Datum) zu blättern. Drücken Sie kurz den Select-Knopf zur Bestätigung. Set Time/Date (Zeit/Datum einstellen) wird angezeigt. Drücken Sie kurz den Select-Knopf.
4. Die Stundenziffern blinken. Drücken Sie kurz die Taste Prev oder Next, um die korrekte Stunde einzustellen. Drücken Sie den Select-Knopf, um fortzufahren.
5. Die Minutenziffern blinken. Drücken Sie kurz die Taste Prev oder Next, um die korrekte Minute einzustellen. Drücken Sie den Select-Knopf, um fortzufahren.
6. Die Tagesziffern blinken. Drücken Sie kurz die Taste Prev oder Next, um den korrekten Tag einzustellen. Drücken Sie den Select-Knopf, um fortzufahren.
7. Die Monatsziffern blinken. Drücken Sie kurz die Taste Prev oder Next, um den korrekten Monat einzustellen. Drücken Sie den Select-Knopf, um fortzufahren.
8. Die Jahresziffern blinken. Drücken Sie kurz die Taste Prev oder Next, um das korrekte Jahr einzustellen. Drücken Sie den Select-Knopf, um die Zeit-/Datumseinrichtung abzuschließen. „Time Saved“ („Zeit gespeichert“) wird angezeigt und das Display kehrt zur Option Time/Date (Zeit/Datum) zurück. Mit den Tasten Prev und Next zusammen mit dem Select-Knopf können Sie nun, wie Sie es zum Einstellen von Zeit und Datum getan haben, folgende Einstellungen vornehmen:
 - Auto-Update, um die Zeit wie folgt zu aktualisieren. Die Optionen sind Any (Jeder) vom DAB- und UKW-Signal; Digital Radio (Digitalradio); FM (UKW); No Update (Keine Aktualisierung).
 - Einstellung der 12/24-Stunden-Anzeige

- Einstellung des Datumsformats, DD-MM-YYYY oder MM-DD-YYYY

Verwendung von Kopfhörern

Sie können Kopfhörer mit einem 3,5-mm-Stecker (nicht im Lieferumfang enthalten) an Ihr Radio anschließen. Der Stereo-Kopfhöreranschluss befindet sich an der Seite des Radios. Nachdem Kopfhörer angeschlossen sind, wird der Radiolautsprecher ausgeschaltet und der gesamte Ton über die Kopfhörer ausgegeben.

Hinweis: Achten Sie stets auf die angemessene Lautstärke.

DAB-Radiomodus

Vergewissern Sie sich, dass sich Ihr Radio im DAB-Modus befindet. Wenn Sie sich noch nicht im DAB-Modus befinden, drücken Sie wiederholt kurz die Einschalt/Mode-Taste, bis Sie sich im DAB-Modus befinden (dies wird auf dem Display angezeigt).

Wenn Sie das Radio zum ersten Mal benutzen oder wenn die Senderliste leer ist, beginnt Ihr Radio automatisch mit der Suche nach DAB-Radiosendern. Ein Fortschrittsbalken zeigt den Fortschritt des Suchlaufs an. Außerdem wird die Anzahl der während des Suchlaufs gefundenen Sender angezeigt.

Wenn Sie beim Ausschalten des Radios einen DAB-Sender gehört haben, wird dieser Sender beim erneuten Einschalten des Radios automatisch ausgewählt.

Ändern von DAB-Sendern

1. Drücken Sie kurz die Tasten Next und Prev, um durch die verfügbaren Sender zu blättern.
2. Wenn der gewünschte Sender angezeigt wird, drücken Sie zur Bestätigung kurz den Select-Knopf. Nach einer kurzen Verzögerung stellt Ihr Radio den ausgewählten Sender ein.

Scannen nach DAB-Sendern

Die Liste der auf DAB-Radio verfügbaren Sender und Dienste erweitert sich ständig. Es wird daher empfohlen, von Zeit zu Zeit einen manuellen Suchlauf durchzuführen, um die in Ihrem Radio gespeicherte Senderliste zu aktualisieren. Wenn Sie Ihr Radio an einen anderen Ort versetzt haben, z. B. weil Sie im Urlaub sind, sollten Sie ebenfalls einen manuellen Suchlauf durchführen.

Im DAB-Modus:

1. Drücken Sie kurz die Taste Prev oder Next, um einen Sendersuchlauf zu starten. Die Anzeige wechselt zu „Scanning... „ („Scan läuft ...“). Ein Fortschrittsbalken zeigt den Fortschritt des Suchlaufs an. Außerdem wird die Anzahl der während des Suchlaufs gefundenen Sender angezeigt.

Entfernen von DAB-Sendern

Sie können die DAB-Sender, die in Ihrem Gebiet nicht empfangen werden können, aus der Senderliste entfernen. Diese werden in der Liste mit einem vorangestellten „?“ gekennzeichnet.

Im DAB-Modus: Halten Sie die Menu/Info-Taste gedrückt, um die Menüoptionen aufzurufen.

1. Drehen Sie den Select-Knopf oder drücken Sie kurz die Next-Taste, um zur Option Prune Invalid (Ungültige löschen) zu blättern. Drücken Sie den Select-Knopf zur Bestätigung.
2. „Proceed to prune the invalid stations Yes No“ („Ungültige Sender löschen Ja Nein“) wird angezeigt. Drücken Sie kurz die Taste Prev, um zu Ja zu blättern. Drücken Sie kurz den Select-Knopf, um zu bestätigen und die Senderliste zu bereinigen. Sender mit einem voreingestellten „?“ werden nun nicht mehr angezeigt.

Speichern einer DAB-Sendervoreinstellung

Ihr Radio kann bis zu 20 DAB-Radiosender in seinen Voreinstellungen speichern und ermöglicht Ihnen somit einen sofortigen Zugriff auf Ihre Lieblingssender. Außerdem können Sie eine Schnellvoreinstellung der 3 beliebtesten Sender vornehmen und diese abrufen.

1. Stellen Sie das Radio auf den DAB-Radiosender ein, den Sie voreinstellen möchten.
2. Halten Sie die Taste 1-2-3 etwa 2 Sekunden lang gedrückt, bis Save to Preset (In Voreinstellung speichern) und die nummerierte Voreinstellungsliste angezeigt werden.
3. Halten Sie die Taste Preset gedrückt, um Preset Options (Voreinstellungsoptionen) aufzurufen, und blättern Sie zu Preset Save (Voreinstellungsspeicher), auf dem Sie den Radiosender speichern möchten (1-20).
4. Drücken Sie den Select-Knopf zur Bestätigung. „Preset X saved“ („Voreinstellung X gespeichert“) wird angezeigt, wobei „X“ für die Sendernummer steht (6-20).

Hinweis: Wenn bereits ein DAB-Sender unter einer Voreinstellung gespeichert ist, wird dieser überschrieben, wenn Sie den neuen Sender speichern.

Radio auf einen voreingestellten DAB-Sender einstellen (Recall)

Im DAB-Modus:

1. Drücken Sie kurz die Taste 1-2-3, um die ersten drei Lieblingssender schnell abzurufen. Es wird entweder „Recall“ („Abrufen“) zusammen mit der nummerierten Senderliste und dem Namen oder der Frequenz des dort gespeicherten Senders angezeigt, oder „(Empty)“ („Leer“), wenn kein vorheriger Sender gespeichert wurde, angezeigt.
2. Halten Sie die Taste Preset gedrückt, um Preset Options (Voreinstellungsoptionen) aufzurufen, und blättern Sie unter Preset Recall (Voreinstellung abrufen) zum gewünschten Radiosender (6-20).

3. Drücken Sie den Select-Knopf zur Bestätigung. Das Radio stellt sich sofort auf diesen Sender ein und beginnt mit der Wiedergabe. Hinweis: Wenn unter der Taste Preset kein DAB-Sender gespeichert ist, wird „! Preset Empty“ („! Voreinstellung leer“) angezeigt, und das Radio schaltet auf den zuvor gewählten Sender zurück.

DAB-Anzeigeinformationen

Beim Hören eines DAB-Senders können Sie die Informationen ändern, die auf dem Display angezeigt werden. Es gibt verschiedene Arten von Informationen, die von den Sendern gesendet werden.

- **Dynamischer Labelbereich (DLS)** – hierbei handelt es sich um Textinformationen, die vom Sender bereitgestellt werden, z. B. der Name eines Interpreten oder eines Musiktitels, der Name eines DJs, Kontaktinformationen des Senders usw.
- **Programmtyp (PTY)** – z. B. „Rock“, „Pop“, „Gespräch“ oder „Nachrichten“.
- **Multiplex-Name**– zeigt das Sendegebiet und die Sammlung der Radiosender auf dieser Frequenz an, z. B.: BBC National DAB, Digital 1 Network.
- **Kanal und Frequenz** – z. B. 12B 225,648 MHz
- **Signalfehler und Stärke** – der Signalfehler wird als Zahl zwischen 0-99 angezeigt. Die Wiedergabequalität von Radiosendern mit einer Signalfehlerrate von mehr als 30 ist nicht mehr zufriedenstellend. Die Signalstärke wird als eine Reihe von ausgefüllten Balken angezeigt. Zwei schwarze Linien innerhalb der ausgefüllten Balken zeigen die Mindestsignalstärke für einen akzeptablen Empfang an. Je stärker das Signal ist, desto weiter rechts befindet

sich die Reihe der ausgefüllten Balken. Versuchen Sie, die Antenne auszurichten oder Ihr Radio an einem anderen Ort aufzustellen, um den Empfang zu verbessern.

- **Signalinformation** – die Datenrate der Signalübertragung.
- **Zeit und Datum** – werden vom Sender bereitgestellt.
 1. Drücken Sie wiederholt kurz die Menu/Info-Taste, um die verschiedenen Informationsoptionen zu durchlaufen.

WICHTIGE INFORMATIONEN ZUM DAB+-EMPFANG

Der DAB+-Radioempfang unterscheidet sich vom UKW-Radioempfang.

- Bei UKW können Sie bei schwachem Senderempfang häufig immer noch ein knisterndes oder knackendes Geräusch hören.
- DAB+-Empfang funktioniert digital. Daher hören Sie bei unzureichender Signalstärke nichts. Kein Zischen oder Knacken wie bei UKW. Dies liegt nicht am Radio, sondern an der Tatsache, dass das DAB+-Signal an diesem Ort nicht stark genug ist.
- Die DAB+-Regel lautet: kein oder schwacher Empfang = kein Ton.

Was können Sie tun, wenn Sie keinen direkten DAB+-Empfang haben?

- Richten Sie die Antenne zunächst immer gerade vertikal aus.
- Stellen Sie das Radio nicht zu nah an potenziellen Störquellen, wie z. B. Akkuladegeräten, rotierenden Maschinen, Computern, großen Metallflächen usw., auf.
- Bewegen Sie das Radio einige Meter.
- Schalten Sie das Radio ein und aktivieren Sie die vollständige Suche im DAB+-Menü
- Am Display des Radios sehen Sie den Fortschritt der Suche und die Anzahl der in der aktuellen Position des Radios gefundenen Sender.

Wichtig

- Beim DAB+-Empfang kann sich die Empfangsqualität innerhalb weniger Meter drastisch ändern. Bewegen Sie das Radio zur Suche nach einem stärkeren Signal, wenn das lokale DAB+-Signal schwach ist.
- Führen Sie die vollständige Suche erneut durch, wenn Sie das Radio an einen anderen Ort bringen. Dadurch sehen Sie, welche DAB+-Sender Sie dort empfangen können.

Dynamikbereichkomprimierung (DRC)

Im DAB-Modus:

Der Dynamikbereich für jedes Radioprogramm wird vom Sender für jeden Radiosender festgelegt und variiert je nach Art des ausgestrahlten Programms, wie z. B. Pop- oder klassische Musik oder eine Talkshow. Das Steuersignal des Dynamikbereichs wird parallel zum Audiosignal für jedes Programm übertragen. Ihr Radio verwendet dieses Steuersignal, um den Dynamikbereich (den Unterschied zwischen den lautesten und leisesten Tönen) des wiedergegebenen Audiosignals zu erweitern oder zu komprimieren. Die Änderung des Dynamikbereichs wirkt sich auf die Lautstärke und/oder die Klangqualität des wiedergegebenen Programms aus, wodurch es besser an Ihre Hörbedingungen und Ihre persönlichen Hörbedürfnisse angepasst wird.

Beispielsweise werden die leisen Töne bei Einstellung der Kompression auf Maximum in einer lauten Umgebung, in der leise Geräusche überdeckt werden können, „verstärkt“, während die lautesten Töne ihren ursprünglichen Pegel beibehalten.

Es gibt 3 Kompressionsstufen:

- **DRC off (DRC aus)**– keine Kompression. Dies ist die Standardeinstellung.
- **DRC low (DRC niedrig)** – mittlere Kompression.
- **DRC high (DRC hoch)** – maximale Kompression.

1. Halten Sie die Menu/Info-Taste gedrückt, um die Menüoptionen aufzurufen.
2. Drücken Sie kurz die Taste Next, um zu DRC zu blättern. Drücken Sie den Select-Knopf zur Bestätigung. Die aktuelle DRC-Einstellung wird hervorgehoben.
3. Drücken Sie kurz die Taste Next, um durch die verfügbaren Optionen zu blättern. Drücken Sie den Select-Knopf zur Bestätigung.

FM Radio (UKW-Radio) Modus

Wenn Sie sich noch nicht im UKW-Modus befinden, drücken Sie wiederholt kurz die Einschalt/Mode-Taste, um in den UKW-Modus zu wechseln (dies wird auf dem Display angezeigt).

Wenn Sie beim Ausschalten des Radios einen UKW-Sender gehört haben, wird dieser Sender beim erneuten Einschalten des Radios automatisch ausgewählt.

Einstellen eines UKW-Senders

1. Manueller Scan

- Halten Sie die Taste Next gedrückt, um das Frequenzband aufwärts zu durchsuchen.
- Halten Sie die Taste Prev gedrückt, um das Frequenzband abwärts zu durchsuchen.
- Drücken Sie kurz die Taste Next oder Prev, um nacheinander auf Frequenzen in 0,05-MHz-Schritten fein einzustellen.

Scan-Einstellung ändern

Im UKW-Modus:

1. Halten Sie die Menu/Info-Taste gedrückt, um die Menüoptionen aufzurufen.
2. Drücken Sie kurz die Taste Next, bis Scan-Einstellung angezeigt wird. Drücken Sie kurz den Select-Knopf. Die aktuelle Scan-Einstellung wird hervorgehoben.

Es stehen zwei verschiedene Optionen zur Auswahl:

- **Strong Stations Only (Nur starke Sender)** – Der Suchlauf stoppt nur, wenn ein starkes Signal empfangen wird. Dies sollte auch zu einer besseren Audioqualität führen. Möglicherweise wird aber der gewünschte Sender bei dieser Option nicht gefunden.
 - **All Stations (Alle Sender)** – Der Suchlauf wird bei jedem empfangenen Sender angehalten, auch wenn die Signalstärke schlecht ist.
1. Drücken Sie kurz die Taste Next, um zwischen zwei verfügbaren Optionen zu wählen. Drücken Sie den Select-Knopf zur Bestätigung.

Speichern einer UKW-Sendervoreinstellung

Ihr Radio kann bis zu 20 UKW-Radiosender in seinen Voreinstellungen speichern und ermöglicht Ihnen somit einen sofortigen Zugriff auf Ihre Lieblingssender. Außerdem können Sie eine Schnellvoreinstellung der 3 beliebtesten Sender vornehmen und diese abrufen.

1. Stellen Sie das Radio auf den gewünschten UKW-Radiosender ein.
2. Halten Sie die Taste 1-2-3 etwa 2 Sekunden lang gedrückt, bis Save to Preset (In Voreinstellung speichern) und die nummerierte Voreinstellungsliste angezeigt werden.
3. Halten Sie die Taste Preset gedrückt, um die Menüoptionen aufzurufen, und blättern Sie zu Preset Save (Voreinstellungsspeicher), auf dem Sie den Radiosender speichern möchten (1-20).
4. Drücken Sie den Select-Knopf zur Bestätigung. „Preset X saved“ („Voreinstellung X gespeichert“) wird angezeigt, wobei „X“ für die Sendernummer steht (1-20)

Hinweis: Wenn bereits ein UKW-Sender unter einer Voreinstellung gespeichert ist, wird dieser überschrieben, wenn Sie den neuen Sender speichern.

Radio auf einen voreingestellten UKW-Sender einstellen

Im UKW-Modus:

1. Drücken Sie kurz die Taste 1-2-3, um die ersten drei Lieblingssender schnell abzurufen. Es wird entweder „Recall“ („Abrufen“) zusammen mit der nummerierten Senderliste und dem Namen oder der Frequenz des dort gespeicherten Senders angezeigt, oder „(Empty)“ („Leer“), wenn kein vorheriger Sender gespeichert wurde, angezeigt.
2. Halten Sie die Taste Preset gedrückt, um voreinstellungsoptionen aufzurufen, und blättern Sie unter Preset Recall (Voreinstellung abrufen) zum gewünschten Radiosender (1-20).
3. Drücken Sie den Select-Knopf zur Bestätigung. Das Radio stellt sich sofort auf diesen Sender ein und beginnt mit der Wiedergabe.

Hinweis: Wenn unter der Taste Preset kein UKW-Sender gespeichert ist, wird „! Preset Empty“ („! Voreinstellung leer“) angezeigt, und das Radio schaltet auf den zuvor gewählten Sender zurück.

UKW-Anzeigeinformationen

Beim Hören eines UKW-Senders können Sie die Informationen ändern, die auf dem Display angezeigt werden.

- **Radio text (Radiotext) (RT)** – Dies sind Textinformationen, die vom Sender bereitgestellt werden. Dies könnte z. B. der Name eines Interpreten oder eines Musiktitels, der Name eines DJs, Kontaktinformationen des Senders usw. sein
- **Program Type (Programmtyp) (PTY)** – z. B. „Rock“, „Pop“, „Gespräch“ oder „Nachrichten“.
- **Station name or frequency (Sendername oder Frequenz)** – z. B. BBC R4 oder „93,30 MHz“
- **Zeit und Datum** – werden vom Sender bereitgestellt.

1. Drücken Sie wiederholt kurz die Menu/Info-Taste, um die verschiedenen Informationsoptionen zu durchlaufen.

Einstellen des Weckers

Hinweis: Überprüfen Sie vor der Einstellung eines Weckrufs, dass am Radio die richtige Uhrzeit und das richtige Datum angezeigt wird.

Schalten Sie Ihr Radio ein (nicht im Standby-Modus):

1. Drücken Sie die Taste Alarm.
2. Es gibt zwei Alarme, Alarm 1 und Alarm 2, drücken Sie die Tasten „Prev“ oder „Next“ und bestätigen Sie mit der Taste „Select“.
3. Für On time (Einschaltzeit) drücken Sie die Tasten „Prev“ oder „Next“, um die Zeit einzustellen, und bestätigen Sie mit der Taste „Select“.
4. Der Alarm dauert zwischen 10 und 60 Minuten. Drücken Sie die Tasten „Prev“ oder „Next“, um die Zeit einzustellen, und bestätigen Sie mit der Taste „Select“.
5. Drei Quellen für den Alarm: Buzzer, DAB und FM.
6. Vier Alarmmodi: Daily, Once, Weekends, Weekdays (Täglich, Einmal, Wochenende, Wochentage)
7. Alarm-Lautstärke ändert sich von Stufe 2 bis 16.
8. Für Alarm ON & OFF(Alarm EIN & AUS) drücken Sie zum Einstellen die Tasten „Prev“ oder „Next“ und bestätigen Sie mit der Taste „Select“

Beenden des Alarms

Wenn der Alarm ertönt, drücken Sie die Taste **Alarm** button. „Alarm off“ („Alarm aus“) wird angezeigt. Alternativ können Sie auch den Einschlafen/Select-Knopf drücken (siehe Einschlafen-Funktion unten). Hinweis: Das Alarmsymbol bleibt auf dem Display und der Alarm ertönt am nächsten Tag zur gleichen Zeit erneut, es sei denn, er wurde auf „Once“ („Einmal“) eingestellt.

Snooze (Schlummerfunktion)

Wenn der Wecker ertönt, können Sie den Snooze/Select-Knopf drücken, um eine Schlummerzeit von 10 Minuten einzulegen. Es wird ein Countdown für die Schlummerzeit angezeigt, bis der Alarm erneut ertönt.

Sleep Timer (Einschlafautomatik)

Sie können Ihr Radio so einstellen, dass es sich mit der Einschlafautomatik automatisch ausschaltet. Sie können zwischen den Optionen Sleep off (Schlaf aus), 15, 30, 45, 60, 90 und 120 Minuten wählen.

Schalten Sie Ihr Radio ein (nicht im Standby-Modus):

1. Halten Sie die Menu/Info-Taste gedrückt, um die Menüoptionen aufzurufen.
2. Drehen Sie den Select-Knopf oder drücken Sie kurz die Prev- oder Next-Taste, um zu System Settings (Systemeinstellungen) zu blättern. Drücken Sie kurz den Select-Knopf.
3. Sleep (Schlaf) ist hervorgehoben. Drücken Sie den Select-Knopf.
4. Drehen Sie den Select-Knopf oder drücken Sie kurz die Prev- oder Next-Taste, um durch die verfügbaren Optionen für die Einschlafautomatik (Sleep off (Schlaf aus), 15, 30, 45, 60 und 90 Minuten) zu blättern. Halten Sie an, wenn die gewünschte Einschlafzeit angezeigt wird, und drücken Sie den Select-Knopf.
5. Das Symbol S für die Einschlafzeit wird zusammen mit den von Ihnen gewählten Minuten oben rechts auf dem Radiodisplay angezeigt und zählt bis zum Ausschalten des Radios herunter.

Abbrechen der Einschlafautomatik

Gehen Sie bei eingeschaltetem Radio (nicht im Standby-Modus) wie oben beschrieben vor, um die Einschlafautomatik einzustellen, und wählen Sie in Schritt 4 „Sleep Timer Off“ („Einschlafautomatik aus“).

Zeitüberschreitung für die Hintergrundbeleuchtung des Displays

Sie können die Zeitspanne für die Hintergrundbeleuchtung des Displays einstellen. Es stehen die Optionen Permanently Off (Dauerhaft aus), 10, 20, 30, 45, 60, 90, 120 und 180 Sekunden zur Verfügung.

Schalten Sie Ihr Radio ein (nicht im Standby-Modus):

1. Halten Sie die Menu/Info-Taste gedrückt, um die Menüoptionen aufzurufen.
2. Drücken Sie kurz die Taste Prev oder Next, um zu System Settings (Systemeinstellungen) zu blättern. Drücken Sie den Select-Knopf.
3. Drücken Sie kurz die Taste Prev oder Next, um zurück zu Backlight (Hintergrundbeleuchtung) zu blättern. Drücken Sie kurz den Select-Knopf.
4. Timeout (Zeitüberschreitung) ist hervorgehoben. Drücken Sie kurz den Select-Knopf. Drücken Sie kurz die Taste Prev oder Next, um zur gewünschten Option für die Zeitüberschreitung der Hintergrundbeleuchtung zu blättern. Es stehen die Optionen Permanently Off (Dauerhaft aus), 10, 20, 30, 45, 60, 90, 120 und 180 Sekunden zur Verfügung. Drücken Sie kurz den Select-Knopf.

Drehen Sie nun den Select-Knopf oder drücken Sie die Tasten Prev oder Next, um zu blättern, und drücken Sie den Select-Knopf zur Bestätigung, wie Sie es bei der Einstellung der Zeitüberschreitung der Hintergrundbeleuchtung getan haben, um die Einstellungen für die Helligkeit der Hintergrundbeleuchtung für die Stufen On (Ein) und Dim


(Dimmen) zu ändern. Es stehen 3 Optionen zur Verfügung: High (Hoch), Medium (Mittel) und Low (Niedrig); die aktuelle Einstellung wird hervorgehoben.

Display language (Anzeigesprache)

Sie können die Anzeigesprache Ihres Radios ändern. Es stehen 13 Optionen zur Verfügung: English, Deutsch, Italiano, Français, Dansk, Nederlands, Suomi, Norsk, Polski, Portuguese, Español, Svenska und Türkçe. Die aktuelle Einstellung wird hervorgehoben. Schalten Sie Ihr Radio ein (nicht im Standby-Modus):

1. Halten Sie die Menu/Info-Taste gedrückt, um die Menüoptionen aufzurufen.
2. Drücken Sie die Taste Prev oder Next, um zu System Settings (Systemeinstellungen) zu blättern. Drücken Sie den Knopf.
3. Drücken Sie kurz die Taste Prev oder Next, um zu Language (Sprache) zu blättern. Drücken Sie den Knopf.
4. Drücken Sie kurz die Taste Prev oder Next, um zur gewünschten Sprache zu blättern. Drücken Sie den Knopf zur Bestätigung.

Bluetooth-Bedienung

1. Drücken Sie die Taste Mode , um Bluetooth Mode (Bluetooth-Modus) auszuwählen

Suchen Sie mit Ihrem Bluetooth-Gerät nach „Lenco PDR-016“ und wählen Sie es aus, um eine Verbindung zu Ihrem Radio herzustellen.

2. Drücken Sie die Taste **Select**, um Play (Wiedergabe) oder Pause (Pause) zu wählen.
3. Drücken Sie die Taste **Next**, um den nächsten Titel auszuwählen
4. Drücken Sie die Taste **Previ**, um den vorherigen Titel auszuwählen

5. Drücken Sie lange auf die Taste Pair, um die Verbindung mit dem abspielenden Bluetooth-Gerät zu trennen.

KOPFHÖRERBUCHSE

1. Wenn Sie Kopfhörer anschließen, werden die Lautsprecher deaktiviert.
2. Die Toneinstellungen wirken sich auch auf den Klang über die Kopfhörer aus.

HINWEIS: Drehen Sie die Lautstärke herunter, bevor Sie die Kopfhörer anschließen oder aufsetzen.

Wenn der Kopfhörerstecker in die Buchse eingesteckt wird, wird das Lautsprechersignal abgeschnitten.

Technische Daten

Netzadapter: Eingang AC 100-240 V 50/60 Hz 0,3 A Max.

Ausgang DC 5 V 1 A

Leistungsaufnahme: 5 W

Verwendete Batterien: 4 x 1,5 V Größe AA / LR6

Audioausgang: 1 x 1 W RMS

Frequenzbereich:

DAB: Band III, 174,9 MHz bis 239,2 MHz

UKW: 87,5 MHz bis 108 MHz

Kopfhöreranschluss: 3,5 mm Klinkenbuchse

Abmessungen (H x B x T): 9 x 17,8 x 5,5 mm

Netto-Gesamtgewicht: 0,3 kg

DAB- und UKW-Antennentyp: Teleskopantenne (Verstärkung 0 dB)

2.4 BT-Antennentyp: Rechteckige Wellenformantenne auf PCB (Verstärkung: 0 dB)

Bluetooth-RF-Leistung: < 0 dBm

Betriebsbedingungen: Temperatur: 5 °C bis 35 °C; Feuchtigkeit: 5% - 90 %

Informationen zum Netzteil:

Verwenden Sie nur das in der Gebrauchsanweisung angegebene Netzteil

Information	Wert und Genauigkeit
Name des Herstellers oder der Handelsmarke, kommerzielle Zulassung und Anschrift	DONGGUAN OBELIEVE ELECTRONIC CO., LTD Huazhaoxin Industrial Park B-4/F, Golden Phoenix Industrial Zone, Fenggan Town, Dongguan, Guangdong Province, P. R. China. Geschäftslizenz: 91441900050747698U
Modellidentifikator	OBL-0501000E, OBL-0501000B
Eingangsspannung	AC 100-240 V 0,3 A Max.
Wechselstromfrequenz des AC-Eingangs	50/60 Hz
Ausgangsspannung	DC 5 V
Ausgangsstrom	1,0 A
Ausgangsleistung	5,0 W
Durchschnittliche Effizienz bei Normallast	74,16%
Effizienz bei Niederlast (10 %)	–
Leistungsaufnahme im Leerlauf	0,045 W

GARANTIE

Lenco bietet Leistungen und Garantien im Einklang mit Europäischem Recht. Setzen Sie sich deshalb im Falle von Reparaturen (sowohl während als auch nach Ablauf der Garantiezeit) mit Ihrem Fachhändler in Verbindung.

Wichtiger Hinweis: Es ist nicht möglich, Produkte für Reparaturen direkt an Lenco zu schicken.

Wichtiger Hinweis: Wenn dieses Gerät aus welchem Grund auch immer durch ein nicht offizielles Servicezentrum geöffnet oder durch dieses Servicezentrum darauf zugegriffen wurde, erlischt die Garantie.

Dieses Gerät ist nicht für professionelle Zwecke geeignet. Falls das Gerät für professionelle Zwecke eingesetzt wird, erlöschen alle Garantieverpflichtungen seitens des Herstellers.

HAFTUNGSAUSSCHLUSS

Aktualisierungen der Firmware und/oder Hardware-Komponenten werden regelmäßig durchgeführt. Aus diesem Grund können einige der Anweisungen, Spezifikationen und Abbildungen in dieser Dokumentation von dem Ihnen vorliegenden Gerät geringfügig abweichen. Alle in diesem Handbuch beschriebenen Elemente dienen nur zur Illustration und treffen auf Ihre individuelle Situation möglicherweise nicht zu. Aus der in diesem Handbuch getätigten Beschreibung können keine Rechtsansprüche oder Leistungsanforderungen geltend gemacht werden.

ENTSORGUNG DES ALTGERÄTES



Dieses Symbol zeigt an, dass das entsprechende Produkt oder dessen Akku/Batterie in Europa nicht mit dem normalen Hausmüll entsorgt werden darf. Um die ordnungsgemäße Abfallbehandlung des Produkts und dessen Akku/Batterie zu gewährleisten, müssen diese im Einklang mit allen anwendbaren örtlichen Vorschriften

zur Entsorgung von Elektrogeräten und Akkus/Batterien entsorgt werden. Dadurch helfen Sie, natürliche Ressourcen zu schonen und Umweltschutzstandards zur Verwertung und Entsorgung von Altgeräten aufrecht zu halten (Richtlinie über Entsorgung Elektrischer und Elektronischer Altgeräte).

CE-ZEICHEN

Hiermit erklärt Commaxx B.V. Wiebachstraat 37, 6466 NG Kerkrade, Niederlande, dass dieses Produkt den grundsätzlichen Anforderungen der EU-Richtlinien entspricht.

Die Konformitätserklärung kann unter folgendem Link abgerufen werden: techdoc@commaxxgroup.com



SERVICE

Besuchen Sie bitte für weitere Informationen und unseren Kundendienst unsere Homepage www.lenco.com

Commaxx B.V., Wiebachstraat 37, 6466 NG Kerkrade, Niederlande

MISE EN GARDE :

L'utilisation de commandes ou réglages, ou l'exécution de procédures autres que ceux spécifiés dans ce manuel peut entraîner une exposition à des rayonnements dangereux.

PRÉCAUTIONS AVANT UTILISATION

GARDEZ CES INSTRUCTIONS À L'ESPRIT :

1. Ne couvrez ni n'obtenez aucune ouverture de ventilation. Lorsque l'appareil est placé sur une étagère, laissez un espace libre de 5 cm (2") autour de l'appareil.
2. Réalisez l'installation conformément au mode d'emploi fourni.
3. Gardez l'appareil à l'écart des sources de chaleur telles que radiateurs, chauffages, cuisinières, bougies et autres équipements générant de la chaleur ou une flamme nue. L'appareil ne doit être utilisé que dans un climat modéré. Les environnements extrêmement froids ou chauds doivent être évités. La température de fonctionnement doit se situer entre 0 et 35 °C.
4. Évitez d'utiliser l'appareil à proximité de champs magnétiques puissants.
5. Des décharges électrostatiques peuvent perturber le fonctionnement normal de cet appareil. Dans ce cas, réinitialisez et redémarrez l'appareil en suivant le manuel d'utilisation. Pendant le transfert de fichiers, manipulez l'appareil avec précaution dans un environnement privé d'électricité statique.
6. Avertissement ! N'introduisez jamais un objet dans l'appareil par les ouvertures et fentes de ventilation. Étant donné que des tensions élevées sont présentes à l'intérieur du produit, l'insertion d'objets peut entraîner une électrocution ou court-circuiter les composants internes. Pour les mêmes raisons, ne renversez pas d'eau ou de liquide sur l'appareil.
7. Ne l'utilisez pas dans des endroits humides tels qu'une salle de bain, une cuisine pleine de vapeur ou à proximité d'une piscine.
8. L'appareil ne doit pas être exposé à des écoulements ou des éclaboussures et aucun objet contenant un liquide, tel qu'un vase, ne doit être posé sur ou près de l'appareil.
9. N'utilisez pas cet appareil lorsque de la condensation est possible. Lorsque l'appareil est utilisé dans une pièce chaude et humide, des gouttelettes d'eau ou de la condensation peuvent se former à l'intérieur de l'appareil et affecter son fonctionnement adéquat. Si tel est le cas, laissez l'appareil hors tension pendant 1 ou 2 heures avant de le mettre en marche : l'appareil doit être sec avant toute remise en marche.
10. Bien que ce dispositif soit fabriqué avec le plus grand soin et contrôlé à plusieurs reprises avant de quitter l'usine, des problèmes peuvent néanmoins survenir, comme avec tous les appareils électriques. Si l'appareil émet de la fumée ou en cas d'accumulation excessive de la chaleur ou d'un phénomène inattendu, débranchez immédiatement la fiche d'alimentation du secteur.

11. Cet appareil doit fonctionner avec la source d'alimentation indiquée sur la plaque signalétique. Si vous n'êtes pas sûr de votre type d'alimentation électrique, contactez le revendeur ou la compagnie d'électricité locale.
12. Gardez l'appareil à l'écart des animaux. Certains animaux aiment mordre sur les cordons électriques.
13. Pour nettoyer l'appareil, utilisez un chiffon doux et sec. N'utilisez ni solvant ni liquide à base de pétrole. Pour enlever les taches tenaces, utilisez un chiffon humide imbibé d'une solution de détergent diluée.
14. Le fournisseur n'est pas responsable des dommages ou pertes de données causés par un dysfonctionnement, une utilisation abusive, une modification de l'appareil ou un remplacement de la batterie.
15. Ne coupez aucune connexion lorsque l'appareil effectue un formatage ou transfert de fichiers. Autrement, les données risquent d'être corrompues ou perdues.
16. Si l'appareil dispose d'une fonction de lecture USB, il faut brancher la clé USB directement sur l'appareil. N'utilisez pas de rallonge USB, car cela peut causer des interférences provoquant une perte de données.
17. La plaque signalétique se situe en dessous ou à l'arrière de l'appareil.
18. Cet appareil n'est pas destiné à être utilisé par des personnes (enfants compris) souffrant de handicaps physiques, sensoriels ou mentaux, ou manquant d'expérience et de connaissances, sauf si elles sont sous surveillance ou ont reçu des instructions sur l'utilisation correcte de l'appareil de la part de la personne responsable de leur sécurité.
19. Cet appareil est réservé à un usage non professionnel, et non pas à un usage commercial ou industriel.
20. Vérifiez que l'appareil est positionné de manière stable. La garantie ne couvre pas les dégâts occasionnés par l'utilisation de cet appareil en position instable, son exposition à des vibrations ou chocs, ou par le non-respect de tout autre avertissement ou précaution contenus dans ce guide d'utilisation.
21. N'ouvrez jamais cet appareil.
22. Ne placez jamais cet appareil sur un autre appareil électrique.
23. Ne laissez pas les sacs en plastique à la portée des enfants.
24. N'utilisez que des pièces/accessoires recommandés par le fabricant.
25. Confiez tout entretien à un personnel de service qualifié. Une réparation est nécessaire lorsque l'appareil a été endommagé de quelque façon que ce soit, par exemple lorsque le cordon d'alimentation ou sa fiche est endommagée, lorsqu'un liquide a été renversé ou des objets ont été introduits dans l'appareil, lorsqu'il a été exposé à la pluie ou à l'humidité, lorsqu'il ne fonctionne pas correctement ou s'il est tombé.
26. Une exposition prolongée à la musique avec un volume élevé peut entraîner une perte auditive temporaire ou permanente.
27. Si l'appareil est livré avec un câble d'alimentation ou un adaptateur secteur :
 - En cas de problème, débranchez le cordon d'alimentation secteur et confiez l'entretien à un personnel qualifié.
 - Ne marchez pas sur l'adaptateur secteur et ne le pincez pas. Faites très attention, en particulier lorsque vous êtes à proximité des fiches et du point de

sortie du câble. Ne placez aucun objet lourd sur l'adaptateur secteur, il pourrait l'endommager. Gardez l'appareil hors de portée des enfants ! Les enfants pourraient se blesser gravement s'ils jouent avec le cordon d'alimentation.

- Débranchez cet appareil pendant les orages ou lorsqu'il n'est pas utilisé pendant une longue durée.
- La prise secteur doit être installée près de l'appareil et doit être facilement accessible.
- Ne surchargez pas les prises de courant ou les rallonges. Une surcharge peut entraîner un incendie ou une électrocution.
- Un appareil étant de classe 1 doit être branché dans une prise secteur disposant d'une mise à la terre.
- Les appareils de classe 2 ne nécessitent pas de mise à la terre.
- Tirez toujours sur la fiche lorsque vous la retirez de la prise d'alimentation secteur. Ne tirez pas sur le cordon d'alimentation. Cela pourrait provoquer un court-circuit.
- N'utilisez ni cordon, ni fiche endommagés, ni une prise mal fixée. Cela pourrait entraîner une électrocution ou un incendie.

28. Si l'appareil contient ou est livré avec une télécommande contenant des piles boutons/piles :

Avertissement :

- « N'avalez pas les piles ! Risque de brûlure chimique » ou équivalent.
- [La télécommande fournie avec] cet appareil contient une pile bouton/pile. Si la pile bouton est avalée, elle peut causer des brûlures internes graves en seulement 2 heures et peut conduire à la mort.
- Gardez les piles neuves et usées hors de la portée des enfants.
- Si le compartiment à pile ne se ferme pas correctement, cessez d'utiliser l'appareil et gardez-le hors de portée des enfants.
- Si vous pensez que les piles ont été avalées ou ingérées d'une manière ou d'une autre, consultez immédiatement un médecin.

29. Avertissements sur l'utilisation des piles :

- Risque d'explosion si la pile n'est pas remplacée correctement. Ne les remplacez que par des piles du même type ou d'un type équivalent.
- Les piles ne doivent pas être soumises à des températures extrêmement élevées ou basses, à une faible pression d'air à haute altitude pendant l'utilisation, le stockage ou le transport.
- Tout remplacement de pile par un type incorrect peut entraîner une explosion ou une fuite de liquide ou de gaz inflammable.
- L'élimination d'une pile dans le feu ou dans un four chaud, l'écrasement ou le découpage mécanique peut entraîner une explosion.
- Laisser une pile dans un environnement à température extrêmement élevée peut entraîner une explosion ou une fuite de liquide ou de gaz inflammable.
- L'exposition d'une pile à une pression d'air extrêmement basse peut entraîner une explosion ou une fuite de liquide ou de gaz inflammable.

- Une attention particulière doit être portée sur les aspects environnementaux d'élimination des piles.

INSTALLATION

- Déballez tous les composants et enlevez les matériaux de protection.
- Ne branchez pas l'appareil sans avoir vérifié la tension secteur et sans avoir effectué tous les autres branchements.

AVERTISSEMENT



AVERTISSEMENT : Écouter de la musique au volant peut réduire la concentration du conducteur et l'exposer au danger, notamment à la collision avec une autre voiture.



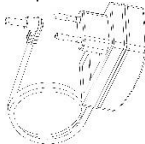
Avertissement : Pour éviter d'éventuels dommages auditifs, n'écoutez pas de la musique à des niveaux de volume élevés pendant de longues périodes.

ACCESSOIRES

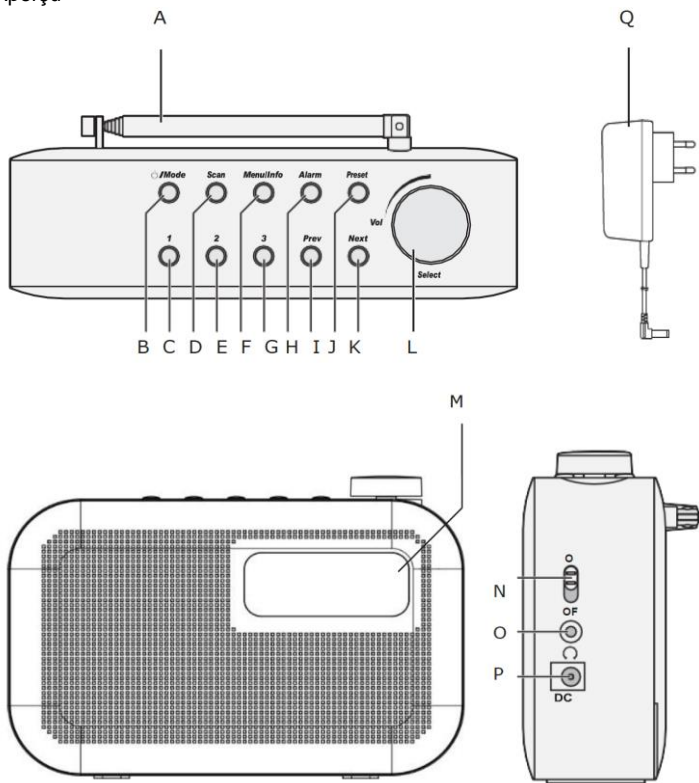
- Manuel d'utilisation



Adaptateur électrique



Aperçu



COMMANDES ET COMPOSANTS

- A. Antenne télescopique
- B. Bouton de mise en veille/ de mode
- C. Préréglage 1
- D. Bouton de recherche
- E. Préréglage 2
- F. Bouton Menu / Info
- G. Préréglage 3
- H. Bouton d'Alarme
- I. Bouton Préc.
- J. Bouton de préréglage
- K. Bouton Suivant
- L. Bouton Vol / Select
- M. Affichage
- N. Commutateur marche/arrêt
- O. Prise casque
- P. Prise d'entrée CC 5 V CC
- Q. Adaptateur CC 5 V 1 A

Positionnement de votre radio DAB/FM

Veillez définir au préalable l'emplacement de votre radio et rassurez-vous qu'elle est :

- placée sur une surface plane et stable.
- installée à moins de 1,4 mètre d'une prise de courant (si vous utilisez l'alimentation secteur). Rassurez-vous que le câble d'alimentation secteur ne présente pas de risque de trébuchement.
- installée à moins d'un mètre des autres appareils électriques pour éviter les interférences.
- installée à une position où vous pouvez étendre complètement l'antenne télescopique.
- Ne placez jamais votre radio directement sur des surfaces anciennes ou polies.

Branchement électrique

1. Branchez le câble d'alimentation secteur dans la prise située sur le côté de la radio et étendez complètement l'antenne télescopique en position verticale pour optimiser la puissance du signal.
2. Branchez l'adaptateur électrique dans la prise murale et mettez-le sous tension.
3. Faites glisser le commutateur d'alimentation On/Off situé à l'arrière de la radio sur On. L'écran de l'appareil s'allume et affiche : « Welcome to Digital Radio » (Bienvenue sur votre radio numérique) puis votre radio passe en mode veille.

Remarque : Lorsque vous utilisez des piles pour alimenter votre radio, faites glisser le commutateur d'alimentation On/Off situé sur le côté de la radio en position ON, appuyez sur le bouton d'alimentation et maintenez-le enfoncé, l'écran de l'appareil s'allume et affiche : « Welcome to Digital Radio » (Bienvenue sur votre radio numérique). La radio recherche immédiatement les stations DAB+.

Insertion des piles

1. Avant d'insérer les piles (non fournies), rassurez-vous que la radio est éteinte (faites glisser le commutateur d'alimentation situé sur le côté sur Off) et qu'elle est débranchée de l'alimentation secteur.
2. Poussez la languette située à l'arrière de la radio pour débloquer et retirer le couvercle du compartiment à piles.
3. Insérez 4 piles AA de 1,5 V (également connues sous le nom de LR6) tout en respectant les repères « + » et « - » et en les positionnant dans le bon sens.
4. Remettez le couvercle du compartiment à piles en place en vous assurant de bien le fermer.

Utilisation de votre radio DAB/FM

Mise en marche

1. Appuyez sur le bouton d'alimentation situé au-dessus de votre radio et maintenez-le enfoncé. Votre radio s'allume et recherche automatiquement les stations DAB. Une barre de progression

indique l'évolution de la recherche, puis le nombre de stations trouvées s'affiche.

2. Une fois la recherche terminée, votre radio sélectionne la première station trouvée et commence la lecture. Les stations par défaut sont classées par ordre numérique, puis alphabétique.

Remarque : La liste des stations radio DAB est enregistrée dans la mémoire de sorte qu'au prochain démarrage de la radio, celle-ci ne recherchera plus automatiquement les stations. Il est possible de rechercher manuellement les stations en choisissant l'option de recherche manuelle du menu.

Réglage du volume

- Tournez dans le sens des aiguilles d'une montre pour augmenter le volume (Vol. 0-16).
- Tournez dans le sens inverse des aiguilles d'une montre pour diminuer le volume (Vol. 0-16).
- Vérifiez l'affichage, il confirme le réglage du volume.
- Le volume par défaut est de 4.

Changement de mode

Appuyez sur le bouton d'alimentation/Entrée et relâchez-le pour sélectionner les modes DAB, FM et Bluetooth. Veuillez vérifier l'affichage, il confirmera le mode.

Heure et date

La première fois que vous écouterez la radio DAB, l'heure et la date de votre produit seront automatiquement synchronisées avec celles du service DAB en mode 24 heures ; ce qui correspond à l'heure d'été ; il n'est donc pas nécessaire de régler l'heure et la date manuellement (la valeur par défaut est 1/1/2019 00 :00).

Si vous souhaitez régler l'heure et la date manuellement, allumez la radio et suivez les étapes suivantes :

1. Appuyez sur le bouton Menu/Info et maintenez-le enfoncé pour accéder aux options du menu.
2. Appuyez brièvement sur le bouton Prev ou Next pour accéder au menu « System Settings » (Paramètres du système). Appuyez sur le bouton Select pour confirmer.
3. Appuyez brièvement sur le bouton Prev ou Next pour accéder au menu « Time/Date » (Heure/Date). Appuyez brièvement sur le bouton Select pour confirmer. Les paramètres de la date et de l'heure s'affichent. Appuyez brièvement sur le bouton Select.
4. Les chiffres des heures clignotent. Appuyez brièvement sur le bouton Prev ou Next pour défiler jusqu'à l'heure correcte. Appuyez sur le bouton Select pour continuer.
5. Les chiffres des minutes clignotent. Appuyez brièvement sur le bouton Prev ou Next pour défiler jusqu'à la minute correcte. Appuyez sur le bouton Select pour continuer.
6. Les chiffres du jour clignotent. Appuyez brièvement sur le bouton Prev ou Next et relâchez-le pour défiler jusqu'au jour correct. Appuyez sur le bouton Select pour continuer.
7. Les chiffres du mois clignotent. Appuyez brièvement sur le bouton Prev ou Next pour défiler jusqu'au mois correct. Appuyez sur le bouton Select pour continuer.
8. Les chiffres de l'année clignotent. Appuyez brièvement sur le bouton Prev ou Next pour faire défiler jusqu'à l'année correcte. Appuyez sur le bouton Select pour terminer le réglage de l'heure et de la date. Une fois que « L'heure enregistrée » s'affiche, les options Heure/Date s'affichent à nouveau à l'écran. Vous pouvez maintenant utiliser les boutons Prev et Next, ainsi que le bouton Select, comme vous l'avez fait pour définir l'heure et la date dans les paramètres pour :
 - La mise à jour automatique afin d'actualiser l'heure à partir de n'importe quelle source (DAB et FM), de la radio numérique, de la radio FM ou pas de mise à jour.

- Régler l'affichage de l'horloge au format 12/24 heures
- Régler le format de la date, JJ-MM-AAAA ou MM-JJ-AAAA

Utilisation des écouteurs

Vous pouvez connecter des écouteurs avec une fiche de 3,5 mm (non fournie) à votre radio. La prise casque stéréo se trouve sur le côté de la radio. Lorsque les écouteurs sont branchés, le haut-parleur de la radio est désactivé et tout le son est transmis par les écouteurs.

Remarque : Gardez toujours le volume dans des limites raisonnables.

Mode radio DAB

Vérifiez que votre radio est en mode DAB. Si vous n'êtes pas déjà en mode DAB, appuyez brièvement sur le bouton d'alimentation / Mode jusqu'à ce que vous soyez en mode DAB (vérifiez l'affichage).

Si la liste de station est vide la première fois que vous utilisez la radio, votre radio recherche automatiquement les stations de radio DAB. Une barre de progression indique l'évolution de la recherche, puis le nombre de stations trouvées s'affiche.

Si vous écoutiez une station DAB lorsque vous avez éteint la radio, cette station sera automatiquement sélectionnée au prochain démarrage de la radio.

Changement de stations DAB

1. Appuyez sur les boutons Next et Prev et relâchez-les pour faire défiler les stations disponibles.
2. Lorsque la station que vous souhaitez écouter s'affiche, appuyez brièvement sur le bouton Select pour confirmer. Votre radio se synchronise en un laps de temps avec la station sélectionnée.

Recherche de stations DAB

Les stations et des services supplémentaires sont régulièrement disponibles avec la radio DAB. Il est donc conseillé d'effectuer une recherche manuelle de temps en temps pour s'assurer que la liste des stations la plus récente est enregistrée dans la mémoire de votre radio. Si vous avez déplacé votre radio dans un autre endroit, par exemple si vous partez en vacances, il est également judicieux d'effectuer une recherche manuelle.

En mode DAB :

1. Appuyez brièvement sur le bouton Prev ou Next pour rechercher les stations. L'écran affiche « Recherche... ». « . Une barre de progression indique l'évolution de la recherche, puis le nombre de stations trouvées s'affiche.

Suppression des stations DAB

Vous pouvez supprimer les stations DAB qui ne peuvent pas être captées dans votre zone de la liste des stations. Celles-ci sont répertoriées avec un préfixe « ? »

En mode DAB : Appuyez sur le bouton Menu/Info et maintenez-le enfoncé pour accéder aux options du menu.

1. Appuyez brièvement sur le bouton Select ou Next pour défiler jusqu'à l'option « Prune Invalid » (Supprimer les stations non valides). Appuyez sur le bouton Select pour confirmer.
2. La mention « Poursuivre la suppression des stations non valides ? Oui/Non » s'affiche. Appuyez brièvement sur le bouton Prev pour défiler jusqu'à Oui. Appuyez brièvement sur le bouton Select pour confirmer et supprimer la liste des stations. Les stations avec un préfixe « ? » ne s'affichent plus.

Enregistrement d'un préréglage de station DAB

Votre radio peut enregistrer jusqu'à 20 stations de radio DAB dans ses mémoires de préréglage pour accéder instantanément à vos stations préférées. Et vous pouvez préréglager ou rappeler rapidement les trois premières stations préférées.

1. Syntonisez la radio sur la station de radio DAB que vous souhaitez préréglager.
2. Appuyez sur le bouton 1-2-3 et maintenez-le enfoncé pendant environ 2 secondes jusqu'à la sauvegarde aux préréglages, puis la liste numérotée des préréglages s'affiche.
3. Appuyez et maintenez enfoncé le bouton Preset pour accéder aux options de préréglage et faites défiler jusqu'à l'enregistrement de la station de radio que vous souhaitez sauvegarder (1-20).
4. Appuyez sur le bouton Select pour confirmer. L'écran affiche Preset X saved (préréglage X sauvegardé), sachant que « X » est le numéro du préréglage (1-20).

Remarque : Si une station DAB existante est déjà enregistrée sous un préréglage, elle sera remplacée lorsque vous enregistrerez la nouvelle station.

Syntonisation d'une station DAB préréglée (Rappel)

En mode DAB :

1. Appuyez brièvement sur le bouton 1-2-3 pour rappeler rapidement les 3 premières stations préférées, « Rappel » s'affiche avec la liste numérotée des préréglages et le nom ou la fréquence de la station qui y est enregistrée, ou (Vide) si aucune station précédente n'a été enregistrée.
2. Appuyez sur le bouton Preset et maintenez-le enfoncé pour accéder aux options de préréglage et faites défiler à partir de Rappel de préréglage jusqu'à l'emplacement de préréglage et la station que vous souhaitez écouter (1-20).

3. Appuyez sur le bouton Select pour confirmer. La radio se syntonise instantanément sur cette station et commence à diffuser. Remarque : Si aucune station DAB n'a été enregistrée sous le bouton de préréglage, « ! Preset Empty » (Préréglage vide) s'affiche, alors la radio revient à la station radio précédemment sélectionnée.

Informations sur l'affichage DAB

Lorsque vous écoutez une station DAB, vous pouvez modifier les informations qui s'affichent à l'écran. Plusieurs types d'informations différentes sont envoyées par le radiodiffuseur.

- **Segment d'étiquette dynamique (DLS)** - il s'agit des informations textuelles fournies par le radiodiffuseur, comme le nom d'un artiste ou un titre de musique, le nom du DJ, les coordonnées de la station de radio, etc.
- **Type de programme (PTY)** - Comme « Rock », « Pop », « Talk » ou « News ».
- **Nom du multiplex** - affiche la zone de diffusion et la collection de stations de radio sur cette fréquence, par exemple : BBC National DAB, Digital 1 Network.
- **Canal et fréquence** - par ex : 12B 225.648 MHz
- **Erreur et intensité du signal** - le défaut du signal est affiché sous la forme d'un nombre compris entre 0 et 99. Il ne serait pas possible de bien écouter une station de radio avec un débit de défaut de signal de 30 ou plus. L'intensité du signal est affichée sous la forme d'une rangée de rectangles pleins. Deux lignes noires à l'intérieur des rectangles pleins indiquent l'intensité minimale du signal pour une écoute acceptable. Plus le signal est fort, plus la rangée de rectangles pleins s'étend

vers la droite. Essayez de régler l'antenne ou de déplacer votre radio pour améliorer la réception.

- **Informations sur le signal** - le débit de données auquel le signal est transmis.
- **Heure et date** - indiquées par le radiodiffuseur.
 1. Appuyez brièvement et à plusieurs reprises sur le bouton Menu/Infos pour faire défiler les différentes options d'information.

INFORMATIONS IMPORTANTES CONCERNANT LA RÉCEPTION DAB+

La réception radio DAB+ est différente de la réception radio FM.

- En mode FM, vous pouvez souvent encore recevoir une station faible, mais probablement avec des crépitements ou des grésillements.
- La réception DAB + fonctionne numériquement par conséquent si le signal n'est pas fort, vous n'entendrez rien. Il n'y a pas de sifflement ou de crépitements comme en mode FM. Cela n'est pas dû à la radio, mais au fait que le signal DAB+ n'est pas assez fort à cet endroit.
- La règle pour le mode DAB + est : pas de réception ou réception faible = pas de son.

Que pouvez-vous faire si vous n'avez pas de réception DAB+ directe ?

- Positionnez toujours l'antenne en position verticale en premier.
- Ne placez pas la radio trop près des sources potentielles d'interférence telles que les chargeurs de batterie, les machines rotatives, les ordinateurs, les grandes surfaces métalliques, etc.
- Déplacez la radio de quelques mètres.

- Allumez la radio et activez une recherche complète dans le menu DAB+
- Sur l'affichage de la radio, vous verrez la progression de la recherche ainsi que le nombre de stations trouvées à l'emplacement actuel de la radio.

Important

- Avec la réception DAB+, il peut y avoir une très grande différence de niveau de réception entre un emplacement donné et « quelques mètres » plus loin. En présence d'un signal local DAB+ faible, déplacez la radio pour trouver un signal plus fort.
- Si vous déplacez la radio à un autre endroit, effectuez à nouveau une recherche complète. Cela vous montrera quelles stations DAB+ peuvent y être reçues.

Contrôle de la plage dynamique (DRC)

En mode DAB :

La plage dynamique de chaque programme radio est fixée par le radiodiffuseur pour chaque station de radio et peut être différente selon le type de programme diffusé, par exemple de la musique pop ou classique ou une émission de discussion. Le signal de contrôle de la plage dynamique est transmis en parallèle avec le signal audio de chaque programme. Avec votre radio, vous pouvez utiliser ce signal de contrôle pour étendre ou comprimer la plage dynamique (la différence entre les sons les plus forts et les plus faibles) du signal audio reproduit. La modification de la plage dynamique peut affecter l'intensité et/ou la qualité du son du programme que vous écoutez afin qu'il soit mieux adapté à vos conditions d'écoute et à vos besoins personnels.

Par exemple, dans un environnement bruyant, où les sons faibles risquent d'être étouffés, le fait de régler la compression au maximum « amplifiera » les sons faibles, tout en maintenant les sons les plus forts à leur niveau d'origine.

Il existe 3 niveaux de compression :

- **DRC off (DRC désactivé)** - pas de compression. Il s'agit du paramètre par défaut.
- **DRC low (DRC faible)** - compression moyenne.
- **DRC high (DRC élevé)** - compression maximale.

1. Appuyez sur le bouton Menu/Info et maintenez-le enfoncé pour accéder aux options du menu.
2. Appuyez sur le bouton Next pour accéder au DRC. Appuyez sur le bouton Select pour confirmer. Le paramètre actuel du DRC s'affiche.
3. Appuyez brièvement sur le bouton Next pour faire défiler les options disponibles et sur le bouton Select pour confirmer.

Mode radio FM

Si vous n'êtes pas déjà en mode FM, appuyez brièvement sur le bouton d'alimentation / Mode pour passer en mode FM (vérifiez l'affichage)

Si vous écoutiez une station FM lorsque vous avez éteint la radio, cette station sera automatiquement sélectionnée au prochain démarrage la radio.

Réglage sur une station FM

1. Recherche manuelle

- Appuyez sur le bouton Next et maintenez-le enfoncé pour parcourir la bande de fréquences vers le haut.
- Appuyez sur le bouton Prev et maintenez-le enfoncé pour parcourir la bande de fréquences vers le bas.
- Appuyez brièvement sur le bouton Next ou Prev pour ajuster le réglage de chaque fréquence par incrément de 0,05 MHz.

Modification des paramètres de recherche

En mode FM :

1. Appuyez sur le bouton Menu/Info et maintenez-le enfoncé pour accéder aux options du menu.

2. Appuyez brièvement sur le bouton Next jusqu'à ce que le paramètre de recherche s'affiche. Appuyez sur le bouton Select. Le paramètre de recherche actuel s'affiche.

Vous avez le choix entre deux options :

- **Strong Stations Only (Stations fortes uniquement)** - La recherche ne s'arrête que lorsqu'un signal fort est reçu, offrant ainsi une meilleure qualité audio. Il est possible que la station que vous recherchez ne soit pas détectée avec cette option.
 - **All Stations (Toutes les stations)** - La recherche s'arrête pour chaque station qu'elle capte, même si l'intensité du signal est faible.
1. Appuyez brièvement sur le bouton Next pour choisir parmi les deux options disponibles et appuyez sur le bouton Select pour confirmer.

Sauvegarde d'une station FM préréglée

Votre radio peut stocker jusqu'à 20 stations de radio FM dans ses mémoires de préréglage pour un accès instantané aux stations favorites. Et vous pouvez préréglager ou rappeler rapidement les trois premières stations préférées.

1. Réglez la radio sur la station FM que vous souhaitez préréglager.
2. Appuyez sur le bouton 1-2-3 et maintenez-le enfoncé pendant environ 2 secondes jusqu'à la sauvegarde aux préréglages, puis la liste numérotée des préréglages s'affiche.
3. Appuyez et maintenez enfoncée la touche Preset pour accéder aux options du menu et faites défiler jusqu'à l'enregistrement de la station de radio que vous souhaitez sauvegarder (1-20).
4. Appuyez sur le bouton Select pour confirmer. L'écran affiche Preset X saved (préréglage X sauvegardé), sachant que « X » est le numéro du préréglage (1-20).

Remarque : Si une station FM existante est déjà sauvegardée sous un préréglage, elle sera remplacée lorsque vous sauvegarderez la nouvelle station.

Réglage sur une station FM préréglée

En mode FM :

1. Appuyez brièvement sur le bouton 1-2-3 pour rappeler rapidement les 3 premières stations préférées, « Rappel » s'affiche avec la liste numérotée des préréglages et le nom ou la fréquence de la station qui y est enregistrée, ou (Vide) si aucune station précédente n'a été enregistrée.
2. Appuyez et maintenez enfoncée la touche Preset pour accéder à l'option de préréglage et faites défiler jusqu'à l'emplacement de préréglage et la station que vous souhaitez écouter (1-20).
3. Appuyez sur le bouton Select pour confirmer. La radio se sintonise instantanément sur cette station et commence à diffuser.

Remarque : En cas d'absence de station FM sauvegardée sous le bouton de préréglage, « ! Preset Empty » (Préréglage vide) s'affiche, alors la radio revient à la station radio précédemment sélectionnée.

Informations sur l'affichage FM

En écoutant une station FM, vous pouvez modifier les informations qui s'affichent à l'écran.

- **Radio text (RT) (Texte radio (RT))** - Il s'agit d'informations textuelles fournies par le radiodiffuseur. On peut y trouver le nom d'un artiste ou un titre de musique, le nom du DJ, les coordonnées de la station de radio, etc.
- **Program Type (PTY) (Type de programme (PTY))** - Comme « Rock », « Pop », « Talk » ou « News ».

- **Station name or frequency (Nom de la station ou fréquence)** - Par exemple, BBC R4 ou « 93.30 MHz ».
- **Heure et date** - indiquées par le radiodiffuseur.
 1. Appuyez brièvement et à plusieurs reprises sur le bouton Menu/Infos pour faire défiler les différentes options d'information.

Réglage du réveil

Remarque : Vérifiez que l'heure et la date de la radio sont correctes avant de régler une alarme. Lorsque votre radio est allumée (pas en mode veille) :

1. Appuyez sur le bouton d'alarme.
2. Il y a deux alarmes, alarme 1 et alarme 2, appuyez sur les boutons « Prev » ou « Next » et confirmez avec le bouton « Select ».
3. Pour le réglage de l'heure, appuyez sur les boutons « Prev » ou « Next » pour régler l'heure, et confirmez avec le bouton « Select ».
4. L'alarme est réglable de 10 à 60 minutes, appuyez sur le bouton « Prev » ou « Next » pour régler, et confirmez avec le bouton « Select ».
5. Trois sources d'alarme : Buzzer, DAB et FM.
6. Quatre modes d'alarme : Daily, Once, Weekends, Weekdays (Quotidien, Une fois, Week-end ou Jours de la semaine).
7. Le volume de l'alarme varie de 2 à 16 niveaux.
8. Alarme ON et OFF, appuyez sur les boutons « Prev » ou « Next » pour régler, et activez ou désactivez l'alarme avec le bouton « Select ».

Arrêt de l'alarme

Lorsque l'alarme retentit, appuyez sur le bouton **Alarm**, Alarm off (Alarme désactivée) s'affiche. Vous pouvez également appuyer sur le bouton de répétition/Select (voir la fonction Snooze ci-dessous).

Remarque : Le symbole de l'alarme reste affiché et l'alarme se déclenche à nouveau à la même heure le jour suivant, sauf si elle a été réglée sur « Once » (Une seule fois).

Répétition

Lorsque l'alarme retentit, vous pouvez appuyer sur le bouton Snooze/Select pour répéter pendant 10 minutes. Un compte à rebours sera affiché jusqu'à ce que l'alarme retentisse à nouveau.

Minuterie de sommeil

Vous pouvez régler votre radio pour l'éteindre automatiquement à l'aide du minuteur. Vous pouvez choisir entre Sleep off (veille désactivée), 15, 30, 45, 60, 90 et 120 minutes.

Lorsque votre radio est allumée (pas en mode veille) :

1. Appuyez sur le bouton Menu/Info et maintenez-le enfoncé pour accéder aux options du menu.
2. Tournez le bouton Select ou appuyez sur les boutons Prev ou Next pour accéder aux « System Settings » (Paramètres du système). Appuyez brièvement sur le bouton Select.
3. Le mot « sommeil » apparaît à l'écran. Appuyez sur le bouton Select.
4. Tournez le bouton Select ou appuyez sur les boutons Prev ou Next pour faire défiler les options de minuterie de veille disponibles (Sleep off (veille désactivé), 15, 30, 45, 60 et 90 minutes). Attendez que la durée de veille souhaitée s'affiche et appuyez sur le bouton Select.
5. Le symbole S du temps de veille ainsi que les minutes que vous avez sélectionnées s'affichent à l'extrémité supérieure droite de l'écran de la radio et le décompte s'effectue jusqu'à ce que la radio s'éteigne.

Désactivation de la minuterie de veille

Votre radio étant allumée (pas en mode veille), suivez les étapes de réglage de la minuterie, comme ci-dessus, et sélectionnez « Sleep Timer Off » (Minuterie de veille désactivée) à l'étape 4.

Délai de rétroéclairage de l'écran.

Vous pouvez régler le délai de rétroéclairage de l'écran. Les options suivantes sont disponibles : désactivé en permanence, 10, 20, 30, 45, 60, 90, 120 et 180 secondes.

Lorsque votre radio est allumée (pas en mode veille) :

1. Appuyez sur le bouton Menu/Info et maintenez-le enfoncé pour accéder aux options du menu.
2. Appuyez brièvement sur le bouton Prev ou Next pour accéder aux « System Settings » (Paramètres du système). Appuyez sur le bouton Select.
3. Appuyez brièvement sur le bouton Prev ou Next pour passer à la fonction de rétroéclairage. Appuyez sur le bouton Select.
4. Le délai est sélectionné. Appuyez sur le bouton Select. Appuyez brièvement sur les boutons Prev ou Next pour faire défiler les options de délai de rétroéclairage que vous souhaitez. Les options suivantes sont disponibles : désactivé en permanence, 10, 20, 30, 45, 60, 90, 120 ou 180 secondes. Appuyez sur le bouton Select.

Tournez maintenant le bouton ou appuyez sur les boutons Prev ou Next pour parcourir et appuyez sur le bouton pour confirmer, comme vous l'avez fait pour régler le délai de rétroéclairage, pour modifier les paramètres de luminosité du rétroéclairage pour le niveau On et Dim. 3 options sont disponibles, High, Medium et Low (Haut, Moyen et Bas) et le réglage actuel s'affiche.

Langue d'affichage

Vous pouvez changer la langue d'affichage de votre radio, 13 options sont disponibles : Anglais, Allemand, Italien, Français, Danois, Néerlandais, Finnois, Norvégien, Polonais, Portugais, Espagnol, Suédois et Turc. Le paramètre actuel apparaît à l'écran. Lorsque votre radio est allumée (pas en mode veille) :

1. Appuyez sur le bouton Menu/Info et maintenez-le enfoncé pour accéder aux options du menu.
2. Appuyez sur les boutons Prev ou Next pour accéder aux « System Settings » (Paramètres du système). Appuyez sur le bouton.
3. Appuyez sur les boutons Prev ou Next pour accéder à l'option Language (Langue). Appuyez sur le bouton.
4. Appuyez sur les boutons Prev ou Next pour aller à la langue de votre choix. Appuyez sur le bouton pour confirmer.

Utilisation du Bluetooth

1. Appuyez sur le bouton Mode  pour sélectionner le mode Bluetooth.

Recherchez « Lenco PDR-016 » avec votre appareil bluetooth, et sélectionnez-le pour le connecter à votre radio.

2. Appuyez sur le bouton **Select** pour lire ou mettre en pause
3. Appuyez sur le bouton **Next** pour sélectionner la piste suivante
4. Appuyez sur le bouton **Prev** pour sélectionner la piste précédente
5. Appuyez longuement sur le bouton Couplage pour déconnecter le dispositif Bluetooth en cours de lecture.

PRISE CASQUE

1. La connexion des écouteurs désactive les haut-parleurs.
2. Les réglages du son modifient également le son diffusé par les écouteurs.

REMARQUE : Baissez le volume avant de connecter ou de mettre les écouteurs.

Lorsque la fiche de l'écouteur est branchée sur la prise, le signal du haut-parleur est coupé.

Spécifications techniques

Adaptateur de courant : Entrée max CA 100-240 V 50/60 Hz 0,3 A.

Sortie CC 5 V 1 A

Consommation : 5 W

Alimentation par piles : 4 x 1,5V AA / LR6

Sortie audio : 1 x 1W RMS

Gamme de fréquences :

DAB : Bande III, 174,9 MHz à 239,2 MHz

FM : 87,5 MHz à 108 MHz

Prise casque : Prise jack 3,5 mm

Dimensions (L x H x P): 9 x 17,8 x 5,5mm

Poids net total : 0,3 kg

Type d'antenne DAB et FM : Antenne télescopique (Gain 0dB)

Type d'antenne 2.4 BT : Antenne à onde rectangulaire sur PCB (gain 0 dB)

Puissance RF bluetooth : < 0 dBm

Conditions de fonctionnement Température : 5 à 35 °C; Humidité : 5% - 90%

Information sur l'adaptateur de courant :

Utilisez uniquement l'alimentation électrique indiquée dans le mode d'emploi.

Informations	Valeurs et précision
Nom ou marque du fabricant, enregistrement commercial et adresse	DONGGUAN OBELIEVE ELECTRONIC CO., LTD Huazhaoxin Industrial Park B-4/F, Golden Phoenix Industrial Zone, Fenggan Town, Dongguan, Province de Guangdong, R.P. de Chine. Licence commerciale : 91441900050747698U
Identifiant du modèle	OBL-0501000E, OBL-0501000B
Tension d'entrée	Max CA 100-240 V 0.3 A.
Fréquence d'entrée CA	50/60 Hz
Tension de sortie	5 V CC
Courant de sortie	1 A
Puissance de sortie	5 W
Efficacité active moyenne	74 16 %
Efficacité à faible charge (10 %)	-
Consommation électrique sans charge	0,045 W

GARANTIE

Lenco propose un service et une garantie conformément à la législation européenne, ce qui signifie qu'en cas de besoin de réparation (aussi bien pendant et après la période de garantie), vous pouvez contacter le revendeur le plus proche.

Remarque importante : Il n'est pas possible de renvoyer l'appareil pour réparation directement à Lenco.

Remarque importante : Si l'appareil est ouvert ou modifié de quelque manière que ce soit par un réparateur non agréé, la garantie sera annulée.

Cet appareil ne convient pas à une utilisation professionnelle. En cas d'utilisation professionnelle, les obligations de garantie du fabricant sont annulées.

CLAUSE DE NON-RESPONSABILITÉ

Des mises à jour du micrologiciel ou des composants matériels sont régulièrement effectuées. Ainsi, certaines instructions, spécifications et images de la présente documentation peuvent être légèrement différentes. Tous les éléments décrits dans ce manuel sont fournis uniquement à des fins d'illustration et peuvent ne pas s'appliquer à une situation particulière. Aucun droit juridique ou légal ne peut être obtenu à partir de la description faite dans ce manuel.

MISE AU REBUT DE L'APPAREIL USAGÉ



Ce symbole indique que le produit électrique concerné ainsi que les piles ne doivent pas être jetés avec les autres déchets ménagers en Europe. Pour assurer le traitement correct des déchets de l'appareil et des piles, il faut les éliminer conformément aux lois locales applicables sur l'élimination des équipements électriques et des piles. En faisant cela, vous contribuez à la conservation des ressources naturelles et à

l'amélioration des normes de protection de l'environnement dans le traitement et l'élimination des déchets électriques (Directive sur les déchets d'équipements électriques et électroniques).

MARQUAGE CE

Par la présente, Commaxx B.V. Wiebachstraat 37, 6466 NG Kerkrade, Pays-Bas, déclare que ce produit est conforme aux exigences principales des directives européennes.

La déclaration de conformité peut être consultée via le lien : techdoc@commaxxgroup.com



SERVICE APRÈS-VENTE

Pour plus d'informations et le service d'assistance, rendez-vous sur www.lenco.com

Commaxx B.V. Wiebachstraat 37, 6466 NG Kerkrade, Pays-Bas.

PRECAUCIÓN:

Un uso de los controles, unos ajustes o un rendimiento de los procedimientos distintos a los especificados aquí puede resultar en una exposición peligrosa a la radiación.

PRECAUCIONES PREVIAS AL USO

TENGA ESTAS INSTRUCCIONES EN CUENTA:

1. No cubra ni obstruya las aberturas de ventilación. Si coloca el dispositivo sobre una estantería, deje una separación de 5 cm (2") alrededor de todo el dispositivo.
2. Instálelo en conformidad con el manual del usuario incluido.
3. Mantenga el dispositivo apartado de fuentes de calor como radiadores, calentadores, estufas, velas y otros productos que generen calor o llamas abiertas. El dispositivo solo puede utilizarse en climas moderados. Deben evitarse los entornos muy fríos o cálidos. La temperatura de funcionamiento es de entre 0 °C y 35 °C.
4. Evite utilizar el dispositivo cerca de campos magnéticos intensos.
5. Las descargas electrostáticas pueden perturbar el uso normal de este dispositivo. En tal caso, solo tiene que seguir el manual de instrucciones para restablecer y reiniciar el dispositivo. Durante la transmisión de archivos, por favor manéjelo con cuidado y opérelo en un entorno libre de electricidad estática.
6. ¡Advertencia! Nunca introduzca objetos en las aberturas o conductos de ventilación del producto. Alto voltaje fluye a través del producto e insertar un objeto puede provocar una descarga eléctrica o un cortocircuito en sus componentes internos. Por el mismo motivo, no derrame agua ni líquidos sobre el producto.
7. No lo utilice en áreas mojadas o húmedas, como cuartos de baño, cocinas con mucho vapor o cerca de piscinas.
8. No se debe exponer el dispositivo a goteos ni salpicaduras y debe asegurarse de que no haya objetos llenos de líquidos, como jarrones, encima ni cerca del aparato.
9. No utilice este dispositivo si puede haber condensación. Cuando se utilice la unidad en una sala cálida y húmeda, pueden aparecer gotas de agua o condensación dentro de la unidad y esta puede no funcionar correctamente; deje la unidad apagada durante 1 o 2 horas antes de encender la alimentación: la unidad debe estar seca antes de encenderla.
10. Aunque este dispositivo está fabricado con el máximo cuidado y se ha comprobado varias veces antes de salir de fábrica, todavía es posible que se puedan producir problemas, igual que con todos los aparatos eléctricos. Si detecta humo, una acumulación excesiva de calor o cualquier otro fenómeno inesperado, deberá desconectar inmediatamente el enchufe de la toma de corriente.
11. Este dispositivo debe estar conectado a una fuente de alimentación conforme a lo indicado en la etiqueta de especificaciones. Si no está seguro del tipo de fuente de alimentación de su hogar, consulte con su distribuidor o su empresa eléctrica local.
12. Manténgalo alejado de los animales. Algunos animales muerden los cables eléctricos.

13. Utilice un trapo suave y húmedo para limpiar el dispositivo. No utilice disolventes ni líquidos con base de gasolina. Puede usar un paño húmedo con detergente diluido para eliminar las manchas persistentes.
14. El proveedor no asume ninguna responsabilidad por daños o datos perdidos como consecuencia de un funcionamiento incorrecto, uso incorrecto, modificación del dispositivo o sustitución de la batería.
15. No interrumpa la conexión mientras se formatea el dispositivo o esté transfiriendo archivos. De lo contrario, los datos podrían quedar dañados o perderse.
16. Si la unidad tiene una función de reproducción USB, se debe conectar directamente el dispositivo de memoria USB a la unidad. No utilice cables de extensión USB ya que pueden crear interferencias que causen una pérdida de datos.
17. La etiqueta de clasificación está marcada en el panel inferior o trasero del dispositivo.
18. Este aparato no está diseñado para su uso por personas (incluyendo niños) con discapacidades físicas, sensoriales o mentales o con falta de experiencia o conocimientos, salvo que estén bajo supervisión o hayan recibido formación sobre el uso correcto del dispositivo por parte de una persona responsable de su seguridad.
19. Este producto está destinado únicamente al uso no profesional y no al uso comercial ni industrial.
20. Compruebe que la unidad está ajustada en una posición estable. Los daños causados por las vibraciones o sacudidas derivadas del uso del producto en una posición inestable o el incumplimiento de otras advertencias o precauciones incluidas en este manual del usuario no estarán cubiertos por la garantía.
21. Nunca retire la carcasa del dispositivo.
22. Nunca coloque el dispositivo sobre otros equipos eléctricos.
23. No permita que los niños accedan a las bolsas de plástico.
24. Utilice solo los accesorios especificados por el fabricante.
25. Solicite todo el trabajo de mantenimiento a personal de servicio cualificado. El dispositivo deberá ser reparado cuando quede dañado de cualquier forma, por ejemplo, si el cable de alimentación o el enchufe están dañados, se ha derramado líquido o han caído objetos sobre él, ha quedado expuesto a la lluvia o a la humedad, no funciona con normalidad, o se ha caído al suelo.
26. La exposición prolongada a sonidos fuertes de reproductores personales de música puede provocar una pérdida temporal o permanente de audición.
27. Si el producto incluye un cable de alimentación o un adaptador de CA:
 - Si hubiera algún problema, desconecte el cable de CA y solicite su mantenimiento al personal cualificado.
 - No pise ni pellizque el adaptador de corriente. Tenga mucho cuidado, en especial cerca de los enchufes y el punto de salida del cable. No coloque objetos pesados sobre el adaptador de corriente, ya que podría dañarlo. ¡Mantenga todo el dispositivo fuera del alcance de los niños! Si juegan con el cable de alimentación, pueden sufrir lesiones graves.
 - Desenchufe el dispositivo durante tormentas eléctricas o si no se utiliza durante largos periodos.
 - La toma debe estar instalada cerca del equipo y ser fácilmente accesible.

- No sobrecargue las tomas de CA ni los cables de extensión. Una sobrecarga podría provocar un incendio o una descarga eléctrica.
 - Los dispositivos con una construcción de clase 1 deben estar conectados a una toma eléctrica con conexión a tierra protectora.
 - Los dispositivos con una construcción de clase 2 no requieren una conexión a tierra.
 - Sujete siempre el enchufe cuando lo extraiga de la toma de corriente. No estire del cable eléctrico. Podría provocar un cortocircuito.
 - No utilice cables de alimentación o enchufes deteriorados o tomas sueltas. Podría provocar un incendio o descarga eléctrica.
28. Si el producto contiene o se entrega con un mando a distancia que contiene pilas de botón:
- Advertencia:
- «No ingiera la pila, existe riesgo de quemaduras químicas» o equivalente.
 - [Mando a distancia incluido] Este producto contiene una pila de botón. En caso de ingesta de la pila, puede provocar quemaduras internas graves en menos de 2 horas que pueden provocar la muerte.
 - Mantenga las pilas nuevas y usadas fuera del alcance de los niños.
 - Si el compartimento de las pilas no cierra bien, deje de usar el producto y manténgalo fuera del alcance de los niños.
 - Si cree que puede haber ingerido una pila, solicite inmediatamente atención médica.
29. Precauciones sobre el uso de las pilas:
- Existe peligro de explosión si se sustituye la pila por una de tipo incorrecto. Sustitúyalas únicamente por pilas del mismo tipo o equivalentes.
 - No se puede someter las pilas a temperaturas muy altas o bajas, ni a presiones de aire bajas a altitudes altas durante el uso, almacenamiento o transporte.
 - La sustitución de una pila por una de tipo incorrecto puede resultar en una explosión o fuga del líquido o gas inflamable.
 - Arrojar una pila al fuego o a un horno caliente, o aplastarla o cortarla con medios mecánicos, puede resultar en una explosión.
 - Dejar una pila en un entorno con temperaturas muy altas puede resultar en una explosión o fuga del líquido o gas inflamable.
 - Someter una pila a presiones de aire muy bajas puede resultar en una explosión o la fuga del líquido o gas inflamable.
 - Se debe prestar atención a los aspectos medioambientales sobre la eliminación de baterías.

INSTALACIÓN

- Desempaquete todas las piezas y retire el material protector.
- No conecte la unidad a la corriente sin comprobar la tensión eléctrica y que se han hecho todas las demás conexiones.

Advertencia



Advertencia: Utilizar un reproductor de música mientras conduce puede hacer que sea menos consciente de los potenciales peligros, como los coches que se acercan.



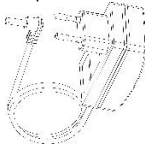
Advertencia: Para evitar posibles daños auditivos, no utilice el volumen alto durante mucho tiempo.

ACCESORIOS

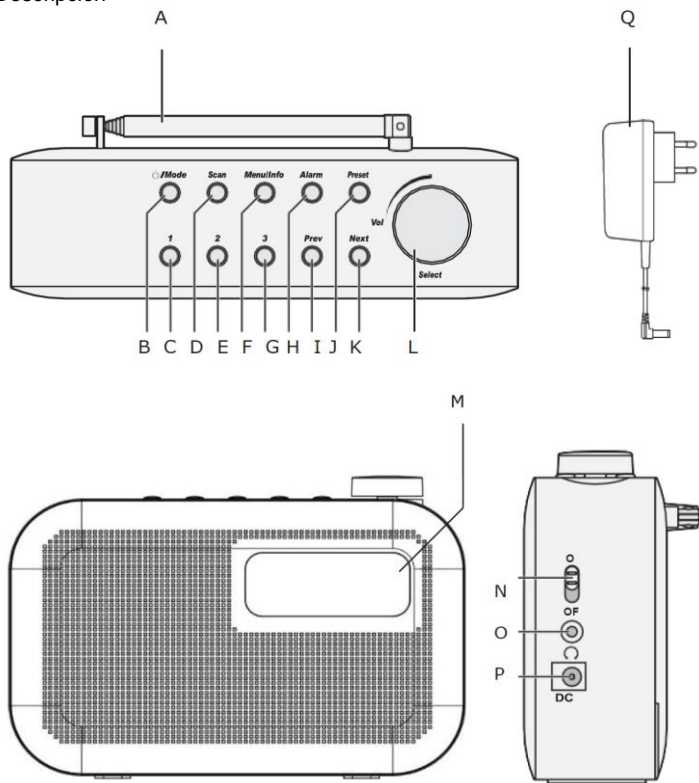
- Manual de instrucciones



Adaptador de corriente



Descripción



CONTROLES Y COMPONENTES

- A. Antena telescópica
- B. Botón de suspensión/modo
- C. Presintonía 1
- D. Botón de búsqueda
- E. Presintonía 2
- F. Botón de menú/información
- G. Presintonía 3
- H. Botón de alarma
- I. Botón de retroceso
- J. Botón de presintonía
- K. Botón de avance
- L. Botón de volumen/selección
- M. Pantalla
- N. Interruptor de encendido/apagado
- O. Conector para auriculares
- P. Enchufe de entrada de CC de 5 V
- Q. Adaptador de CC de 5 V y 1 A

Colocación de su radio DAB/FM

Piense de antemano dónde situará la radio y asegúrese de que el lugar cumple las siguientes condiciones:

- Es una superficie plana y estable.
- Se encuentra a menos de 1,4 metros de una toma de corriente (si utiliza la red eléctrica). Asegúrese de que el cable de alimentación no suponga un peligro de tropiezo.
- Está al menos a 1 metro de distancia de otros aparatos eléctricos para evitar interferencias.
- Que puede extender por completo la antena telescópica.
- Nunca coloque la radio directamente sobre una superficie antigua o pulida.

Conexión eléctrica

1. Conecte el cable de alimentación en el enchufe del lateral de la radio y extienda por completo la antena telescópica en posición vertical para obtener la máxima intensidad de señal.
2. Conecte el adaptador de corriente a la toma de corriente de la pared y enciéndalo.
3. Deslice el interruptor de encendido/apagado de la parte posterior de la radio hasta ON. La pantalla del producto se encenderá, mostrará «Welcome to Digital Radio» (bienvenido a la radio digital) y luego pasará al modo de suspensión.

Nota: Cuando use la radio con pilas, deslice el interruptor de encendido/apagado del lateral de la radio hasta ON. Mantenga pulsado el botón de encendido, la pantalla del producto se encenderá y mostrará «Welcome to Digital Radio» (bienvenido a la radio digital). La radio buscará emisoras DAB+ inmediatamente.

Colocar las pilas

1. Antes de colocar las pilas (no incluidas) asegúrese de que la radio está apagada (deslice el interruptor de encendido hasta OFF) y desenchufada de la red eléctrica.
2. Empuje la lengüeta de la parte posterior de la radio para liberar y retirar la tapa del compartimento de las pilas.
3. Inserte 4 pilas AA de 1,5 V (también conocidas como LR6), teniendo en cuenta las marcas de «+» y «-» para colocarlas de la forma correcta.
4. Vuelva a colocar la tapa, asegurándose de que escucha un «clic».

Uso de la radio DAB/FM

Encendido

1. Mantenga pulsado el botón de encendido de la parte superior de la radio. Esta se encenderá y comenzará a buscar emisoras DAB automáticamente. Una barra indicará el progreso de la búsqueda y también se mostrará el número de emisoras encontradas.

2. Cuando se complete la búsqueda, la radio seleccionará y empezará a reproducir la primera emisora disponible. Las emisoras aparecen por defecto en orden numérico y luego alfabético.

Nota: La lista de emisoras de radio DAB se guardan en la memoria, de modo que la próxima vez que la encienda no necesitará realizar otra búsqueda. Es posible buscar emisoras de forma manual accediendo a la opción de búsqueda manual del menú.

Ajustar el volumen

- Gire en el sentido de las agujas del reloj para aumentar el volumen (vol. 0-16).
- Gire en el sentido contrario a las agujas del reloj para disminuir el volumen (vol. 0-16).
- Compruebe la pantalla, que confirmará el ajuste del volumen.
- El nivel de volumen predeterminado es 4.

Cambio de modo

Pulse y suelte el botón de encendido/Enter para cambiar entre los modos DAB, FM y Bluetooth. Compruebe la pantalla, que confirmará el modo.

Hora y fecha

La primera vez que escuche la radio DAB, la hora y la fecha de su producto se sincronizarán automáticamente con la emitida por el servicio DAB en el modo de 24 horas; que está en consonancia con el ahorro de luz diurna, por lo que no es necesario ajustar la hora y la fecha manualmente (la hora por defecto es 1-1-2019 00:00).

Si desea ajustar la hora y la fecha manualmente, encienda la radio y siga los siguientes pasos:

1. Mantenga pulsado el botón Menu/Info para acceder a las opciones del menú.

2. Pulse y suelte los botones Prev o Next para desplazarse hasta «System Settings» (configuración del sistema). Pulse la perilla Select para confirmar.
3. Pulse y suelte los botones Prev o Next para desplazarse hasta «Time/Date» (hora/fecha). Pulse y suelte la perilla Select para confirmar. Se mostrará «Set Time/Date» (establecer hora/fecha). Pulse y suelte la perilla Select.
4. Los dígitos de la hora parpadearán. Pulse y suelte los botones Prev o Next para desplazarse hasta la hora correcta. Pulse la perilla Select para continuar.
5. Los dígitos de los minutos parpadearán. Pulse y suelte los botones Prev o Next para desplazarse hasta los minutos correctos. Pulse la perilla Select para continuar.
6. Los dígitos del día parpadearán. Pulse y suelte los botones Prev o Next para desplazarse hasta el día correcto. Pulse la perilla Select para continuar.
7. Los dígitos del mes parpadearán. Pulse y suelte los botones Prev o Next para desplazarse hasta el mes correcto. Pulse la perilla Select para continuar.
8. Los dígitos del año parpadearán. Pulse y suelte los botones Prev o Next para desplazarse hasta el año correcto. Pulse la perilla Select para terminar de configurar la hora y la fecha. Se mostrará «Time Saved» (hora guardada) y la pantalla volverá a las opciones de «Time/Date» (hora/fecha). Luego podrá utilizar los botones Prev y Next, junto con el botón Select, como lo hizo para establecer la hora y la fecha para cambiar los siguientes ajustes:
 - Actualización automática para actualizar la hora desde cualquier señal DAB y FM, desde Radio Digital, desde FM o sin actualización.
 - Mostrar la hora en el modo de 12/24 horas.
 - Establecer el formato de fecha, DD-MM-AAAA MM-DD-AAAA

Usar auriculares

Puede conectar los auriculares con una clavija de 3,5 mm (no incluida) a la radio. Puede encontrar la salida de auriculares estéreo en el lateral de la radio. Cuando conecte los auriculares, se desactivará el altavoz de la radio y todo el sonido se reproducirá por los auriculares.

Nota: Mantenga siempre el volumen en niveles razonables.

Modo de radio DAB

Compruebe que la radio está en el modo DAB. Si aún no está en el modo DAB, pulse y suelte el botón de encendido/Mode hasta que se active el modo DAB (compruebe la pantalla).

La primera vez que use la radio, o si la lista de emisoras está vacía, la radio empezará a buscar emisoras de radio DAB automáticamente. Una barra indicará el progreso de la búsqueda y también se mostrará el número de emisoras encontradas.

Si estaba escuchando una emisora DAB al apagar la radio, se seleccionará esta emisora de forma automática cuando la vuelva a encender.

Cambiar entre emisoras DAB

1. Pulse y suelte los botones Next y Prev para desplazarse entre las emisoras disponibles.
2. Cuando se muestre la emisora que desea escuchar, pulse y suelte la perilla Select para confirmar. Se producirá un breve retraso mientras la radio sintoniza la emisora seleccionada.

Buscar emisoras DAB

Con la radio DAB, periódicamente aparecen emisoras y servicios adicionales, por lo que es una buena idea realizar una búsqueda manual de vez en cuando para asegurarse de que tiene la lista de emisoras más actualizada almacenada en la memoria de su radio. Si ha trasladado su radio a otro lugar, por ejemplo, si se va de vacaciones, también es conveniente realizar una búsqueda manual.

En modo DAB:

1. Pulse y suelte los botones Prev o Next para empezar a buscar emisoras. La pantalla mostrará «Scanning...» (buscando...). Una barra indicará el progreso de la búsqueda y también se mostrará el número de emisoras encontradas.

Eliminar emisoras DAB

Puede eliminar las emisoras DAB de la lista de emisoras si no se reciben en su área. Estas se muestran con un «?» antes del nombre.

En modo DAB: Mantenga pulsado el botón Menu/Info para acceder a las opciones del menú.

1. Gire la perilla Select o pulse y suelte el botón Next para desplazarse hasta «Prune Invalid» (eliminar inválidas). Pulse la perilla Select para confirmar.
2. Se mostrará «Proceed to prune the invalid stations Yes No» (proceder a eliminar las emisoras inválidas Si No). Pulse y suelte el botón Prev para desplazarse hasta «Yes» (sí). Pulse y suelte el botón Select para confirmar y eliminar la lista de emisoras. Ya no aparecerán las emisoras con un «?».

Presintonizar una emisora DAB

La radio puede almacenar hasta 20 emisoras de radio DAB en las memorias de presintonía para acceder de forma instantánea a sus emisoras favoritas. Y puede presintonizar o recuperar rápidamente sus 3 emisoras favoritas.

1. Sintonice la emisora de radio DAB que desea guardar.
2. Mantenga pulsado el botón 1, 2 o 3 durante unos 2 segundos hasta que se muestren «Save to Preset» (presintonizar) y la lista de presintonías numeradas.

3. Mantenga pulsado el botón Preset para acceder a las opciones de presintonía y desplácese hasta el espacio de presintonía en el que desea guardar la emisora de radio (1-20).
4. Pulse la perilla Select para confirmar. Se mostrará «Preset X saved» (presintonía X guardada), donde «X» es el número de presintonía (6-20).

Nota: Si ya hay una emisora DAB almacenada en un espacio, se sobrescribirá al guardar una nueva emisora.

Sintonizar una emisora DAB almacenada (Recall)

En modo DAB:

1. Pulse los botones 1, 2 o 3 para recuperar rápidamente las 3 emisoras favoritas; se mostrará «Recall» (recuperar) en la pantalla junto con la lista de presintonías numerada y el nombre o la frecuencia de la emisora almacenada, o «Empty» (vacío) si no hay ninguna emisora guardada.
2. Mantenga pulsado el botón Preset para acceder a las opciones de presintonía y desplácese hasta la ubicación de la presintonía y la emisora que desea escuchar (6-20).
3. Pulse la perilla Select para confirmar. La radio sintonizará esa emisora instantáneamente y empezará a reproducirla. Nota: Si no se ha almacenado ninguna emisora DAB en el botón de presintonía, se mostrará «! Preset Empty» (! presintonía vacía) y la radio regresará a la emisora de radio elegida anteriormente.

Información de la pantalla DAB

Cuando escuche una emisora DAB, puede cambiar la información que aparece en la pantalla. Hay diferentes tipos de información enviadas por la emisora.

- **Segmento dinámico de etiquetas (DLS):** esta es la información de texto proporcionada por la emisora.

Puede ser el nombre de un artista o el título de una canción, el nombre del DJ, los detalles de contacto de la emisora de radio, etc.

- **Tipo de programa (PTY):** como «Rock», «Pop», «Talk» (varios) o «News» (noticias).
- **Nombre multiplex:** muestra la zona de emisión y la colección de emisoras de radio en esta frecuencia, por ejemplo: BBC National DAB, Digital 1 Network.
- **Canal y frecuencia:** por ejemplo: 12B 225,648 MHz.
- **Error de señal e intensidad:** el error de señal se muestra con un número del 0 al 99. No sería posible escuchar una radio de forma satisfactoria con un error de señal de 30 o más. La intensidad de la señal se muestra como una fila de rectángulos sólidos. Dos líneas negras dentro de los rectángulos sólidos indican la intensidad mínima para una reproducción aceptable. Cuanto mayor sea la intensidad, más a la derecha estará la fila de rectángulos sólidos. Pruebe a ajustar la antena o a mover la radio de sitio para mejorar la recepción.

- **Información de la señal:** la velocidad de datos a la que se transmite la señal.
- **Fecha y hora:** proporcionada por la emisora.
 1. Pulse y suelte repetidamente el botón Menu/Info para pasar por las diferentes opciones de información.

INFORMACIÓN IMPORTANTE ACERCA DE LA RECEPCIÓN DE DAB+

La recepción de radio DAB+ es diferente de la FM.

- En FM, a veces se puede recibir una señal débil, pero, probablemente, con crujidos o chasquidos.

- La recepción de DAB+ funciona de forma digital, así que, si no hay suficiente señal, no se escucha nada. No hay silbidos ni crujidos como con FM. Esto no es problema de la radio, sino de que no hay suficiente señal de DAB+ en ese lugar.
- La regla de DAB+ es: si no hay recepción o es muy débil, no hay sonido.

¿Qué puede hacer si no tiene una recepción de DAB+ directa?

- Siempre apunte la antena hacia arriba.
- No coloque la radio cerca de fuentes potenciales de interferencias, como cargadores de baterías, máquinas rotativas, ordenadores, grandes superficies de metal, etc.
- Aleje la radio unos metros.
- Enciéndala y active la búsqueda completa en el menú de DAB+
- En la pantalla de la radio, verá el progreso de la búsqueda y el número de emisoras encontradas en la posición actual de la radio.

Importante

- Con la recepción de DAB+, puede haber una gran diferencia en el nivel de recepción en unos pocos metros. Si tiene una señal de DAB+ débil, mueva la radio para encontrar una señal más fuerte.
- Si se lleva la radio a otro sitio, vuelva a realizar una búsqueda completa. Esto le mostrará qué emisoras de DAB+ se pueden recibir allí.

Rango de control dinámico (DRC)

En modo DAB:

El rango dinámico de cada programa de radio lo establece cada emisora y puede ser diferente para los tipos de programas emitidos, como la música pop o clásica o un programa de entrevistas. La señal de control de rango dinámico se transmite en paralelo con la señal de

audio de cada programa y puede utilizar esta señal de control con su radio para ampliar o comprimir el rango dinámico (la diferencia entre los sonidos más altos y los más bajos) de la señal de audio reproducida. Cambiar el rango dinámico puede afectar a la sonoridad o a la calidad del sonido del programa que escucha para que se adapte mejor a sus condiciones y necesidades personales.

Por ejemplo, en un entorno ruidoso, en el que los sonidos bajos pueden quedar eclipsados, si se ajusta la compresión al máximo se «potenciarán» los sonidos bajos, mientras se mantienen los sonidos más altos en su nivel original.

Hay 3 niveles de compresión:

- **DRC off (DRC desactivado):** sin compresión. Esta es la configuración predeterminada.
 - **DRC low (DRC bajo):** compresión media.
 - **DRC high (DRC alto):** máxima compresión.
1. Mantenga pulsado el botón Menu/Info para acceder a las opciones del menú.
 2. Pulse y suelte el botón Next para desplazarse hasta DRC. Pulse la perilla Select para confirmar. Se resaltará la configuración actual del DRC.
 3. Pulse y suelte el botón Next para desplazarse entre las opciones disponibles, y pulse la perilla Select para confirmar.

Modo de radio FM

Si aún no está en el modo FM, pulse y suelte el botón de encendido/Mode hasta que se active el modo FM (compruebe la pantalla).

Si estaba escuchando una emisora FM al apagar la radio, se seleccionará esta emisora de forma automática cuando la vuelva a encender.

Sintonizar una emisora FM

1. Búsqueda manual

- Mantenga pulsado el botón Next para buscar hacia arriba en la banda de frecuencias.
- Mantenga pulsado el botón Prev para buscar hacia abajo en la banda de frecuencias.
- Pulse y suelte el botón Next o Prev para afinar cada frecuencia en pasos de 0,05 MHz.

Cambiar la configuración de búsqueda

En modo FM:

1. Mantenga pulsado el botón Menu/Info para acceder a las opciones del menú.
2. Pulse y suelte el botón Next hasta que se muestre «Scan setting» (configuración de búsqueda). Pulse la perilla Select. Se resaltará la configuración actual de búsqueda.

Puede elegir entre dos opciones:

- **Solo emisoras con señal fuerte:** la búsqueda solo se detendrá cuando se reciba una señal fuerte, lo que debería producir una mejor calidad de audio. Es posible que se omita la emisora que está buscando al usar esta opción.
 - **Todas las emisoras:** la búsqueda se detendrá para cada emisora que se recibe, aunque la señal sea débil.
1. Pulse y suelte el botón Next para elegir entre las dos opciones disponibles, y pulse la perilla Select para confirmar.

Presintonizar una emisora FM

La radio puede almacenar hasta 20 emisoras de radio FM en las memorias de presintonía para acceder de forma instantánea a sus emisoras favoritas. Y puede presintonizar o recuperar rápidamente sus 3 emisoras favoritas.

1. Sintonice la emisora de radio FM que desea guardar.
2. Mantenga pulsado el botón 1, 2 o 3 durante unos 2 segundos hasta que se muestren «Save to Preset» (presintonizar) y la lista de presintonías numeradas.

3. Mantenga pulsado el botón Preset para acceder a las opciones del menú y desplácese hasta el espacio de presintonía en el que desea guardar la emisora de radio (1-20).
4. Pulse la perilla Select para confirmar. Se mostrará «Preset X saved» (presintonía X guardada), donde «X» es el número de presintonía (1-20)

Nota: Si ya hay una emisora FM almacenada en un espacio, se sobrescribirá al guardar una nueva emisora.

Sintonizar una emisora FM almacenada

En modo FM:

1. Pulse los botones 1, 2 o 3 para recuperar rápidamente las 3 emisoras favoritas; se mostrará «Recall» (recuperar) en la pantalla junto con la lista de presintonías numerada y el nombre o la frecuencia de la emisora almacenada, o «Empty» (vacío) si no hay ninguna emisora guardada.
2. Mantenga pulsado el botón Preset para acceder a las opciones de presintonía y desplácese hasta la ubicación de la presintonía y la emisora que desea escuchar (1-20).
3. Pulse la perilla Select para confirmar. La radio sintonizará esa emisora instantáneamente y empezará a reproducirla.

Nota: Si no se ha almacenado ninguna emisora FM en el botón de presintonía, se mostrará «! Preset Empty» (! presintonía vacía) y la radio regresará a la emisora de radio elegida anteriormente.

Información de la pantalla FM

Cuando escuche una emisora FM, puede cambiar la información que aparece en la pantalla.

- **Texto de radio (RT):** esta es la información de texto proporcionada por la emisora. Puede ser el nombre de

un artista o el título de una canción, el nombre del DJ, los detalles de contacto de la emisora de radio, etc.

- **Tipo de programa (PTY):** como «Rock», «Pop», «Talk» (varios) o «News» (noticias).
- **Nombre de la emisora o frecuencia:** como BBC R4 o 93,30 MHz.
- **Fecha y hora:** proporcionada por la emisora.
 1. Pulse y suelte repetidamente el botón Menu/Info para pasar por las diferentes opciones de información.

Ajustar la alarma

Nota: Compruebe que la radio tiene la hora y la fecha correctas cuando vaya a establecer una alarma. Con la radio encendida (no en modo de espera):

1. Pulse el botón Alarm.
2. Hay dos alarmas, alarma 1 y alarma 2; pulse los botones Prev o Next y confirme con el botón Select.
3. Para la hora de encendido, pulse los botones Prev o Next para ajustar la hora, y confirme con el botón Select.
4. La alarma durará entre 10 y 60 minutos; pulse los botones Prev o Next para seleccionarlo y confirme con el botón Select.
5. Hay tres fuentes de alarma: Buzzer (Zumbador), DAB y FM.
6. Hay cuatro modos de alarma: Daily (diaria), Once (una vez), Weekends (los fines de semana), Weekdays (los días laborables).
7. El volumen de la alarma cambia entre 2 y 16 niveles.
8. Encender o apagar la alarma: pulse los botones Prev o Next para seleccionarlo y active o desactive la alarma con el botón Select.

Detener la alarma

Cuando suene la alarma, pulse el botón **Alarm**; se mostrará «Alarm off» (alarma apagada). Como alternativa, puede pulsar la perilla Snooze/Select (véase la función de repetición más abajo).

Nota: El símbolo de la alarma permanecerá en la pantalla y la alarma volverá a sonar a la misma hora el día siguiente, a menos que se haya establecido como «Once» (una vez) solo.

Repetición

Cuando suene la alarma, puede pulsar la perilla Snooze/Select para que vuelva a sonar en 10 minutos. Se mostrará una cuenta atrás hasta que vuelva a sonar.

Temporizador de suspensión

Puede configurar la radio para que se apague automáticamente usando el temporizador de suspensión. Puede elegir entre «Sleep off» (apagado automático), 15, 30, 45, 60, 90 y 120 minutos.

Con la radio encendida (no en modo de espera):

1. Mantenga pulsado el botón Menu/Info para acceder a las opciones del menú.
2. Gire la perilla Select o pulse y suelte los botones Prev o Next para desplazarse hasta «System Settings» (configuración del sistema). Pulse y suelte la perilla Select.
3. «Sleep» (suspensión) estará resaltado. Pulse la perilla Select.
4. Gire la perilla Select o pulse y suelte los botones Prev o Next para desplazarse entre las opciones del temporizador de suspensión disponibles («Sleep off» (apagado automático), 15, 30, 45, 60 y 90 minutos). Pare cuando se muestre el tiempo de suspensión que desea y pulse la perilla Select.
5. Se mostrarán el símbolo S del temporizador de suspensión y los minutos que ha seleccionado en la parte superior derecha de la pantalla y comenzará la cuenta atrás hasta que la radio se apague.

Cancelar el temporizador de suspensión

Con la radio encendida (no en modo de espera), siga los pasos anteriores para establecer el temporizador de suspensión y seleccione «Sleep Timer Off» (temporizador de suspensión desactivado) en el paso 4.

Tiempo de espera de la retroiluminación de la pantalla

Puede ajustar el tiempo de espera de la retroiluminación de la pantalla. Tiene disponibles la opción «Permanently Off» (apagada permanentemente) o a los 10, 20, 30, 45, 60, 90, 120 y 180 segundos.

Con la radio encendida (no en modo de espera):

1. Mantenga pulsado el botón Menu/Info para acceder a las opciones del menú.
2. Pulse y suelte los botones Prev o Next para desplazarse hasta «System Settings» (configuración del sistema). Pulse la perilla Select.
3. Pulse y suelte los botones Prev o Next para desplazarse hasta «Backlight» (retroiluminación). Pulse la perilla Select.
4. «Timeout» (tiempo de espera) estará resaltado. Pulse la perilla Select. Pulse y suelte los botones Prev o Next para desplazarse hasta la opción de tiempo de espera que desea. Tiene disponibles la opción «Permanently Off» (apagada permanentemente) o a los 10, 20, 30, 45, 60, 90, 120, y 180 segundos. Pulse la perilla Select.

Ahora puede girar la perilla o pulsar los botones Prev o Next para desplazarse y pulsar la perilla para confirmar, como lo hizo para establecer el tiempo de espera de la retroiluminación, para cambiar los ajustes del brillo de la retroiluminación para el nivel On (encendido) y el nivel Dim (tenue). Hay 3 opciones disponibles: High (alto),


Medium (medio) y Low (bajo), y se resaltará la configuración actual.

Idioma de la pantalla

Puede cambiar el idioma de la pantalla de la radio; hay 13 opciones disponibles; English, Deutsch, Italiano, Français, Dansk, Nederlands, Suomi, Norsk, Polski, Portuguese, Español, Svenska y Türkçe. Se resaltará la configuración actual. Con la radio encendida (no en modo de espera):

1. Mantenga pulsado el botón Menu/Info para acceder a las opciones del menú.
2. Pulse los botones Prev o Next para desplazarse hasta «System Settings» (configuración del sistema). Pulse la perilla.
3. Pulse los botones Prev o Next para desplazarse hasta «Language» (idioma). Pulse la perilla.
4. Pulse los botones Prev o Next para desplazarse hasta el idioma que desea. Pulse la perilla para confirmar.

Funcionamiento del Bluetooth

1. Pulse el botón Mode  para seleccionar el modo Bluetooth. Busque «Lenco PDR-016» en su dispositivo Bluetooth y selecciónelo para conectarse a la radio.
2. Pulse el botón **Select** para reproducir o pausar.
3. Pulse el botón **Next** para seleccionar la siguiente pista
4. Pulse el botón **Previous** para seleccionar la pista anterior
5. Mantenga pulsado el botón Pair para desconectar el dispositivo Bluetooth que se está usando.

SALIDA DE AURICULARES

1. Al conectar los auriculares, se desactivan los altavoces.
2. Los ajustes de sonido también afectan a los auriculares.

NOTA: Baje el volumen antes de conectar o ponerse los auriculares. Cuando la clavija de los auriculares se conecta a la toma, la señal del altavoz se corta.

Especificaciones técnicas

Adaptador de corriente: Entrada de CA de 100-240 V, 50/60 Hz y 0,3 A máx.

Salida de CC de 5 V y 1 A

Consumo eléctrico: 5 W

Alimentación por pilas: 4 pilas AA de 1,5 V / LR6

Salida de audio: 1 altavoz de 1 W RMS

Rango de frecuencia:

DAB: Banda III, de 174,9 MHz a 239,2 MHz

FM: 87,5 MHz a 108 MHz

Conector para auriculares: Toma de 3,5 mm

Dimensiones (Al x An x P): 9 x 17,8 x 5,5 mm

Peso neto total: 0,3 kg

Tipo de antena DAB y FM: Antena telescópica (ganancia de 0 dB)

Tipo de antena 2.4 BT: Antena con forma de onda rectangular en PCB (ganancia: 0 dB)

Potencia de RF de Bluetooth: < 0 dBm

Condiciones de funcionamiento: Temperatura: 5 °C - 35 °C; humedad: 5 % - 90 %

Información del adaptador de corriente:

Use únicamente la alimentación descrita en las instrucciones de usuario

«Information (Información)»	Valor y precisión
-----------------------------	-------------------

Nombre de los fabricantes o marcas registradas, registro comercial y dirección	DONGGUAN OBELIEVE ELECTRONIC CO., LTD Huazhaoxin Industrial Park B-4/F, Golden Phoenix Industrial Zone, Fenggan Town, Dongguan, Guangdong Province, P. R. China. Licencia comercial: 91441900050747698U
Identificador de modelo	OBL-0501000E, OBL-0501000B
Tensión de entrada	CA 100-240 V y 0,3 A máx.
Frecuencia CA de entrada	50/60 Hz
Tensión de salida	5 V de CC
Corriente de salida	1,0 A
Potencia de salida	5,0 W
Eficiencia activa media	74,16 %
Eficiencia con carga baja (10 %)	-
Consumo energético sin carga	0,045 W

GARANTÍA

Lenco ofrece servicio y garantía en conformidad con las leyes europeas, por lo que en caso de requerir una reparación (tanto durante como después del periodo de garantía) debe ponerse en contacto con su distribuidor local.

Nota importante: No es posible enviar directamente a Lenco los productos que necesiten reparación.

Nota importante: Si se abre la unidad o se accede a su interior en modo alguno en un centro de mantenimiento no oficial, la garantía quedará anulada.

El dispositivo no es adecuado para un uso profesional. En caso de realizar un uso profesional, todas las obligaciones de garantía del fabricante quedarán anuladas.

EXENCIÓN DE RESPONSABILIDAD

Se realizan actualizaciones del firmware y/o componentes de hardware de manera periódica. Por tanto, algunas instrucciones, especificaciones e imágenes de estos documentos podrían diferir ligeramente de su modelo concreto. Todos los elementos descritos en esta guía son únicamente para fines ilustrativos y pueden no corresponderse a su modelo concreto. Las descripciones de este manual no otorgarán ningún derecho legal.

ELIMINACIÓN DEL ANTIGUO DISPOSITIVO



Este símbolo indica que el producto eléctrico o batería pertinente no debe eliminarse con los residuos domésticos generales en Europa. Para garantizar un tratamiento correcto de los residuos del producto y las pilas, elimínelos en conformidad con las leyes locales vigentes para la eliminación de equipos eléctricos y pilas. Al hacerlo, ayudará a preservar los recursos naturales y mejorar los niveles de protección del medio

ambiente en el tratamiento y eliminación de residuos eléctricos (Directiva sobre residuos de aparatos eléctricos y electrónicos).

MARCA CE

Por la presente, Commaxx B.V. Wiebachstraat 37, 6466 NG Kerkrade, Países Bajos, declara que este producto cumple los requisitos fundamentales de las directivas de la UE.

Puede consultar la declaración de conformidad a través de techdoc@commaxxgroup.com



SERVICIO TÉCNICO

Para más información y atención al cliente, visite

www.lenco.com

Commaxx B.V. Wiebachstraat 37, 6466 NG Kerkrade, Países Bajos