

Lenco



Model: PA-30

User Manual Portable speaker with bluetooth, FM Radio and USB

Gebruikshandleiding Draagbare luidspreker met Bluetooth, FM-radio en USB

Bedienungsanleitung Tragbarer Lautsprecher mit Bluetooth, UKW-Radio und USB

Mode d'emploi Enceinte portative avec Bluetooth, radio FM et USB

Manual del usuario Altavoz portátil con Bluetooth, radio FM y USB

Index

English	1
Nederlands.....	12
Deutsch	24
Français.....	37
Español	49

Dear customer,

Thank you for buying this Lenco product. Quality and usability is our top priority. In order to let you fully enjoy this product, we have manufactured this product using high quality standards, materials, components and care.

Safety Instructions

Read carefully before use



CAUTION - RISK OF ELECTRICAL SHOCK - DO NOT OPEN



CAUTION: TO PREVENT AN ELECTRICAL SHOCK, DO NOT REMOVE ANY COVER SCREWS. THERE ARE NO USER SERVICEABLE PARTS INSIDE. REQUEST A QUALIFIED SERVICE PERSON TO PERFORM SERVICING.

CAUTION:

Usage of controls or adjustments or performance of procedures other than those specified herein may result in hazardous radiation exposure.

This unit should not be adjusted or repaired by anyone except qualified service personnel.

PRECAUTIONS BEFORE USE**KEEP THESE INSTRUCTIONS IN MIND:**

1. Do not use this device near water.
2. Clean only with a slightly damp cloth.
3. Do not cover or block any ventilation openings. When placing the device on a shelf, leave 5 cm (2") free space around the whole device.
4. Install in accordance with the supplied user manual.
5. Don't step on or pinch the power adaptor. Be very careful, particularly near the plugs and the cable's exit point. Do not place heavy items on the power adaptor, which may damage it. Keep the entire device out of children's reach! When playing with the power cable, they can seriously injure themselves.
6. Unplug this device during lightning storms or when unused for a long period.
7. Keep the device away from heat sources such as radiators, heaters, stoves, candles and other heat-generating products.
8. Avoid using the device near strong magnetic fields.
9. Electrostatic discharge can disturb normal usage of this device. If so, simply reset and restart the device following the instruction manual. During file transmission, please handle with care and operate in a static-free environment.

10. Warning! Never insert an object into the product through the vents or openings. High voltage flows through the product and inserting an object can cause electric shock and/or short circuit internal parts. For the same reason, do not spill water or liquid on the product.
11. Do not use in wet or moist areas such as bathrooms, steamy kitchens or near swimming pools.
12. Do not use this device when condensation may occur.
13. Although this device is manufactured with the utmost care and checked several times before leaving the factory, it is still possible that problems may occur, as with all electrical appliances. If you notice smoke, an excessive build-up of heat or any other unexpected phenomena, you should disconnect the plug from the main power socket immediately.
14. This device must be well ventilated at all time!
15. This device must operate on a power source as specified on the specification label. If you are not sure of the type of power supply used in your home, consult your dealer or local power company.
16. The socket outlet must be installed near the equipment and must be easily accessible.
17. Do not overload ac outlets or extension cords. Overloading can cause fire or electric shock.
18. Devices with class 1 construction should be connected to a main socket outlet with a protective earthed connection.
19. Devices with class 2 construction do not require a earthed connection.
20. Keep away from rodents. Rodents enjoy biting on power cords.
21. Always hold the plug when pulling it out of the main supply socket. Do not pull the power cord. This can cause a short circuit.
22. Avoid placing the device on any surfaces that may be subject to vibrations or shocks.
23. To protect the device during a thunderstorm, unplug the ac power adaptor.
24. When the device is not in use for long periods, unplug the ac power adaptor for safety reasons.
25. To clean the device, use a soft dry cloth. Do not use solvents or petrol based fluids. To remove severe stains, you may use a damp cloth with dilute detergent.
26. The supplier is not responsible for damage or lost data caused by malfunction, misuse, modification of the device or battery replacement.
27. Do not interrupt the connection when the device is formatting or transferring files. Otherwise, data may be corrupted or lost.
28. The usb memory stick should be plugged into the unit directly. Don't use an usb extension cable because it can cause interference resulting in failing of data.
29. The apparatus shall not be exposed to dripping or splashing and make sure that no objects filled with liquids, such as vases, are placed on or near the apparatus.
30. To completely disconnect the power input, the mains plug of the apparatus shall be disconnected from the mains, as the disconnect device is the mains plug of apparatus.

31. The mains plug of the apparatus should not be obstructed or should be easily accessed during intended use.
32. Battery shall not be exposed to excessive heat such as sunshine, fire or the like.
33. Minimum distance of 10cm around the apparatus is needed for sufficient ventilations.
34. The ventilation should not be impeded by covering the ventilation openings with items such as newspapers, table-cloths, curtains etc.
35. No naked flame sources such as lighted candles should be placed on the apparatus.
36. Attention should be drawn to the environmental aspects of battery disposal.
37. The apparatus can only be used in moderate extremely cold or climates warm environments should be avoided.
38. The rating label has been marked on the bottom panel of the apparatus.
39. This device is not intended for use by people (including children) with physical, sensory or mental disabilities, or a lack of experience and knowledge, unless they're under supervision or have received instructions about the correct use of the device by the person who is responsible for their safety.
40. This product is intended for household use only and not for commercial or industrial use.
41. Make sure the unit is adjusted to a stable position. Damage caused by using this product in an unstable position or by failure to follow any other warning or precaution contained within this user manual will not be covered by warranty.
42. Never remove the casing of this apparatus.
43. Never place this apparatus on other electrical equipment.
44. Do not use or store this product in a place where it is subject to direct sunlight, heat, excessive dust or vibration.
45. Do not clean this product with water or other liquids.
46. Do not block or cover the slots and holes in the product.
47. Do not push foreign objects into the slots or holes in the product.
48. Do not allow children access to plastic bags.
49. Please check that the voltage on the type plate of your appliance corresponds with your house electricity supply (type plate is located on the back of the unit).
50. Protect the power cord from being walked on or pinched, particularly at plugs, convenience receptacles, and the point where they exit from the apparatus.
51. Only use attachments/accessories specified by the manufacturer.
52. Refer all servicing to qualified service personnel. Servicing is required when the apparatus has been damaged in any way, such as the power supply cord or the plug, when liquid has been spilled or objects have fallen into the apparatus, when the apparatus has been exposed to rain or moisture, does not operate normally, or has been dropped.
53. Do not use a damaged power cord or plug or a loose outlet. Doing so may result in fire or electric shock.



Warning: prolonged exposure to loud sounds from personal music players may lead to temporary or permanent hearing loss.

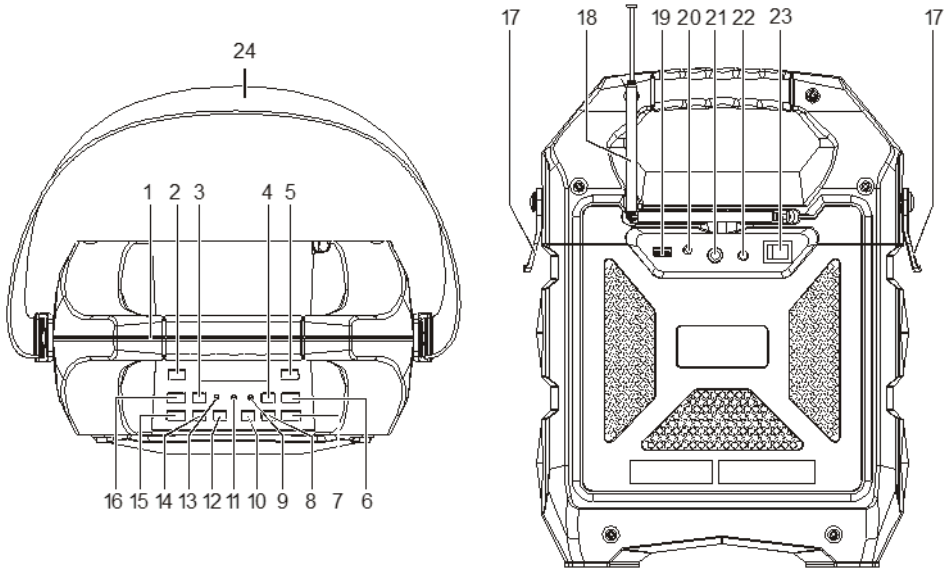


The USB memory stick should be plugged into the unit directly. Don't use an USB extension cable because it can cause interference resulting in failing of data.

INSTALLATION

- Unpack all parts and remove protective material.
- Do not connect the unit to the mains before checking the mains voltage and before all other connections have been made.
- Do not cover any vents and make sure that there is a space of several centimeters around the unit for ventilation.

PART DESCRIPTIONS



- | | |
|-------------------------|---|
| 1. HANDLE | 13. POWER INDICATOR |
| 2. EQ KEY | 14. PAUSE/PLAY/BT OFF |
| 3. TUNING UP | 15. SOURCE |
| 4. ECHO DOWN | 16. TUNING DOWN |
| 5. REPEAT KEY | 17. BALDRIC CLIP |
| 6. ECHO UP | 18. FM ANTENNA |
| 7. MIC VOLUME UP | 19. USB PORT |
| 8. MIC VOLUME DOWN | 20. LINE IN |
| 9. BATTERY INDICATOR | 21. MIC PORT |
| 10. VOLUME UP KEY | 22. DC (15V 1.0A) INPUT $\ominus \text{ } \oplus$ |
| 11. BLUETOOTH INDICATOR | 23. POWER ON/OFF KEY |
| 12. VOLUME DOWN KEY | 24. SHOULDER STRAP |

SAFETY INSTRUCTIONS

To ensure proper operation of the product and prevent fire or shock hazard, please carefully read all information contained in these Safety Instructions.



The lightning flash with arrowhead symbol, within an equilateral triangle, is intended to alert the user to the presence of uninsulated "dangerous voltage" within the product's enclosure that may be of sufficient magnitude to constitute a risk of electric shock to persons.

CAUTION

**RISK OF ELECTRIC SHOCK
DO NOT OPEN**

WARNING: TO REDUCE THE RISK OF ELECTRIC SHOCK, DO NOT REMOVE COVER (OR BACK). NO USER-SERVICEABLE PARTS INSIDE. REFER SERVICING TO QUALIFIED SERVICE PERSONNEL.



The exclamation point within an equilateral triangle is intended to alert the user to the presence of important operating and maintenance (servicing) instructions in the literature accompanying the appliance.

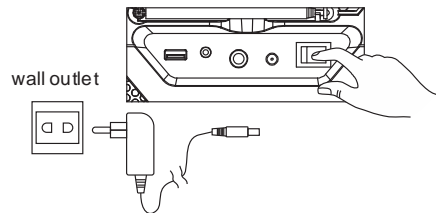
UNPACKING:

Check that all the following items should be included in the box.

- Main Unit
- AC Power Adaptor
- User Manual
- Shoulder Strap

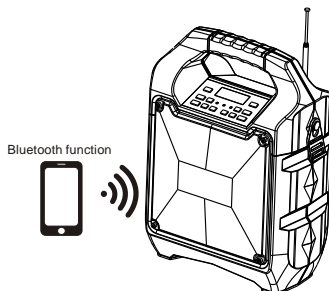
POWER CONNECTION

- Unpack this product; ensure the power ON/OFF switch is on "OFF".
- Connect the supplied AC adaptor to this product; plug the AC adaptor to the wall outlet.



BLUETOOTH CONNECTION

- Once the power switch is turned to "On", Bluetooth "BT" mode is set as default.
- Blue LED indicator will be flash in pairing mode. The red LED display will show "bt"
- Turn on the Bluetooth function on your device and search for "Lenco PA-30" then press to connect.
- Connected sound signal will be heard and the blue led connection indicator will stop blinking and stay steady.
- Bluetooth connection is completed.
- Select the music from your Bluetooth device and start playing.
- Holding the BT OFF key to disconnect paired device and enter pairing mode.

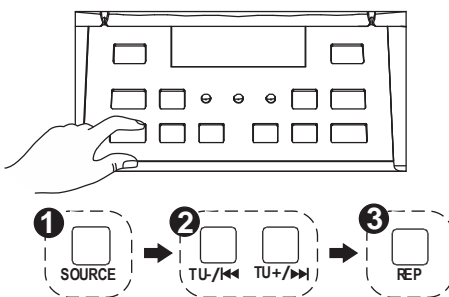


FM RADIO

- Press the "Source" button and select Radio, the FM Radio Frequency will show on the red LED display.
- Press play/pause key to auto search and store.
- Press and hold the TU ◀◀ or TU ▶▶ buttons to choose the next stored available station. Short press them to fine tune.

USB PORT

- Press the "Source" button and select USB. USB will show on the red LED display.
- Insert the USB stick.
- Select your favorable music by pressing TU ◀◀ or TU ▶▶.
- Press "REPEAT" once to repeat the current selected song.
- Press "REPEAT" the 2nd time to repeat all songs.
- Press "REPEAT" the 3rd times to random
- Press "REPEAT" again to turn repeat off.

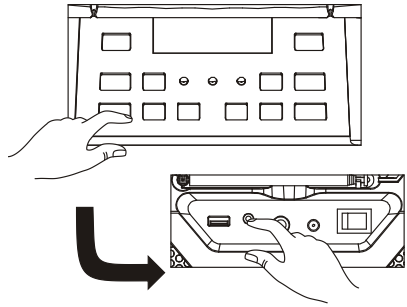


It will automatically switch to USB mode once insert the USB stick.

Important: The USB port is intended for data transfer only. Other devices cannot be used with this USB connection. The use of USB extension cords is not recommended.

LINE IN

- Press the "Source" Button and select LINE. LINE will show on the red LED display.
- Plug in your 3.5mm cable into the LINE Input on the back panel and the unit will enter into LINE IN mode.
- You can connect any audio device that has 3.5mm audio output jack and playback any audio from the connected device.



RECHARGING

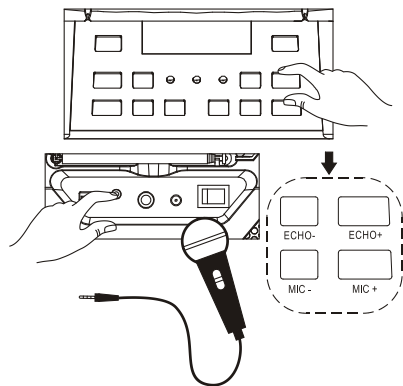
- Unit comes with a battery indicator alert.
- If Battery LED flashes, it means the battery level is low and recharging is required.
- By connecting the AC power, the Battery LED will turn red, it means the unit is under recharging.
- When the Battery LED becomes green, it means the battery is fully charged.

It is recommended to charge the battery about 6 hours before you start using the unit for the first time.

Caution: To keep the rechargeable battery in good condition, users should check the unit and be sure to turn the Power On/Off switch on the back panel to "Off" every time after using and before storage, it is highly recommended that users should fully recharge the battery at least once every two months.

SING-A-LONG

- This product allows you to sing-a-long with the songs that are playing either on BT, USB or LINE IN mode.
- Plug in your Microphone cable into the side panel marked "MIC"
- Adjust the MIC Volume "MIC +/MIC -" or main volume on the top control panel.
- Adjust the Echo level "ECHO +/ECHO -".
- Start to sing



WARNING: - If the MIC Volume and ECHO level set too high or to the maximum, be caution with the high pitch reflection tone.

SOUND EFFECTS

- "PA-30" has a built in Equalizer
- Press and select the preset sound effect for your music; FLAT, CLASSIC, POP, ROCK and JAZZ

TROUBLESHOOTING

General

No power

- Check that AC adaptor is securely inserted in the unit and the electrical outlet.
- Check the Power On/Off switch is turn to On position.
- If battery is flat Plug in the AC adaptor to charge and operate.

Keys no response

- Turn the Power On/Off switch to Off, wait one minute and then On again to reset the unit.
- Unplug the AC adaptor and plug it back again.

No sound heard

- Make sure the LINE connected volume is turn to reasonable level.
- Make sure the Bluetooth connected device output the audio via BT out.
- Make sure the Bluetooth connected device volume is turn to reasonable level.

Bluetooth Operations

Audio quality is poor


- Bluetooth reception is poor. Move the Bluetooth device nearer to the speaker.

Cannot pair to Bluetooth device

- Make sure both Bluetooth device and speaker are not connected to any other Bluetooth device.
- Make sure the blue LED on the speaker is flashing quickly (Pairing mode).
- Turn Power switch to Off, and then On again, Press and hold BT off button for 2 seconds to enter into pairing mode.

SPECIFICATIONS

General

Input Source:	Bluetooth/LINE/FM/USB
Power Consumption:	20W
Bluetooth Range:	10M (33 feet)
LINE IN:	3.5mm
USB Playback:	Full Speed 2.0
Control Buttons:	Power, Source, Bluetooth pairing, Volume Up/Down, EQ, MIC (ECHO-/ECHO+), REP,
LED Indicator:	Power (RED LED x 1) Bluetooth (BLUE LED x 1) Battery LED (RED LED x 1, GREEN LED x 1)
Battery:	Yes: 12V 2600MAH
Power Source:	DC 15V  1.0A
FREQ Range:	FM 87.5-108 MHz
Speaker Output Wattage:	25W (RMS)
Speaker Driver Size:	5" (Subwoofer)
Speaker Grill:	Metal Speaker Grill
Full Range:	Yes
S/N:	> 50 dB
Cabinet Material:	Plastic
Dimension (W x H x D):	135 X 260 X 350 (mm)
Weight (KG):	3.05KG

Bluetooth

Bluetooth Version:	3.0 + EDR
Bluetooth Profile:	A2DP, AVRCP
Bluetooth Frequency Band:	2.402 GHz - 2.480 GHz
Bluetooth Range:	10 meters

About Sealed Lead-Acid Battery:

This unit works either on the battery pack (Model no.: Tianchang 6-FM-2.6, 12V, 2600mAh) unplug the AC Power adapter from the DC input jack to work on the battery pack (after fully charged); plugging the AC Power adapter while the battery pack is attached initiates the charging of this battery. The charged LED indicator lights red during charging, when the battery is fully charged the indicator is green. Fully charging an empty battery pack may take 8 hours. A fully charged battery pack can last approximately 10 hours at 50% volume of continuous playback. This playing time may vary with the surrounding environment, the volume level of the speaker and the battery condition. It is advised that you wait 10-20 minutes before recharging the battery pack if it has run flat during operation.

Danger of explosion if battery is incorrectly replaced

Energy Saving:

To save energy the PA-30 will automatically go in stand-by mode when no music is received during 20 minutes. To re-activate the speaker, move the Power switch to OFF, wait for seconds and ON again.

This product operates at 2400 - 2483.5 MHz and is designated only to be used inside a normal household environment. This product is suited for this purpose within all EU counties.

Guarantee

Lenco offers service and warranty in accordance with the European law, which means that in case of repairs (both during and after the warranty period) you should contact your local dealer.

Important note: It is not possible to send products that need repairs to Lenco directly.

Important note: If this unit is opened or accessed by a non-official service center in any way, the warranty expires.

This device is not suitable for professional use. In case of professional use, all warranty obligations of the manufacturer will be voided.

Disclaimer

Updates to Firmware and/or hardware components are made regularly. Therefore some of the instruction, specifications and pictures in this documentation may differ slightly from your particular situation. All items described in this guide for illustration purposes only and may not apply to particular situation. No legal right or entitlements may be obtained from the description made in this manual.

Disposal of the Old Device



This symbol indicates that the relevant electrical product or battery should not be disposed of as general household waste in Europe. To ensure the correct waste treatment of the product and battery, please dispose them in accordance to any applicable local laws of requirement for disposal of electrical equipment or batteries. In so doing, you will help to conserve natural resources and improve standards of environmental protection in treatment and disposal of electrical waste (Waste Electrical and Electronic Equipment Directive).

Service

For more information and helpdesk support, please visit www.lenco.com
Lenco Benelux BV, Thermiekstraat 1a, 6361 HB, The Netherlands.

Beste klant,

Hartelijk bedankt voor het aanschaffen van dit Lenco product. Kwaliteit en bruikbaarheid zijn onze topprioriteit. Wij hebben dit product gefabriceerd met gebruik van standaarden, materialen en onderdelen van de hoogste kwaliteit, zodat u optimaal van dit product kunt genieten.

Veiligheidsinstructies

Zorgvuldig lezen voorafgaand aan gebruik



OPGELET – RISICO OP ELEKTRISCHE SCHOK – NIET OPENEN



LET OP: VERWIJDER GEEN VAN DE SCHROEVEN VAN DE BEHUIZING, OM ELEKTRISCHE SCHOKKEN TE VOORKOMEN. GEEN INTERNE ONDERDELEN DIE U ZELF KUNT REPAREREN. VRAAG EEN GEKwalificeerde ONDERHOUDSPERSOON HET APPARAAT TE REPAREREN.

LET OP:

Gebruik van bedieningen of afstellingen of uitvoer van procedures anders dan gespecificeerd in deze documentatie kan leiden tot blootstelling aan schadelijke straling. Dit apparaat dient uitsluitend te worden aangepast of gerepareerd door gekwalificeerd onderhoudspersoneel.

VOORZORGSMAATREGELEN VOOR GEBRUIK**ONTHOUD DE VOLGENDE INSTRUCTIES:**

1. Gebruik dit apparaat niet in de buurt van water.
2. Reinig het uitsluitend met een licht vochtige doek.
3. Bedek of blokkeer de ventilatie-openingen niet. Wanneer u het apparaat op een schap plaatst, dient u 5 cm (2") vrije ruimte rondom het gehele apparaat te behouden.
4. Installeer het product volgens de meegeleverde gebruikershandleiding.
5. Nooit op de stroomadapter stappen of deze indrukken. Wees voornamelijk voorzichtig in de buurt van de stekkers en het punt waar de kabel uit het apparaat komt. Plaats geen zware voorwerpen op de stroomadapter, om beschadiging ervan te voorkomen. Houd het gehele apparaat buiten bereik van kinderen! Wanneer kinderen met de voedingskabel spelen, kunnen zij ernstig letsel oplopen.
6. Haal de stekker uit het stopcontact tijdens onweer of wanneer u deze langere tijd niet gebruikt.

7. Houd het apparaat uit de buurt van hittebronnen, zoals radiateurs, verwarmingen, kachels, kaarsen en andere hittegenererende producten.
8. Gebruik dit apparaat niet in de buurt van krachtige magnetische velden.
9. Elektrostatische ontlading kan normaal gebruik van dit apparaat verstoren. U hoeft het apparaat in dit geval slechts te resetten en opnieuw op te starten volgens de gebruikershandleiding. Wees voorzichtig tijdens bestandsoverdracht en doe dat in een omgeving zonder statische verstoringen.
10. Waarschuwing! Steek nooit een voorwerp via de ventilatie- of andere openingen in het product. Er is hoogspanning in het product aanwezig en als u er een object insteekt, kan dat een elektrische schok veroorzaken en/of kortsluiting in de interne onderdelen. Mors om dezelfde reden geen water of vloeistof op het product.
11. Gebruik het toestel niet in vochtige ruimtes, zoals badkamers, stomende keukens of in de buurt van zwembaden.
12. Gebruik dit apparaat niet wanneer condensatie kan optreden.
13. Alhoewel dit apparaat met grote zorg gefabriceerd en verschillende keren geïnspecteerd is voordat het de fabriek verlaat, is het nog steeds mogelijk dat er problemen optreden, zoals met alle elektrische apparaten. Als u rook, een overmatige hitteontwikkeling of enig ander onverwacht verschijnsel opmerkt, moet u onmiddellijk de stekker van het netsnoer uit het stopcontact halen.
14. Dit apparaat moet te allen tijde goed worden geventileerd!
15. Dit apparaat moet aangedreven worden door een voedingsbron, zoals aangegeven op het specificatieplaatje. Als u twijfelt over het type voeding dat gebruikt wordt in uw huis, raadpleeg dan a.u.b. uw dealer of plaatselijk energiebedrijf.
16. Het stopcontact moet in de buurt van de apparatuur zijn geïnstalleerd en eenvoudig te bereiken zijn.
17. Overbelast stopcontacten of verlengsnoeren niet. Overbelasting kan brand of een elektrische schok veroorzaken.
18. Apparaten met een Klasse 1 structuur dienen te worden aangesloten op een stopcontact met een beschermende aardverbinding.
19. Apparaten met een Klasse 2 structuur vereisen geen aardverbinding.
20. Houd ze uit de buurt van knaagdieren. Knaagdieren knauwen graag aan voedingskabels.
21. Houd altijd de stekker vast wanneer u deze uit het stopcontact trekt. Trek nooit aan de voedingskabel. Dit kan tot een kortsluiting leiden.
22. Vermijd om het toestel te plaatsen op een ondergrond die blootgesteld kan worden aan trillingen of schokken.
23. Om het apparaat tijdens onweer te beschermen, haalt u de netvoedingadapter uit het stopcontact.
24. Wanneer het apparaat voor een lange periode niet in gebruik is, haalt u de netvoedingadapter om veiligheidsredenen uit het stopcontact.

25. Gebruik een zacht, droog doekje om het apparaat te reinigen. Gebruik geen oplosmiddelen of op benzine gebaseerde vloeistoffen. U kunt een vochtig doekje met verdund schoonmaakmiddel gebruiken om hardnekkige vlekken te verwijderen.
26. De leverancier is niet verantwoordelijk voor schade of verloren gegevens veroorzaakt door storing, misbruik, modificatie van het apparaat of batterijvervanging.
27. Onderbreek nooit de verbinding wanneer het apparaat formatteert of bestanden overdraagt. De gegevens kunnen anders corrupt of verloren raken.
28. De USB-geheugenstick dient direct in het apparaat te worden gestoken. Gebruik geen USB-verlengkabel, omdat die kan leiden tot storingen met foutieve gegevens als gevolg.
29. Het apparaat mag niet worden blootgesteld aan druppels of spatten en zorg ervoor dat er geen met vloeistof gevulde voorwerpen, zoals vazen, op of nabij het apparaat zijn geplaatst.
30. Om de verbinding met de stroomaansluiting volledig te verbreken, moet de stekker van het apparaat uit het stopcontact worden gehaald, omdat de stekker van het apparaat de hoofdschakelaar is.
31. De stekker van het apparaat mag niet worden belemmerd en moet tijdens gebruik eenvoudig toegankelijk worden gehouden.
32. Batterijen mogen niet aan overmatige hitte, zoals zonlicht, open vuur e.d. worden blootgesteld.
33. Een afstand van minimaal 10 cm rondom het apparaat is nodig voor voldoende ventilatie.
34. De ventilatie mag niet worden gehinderd door het bedekken van de ventilatieopeningen met voorwerpen zoals kranten, tafelkleden, gordijnen etc.
35. Plaats geen bronnen met een open vlam, zoals brandende kaarsen, op het apparaat.
36. Aandacht voor het milieu is nodig bij het verwijderen van de batterijen.
37. Het apparaat kan alleen worden gebruikt in gematigde klimaten. Extreem koude of warme omgevingen moeten worden vermeden.
38. Het nominale specificatielabel is te vinden op het paneel aan de onderkant van het apparaat.
39. Dit apparaat is niet bestemd voor gebruik door mensen (inclusief kinderen) met fysieke, zintuiglijke of geestelijke gebreken of gebrek aan kennis en ervaring, tenzij zij onder toezicht staan of instructies hebben over het juiste gebruik van het apparaat hebben gekregen van de persoon die verantwoordelijk is voor hun veiligheid.
40. Dit product is alleen voor huishoudelijk gebruik bedoeld en niet voor commercieel of industrieel gebruik.
41. Verzekeer u ervan dat het apparaat in een stabiele positie staat opgesteld. Schade, veroorzaakt door het gebruik van dit product in een onstabiele positie, of door het niet naleven van waarschuwingen of voorzorgsmaatregelen genoemd in deze handleiding, valt niet onder de garantie.
42. Verwijder nooit de behuizing van dit apparaat.

43. Plaats dit apparaat nooit op andere elektrische apparatuur.
44. Dit product niet gebruiken of opslaan op plaatsen waar het wordt blootgesteld aan direct zonlicht, hitte, buitensporig veel stof of trillingen.
45. Reinig dit product niet met water of andere vloeistoffen.
46. Bedek of blokkeer de gleuven en de gaten in het product niet.
47. Stop geen vreemde voorwerpen in de gleuven of gaten van het product.
48. Geef kinderen geen gelegenheid in aanraking met plastic zakken te komen.
49. Controleer of de spanning op het specificatieplaatje van uw apparaat overeenkomt met het lichtnet in uw huis (specificatieplaatje is te vinden op de achterzijde van het apparaat).
50. Zorg ervoor dat niemand op de voedingskabel kan gaan staan of dat de kabel kan worden ingedrukt, voornamelijk bij stekkers, stopcontacten en het punt waar kabels uit het apparaat komen.
51. Gebruik uitsluitend uitbreidingen/accessoires gespecificeerd door de fabrikant.
52. Laat alle reparaties over aan gekwalificeerd onderhoudspersoneel. Onderhoud is vereist als het toestel hoe dan ook is beschadigd, zoals bijvoorbeeld het netsnoer of de stekker, wanneer er vloeistof of een voorwerp in het apparaat is terechtgekomen, wanneer het apparaat is blootgesteld aan regen of vocht, als het niet normaal werkt of is gevallen.
53. Gebruik nooit een beschadigde voedingskabel of stekker of een los stopcontact. Dit vormt namelijk een risico op brand of elektrische schokken.



Waarschuwing: Langdurige blootstelling aan luid geluid van persoonlijke muzikspelers kan leiden tot tijdelijke of permanente gehoorbeschadiging.

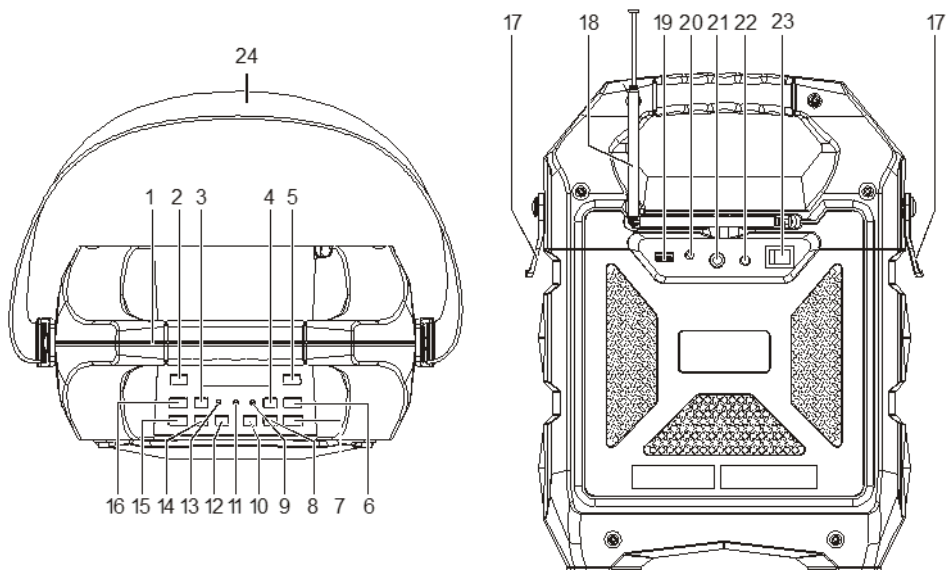


De USB-geheugenstick dient direct in het apparaat te worden gestoken. Gebruik geen USB-verlengkabel, omdat die kan leiden tot storingen met foutieve gegevens als gevolg.

INSTALLATIE

- Pak alle onderdelen uit en verwijder de beschermende materialen.
- Sluit het apparaat niet aan op het stopcontact, voordat u de netspanning hebt gecontroleerd en voordat alle andere aansluitingen zijn gemaakt.
- Bedek geen van de ventilatieopeningen en zorg voor enkele centimeters vrije ruimte rondom het apparaat voor ventilatie.

ONDERDEELBESCHRIJVING



- | | |
|-----------------------------|---|
| 1. HENDEL | 13. INDICATIELAMPJE AAN/UIT |
| 2. EQ-TOETS | 14. PAUZE/START/BT UIT |
| 3. OMHOOG AFSTEMMEN | 15. BRON |
| 4. ECHO VERLAGEN | 16. OMLAAG AFSTEMMEN |
| 5. HERHAALTOETS | 17. KLEM VOOR SCHOUDERRIEM |
| 6. ECHO VERHOGEN | 18. FM-ANTENNE |
| 7. MICROFOONVOLUME VERHOGEN | 19. USB-POORT |
| 8. MICROFOONVOLUME VERLAGEN | 20. LIJNINGANG |
| 9. BATTERIJINDICATOR | 21. MICROFOONINGANG |
| 10. VOLUMETOETS OMHOOG | 22. DC-INGANG (15V 1,0A) \ominus \oplus |
| 11. BLUETOOTH-INDICATOR | 23. AAN-/UITTOETS |
| 12. VOLUMETOETS OMLAAG | 24. SCHOUDERRIEM |

VEILIGHEIDSINSTRUCTIES

Lees alle informatie in deze veiligheidsinstructies a.u.b. zorgvuldig, om de correcte werking van het product te garanderen en het risico op brand of schokken te voorkomen.



Het symbool met de bliksemschicht met pijlpunt in een gelijkzijdige driehoek, is bedoeld om de gebruiker te attenderen op de aanwezigheid van niet-geïsoleerde, "gevaarlijke spanning" binnen de behuizing van het apparaat, die voldoende groot kan zijn voor het risico op een elektrische schok.

LET OP
RISICO OP ELEKTRISCHE SCHOKKEN
OPEN HET APPARAAT NIET

WAARSCHUWING: OM HET RISICO OP ELEKTRISCHE SCHOKKEN TE VOORKOMEN, NOOIT DE BEHUIZING (OF ACHTERZIJDE) OPENEN. ER ZIJN GEEN INTERNE ONDERDELEN DIE DE GEBRUIKER ZELF KAN REPAREREN. LAAT ALLE REPARATIES DOOR BEVOEGD ONDERHOUDSPERSONEEL UITVOEREN.



Het uitroepteken binnenin een gelijkzijdige driehoek is bestemd de gebruiker te wijzen op de aanwezigheid van belangrijke gebruik- en onderhoudsinstructies in de documentatie meegeleverd met het apparaat.

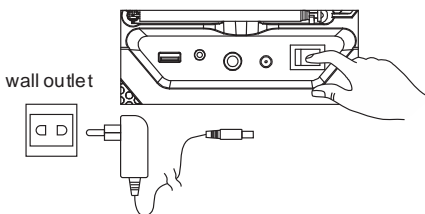
UITPAKKEN:

Controleer of alle onderdelen hieronder zijn inbegrepen in de doos.

- Hoofdeenheid
- AC-stroomadapter
- Gebruiksaanwijzing
- Schouderriem

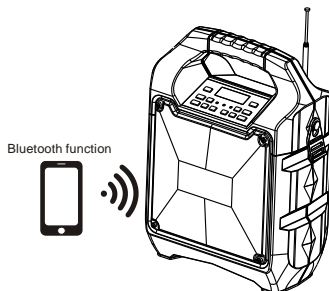
AANSLUITING STROOMVOORZIENING

- Pak dit product uit; zorg ervoor dat de AAN-/UIT-schakelaar op de stand "UIT" staat.
- Sluit de meegeleverde AC-adapter aan op dit product; steek de AC-adapter in het stopcontact.



BLUETOOTH-VERBINDING

- Zodra de aan-/uitschakelaar op "Aan" is gezet, zal standaard de Bluetooth-modus "BT" worden ingesteld.
- De blauwe LED-indicator zal knipperen in paringmodus. De rode LED-display zal "bt" weergeven.
- Schakel de Bluetooth-functie in op uw apparaat, zoek naar "Lenco PA-30" en druk vervolgens op deze naam om verbinding te maken.
- Er zal na een geslaagde verbinding een bevestigingssignaal klinken terwijl de blauwe LED-verbindingsindicator zal stoppen met knipperen en constant zal blijven branden.
- De Bluetooth-verbinding is tot stand gebracht.
- Selecteer de muziek op uw Bluetooth-apparaat en start het afspelen.
- Houd de toets "BT OFF" ingedrukt om het verbonden apparaat te ontkoppelen en de paringmodus weer te openen.

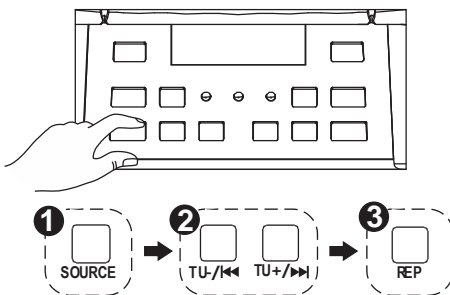


FM-radio

- Druk op de toets "Source" en selecteer Radio; de FM-radiofrequentie zal op de rode LED-display verschijnen.
- Druk op de start-/pauzetoets om automatisch te scannen en op te slaan.
- Houd de toets TU ◀◀ of TU ▶▶ ingedrukt om het volgende opgeslagen beschikbare station te selecteren. Druk kort op deze toetsen om fijner af te stemmen.

USB-POORT

- Druk op de toets "Source" en selecteer USB. De rode LED-display zal "USB" weergeven.
- Sluit een USB-drive aan.
- Druk op TU ◀◀ of TU ▶▶ om de gewenste muziek te selecteren.
- Druk eenmaal op "REPEAT" om de huidige geselecteerde track te herhalen.
- Druk een 2^{de} keer op "REPEAT" om alle tracks te herhalen.
- Druk een 3^{de} keer op "REPEAT" om op willekeurige volgorde af te spelen.
- Druk nogmaals op "REPEAT" om de herhaalmodus uit te schakelen.

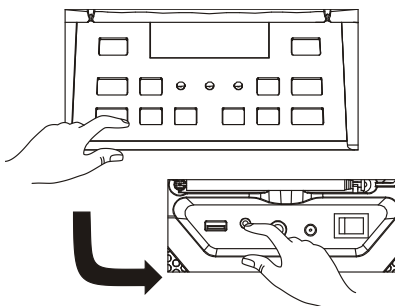


Het apparaat zal automatisch op USB-modus schakelen zodra u een USB-drive aansluit.

Belangrijk: De USB-poort is uitsluitend bestemd voor gegevensoverdracht. Andere apparaten kunnen niet met deze USB-aansluiting worden gebruikt. Het gebruik van USB-verlengkabels raden we af.

LIJNINGANG

- Druk op de toets "Source" en selecteer LINE (lijn). De rode LED-display zal "LINE" (lijn) weergeven.
- Sluit uw 3,5mm kabel aan op de LIJNINGANG op het achterpaneel en het apparaat zal de modus LIJNINGANG openen.
- U kunt elke gewenste audiobron voorzien van een 3,5mm audio-uitgang aansluiten en de muziek via het aangesloten muziek afspelen.



OPLADEN

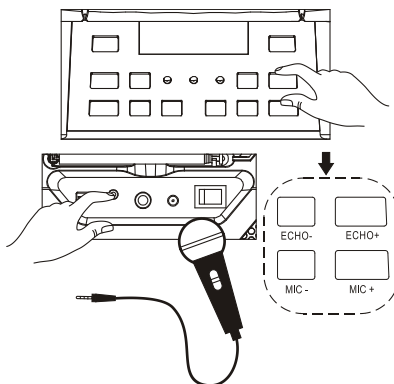
- Dit apparaat is voorzien van een batterijindicator om u te waarschuwen op een uitgeputte batterij.
- Als de batterij-LED knippert, betekent dit dat het batterijvermogen laag is en het apparaat moet worden opgeladen.
- Als u de AC-voeding aansluit, zal de batterij-LED rood beginnen te branden om aan te geven dat het apparaat wordt opgeladen.
- Wanneer de batterij-LED op groen springt, betekent dit dat de batterij volledig is opgeladen.

Wij raden aan de batterij ongeveer 6 uur op te laden voordat u het apparaat voor het eerst in gebruik neemt.

Let op: Om de oplaadbare batterij in een goede conditie te houden, dient u de aan-/uitschakelaar op het achterpaneel op "Off" (uit) te zetten na elk gebruik en voorafgaand aan opslag. Wij raden sterk aan de batterij minstens eenmaal elke twee maanden volledig op te laden.

MEEZINGEN

- U kunt met dit product meezingen met de liedjes die u afspeelt in de modus BT, USB of LIJNINGANG.
- Steek uw microfoonkabel in de ingang op het zijpaneel gemarkeerd met "MIC".
- Pas het microfoonvolume "MIC +/MIC -" aan of het hoofdvolume op het bedieningspaneel bovenop het apparaat.
- Pas het echoniveau "ECHO +/ECHO -" aan.
- Begin met zingen.



WAARSCHUWING: - Als het microfoonvolume en het echoniveau te hoog of op maximaal zijn ingesteld, kan er vervelende feedback optreden.

GELUIDSEFFECTEN

- De "PA-30" is voorzien van een ingebouwde equalizer.
- Druk op de toets en selecteer het gewenste standaard geluidseffect voor uw muziek; VLAK, KLASSIEK, POP, ROCK of JAZZ.

PROBLEEMOPLOSSING

Algemeen

Geen spanning

- Controleer of de AC-adapter stevig is aangesloten op het apparaat en stopcontact.
- Controleer of de aan-/uitschakelaar op de stand "On" (aan) staat.
- Als de batterij is uitgeput, sluit de AC-adapter aan het apparaat op te laden en weer te gebruiken.

Toetsen reageren niet

- Schakel de aan-/uitschakelaar op de stand "Off" (uit), wacht een minuutje en schakel vervolgens weer in om het apparaat te resetten.
- Koppel de AC-adapter los en sluit weer aan.

Er klinkt geen geluid

- Zorg ervoor dat het volume van het apparaat aangesloten op de LIJNINGANG op een redelijk niveau is ingesteld.
- Controleer of het verbonden Bluetooth-apparaat audio afspeelt via de BT-uitgang.
- Zorg ervoor dat het volume van het verbonden Bluetooth-apparaat op een redelijk niveau is ingesteld.

Bediening Bluetooth

Slechte audiokwaliteit

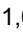
- Slechte Bluetooth-ontvangst. Plaats het Bluetooth-apparaat dicht bij de luidspreker.

Paring met een Bluetooth-apparaat mislukt

- Controleer of zowel het Bluetooth-apparaat als de luidspreker niet al zijn verbonden met een ander Bluetooth-apparaat.
- Controleer of de blauwe LED op de luidspreker snel knippert (paringmodus).
- Schakel de aan-/uitschakelaar uit en weer in, houd de toets "BT OFF" 2 seconden ingedrukt om de paringmodus te openen.

SPECIFICATIES

Algemeen

Ingangsbron:	Bluetooth/LIJN/FM/USB
Opgenomen vermogen:	20W
Bluetooth-bereik:	10M (33 voet)
LIJNINGANG:	3,5mm
Afspelen via USB:	Full-Speed 2.0
Bedieningstoetsen:	Aan/Uit, Bron, Bluetooth-paring, Volume Verhogen/Verlagen, EQ, MIC (ECHO-/ECHO+), Herhaalmodus,
LED-indicator:	Voeding (RODE LED x 1) Bluetooth (BLAUWE LED x 1) Batterij-LED (RODE LED x 1, GROENE LED x 1)
Batterij:	Ja: 12V 2600MAH
Voedingsbron:	DC 15V  1,0A
FREQ-bereik:	FM 87,5-108 MHz
Uitgangsvermogen van luidspreker:	25W (RMS)
Drivergrootte van luidspreker:	5" (subwoofer)
Luidsprekerrooster:	Metalen luidsprekerrooster
Vol bereik:	Ja
Signaal/ruis:	> 50 dB
Behuizingsmateriaal:	Kunststof
Afmetingen (B x H x D):	135 X 260 X 350 (mm)
Gewicht (KG)	3,05KG

Bluetooth

Bluetooth-versie	3.0 + EDR
Bluetooth-profiel	A2DP, AVRCP
Bluetooth-frequentieband:	2,402 GHz – 2,480 GHz
Bluetooth-bereik:	10 meter

Over de verzegelde loodzuurbatterij:

Dit apparaat werkt op zowel AC-voeding als op het batterijblok (modelnummer: Tianchang 6-FM-2,6, 12V, 2600mAh). Koppel de AC-stroomadapter los van de DC-ingang om op het batterijblok te laten werken (na volledig te hebben opgeladen); sluit de AC-stroomadapter aan terwijl het batterijblok is bevestigd om deze batterij op te laden. De LED-laadindicator zal rood branden tijdens het opladen en op groen springen zodra de batterij volledig is opgeladen. Het kan 8 uur duren om een leeg batterijblok volledig op te laden. Een volledig opgeladen batterijblok verstrekt een onafgebroken afspeeltijd van ca. 10 uur op 50% volume. Deze afspeeltijd kan variëren op basis van de directe omgeving, het volumeniveau en de conditie van de batterij. Wij raden aan 10-20 minuten te wachten voordat u het batterijblok oplaadt als deze tijdens gebruik uitgeput is geraakt.

Als de batterij onjuist wordt geplaatst, bestaat er explosiegevaar

Energiebesparing:

Om energie te besparen, zal de PA-30 automatisch op stand-by schakelen nadat er 20 minuten lang geen muziek wordt ontvangen. U kunt de luidspreker opnieuw activeren door de aan-/uitschakelaar op "OFF" (uit) te zetten, enkele seconden te wachten en weer op "ON" (aan) te schakelen.

Dit product werkt op 2400 - 2483,5 MHz en is ontworpen om alleen te worden gebruikt in een normale huishoudelijke omgeving. Dit product is geschikt voor dit doel binnen alle EU-landen.

Garantie

Lenco biedt service en garantie aan overeenkomstig met de Europese wetgeving. Dit houdt in dat u, in het geval van reparaties (zowel tijdens als na de garantieperiode), uw lokale handelaar moet contacteren.

Belangrijke opmerking: Het is niet mogelijk om producten die moeten worden gerepareerd rechtstreeks naar Lenco te sturen.

Belangrijke opmerking: De garantie verloopt als een onofficieel servicecenter het apparaat op wat voor manier dan ook heeft geopend, of er toegang toe heeft gekregen. Het apparaat is niet geschikt voor professioneel gebruik. In het geval van professioneel gebruik worden alle garantieverplichtingen van de fabrikant nietig verklaard.

Disclaimer

Er worden regelmatig updates in de firmware en/of hardwarecomponenten gemaakt. Daardoor kunnen gedeelten van de instructie, de specificaties en afbeeldingen in deze documentatie enigszins verschillen van uw eigen situatie. Alle onderwerpen die staan beschreven in deze handleiding zijn bedoeld als illustratie en zijn niet van toepassing op specifieke situaties. Aan de beschrijving in dit document kunnen geen rechten worden ontleend.

Afvoer van het oude apparaat



Dit symbool geeft aan dat het betreffende elektrische product of de accu/batterij niet mag worden verwijderd als algemeen huishoudelijk afval in Europa. Zorg voor een juiste afvalverwerking door het product en de accu/batterij in overeenstemming met alle van toepassing zijnde lokale wetten voor het verwijderen van elektrische apparatuur of accu's/batterijen te verwijderen. Als u dit doet, helpt u de natuurlijke hulpbronnen te behouden en de standaard van milieubescherming te verbeteren bij de behandeling en verwijdering van elektrisch afval (Afgedankte Elektrische en Elektronische Apparatuur).

Service

Bezoek voor meer informatie en helpdeskondersteuning www.lenco.com
Lenco Benelux BV, Thermiekstraat 1a, 6361 HB, Nederland.

Sehr geehrte Kundin, sehr geehrter Kunde,

Vielen Dank für den Kauf dieses Produkts von Lenco. Qualität und Benutzerfreundlichkeit sind unsere obersten Prioritäten. Damit Sie dieses Produkt in vollem Umfang genießen können, produzieren wir dieses Produkt unter größter Sorgfalt auf höchstem Qualitätsniveau mit Materialien und Komponenten in Spitzenqualität.

Sicherheitsanweisungen

Bitte vor der Verwendung des Produktes durchlesen



ACHTUNG – RISIKO VON ELEKTRISCHEM SCHOCK – NICHT ÖFFNEN



ACHTUNG: UM EINEN ELEKTRISCHEN SCHLAG ZU VERMEIDEN, DIE SCHRAUBEN DER ABDECKUNG NICHT ENTFERNEN. IM INNEREN BEFINDEN SICH KEINE VOM BENUTZER ZU WARTENDEN TEILE. WARTUNGSARBEITEN NUR VON QUALIFIZIERTEM FACHPERSONAL DURCHFÜHREN LASSEN.

ACHTUNG:

Die zweckentfremdete Bedienung, Benutzung oder Einstellung der Prozeduren kann zu gefährlichen Unfällen durch Strahlen führen.

Dieses Gerät darf außer von qualifizierten Fachleuten von niemand anderem repariert oder eingestellt werden.

VORSICHTSMASSNAHMEN VOR DER BENUTZUNG**BEFOLGEN SIE IMMER FOLGENDE ANWEISUNGEN:**

1. Benutzen Sie das Gerät nicht in der Nähe von Wasser.
2. Benutzen Sie zur Reinigung ein nur leicht befeuchtetes Tuch.
3. Blockieren Sie keine Lüftungsöffnungen. Wenn Sie das Gerät auf ein Regal stellen, lassen Sie um das gesamte Gerät 5 cm (2") freien Platz.
4. Stellen Sie das Gerät entsprechend den Anweisungen der mitgelieferten Bedienungsanleitung auf.
5. Treten Sie nicht auf das Netzteil und klemmen Sie es auch nicht ein. Seien Sie im näheren Bereich des Steckers und der Herausführungen des Kabels besonders vorsichtig. Stellen Sie keine schweren Gegenstände auf das Netzteil, weil es dadurch beschädigt werden könnte. Halten Sie das gesamte Gerät außerhalb der Reichweite von Kindern! Durch Spielen mit dem Netzkabel können sie sich ernsthafte Verletzungen zuziehen.

6. Trennen Sie das Gerät während eines Gewitters oder bei längerer Nichtbenutzung vom Netz.
7. Halten Sie das Gerät von Hitzequellen wie Radiatoren, Heizern, Öfen, Kerzen oder anderen hitzeerzeugenden Gegenständen fern.
8. Meiden Sie bei der Nutzung des Produkts die Nähe starker Magnetfelder.
9. Elektrostatische Entladungen können die normale Verwendung von diesem Gerät stören. Sollte dies geschehen, führen Sie einfach einen Reset aus und starten Sie dann das Gerät entsprechend den Anweisungen dieser Bedienungsanleitung neu. Gehen Sie besonders bei Datenübertragungen mit dem Gerät vorsichtig um und führen Sie diese nur in einer antielektrischen Umgebung aus.
10. Warnung! Niemals Gegenstände durch die Lüftungsschlitze oder Öffnungen in das Gerät stecken. Im Gerät sind hohe Spannungen vorhanden und das Einführen von Gegenständen kann zu Stromschlag bzw. zu Kurzschlüssen der internen Teile führen. Aus dem gleichen Grund kein Wasser oder Flüssigkeiten in das Gerät geben.
11. Benutzen Sie das Gerät nicht in nasser oder feuchter Umgebung wie Bad, Dampfküche oder in der Nähe von Schwimmbecken.
12. Benutzen Sie das Gerät nicht bei Kondensationsgefahr.
13. Obwohl dieses Gerät unter größter Sorgfalt und vor Auslieferung mehrmals überprüft wurde, können trotzdem wie bei jedem anderen elektrischen Gerät auch Probleme auftauchen. Trennen Sie das Gerät im Falle einer Rauchentwicklung, starker Hitzeentwicklung oder jeder anderen unnatürlichen Erscheinung sofort vom Netz.
14. Das Gerät muss immer gut belüftet sein!
15. Dieses Gerät ist durch eine Stromquelle wie auf dem Typenschild angegeben zu betreiben. Halten Sie bei Unsicherheiten über die Art Ihrer Stromversorgung in Ihrer Wohnung Rücksprache mit Ihrem Händler oder Ihrer Stromzuliefererfirma.
16. Die Wandsteckdose muss sich in der Nähe des Geräts befinden und einfach zu erreichen sein.
17. Steckdosen und Verlängerungsleitungen nicht überlasten. Eine Überlastung kann zu Brandgefahr bzw. Stromschlägen führen.
18. Geräte der Schutzklasse 1 sind an eine Netzsteckdose mit Schutzleiter anzuschließen.
19. Geräte der Schutzklasse 2 benötigen keinen Schutzleiteranschluss.
20. Halten Sie Nagetiere vom Gerät fern. Nagetiere lieben es, am Netzkabel zu nagen.
21. Halten Sie den Netzstecker in der Hand, wenn Sie ihn aus der Netzsteckdose ziehen. Ziehen Sie ihn nicht durch Zerren am Kabel heraus. Das kann zu einem Kurzschluss führen.
22. Vermeiden Sie es, das Gerät auf Oberflächen aufzustellen, die zu Schwingungen oder Stoß neigen.
23. Trennen Sie bei Gewitter den Netzadapter vom Stromnetz, um das Gerät zu schützen.

24. Wenn das Gerät für längere Zeit nicht verwendet wird, sollte die Stromversorgung aus Sicherheitsgründen unterbrochen werden.
25. Benutzen Sie zur Reinigung ein nur leicht befeuchtetes Tuch. Benutzen Sie niemals Lösungsmittel oder Flüssigkeiten auf Ölbasis. Benutzen Sie zum Entfernen hartnäckiger Flecken ein feuchtes Tuch mit mildem Reinigungsmittel.
26. Der Hersteller haftet nicht für Schäden oder Verluste durch Fehlfunktion, Zweckentfremdung oder Modifikation des Geräts oder durch Wechseln der Batterien.
27. Unterbrechen Sie die Verbindung nicht während einer Formatierung oder einer Datenübertragung. Bei Unterbrechung drohen Datenverlust und Datenbeschädigung.
28. USB-Sticks sind direkt mit dem Gerät zu verbinden. Verwenden Sie kein USB-Verlängerungskabel, weil die erhöhte Störungsanfälligkeit zu Datenverlust führen könnte.
29. Das Gerät darf weder Tropf- noch Spritzwasser ausgesetzt werden und es dürfen keine mit Flüssigkeit gefüllten Behälter wie z.B. Vasen auf das Gerät oder in der Nähe des Gerätes gestellt werden.
30. Um das Gerät vollständig vom Netz zu trennen, muss der Netzstecker des Gerätes vom Stromnetz getrennt werden, wobei die zu trennende Einheit den Netzstecker des Gerätes bezeichnet.
31. Der Netzstecker darf nicht blockiert werden und muss während des bestimmungsgemäßen Gebrauchs immer leicht erreichbar sein.
32. Die Batterie darf keiner extremen Hitze wie z.B. Sonnenschein, Feuer o.ä. ausgesetzt werden.
33. Für eine ausreichende Kühlung des Geräts ist um dieses herum mindestens ein Freiraum von 10 cm zu lassen.
34. Die Ventilation darf nicht durch Abdecken der Ventilationsöffnungen durch Gegenstände wie Zeitungen, Tischdecken, Gardinen o.ä. behindert werden.
35. Stellen Sie kein offenes Feuer wie z.B. angezündete Kerzen auf das Gerät.
36. Bei der Batterieentsorgung sind die Entsorgungsvorschriften einzuhalten.
37. Das Gerät kann nur bei moderaten Temperaturen verwendet werden. Eine Nutzung in extrem kalten oder heißen Umgebungen sollte vermieden werden.
38. Das Typenschild befindet sich an der Unterseite des Geräts.
39. Dieses Gerät ist nicht zur Benutzung durch Personen (auch Kinder) mit physischen, sensorischen oder mentalen Beeinträchtigungen oder ohne ausreichender Erfahrung vorgesehen, es sei denn, sie werden durch eine verantwortliche Person beaufsichtigt oder wurden in die ordnungsgemäße Bedienung des Gerätes durch eine für ihre Sicherheit verantwortlichen Person eingewiesen.
40. Dieses Produkt ist nur für den Hausgebrauch und nicht für gewerbliche oder industrielle Zwecke bestimmt.
41. Stellen Sie sicher, dass das Gerät in einer stabilen Position aufgestellt ist. Schäden, die durch Verwendung dieses Produkts in einer instabilen Position oder durch

Nichtbeachtung der anderen in diesem Handbuch enthaltener Warnungen und Vorwarnung entstehen, werden nicht durch die Garantie abgedeckt.

42. Entfernen Sie niemals das Gehäuse dieses Geräts.
43. Stellen Sie dieses Gerät niemals auf andere elektrische Geräte.
44. Verwenden oder bewahren Sie dieses Produkt nicht an Orten auf, in denen es direkter Sonneneinstrahlung, Hitze, übermäßigem Staub oder Vibration ausgesetzt ist.
45. Reinigen Sie dieses Produkt nicht mit Wasser oder anderen Flüssigkeiten.
46. Blockieren Sie nicht die Schlitze und Öffnungen in dieses Produkts.
47. Schieben Sie keine Fremdkörper in die Schlitze und Öffnungen in dieses Produkts.
48. Ermöglichen Sie Kindern nicht den Zugriff auf Plastiktüten.
49. Vergewissern Sie sich, dass die Spannungsangaben auf dem Typenschild des Geräts mit der Spannungsversorgung in Ihrem Haushalt übereinstimmen (Das Typenschild befindet sich an der Rückseite des Geräts).
50. Verhindern Sie, dass das Netzkabel eingequetscht oder darauf getreten wird, insbesondere an den Steckern, Steckdosen und der Stelle, an der das Kabel aus dem Gerät austritt.
51. Benutzen Sie nur vom Hersteller empfohlene Erweiterungen/Zubehörteile.
52. Sprechen Sie alle Eingriffe mit qualifiziertem Fachpersonal ab. Eingriffe werden notwendig, wenn das Gerät in irgendeiner Weise beschädigt wurde, beispielsweise am Netzkabel oder am Netzstecker oder wenn Flüssigkeit in das Gerät gelangt ist bzw. Gegenstände in das Gerät gefallen sind, das Gerät Regen oder Feuchtigkeit ausgesetzt war, es heruntergefallen ist oder nicht ordnungsgemäß funktioniert.
53. Verwenden Sie weder ein beschädigtes Netzkabel noch einen beschädigten Stecker oder eine lockere Steckdose. Es besteht Brand- und Stromschlaggefahr.



Warnung: Längeres Hören lauter Töne aus einem Musikgerät kann zum zeitweiligen oder permanenten Hörverlust führen.

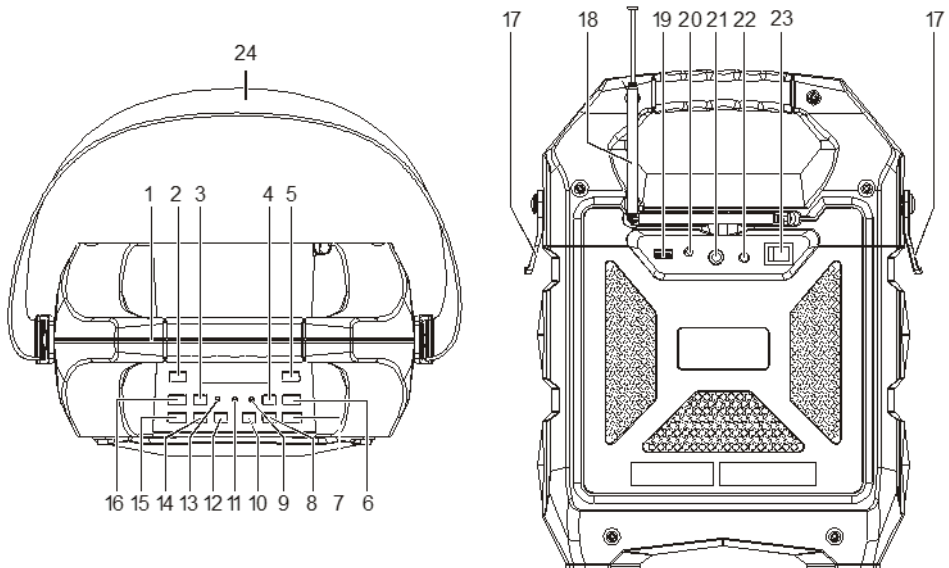


USB-Sticks sind direkt mit dem Gerät zu verbinden. Verwenden Sie kein USB-Verlängerungskabel, weil die erhöhte Störungsanfälligkeit zu Datenverlust führen könnte.

AUFBAU

- Packen Sie alle Teile aus und entfernen Sie danach die Schutzmaterialien.
- Schließen Sie das Gerät nicht eher an das Netz an, bevor Sie die Netzspannung überprüft haben und alle anderen notwendigen Verbindungen hergestellt sind-
- Bedecken Sie die Lüftungsschlitze nicht und vergewissern Sie sich, dass um das Gerät herum einige cm Platz für die Kühlung gelassen wurden.



BESCHREIBUNG DER BESTANDTEILE



- | | |
|---|--|
| 1. GRIFF | 13. BETRIEBSANZEIGE |
| 2. EQ-TASTE | 14. PAUSE / WIEDERGABE /
BLUETOOTH AUS |
| 3. ABSTIMMEN AUFWÄRTS | 15. QUELLE |
| 4. ECHO VERRINGERN | 16. ABSTIMMEN ABWÄRTS |
| 5. WIEDERHOLUNGSTASTE | 17. BALDRIC-TRAGEGURT |
| 6. ECHO ANHEBEN | 18. UKW-ANTENNE |
| 7. MIKROFONLAUTSTÄRKE
ANHEBEN | 19. USB-PORT |
| 8. MIKROFONLAUTSTÄRKE
VERRINGERN | 20. LINE-IN |
| 9. BATTERIEANZEIGE | 21. MIKROFONBUCHSE |
| 10. TASTE LAUTSTÄRKEPEGEL
ANHEBEN | 22. GLEICHSPANNUNGSEINGANG
(15 V/1,0 A)  |
| 11. BLUETOOTH-LED | 23. EIN/AUS-SCHALTER |
| 12. TASTE LAUTSTÄRKEPEGEL
VERRINGERN | 24. SCHULTERGURT |

SICHERHEITSANWEISUNGEN

Lesen Sie sich bitte alle Informationen dieser Sicherheitsanweisungen gründlich durch, um das ordnungsgemäße Funktionieren des Produkts zu gewährleisten und sowohl der Brand- als auch Schockgefahr vorzubeugen.

 <p>Der Blitz mit Pfeilspitze im gleichseitigen Dreieck dient dazu, dem Anwender auf die Anwesenheit von unisolierter „gefährlicher Spannung“ innerhalb des Geräts und der damit verbundenen erhöhten Stromschlaggefahr hinzuweisen.</p>	<p style="text-align: center;">ACHTUNG STROMSCHLAGEGEFAHR NICHT ÖFFNEN</p> <p>WARNUNG: ENTFERNEN SIE NIEMALS DIE ABDECKUNGEN (BZW. DAS RÜCKTEIL), UM DAS RISIKO EINES STROMSCHLAGES ZU MINIMIEREN. ES BEFINDEN SICH KEINE VOM NUTZER ZU WARTENDEN TEILE IM INNEREN. LASSEN SIE DAS GERÄT DURCH QUALIFIZIERTES FACHPERSONAL WARTEN.</p>	 <p>Das Ausrufezeichen im gleichseitigen Dreieck weist den Benutzer auf das Gerät betreffende wichtige Bedien-, Wartungs- und Instandhaltungshinweisen in dieser Bedienungsanleitung hin.</p>
---	--	--

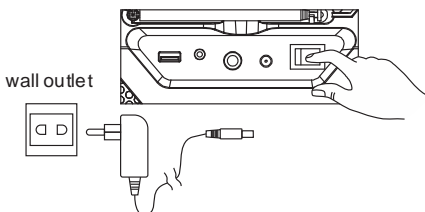
AUSPACKEN:

Überprüfen Sie, ob sich alle nachstehend aufgeführten Teile in der Verpackung befinden.

- Hauptgerät
- AC-Netzadapter
- Bedienungsanleitung
- Schultergurt

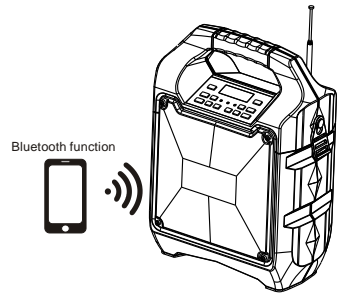
ANSCHLUSS AN DAS STROMNETZ

- Nehmen Sie das Gerät aus der Verpackung. Achten Sie darauf, dass sich der EIN/AUS-Schalter auf der Position „OFF“ befindet.
- Verbinden Sie den AC-Netzadapter mit dem Gerät und stecken Sie anschließend den Netzstecker in eine Netzsteckdose.



BLUETOOTH-VERBINDUNG

- Wenn Sie den EIN/AUS-Schalter auf die Position „On“ stellen, dann wechselt das Gerät standardmäßig in den Bluetooth-Modus „BT“.
- Im Kopplungsmodus blinkt die blaue LED-Anzeige. Auf dem roten LED-Display wird „bt“ (Bluetooth) angezeigt.
- Aktivieren Sie nun das Bluetooth Ihres Mobilgeräts, suchen Sie nach dem Gerät „Lenco PA-30“ und verbinden Sie sich mit ihm.
- Es ertönt ein Erfolgreich-verbunden-Sound. Die blaue Bluetooth-LED hört auf zu blinken und leuchtet konstant.
- Die Bluetooth-Verbindung wurde erfolgreich hergestellt.
- Wählen Sie nun die wiederzugebende Musik auf Ihrem Bluetooth-Gerät aus und beginnen Sie mit der Wiedergabe.
- Halten Sie die Taste BLUETOOTH AUS gedrückt, um die Verbindung zu trennen und wieder in den Kopplungsmodus zu wechseln.

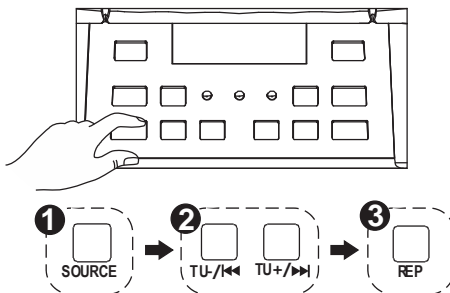


UKW-Radio

- Drücken Sie die Taste „Source“ und wählen Sie das Radio aus. Auf dem roten LED-Display wird die UKW-Frequenz angezeigt.
- Drücken Sie die Taste Pause/Play, um den automatischen Sendersuchlauf zu starten und die Sender zu speichern.
- Halten Sie die Taste TU ◀◀ oder TU ▶▶ gedrückt, um den nächsten/vorherigen Radiosender auszuwählen. Drücken Sie für eine Feinabstimmung diese Tasten kurz.

USB-PORT

- Drücken Sie die Taste „Source“ und wählen Sie USB aus. Auf dem roten LED-Display wird USB angezeigt.
- Stecken Sie einen USB-Stick in den USB-Port.
- Wählen Sie durch Drücken der Taste TU ◀◀ oder TU ▶▶ Ihre bevorzugte Musik aus.
- Drücken Sie „REPEAT“ einmal, um den aktuell ausgewählten Titel wiederholt wiederzugeben.
- Drücken Sie „REPEAT“ ein zweites Mal, um alle Titel wiederholt wiederzugeben.
- Drücken Sie für eine zufällige Wiedergabereihenfolge der Titel „REPEAT“ ein drittes Mal.
- Ein weiteres Drücken von „REPEAT“ deaktiviert die wiederholte Wiedergabe.

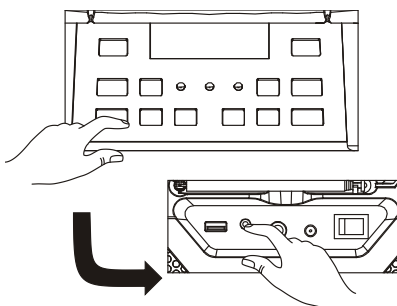


Wenn Sie einen USB-Stick in den USB-Port stecken, wechselt das Gerät automatisch in den USB-Modus.

Wichtig: Der USB-Port ist nur für eine Datenübertragung vorgesehen. Andere Geräte können über diese USB-Verbindung nicht genutzt werden. Die Verwendung von USB-Verlängerungskabeln ist nicht empfehlenswert.

LINE-IN

- Drücken Sie die Taste „Source“ und wählen Sie LINE aus. Auf dem roten LED-Display wird LINE angezeigt.
- Wenn Sie ein 3,5 mm Klinkenkabel in die LINE-Eingangsbuchse auf der Geräterückseite stecken, wechselt das Gerät automatisch in den LINE-IN-Modus.
- Sie können jedes Audio-Wiedergabegerät anschließen, das einen 3,5 mm Audioausgang besitzt und über das angeschlossene Wiedergabegerät jedes beliebige Audio wiedergeben lassen.



AUFLADEN

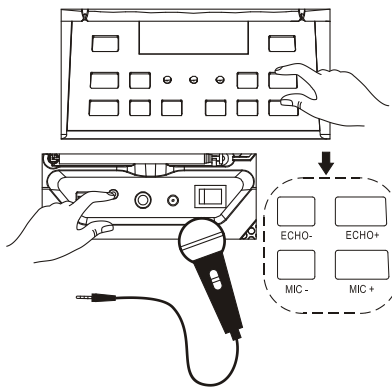
- Das Gerät ist mit einer Batterie-Unterspannungsanzeige ausgestattet.
- Wenn die LED der Batterieanzeige blinkt, bedeutet dies, dass die Batterieladung gering ist und die Batterie aufgeladen werden muss.
- Wenn Sie das Gerät an das Stromnetz anschließen, dann leuchtet diese LED rot, wodurch angezeigt wird, dass das Gerät die Batterie auflädt.
- Wenn diese LED grün leuchtet, dann bedeutet dies, dass die Batterie vollständig aufgeladen ist.

Es wird empfohlen, die Batterie vor der Erstbenutzung ca. 6 Stunden aufzuladen.

Achtung: Für eine möglichst lange Lebensdauer der Batterie wird dem Benutzer angeraten, jedes Mal nach der Benutzung und vor der Einlagerung zu überprüfen, ob der EIN/AUS-Schalter auf der Geräterückseite auf „OFF“ steht. Weiterhin ist es höchst ratsam, die Batterie mindestens alle 2 Monate einmal vollständig aufzuladen.

SINGEN SIE EIN LIED

- Das Gerät ermöglicht Ihnen, den Titel mitzusingen, der gerade über Bluetooth, USB oder LINE-IN wiedergegeben wird.
- Stecken Sie Ihr Mikrophonkabel in die sich seitlich am Gerät befindliche Buche „MIC“.
- Regeln Sie die Mikrophonlautstärke über „MIC+/MIC-“ oder die Wiedergabelautstärke über die Lautstärkereger, die sich beim oberen Bedienfeld befinden.
- Regeln Sie den Echopegel über „ECHO+/ECHO-“.
- Nun können Sie Ihre Lieblingstitel mitsingen.



WARNUNG: – Wenn der Mikrophon- und Echopegel sehr hoch oder auf das Maximum eingestellt ist, kann es zu hohen Rückkopplungstönen kommen.

SOUNDEFFEKTE

- Ihr „PA-30“ ist mit einem internen Equalizer ausgestattet.
- Drücken Sie die EQ-Taste und wählen Sie danach aus einen der voreingestellten Soundkonfigurationen aus: FLAT (linear flach), CLASSIC (Klassik), POP, ROCK und JAZZ.

PROBLEMLÖSUNGEN

Allgemeines

Kein Strom

- Überprüfen Sie, ob der AC-Netzadapter ordnungsgemäß sowohl am Gerät als auch an der Netzsteckdose angeschlossen ist.
- Überprüfen Sie, ob sich der EIN/AUS-Schalter in der Position „ON“ befindet.
- Wenn die Batteriespannung ungenügend ist, dann schließen Sie den AC-Netzadapter an, um die Batterie aufzuladen und das Gerät zu bedienen.

Tasten reagieren nicht

- Schalten Sie den EIN/AUS-Schalter auf die Position „OFF“. Warten Sie eine Minute lang und schalten Sie ihn wieder auf die Position „ON“, um das Gerät zurückzusetzen.
- Trennen Sie den AC-Adapter vom Netz und schließen Sie ihn anschließend erneut an.

Kein Sound

- Kontrollieren Sie, ob sich der LINE-OUT-Pegel des angeschlossenen Geräts auf einem angemessenen Niveau befindet.
- Kontrollieren Sie, ob das verbundene Bluetooth-Gerät das Audio über Bluetooth wiedergibt.
- Kontrollieren Sie, ob sich der Bluetooth-Audiopegel des angeschlossenen Geräts auf einem angemessenen Niveau befindet.

Bei der Verwendung von Bluetooth

Die Audioqualität ist schlecht

- Der Bluetooth-Empfang ist schlecht. Bewegen Sie das Bluetooth-Gerät näher an den Lautsprecher heran.

Das Bluetooth-Gerät kann nicht gekoppelt werden

- Stellen Sie sicher, dass weder Bluetooth-Gerät noch Lautsprecher mit einem anderen Bluetooth-Gerät verbunden ist.
- Überprüfen Sie, ob die blaue LED des Lautsprechers schnell blinkt (Kopplungsmodus).
- Schalten Sie den EIN/AUS-Schalter auf die Position „OFF“ und anschließend wieder auf „ON“. Halten Sie die Taste BLUETOOTH OFF 2 Sekunden lang gedrückt, um in den Kopplungsmodus zu wechseln.

TECHNISCHE DATEN

Allgemeines

Eingangsquellen:	Bluetooth / LINE / UKW / USB
Leistungsaufnahme	20 W
Bluetooth-Reichweite:	10 m (33 Fuß)
LINE IN:	3,5 mm
USB-Wiedergabe:	Full Speed 2.0
Bedientasten:	EIN/AUS, Quelle, Bluetooth koppeln, Lautstärke anheben/verringern, EQ, Mikrofon (ECHO-/ECHO+), wiederholte Wiedergabe
LED-Anzeigen:	Betrieb (1 x rote LED) Bluetooth (1 x blaue LED) Batterie (1 x rote LED, 1 x grüne LED)
Batterie:	Ja: 12 V/2600 mAh
Stromquelle	Gleichspannung 15 V $\overline{=}$ / 1,0 A
Radiofrequenzbereich:	UKW 87,5 – 108 MHz
Lautsprecherausgangsleistung:	25 W (RMS)
Abmessung der Lautsprechertreiber:	5" (Subwoofer)
Lautsprecherabdeckgitter:	Lautsprecherabdeckgitter aus Metall
Vollbereich:	Ja
Rauschabstand:	> 50 dB
Gehäusematerial:	Kunststoff
Abmessung (B x H x T):	135 x 260 x 350 (mm)
Gewicht (kg)	3,05 kg
Bluetooth	
Bluetooth-Version	3.0 + EDR
Bluetooth-Profile	A2DP, AVRCP
Bluetooth-Frequenzband:	2,402 GHz – 2,480 GHz
Bluetooth-Reichweite:	10 Meter

Über geschlossene Blei-Gel-Akkus:

Das Gerät kann über ein Batteriepack (Modell-Nr.: Tianchang 6-FM-2.6, 12 V, 2600 mAh) betrieben werden. Ziehen Sie den AC-Netzadapter aus der Gleichspannungsversorgungsbuchse, wird das Gerät über Batterie (nach vollständiger Aufladung) betrieben. Wenn Sie während des Batteriebetriebes den AC-Netzadapter wieder anschließen, wird das Aufladen dieser Batterie eingeleitet. Die rote Batterieanzeige-LED leuchtet, wenn die Batterie aufgeladen wird. Die grüne Batterieanzeige-LED leuchtet, wenn die Batterie vollständig aufgeladen ist. Das vollständige Aufladen einer vollständig entleerten Batterie dauert ca. 8 Stunden. Mit einer vollständig aufgeladenen Batterie kann bei 50 % der Lautstärke ca. 10 Stunden lang kontinuierlich Musik wiedergegeben werden. Diese Wiedergabezeit variiert jedoch durch Umgebungsbedingungen, den Lautstärkepegel und dem Batteriezustand. Es wird

angeraten, erst 10 – 20 Minuten mit dem Beginn des Aufladens zu warten, wenn die Batterie während des Betriebs vollständig entladen wurde.

Es besteht Explosionsgefahr, wenn die Batterien nicht korrekt eingelegt werden.

Energie sparen:

Um Energie zu sparen, wechselt der PA-30 automatisch in den Standby-Modus, wenn für 20 Minuten keine Musik empfangen wurde. Schalten Sie den EIN/AUS-Schalter auf die Position „OFF“, warten Sie einige Sekunden und schalten Sie anschließend diesen Schalter wieder auf „ON“, um den Lautsprecher wieder in Betrieb zu nehmen.

Dieses Produkt arbeitet im Frequenzbereich von 2400 bis 2483,5 MHz und darf nur in einer normalen häuslichen Umgebung verwendet werden. Es ist für die Verwendung in allen EU-Ländern geeignet.

Garantie

Lenco bietet Leistungen und Garantien im Einklang mit Europäischem Recht. Im Falle von Reparaturen (sowohl während als auch nach Ablauf der Garantiezeit) sollten Sie deshalb Ihren Einzelhändler kontaktieren.

Wichtiger Hinweis: Es ist nicht möglich, Geräte für Reparaturen direkt an Lenco zu schicken.

Wichtiger Hinweis: Falls dieses Gerät von einem nicht autorisierten Kundendienst geöffnet oder darauf zugegriffen wird, erlischt die Garantie.

Dieses Gerät ist nicht für professionelle Zwecke geeignet. Falls das Gerät für professionelle Zwecke eingesetzt wird, erlöschen alle Garantieverpflichtungen seitens des Herstellers.

Haftungsausschluss

Aktualisierungen der Firmware und/oder Hardware-Komponenten werden regelmäßig durchgeführt. Daher können einige der Anweisungen, Spezifikationen und Abbildungen in dieser Dokumentation von Ihrer individuellen Situation abweichen. Alle in diesem Handbuch beschriebenen Elemente dienen nur zur Illustration und treffen auf Ihre individuelle Situation möglicherweise nicht zu. Aus der in diesem Handbuch getätigten Beschreibung können keine Rechtsansprüche oder Leistungsanforderungen geltend gemacht werden.

Entsorgung des Altgeräts



Dieses Symbol zeigt an, dass das entsprechende Produkt oder dessen Batterie in Europa nicht mit dem normalen Hausmüll entsorgt werden darf. Um die ordnungsgemäße Abfallbehandlung des Produkts und dessen Batterie zu gewährleisten, müssen diese im Einklang mit allen anwendbaren örtlichen Vorschriften zur Entsorgung von Elektrogeräten und Batterien entsorgt werden. Dabei helfen Sie, natürliche Ressourcen zu schonen und Umweltschutzstandards zur Verwertung und Entsorgung von Altgeräten aufrecht zu halten (Waste Electrical and Electronic Equipment Directive).

Service

Besuchen Sie bitte für weitere Informationen und unseren Kundendienst unsere Homepage www.lenco.com

Lenco Benelux BV, Thermiekstraat 1a, 6361 HB, Die Niederlande.

Cher client,

Nous vous remercions pour votre achat du produit Lenco. La qualité et la facilité d'utilisation sont nos priorités. Afin que vous puissiez profiter pleinement de cet appareil, nous l'avons fabriqué avec des normes de qualité, des matériaux, des composants et un soin supérieurs.

Précautions d'emploi

À lire attentivement avant utilisation



ATTENTION : RISQUE D'ÉLECTROCUTION, NE PAS OUVRIR



ATTENTION : POUR ÉVITER TOUTE DÉCHARGE ÉLECTRIQUE, NE RETIREZ AUCUNE VIS DU COUVERCLE. AUCUNE PIÈCE CONTENUE À L'INTÉRIEUR NE PEUT ÊTRE RÉPARÉE PAR L'UTILISATEUR. DEMANDEZ À UN TECHNICIEN QUALIFIÉ D'EFFECTUER LES RÉPARATIONS.

ATTENTION :

L'utilisation de commandes ou de réglages ou l'exécution de procédures autres que ceux spécifiés dans ce manuel peut entraîner une exposition à des rayonnements dangereux.

Cet appareil ne doit pas être réglé ou réparé par quiconque d'autre qu'un personnel qualifié.

PRÉCAUTIONS AVANT UTILISATION**GARDEZ CES INSTRUCTIONS À L'ESPRIT :**

1. N'utilisez pas cet appareil près de l'eau.
2. Nettoyez-le uniquement avec un chiffon doux légèrement humide.
3. Ne couvrez pas et n'obturez pas les ouvertures de ventilation. Lorsque vous placez l'appareil sur une étagère, laissez 5 cm (2 pouces) d'espace libre tout autour de l'appareil.
4. Installez-le conformément au mode d'emploi fourni.
5. Ne marchez pas sur l'adaptateur secteur ou ne le coincez pas. Faites très attention, en particulier près des fiches et du point de sortie du câble. Ne placez pas d'objets lourds sur l'adaptateur secteur, car ils pourraient l'endommager. Gardez l'appareil hors de portée des enfants ! Ils pourraient se blesser gravement s'ils jouent avec le câble d'alimentation.

6. Débranchez cet appareil pendant les orages ou lorsqu'il n'est pas utilisé pendant une longue durée.
7. Gardez l'appareil à l'écart des sources de chaleur telles que des radiateurs, chauffages, fours, bougies et autres produits générant de la chaleur.
8. Évitez d'utiliser l'appareil à proximité de champs magnétiques puissants.
9. Des décharges électrostatiques peuvent perturber le fonctionnement normal de cet appareil. Quand cela se produit, il suffit de réinitialiser et de redémarrer l'appareil en suivant le mode d'emploi. Pendant un transfert de fichier, manipulez l'appareil avec précaution et faites-le fonctionner dans un environnement sans électricité statique.
10. Mise en garde ! N'introduisez jamais un objet dans l'appareil par les ouvertures et les fentes de ventilation. Étant donné que des tensions élevées sont présentes à l'intérieur du produit, l'insertion un objet peut entraîner une électrocution et/ou court-circuiter les composants internes. Pour les mêmes raisons, ne versez pas de l'eau ou un liquide sur le produit.
11. Ne l'utilisez pas dans des endroits humides tels qu'une salle de bain, une cuisine pleine de vapeur ou à proximité d'une piscine.
12. N'utilisez pas cet appareil lorsque de la condensation est possible.
13. Bien que ce dispositif soit fabriqué avec le plus grand soin et contrôlé à plusieurs reprises avant de quitter l'usine, il est toujours possible que des problèmes se produisent, comme avec tous les appareils électriques. Si l'appareil émet de la fumée, une accumulation de chaleur excessive ou un phénomène inattendu, débranchez immédiatement la fiche d'alimentation du secteur.
14. Une ventilation suffisante de l'appareil doit être toujours assurée !
15. Cet appareil doit fonctionner avec la source d'alimentation indiquée sur la plaque signalétique. Si vous n'êtes pas sûr du type d'alimentation utilisé chez vous, consultez votre revendeur ou le fournisseur d'électricité local.
16. La prise secteur doit être installée près de l'appareil et doit être facilement accessible.
17. Ne surchargez pas les prises secteur ou les prolongateurs. Une surcharge peut entraîner un incendie ou une électrocution.
18. Les appareils à la norme de construction de classe 1 doivent être branchés à une prise de courant disposant d'une connexion protectrice à la terre.
19. Les appareils à la norme de construction de classe 2 ne nécessitent pas de connexion à la terre.
20. Tenez-le à l'abri des rongeurs. Les rongeurs adorent mordre les cordons d'alimentation.
21. Tirez toujours sur la fiche pour débrancher le cordon de la prise secteur. Ne tirez pas sur le cordon d'alimentation. Cela pourrait provoquer un court-circuit.
22. Évitez de placer l'appareil sur des surfaces sujettes aux vibrations ou aux chocs.
23. Pour protéger l'appareil en cas d'orage, débranchez le cordon d'alimentation secteur.

24. Si l'appareil n'est pas utilisé pendant une période prolongée, débranchez l'adaptateur du secteur pour des raisons de sécurité.
25. Pour nettoyer l'appareil, servez-vous d'un chiffon doux et sec. N'utilisez pas de solvant ni d'autre liquide à base de pétrole. Pour enlever les taches importantes, vous pouvez vous servir d'un chiffon humide imbibé d'une solution de détergent diluée.
26. Le fournisseur n'est pas responsable des dommages ou pertes de données causés par un dysfonctionnement, une utilisation abusive, une modification de l'appareil ou un remplacement des piles.
27. N'interrompez pas la connexion lorsque l'appareil formate ou transfère des fichiers. Sinon, les données pourraient être endommagées ou perdues.
28. La clé USB doit être branchée directement sur l'appareil. N'utilisez pas un câble d'extension USB, car cela peut causer des interférences entraînant des pertes de données.
29. L'appareil ne doit pas être exposé à des écoulements ou des éclaboussures et aucun objet contenant un liquide, tel qu'un vase, ne doit être posé sur ou près de l'appareil.
30. Pour que l'alimentation soit parfaitement déconnectée, la fiche d'alimentation de l'appareil doit être débranchée de la prise secteur.
31. La fiche de l'appareil ne doit pas être obstruée ou doit être facilement accessible pendant l'utilisation.
32. Les batterie ne doit pas être exposée à une chaleur excessive telle que la lumière du soleil, des flammes, etc.
33. Laissez un espace de 10 cm tout autour de l'appareil pour assurer une ventilation suffisante.
34. L'aération ne doit pas être bloquée en obstruant les orifices d'aération avec des objets tels que des journaux, des nappes, des rideaux, etc.
35. Ne posez pas de source de flamme nue, telle qu'une bougie allumée, sur l'appareil.
36. Veuillez prendre en considération les aspects environnementales lors de la mise au rebut de la batterie.
37. L'appareil doit être utilisé uniquement sous des conditions climatiques modérées, évitez un environnement extrêmement froid ou chaud.
38. La plaque signalétique se situe sous l'appareil.
39. Cet appareil n'est pas destiné à être utilisé par des personnes (enfants compris) souffrant de handicaps physiques, sensoriels ou mentaux, ou manquant d'expérience et de connaissances, sauf si elles sont sous surveillance ou ont reçu des instructions sur l'utilisation correcte de l'appareil par la personne qui est responsable de leur sécurité.
40. Cet appareil est réservé à un usage privé, et non pas à un usage commercial ni industriel.
41. Vérifiez que l'appareil est en position stable. La garantie ne couvre pas les dégâts occasionnés par l'utilisation de cet appareil en position instable ou par la

non-observation de tout autre avertissement ou précaution contenus dans ce mode d'emploi.

42. Ne retirez jamais le boîtier de l'appareil.
43. Ne placez jamais cet appareil sur un autre appareil électrique.
44. N'utilisez et ne rangez pas ce produit au soleil, à la chaleur, à la poussière ou à des vibrations excessives.
45. N'utilisez pas d'eau ou d'autres liquides pour nettoyer ce produit.
46. Ne bloquez ni ne recouvrez les fentes et orifices de ce produit.
47. N'insérez pas de corps étrangers dans les fentes ni dans les trous du produit.
48. Ne laissez pas les sacs en plastique à la portée des enfants.
49. Vérifiez que la tension figurant sur la plaque signalétique de votre appareil correspond à celle de votre secteur (la plaque signalétique se situe à l'arrière de l'appareil).
50. Protégez le cordon d'alimentation (personne ne doit marcher dessus et il ne doit pas être pincé en particulier au niveau des prises), les prises de courant et le point où les prises sortent de l'appareil.
51. Utilisez uniquement les accessoires recommandés par le fabricant.
52. Confiez l'entretien et les réparations à un personnel qualifié. Une réparation est nécessaire lorsque l'appareil a été endommagé d'une quelconque façon telle qu'un cordon d'alimentation ou une prise endommagés, lorsqu'un liquide a été renversé ou des objets ont été introduits dans l'appareil, lorsque l'appareil a été exposé à la pluie ou à l'humidité, lorsqu'il ne fonctionne pas correctement ou lorsque l'appareil est tombé.
53. N'utilisez pas un cordon ou une fiche d'alimentation endommagé ni une prise desserrée. Vous risqueriez de causer un incendie ou une décharge électrique.



Avertissement : Une exposition prolongée à des volumes sonores élevés de lecteurs audio peut causer une perte auditive temporaire ou définitive.

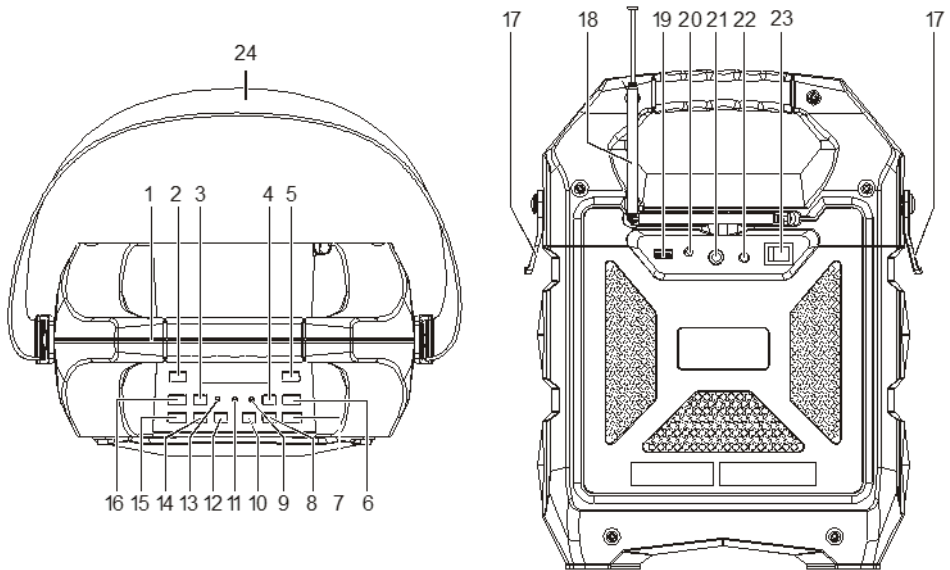


La clé USB doit être branchée directement sur l'appareil. N'utilisez pas un câble d'extension USB, car cela peut causer des interférences entraînant des pertes de données.

INSTALLATION

- Déballez toutes les pièces et enlevez le matériau de protection.
- Ne connectez pas l'unité au secteur avant d'avoir vérifié la tension du secteur et avant que toutes les autres connexions n'aient été effectuées.
- Ne couvrez pas les orifices de ventilation et assurez-vous qu'un espace de plusieurs centimètres est présent autour de l'appareil aux fins de l'aération.

DESCRIPTION DES PIÈCES



- | | |
|-----------------------|---|
| 1. POIGNÉE | 13. TÉMOIN D'ALIMENTATION |
| 2. TOUCHE ÉGALISEUR | 14. PAUSE/LECTURE/BT DESACTIVE |
| 3. RÉGLAGE + | 15. SOURCE |
| 4. ÉCHO - | 16. RÉGLAGE - |
| 5. TOUCHE RÉPÉTITION | 17. ATTACHE DE BAUDRIER |
| 6. ÉCHO + | 18. ANTENNE FM |
| 7. VOLUME MICRO + | 19. PORT USB |
| 8. VOLUME MICRO - | 20. ENTRÉE DE LIGNE |
| 9. VOYANT DE BATTERIE | 21. PRISE MICRO |
| 10. TOUCHE VOLUME + | 22. ENTRÉE CC (15V 1,0A) \ominus \oplus |
| 11. VOYANT BLUETOOTH | 23. INTERRUPTEUR MARCHÉ/ARRÊT |
| 12. TOUCHE VOLUME - | 24. BANDOULIÈRE |

PRÉCAUTIONS D'EMPLOI

Afin d'assurer le bon fonctionnement de l'appareil et d'éviter un risque d'incendie ou d'électrocution, veuillez lire attentivement toutes les informations figurant dans ces précautions d'emploi.



Le symbole d'éclair avec une flèche dans un triangle équilatéral vous indique la présence d'une « tension dangereuse » non isolée dans le boîtier de ce produit qui pourrait être suffisamment forte pour constituer un risque de décharge électrique pour les personnes.

ATTENTION
RISQUE DE DÉCHARGE
ÉLECTRIQUE
NE PAS OUVRIR

AVERTISSEMENT : AFIN DE RÉDUIRE LES RISQUES DE CHOC ÉLECTRIQUE, NE RETIREZ PAS LE COFFRAGE (À L'ARRIÈRE). NE CONTIENT AUCUNE PIÈCE RÉPARABLE PAR L'UTILISATEUR. CONFIEZ TOUTE RÉPARATION À UN PERSONNEL QUALIFIÉ.



Le point d'exclamation dans un triangle équilatéral a pour objectif d'avertir l'utilisateur de la présence d'instructions importantes de fonctionnement et d'entretien (réparation) dans les textes accompagnant l'appareil.

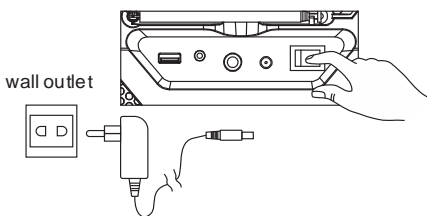
DÉBALLAGE :

Vérifiez que les éléments suivants sont présents dans la boîte.

- Appareil principal
- Adaptateur secteur
- Mode d'emploi
- Bandoulière

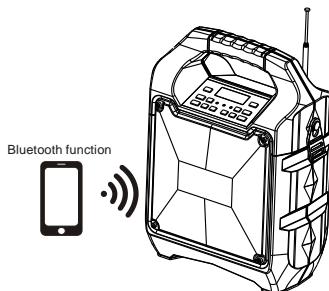
CONNEXION ÉLECTRIQUE

- Déballez ce produit et vérifiez que l'interrupteur marche/arrêt est réglé sur « OFF ».
- Branchez l'adaptateur secteur fourni à cet appareil et à une prise secteur.



CONNEXION BLUETOOTH

- Après que l'interrupteur marche/arrêt est réglé sur « ON », l'appareil passe en mode Bluetooth « BT » par défaut
- Le témoin à LED bleu clignote en mode d'appariement. L'écran à LED rouge affiche « bt »
- Activez la fonction Bluetooth sur votre appareil et recherchez « Lenco PA-30 », puis appuyez dessus pour vous connecter.
- Vous entendrez un signal sonore indiquant la connexion et le voyant à LED de connexion bleu cessera de clignoter et restera allumé.
- La connexion Bluetooth est établie.
- Sélectionnez la musique à partir de votre appareil Bluetooth et lancez la lecture.
- Maintenez la touche BT OFF enfoncée pour déconnecter l'appareil apparié et passer en mode d'appariement.

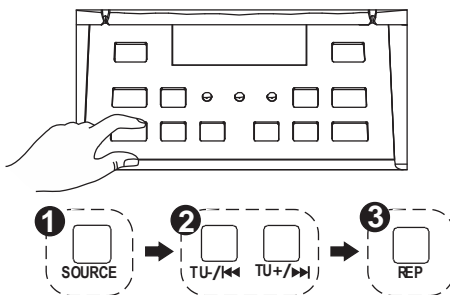


Radio FM

- Appuyez sur le bouton « Source » et sélectionnez Radio, puis FM Radio Frequency (la fréquence radio FM) s'affiche sur l'écran à LED rouge.
- Appuyez sur la touche lecture/pause pour lancer une recherche automatique et mémoriser les stations trouvées.
- Maintenez les boutons TU ◀◀ ou TU ▶▶ enfoncés pour choisir la prochaine station disponible mémorisée. Appuyez brièvement dessus pour faire un réglage fin.

PORT USB

- Appuyez sur le bouton « Source » et sélectionnez USB. USB s'affichera sur l'écran à LED rouge.
- Insérez la clé USB.
- Sélectionnez votre musique favorite en appuyant sur TU ◀◀ ou TU ▶▶.
- Appuyez une fois sur « REPEAT » pour répéter la chanson actuellement sélectionnée.
- Appuyez sur « REPEAT » une 2^e fois pour répéter toutes les chansons.
- Appuyez sur « REPEAT » une 3^e fois pour choisir la lecture aléatoire.
- Appuyez sur « REPEAT » à nouveau pour désactiver la répétition.



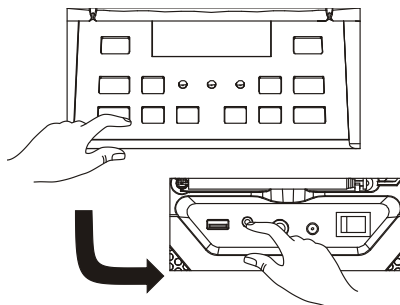
L'appareil basculera automatiquement en mode USB dès l'insertion d'une clé

USB.

Important : Le port USB est conçu pour un transfert de données uniquement. Les autres appareils ne peuvent pas être utilisés avec cette connexion USB. Il est déconseillé d'utiliser des rallonges USB.

ENTRÉE DE LIGNE

- Appuyez sur le bouton « Source » et sélectionnez LINE. LINE s'affichera sur l'écran à LED rouge.
- Branchez votre câble de 3,5 mm sur la prise d'entrée LINE sur le panneau arrière et l'appareil passera en mode LINE IN (entrée de ligne).
- Vous pouvez brancher n'importe quel lecteur audio muni d'une prise de sortie audio de 3,5 mm et lire n'importe quel son à partir de l'appareil connecté.



CHARGE

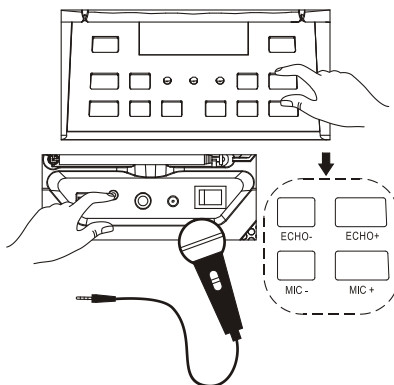
- L'appareil donne une alerte par voyant de batterie.
- Si la LED de batterie clignote, cela signifie que le niveau de la batterie est faible et une charge est nécessaire.
- Quand vous connectez l'alimentation secteur, la LED de batterie devient rouge, ce qui signifie que l'appareil est en charge.
- Si la LED de batterie devient verte, cela signifie que la batterie est complètement chargée.

Il est recommandé de charger la batterie pendant environ 6 heures avant la première utilisation de l'appareil.

Attention : Afin de préserver la batterie rechargeable, les utilisateurs doivent inspecter l'appareil et veiller à régler l'interrupteur marche/arrêt situé sur le panneau arrière sur « OFF » après chaque utilisation et avant chaque rangement. De plus, il est fortement recommandé aux utilisateurs de charger entièrement la batterie au moins une fois tous les deux mois.

CHANTER UNE CHANSON

- Ce produit vous permet de chanter avec des chansons qui sont lues en mode BT, USB ou LINE IN.
- Branchez le câble de votre microphone dans la prise marquée « MIC » sur le panneau latéral.
- Réglez le volume du micro avec « MIC +/MIC - » ou avec le volume principal sur le panneau de commande supérieur.
- Réglez le niveau d'écho « ECHO +/ECHO - ».
- Commencez à chanter



AVERTISSEMENT : - Si le volume du micro et le niveau de l'écho sont réglés

trop haut ou au maximum, faites attention avec les aigus qui font écho.

EFFETS SONORES

- « PA-30 » a un égaliseur intégré
- Appuyez dessus et sélectionnez un effet sonore préréglé pour votre musique : FLAT (bémol), CLASSIC (classique), POP, ROCK et JAZZ

DÉPANNAGE

Caractéristiques Générales

Pas d'alimentation

- Vérifiez que l'adaptateur CA est branché correctement à l'appareil et à la prise secteur.
- Vérifiez que l'interrupteur marche/arrêt est réglé en position ON.
- Si la batterie est vide, branchez l'adaptateur CA pour la charge et l'utilisation.

Les touches ne répondent pas

- Réglez l'interrupteur marche/arrêt sur OFF, attendez une minute puis remettez-le sur ON pour réinitialiser l'appareil.
- Débranchez puis rebranchez l'adaptateur CA.

Aucun son audible

- Vérifiez que le volume connecté par LINE est réglé à un niveau raisonnable.
- Vérifiez que l'appareil connecté Bluetooth émet l'audio par la sortie BT.
- Vérifiez que le volume de l'appareil connecté par Bluetooth est réglé à un niveau raisonnable.

Fonctionnement par Bluetooth

La qualité audio est mauvaise


- La réception Bluetooth est mauvaise. Rapprochez l'appareil Bluetooth de l'enceinte.

Appariement de l'appareil Bluetooth impossible

- Vérifiez que l'appareil Bluetooth et l'enceinte ne sont pas connectés à un autre appareil Bluetooth.
- Vérifiez que la LED bleue sur l'enceinte clignote rapidement (mode appariement).
- Réglez l'interrupteur marche/arrêt sur OFF, puis sur ON, maintenez enfoncé le bouton BT OFF pendant 2 secondes pour passer en mode d'appariement.

CARACTÉRISTIQUES TECHNIQUES

Caractéristiques Générales

Source d'entrée :	Bluetooth/LIGNE/FM/USB
Puissance consommée :	20 W
Portée Bluetooth :	10 m (33 pieds)
Entrée de ligne :	3,5 mm
Lecture par USB :	2.0 pleine vitesse
Boutons de commande :	Alimentation, source, appariement Bluetooth, volume +/-, égaliseur, micro (écho-/écho+), répétition,
Voyant LED :	Alimentation (LED ROUGE x 1) Bluetooth (LED BLEUE x 1) LED de batterie (LED ROUGE x 1, LED VERTE x 1)
Pile :	Oui : 12 V 2600 mAh
Source d'alimentation :	CC 15V  1,0A
Plage de fréquence :	FM 87,5 à 108 MHz
Puissance de sortie de l'enceinte :	25 W (RMS)
Taille de l'enceinte :	5" (caisson de basses)
Grille de l'enceinte :	Grille d'enceinte métallique
Plage complète :	Oui
N° de série :	> 50 dB
Matériau du caisson :	Plastique
Dimensions (L x H x P) :	135 x 260 x 350 mm
Poids (KG)	3,05 kg
Bluetooth	
Version Bluetooth	3.0 + EDR
Profils Bluetooth	A2DP, AVRCP
Bande de fréquence Bluetooth :	2,402 à 2,480 GHz
Portée Bluetooth :	10 mètres

À propos de la batterie au plomb-acide scellée :

Cet appareil fonctionne sur bloc-batterie (n° du modèle : Tianchang 6-FM-2.6, 12 V, 2600 mAh), débranchez l'adaptateur d'alimentation CA qui est dans la prise d'entrée CC afin de le faire fonctionner sur le bloc-batterie (après une charge complète) ; si l'adaptateur d'alimentation CA est branché pendant que le bloc-batterie est connecté, cela lance la charge de cette batterie. Le témoin à LED de charge est allumé en rouge durant la charge et il est allumé en vert quand la batterie est entièrement chargée. La charge complète d'un bloc-batterie vide peut prendre 8 heures. Un bloc-batterie entièrement chargé peut durer environ 10 heures à 50 % du volume de lecture continue. Cette autonomie de lecture peut varier selon l'environnement, le niveau du volume de l'enceinte et l'état de la batterie. Il est conseillé d'attendre 10 à 20 minutes avant de charger le bloc-batterie s'il s'est vidé pendant le fonctionnement de l'appareil.

Risque d'explosion si la pile est mal remplacée

Économie d'énergie :

Afin d'économiser de l'énergie, l'appareil PA-30 passera automatiquement en mode veille quand aucune musique n'est reçue durant 20 minutes. Pour réactiver l'enceinte, réglez l'interrupteur marche/arrêt sur OFF, attendez quelques secondes et remettez-le sur ON.

Ce produit fonctionne de 2 400 à 2 483,5 MHz et est destiné uniquement à être utilisé dans un environnement domestique normal. Ce produit convient à cet usage pour tous les pays de l'UE.

Garantie

Lenco propose un service et une garantie conformément à la législation européenne, ce qui signifie qu'en cas de besoin de réparation (aussi bien pendant et après la période de garantie), vous pouvez contacter votre revendeur le plus proche.

Remarque importante : Il n'est pas possible de renvoyer l'appareil pour réparation directement à Lenco.

Remarque importante : Si l'unité est ouverte ou modifiée de quelque manière que ce soit par un réparateur non agréé, la garantie serait caduque.

Cet appareil ne convient pas à une utilisation professionnelle. En cas d'utilisation professionnelle, les obligations de garantie du fabricant seront annulées.

Clause de non-responsabilité

Des mises à jour du logiciel et/ou des composants informatiques sont régulièrement effectuées. Il se peut donc que certaines instructions, caractéristiques et images présentes dans ce document diffèrent légèrement de votre configuration spécifique. Tous les articles décrits dans ce guide sont fournis uniquement à des fins d'illustration et peuvent ne pas s'appliquer à une configuration spécifique. Aucun droit légal ne peut être obtenu depuis les informations contenues dans ce manuel.

Mise au rebut de l'appareil usagé



Ce symbole indique que le produit électrique concerné ou la batterie ne doivent pas être jetés parmi les autres déchets ménagers en Europe. Pour garantir un traitement correct du déchet de la batterie ou de l'appareil, veuillez les mettre au rebut conformément aux règlements locaux en vigueur relatifs aux appareils électriques et autres batteries. En agissant de la sorte, vous contribuerez à la préservation des ressources naturelles et à l'amélioration des niveaux de protection environnementale concernant le traitement et la destruction des déchets électriques (directive sur les déchets des équipements électriques et électroniques).

Service après-vente

Pour en savoir plus et obtenir de l'assistance, visitez www.lenco.com
Lenco Benelux BV, Thermiekstraat 1a, 6361 HB, Pays-Bas.

Estimado cliente,

Gracias por comprar este producto de Lenco. La calidad y la utilidad son nuestra prioridad principal. Para que pueda disfrutar plenamente de este producto, lo hemos fabricado cuidadosamente usando normas, materiales y componentes de alta calidad.

Instrucciones de seguridad

Lea detenidamente antes de usar el producto



PRECAUCIÓN - RIESGO DE DESCARGA ELÉCTRICA - NO ABRIR



¡PRECAUCIÓN! PARA EVITAR UNA DESCARGA ELÉCTRICA, RETIRE NINGÚN TORNILLO DE LA TAPA. NO HAY PIEZAS UTILIZABLES POR EL USUARIO EN SU INTERIOR. SOLICITE A UNA PERSONA DE MANTENIMIENTO CUALIFICADA QUE REALICE LAS OPERACIONES DE MANTENIMIENTO.

¡PRECAUCIÓN!

El uso de los controles o ajustes o el funcionamiento de los procedimientos excepto a aquellos especificados aquí pueden provocar una exposición peligrosa a la radiación. Esta unidad no debe ajustarse o repararse por ninguna persona salvo personal de servicio cualificado.

PRECAUCIONES PREVIAS AL USO**TENGA ESTAS INSTRUCCIONES EN MENTE:**

1. No use este dispositivo cerca del agua.
2. Límpielo únicamente con un paño ligeramente humedecido.
3. No cubra o bloquee ninguna apertura de ventilación. Cuando coloque el dispositivo en una estantería, deje 5 cm (2") de espacio libre alrededor de todo el dispositivo.
4. Instálelo conforme al manual de usuario que se adjunta.
5. No pise o pince el adaptador de alimentación. Tenga mucho cuidado, en especial cerca de las tomas y el punto de salida del cable. No coloque objetos pesados en el adaptador de alimentación, ya que pueden dañarlo. ¡Mantenga el dispositivo fuera del alcance de los niños! Si juegan con el cable de alimentación, puede sufrir lesiones graves.
6. Desconecte el dispositivo durante tormentas eléctricas o cuando no vaya a usarse durante periodos prolongados de tiempo.

7. Mantenga el dispositivo alejado de fuentes de calor como radiadores, calentadores, hornos, velas u otros productos que generen calor.
8. Evite usar el dispositivo cerca de campos magnéticos fuertes.
9. Una descarga electrostática puede entorpecer el uso normal de este dispositivo. En tal caso, simplemente reinícielo siguiendo el manual de instrucciones. Durante la transmisión de archivos, por favor manéjelo con cuidado opérelolo en un entorno libre de electricidad estática.
10. ¡Advertencia! Nunca inserte un objeto en el producto a través de las ventilaciones o aperturas. Alto voltaje fluye a través del producto e insertar un objeto puede provocar una descarga eléctrica y/o un cortocircuito de sus componentes internos. Por el mismo motivo, no derrame agua o líquidos en el producto.
11. No lo utilice en zonas húmedas, como cuartos de baño, cocinas en las que se forme vapor ni cerca de piscinas.
12. No use este dispositivo cuando se pueda producir condensación.
13. Aunque este dispositivo está fabricado con el máximo cuidado y comprobado varias veces antes de salir de fábrica, todavía es posible que se puedan producir problemas, al igual que con todos los aparatos eléctricos. Si observa la aparición de humo, una acumulación excesiva de calor o cualquier otro fenómeno inesperado, deberá desconectar inmediatamente el enchufe de la toma de corriente.
14. ¡El dispositivo debe estar bien ventilado en todo momento!
15. Este dispositivo debe funcionar con una fuente de alimentación que se especifica en la etiqueta de especificaciones. Si no está seguro del tipo de alimentación que se usa en su hogar, consulte con el distribuidor o una compañía eléctrica local.
16. La salida de la toma debe instalarse cerca del equipo y debe ser fácilmente accesible.
17. No sobrecargue las tomas CA o los cables de extensión. La sobrecarga puede provocar un incendio o una descarga eléctrica.
18. Los dispositivos con construcción Clase 1 deben estar conectados a una toma de corriente con una conexión a tierra protegida.
19. Los dispositivos con construcción Clase 2 no requieren una conexión a tierra.
20. Manténgalo alejado de los roedores. Los roedores disfrutan mordiendo cables de alimentación.
21. Sujete siempre el enchufe cuando los extraiga de la toma de corriente. No tire del cable de alimentación. Esto puede provocar un cortocircuito.
22. Evite colocar la unidad sobre superficies sometidas a vibraciones o impactos.
23. Para proteger el dispositivo durante una tormenta eléctrica, desconecte el adaptador de alimentación CA.
24. Cuando no se vaya a usar el dispositivo durante periodos prolongados de tiempo, desconecte el adaptador de alimentación CA por motivos de seguridad.
25. Para limpiar el dispositivo use un paño seco y suave. No utilice líquidos disolventes ni con base de petróleo. Para eliminar manchas difíciles, puede usar un paño húmedo con detergente diluido.

26. El proveedor no asume ninguna responsabilidad por daños o datos perdidos provocados por un funcionamiento incorrecto, uso incorrecto, modificación del dispositivo o sustitución de la batería.
27. No interrumpa la conexión cuando el dispositivo esté formateando o transfiriendo archivos. En caso contrario, los datos se pueden estropear o perder.
28. La memoria USB debe conectarse a la unidad directamente. No utilice cables de extensión USB ya que pueden crear interferencias que causen una pérdida de datos.
29. El aparato no debe exponerse a goteos o salpicaduras y asegúrese de que ningún objeto lleno de líquido, como jarrones, se colocan sobre o cerca del aparato.
30. Para desconectar completamente la entrada de alimentación, el enchufe del aparato deberá desconectarse de la alimentación, ya que el dispositivo de desconexión es el enchufe del aparato.
31. El enchufe de alimentación del aparato no debe estar obstruido O se puede acceder al mismo fácilmente durante su uso previsto.
32. La batería no debe exponerse a un calor excesivo, como la luz solar, fuego o similares.
33. Es necesaria una distancia mínima de 10cm alrededor del aparato para una ventilación suficiente.
34. No debe impedirse la ventilación cubriendo las aperturas con objetos como periódicos, manteles, cortinas, etc.
35. No deben colocarse fuentes de llama, como velas encendidas, sobre este aparato.
36. Se debe prestar atención a los aspectos medioambientales sobre la eliminación de baterías.
37. El aparato solo debe usarse en climas moderados o extremadamente fríos y deben evitarse los entornos calurosos.
38. La placa identificativa está marcada en el panel inferior del aparato.
39. Este aparato no está diseñado para su uso por personas (incluyendo niños) con discapacidades físicas, sensoriales o mentales o con falta de experiencia o conocimientos, salvo que estén bajo la supervisión o hayan recibido formación sobre el uso correcto del dispositivo por parte de una persona responsable de su seguridad.
40. Este producto está destinado únicamente al uso doméstico y no al uso comercial ni al industrial.
41. Asegúrese de que la unidad esté fijada en una posición estable. Los daños provocados por utilizar este producto en una posición inestable o por no seguir cualquier otra advertencia o precaución incluida en este manual de usuario no estarán cubiertos por la garantía.
42. No retire nunca la carcasa de este aparato.
43. Nunca coloque el aparato sobre otro equipo eléctrico.
44. No utilice ni guarde el producto en lugares expuestos a la luz solar directa, a altas temperaturas, a la vibración ni en ambientes excesivamente polvorientos.

45. No limpie el producto con agua ni con otros líquidos.
46. No obstruya ni cubra las ranuras u orificios presentes en el producto.
47. No introduzca objetos extraños en las ranuras u orificios presentes en el producto.
48. Mantenga las bolsas de plástico fuera del alcance de los niños.
49. Compruebe que el voltaje en la placa de características del aparato se corresponde con el suministro eléctrico de su hogar (la placa de características se encuentra en la parte posterior de la unidad).
50. Proteja el cable de alimentación para evitar que lo pisen o aplasten, especialmente en los enchufes, tomas de corriente y el lugar en que sale del aparato.
51. Use únicamente los dispositivos/accesorios especificados por el fabricante.
52. Remita todas las reparaciones al personal cualificado. La reparación es necesaria cuando el aparato presente cualquier tipo de daño, como el cable de alimentación o el enchufe, cuando se haya derramado líquido o hayan caído objetos sobre el aparato, o cuando el aparato se haya visto expuesto a la lluvia o humedad, o no funcione normalmente o se haya caído.
53. No utilice un cable de alimentación o enchufe deteriorado o una toma suelta. Si lo hace, podría provocar un incendio o una descarga eléctrica.



Advertencia: La exposición prolongada a sonidos fuertes de reproductores personales de música puede provocar pérdida de audición temporal o permanente.

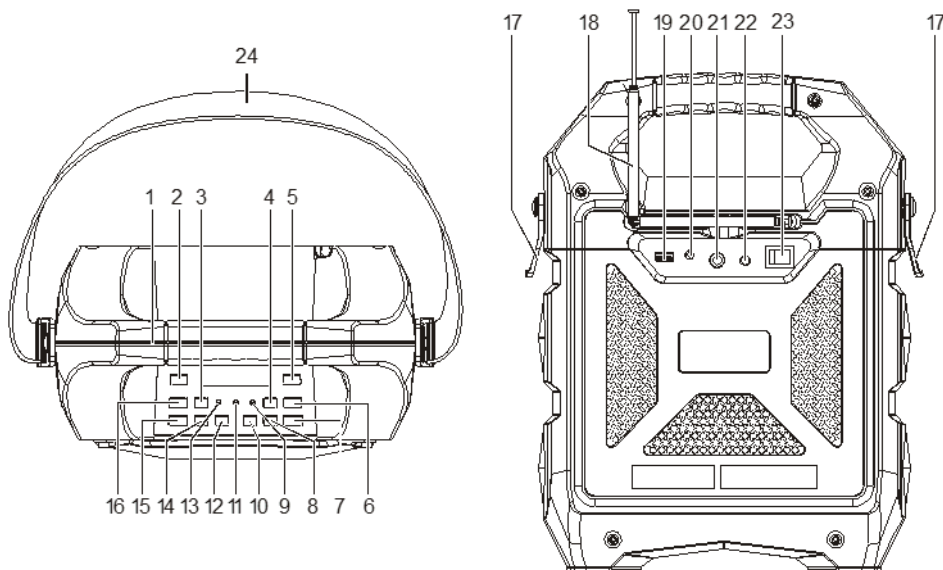


La memoria USB debe conectarse a la unidad directamente. No utilice cables de extensión USB ya que pueden crear interferencias que causen una pérdida de datos.

INSTALACIÓN

- Desembale todas las piezas y retire el material protector.
- No conecte la unidad a la corriente eléctrica antes de comprobar la tensión de la corriente y antes de que se hayan hecho todas las demás conexiones.
- No cubra ninguna ventilación y asegúrese de que hay un espacio de varios centímetros alrededor de la unidad para su ventilación.

DESCRIPCIONES DE LAS PIEZAS



- | | |
|-------------------------------|---|
| 1. ASA | 13. INDICADOR DE ENCENDIDO |
| 2. BOTÓN EQ | 14. PAUSAR/REPRODUCIR/BT APAGADO |
| 3. SINTONIZAR HACIA ARRIBA | 15. FUENTE |
| 4. BAJAR ECO | 16. SINTONIZAR HACIA ABAJO |
| 5. BOTÓN REPETIR | 17. PINZA TAHALÍ |
| 6. SUBIR ECO | 18. ANTENA FM |
| 7. SUBIR VOLUMEN DE MICRÓFONO | 19. PUERTO USB |
| 8. BAJAR VOLUMEN DE MICRÓFONO | 20. ENTRADA DE LÍNEA |
| 9. INDICADOR DE BATERÍA | 21. PUERTO DE MICRÓFONO |
| 10. BOTÓN DE SUBIR VOLUMEN | 22. ENTRADA CC (15 V, 1,0 A) $\ominus \oplus$ |
| 11. INDICADOR BLUETOOTH | 23. BOTÓN DE ENCENDIDO/APAGADO |
| 12. BOTÓN DE BAJAR VOLUMEN | 24. CORREA PARA EL HOMBRO |

INSTRUCCIONES DE SEGURIDAD

Para garantizar el funcionamiento correcto del producto y evitar incendios y riesgos, lea detenidamente toda la información contenida en estas instrucciones de seguridad.



El símbolo del rayo con cabeza de flecha dentro de un triángulo equilátero tiene como finalidad alertar de la presencia de "tensión peligrosa" sin aislar dentro de la carcasa del producto que puede tener una magnitud suficiente como para constituir un riesgo de descarga eléctrica a las personas.

PRECAUCIÓN
RIESGO DE DESCARGA ELÉCTRICA
NO ABRIR

ADVERTENCIA: PARA REDUCIR EL RIESGO DE DESCARGAS ELÉCTRICAS, NO RETIRE LA CUBIERTA (O PANEL TRASERO). NO CONTIENE PIEZAS REPARABLES POR EL USUARIO. REMITA LAS REPARACIONES AL PERSONAL CUALIFICADO.



El signo de exclamación dentro de un triángulo equilátero es para alertar al usuario de la presencia de importantes instrucciones de funcionamiento y mantenimiento (servicio técnico) en la documentación que viene incluida con el aparato.

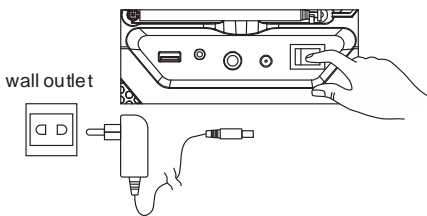
DESEMBALAJE:

Compruebe que la caja contenga los siguientes objetos.

- Unidad principal
- Adaptador de electricidad CA
- Manual del usuario
- Correa para el hombro

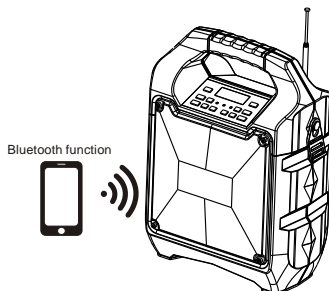
CONEXIÓN DE LA ALIMENTACIÓN

- Desembale el producto y asegúrese de que el interruptor de encendido/apagado esté en "OFF".
- Conecte el adaptador CA incluido a este producto; enchufe el adaptador CA a la toma de pared.



CONEXIÓN BLUETOOTH

- Cuando el interruptor de encendido esté en "On", el modo Bluetooth "BT" se activará de forma predeterminada.
- El indicador LED azul parpadeará en modo de vinculación. La pantalla LED roja mostrará "bt"
- Active la función Bluetooth del dispositivo y busque el "Lenco PA-30", a continuación, púselo para conectarlo.
- Se escuchará una señal acústica cuando se conecte y el indicador LED azul de conexión dejará de parpadear y permanecerá encendido.
- La conexión Bluetooth se ha completado.
- Seleccione la música de su dispositivo Bluetooth y empiece a reproducirla.
- Mantenga pulsada la tecla BT OFF para desconectar el dispositivo vinculado y acceder al modo de vinculación.

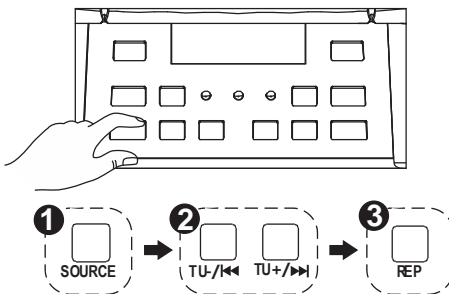


RADIO FM

- Pulse el botón "Source" y seleccione Radio, la pantalla LED roja mostrará la frecuencia de radio FM.
- Pulse el botón Play/Pause para buscarla automáticamente y almacenarla.
- Mantenga pulsados los botones TU ◀◀ o TU ▶▶ para elegir la siguiente emisora disponible almacenada. Púselos brevemente para sintonizar.

PUERTO USB

- Pulse el botón "Source" y seleccione USB. La pantalla LED roja mostrará USB.
- Inserte la unidad USB.
- Seleccione su música favorita pulsando TU ◀◀ o TU ▶▶.
- Pulse "REPEAT" una vez para repetir la canción seleccionada actual.
- Pulse "REPEAT" una 2ª vez para repetir todas las canciones.
- Pulse "REPEAT" una 3ª vez para repetir aleatoriamente.
- Pulse "REPEAT" otra vez para desactivar la repetición.



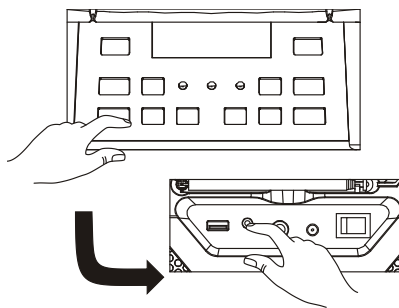
Cambiará automáticamente al modo USB cuando inserte una unidad USB.

Importante: El puerto USB está diseñado solo para transferencia de datos. No es

posible usar otros dispositivos con esta conexión USB. No se recomienda el uso de cables de extensión USB.

ENTRADA DE LÍNEA

- Pulse el botón "Source" y seleccione LINE (Línea). La pantalla LED roja mostrará LINE (Línea).
- Conecte su cable de 3,5 mm en la entrada de línea del panel trasero y la unidad entrará en modo de entrada de línea.
- Puede conectar cualquier dispositivo de audio con un conector de salida de audio de 3,5 mm y reproducir cualquier audio del dispositivo conectado.



RECARGAR

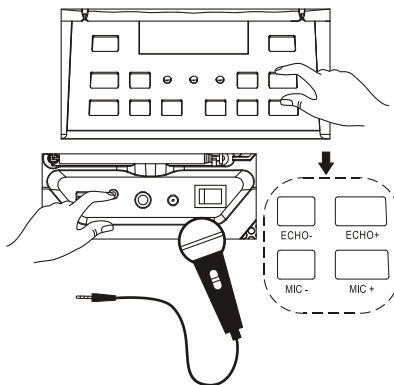
- La unidad dispone de una alerta indicadora de batería.
- Si el LED de la batería parpadea, significa que el nivel de la batería es bajo y es necesario recargarla.
- Al conectar la alimentación CA, el LED de la batería se volverá de color rojo indicando que la unidad está cargándose.
- Cuando el LED de la batería se vuelva de color verde, significa que la batería está completamente cargada.

Se recomienda cargar la batería durante 6 horas antes de empezar a usar la unidad por primera vez.

Precaución: Para mantener la batería recargable en buenas condiciones, los usuarios deben comprobar la unidad y asegurarse de que colocar el interruptor de encendido/apagado del panel trasero en "Off" después de cada uso y antes de guardarla. Se recomienda encarecidamente que los usuarios carguen completamente la batería al menos una vez cada dos meses.

KARAOKE

- Este producto le permite cantar las canciones que se están reproduciendo en modo BT, USB o de entrada de línea.
- Conecte el cable del micrófono en el panel lateral con la marca "MIC"
- Ajuste el volumen del micrófono con "MIC +/MIC -" o el volumen principal del panel de control superior.
- Ajuste el nivel de eco con "ECHO +/ECHO -".
- Empiece a cantar.



ADVERTENCIA: - Si el volumen del micrófono y el nivel de eco están demasiado elevados o al máximo, tenga cuidado con el tono de reflejo de agudo.

EFECTOS DE SONIDO

- El "PA-30" tiene un ecualizador integrado.
- Pulse y seleccione el efecto de sonido preestablecido para la música; FLAT (plano), CLASSIC (clásica), POP, ROCK y JAZZ

SOLUCIÓN DE PROBLEMAS

General

No se enciende

- Compruebe que el adaptador CA esté insertado con firmeza en la unidad y en la toma eléctrica.
- Compruebe que el interruptor de encendido/apagado esté en la posición ON.
- Si la batería está agotada, conecte el adaptador CA para cargarla y operarla.

Los botones no responden

- Ponga el interruptor de encendido/apagado en OFF, espere un minuto y vuelva a ponerlo en ON para reiniciar la unidad.
- Desenchufe el adaptador CA y vuelva a enchufarlo.

No se oye el sonido

- Asegúrese de que el volumen de la línea conectada esté a un nivel razonable.
- Asegúrese de que el dispositivo Bluetooth de audio esté conectado con el BT.
- Asegúrese de que el volumen del dispositivo Bluetooth conectado esté a un nivel razonable.

Funcionamiento del Bluetooth

La calidad del audio es mala

- La recepción del Bluetooth es mala. Acerque más el dispositivo Bluetooth al altavoz.

No se puede vincular al dispositivo Bluetooth

- Asegúrese de que ni el dispositivo Bluetooth ni el altavoz estén conectados a otro dispositivo Bluetooth.
- Asegúrese de que el LED azul del altavoz parpadee rápidamente (modo de vinculación).
- Ponga el interruptor de encendido en OFF y después otra vez en ON y mantenga pulsado el botón BT durante 2 segundos para acceder al modo de vinculación.

ESPECIFICACIONES

General

Fuente de entrada:	Bluetooth/línea/FM/USB
Consumo de energía:	20 W
Alcance del Bluetooth	10 m (33 pies)
Entrada de línea:	3,5 mm
Reproducción USB:	Máxima velocidad 2.0
Botones de control:	Power, Source, vinculación Bluetooth, Volume +/-, EQ, MIC (ECHO-/ECHO+), REP, Encendido (1 LED rojo) Bluetooth (1 LED azul) LED de la batería (1 LED rojo, 1 LED verde)
Indicador LED:	
Pilas:	Sí: 12 V, 2600 mAh
Fuente de alimentación:	15 V CC, $\overline{\text{---}}$ 1,0 A
Rango de frecuencias:	FM 87,5 -108 MHz
Potencia de salida del altavoz:	25 W (RMS)
Dimensiones del controlador del altavoz:	5" (subwoofer)
Rejilla del altavoz:	Rejilla del altavoz metálica
Rango completo:	Sí
S/R:	> 50 dB
Material del armario:	Plástico
Dimensiones (A x Al x P):	135 x 260 x 350 (mm)
Peso (kg)	3,05 kg

Bluetooth

Versión de Bluetooth	3.0 + EDR
Perfil de Bluetooth	A2DP, AVRCP
Banda de frecuencias de Bluetooth:	2,402 GHz - 2,480 GHz
Alcance del Bluetooth	10 m

Acerca de la batería de plomo-ácido sellada:

Esta unidad funciona con una batería (nº de modelo: Tianchang 6-FM-2.6, 12 V, 2600mAh) desenchufe el adaptador eléctrico CA del conector de entrada CC para usarla con la batería (después de cargarla completamente). Enchufe el adaptador eléctrico CA mientras la batería esté insertada para empezar a cargar la batería. El indicador LED de carga se ilumina en rojo durante la carga, cuando la batería está completamente cargada el indicador es de color verde. Cargar completamente una batería vacía puede tardar 8 horas. Una batería cargada completamente puede durar aproximadamente 10 horas con una reproducción continua a un volumen del 50%. Este tiempo de reproducción puede variar según el entorno, el nivel de volumen del altavoz y las condiciones de la batería. Se recomienda esperar 10-20 minutos antes de cargar la batería si se ha agotado durante el uso.

Existe riesgo de explosión si la pila no se sustituye correctamente

Ahorro de energía:

El PA-30 pasará automáticamente a modo de espera si no recibe música durante 20 minutos para ahorrar energía. Para reactivar el altavoz, ponga el interruptor de encendido en OFF, espere unos segundos y vuelva a ponerlo en ON.

Este producto funciona a 2400 a 2483,5 MHz y está diseñado únicamente para ser utilizado dentro de un entorno doméstico normal. Este producto es adecuado para este propósito en todos los países de la UE.

Garantía

Lenco ofrece servicio y garantía en cumplimiento con las leyes de la Unión Europea, lo cual implica que, en caso de que su producto precise ser reparado (tanto durante como después del periodo de garantía), deberá contactar directamente con su distribuidor.

Nota importante: No es posible enviar sus reparaciones directamente a Lenco.

Nota importante: Si la unidad es abierta por un centro de servicio no oficial, la garantía quedará anulada.

Este aparato no es adecuado para el uso profesional. En caso de darle un uso profesional, todas las obligaciones de garantía del fabricante quedarán anuladas.

Exención de responsabilidad

Regularmente se llevan a cabo actualizaciones en el Firmware y en los componentes del hardware. Por esta razón, algunas de las instrucciones, especificaciones e imágenes incluidas en este documento pueden diferir ligeramente respecto a su situación particular. Todos los elementos descritos en esta guía tienen un objetivo de mera ilustración, y pueden no ser de aplicación en su situación particular. No se puede obtener ningún derecho ni derecho legal a partir de la descripción hecha en este manual.

Eliminación del antiguo dispositivo



Este símbolo indica que no deberá deshacerse del producto eléctrico o batería en cuestión junto con los residuos domésticos, en el ámbito de la UE. Para garantizar un tratamiento residual correcto del producto y su batería, por favor, elimínelos cumpliendo con las leyes locales aplicables sobre requisitos para el desecho de equipos eléctricos y baterías. De hacerlo, ayudará a conservar recursos naturales y mejorar los estándares de protección medioambiental en el tratamiento y eliminación de residuos eléctricos (Directiva sobre la Eliminación de Equipos Eléctricos y Electrónicos).

Servicio

Para obtener más información y soporte del departamento técnico, por favor, visite la página web www.lenco.com
Lenco Benelux BV, Thermiekstraat 1a, 6361 HB, Países Bajos.