

Lenco

Model No: LS-40



**User Manual – Turntable with built-in speakers
Gebruikershandleiding – Platenspeler met
ingebouwde luidsprekers
Benutzerhandbuch – Turntable mit eingebauten Lautsprechern
Mode d'emploi - Tourne-disque avec haut-parleurs intégrés
Manual del usuario – Tocadiscos con altavoces integrados
Руководство пользователя – Виниловый проигрыватель со
встроенными динамиками
Manuale d'uso – Giradischi con altoparlanti integrati**

Index	
ENGLISH	3
NEDERLANDS	11
DEUTSCH.....	19
FRANÇAIS.....	28
ESPAÑOL.....	36
РУССКИЙ	44
ITALIANO.....	55

CAUTION:

Usage of controls or adjustments or performance of procedures other than those specified herein may result in hazardous radiation exposure.

PRECAUTIONS BEFORE USE**KEEP THESE INSTRUCTIONS IN MIND:**

1. Do not cover or block any ventilation openings. When placing the device on a shelf, leave 5 cm (2") free space around the whole device.
2. Install in accordance with the supplied user manual.
3. Keep the device away from heat sources such as radiators, heaters, stoves, candles and other heat-generating products or naked flame. The device can only be used in moderate climates. Extremely cold or warm environments should be avoided. Working temperature between 0° and 35°C.
4. Avoid using the device near strong magnetic fields.
5. Electrostatic discharge can disturb normal usage of this device. If so, simply reset and restart the device following the instruction manual. During file transmission, please handle with care and operate in a static-free environment.
6. Warning! Never insert an object into the product through the vents or openings. High voltage flows through the product and inserting an object can cause electric shock and/or short circuit internal parts. For the same reason, do not spill water or liquid on the product.
7. Do not use in wet or moist areas such as bathrooms, steamy kitchens or near swimming pools.
8. The device shall not be exposed to dripping or splashing and make sure that no objects filled with liquids, such as vases, are placed on or near the apparatus.
9. Do not use this device when condensation may occur. When the unit is used in a warm wet room with damp, water droplets or condensation may occur inside the unit and the unit may not function properly; let the unit stand in power OFF for 1 or 2 hours before turning on the power: the unit should be dry before getting any power.
10. Although this device is manufactured with the utmost care and checked several times before leaving the factory, it is still possible that problems may occur, as with all electrical appliances. If you notice smoke, an excessive build-up of heat or any other unexpected phenomena, you should disconnect the plug from the main power socket immediately.
11. This device must operate on a power source as specified on the specification label. If you are not sure of the type of power supply used in your home, consult your dealer or local power company.
12. Keep away from animals. Some animals enjoy biting on power cords.
13. To clean the device, use a soft dry cloth. Do not use solvents or petrol based fluids. To remove severe stains, you may use a damp cloth with dilute detergent.
14. The supplier is not responsible for damage or lost data caused by malfunction, misuse, modification of the device or battery replacement.
15. Do not interrupt the connection when the device is formatting or transferring files. Otherwise, data may be corrupted or lost.
16. If the unit has USB playback function, the USB memory stick should be plugged into the unit directly. Don't use an USB extension cable because it can cause interference resulting in failing of data.
17. The rating label has been marked on the bottom or back panel of the device.
18. This device is not intended for use by people (including children) with physical, sensory or mental disabilities, or a lack of experience and knowledge, unless they're under supervision or have received instructions about the correct use of the device by the person who is responsible for their safety.
19. This product is intended for non professional use only and not for commercial or industrial use.
20. Make sure the unit is adjusted to a stable position. Damage caused by using this product in an unstable position vibrations or shocks or by failure to follow any other warning or precaution contained within this user manual will not be covered by warranty.
21. Never remove the casing of this device.
22. Never place this device on other electrical equipment.
23. Do not allow children access to plastic bags.
24. Only use attachments/accessories specified by the manufacturer.
25. Refer all servicing to qualified service personnel. Servicing is required when the device has been damaged in any way, such as the power supply cord or the plug, when liquid has been spilled or objects have fallen into the device, when the device has been exposed to rain or moisture, does not operate normally, or has been dropped.

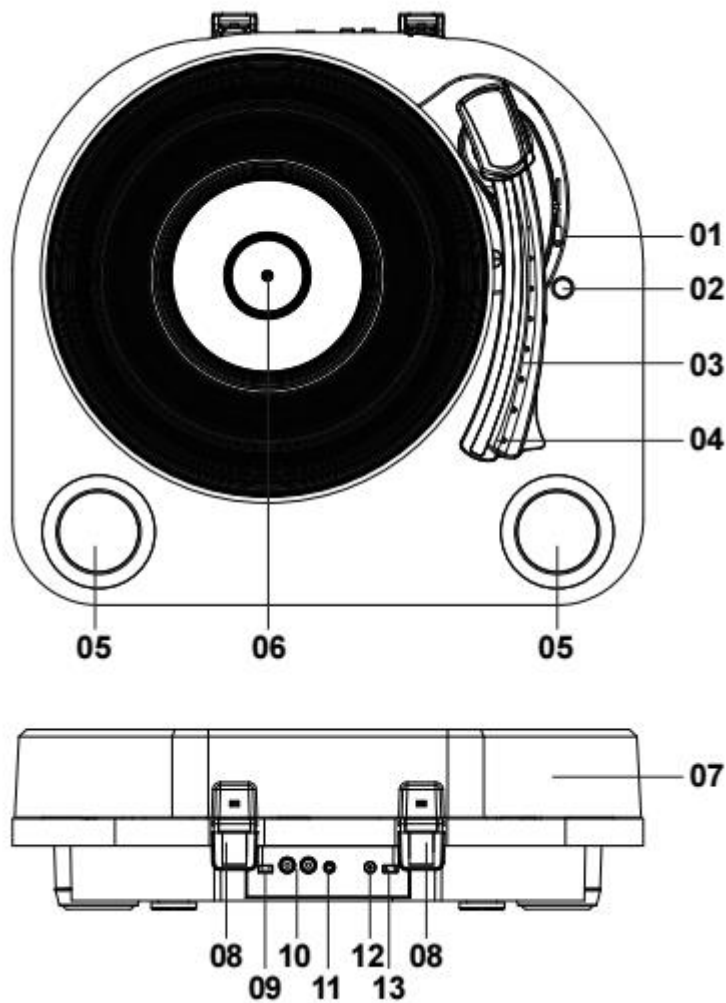
26. Long exposure to loud sounds from personal music players may lead to temporary or permanent hearing loss.
27. If the product is delivered with power cable or AC power adaptor:
- If any trouble occur, disconnect the AC power cord and refer servicing to qualified personnel.
 - Don't step on or pinch the power adaptor. Be very careful, particularly near the plugs and the cable's exit point. Do not place heavy items on the power adaptor, which may damage it. Keep the entire device out of children's reach! When playing with the power cable, they can seriously injure themselves.
 - Unplug this device during lightning storms or when unused for a long period.
 - The socket outlet must be installed near the equipment and must be easily accessible.
 - Do not overload ac outlets or extension cords. Overloading can cause fire or electric shock.
 - Devices with class 1 construction should be connected to a main socket outlet with a protective earthed connection.
 - Devices with class 2 construction do not require a earthed connection.
 - Always hold the plug when pulling it out of the main supply socket. Do not pull the power cord. This can cause a short circuit.
 - Do not use a damaged power cord or plug or a loose outlet. Doing so may result in fire or electric shock.
28. If the product contains or is delivered with a remote control containing coin/cell batteries:
Warning:
- "Do not ingest battery, Chemical Burn Hazard" or equivalent warning.
 - [The remote control supplied with] This product contains a coin/button cell battery. If the battery is swallowed, it can cause severe internal burns in just 2 hours and can lead to death.
 - Keep new and used batteries away from children.
 - If the battery compartment does not close securely, stop using the product and keep it away from children.
 - If you think batteries might have been swallowed or placed inside any part of the body, seek immediate medical attention.
29. Caution about the use of Batteries:
- Danger of explosion if battery is incorrectly replaced. Replace only with the same or equivalent type.
 - Battery cannot be subjected to high or low extreme temperatures, low air pressure at high altitude during use, storage or transportation.
 - Replacement of a battery with an incorrect type that can result in an explosion or the leakage of flammable liquid or gas.
 - Disposal of a battery into fire or a hot oven, or mechanically crushing or cutting of a battery, that can result in an explosion.
 - Leaving a battery in an extremely high temperature surrounding environment that can result in an explosion or that leakage of flammable liquid or gas.
 - A battery subjected to extremely low air pressure that may result in an explosion or the leakage of flammable liquid or gas.
 - Attention should be drawn to the environmental aspects of battery disposal.

INSTALLATION

- Unpack all parts and remove protective material.
- Do not connect the unit to the mains before checking the mains voltage and before all other connections have been made.

***Those instruction are related only to products using power cable or AC power adaptor.**

1. TURNTABLE PARTS:



1. Lift Lever
2. Power On/Off and Volume Control Switch
3. Turntable Arm
4. Phono Stylus Cartridge
5. Speakers
6. Turntable Platter
7. Removable Dust Cover
8. Hinge
9. Auto Stop Control Switch
10. RCA Output Jack
11. 3.5mm Aux-in Jack
12. Power Adaptor Jack
13. Speed Selection Switch

2. Listen to a Record

1. Raise the dust cover
2. Turn the Power On/Off/volume control switch clockwise to turn on the unit.

3. Place a record on the turntable platter and set the player speed to match the record speed.
Note: When playing a single (a 45 rpm record) and/or records with large centre holes, use the 45 rpm adaptor.
4. Remove the needle cartridge protective cover and unlock the tone arm from the tone arm rest.
5. Push the lift lever backward. The tone arm will gently rise up.
6. Gently move the tone arm to the desired position on the record. If the auto stop function is on, the turntable platter will start to rotate.
7. Release the tone arm onto the turntable by pushing the lift lever forward, the tone arm will move towards the record and the music will start to play.

If the auto stop control switch is turned ON, the record will stop automatically when finished. If auto stop control switch is turned OFF, the record will NOT stop automatically when finished; you then must push the lift lever backward to raise the tone arm and place it back in the rest. Then turn off the power to stop the turntable from spinning.

Please note: The auto stop function applies to most 33RPM vinyl records. However, for very few vinyl records, it will stop before it reaches the end or it will not stop when it has come to the end of the record.

3. RCA connection

Connect the RCA Output Jack to the external speaker system (Line in) with the RCA cable (not provided) to enjoy vinyl records music on your speaker system.

4. HOW TO REPLACE THE NEEDLE

To replace the needle, please refer to the instructions below.

Removing the needle from the cartridge

1. Place a screwdriver at the tip of the needle headshell and push downwards in the direction shown in sketch "A"
2. Remove the needle headshell by pulling it forwards and pushing downwards.

Inserting the needle

1. Hold the tip of the needle headshell And insert it by pressing in the direction illustrated by "B".



2. Push the needle headshell upwards in the direction illustrated by "C" until the needle locks into the tip position.

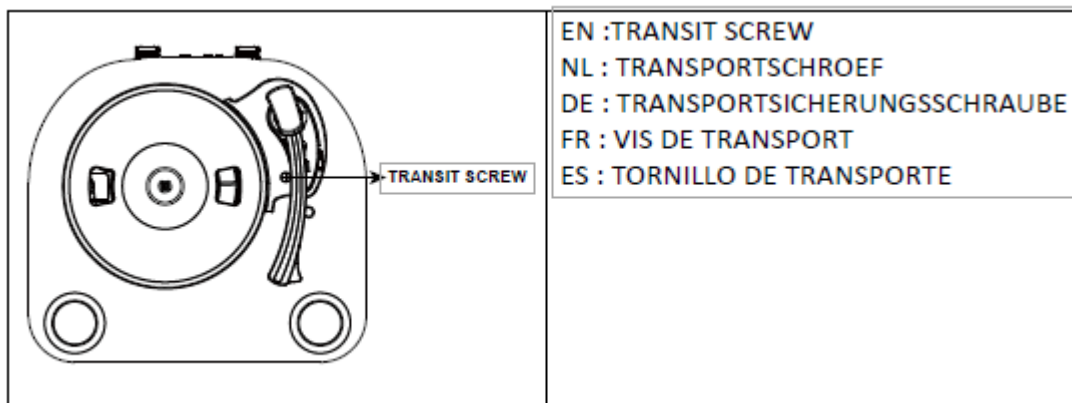
5. AUX-IN (3.5mm Jack)

An external (auxiliary) audio source (i.e. personal CD/MP3 Player/Mobile phone or computer) can be connected to this apparatus via the 3.5mm Aux-in Jack.

1. Plug a detachable Aux cable (not provided) into the 3.5mm Aux-in Jack at the rear of the unit.
2. Plug the other end of the Aux cable into the Headphone or Line-out socket of your External Source.
3. Power On the unit by turning the Volume Control Knob clockwise.
4. Rotate the Volume Control Knob to adjust the sound level.

Note: This unit complies with ERP2 regulation. Therefore the Lenco LS-40 will switch off to standby when there is no audio signal (record or **Aux in**) during~20 minutes. To start using it again, please power off/on again.

The turntable has been secured for shipment with a transit screw. Use a coin or screwdriver to turn the transit screw clockwise. This will allow the turntable to “float”. During transportation, make sure to tighten this transit screw by turning counter-clockwise.



Lenco	
Turntable	LS-40
Type	Belt drive full manual
Drive Motor	DC motor
Speed	33 1/3 rpm, 45 rpm
Wow and flutter	≤0.35%
Turntable platter	253mm
Cartridge	
Type	N-10/Ceramic Cartridge 402-M208-015
Stylus	0.7 mil
Optimum Tracking force	4-6 grams
Output	160-380mV (HP-4005)
Frequency response	-28db (10KHz)
Crosstalk	10db (1KHz)
Signal-to-noise ratio(S/N)	40db
General	
Adapter	input AC100-240V~50/60Hz 0.5A

	output DC12V-1A
Product	DC12V-1A
Audio Output (Line Out)	400-600mv
Power Consumption	10W
Dimension	420x375x120mm
Weight	approx.3.29KGS LS-40WD
Weight	approx.3.28KGS LS-40BK

Power supply adaptor

Manufacturer: Blue Iron

Model number: BI12T-120100-I

Use only the power supply listed in the user instructions.

Information	Value and and precision
Manufacturers name or trade mark, commercial registration and address	Dong guan blue iron enterprise co,.limited N0.3. Xi Da StreetLin Village, Tang Xia Town, Dong Guan City, Guang Dong Province
Model Identifier	BI12T-120100-I
Input voltage	120-240V
Input AC frequency	50-60Hz
Output voltage	DC 12V
Output current	0.5A
Output Power	12W
Average active efficiency	74.96%
Efficiency at low load (10%)	70.76%
No load Power consumption	0.07

Guarantee

Lenco offers service and warranty in accordance to European law, which means that in case of repairs (both during and after the warranty period) you should contact your local dealer.

Important note: It is not possible to send products that need repairs to Lenco directly.

Important note: If this unit is opened or accessed by a non-official service center in any way, the warranty expires.

This device is not suitable for professional use. In case of professional use, all warranty obligations of the manufacturer will be voided.

Disclaimer

Updates to Firmware and/or hardware components are made regularly. Therefore some of the instruction, specifications and pictures in this documentation may differ slightly from your particular situation. All items described in this guide for illustration purposes only and may not apply to particular situation. No legal right or entitlements may be obtained from the description made in this manual.

Disposal of the Old Device



This symbol indicates that the relevant electrical product or battery should not be disposed of as general household waste in Europe. To ensure the correct waste treatment of the product and battery, please dispose them in accordance to any applicable local laws of requirement for disposal of electrical equipment or batteries. In so doing, you will help to conserve natural resources and improve standards of environmental protection in treatment and disposal of electrical waste (Waste Electrical and Electronic Equipment Directive).



CE Marking

Hereby, Lenco Benelux B.V., Thermiekstraat 1a, 6361 HB Nuth, The Netherlands, declares that this product is in compliance with the essential EU directive requirements.

The declaration of conformity may be consulted via techdoc@commaxxgroup.com



Service

For more information and helpdesk support, please visit www.lenco.com

Lenco Benelux BV, Thermiekstraat 1a, 6361 HB, The Netherlands.

LET OP:

Het gebruik van afstandsbedieningen of aanpassingen of de uitvoering van procedures die niet in dit document zijn gespecificeerd, kan leiden tot gevaarlijke blootstelling aan straling.

VOORZORGSMAATREGELEN VOOR GEBRUIK**ONTHOUD DE VOLGENDE INSTRUCTIES:**

1. Bedek of blokkeer de ventilatieopeningen niet. Wanneer u het apparaat op een schap plaatst, dient u 5 cm (2") vrije ruimte rondom het gehele apparaat te behouden.
2. Installeer het product volgens de meegeleverde gebruikershandleiding.
3. Houd het apparaat uit de buurt van hittebronnen, zoals radiatoren, verwarmingen, kachels, kaarsen en andere hittegenererende producten of open vuur. Het apparaat kan alleen worden gebruikt in een gematigd klimaat. Extreem koude of warme omgevingen dienen te worden vermeden. Het bedrijfstemperatuurbereik ligt tussen 0 °C en 35 °C.
4. Gebruik dit apparaat niet in de buurt van krachtige magnetische velden.
5. Elektrostatische ontlading kan normaal gebruik van dit apparaat verstoren. U hoeft het apparaat in dit geval slechts te resetten en opnieuw op te starten volgens de gebruikershandleiding. Wees voorzichtig tijdens bestandsoverdracht en gebruik het product in een omgeving zonder statische interferentie.
6. Waarschuwing! Steek nooit een voorwerp via de ventilatie- of andere openingen in het product. Er is hoogspanning in het product aanwezig en als u er een object insteekt, kan dat een elektrische schok veroorzaken en/of kortsluiting in de interne onderdelen. Mors om dezelfde reden geen water of vloeistof op het product.
7. Gebruik het toestel niet in vochtige ruimtes, zoals badkamers, stomende keukens of in de buurt van zwembaden.
8. Het apparaat mag niet worden blootgesteld aan druppels en spetters en zorg ervoor dat er geen met vloeistof gevulde voorwerpen, zoals vazen, op of in de buurt van het apparaat worden geplaatst.
9. Gebruik dit apparaat niet wanneer condensatie kan optreden. Wanneer het apparaat in een warme, natte ruimte wordt gebruikt, kunnen zich waterdruppels of condens vormen in het apparaat en kan het apparaat niet goed functioneren. Laat het apparaat 1 of 2 uur uit staan voordat u het inschakelt: het apparaat dient droog te zijn voordat deze stroom ontvangt.
10. Alhoewel dit apparaat met grote zorg gefabriceerd en verschillende keren geïnspecteerd is voordat het de fabriek verlaat, is het nog steeds mogelijk dat er problemen optreden, zoals met alle elektrische apparaten. Als u rook, een overmatige hitteontwikkeling of enig ander onverwacht verschijnsel opmerkt, moet u onmiddellijk de stekker van het netsnoer uit het stopcontact halen.
11. Dit apparaat moet worden gebruikt met een voedingsbron zoals gespecificeerd op het specificatielabel. Als u twijfelt over het type voeding dat gebruikt wordt in uw huis, raadpleeg dan uw dealer of plaatselijk energiebedrijf.
12. Buiten bereik van dieren houden. Sommige dieren kauwen graag op voedingskabels.
13. Gebruik een zacht, droog doekje om het apparaat te reinigen. Gebruik geen oplosmiddelen of op benzine gebaseerde vloeistoffen. U kunt een vochtig doekje met verdund schoonmaakmiddel gebruiken om hardnekkige vlekken te verwijderen.
14. De leverancier is niet verantwoordelijk voor schade of verloren gegevens veroorzaakt door storing, misbruik, modificatie van het apparaat of batterijvervanging.
15. Onderbreek nooit de verbinding wanneer het apparaat formatteert of bestanden overdraagt. De gegevens kunnen anders corrupt of verloren raken.
16. Indien het apparaat een USB-afspeelfunctie heeft, moet de USB-geheugenstick rechtstreeks op het apparaat worden aangesloten. Gebruik geen USB-verlengkabel, omdat die kan leiden tot storingen met foutieve gegevens als gevolg.
17. Het classificatielabel bevindt zich op de onderkant of het achterpaneel van het apparaat.
18. Dit hulpmiddel is niet bedoeld voor gebruik door mensen (inclusief kinderen) met een fysieke, zintuiglijke of mentale handicap, of een gebrek aan ervaring en kennis, tenzij zij toezicht of instructies hebben gekregen over het juiste gebruik van het hulpmiddel door een persoon die verantwoordelijk is voor hun veiligheid.
19. Dit product is alleen voor niet-professioneel gebruik bedoeld en niet voor commercieel of industrieel gebruik.
20. Verzeker u ervan dat het apparaat in een stabiele positie staat opgesteld. Schade die wordt veroorzaakt door het gebruik van dit product in een onstabiele positie, trillingen of schokken of het niet opvolgen van de waarschuwingen of voorzorgsmaatregelen in deze gebruikershandleiding wordt niet gedekt door de garantie.
21. Verwijder nooit de behuizing van dit apparaat.
22. Plaats dit apparaat nooit op andere elektrische apparatuur.

23. Geef kinderen geen gelegenheid in aanraking met plastic zakken te komen.
24. Gebruik uitsluitend uitbreidingen/accessoires gespecificeerd door de fabrikant.
25. Laat alle reparaties over aan gekwalificeerd onderhoudspersoneel. Onderhoud is nodig als het apparaat is beschadigd, bijvoorbeeld als de voedingskabel of de stekker is beschadigd, als er vloeistof op het apparaat is gemorst, als er voorwerpen in het apparaat zijn gevallen, als het apparaat is blootgesteld aan regen of vocht, als het apparaat niet normaal werkt of als het is gevallen.
26. Langdurige blootstelling aan harde geluiden van persoonlijke muzikspelers kan leiden tot tijdelijk of permanent gehoorverlies.
27. Als het product wordt geleverd met voedingskabel of wisselstroomvoedingsadapter:
 - Als er zich problemen voordoen, moet u de voedingskabel loskoppelen en het ter onderhoud aanbieden aan gekwalificeerd personeel.
 - Nooit op de voedingsadapter stappen of deze indrukken. Wees zeer voorzichtig, vooral in het gebied rond de stekkers en de kabelaansluitingen. Plaats geen zware voorwerpen op de voedingsadapter, om beschadiging ervan te voorkomen. Houd het gehele apparaat buiten bereik van kinderen! Wanneer kinderen met de voedingskabel spelen, kunnen zij ernstig letsel oplopen.
 - Haal de stekker uit het stopcontact tijdens onweer of wanneer u deze langere tijd niet gebruikt.
 - Het stopcontact moet in de buurt van de apparatuur zijn geïnstalleerd en eenvoudig te bereiken zijn.
 - Laat AC-stopcontacten of verlengsnoeren nooit overbelast raken. Overbelasting kan brand of een elektrische schok veroorzaken.
 - Apparaten met een Klasse 1 structuur dienen te worden aangesloten op een stopcontact met een beschermende aardverbinding.
 - Apparaten met een Klasse 2 structuur vereisen geen aardverbinding.
 - Houd altijd de stekker vast wanneer u deze uit het stopcontact trekt. Trek nooit aan de voedingskabel. Dit kan tot een kortsluiting leiden.
 - Gebruik nooit een beschadigde voedingskabel of stekker of een los stopcontact. Dit vormt namelijk een risico op brand of elektrische schokken.
28. Indien het product knoopcelbatterijen bevat of wordt geleverd met een afstandsbediening die knoopcelbatterijen bevat:

Waarschuwing:

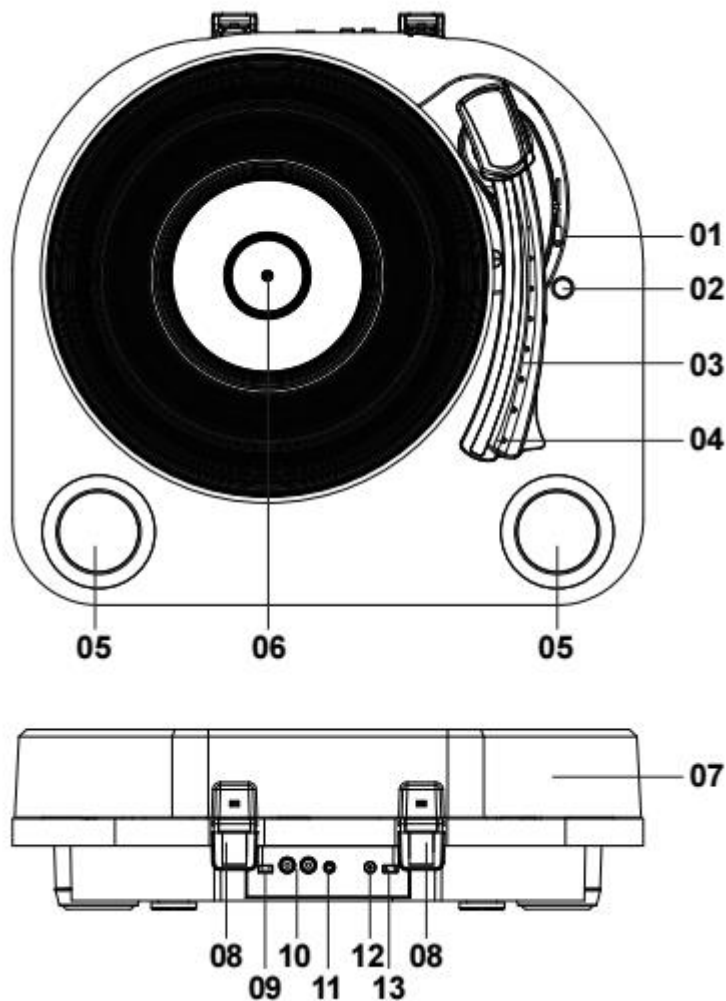
 - “Batterij niet inslikken, chemisch brandgevaar” of gelijkwaardige werking.
 - De meegeleverde afstandsbediening bevat een knoopcelbatterij. Als de batterij wordt ingeslikt, kan deze in slechts 2 uur ernstige interne brandwonden veroorzaken en tot de dood leiden.
 - Houd nieuwe en gebruikte batterijen buiten bereik van kinderen.
 - Als de batterijhouder niet goed kan worden gesloten, dient u het product niet meer te gebruiken en buiten bereik van kinderen te houden.
 - Als u denkt dat batterijen zijn ingeslikt of binnenin een willekeurig lichaamsdeel terecht zijn gekomen, dient u onmiddellijk medische hulp te zoeken.
29. Waarschuwing m.b.t. het gebruik van batterijen:
 - Als de batterij onjuist wordt geplaatst, bestaat er explosiegevaar. Vervang de batterij alleen door een zelfde of vergelijkbare soort batterij.
 - Stel de batterij niet bloot aan extreem hoge of lage temperaturen of een lage luchtdruk op grote hoogte tijdens gebruik, opslag of transport.
 - Vervanging van een batterij door een incorrect type kan leiden tot een ontploffing of de lekkage van ontvlambare vloeistoffen of gas.
 - Het weggooien van een batterij in het vuur of een hete oven, of het mechanisch verpletteren of insnijden van een batterij, kan leiden tot een explosie.
 - Het achterlaten van een batterij in een omgeving met extreem hoge temperaturen kan leiden tot een explosie of het lekken van brandbare vloeistof of gas.
 - Een batterij die aan een extreem lage luchtdruk wordt blootgesteld, kan leiden tot een explosie of het lekken van brandbare vloeistof of gas.
 - Aandacht voor het milieu is nodig bij het verwijderen van de batterijen.

INSTALLATIE

- Pak alle onderdelen uit en verwijder de beschermende materialen.
- Sluit het apparaat niet aan op het stopcontact, voordat u de netspanning hebt gecontroleerd en voordat alle andere aansluitingen zijn gemaakt.

***Deze instructies hebben alleen betrekking op producten met een netsnoer of AC-voedingsadapter.**

1. ONDERDELEN VAN DE PLATENSPELER:



1. Hendel
2. Aan-/uitschakelaar en volumeregelaar
3. Toonarm
4. Naaldelement
5. Luidsprekers
6. Draaitafelplateau
7. Verwijderbare stofkap
8. Scharnier
9. Aan-/uitschakelaar automatisch stoppen
10. RCA-uitgang
11. 3,5 mm Aux-in-aansluiting
12. Voedingsaansluiting
13. Snelheidskeuzeschakelaar

2. Naar een plaat luisteren

1. Open de stofkap
2. Draai de Aan-/uitschakelaar/volumeregelaar rechtsom om het apparaat aan te zetten.

3. Leg een plaat op de draaitafel en stel de snelheid in overeenkomstig de snelheid die op de plaat staat aangegeven.
Opmerking: Bij het afspelen van een single (een 45-toerenplaat) en/of platen met een groot gat in het midden, gebruikt u de 45-toerenadapter.
4. Verwijder de beschermkap van het naaldelement en ontgrendel de toonarm van de toonarmsteun.
5. Druk de hendel naar achteren. De toonarm zal voorzichtig omhoog gaan.
6. Beweeg de toonarm voorzichtig naar de gewenste positie op de plaat. Als de functie automatisch stoppen is ingeschakeld, dan begint de draaitafel te draaien.
7. Laat de toonarm op de platenspeler los door de hendel naar voren te drukken. De toonarm zal in de richting van de plaat bewegen en de muziek zal beginnen af te spelen.

Als het automatisch stoppen AAN staat, zal de plaat aan het eind automatisch stoppen. Als het automatisch stoppen UIT staat, dan zal de plaat NIET automatisch aan het eind stoppen; u moet dan de hendel naar achteren drukken om de toonarm omhoog te halen en weer in de steun plaatsen. Haal vervolgens de stekker uit het stopcontact om de platenspeler te laten stoppen met draaien.

Opmerking: De functie automatische stoppen is van toepassing op de meeste 33-toeren langspeelplaten. Echter, bij een aantal langspeelplaten stopt het afspelen voordat het einde van de plaat is bereikt, of stopt de plaat niet aan het einde van de plaat.

3. RCA-aansluiting

Sluit de RCA-uitgang aan op het externe luidsprekersysteem (lijningang) met de RCA-kabel (niet meegeleverd) om van de langspeelplaat te genieten op uw luidsprekersysteem.

4. HET VERVANGEN VAN DE NAALD

Om de naald te vervangen, verwijzen wij u naar de onderstaande instructies.

Het verwijderen van de naald uit het element

1. Plaats een schroevendraaier op het uiteinde de naaldhouder, druk deze naar beneden, overeenkomstig schets "A"
2. Verwijder de naald door hem naar voren te trekken en naar beneden te duwen.

Het plaatsen van de naald

1. Houd het uiteinde van de naaldhouder vast en plaats deze door in de richting overeenkomstig schets "B" te drukken.



EN	NL
Guide Pins (inside)	Geleidepennen (binnen)

2. Duw de naaldhouder omhoog, geïllustreerd in "C", totdat de naald in de juiste positie is vergrendeld.

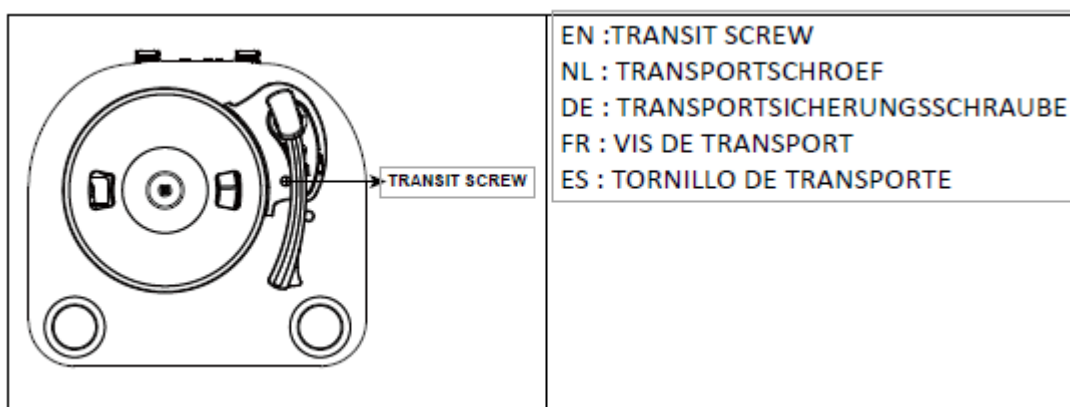
5. AUX-IN (3,5 mm-aansluiting)

U kunt via de 3,5mm Aux-ingang een externe (aanvullende) audiobron (zoals een persoonlijke CD/MP3-speler/mobiele telefoon of computer) op dit apparaat aansluiten.

1. Steek een afneembare Aux-kabel (niet inbegrepen) in de 3,5mm Aux-ingang op de achterzijde van het apparaat.
2. Steek het andere uiteinde van de Aux-kabel in de Hoofdtelefoon- of Lijnuitgang van uw externe audiobron.
3. Schakel het apparaat in door de Volumeknop rechtsom te draaien.
4. Draai de Volumeknop om het geluidsniveau aan te passen.

Opmerking: Dit apparaat voldoet aan de ERP2-verordening. Daarom schakelt de Lenco LS-40 uit naar stand-by wanneer er gedurende ~ 20 minuten geen audiosignaal (langspeelplaat of **AUX IN**) is. Schakel het apparaat uit en weer aan om het weer te gebruiken.

De platenspeler is beveiligd voor verzending met een transportschroef. Gebruik een muntje of schroevendraaier om de transportschroef rechtsom los te draaien. Het draaiplateau kan vervolgens "zweven". Zorg tijdens het transport ervoor dat u deze transportschroef vastdraait door deze linksom te draaien.



Lenco	
Draaiplateau	LS-40
Type	Riemaandrijving, volledig handmatig
Aandrijfmotor	Gelijkstroommotor
Snelheid	33 1/3 toeren, 45 toeren
Wow en flutter	≤0,35%
Draaitafelplateau	253 mm
Cartridge	
Type	N-10/Keramische element 402-M208-015
Naald	0,7 mil
Optimale naalddruk	4 tot 6 g
Uitgang	160-380 mV (HP-4005)
Frequentiebereik	-28 db (10 KHz)
Overspraak	10 db (1 KHz)
Signaal-ruisverhouding (S/N)	40 dB
Algemeen	
Adapter	Invoer AC 100-240V - 50/60 Hz 0,5A uitgang DC 12 V-1 A
Product	DC 12 V-1 A
Audio-uitgang (lijnuitgang)	400-600 mV
Stroomverbruik	10 W
Afmetingen	420 x 375 x 120 mm
Gewicht	Ongeveer 3,29 kg LS-40WD
Gewicht	Ongeveer 3,28 kg LS-40BK

Voedingsadapter

Fabrikant: Blue Iron

Modelnummer: BI12T-120100-I

Gebruik uitsluitend het voedingsapparaat dat in de gebruiksaanwijzingen staat vermeld.

Informatie	Waarde en precisie
Naam of handelsmerk van de fabrikant, handelsregistratie en adres	Dong guan blue iron enterprise co.,limited N0.3. Xi Da StreetLin Village, Tang Xia Town, Dong Guan City, Guang Dong Province
Modelaanduiding	BI12T-120100-I
Ingangsspanning	120-240V
Ingangsfrequentie AC	50-60Hz
Uitgangsspanning	DC 12V
Uitgangsstroom	0.5A
Uitgang	12W
Gemiddelde actieve efficiëntie	74.96%
Efficiëntie bij lage belasting (10%)	70.76%
Verbruik onbelast vermogen	0.07

Garantie

Lenco biedt service en garantie aan overeenkomstig met de Europese wetgeving. Dit houdt in dat u, in het geval van reparaties (zowel tijdens als na de garantieperiode), uw lokale handelaar moet contacteren.

Belangrijke opmerking: Het is niet mogelijk om producten die moeten worden gerepareerd rechtstreeks naar Lenco te sturen.

Belangrijke opmerking: De garantie verloopt als een onofficieel servicecenter het apparaat op wat voor manier dan ook heeft geopend, of er toegang toe heeft gekregen.

Het apparaat is niet geschikt voor professioneel gebruik. In het geval van professioneel gebruik worden alle garantieverplichtingen van de fabrikant nietig verklaard.

Disclaimer

Er worden regelmatig updates in de firmware en/of hardwarecomponenten gemaakt. Daardoor kunnen gedeelten van de instructie, de specificaties en afbeeldingen in deze documentatie enigszins verschillen van uw eigen situatie. Alle onderwerpen die staan beschreven in deze handleiding zijn bedoeld als illustratie en zijn niet van toepassing op specifieke situaties. Aan de beschrijving in dit document kunnen geen rechten worden ontleend.

Afvoer van het oude apparaat



Dit symbool geeft aan dat het betreffende elektrische product of de accu/batterij niet mag worden verwijderd als algemeen huishoudelijk afval in Europa. Zorg voor een juiste afvalverwerking door het product en de accu/batterij in overeenstemming met alle van toepassing zijnde lokale wetten voor het verwijderen van elektrische apparatuur of accu's/batterijen te verwijderen. Als u dit doet, helpt u de natuurlijke hulpbronnen te behouden en de standaard van milieubescherming te verbeteren bij de behandeling en verwijdering van elektrisch afval (Afgedankte Elektrische en Elektronische Apparatuur).

CE-markering

Lenco Benelux B.V., Thermiekstraat 1a, 6361 HB Nuth, Nederland, verklaart hierbij dat dit product voldoet aan de vereisten van de essentiële EU-richtlijnen. De conformiteitsverklaring kan worden opgevraagd via techdoc@commaxgroup.com



Service

Bezoek voor meer informatie en helpdeskondersteuning www.lenco.com

Lenco Benelux BV, Thermiekstraat 1a, 6361 HB, Nederland.

ACHTUNG:

Eine andere als die hier beschriebene Bedienung, Einstellung oder Verwendung der Funktionen kann zu gefährlicher Strahlenbelastung führen.

VORSICHTSMASSNAHMEN VOR DER BENUTZUNG**BEFOLGEN SIE IMMER FOLGENDE ANWEISUNGEN:**

1. Blockieren oder bedecken Sie keine Lüftungsöffnungen. Wenn Sie das Gerät auf ein Regal stellen, lassen Sie um das gesamte Gerät 5 cm (2") freien Platz.
2. Stellen Sie das Gerät entsprechend den Anweisungen der mitgelieferten Bedienungsanleitung auf.
3. Halten Sie das Gerät von Hitzequellen wie Radiatoren, Heizern, Öfen, Kerzen oder anderen hitzeerzeugenden Produkten oder offenen Flammen fern. Das Gerät darf nur bei gemäßigttem Klima verwendet werden. Sehr kalte oder heiße Umgebungen sind zu vermeiden. Der Betriebstemperaturbereich liegt zwischen 0 °C und 35 °C.
4. Meiden Sie bei der Nutzung des Produkts die Nähe starker Magnetfelder.
5. Elektrostatische Entladungen können die normale Verwendung von diesem Gerät stören. Sollte dies geschehen, führen Sie einfach einen Reset aus und starten Sie dann das Gerät entsprechend den Anweisungen dieser Bedienungsanleitung neu. Gehen Sie besonders bei Datenübertragungen mit dem Gerät vorsichtig um und führen Sie diese nur in einer antielektrostatischen Umgebung aus.
6. Warnung! Niemals Gegenstände durch die Lüftungsschlitze oder Öffnungen in das Gerät stecken. In diesem Gerät fließt Hochspannung und das Hineinstecken von Gegenständen kann zu elektrischem Schock und/oder Kurzschluss interner elektrischer Bauteile führen. Aus dem gleichen Grund kein Wasser oder Flüssigkeiten in das Gerät geben.
7. Benutzen Sie das Gerät nicht in nasser oder feuchter Umgebung wie Bad, Dampfküche oder in der Nähe von Schwimmbecken.
8. Das Gerät darf weder Tropf- noch Spritzwasser ausgesetzt werden und es dürfen keine mit Flüssigkeit gefüllten Behälter wie z.B. Vasen auf das Gerät oder in der Nähe des Gerätes gestellt werden.
9. Benutzen Sie das Gerät nicht bei Kondensationsgefahr. Wenn Sie das Gerät in einem warmen feuchten Raum benutzen, dann können sich im Inneren des Geräts Wassertropfen oder Kondensationen bilden und zu Fehlfunktionen des Geräts führen. Schalten Sie in diesem Fall das Gerät für 1 – 2 Stunden aus, bevor Sie es erneut einschalten: Das Gerät sollte vollständig getrocknet sein, wenn Sie es wieder einschalten.
10. Obwohl dieses Gerät unter größter Sorgfalt und vor Auslieferung mehrmals überprüft wurde, können trotzdem wie bei jedem anderen elektrischen Gerät auch Probleme auftauchen. Trennen Sie das Gerät im Falle einer Rauchentwicklung, starker Hitzeentwicklung oder jeden anderen unnatürlichen Erscheinung sofort vom Netz.
11. Dieses Gerät ist durch eine Stromquelle wie auf dem Typenschild angegeben zu betreiben. Halten Sie bei Unsicherheiten über die Art Ihrer Stromversorgung in Ihrer Wohnung Rücksprache mit Ihrem Händler oder Ihrer Stromzuliefererfirma.
12. Halten Sie es von Haustieren fern. Einige Nagetiere lieben es, an Netzkabeln zu nagen.
13. Benutzen Sie für die Reinigung ein weiches und trockenes Tuch. Benutzen Sie niemals Lösungsmittel oder Flüssigkeiten auf Ölbasis. Benutzen Sie zum Entfernen hartnäckiger Flecken ein feuchtes Tuch mit mildem Reinigungsmittel.
14. Der Hersteller haftet nicht für Schäden oder Verluste durch Fehlfunktion, Zweckentfremdung oder Modifikation des Geräts oder durch Wechseln der Batterien.
15. Unterbrechen Sie die Verbindung nicht während einer Formatierung oder einer Datenübertragung. Bei Unterbrechung drohen Datenverlust und Datenbeschädigung.
16. Wenn das Gerät eine USB-Wiedergabefunktion besitzt, dann stecken Sie den USB-Stick direkt in das Gerät. Verwenden Sie kein USB-Verlängerungskabel, weil die erhöhte Störungsanfälligkeit zu Datenverlust führen könnte.
17. Das Typenschild befindet sich an der Unter- oder Rückseite des Geräts.
18. Dieses Gerät ist nicht zur Benutzung durch Personen (einschließlich Kinder) mit physischen, sensorischen oder mentalen Beeinträchtigungen oder ohne ausreichender Erfahrung vorgesehen, es sei denn, sie werden durch eine verantwortliche Person beaufsichtigt oder wurden in die ordnungsgemäße Bedienung des Gerätes durch eine für ihre Sicherheit verantwortliche Person eingewiesen.
19. Dieses Produkt ist nur für den nicht-professionellen Gebrauch und nicht für gewerbliche oder industrielle Zwecke bestimmt.
20. Stellen Sie sicher, dass das Gerät in einer stabilen Position aufgestellt ist. Schäden aufgrund Verwendung dieses Produkts in einer instabilen Position, Vibrationen, Stöße oder Nichtbeachtung der anderen in dieser

Bedienungsanleitung enthaltenen Warnungen und Sicherheitshinweise werden nicht durch die Garantie abgedeckt.

21. Entfernen Sie niemals das Gehäuse dieses Produkts.
22. Stellen Sie das Produkt niemals auf andere elektrische Geräte.
23. Halten Sie Kinder von den Plastiktüten fern.
24. Benutzen Sie nur vom Hersteller spezifizierte Erweiterungen/Zubehörteile.
25. Lassen Sie alle Eingriffe von qualifiziertem Servicepersonal ausführen. Eingriffe werden notwendig, wenn das Gerät auf irgendeine Weise wie beispielsweise am Netzkabel oder am Netzstecker beschädigt wurde, Flüssigkeit in das Gerät eingedrungen ist, Gegenstände in das Gerät gefallen sind, das Gerät Regen oder Feuchtigkeit ausgesetzt war, es heruntergefallen ist oder nicht ordnungsgemäß funktioniert.
26. Langes Hören lauter Töne aus einem Musikgerät kann zum zeitweiligen oder permanenten Hörverlust führen.
27. Wenn zum Lieferumfang des Produkts ein Netzkabel oder ein Netzadapter gehört:
 - Wenn irgendwelche Probleme auftreten, dann ziehen Sie den Netzstecker aus der Netzsteckdose und setzen Sie sich anschließend mit einer qualifizierten Fachkraft in Verbindung.
 - Treten Sie nicht auf das Netzteil und klemmen Sie es auch nicht ein. Geben Sie besonders im näheren Bereich des Steckers und der Stelle acht, wo das Kabel aus dem Gerät herausgeführt wird. Stellen Sie keine schweren Gegenstände auf das Netzteil, weil es dadurch beschädigt werden könnte. Halten Sie das gesamte Gerät außerhalb der Reichweite von Kindern! Durch Spielen mit dem Netzkabel können sie sich ernsthafte Verletzungen zuziehen.
 - Trennen Sie das Gerät während eines Gewitters oder bei längerer Nichtbenutzung vom Netz.
 - Die Wandsteckdose muss sich in der Nähe des Geräts befinden und einfach zu erreichen sein.
 - Steckdosen und Verlängerungsleitungen nicht überlasten. Eine Überlastung kann zu Brandgefahr bzw. Stromschlag führen.
 - Geräte der Schutzklasse 1 sind an eine Netzsteckdose mit Schutzleiter anzuschließen.
 - Geräte der Schutzklasse 2 benötigen keinen Schutzleiteranschluss.
 - Halten Sie den Netzstecker in der Hand, wenn Sie ihn aus der Netzsteckdose ziehen. Ziehen Sie ihn nicht durch Zerren am Kabel heraus. Das kann zu einem Kurzschluss führen.
 - Verwenden Sie weder ein beschädigtes Netzkabel noch einen beschädigten Stecker oder eine lockere Steckdose. Es besteht Brand- und Stromschlaggefahr.
28. Wenn das Produkt mit einer Fernbedienung mit Batterien/Knopfzellen geliefert wird oder das Produkt eine derartige Fernbedienung umfasst:

Warnung:

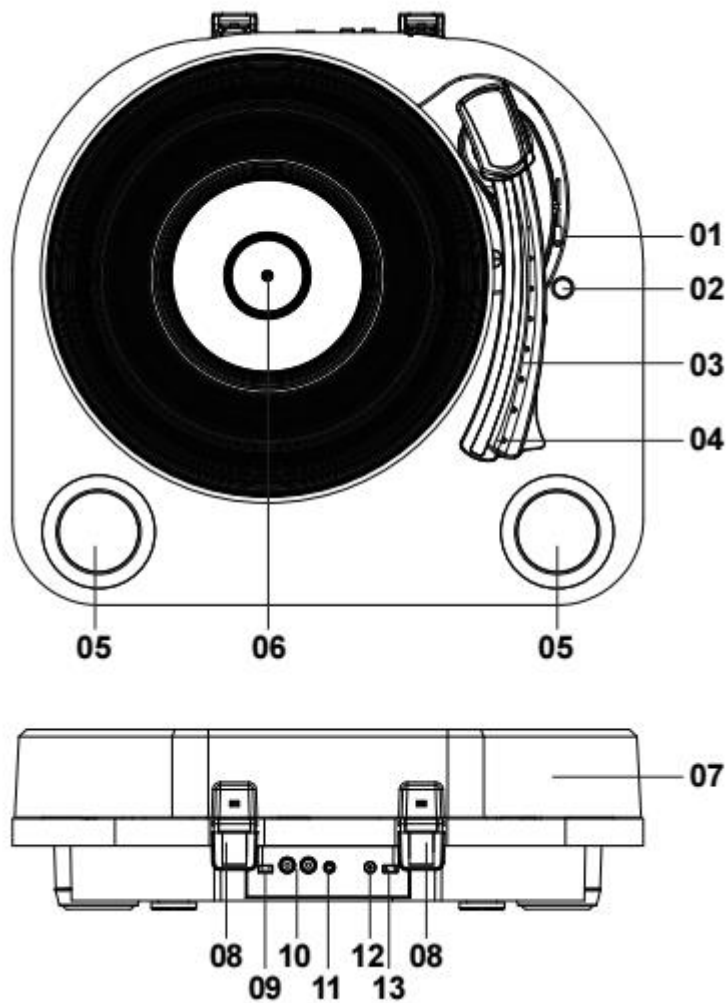
 - „Die Batterie nicht einnehmen, er besteht Verätzungsgefahr“.
 - [Die mit diesem Produkt mitgelieferte Fernbedienung] enthält eine Knopfzelle. Das Verschlucken der Batterie kann innerhalb von nur 2 Stunden zu schwersten inneren Verbrennungen mit Todesfolge führen.
 - Halten Sie neue und gebrauchte Batterien von Kindern fern.
 - Verwenden Sie dieses Produkt nicht weiter und halten Sie es von Kindern fern, wenn das Batteriefach nicht sicher schließt.
 - Suchen Sie umgehend ärztliche Hilfe auf, wenn Sie vermuten, dass Batterien verschluckt oder in Körperöffnungen eingeführt wurden.
29. Warnhinweise bzgl. der Verwendung von Batterien:
 - Es besteht Explosionsgefahr, wenn die Batterien nicht korrekt eingelegt werden. Nur mit Batterien des gleichen oder entsprechenden Typs ersetzen.
 - Die Batterie darf während der Benutzung, Aufbewahrung oder des Transports weder sehr hohen oder sehr niedrigen Temperaturen noch niedrigem Luftdruck in großen Höhenlagen ausgesetzt werden.
 - Die Ersetzung der Batterie mit einem falschen Batterietyp kann zum Explodieren der Batterie oder dem Auslaufen von entflammbarem Gas oder entflammbarer Flüssigkeit aus der Batterie führen.
 - Die Entsorgung der Batterie in Feuer oder einem heißen Ofen oder das mechanische Zerkleinern oder Zerteilen der Batterie kann zu Explosionen führen.
 - Das Verbleiben der Batterie in einer Umgebung mit sehr hohen Temperaturen kann zum Explodieren der Batterie oder dem Auslaufen von entflammbarem Gas oder entflammbarer Flüssigkeit führen.
 - Eine einem sehr niedrigen Luftdruck ausgesetzte Batterie kann explodieren oder es kann aus einer einem sehr niedrigen Luftdruck ausgesetzten Batterie entflammbares Gas oder entflammbare Flüssigkeit auslaufen.
 - Achten Sie auf den ökologischen Aspekt der Batterieentsorgung zu legen.

ANSCHLUSS

- Packen Sie alle Teile aus und entfernen Sie danach die Schutzmaterialien.
- Schließen Sie das Gerät nicht eher an das Netz an, bevor Sie die Netzspannung überprüft haben und alle anderen notwendigen Verbindungen hergestellt sind.

***Diese Anleitung gilt nur für Produkte, die über ein Netzkabel oder einen Netzadapter verfügen.**

1. PLATTENSPIELERBESTANDTEILE:



1. Hebel Tonarmlift
2. Ein-/Ausschalten und Lautstärkeregelungsschalter
3. Tonarm
4. Tonkopf mit Tonnadel
5. Lautsprecher
6. Plattenteller
7. Abnehmbarer Staubschutz
8. Scharnier
9. Schalter automatische Abschaltsteuerung
10. Cinch-Ausgänge
11. 3,5mm Aux-in-Buchse
12. Netzadapterbuchse
13. Drehzahlwahlschalter

2. Eine Schallplatte anhören

1. Nehmen Sie den Staubschutz ab.
2. Drehen Sie den Ein-/Aus-Lautstärkeregelungsschalter im Uhrzeigersinn, um das Gerät einzuschalten.

3. Legen Sie eine Schallplatte auf den Plattenteller. Stellen Sie die für die Schallplatte passende Plattenteller-Drehzahl ein.

Hinweis: Wenn Sie Singles (45-U/min-Schallplatten) und/oder Schallplatten mit großem Mittelloch wiedergeben möchten, dann verwenden Sie einen Puck (45-U/min-Adapter).

4. Entfernen Sie die Schutzabdeckung von der Nadeplatrone und lösen Sie den Tonarm von der Tonarmstütze.

5. Schieben Sie den Tonarm nach hinten. Der Tonarm wird langsam angehoben.

6. Bewegen Sie den Tonarm langsam zu der gewünschten Position auf der Schallplatte. Wenn die automatische Stoppfunktion eingeschaltet ist, beginnt sich die Platte des Turntable zu drehen.

7. Lösen Sie den Tonarm am Turntable, indem Sie den Tonarm nach vorne drücken, der Tonarm bewegt sich zur Schallplatte und beginnt, die Musik wiederzugeben.

Wenn die Schallplatte bis zu Ende wiedergegeben wurde und der Schalter der automatischen Abschaltsteuerung auf EIN steht, dann stoppt die Schallplatte automatisch. Wenn der automatische Stopp-Kontroll-Schalter AUS geschaltet ist, stoppt die Schallplatte NICHT automatisch, wenn sie fertig abgespielt ist; Sie müssen den Hubhebel nach hinten drücken, um den Tonarm anzuheben und auf die Tonarmstütze zurückzulegen. Schalten Sie das Gerät ab, damit sich der Turntable nicht weiter dreht.

Bitte beachten Sie: Die automatische Stoppfunktion gilt für die meisten 33RPM Vinylschallplatten. Dennoch stoppen einige Vinylschallplatten bevor sie zu Ende abgespielt sind oder sie stoppen nicht, wenn sie zu Ende abgespielt sind.

3. RCA Anschluss

Schließen Sie die RCA Ausgangsbuchse mit dem RCA Kabel (nicht im Lieferumfang enthalten) an ein externes Lautsprechersystem an (Line in), um die Musik von den Vinylschallplatten über Ihr Lautsprechersystem zu genießen.

4. ERSETZEN DER TONNADEL

Folgen Sie für das Ersetzen der Tonnadel der nachfolgenden Anleitung.

Entnehmen der Tonnadel aus dem Tonkopf

1. Setzen Sie einen Schraubendreher an der Spitze des Tonnadelträgers an. Drücken Sie dann in die Richtung wie in Abb. „A“ gezeigt nach unten.
2. Entnehmen Sie danach den Tonnadelträger, indem Sie ihn nach vorne ziehen und nach unten drücken.

Einsetzen der Tonnadel

1. Halten Sie den Tonnadelträger vorn fest. Setzen Sie ihn ein, indem Sie ihn in die Richtung drücken, wie es in Abb. „B“ gezeigt wird.



EN	DE
Guide Pins (inside)	Führungsstifte (innen)

2. Drücken Sie den Tonnadelträger solange wie in Abb. „C“ gezeigt nach oben, bis die Tonnadel ordnungsgemäß einrastet.

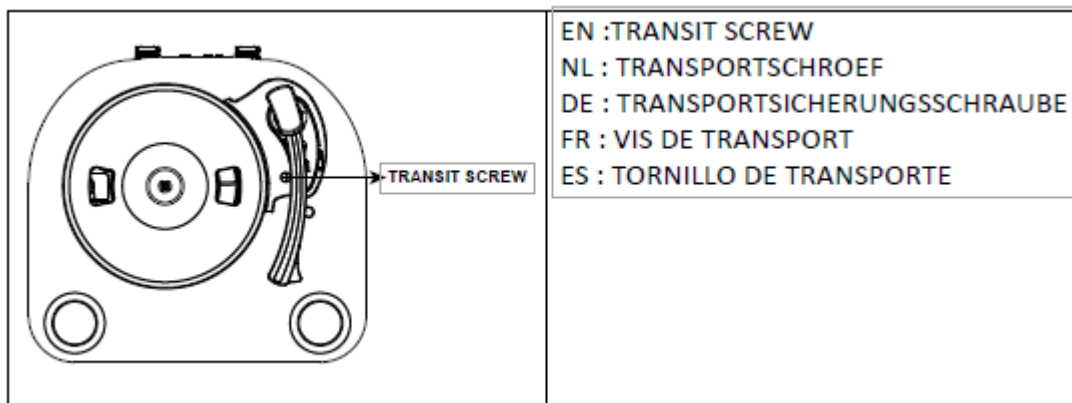
5. AUX-IN (3,5mm Klinkenstecker)

Sie können über die 3,5-mm-AUX-Eingangsbuchse eine externe (zusätzliche) Audioquelle (d. h. PC-CD/MP3-Player/Mobiltelefon oder Computer) an dieses Gerät anschließen.

1. Stecken Sie hierfür ein abziehbares AUX-Kabel (nicht im Lieferumfang enthalten) in die 3,5-mm-AUX-Eingangsbuchse auf der Rückseite des Geräts.
2. Stecken Sie das andere Ende des AUX-Kabels in die Kopfhörer- oder LINE-Ausgangsbuchse Ihrer externen Audioquelle.
3. Schalten Sie das Gerät ein, indem Sie den Lautstärkereglern in Uhrzeigersinn drehen.
4. Drehen Sie am Lautstärkereglern, um den Audio-Lautstärkepegel einzustellen.

Hinweis: Dieses Gerät erfüllt die ERP2 Regelung. Daher schaltet der Lenco LS-40 auf Standby-Betrieb, wenn während 20 Minuten kein Audio-Signal (Schallplatte oder **AUX-IN**) abgegeben wird. Schalten Sie das Gerät ein, um es erneut zu starten.

Der Plattenteller wurde für den Transport mit einer Transportsicherungsschraube gesichert. Drehen Sie diese Transportsicherungsschraube mit Hilfe einer Münze oder eines Schraubendrehers in Uhrzeigersinn. Danach kann sich der Plattenteller drehen. Vergessen Sie bitte nicht, den Plattenteller durch Drehen der Transportsicherungsschraube gegen den Uhrzeigersinn vor einem erneuten Transport zu sichern.



Lenco	
Plattenteller	LS-40
Ausführung	Riemengetrieben, voll manuell
Antriebsmotor	Gleichstrommotor
Umdrehungen	33 1/3 U/Min., 45 U/Min.
Gleichlaufschwankung	≤ 0,35 %
Plattenteller	253mm
Tonabnehmer	
Ausführung	N-10/Keramikkartusche 402-M208-015
Tonnadel	0,7-µm-Diamant
Empfohlene Auflagekraft	4 – 6 g
Ausgang	160 – 380 mV (HP-4005)
Frequenzgang	-28 dB (10 kHz)
Kanaltrennung	10 dB (1 kHz)
Signal-Rauschabstand (S/N)	40 dB
Allgemeines	
Adapter	Eingang 100 – 240 V~/50/60Hz/0,5A DC-Ausgang 12V-1A
Produkt	DC12V-1A
Audio-Ausgang (Line Out)	400 – 600 mV
Leistungsaufnahme	10W
Abmessung	420x375x120mm
Gewicht	ca. 3,29 kg LS-40WD
Gewicht	ca. 3,28 kg LS-40BK

Netzteil

Hersteller: Blue Iron

Modellnummer: BI12T-120100-I

Verwenden Sie nur die im Handbuch angegebene Stromversorgung.

Informationen	Wert und Genauigkeit
Name des Herstellers oder der Handelsmarke, kommerzielle Zulassung und Anschrift	Dong guan blue iron enterprise co,.limited N0.3. Xi Da StreetLin Village, Tang Xia Town, Dong Guan City, Guang Dong Province
Modellidentifikator	BI12T-120100-I
Eingangsspannung	120-240V
Wechselstromfrequenz des AC-Eingangs	50-60Hz
Ausgangsspannung	DC 12V
Ausgangsstrom	0.5A
Ausgangsleistung	12W
Durchschnittliche Effizienz bei Normallast	74.96%
Effizienz bei Niederlast (10 %)	70.76%
Leistungsaufnahme bei Nulllast	0.07

Garantie

Lenco bietet Leistungen und Garantien im Einklang mit Europäischem Recht. Im Falle von Reparaturen (sowohl während als auch nach Ablauf der Garantiezeit) sollten Sie deshalb Ihren Einzelhändler kontaktieren.

Wichtiger Hinweis: Es ist nicht möglich, Geräte für Reparaturen direkt an Lenco zu schicken.

Wichtiger Hinweis: Falls dieses Gerät von einem nicht autorisierten Kundendienst geöffnet oder darauf zugegriffen wird, erlischt die Garantie.

Dieses Gerät ist nicht für professionelle Zwecke geeignet. Falls das Gerät für professionelle Zwecke eingesetzt wird, erlöschen alle Garantieverpflichtungen seitens des Herstellers.

Haftungsausschluss

Aktualisierungen der Firmware und/oder Hardware-Komponenten werden regelmäßig durchgeführt. Daher können einige der Anweisungen, Spezifikationen und Abbildungen in dieser Dokumentation von Ihrer individuellen Situation abweichen. Alle in diesem Handbuch beschriebenen Elemente dienen nur zur Illustration und treffen auf Ihre individuelle Situation möglicherweise nicht zu. Aus der in diesem Handbuch getätigten Beschreibung können keine Rechtsansprüche oder Leistungsanforderungen geltend gemacht werden.

Entsorgung des Altgeräts



Dieses Symbol zeigt an, dass das entsprechende Produkt oder dessen Akku/Batterie in Europa nicht mit dem normalen Hausmüll entsorgt werden darf. Um die ordnungsgemäße Abfallbehandlung des Produkts und dessen Akku/Batterie zu gewährleisten, müssen diese im Einklang mit allen anwendbaren örtlichen Vorschriften zur Entsorgung von Elektrogeräten und Akkus/Batterien entsorgt werden. Dabei helfen Sie, natürliche Ressourcen zu schonen und Umweltschutzstandards zur Verwertung und Entsorgung von Altgeräten aufrecht zu halten (Waste Electrical and Electronic Equipment Directive).



CE-Kennzeichen

Hiermit erklärt Lenco Benelux B.V., Thermiekstraat 1a, 6361 HB Nuth, The Netherlands, dass dieses Produkt den grundsätzlichen Anforderungen der EU-Richtlinie entspricht. Die Konformitätserklärung ist erhältlich unter techdoc@commaxxgroup.com



Service

Besuchen Sie bitte für weitere Informationen und unseren Kundendienst unsere Homepage www.lenco.com
Lenco Benelux BV, Thermiekstraat 1a, 6361 HB, Die Niederlande.

ATTENTION :

L'utilisation de commandes ou d'ajustements ou l'exécution de procédures autres que celles spécifiées dans le présent document peuvent entraîner une exposition dangereuse aux radiations.

PRÉCAUTIONS AVANT UTILISATION**GARDEZ CES INSTRUCTIONS À L'ESPRIT :**

1. Ne couvrez pas et n'obtenez pas les ouvertures de ventilation. Lorsque vous placez l'appareil sur une étagère, laissez 5 cm (2") d'espace libre tout autour de l'appareil.
2. Installez-le conformément au mode d'emploi fourni.
3. Gardez l'appareil à l'écart des sources de chaleur telles que des radiateurs, appareils de chauffage, fours, bougies et autres produits générant de la chaleur ou une flamme nue. L'appareil ne peut être utilisé que dans des climats modérés. Les environnements extrêmement froids ou chauds doivent être évités. La plage de température de fonctionnement se situe entre 0° et 35° C.
4. Évitez d'utiliser l'appareil à proximité de champs magnétiques puissants.
5. Des décharges électrostatiques peuvent perturber le fonctionnement de cet appareil. Dans ce cas, il suffit de réinitialiser et de redémarrer l'appareil en suivant le mode d'emploi. Pendant le transfert de fichiers, manipulez l'appareil avec précaution et faites-le fonctionner dans un environnement sans électricité statique.
6. Mise en garde ! N'introduisez jamais un objet dans l'appareil par les ouvertures et les fentes de ventilation. Étant donné que des tensions élevées sont présentes à l'intérieur du produit, l'insertion d'un objet peut entraîner une électrocution et/ou court-circuiter les composants internes. Pour les mêmes raisons, ne versez pas de l'eau ou un liquide sur le produit.
7. Ne l'utilisez pas dans des endroits humides tels qu'une salle de bain, une cuisine pleine de vapeur ou à proximité d'une piscine.
8. L'appareil ne doit pas être exposé à des écoulements ou des éclaboussures et aucun objet contenant un liquide, tel qu'un vase, ne doit être posé sur ou près de l'appareil.
9. N'utilisez pas cet appareil lorsque de la condensation est possible. Lorsque l'appareil est utilisé dans une pièce humide et chaude, des gouttelettes d'eau ou de la condensation peuvent se former à l'intérieur de l'appareil et affecter son fonctionnement. Laissez l'appareil hors tension pendant 1 ou 2 heures avant de le mettre en marche : l'appareil doit être sec avant sa mise sous tension.
10. Bien que ce dispositif soit fabriqué avec le plus grand soin et contrôlé à plusieurs reprises avant de quitter l'usine, des problèmes peuvent néanmoins survenir, comme avec tous les appareils électriques. Si l'appareil émet de la fumée ou en cas d'accumulation excessive de la chaleur ou d'un phénomène inattendu, débranchez immédiatement la fiche d'alimentation du secteur.
11. Cet appareil doit fonctionner avec la source d'alimentation indiquée sur la plaque signalétique. Si vous n'êtes pas sûr du type d'alimentation utilisé chez vous, contactez votre revendeur ou le fournisseur local d'électricité.
12. Tenez l'appareil à l'abri des animaux. Certains animaux aiment ronger les cordons électriques.
13. Pour nettoyer l'appareil, servez-vous d'un chiffon doux et sec. N'utilisez pas de solvant ni d'autre liquide à base de pétrole. Pour enlever les taches importantes, vous pouvez vous servir d'un chiffon humide imbibé d'une solution de détergent diluée.
14. Le fournisseur n'est pas responsable des dommages ou pertes de données causés par un dysfonctionnement, une utilisation abusive, une modification de l'appareil ou un remplacement de la batterie.
15. N'interrompez pas la connexion lorsque l'appareil formate ou transfère des fichiers. Dans le cas contraire, les données pourraient être endommagées ou perdues.
16. Si l'appareil a une fonction de lecture USB, il faut brancher la clé USB directement sur l'appareil. N'utilisez pas un câble d'extension USB, car cela peut causer des interférences entraînant des pertes de données.
17. L'étiquette de classification se trouve sur le panneau inférieur ou arrière de l'appareil.
18. Cet appareil ne doit pas être utilisé par des personnes (y compris les enfants) souffrant de déficiences physiques, sensorielles ou mentales, ou d'un manque d'expérience et de connaissances, à moins qu'elles n'aient été supervisées ou qu'une personne responsable de leur sécurité ne leur ait donné des instructions sur l'utilisation correcte de l'appareil.
19. Ce produit est réservé à un usage non professionnel, et non pas à un usage commercial ni industriel.
20. Vérifiez que l'appareil est en position stable. La garantie ne couvre pas les dégâts occasionnés par l'utilisation de cet appareil en position instable, par les vibrations, les chocs ou par la non-observation de tout autre avertissement ou précaution contenus dans ce mode d'emploi.
21. N'ouvrez jamais cet appareil.

22. Ne placez jamais cet appareil sur un autre appareil électrique.
23. Ne laissez pas les sacs en plastique à la portée des enfants.
24. Utilisez uniquement les accessoires recommandés par le fabricant.
25. Confiez l'entretien et les réparations à un personnel qualifié. Une réparation est nécessaire lorsque l'appareil a été endommagé de quelque façon que ce soit, par exemple lorsque le cordon d'alimentation ou la prise sont endommagés, lorsqu'un liquide s'est déversé ou des objets sont tombés sur l'appareil, lorsque l'appareil a été exposé à la pluie ou à l'humidité, lorsqu'il ne fonctionne pas correctement ou est tombé.
26. Une exposition prolongée à la musique avec un volume élevé peut entraîner une perte auditive temporaire ou permanente.
27. Si l'appareil est livré avec un câble d'alimentation ou un adaptateur secteur :
 - En cas de problème, débranchez le cordon d'alimentation CA et confiez l'entretien à un personnel qualifié.
 - Ne marchez pas sur l'adaptateur secteur ou ne le coincez pas. Faites très attention, en particulier à proximité des fiches et du point de sortie du câble. Ne placez pas d'objets lourds sur l'adaptateur secteur, car ils pourraient l'endommager. Gardez l'appareil hors de portée des enfants ! Ils pourraient se blesser gravement s'ils jouent avec le câble d'alimentation.
 - Débranchez cet appareil pendant les orages ou lorsqu'il n'est pas utilisé pendant une longue durée.
 - La prise secteur doit être installée près de l'appareil et doit être facilement accessible.
 - Ne surchargez pas les prises de courant ou les rallonges. Une surcharge peut entraîner un incendie ou une électrocution.
 - Les appareils de classe 1 doivent être branchés à une prise de courant disposant d'une connexion protectrice à la terre.
 - Les appareils à la norme de construction de classe 2 ne nécessitent pas de connexion à la terre.
 - Tirez toujours sur la fiche pour débrancher le cordon de la prise secteur. Ne tirez pas sur le cordon d'alimentation. Cela pourrait provoquer un court-circuit.
 - N'utilisez pas un cordon ou une fiche d'alimentation endommagé ni une prise desserrée. Vous courez un risque d'incendie ou de décharge électrique.
28. Si le produit contient ou est livré avec une télécommande contenant des piles boutons :

Avertissement :

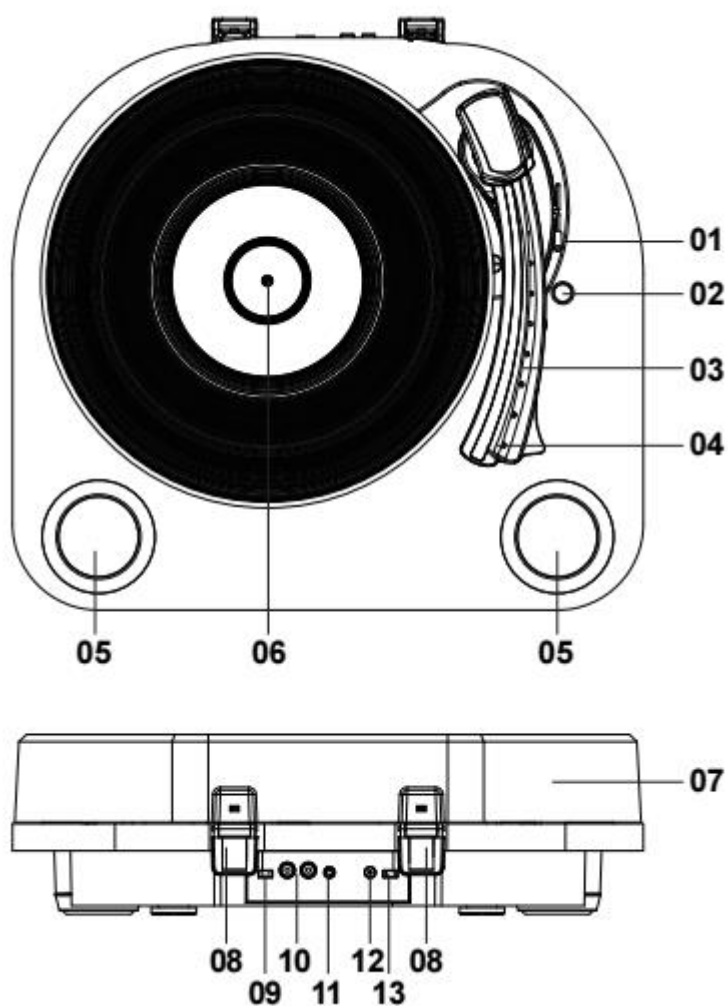
 - « N'ingérez pas la pile, car vous risquez une brûlure chimique » ou une formule équivalente.
 - La télécommande fournie contient une pile bouton/pièce de monnaie. Si la pile est avalée, elle peut causer de graves brûlures internes en seulement 2 heures et peut entraîner la mort.
 - Tenez les piles neuves et usagées hors de portée des enfants.
 - Si le compartiment à piles ne se ferme pas correctement, cessez d'utiliser l'appareil et tenez-le hors de portée des enfants.
 - Si vous pensez que les piles ont été avalées ou placées à l'intérieur d'une partie du corps, consultez un médecin immédiatement.
29. Mise en garde relative à l'utilisation des piles :
 - Risque d'explosion si la pile est mal remplacée. Remplacez les piles par des piles d'un type identique ou équivalent.
 - Pendant l'utilisation, le stockage ou le transport, la pile ne doit pas être soumise à des températures extrêmement élevées ou basses, à une faible pression d'air à haute altitude.
 - Le remplacement d'une pile par une autre de type incorrect peut entraîner une explosion ou une fuite de liquide ou de gaz inflammable.
 - L'introduction d'une pile dans le feu ou dans un four chaud, l'écrasement ou le découpage mécanique peut entraîner une explosion.
 - L'exposition d'une pile dans un environnement à température extrêmement élevée peut entraîner une explosion ou une fuite de liquide ou de gaz inflammable.
 - L'exposition d'une pile à une pression d'air extrêmement basse peut entraîner une explosion ou une fuite de liquide ou de gaz inflammable.
 - Veuillez considérer les questions environnementales lors de la mise au rebut des piles.

INSTALLATION

- Déballez toutes les pièces et enlevez le matériau de protection.
- Ne connectez pas l'unité au secteur avant d'avoir vérifié la tension du secteur et avant que toutes les autres connexions n'aient été effectuées.

***Ces instructions s'appliquent uniquement aux produits utilisant un câble d'alimentation ou un adaptateur secteur.**

1. PIÈCES DU TOURNE-DISQUE :



1. Levier de levage
2. Bouton marche/arrêt et de réglage de volume
3. Bras du tourne-disque
4. Photocapteur
5. Haut-parleurs
6. Diamètre de disque
7. Couvercle poussière amovible
8. Charnière
9. Interrupteur de commande d'arrêt automatique
10. Prise de sortie RCA
11. Prise d'entrée auxiliaire de 3,5 mm
12. Prise de l'adaptateur d'alimentation
13. Sélecteur de vitesse

2. Écouter un disque

1. Soulevez le couvercle poussière.
2. Tournez le bouton marche/arrêt et de réglage de volume dans le sens des aiguilles d'une montre pour allumer l'appareil.
3. Placez un disque sur le plateau du tourne-disque et réglez la vitesse du lecteur afin qu'elle corresponde à celle du disque.

Remarque : En lisant un single (45 tours) ou des disques avec un grand trou central, utilisez l'adaptateur de 45 tours.

4. Retirez le couvercle de protection de la cartouche d'aiguille et débloquez le bras de lecture du repose-bras.
5. Poussez le relève-bras en arrière. Le bras de lecture se soulève doucement.
6. Déplacez doucement le bras de lecture à la position souhaitée sur le disque. Si la fonction d'arrêt automatique est activée, le plateau du tourne-disque commence à tourner.
7. Relâchez le bras de lecture sur le tourne-disque en poussant le relève-bras vers l'avant, le bras de lecture se déplacera vers le disque et la musique commencera à jouer.

Si l'interrupteur de commande d'arrêt automatique est mis sur MARCHE, le disque s'arrêtera automatiquement quand il sera fini. Si la commande d'arrêt automatique est désactivée, le disque NE s'arrêtera PAS automatiquement quand il est terminé. Vous devez alors pousser le relève-bras vers l'arrière pour relever le bras de lecture et le replacer sur le repose-bras. Ensuite, coupez l'alimentation pour faire en sorte que le tourne-disque arrête de tourner.

Remarque : La fonction d'arrêt automatique s'applique à la plupart des disques 33 tours en vinyle. Cependant, pour un petit nombre de disques en vinyle, le tourne-disque s'arrêtera avant la fin ou ne s'arrêtera pas à la fin du disque.

3. Connexion RCA

Pour profiter de la musique des disques vinyle sur votre système d'enceintes, connectez-y la prise de sortie RCA (entrée ligne) avec le cordon RCA (non fourni).

4. COMMENT CHANGER LA TÊTE DE LECTURE

Pour changer la tête de lecture, consultez les instructions ci-dessous.

Démontage de la tête de lecture hors de la cartouche

1. Placez un tournevis au niveau de la pointe de l'enveloppe de la tête de lecture et poussez vers le bas dans le sens indiqué sur le schéma « A ».
2. Enlevez l'enveloppe de la tête de lecture en la tirant vers l'avant et en poussant vers le bas.

Insertion de la tête de lecture

1. Tenez la pointe de l'enveloppe de la tête de lecture et insérez-la en l'enfonçant dans le sens indiqué sur le schéma « B ».



EN	FR
Guide Pins (inside)	Tiges de guidage (internes)

2. Poussez l'enveloppe de la tête de lecture vers le haut dans le sens indiqué sur le schéma « C » jusqu'à ce que la tête de lecture se bloque dans la position de la pointe.

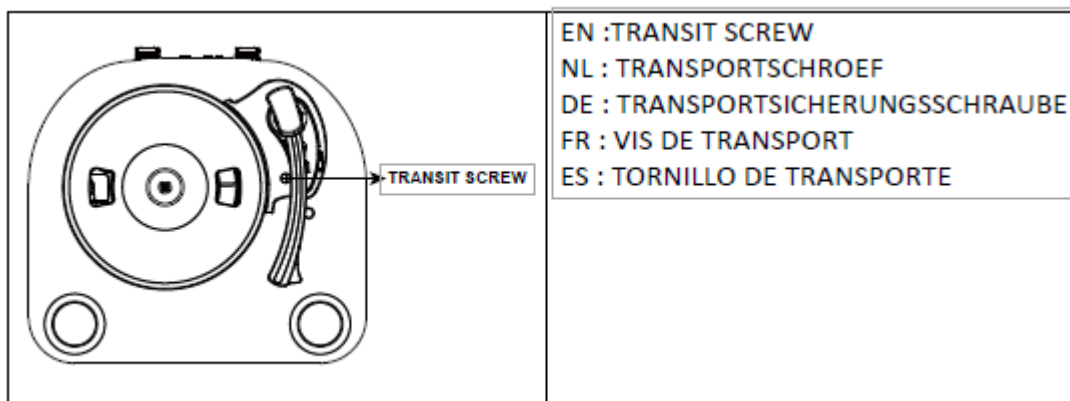
5. ENTRÉE AUX (prise de 3,5 mm)

Une source audio externe (auxiliaire) (c.-à-d. lecteur de CD/lecteur MP3/téléphone mobile ou ordinateur) peut être branchée à cet appareil via la prise d'entrée auxiliaire de 3,5 mm.

1. Branchez un câble auxiliaire amovible (non fourni) à la prise d'entrée auxiliaire de 3,5 mm située à l'arrière de l'appareil.
2. Branchez l'autre extrémité du câble auxiliaire à la prise casque ou la prise de sortie de ligne de votre source externe.
3. Mettez en marche l'appareil en tournant la molette de réglage du volume dans le sens des aiguilles d'une montre.
4. Tournez la molette de réglage du volume pour régler le niveau sonore.

Remarque : Cet appareil est conforme à la réglementation ERP2. Par conséquent, le Lenco LS-40 se met en veille lorsqu'il n'y a pas de signal audio (disque ou entrée AUX) pendant environ 20 minutes. Pour recommencer à l'utiliser, éteignez puis rallumez.

Le tourne-disque a été sécurisé pour le transport avec une vis de transport. Utilisez une pièce de monnaie ou un tournevis pour tourner la vis de transport dans le sens des aiguilles d'une montre. Ceci fera « flotter » le tourne-disque. Pour préparer l'appareil au transport, veillez à serrer cette vis de transport en la tournant dans le sens inverse des aiguilles d'une montre.



Lenco	
Tourne-disque	LS-40
Type	Entraînement par courroie, entièrement manuel
Moteur d'entraînement	Moteur CC
Vitesse	33 1/3 tr/min, 45 tr/min
Fluctuations de vitesse	≤0,35%
Diamètre de disque	253 mm
Cartouche	
Type	N-10/Cartouche céramique 402-M208-015
Pointe de lecture	0,7 mm
Force d'appui optimale	4 à 6 grammes
Sortie	160-380 mV (HP-4005)
Plage de fréquence	-28 dB (10 kHz)
Diaphonie	10 dB (1 kHz)
Rapport signal/bruit	40 dB
Caractéristiques Générales	
Adaptateur	Entrée : CA 100 à 240 V, ~ 50/60 Hz, 0,5 A
	Sortie 12 VCC - 1 A
Produit	12 VCC-1 A
Sortie audio (sortie ligne)	400 à 600 mV
Puissance consommée	10 W
Dimensions	420 x 375 x 120 mm
Poids	env. 3,29 KG LS-40WD
Poids	env. 3,28KG LS-40BK

Adaptateur de puissance

Fabricant : Blue Iron

Numéro du modèle : BI12T-120100-I

Utilisez uniquement l'alimentation électrique indiquée dans le mode d'emploi.

Informations	Valeur et précision
Nom ou marque du fabricant, enregistrement commercial et adresse	Dong guan blue iron enterprise co,.limited N0.3. Xi Da StreetLin Village, Tang Xia Town, Dong Guan City, Guang Dong Province
Référence du modèle	BI12T-120100-I
Tension d'entrée	120-240V
Fréquence du CA d'entrée	50-60Hz
Tension de sortie	DC 12V
Courant de sortie	0.5A
Puissance de sortie	12W
Rendement moyen en mode actif	74.96%
Rendement à faible charge (10 %)	70.76%
Consommation électrique sans charge	0.07

Garantie

Lenco propose un service et une garantie conformément à la législation européenne, ce qui signifie qu'en cas de besoin de réparation (aussi bien pendant et après la période de garantie), vous pouvez contacter votre revendeur le plus proche.

Remarque importante : Il n'est pas possible de renvoyer l'appareil pour réparation directement à Lenco.

Remarque importante : Si l'appareil est ouvert ou modifié de quelque manière que ce soit par un réparateur non agréé, la garantie serait caduque.

Cet appareil ne convient pas à une utilisation professionnelle. En cas d'utilisation professionnelle, les obligations de garantie du fabricant seront annulées.

Clause de non-responsabilité

Des mises à jour du logiciel et/ou des composants informatiques sont régulièrement effectuées. Il se peut donc que certaines instructions, caractéristiques et images présentes dans ce document diffèrent légèrement de votre configuration spécifique. Tous les articles décrits dans ce guide sont fournis uniquement à des fins d'illustration et peuvent ne pas s'appliquer à une configuration spécifique. Aucun droit légal ne peut être obtenu depuis les informations contenues dans ce manuel.

Mise au rebut de l'appareil usagé



Ce symbole indique que le produit électrique concerné ainsi que les piles ne doivent pas être jetés avec les autres déchets ménagers en Europe. Pour garantir un traitement correct des piles et de l'appareil usagés, veuillez les mettre au rebut conformément aux réglementations locales en vigueur relatives aux appareils électriques et autres piles. En agissant de la sorte, vous contribuerez à la préservation des ressources naturelles et à l'amélioration des niveaux de protection environnementale concernant le traitement et la destruction des déchets électriques (directive sur les déchets des équipements électriques et électroniques).

Marquage CE

Par la présente, Lenco Benelux B.V., Thermiekstraat 1a, 6361 HB Nuth, Pays-Bas, déclare que ce produit est conforme aux exigences principales des directives européennes. La déclaration de conformité peut être consultée au lien : techdoc@commaxxgroup.com



Service après-vente

Pour en savoir plus et obtenir de l'assistance, visitez www.lenco.com

Lenco Benelux BV, Thermiekstraat 1a, 6361 HB, Pays-Bas.

PRECAUCIÓN:

El uso de controles o ajustes o rendimiento de procedimientos excepto aquellos que los aquí especificados puede provocar una exposición peligrosa a la radiación.

PRECAUCIONES PREVIAS AL USO**TENGA ESTAS INSTRUCCIONES EN MENTE:**

1. No cubra o bloquee ninguna apertura de ventilación. Cuando coloque el dispositivo en una estantería, deje 5 cm (2") de espacio libre alrededor de todo el dispositivo.
2. Instálelo conforme al manual de usuario que se adjunta.
3. Mantenga el aparato alejado de fuentes de calor, como radiadores, calentadores, estufas, velas u otros productos que generen calor o llama viva. El aparato solo puede usarse en climas moderados. Se deben evitar los ambientes extremadamente fríos o cálidos. La gama de temperatura de funcionamiento es de entre 0° y 35°C.
4. Evite usar el dispositivo cerca de campos magnéticos fuertes.
5. Una descarga electrostática puede entorpecer el uso normal de este dispositivo. En tal caso, simplemente reinicielo siguiendo el manual de instrucciones. Durante la transmisión de archivos, por favor manéjelo con cuidado opérelolo en un entorno libre de electricidad estática.
6. ¡Advertencia! Nunca inserte un objeto en el producto a través de las ventilaciones o aperturas. Alto voltaje fluye a través del producto e insertar un objeto puede provocar una descarga eléctrica y/o un cortocircuito de sus componentes internos. Por el mismo motivo, no derrame agua o líquidos en el producto.
7. No lo utilice en zonas húmedas, como cuartos de baño, cocinas en las que se forme vapor ni cerca de piscinas.
8. El aparato no debe exponerse a goteos o salpicaduras y asegúrese de que se colocan sobre o cerca del aparato objetos llenos de líquidos, como jarrones.
9. No use este dispositivo cuando se pueda producir condensación. Cuando la unidad se usa en una sala húmeda cálida, se pueden formar gotitas de agua o condensación en el interior de la unidad y esta puede no funcionar adecuadamente; deje que la unidad se apague durante 1 o 2 horas antes de volver a encender la unidad: el aparato debe estar seco antes de conectarse a una fuente de alimentación.
10. Aunque este dispositivo está fabricado con el máximo cuidado y comprobado varias veces antes de salir de fábrica, todavía es posible que se puedan producir problemas, al igual que con todos los aparatos eléctricos. Si observa la aparición de humo, una acumulación excesiva de calor o cualquier otro fenómeno inesperado, deberá desconectar inmediatamente el enchufe de la toma de corriente.
11. Este dispositivo debe funcionar con una fuente de alimentación que se especifica en la etiqueta de especificaciones. Si no está seguro del tipo de alimentación que se usa en su hogar, consulte con el distribuidor o una compañía eléctrica local.
12. Manténgalo alejado de los animales. A algunos animales les encanta morder los cables de alimentación.
13. Para limpiar el dispositivo use un paño seco y suave. No utilice líquidos disolventes ni con base de petróleo. Para eliminar manchas difíciles, puede usar un paño húmedo con detergente diluido.
14. El proveedor no asume ninguna responsabilidad por daños o datos perdidos provocados por un funcionamiento incorrecto, uso incorrecto, modificación del dispositivo o sustitución de la batería.
15. No interrumpa la conexión cuando el dispositivo esté formateando o transfiriendo archivos. En caso contrario, los datos se pueden estropear o perder.
16. Si la unidad dispone de función de reproducción USB, se debe conectar la memoria USB directamente en la unidad. No utilice un cable de extensión USB ya que pueden crear interferencias que causen una pérdida de datos.
17. La etiqueta calificativa se encuentra en la parte inferior o en el panel posterior del aparato.
18. Este dispositivo no está diseñado para su uso por parte de personas (incluyendo niños) con discapacidad física, sensorial o mental o con falta de experiencia o conocimientos, salvo que se les haya dado supervisión o instrucciones acerca del uso correcto del dispositivo por parte de una persona responsable de su seguridad.
19. Este producto está diseñado para un uso no profesional únicamente y no para un uso comercial o industrial.
20. Asegúrese de que la unidad esté fijada en una posición estable. La garantía no cubrirá los daños derivados de usar este producto en una posición inestable, vibraciones o golpes o por no seguir otras advertencias o precauciones que aparecen en este manual de usuario.
21. Nunca retire la carcasa del dispositivo.
22. Nunca coloque este dispositivo sobre otro equipo eléctrico.
23. Mantenga las bolsas de plástico fuera del alcance de los niños.
24. Use únicamente los dispositivos/accesorios especificados por el fabricante.

25. Remita todas las reparaciones al personal cualificado. Es necesario el mantenimiento cuando el aparato presenta cualquier tipo de daño, por ejemplo, el cable de alimentación o el enchufe presentan daños; se ha vertido líquido sobre el aparato; se han caído objetos en el aparato; el aparato se ha expuesto a la lluvia o humedad; el aparato no funciona normalmente o se ha caído.
26. Una larga exposición a sonidos elevados de reproductores de música personales puede provocar una pérdida de audición temporal o permanente.
27. Si el producto viene con un cable de alimentación o un adaptador de corriente de CA:
 - Si se produce cualquier problema, desconecte el cable de alimentación CA y remítalo a mantenimiento por parte de personal cualificado.
 - No pise o pince el adaptador de alimentación. Tenga mucho cuidado, en especial en las zonas alrededor de las tomas y el punto de salida del cable. No coloque objetos pesados en el adaptador de alimentación, ya que pueden dañarlo. ¡Mantenga el dispositivo fuera del alcance de los niños! Si juegan con el cable de alimentación, puede sufrir lesiones graves.
 - Desconecte el dispositivo durante tormentas eléctricas o cuando no vaya a usarse durante periodos prolongados de tiempo.
 - La salida de la toma debe instalarse cerca del equipo y debe ser fácilmente accesible.
 - No sobrecargue las tomas CA o los cables de extensión. La sobrecarga puede provocar un incendio o una descarga eléctrica.
 - Los dispositivos con construcción de Clase 1 deben estar conectados a una toma de corriente con una conexión a tierra protegida.
 - Los dispositivos con construcción de Clase 2 no requieren una conexión a tierra.
 - Sujete siempre el enchufe cuando los extraiga de la toma de corriente. No tire del cable de alimentación. Esto puede provocar un cortocircuito.
 - No utilice un cable de alimentación o enchufe deteriorado o una toma suelta. Si lo hace, podría provocar un incendio o una descarga eléctrica.
28. Si el producto contiene o se entrega con un mando a distancia que contiene pilas de botón / celdas:

Advertencia:

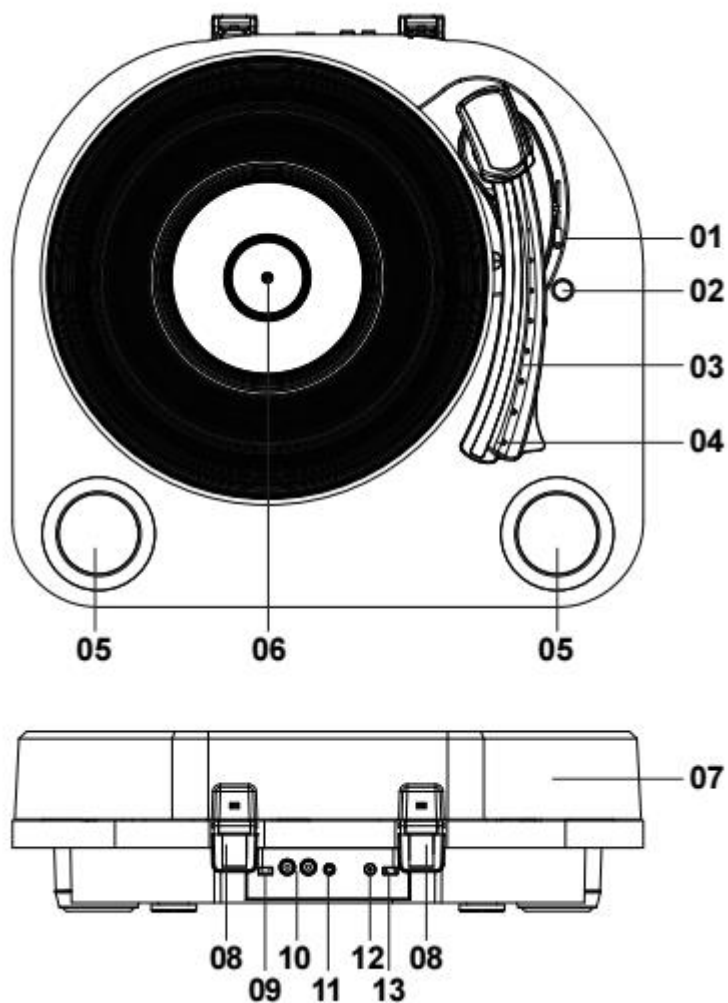
 - “Ni ingiera la pila, riesgo de quemadura química” o frase equivalente.
 - [El mando a distancia que se suministra] Este producto contiene una pila de tipo botón/moneda. Si la pila se traga, puede provocar graves quemaduras internas en sólo 2 horas y podría ocasionar la muerte.
 - Mantenga las pilas nuevas o usadas fuera del alcance de los niños.
 - Si el compartimiento de las pilas no se cierra correctamente, deje de usar el producto y no lo deje al alcance los niños.
 - Si tiene la sospecha de que una pila ha sido ingerida o se encuentra en algún lugar del cuerpo, busque inmediatamente atención médica.
29. Precaución sobre el uso de las pilas:
 - Existe riesgo de explosión si la pila no se sustituye correctamente. Sustitúyala únicamente con otra del mismo tipo u otro equivalente.
 - No se pueden exponer las pilas a temperaturas extremadamente altas o bajas, baja presión de aire a gran altitud durante el uso, almacenamiento o transporte.
 - Si cambia la pila por otra que no sea la correcta, se puede producir una explosión o la fuga de líquidos o gases inflamables.
 - Si arroja la pila al fuego o a un horno caliente, o aplasta o corta mecánicamente una pila, podría provocar una explosión.
 - Si deja una pila en un lugar con temperaturas extremadamente altas, se puede producir una explosión o una fuga de líquido o gas inflamable.
 - Si se expone la pila a una presión de aire extremadamente baja, se puede producir una explosión o la fuga de líquidos o gases inflamables.
 - Se debe prestar atención a los aspectos medioambientales sobre la eliminación de baterías.

INSTALACIÓN

- Desembale todas las piezas y retire el material protector.
- No conecte la unidad a la corriente eléctrica antes de comprobar la tensión de la corriente y antes de que se hayan hecho todas las demás conexiones.

***Estas instrucciones solo están relacionadas con productos que usen un cable de alimentación o un adaptador de corriente CA.**

1. PIEZAS DEL TOCADISCOS:



1. Palanca de izado
2. Interruptor de encendido/apagado y control de volumen
3. Brazo del tocadiscos
4. Cartucho de aguja fonocaptora
5. Altavoces
6. Plato de tocadiscos
7. Sobrecubierta extraíble
8. Bisagra
9. Interruptor de control de parada automática
10. Conectores de Salida RCA
11. Conector de entrada auxiliar de 3,5 mm
12. Conector del adaptador de corriente
13. Interruptor de selección de velocidad

2. Escuchar un disco

1. Levante la sobrecubierta
2. Gire el interruptor de encendido/apagado en el sentido de las agujas del reloj para encender la unidad.

3. Coloque un disco sobre el plato del tocadiscos y ajuste la velocidad para que coincida con la velocidad del disco.
Nota: Para reproducir un single (disco de 45 rpm) y/o discos con agujeros centrales grandes utilice el adaptador de 45 rpm.
4. Saque la tapa protectora del cartucho de la aguja y libere el brazo de su soporte.
5. Empuje la palanca de elevación hacia atrás. El brazo se levantará suavemente.
6. Mueva lentamente el brazo del tocadiscos hasta la posición deseada sobre el disco. Si la función de parada automática estuviera activada, el plato del tocadiscos empezará a girar.
7. Libere el brazo sobre el tocadiscos moviendo la palanca de elevación hacia adelante, el brazo del tocadiscos se moverá hacia el disco y la música empezará a sonar.

Si el interruptor de control de parada automática está ENCENDIDO, el disco dejará de reproducirse automáticamente cuando se termine. Si el interruptor de control de parada está DESACTIVADO, el disco NO se parará automáticamente cuando finalice; entonces deberá mover la palanca de elevación hacia atrás para levantar el brazo del tocadiscos y colocarlo en su soporte. A continuación, gire el interruptor de encendido/apagado a su posición de apagado para que el tocadiscos deje de girar.

Tenga en cuenta: La función de parada automática se aplica a la mayoría de los discos de vinilo de 33 RPM. Sin embargo, en algunos discos de vinilo, el tocadiscos se parará antes de que alcance el final o no se parará cuando llegue al final del disco.

3. Conexión RCA

Conecte la salida RCA a un sistema de altavoces (entrada Line) usando un cable RCA (no proporcionado) para disfrutar de la música de sus discos de vinilo en su sistema de altavoces.

4. CÓMO SUSTITUIR LA AGUJA

Consulte las instrucciones siguientes para sustituir la aguja.

Retirar la aguja del cartucho

1. Coloque un destornillador en la punta de la cubierta de la aguja y empuje hacia abajo, en la dirección mostrada en el dibujo "A".
2. Retire la cubierta de la aguja estirando hacia delante y empujando hacia atrás.

Insertar la aguja

1. Sostenga la punta de la cubierta de la aguja e insértela presionando en la dirección mostrada en "B".



EN	ES
Guide Pins (inside)	Pasadores guía (interior)

2. Empuje la cubierta de la aguja hacia arriba en la dirección mostrada en "C" hasta que la aguja quede fijada en la posición de la punta.

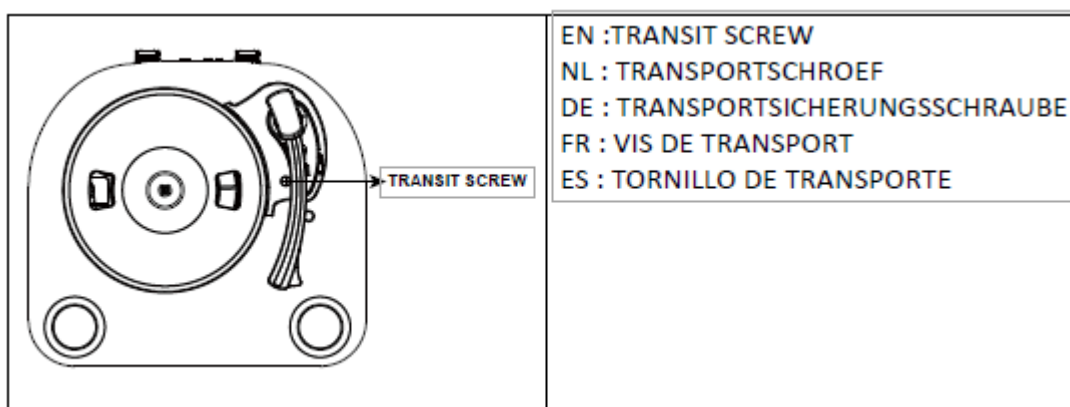
5. Entrada AUX (conector de 3,5 mm)

Se puede conectar una fuente de audio externa (auxiliar) (por ejemplo, un CD/reproductor de MP3/ teléfono móvil u ordenador personal) a este aparato mediante la toma de entrada auxiliar de 3.5mm

1. Conecte el cable auxiliar extraíble (no suministrado) en la toma de entrada auxiliar de 3.5 mm situada en la parte posterior de la unidad.
2. Conecte el otro extremo del cable auxiliar al auricular o a la toma de salida de línea de su fuente externa.
3. Encienda la unidad girando en sentido horario el dial de control de volumen.
4. Gire horario el dial de control de volumen para ajustar el nivel de sonido.

Nota: Esta unidad cumple con la normativa ERP2. Por tanto, el Lenco LS-40 pasará a modo en espera cuando no reciba ninguna señal de audio (disco o **entrada AUX**) durante aprox. 20 minutos. Para volver a usarlo, apague y encienda la unidad otra vez.

El tocadiscos se ha asegurado para su transporte con un tornillo de tránsito. Use una moneda o un destornillador para girar el tornillo de transporte en dirección horaria. Esto permitirá que el tocadiscos "flote". Durante el transporte, asegúrese de apretar este tornillo de tránsito girándolo en sentido antihorario.



Lenco	
Tocadiscos	LS-40
Tipo	Accionado por correa, totalmente manual
Motor de accionamiento	Motor DC

Velocidad	33 1/3 rpm, 45 rpm
Distorsión y variación de velocidad	≤0,35%
Plato de tocadiscos	253 mm
Cápsula fonocaptora	
Tipo	N-10 / Cartucho cerámico 402-M208-015
Aguja	0,7 mil
Fuerza de tracción óptima	4~6 gramos
Salida	160-380 mv (HP-4005)
Respuesta de frecuencia	-28 db (10 KHz)
Diafonía	10 db (1 KHz)
Relación Señal-Ruido (S/R)	40 db
General	
Adaptador	corriente AC100-240V~50/60Hz 0.5A
	salida CC 12 V-1 A
Producto	12 VCC - 1 A
Salida de audio (salida Line)	400-600 mv
Consumo de energía	10 W
Dimensiones	420 x 375 x 120 mm
Peso	aprox. 3,29 Kg LS-40WD
Peso	aprox. 3,28 Kg LS-40BK

Adaptador de alimentación

Fabricante: Blue Iron

Número de modelo: BI12T-120100-I

Utilice únicamente la fuente de alimentación indicada en las instrucciones de uso.

Información	Valor y precisión
Nombre de los fabricantes o marcas registradas, registro comercial y dirección	Dong guan blue iron enterprise co,.limited N0.3. Xi Da StreetLin Village, Tang Xia Town, Dong Guan City, Guang Dong Province
Identificador del modelo	BI12T-120100-I
Tensión de entrada	120-240V
Frecuencia CA de entrada	50-60Hz
Tensión de salida	DC 12V
Corriente de salida	0.5A
Potencia de salida	12W
Eficiencia activa media	74.96%
Eficiencia a carga baja (10%)	70.76%
Consumo energético sin carga	0.07

Garantía

Lenco ofrece servicio y garantía en cumplimiento con las leyes de la Unión Europea, lo cual implica que, en caso de que su producto precise ser reparado (tanto durante como después del periodo de garantía), deberá contactar directamente con su distribuidor.

Nota importante: No es posible enviar sus reparaciones directamente a Lenco.

Nota importante: Si la unidad es abierta por un centro de servicio no oficial, la garantía quedará anulada.

Este aparato no es adecuado para el uso profesional. En caso de darle un uso profesional, todas las obligaciones de garantía del fabricante quedarán anuladas.

Exención de responsabilidad

Regularmente se llevan a cabo actualizaciones en el Firmware y en los componentes del hardware. Por esta razón, algunas de las instrucciones, especificaciones e imágenes incluidas en este documento pueden diferir ligeramente respecto a su situación particular. Todos los elementos descritos en esta guía tienen un objetivo de mera ilustración, y pueden no ser de aplicación en su situación particular. No se puede obtener ningún derecho ni derecho legal a partir de la descripción hecha en este manual.

Eliminación del antiguo dispositivo



Este símbolo indica que no deberá deshacerse del producto eléctrico o batería en cuestión junto con los residuos domésticos, en el ámbito de la UE. Para garantizar un tratamiento residual correcto del producto y su batería, por favor, elimínelos cumpliendo con las leyes locales aplicables sobre requisitos para el desechado de equipos eléctricos y baterías. De hacerlo, ayudará a conservar recursos naturales y mejorar los estándares de protección medioambiental en el tratamiento y eliminación de residuos eléctricos (Directiva sobre la Eliminación de Equipos Eléctricos y Electrónicos).

Marca CE

Por la presente, Lenco Benelux B.V., Thermiekstraat 1a, 6361 HB Nuth, Países Bajos, declara que este producto cumple con las exigencias esenciales de la directiva de la UE. La declaración de conformidad puede consultarse mediante techdoc@commaxxgroup.com



Servicio

Para obtener más información y soporte del departamento técnico, por favor, visite la página web www.lenco.com

Lenco Benelux BV, Thermiekstraat 1a, 6361 HB, Países Bajos.

ВНИМАНИЕ:

Использование элементов управления или регулирования или выполнение процедур, отличных от указанных в данном документе, может привести к опасному радиационному облучению. Устройство не должно ремонтироваться кем-либо, кроме квалифицированных сервисных инженеров.

МЕРЫ ПРЕДОСТОРОЖНОСТИ ПЕРЕД ЭКСПЛУАТАЦИЕЙ**СОБЛЮДАЙТЕ СЛЕДУЮЩИЕ ИНСТРУКЦИИ:**

1. Не используйте устройство рядом с любым источником воды.
2. Для очистки устройства используйте мягкую сухую ткань.
3. Не закрывайте и не блокируйте вентиляционные отверстия. При размещении устройства на полке оставьте вокруг него 5 см (2 дюйма) свободного пространства.
4. Установите устройство в соответствии с руководством пользователя, входящим в комплект поставки.
5. * Не наступайте на адаптер питания и не зажимайте его. Будьте очень осторожны, особенно возле штекеров и кабельного вывода. Не размещайте на адаптере электропитания тяжелые предметы, так как они могут повредить его. Храните устройство в недоступном для детей месте! Играя с кабелем электропитания, они могут серьезно пораниться.
6. * Отключайте это устройство от сети во время грозы или если не используете в течение длительного времени.
7. Устройство должно находиться вдали от источников тепла, таких как батареи, обогреватели, нагревательные печи, свечи и другие изделия, выделяющие тепло, или открытое пламя.
8. Не используйте устройство вблизи сильных магнитных полей.
9. Электростатический разряд может помешать нормальной эксплуатации устройства. Если это так, просто перезагрузите и перезапустите устройство, следуя инструкции по эксплуатации. Соблюдайте осторожность при передаче файлов и эксплуатируйте устройство в среде, свободной от атмосферных помех.
10. Предупреждение! Не вставляйте какие-либо предметы в изделие через вентиляционные отверстия или проемы. Через изделие проходит высокое напряжение, и вставленный предмет может вызвать поражение электрическим током и/или короткое замыкание внутренних частей. По той же причине не проливайте на изделие воду или любую другую жидкость.
11. Не используйте устройство в помещениях с повышенной влажностью, таких как ванные комнаты, кухни, насыщенные паром, или около бассейнов.
12. Не используйте это устройство в среде, где возможно образование конденсата.
13. Although this device is manufactured with the utmost care and checked several times before leaving the factory, it is still possible that problems may occur, as with all electrical appliances. If you notice smoke, an excessive build-up of heat or any other unexpected phenomena, you should disconnect the plug from the main power socket immediately.
14. Это устройство должно работать от такого источника питания, как указано на заводской табличке со спецификациями. Если Вы не уверены в том, какой тип источника питания используется в Вашем доме, проконсультируйтесь с Вашим торговым посредником или местной электроэнергетической компанией.
15. * Штепсельная розетка должна быть установлена рядом с оборудованием и быть в непосредственном доступе.
16. * Не перегружайте розетки переменного тока или удлинительные шнуры. Перегрузка может вызвать возгорание или поражение электрическим током.
17. * Устройства, спроектированные в соответствии с первым классом электрооборудования по европейским стандартам, «class 1», необходимо подключать к заземленным розеткам электропитания.
18. * Устройства, спроектированные в соответствии со вторым классом электрооборудования по европейским стандартам, «class 2», не требуют наличия заземления в сети электропитания.
19. * Размещайте устройство подальше от животных. Некоторым животным нравится кусать шнур питания.
20. * Вынимая вилку из штепсельной розетки, всегда держитесь за вилку. Не тяните за шнур питания. Это может вызвать короткое замыкание.
21. Избегайте размещения устройства на поверхностях, которые могут быть подвержены избыточной вибрации или ударам.

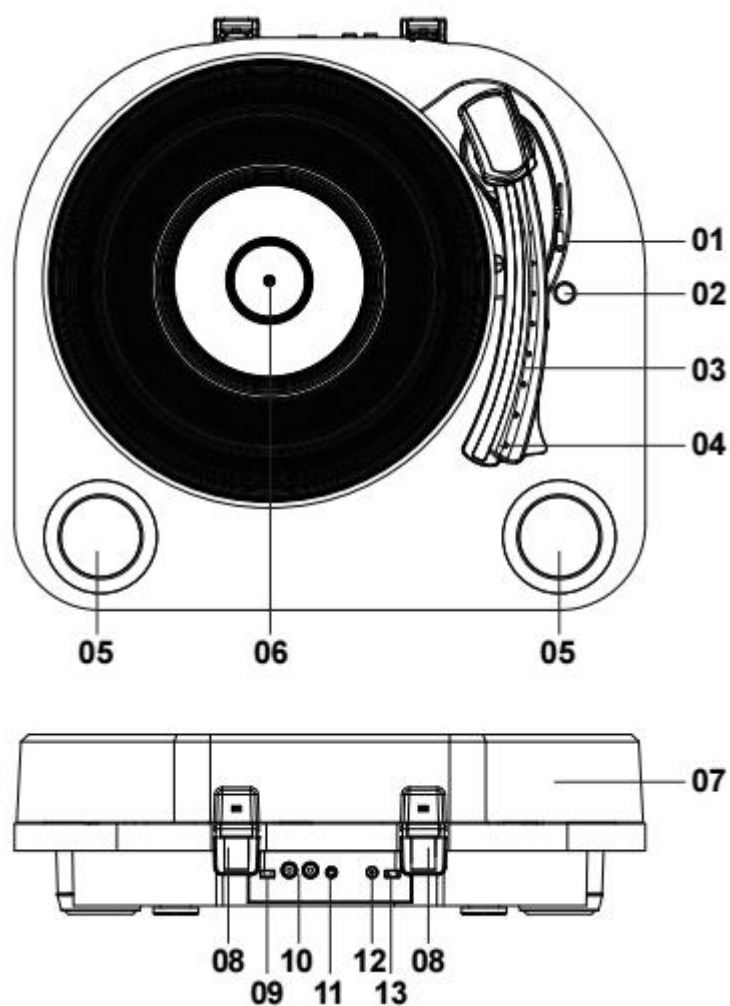
22. Для очистки устройства используйте мягкую сухую ткань. Не используйте растворители или жидкости на основе бензина. Чтобы удалить устойчивые пятна, Вы можете использовать влажную ткань с разбавленным моющим средством.
23. Поставщик не несет ответственности за повреждение или потерю данных, вызванные неисправностью, неправильным использованием, реконструкцией устройства или заменой батареи.
24. Не прерывайте соединение, когда устройство форматирует или передает файлы. В противном случае данные могут быть повреждены или утеряны.
25. Если в устройстве есть функция воспроизведения через USB, карту памяти USB следует подключать напрямую к устройству. Не используйте удлинительный кабель USB, так как он может вызывать помехи, что приведет к потере данных.
26. Не допускайте попадания на устройство капель или брызг. Следите за тем, чтобы на устройство или рядом с ним не ставились предметы, наполненные жидкостью, например вазы.
27. * В случае возникновения каких-либо проблем отключите шнур питания переменного тока и обратитесь за обслуживанием к квалифицированному персоналу.
28. Если устройство работает от батарей, батарею не следует подвергать нагреву от солнца, огня и других горячих источников.
29. Следует обратить внимание на экологические аспекты утилизации батарей.
30. Устройство можно использовать только в умеренном климате. Холодные и теплые условия не подходят при использовании устройства.
31. Табличка с техническими данными находится на нижней или задней панели устройства.
32. Это устройство не предназначено для использования людьми (включая детей) с физическими, умственными расстройствами, расстройствами чувственного восприятия или с недостатком опыта и знаний, если они не находятся под наблюдением или не получили инструкции по правильному использованию устройства со стороны лица, отвечающего за их безопасность.
33. Это изделие не предназначено для профессионального, коммерческого или промышленного использования.
34. Убедитесь, что устройство установлено в устойчивое положение. Гарантия не распространяется на повреждения, вызванные эксплуатацией этого изделия в нестабильном положении, вибрациями или ударами, либо несоблюдением любых других предупреждений или мер предосторожности, содержащихся в данном руководстве пользователя.
35. Никогда не снимайте корпус этого устройства.
36. Никогда не помещайте это устройство на другое электрическое оборудование.
37. Не используйте и не храните устройство в местах, где оно может быть подвержено воздействию прямых солнечных лучей, образованию чрезмерного количества пыли или излишней вибрации.
38. Не допускайте игр детей с пластиковыми пакетами, используемыми для упаковки устройства.
39. Используйте только приспособления/принадлежности, указанные производителем.
40. Поручите все обслуживание квалифицированному обслуживающему персоналу. Обслуживание требуется, когда устройство было повреждено, например, его шнур электропитания или вилка, когда была пролита жидкость или какие-либо предметы упали на устройство, когда устройство подверглось воздействию дождя или влаги, когда устройство работает ненормально, или когда произошло падение устройства.
41. * Не используйте поврежденный шнур электропитания, вилку или незакрепленную, ослабленную розетку. Это может привести к возгоранию или поражению электрическим током.
42. Длительное воздействие громких звуков личных музыкальных проигрывателей может привести к временной или постоянной потере слуха.

INSTALLATION

- Распакуйте все компоненты проигрывателя и снимите защитные материалы.
- * Не подключайте устройство к электросети до проверки сетевого напряжения и до выполнения всех остальных подключений.

*** Эти инструкции относятся только к продуктам, использующим кабель электропитания или адаптер переменного тока.**

1. УСТРОЙСТВО ПРОИГРЫВАТЕЛЯ:



1. Рычажок звукоснимателя
2. Вкл/выкл/громкость
3. Звукосниматель
4. Картридж с иглой
5. Динамики
6. Тарелка
7. Съемная защитная крышка
8. Петли
9. Выключатель автостопа
10. Выход RCA (тюльпаны)
11. Линейный вход Aux
12. Вход электропитания
13. Переключатель скоростей

2. Проигрывание виниловых пластинок

1. Откройте пылезащитную крышку
2. Поверните переключатель питания (Вкл/Выкл/громкость) по часовой стрелке, чтобы включить

устройство.

3. Положите пластинку на проигрыватель и установите скорость проигрывания, совпадающую со скоростью пластинки.

Примечание: При проигрывании синглов (пластинок со скоростью записи 45 об/минуту) и/или пластинок с большим центральным отверстием, используйте входящий в комплект адаптер.

4. Снимите защитную крышечку с картриджа с иглой и откройте Защелку звукоснимателя.
5. Поднимите звукосниматель Рычажком звукоснимателя.
6. Аккуратно поместите Звукосниматель над желаемым треком пластинки. Если включена функция автостопа, тарелка начнет вращаться.
7. Рычажком звукоснимателя опустите Звукосниматель для начала воспроизведения.

При включенном Автостопе пластинка остановится автоматически при достижении последнего трека. Если Автостоп не включен, проигрывание не закончится автоматически. Поднимите Звукосниматель Рычажком и переместите Звукосниматель обратно на Держатель. Опустите Звукосниматель Рычажком. Выключите питание, чтобы остановить тарелку.

Примечание: Некоторые виды пластинок могут иметь специфичную зону автостопа, из-за которой пластинка может остановиться, не проиграв все треки. Чтобы избежать этого, отключите Автостоп при использовании таких пластинок.

3. Подключение внешних динамиков (RCA)

Подключите внешнюю аудио систему к разъемам RCA на устройстве с помощью кабеля RCA (не входит в комплект), чтобы наслаждаться музыкой с использованием внешних колонок.

4. ПРОЦЕДУРА ЗАМЕНЫ ИГЛЫ

Чтобы заменить иглу, следуйте приведенным ниже инструкциям.

Удаление иглы из картриджа

1. Поместите отвертку на кончик иглы и отодвиньте его, как показано в направлении «А».
2. Снимите иглу, потянув иглу вперед и отодвинув ее.

Установка иглы

1. Возьмитесь за кончик иглы и вставьте иглу, нажав, как показано в направлении «В».
2. пододвиньте иглу, как в направлении «С», пока игла не зафиксируется в положении кончика.



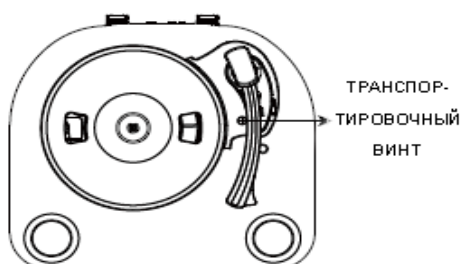
5. Линейный вход AUX-IN (3.5 мм джек)

К данному проигрывателю можно подключить внешний источник звука (CD/MP3 плеер, телефон или компьютер) через линейный вход AUX-IN (3.5 мм джек).

1. Вставьте кабель AUX (не входит в комплект поставки) в соответствующий 3.5 мм разъем на задней панели устройства.
2. Ответную часть кабеля подключите к разъему наушников или выходному разъему внешнего источника звука.
3. Включите устройство, повернув ручку регулировки звука по часовой стрелке.
4. Крутите ручку регулировки звука, чтобы выбрать оптимальную громкость.

Данное устройство соответствует требованиям ERP2 и переходит в режим ожидания (выключается), если в течение примерно 20 минут не поступает аудио сигнал (с записи или через AUX). Чтобы снова начать пользоваться устройством, выключите и включите его.

Проигрыватель поставляется с установленным транспортировочным винтом, который расположен рядом со звукоснимателем. Используйте узкую монету или отвертку, чтобы выкрутить винт по часовой стрелке. Это позволит механизму «парить» при проигрывании записей. При перевозке проигрывателя убедитесь, что транспортировочный винт закручен. Для этого воспользуйтесь узкой монетой или отверткой, прокрутив винт против часовой стрелки.



Lenco	
Модель проигрывателя	LS-40
Тип привода	Пассиковый
Двигатель привода	Электродвигатель постоянного тока
Скорость вращения	33 1/3, 45 об./мин.
Нестабильность вращения	<0.35%
Диаметр опорного диска	253 мм
Картридж	
Тип картриджа	N-10 / Керамический картридж 402-M208-015
Диаметр иглы звукоснимател	0.7 мм
Оптимальная прижимная сила	4-6 грамм
Выходная мощность	160-380mV (HP-4005)
Частотный диапазон	-28 дБ (10 КГц)
Crosstalk	10 дБ (1 КГц)

Соотношение сигнал-шум (S/N)	40 дБ
Общая информация	
АДАПТЕР	Входное напряжение 100-240 В переменного тока ~50/60 Гц 0.5А
	Выходное напряжение 12 В постоянного тока 1А
ИЗДЕЛИЕ	12 В постоянного тока – 1А
Уровень выхода (Line Out)	400-600mv
Энергопотребление	10 Вт
Габаритные размеры	420x375x120 мм
Масса	Примерно 3.29 кг LS-40WD
Масса	Примерно 3.28 кг LS-40BK

Адаптер электропитания

Производитель: Блю Айрон (Blue Iron)

Номер модели: VI12T-120100-I

Используйте только такой источник питания, как указано в инструкции пользователя.

Гарантийные обязательства

Срок гарантии составляет 1 (один) год с даты продажи. **Срок службы** – до 5 (пяти) лет.

Важное примечание: Компания Lenco не обеспечивает обслуживание оборудования в случае непосредственного обращения в головной офис компании.

Важное примечание: Гарантия не действует, если устройство вскрывалось или подвергалось изменениям вне официального сервисного центра.

Это устройство не предназначено для профессионального использования. В случае профессионального использования гарантийные обязательства производителя не будут выполняться.

Заявление об ограничении ответственности

Обновления микропрограмм и/или компонентов аппаратного обеспечения производятся регулярно. Поэтому некоторые инструкции, спецификации и изображения в этой документации могут незначительно отличаться от Вашей конкретной ситуации. Все элементы, описанные в данном руководстве, предназначены только для иллюстрации и могут не относиться к конкретной ситуации. Из описания, приведенного в этом руководстве, нельзя получить никаких юридических прав.

Утилизация оборудования



Этот символ означает, что соответствующее электрооборудование или батарея не может быть утилизирована как обычные бытовые отходы в Европе. Чтобы обеспечить корректную утилизацию данного оборудования руководствуйтесь местными законами или требованиями по утилизации электронного оборудования и батарей.

Поступая таким образом, Вы поможете сохранить природные ресурсы и улучшить стандарты защиты окружающей среды при обработке и утилизации электрических отходов (Директива ЕС об отходах электрического и электронного оборудования).

Маркировка «CE»



Продукция с маркировкой CE соответствует требованиям Директиве ЕС по электромагнитной совместимости (2014/30/ЕС) и Директиве ЕС по вопросам качества низковольтных электротехнических изделий (2014/35/ЕС), принятых Комиссией Европейского Союза. Настоящим компания «Ленко Бенелюкс БВ» (Lenco Benelux BV), Термикстраат 1а, Нют, 6361 НВ, Нидерланды (Thermiekstraat 1a, 6361 НВ Nuth, The Netherlands) заявляет, что этот продукт соответствует основным требованиям. С декларацией соответствия можно ознакомиться по адресу techdoc@lenco.com. «Ленко Бенелюкс БВ», Термикстраат 1а, Нют, 6361 НВ, Нидерланды.

Маркировка «EAC»



Товар сертифицирован для использования на территории Таможенного Союза без каких-либо ограничений. Соответствует требованиям ТР ТС 004/2011 «О безопасности низковольтного оборудования» и ТР ТС 020/2011 «Электромагнитная совместимость технических средств». **Импортер и организация, уполномоченная на принятие претензий:** ООО "Бизнес-фабрика", 123458 г. Москва, ул. Маршала Прошлякова, д. 30, офис 503, +7 495 787 5900. **Изготовитель:** «Ленко Бенелюкс БВ», Термикстраат 1а, Нют, 6361 НВ, Нидерланды / **Филиал:** Эс.Ти.Ай. Электроникс Лтд., Юнит 903-907, 9/ЭФ, Лоз Коммершиал Плаза, 788 Чонг Ша Ван Роуд, Коулун, Гонконг. Сделано в Китае.

Обслуживание

Для получения дополнительной информации и обращения в службу поддержки клиентов посетите наш веб-сайт: www.lenco.ru. Дизайн и спецификация могут быть изменены производителем без предварительного информирования.

Дата изготовления продукции

Год и месяц изготовления продукции указаны в номере партии и серийном номере продукта. Ниже описаны способы уточнения этой даты.

- По номеру партии (номер партии указан либо на упаковке устройства, либо на транспортировочной упаковке).
 - Формат номера партии: AAAABDDMY
- По серийному номеру продукта (серийный номер указан на устройстве).
 - Формат серийного номера: AAAABDDMYSSSSS

Где М (восьмой символ слева) равен месяцу производства, а Y (девятый символ слева) равен году производства. Месяц производства указывается одной из букв латинского алфавита.

Соответствие буквенных обозначений месяца производства:

A	B	C	D	E	F
Январь	Февраль	Март	Апрель	Май	Июнь
G	H	I	J	K	L
Июль	Август	Сентябрь	Октябрь	Ноябрь	Декабрь

Год производства указывается одной цифрой, которая соответствует последней цифре года производства (цифра 1 равна 2021 году производства).

Пример расшифровки по номеру партии:

- Номер партии: 2461A05**C0**
- Где буква **C** это месяц (Март), а цифра **0** – последняя цифра года производства (2020 год).

Пример расшифровки по серийному номеру:

- 2461A05**A1**123456
- Где буква **A** это месяц (Январь), а цифра **1** – последняя цифра года производства (2021 год).

Гарантийный талон

Lenco

Информация об устройстве

Модель:	
Серийный номер:	
Дата продажи: срок гарантии – 1 (один) год с даты продажи	

Информация о продавце

Название торговой организации:	
Телефон торговой организации:	
Адрес, e-mail:	

Подпись продавца _____

М.П.

Подпись покупателя _____

Изделие получил в исправном состоянии и в полной комплектации.

С условиями гарантии ознакомлен и согласен.

ВНИМАНИЕ! Гарантийный талон недействителен без печати продавца.

Поддержка: www.lenco.ru

ATTENZIONE:

L'utilizzo di controlli o regolazioni o l'esecuzione di procedure diverse da quelle specificate può causare l'esposizione a radiazioni pericolose.

PRECAUZIONI PRIMA DELL'USO**CONSERVARE QUESTE ISTRUZIONI:**

1. Non coprire o bloccare le aperture di ventilazione. Quando si posiziona il dispositivo su uno scaffale, lasciare uno spazio libero di 5 cm (2") attorno all'intero perimetro.
2. Installare secondo quanto riportato nel manuale fornito.
3. Tenere il dispositivo lontano da sorgenti termiche come radiatori, termosifoni, stufe, candele e altri prodotti che generano calore o fiamme libere. Il dispositivo può essere utilizzato solo in climi moderati. Evitare ambienti estremamente freddi o caldi. Temperatura di esercizio compresa tra 0° e 35°C.
4. Evitare l'uso del dispositivo in presenza di forti campi magnetici.
5. Le scariche elettrostatiche possono interferire con il normale utilizzo di questo dispositivo. In tal caso, è sufficiente ripristinare e riavviare il dispositivo seguendo il manuale di istruzioni. Durante la trasmissione di file, maneggiarlo con cura e operare in un ambiente privo di elettricità statica.
6. **Avviso!** Non inserire mai oggetti nel prodotto attraverso le prese d'aria o le aperture. All'interno del prodotto sono presenti tensioni elevate e l'inserimento di un oggetto può provocare scariche elettriche e/o cortocircuiti. Per lo stesso motivo, non versare acqua o liquidi sul prodotto.
7. Non utilizzare in aree umide o bagnate come bagni, cucine con vapore o piscine.
8. Non esporre il dispositivo a schizzi o gocciolamenti di liquidi; non poggiare sopra o accanto al dispositivo oggetti contenenti liquidi, ad esempio vasi.
9. Non utilizzare questo dispositivo in caso di condensa. Quando l'unità viene utilizzata in una stanza calda e bagnata con umidità presente, potrebbero prodursi gocce d'acqua o condensa all'interno dell'unità e l'unità potrebbe non funzionare correttamente; lasciare l'unità spenta per 1 o 2 ore prima di accenderla nuovamente. L'unità deve essere asciutta prima della connessione all'alimentazione.
10. Sebbene questo dispositivo sia fabbricato con la massima cura e controllato più volte prima di lasciare la fabbrica, è comunque possibile che si verifichino problemi come per qualsiasi altra apparecchiatura elettrica. Se si nota fumo, eccessivo accumulo di calore o altri fenomeni imprevisti, scollegare immediatamente la spina dalla presa di alimentazione principale.
11. Questo dispositivo deve funzionare con una fonte di alimentazione con i valori indicati sull'etichetta delle specifiche. Se non si è sicuri del tipo di alimentazione utilizzata in casa, consultare il rivenditore o la compagnia elettrica locale.
12. Tenere fuori dalla portata degli animali domestici. Alcuni animali amano mordere i cavi di alimentazione.
13. Per pulire il dispositivo, utilizzare un panno morbido e asciutto. Non usare solventi o liquidi a base di benzina.
Per rimuovere le macchie persistenti, è possibile utilizzare un panno umido con detergente diluito.
14. Il fornitore non è responsabile per danni o perdita di dati causati da malfunzionamento, uso improprio, modifica del dispositivo o sostituzione della batteria.
15. Non interrompere la connessione quando il dispositivo sta formattando o trasferendo file. In caso contrario, i dati potrebbero essere danneggiati o andare persi.
16. Se l'unità dispone della funzione di riproduzione USB, la chiavetta USB deve essere collegata direttamente all'unità. Non utilizzare una prolunga USB perché può causare interferenze con conseguenti anomalie dati.
17. L'etichetta dei dati è riportata sul pannello inferiore o posteriore dell'apparecchio.
18. Questo dispositivo non è destinato all'uso da parte di persone (compresi i bambini) con disabilità fisiche, sensoriali o mentali, o mancanti di esperienza e conoscenza, a meno che non siano sotto supervisione o abbiano ricevuto istruzioni circa l'uso corretto del dispositivo da parte di chi è responsabile per la loro sicurezza.
19. Questo prodotto è destinato esclusivamente all'uso non professionale e non commerciale o industriale.
20. Assicurarsi che l'unità sia collocata in una posizione stabile. I danni causati dall'uso di questo prodotto in una posizione instabile, vibrazioni o urti o la mancata osservanza di qualsiasi altro avvertimento o precauzione indicati in questo manuale utente non saranno coperti da garanzia.
21. Non rimuovere mai la carcassa di questo dispositivo.
22. Non posizionare mai questo dispositivo su altre apparecchiature elettriche.
23. Non permettere ai bambini di accedere ai sacchetti di plastica.
24. Utilizzare solo collegamenti/accessori specificati dal produttore.

25. Rivolgersi a personale qualificato per l'assistenza. La manutenzione è necessaria quando l'apparecchio è stato danneggiato in qualsiasi modo, come ad esempio quando il cavo o la presa di alimentazione o sono deteriorati, quando è stato versato un liquido, quando sono caduti nell'apparecchio degli oggetti, quando l'apparecchio è stato esposto a pioggia o umidità, quando non funziona normalmente o quando è caduto.
26. L'esposizione prolungata ai suoni ad alto volume dei lettori musicali può causare una perdita temporanea o permanente dell'udito.
27. Se il prodotto viene consegnato con cavo di alimentazione o adattatore di alimentazione CA:
 - In caso di problemi, scollegare la scheda di alimentazione CA e rivolgersi a personale qualificato.
 - Non calpestare o schiacciare l'alimentatore. Fare molta attenzione, in particolare vicino alle prese e al punto di uscita del cavo. Non posizionare oggetti pesanti sull'alimentatore in quanto potrebbero danneggiarlo. Tenere il dispositivo fuori dalla portata dei bambini. Giocando con il cavo di alimentazione possono infortunarsi seriamente.
 - Scollegare il dispositivo durante i temporali o quando non viene utilizzato per un lungo periodo.
 - La presa di corrente deve essere installata vicino all'apparecchio e deve essere facilmente accessibile.
 - Non sovraccaricare le prese CA né le prolunghere. Il sovraccarico può causare incendi o scariche elettriche.
 - I dispositivi con struttura di classe 1 devono essere collegati a una presa di rete con connessione di messa a terra di protezione.
 - I dispositivi con struttura di classe 2 non richiedono un collegamento a terra.
 - Tenere sempre la spina quando la si estrae dalla presa di rete. Non tirare il cavo di alimentazione. Ciò può causare un cortocircuito.
 - Non utilizzare un cavo o una presa di alimentazione danneggiati o una presa non fissata. Tale azione potrebbe provocare incendi o scariche elettriche.
28. Se il prodotto contiene o viene consegnato con un telecomando contenente batterie a pulsante/a bottone:

Avvertenza:

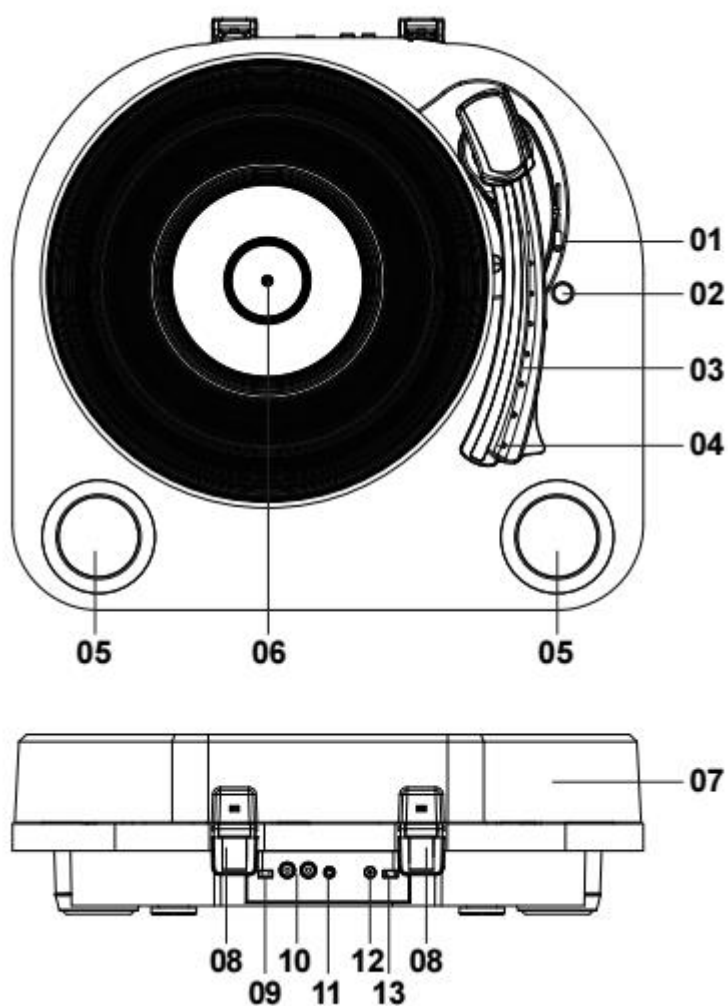
 - "Non ingerire la batteria, pericolo di ustioni chimiche" o funzionamento equivalente.
 - [Il telecomando in dotazione con] Il presente prodotto contiene una pila a bottone. Se ingerita, la batteria può causare gravi ustioni interne in sole 2 ore e portare alla morte.
 - Tenere le batterie, nuove o usate, fuori dalla portata dei bambini.
 - Se il vano batteria non si chiude completamente, interrompere l'uso del dispositivo e tenerlo fuori della portata dei bambini.
 - Se si teme che delle batterie possano essere state inghiottite o essere venute a contatto con qualsiasi parte interna del corpo, contattare immediatamente un medico.
29. Precauzioni sull'uso delle batterie:
 - Pericolo di esplosione se la batteria viene sostituita in modo errato. Sostituire solo con lo stesso tipo o equivalente.
 - Non sottoporre le batterie a temperature estreme alte o basse, bassa pressione dell'aria ad alta quota durante l'uso, lo stoccaggio o il trasporto.
 - La sostituzione con una batteria di tipo errato può provocare un'esplosione o la perdita di liquidi o gas infiammabili.
 - Lo smaltimento di una batteria nel fuoco o in un forno caldo o lo schiacciamento o il taglio meccanico di una batteria possono provocare un'esplosione.
 - Lasciare una batteria in un ambiente circostante a temperatura estremamente elevata può provocare un'esplosione o una perdita di liquidi o gas infiammabili.
 - Una batteria soggetta a una pressione dell'aria estremamente bassa può provocare un'esplosione o una perdita di liquidi o gas infiammabili.
 - È necessario prestare attenzione agli aspetti ambientali legati allo smaltimento delle batterie.

INSTALLAZIONE

- Disimballare tutte le parti e rimuovere il materiale protettivo.
- Non collegare l'unità alla rete elettrica prima di avere controllato la tensione di rete e prima che siano stati effettuati tutti gli altri collegamenti.

***Queste istruzioni sono relative solo ai prodotti che utilizzano il cavo di alimentazione o l'alimentatore CA.**

1. Parti del giradischi:



1. Leva di sollevamento
2. Interruttore di accensione/spengimento e di regolazione del volume
3. Braccio del giradischi
4. Cartuccia phono
5. Altoparlanti
6. Piatto del giradischi
7. Parapolvere rimovibile
8. Cerniera
9. Interruttore di arresto automatico
10. Jack di uscita RCA
11. Jack di ingresso Aux da 3,5 mm
12. Jack per alimentatore
13. Selettore di velocità

2. Ascolto di un disco

1. Sollevare il parapolvere

2. Ruotare l'interruttore di accensione/spengimento/regolazione del volume in senso orario per accendere l'unità.
3. Mettere un disco sul piatto del giradischi e impostare la velocità del lettore in modo che corrisponda alla velocità del disco.

Nota: per la riproduzione di un disco singolo (un disco a 45 giri/min) e/o dischi che presentano fori centrali grandi, utilizzare l'adattatore a 45 giri/min.

4. Rimuovere il cappuccio di protezione della puntina e sbloccare il braccio di lettura dall'apposito supporto.
5. Tirare indietro la leva di sollevamento. Il braccio di lettura si solleverà lentamente.
6. Spostare delicatamente il braccio di lettura nella posizione desiderata sul disco. Se la funzione di arresto automatico è attiva, il piatto del giradischi inizierà a ruotare.
7. Rilasciare il braccio di lettura sul giradischi spingendo in avanti la leva di sollevamento, il braccio di lettura si sposterà verso il disco e la musica verrà riprodotta.

Se l'interruttore di arresto automatico è inserito, il disco verrà arrestato automaticamente al termine della riproduzione. Se l'interruttore di arresto automatico è disinserito, il disco NON verrà arrestato automaticamente al termine della riproduzione; sarà necessario portare indietro la leva di sollevamento per sollevare il braccio di lettura e riposizionarlo sul supporto. Successivamente spegnere il giradischi per farlo smettere di girare.

Nota bene: la funzione di arresto automatico è valida per la maggior parte dei dischi in vinile da 33 giri/min. Tuttavia, per una parte esigua di essi, l'arresto avverrà prima che raggiungano il termine oppure non si verifica al termine della loro riproduzione.

3. Collegamento RCA

Collegare il jack di uscita RCA all'impianto di altoparlanti esterno (Line in) tramite il cavo RCA (non incluso) per poter ascoltare la musica dei dischi in vinile tramite gli altoparlanti.

4. COME SOSTITUIRE LA PUNTINA

Per sostituire la puntina, fare riferimento alle istruzioni che seguono.

Rimozione della puntina dalla cartuccia

1. Posizionare un cacciavite sulla punta del portatestina e spingere verso il basso nella direzione indicata nel punto "A" del disegno.
2. Rimuovere il portatestina tirandolo in avanti e spingendolo verso il basso.

Inserimento della puntina

1. Tenere la punta del portatestina e inserire la puntina spingendola nella direzione indicata nel punto "B" del disegno.



2. Spingere il portatestina verso l'alto nella direzione indicata nel punto "C" del disegno fino allo scatto in posizione della puntina.

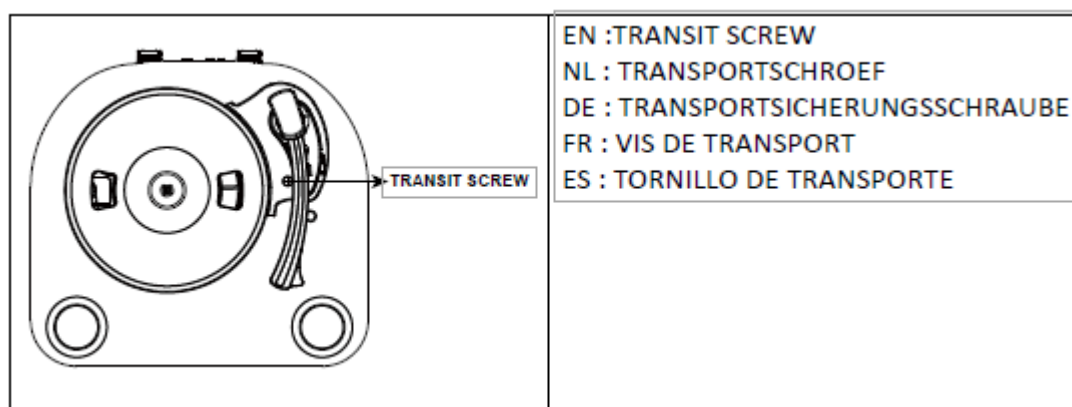
5. AUX-IN (Jack da 3,5 mm)

Una sorgente audio esterna (ausiliaria) (ad es. lettore CD/MP3 personale/Telefono cellulare o computer) può essere collegata all'apparecchio tramite l'ingresso jack Aux da 3,5 mm.

1. Inserire un cavo Aux rimovibile (non incluso) nel connettore di ingresso jack Aux da 3,5 mm situato sul retro dell'unità.
2. Collegare l'altra estremità del cavo Aux alla presa per cuffie o Line-out della propria sorgente esterna.
3. Accendere l'unità ruotando la manopola di controllo del volume in senso orario.
4. Ruotare la manopola di controllo del volume per regolare il livello del suono.

Nota: L'unità è conforme alla normativa ERP2. Pertanto il Lenco LS-40 passa in standby in assenza di segnale audio (disco o **Aux in**) entro ~20 minuti. Per continuare l'uso, spegnere e accendere di nuovo l'unità.

Il giradischi è stato fissato per la spedizione con una vite di blocco per il trasporto. Utilizzare una moneta o un cacciavite per ruotare in senso orario la vite di blocco per il trasporto. Ciò consentirà al giradischi di "spostarsi" liberamente. Durante il trasporto, assicurarsi di stringere tale vite ruotandola in senso antiorario.



Lenco	
Giradischi	LS-40
Tipo	Azionamento a cinghia interamente manuale
Motore di azionamento	Motore CC
Velocità	33 1/3 giri/min, 45 giri/min
Wow e flutter	≤0,35%
Piatto del giradischi	253 mm
Cartuccia	
Tipo	N-10/Cartuccia in ceramica 402-M208-015
Puntina	0,7 millimetri
Forza di tracciamento ottimale	4-6 grammi
Uscita	160-380 mV (HP-4005)
Risposta in frequenza	-28 db (10 KHz)
Diafonia	10 db (1 KHz)
Rapporto segnale-rumore (S/R)	40 db

Informazioni generali	
Adattatore	ingresso CA 100-240 V~50/60 Hz 0,5 A
	uscita CC12 V-1 A
Prodotto	CC12 V-1 A
Uscita audio (Line Out)	400-600 mv
Consumo	10 W
Dimensioni	420x375x120 mm
Peso	circa 3,29 KG LS-40WD
Peso	circa 3,28 KG LS-40BK

Alimentatore

Produttore: Blue Iron

Numero di modello: BI12T-120100-I

Utilizzare solo l'alimentazione indicata nel presente manuale.

Informazioni	Valore e precisione
Nome o marchio del produttore, registrazione commerciale e indirizzo	Dong guan blue iron enterprise co,.limited N.3. Xi Da StreetLin Village, Tang Xia, Dong Guan, Provincia di Guang Dong
Identificatore del modello	BI12T-120100-I
Tensione in ingresso	120-240 V
Frequenza in ingresso CA	50-60 Hz
Tensione in uscita	CC 12 V
Corrente in uscita	0,5A
Potenza in uscita	12W
Efficienza media attiva	74,96%
Efficienza a basso carico (10%)	70,76%
Consumo energetico senza carico	0,07

Garanzia

Lenco offre assistenza e garanzia in conformità con la legge europea, il che significa che in caso di riparazioni (sia durante che dopo il periodo di garanzia) è necessario contattare il rivenditore locale.

Nota importante: Non è possibile inviare direttamente a Lenco i prodotti da riparare.

Nota importante: Qualora l'unità venga aperta o manomessa in qualsiasi modo da un centro di assistenza non riconosciuto, la garanzia decade.

Questo dispositivo non è adatto per l'uso professionale. Qualora l'unità venga utilizzata per scopi professionali, tutti gli obblighi del produttore derivanti dalla garanzia sono nulli.

Clausola di esclusione della responsabilità

Il firmware e/o i componenti hardware vengono aggiornati regolarmente. Pertanto, è possibile che alcune parti relative a istruzioni, specifiche e immagini contenute nella presente documentazione siano diverse da quanto riscontrato nel singolo caso. Tutte le descrizioni incluse in questa guida sono fornite a puro titolo illustrativo e non si applicano necessariamente alla specifica situazione. Nessun diritto legale o contrattuale può derivare dalle descrizioni contenute nel presente libretto di istruzioni.

Smaltimento a fine vita del dispositivo



Questo simbolo indica che in Europa è vietato gettare il relativo prodotto elettrico o batteria tra i rifiuti domestici. Per il corretto smaltimento a fine vita del prodotto e della batteria, attenersi alle vigenti normative locali per il trattamento dei rifiuti da apparecchiature elettriche ed elettroniche e delle batterie. In tal modo si contribuisce a salvaguardare le risorse naturali e a migliorare gli standard per la protezione dell'ambiente nel trattamento dei rifiuti da apparecchiature elettriche ed elettroniche (Direttiva RAEE).



Marchio CE

Con la presente, Lenco Benelux B.V., Thermiekstraat 1a, 6361 HB Nuth, Paesi Bassi, dichiara che questo prodotto è conforme ai requisiti essenziali della Direttiva europea.

La dichiarazione di conformità può essere richiesta inviando un'e-mail a techdoc@commaxxgroup.com



Assistenza

Per ulteriori informazioni e accesso all'helpdesk, visitare il sito www.lenco.com

Lenco Benelux BV, Thermiekstraat 1a, 6361 HB, Paesi Bassi