

ClassicPhono by **Lenco**

Model No: TT-110



USER MANUAL – Turntable with Bluetooth reception and Built-in speakers

GEBRUIKERSHANDLEIDING – platenspeler met bluetoothontvangst en ingebouwde luidsprekers

BEDIENUNGSANLEITUNG – Plattenspieler mit Bluetooth-Empfang und integrierten Lautsprechern

MODE D'EMPLOI – Platine avec réception Bluetooth et haut-parleurs intégrés

MANUAL DE USUARIO – Tocadiscos con recepción Bluetooth y altavoces integrados

MANUALE D'USO – Giradischi con ricezione Bluetooth e altoparlanti integrati

KULLANIM KILAVUZU - Dahili hoparlörlü pikap platformu

BRUGERMANUAL - Pladespiller med Bluetooth-mottagelse og indbyggede højttalere

BRUKSANVISNING – skivspelare med Bluetooth-mottagning och inbyggda högtalare

KÄYTTÖOPAS – Levysoitin Bluetooth-vastaanotolla ja sisäänrakennetuilla kaiuttimilla

MANUAL DO UTILIZADOR – Gira-discos com recepção de Bluetooth e altifalantes incorporados

Index:

English	3
Nederlands	13
Deutsch	24
Français	36
Español	47
Italiano	58
Turkish.....	69
Dansk/Norsk	79
Svenska.....	90
Suomi	100
Português	110

CAUTION:

Usage of controls or adjustments or performance of procedures other than those specified herein may result in hazardous radiation exposure.

PRECAUTIONS BEFORE USE

KEEP THESE INSTRUCTIONS IN MIND:

1. Do not cover or block any ventilation openings. When placing the device on a shelf, leave 5 cm (2") free space around the whole device.
2. Install in accordance with the supplied user manual.
3. Keep the device away from heat sources such as radiators, heaters, stoves, candles and other heat-generating products or naked flame. The device can only be used in moderate climates. Extremely cold or warm environments should be avoided. Working temperature between 0° and 35°C.
4. Avoid using the device near strong magnetic fields.
5. Electrostatic discharge can disturb normal usage of this device. If so, simply reset and restart the device following the instruction manual. During file transmission, please handle with care and operate in a static-free environment.
6. Warning! Never insert an object into the product through the vents or openings. High voltage flows through the product and inserting an object can cause electric shock and/or short circuit internal parts. For the same reason, do not spill water or liquid on the product.
7. Do not use in wet or moist areas such as bathrooms, steamy kitchens or near swimming pools.
8. The device shall not be exposed to dripping or splashing and make sure that no objects filled with liquids, such as vases, are placed on or near the apparatus.
9. Do not use this device when condensation may occur. When the unit is used in a warm wet room with damp, water droplets or condensation may occur inside the unit and the unit may not function properly; let the unit stand in power OFF for 1 or 2 hours before turning on the power: the unit should be dry before getting any power.
10. Although this device is manufactured with the utmost care and checked several times before leaving the factory, it is still possible that problems may occur, as with all electrical appliances. If you notice smoke, an excessive build-up of heat or any other unexpected phenomena, you should disconnect the plug from the main power socket immediately.
11. This device must operate on a power source as specified on the specification label. If you are not sure of the type of power supply used in your home, consult your dealer or local power company.
12. Keep away from animals. Some animals enjoy biting on power cords.
13. To clean the device, use a soft dry cloth. Do not use solvents or petrol based fluids. To remove severe stains, you may use a damp cloth with dilute detergent.
14. The supplier is not responsible for damage or lost data caused by malfunction, misuse, modification of the device or battery replacement.
15. Do not interrupt the connection when the device is formatting or transferring files. Otherwise, data may be corrupted or lost.
16. If the unit has USB playback function, the USB memory stick should be plugged into the unit directly. Don't use an USB extension cable because it can cause interference resulting in failing of data.
17. The rating label has been marked on the bottom or back panel of the device.
18. This device is not intended for use by people (including children) with physical, sensory or mental disabilities, or a lack of experience and knowledge, unless they're under supervision or have received instructions about the correct use of the device by the person who is responsible for their safety.
19. This product is intended for non professional use only and not for commercial or industrial use.
20. Make sure the unit is adjusted to a stable position. Damage caused by using this product in an unstable position vibrations or shocks or by failure to follow any other warning or precaution contained within this user manual will not be covered by warranty.
21. Never remove the casing of this device.
22. Never place this device on other electrical equipment.
23. Do not allow children access to plastic bags.
24. Only use attachments/accessories specified by the manufacturer.

25. Refer all servicing to qualified service personnel. Servicing is required when the device has been damaged in any way, such as the power supply cord or the plug, when liquid has been spilled or objects have fallen into the device, when the device has been exposed to rain or moisture, does not operate normally, or has been dropped.
26. Long exposure to loud sounds from personal music players may lead to temporary or permanent hearing loss.
27. If the product is delivered with power cable or AC power adaptor:
 - If any trouble occur, disconnect the AC power cord and refer servicing to qualified personnel.
 - Don't step on or pinch the power adaptor. Be very careful, particularly near the plugs and the cable's exit point. Do not place heavy items on the power adaptor, which may damage it. Keep the entire device out of children's reach! When playing with the power cable, they can seriously injure themselves.
 - Unplug this device during lightning storms or when unused for a long period.
 - The socket outlet must be installed near the equipment and must be easily accessible.
 - Do not overload ac outlets or extension cords. Overloading can cause fire or electric shock.
 - Devices with class 1 construction should be connected to a main socket outlet with a protective earthed connection.
 - Devices with class 2 construction do not require a earthed connection.
 - Always hold the plug when pulling it out of the main supply socket. Do not pull the power cord. This can cause a short circuit.
 - Do not use a damaged power cord or plug or a loose outlet. Doing so may result in fire or electric shock.
28. If the product contains or is delivered with a remote control containing coin/cell batteries:

Warning:

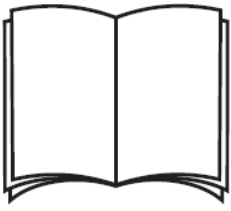
 - "Do not ingest battery, Chemical Burn Hazard" or equivalent warning.
 - [The remote control supplied with] This product contains a coin/button cell battery. If the battery is swallowed, it can cause severe internal burns in just 2 hours and can lead to death.
 - Keep new and used batteries away from children.
 - If the battery compartment does not close securely, stop using the product and keep it away from children.
 - If you think batteries might have been swallowed or placed inside any part of the body, seek immediate medical attention.
29. Caution about the use of Batteries:
 - Danger of explosion if battery is incorrectly replaced. Replace only with the same or equivalent type.
 - Battery cannot be subjected to high or low extreme temperatures, low air pressure at high altitude during use, storage or transportation.
 - Replacement of a battery with an incorrect type that can result in an explosion or the leakage of flammable liquid or gas.
 - Disposal of a battery into fire or a hot oven, or mechanically crushing or cutting of a battery, that can result in an explosion.
 - Leaving a battery in an extremely high temperature surrounding environment that can result in an explosion or that leakage of flammable liquid or gas.
 - A battery subjected to extremely low air pressure that may result in an explosion or the leakage of flammable liquid or gas.
 - Attention should be drawn to the environmental aspects of battery disposal.

INSTALLATION

- Unpack all parts and remove protective material.
- Do not connect the unit to the mains before checking the mains voltage and before all other connections have been made.

Accessories included:

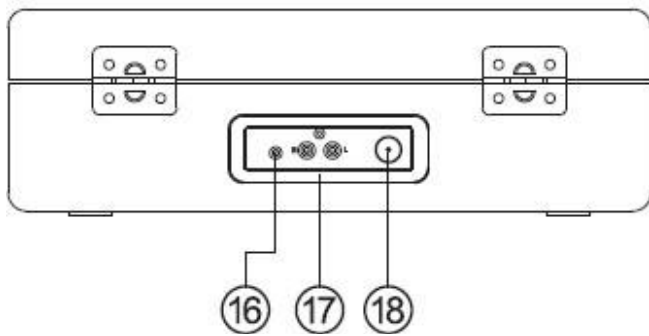
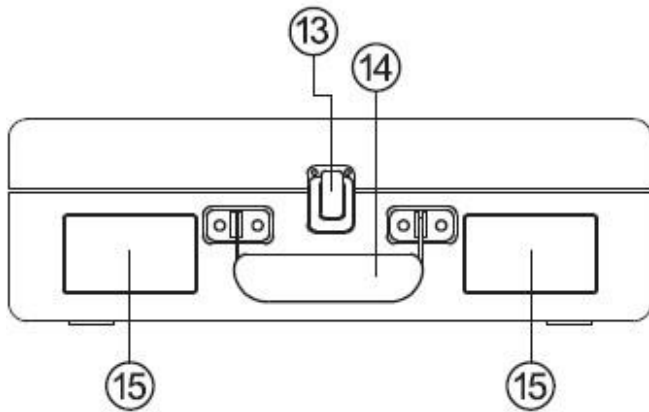
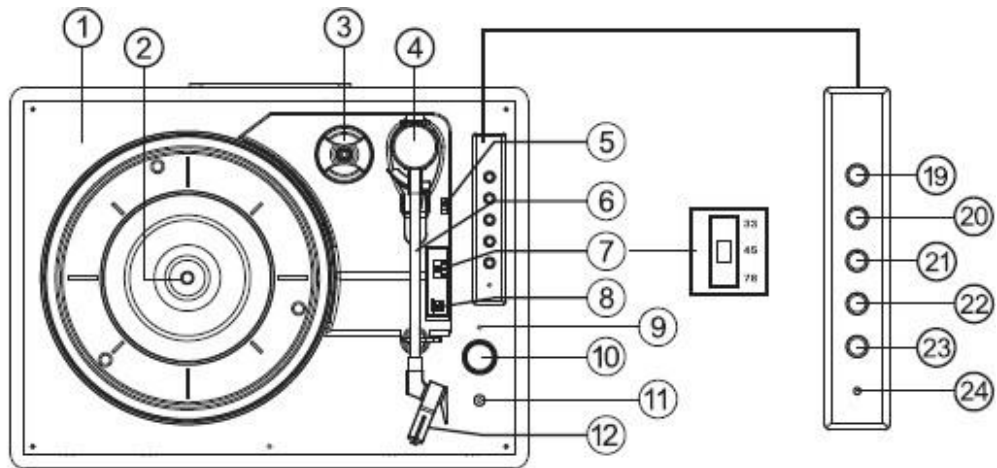
User manual



Power adaptor



Location of Controls



1. Turntable deck
2. Turntable shaft
3. Center hole adaptor
4. Tone arm
5. Cueing lever
6. Tone arm clip

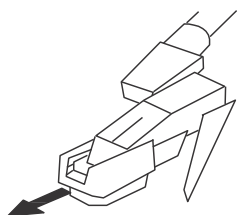
7. Turntable speed selector
8. Auto stop control switch
9. LED status indicator
10. Power switch/Volume control
11. Headphone jack
12. Stylus
13. Lock catch
14. Carrying handle
15. Speaker
16. Aux in jack
17. Line out channel R/L
18. DC in jack
19. Pair
20. Previous track
21. Next track
22. Play/pause
23. Mode
24. Mode indicator

Mode

1. Short press “Mode” to select the playing mode.
2. Blue LED will be flashed when Bluetooth is pairing.
3. Blue LED will be illuminated when Bluetooth is connected
4. Red LED will be illuminated when it is turntable mode.
5. Green LED will be illuminated when it is Aux in mode.

Using the turntable

1. Place the turntable case on a flat level surface.
2. Insert the adaptor cord into the Dc jack at the rear of the case and plug the adaptor into the mains supply socket.
3. On first use, ensure that the cable tie is removed from the player arm.
4. Remove the stylus cover and keep in a safe place for future use



5. Move the speed selector to the speed (33,45 or 78rpm) corresponding to the record to be played
6. Turn the Volume knob to turn the turntable on and the mode indicator will illuminate red
7. Place a record onto the turntable spindle and unclip the tone arm
8. Use the cuing lever to lift the tone arm and move the arm so that the stylus is positioned just inside the edge of the record or aligned with the start of the track to be played.
9. Slowly lower the arm and after a short interval the record will start to play
10. Adjust the volume to the desired level by rotating the volume control knob
11. When the end of the record has been reached the turntable will stop
12. Use the lever again to lift the tone arm (the deck will start to rotate again), move it back to the clip and lower into the cradle. The deck will stop
13. Secure the tone arm using the clip and refit the stylus cover after use and always before moving the turntable
14. To turn off the turntable at any time, lift the tone arm on the record and turn the volume knob fully anticlockwise.

Note

Some records have larger center hole and it may be necessary to fit the center hole adaptor to the turntable shaft before placing the record on the turntable. Always refit the stylus cover and secure the turntable arm using the clip before moving the turntable.

Using with auxiliary device

1. Auxiliary analogue audio equipment can be connected and amplified via the turntable.
2. Connect the auxiliary equipment using a 3.5mm jack cable (cable not included) into the LINE IN jack.
3. Press the play button on the auxiliary equipment and use the track controls as usual on the auxiliary device.
4. The volume can be adjusted using the volume knob on the turntable or the controls on the connected auxiliary device.
5. To turn off the unit at any time turn the volume knob fully anticlockwise.

Using headphones (not included)

A stereo headphone jack has been provided so that the turntable can be used without disturbing others. Plug in the headphones at the point marked headphone near the volume knob and adjust the listening volume to your chosen level. Excessive sound pressure from earphones and headphones can cause hearing loss. The turntable speakers will not operate when earphones are fitted.

Connecting the turntable to external speaker

In connecting the turntable to external speakers (via a suitable amplifier)

Use a twin phono to twin phono lead (not included) to connect the RCA output jacks to the Audio in of the amplifier. Ensure red plugs are inserted into the red sockets and white into white.

Using with Bluetooth device

Check that your turntable is in Bluetooth mode. If you are not already in Bluetooth mode, short press the Mode button until you are in Bluetooth mode (Blue LED will be illuminated). It will begin to search for Bluetooth devices (Blue LED flashed during pairing).

In Bluetooth Mode:

1. Your device will search for Bluetooth.
2. On the device (e.g. iPhone/iPad/Android/other phone/Tablet/Computer), turn on Bluetooth connectivity and ensure that it is 'discoverable'.

Note: If necessary, refer to the instructions for your device to add or set up Bluetooth.

3. Select to 'Add new device', if necessary.

Note: Some products will automatically search for a new device and so the 'Add new device' option is not available.

4. When found, your device will be displayed as 'Lenco TT-110'. Select and begin pairing.
5. When pairing is complete 'Bluetooth Connected' will be displayed.
6. Now that you have paired your device with the turntable, it will connect to it when it is within range, which is about 10 meter or less (33 feet or less), line of sight.
7. Your device will remain paired with the turntable unless you decide to disconnect or 'unpair' it.
8. You can short press "Pair" to reconnect.

Playing Bluetooth

1. Press "Back" for previous track of your Bluetooth device.
2. Press "Next" for next track of your Bluetooth device.
3. Press "Play/pause" for play or pause of your Bluetooth device.

"This product has a bluetooth **reception function, **you can not transmit any bluetooth sound with it: this means that you can receive wirelessly a bluetooth sound signal from an external source like a smartphone."****

HOW TO REPLACE THE NEEDLE

To replace the needle, please refer to the instructions below.

Removing the needle from the cartridge

1. Place a screwdriver at the tip of the stylus and push downward as shown in direction "A".
2. Remove the stylus by pulling the stylus forward and pushing downward.

Installing the Stylus

1. Hold the tip of the stylus and insert the stylus by pressing as shown in direction "B".

2. Push the stylus upward as in direction “C” until the stylus locks into the tip position.



NOTES

We advise you to clean your records with an anti-static cloth to gain maximum enjoyment from them.

We would also point out that for the same reason your stylus should be replaced periodically (approximately every 250 playback hours)

TIPS FOR BETTER TURNTABLE PERFORMANCE

1. When opening or closing the turntable cover, handle it gently, gripping it either at the centre or at each side.
2. Do not touch the needle tip with your fingers; avoid bumping the needle against the turntable platter or record edge.
3. Frequently clean the needle tip-use a soft brush in a “back-to-front” motion only.
4. If you must use a needle cleaning fluid, use very sparingly.
5. Gently wipe the turntable player housing with a soft cloth. Use only a small amount of mild detergent to clean the turntable player.
6. Never apply harsh chemicals or solvents to any part of the turntable system.

SPECIFICATIONS

Type	Belt drive
drive motor	DC motor
speed	33 1/3 rpm, 45 rpm, 78 rpm
wow and flutter	<0.35%
turntable platter	200mm
cartridge	
Type	ceramic cartridge
Stylus	0.7 mil
optimum tracking force	6 gram
output	300-500mv

Guarantee

Commaxx B.V. offers service and warranty in accordance to European law, which means that in case of repairs (both during and after the warranty period) you should contact your local dealer.

Important note: It is not possible to send products that need repairs to Commaxx B.V. directly.

Important note: If this unit is opened or accessed by a non-official service center in any way, the warranty expires.

This device is not suitable for professional use. In case of professional use, all warranty obligations of the manufacturer will be voided.

Disclaimer

Updates to Firmware and/or hardware components are made regularly. Therefore some of the instruction, specifications and pictures in this documentation may differ slightly from your particular situation. All items described in this guide for illustration purposes only and may not apply to particular situation. No legal right or entitlements may be obtained from the description made in this manual.

Disposal of the Old Device



This symbol indicates that the relevant electrical product or battery should not be disposed of as general household waste in Europe. To ensure the correct waste treatment of the product and battery, please dispose them in accordance to any applicable local laws of requirement for disposal of electrical equipment or batteries. In so doing, you will help to conserve natural resources and improve standards of environmental protection in treatment and disposal of electrical waste (Waste Electrical and Electronic Equipment Directive).

DECLARATION OF CONFORMITY

Hereby, Commaxx declares that the radio equipment type [Lenco TT-110] is in compliance with directive 2014/53/EU. The full text of the EU declaration of conformity is available at the following internet address: https://commaxx-certificates.com/doc/tt-110_doc.pdf

Type RF	Frequency range (MHz)	Power (dBm)
Bluetooth	2402-2480	<6



WARNING: To prevent possible hearing damage, do not listen at high volume levels for long periods.

Service

For more information and helpdesk support, please visit www.lenco.com

Commaxx B.V. Wiebachstraat 37, 6466 NG Kerkrade, The Netherlands.

LET OP:

Gebruik van bedieningen of afstellingen of uitvoer van procedures anders dan gespecificeerd in deze documentatie kan leiden tot blootstelling aan schadelijke straling.

VOORZORGSMAATREGELEN VOOR GEBRUIK

ONTHOUD DE VOLGENDE INSTRUCTIES:

1. Bedek of blokkeer de ventilatieopeningen niet. Wanneer u het apparaat op een schap plaatst, dient u 5 cm (2") vrije ruimte rondom het gehele apparaat te behouden.
2. Installeer het product volgens de meegeleverde gebruikershandleiding.
3. Houd het apparaat uit de buurt van hittebronnen, zoals radiatoren, verwarmingen, kachels, kaarsen en andere hittegenererende producten of open vuur. Het apparaat kan alleen worden gebruikt in een gematigd klimaat. Extreem koude of warme omgevingen dienen te worden vermeden. Bedrijfstemperatuur tussen 0 °C en 35 °C.
4. Gebruik dit apparaat niet in de buurt van krachtige magnetische velden.
5. Elektrostatische ontlading kan normaal gebruik van dit apparaat verstoren. U hoeft het apparaat in dit geval slechts te resetten en opnieuw op te starten volgens de gebruikershandleiding. Wees voorzichtig tijdens bestandsoverdracht en gebruik het product in een omgeving zonder statische interferentie.
6. Waarschuwing! Steek nooit een voorwerp via de ventilatie- of andere openingen in het product. Er is hoogspanning in het product aanwezig en als u er een object insteekt, kan dat een elektrische schok veroorzaken en/of kortsluiting in de interne onderdelen. Mors om dezelfde reden geen water of vloeistof op het product.
7. Gebruik het toestel niet in vochtige ruimtes, zoals badkamers, stomende keukens of in de buurt van zwembaden.
8. Het apparaat mag niet worden blootgesteld aan druppels en spetters en zorg ervoor dat er geen met vloeistof gevulde voorwerpen, zoals vazen, op of in de buurt van het apparaat worden geplaatst.
9. Gebruik dit apparaat niet wanneer condensatie kan optreden. Wanneer het apparaat in een warme en vochtige kamer wordt gebruikt, dan kunnen er waterdruppels of condensatie binnenin het apparaat worden gevormd waardoor het apparaat mogelijk niet meer goed functioneert; houd het apparaat 1 of 2 uur op UIT staan voordat u de voeding weer inschakelt: het apparaat dient droog te zijn voordat deze stroom ontvangt.
10. Alhoewel dit apparaat met grote zorg gefabriceerd en verschillende keren geïnspecteerd is voordat het de fabriek verlaat, is het nog steeds mogelijk dat er problemen optreden, zoals met alle elektrische apparaten. Als u rook, een overmatige hitteontwikkeling of enig ander onverwacht verschijnsel opmerkt, moet u onmiddellijk de stekker van het netsnoer uit het stopcontact halen.
11. Dit apparaat moet werken op een voedingsbron, zoals aangegeven op het specificatieplaatje. Als u twijfelt over het type voeding dat gebruikt wordt in uw huis, raadpleeg dan uw dealer of plaatselijk energiebedrijf.
12. Buiten bereik van dieren houden. Sommige dieren bijten graag aan netsnoeren.
13. Gebruik een zacht, droog doekje om het apparaat te reinigen. Gebruik geen oplosmiddelen of op benzine gebaseerde vloeistoffen. U kunt een vochtig doekje met verdund schoonmaakmiddel gebruiken om hardnekkige vlekken te verwijderen.
14. De leverancier is niet verantwoordelijk voor schade of verloren gegevens veroorzaakt door storing, misbruik, modificatie van het apparaat of batterijvervangning.
15. Onderbreek nooit de verbinding wanneer het apparaat formatteert of bestanden overdraagt. De gegevens kunnen anders corrupt of verloren raken.
16. Indien het apparaat een USB-afspeelfunctie heeft, moet de USB-geheugenstick rechtstreeks op het apparaat worden aangesloten. Gebruik geen USB-verlengkabel, omdat die kan leiden tot storingen met foutieve gegevens als gevolg.
17. Het nominale specificatielabel is te vinden op het paneel aan de onder- of achterkant van het apparaat.
18. Dit apparaat is niet bestemd voor gebruik door mensen (inclusief kinderen) met fysieke, zintuiglijke of geestelijke gebreken of gebrek aan kennis en ervaring, tenzij zij onder toezicht staan of instructies hebben over het juiste gebruik van het apparaat hebben gekregen van de persoon die verantwoordelijk is voor hun veiligheid.
19. Dit product is alleen voor niet-professioneel gebruik bedoeld en niet voor commercieel of industrieel gebruik.

20. Verzeker u ervan dat het apparaat in een stabiele positie staat opgesteld. Beschadigingen veroorzaakt door het gebruik van dit apparaat in een onstabiele positie, trillingen of schokken of door het niet opvolgen van andere waarschuwingen of voorzorgsmaatregelen beschreven in deze gebruikshandleiding worden niet gedekt door de garantie.
21. Verwijder nooit de behuizing van dit apparaat.
22. Plaats dit apparaat nooit op andere elektrische apparatuur.
23. Geef kinderen geen gelegenheid in aanraking met plastic zakken te komen.
24. Gebruik uitsluitend uitbreidingen/accessoires gespecificeerd door de fabrikant.
25. Laat alle reparaties over aan gekwalificeerd onderhoudspersoneel. Onderhoud is nodig wanneer het toestel op enige wijze beschadigd is, zoals het netsnoer of de stekker, wanneer er vloeistof in het toestel is gemorst of voorwerpen in zijn terechtgekomen, wanneer het toestel aan regen of vocht is blootgesteld, niet normaal werkt of is gevallen.
26. Langdurige blootstelling aan harde geluiden van persoonlijke muzikspelers kan leiden tot tijdelijk of permanent gehoorverlies.
27. Als het product wordt geleverd met voedingskabel of AC-stroomadapter:
 - Als er problemen optreden, koppel de wisselstroomvoedingskaart dan los en laat reparaties over aan bevoegd personeel.
 - Nooit op de stroomadapter stappen of deze indrukken. Wees voornamelijk voorzichtig in de buurt van de stekkers en het punt waar de kabel uit het apparaat komt. Plaats geen zware voorwerpen op de stroomadapter, om beschadiging ervan te voorkomen. Houd het gehele apparaat buiten bereik van kinderen! Wanneer kinderen met de voedingskabel spelen, kunnen zij ernstig letsel oplopen.
 - Haal de stekker uit het stopcontact tijdens onweer of wanneer u deze langere tijd niet gebruikt.
 - Het stopcontact moet in de buurt van de apparatuur zijn geïnstalleerd en eenvoudig te bereiken zijn.
 - Overbelast stopcontacten of verlengsnoeren niet. Overbelasting kan brand of een elektrische schok veroorzaken.
 - Apparaten met een Klasse 1 structuur dienen te worden aangesloten op een stopcontact met een beschermende aardverbinding.
 - Apparaten met een Klasse 2 structuur vereisen geen aardverbinding.
 - Houd altijd de stekker vast wanneer u deze uit het stopcontact trekt. Trek nooit aan de voedingskabel. Dit kan tot een kortsluiting leiden.
 - Gebruik nooit een beschadigde voedingskabel of stekker of een los stopcontact. Dit vormt namelijk een risico op brand of elektrische schokken.
28. Indien het product knoopcelbatterijen bevat of wordt geleverd met een afstandsbediening die knoopcelbatterijen bevat:

Waarschuwing:

 - "Batterij niet inslikken, chemisch brandgevaar" of gelijkwaardige werking.
 - (De afstandsbediening meegeleverd met) Dit product bevat een munt/knoopcelbatterij. Als de batterij wordt ingeslikt, kan deze in slechts 2 uur ernstige interne brandwonden veroorzaken en tot de dood leiden.
 - Houd nieuwe en gebruikte batterijen buiten bereik van kinderen.
 - Als de batterijhouder niet goed kan worden gesloten, dient u het product niet meer te gebruiken en buiten bereik van kinderen te houden.
 - Als u denkt dat batterijen zijn ingeslikt of binnenin een willekeurig lichaamsdeel terecht zijn gekomen, dient u onmiddellijk medische hulp te zoeken.
29. Waarschuwing m.b.t. het gebruik van batterijen:
 - Als de batterij onjuist wordt geplaatst, bestaat er explosiegevaar. Vervang de batterij alleen door een zelfde of vergelijkbare soort batterij.
 - Stel de batterij niet bloot aan extreem hoge of lage temperaturen of een lage luchtdruk op grote hoogte tijdens gebruik, opslag of transport.
 - Vervanging van een batterij door een incorrect type kan leiden tot een ontploffing of de lekkage van ontvlambare vloeistoffen of gas.
 - Verwijdering van een batterij in vuur of een hete oven of het mechanisch verpletteren of snijden van een batterij kan leiden tot een ontploffing.
 - Laat een batterij nooit achter in omgevingen met extreem hoge temperaturen, anders kan dit leiden tot een ontploffing of de lekkage van ontvlambare vloeistoffen of gas.

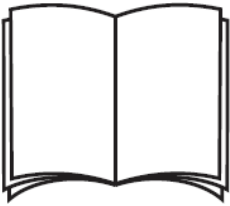
- Stel een batterij nooit bloot aan een extreem lage luchtdruk, anders kan dit leiden tot een ontploffing of de lekkage van ontvlambare vloeistoffen of gas.
- Aandacht voor het milieu is nodig bij het verwijderen van de batterijen.

INSTALLATIE

- Pak alle onderdelen uit en verwijder de beschermende materialen.
- Sluit het apparaat niet aan op het stopcontact, voordat u de netspanning hebt gecontroleerd en voordat alle andere aansluitingen zijn gemaakt.

Inbegrepen toebehoren:

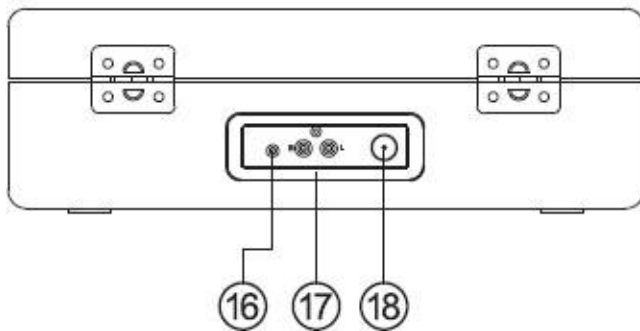
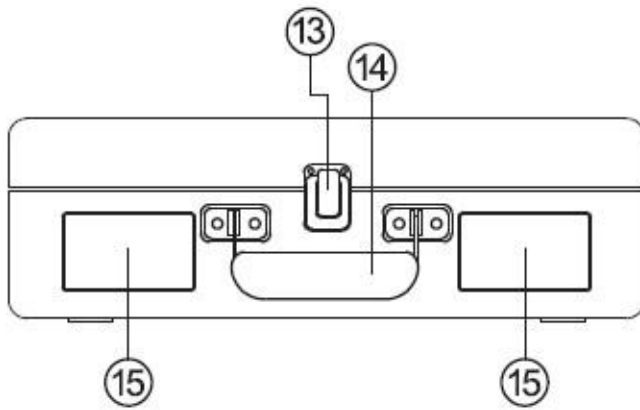
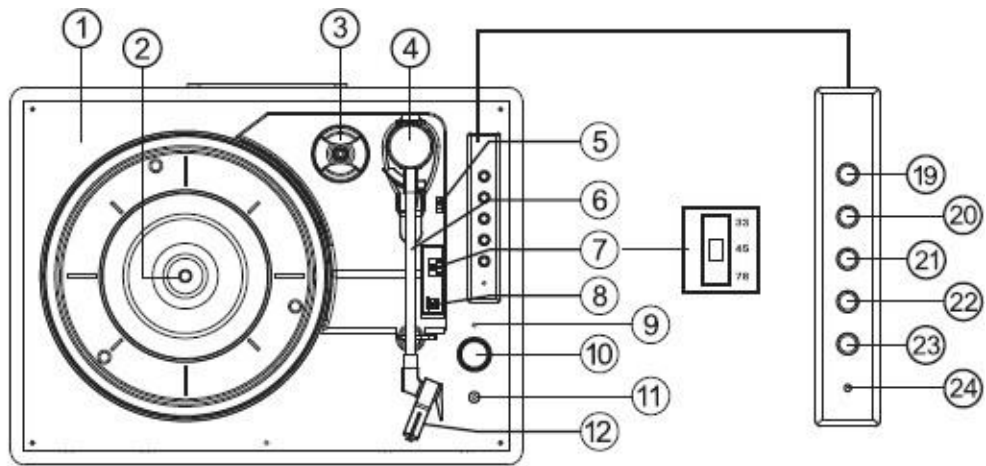
Handleiding



Voedingsadapter



Plaats van de bedieningen



1. Dek platenspeler
2. Platenspeleras
3. Middengatadapter
4. Toonarm
5. Hendel
6. Toonarmclip

7. Toerenregelaar platenspeler
8. Bedieningsschakelaar automatische stop
9. Ledstatusindicator
10. Aan/uit-knop/volumeknop
11. Koptelefoonaansluiting
12. Stylus
13. Slot
14. Handgreep om te dragen
15. Luidspreker
16. Aux in-aansluiting
17. Line-uitgang kanaal R/L
18. DC in-aansluiting
19. Koppelen
20. Vorige nummer
21. Volgende nummer
22. Afspelen/pauzeren
23. Modus
24. Modusindicator

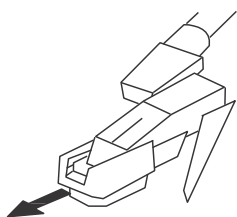
Modus

1. Druk kort op "Mode (Modus)" om de afspeelmodus te selecteren.
2. De blauwe led knippert als de bluetooth wordt gekoppeld.
3. De blauwe led licht op wanneer de bluetooth is verbonden.
4. De rode led licht op wanneer het in de platenspelermodus staat.
5. De groene led licht op als het in Aux in-modus staat.

De platenspeler gebruiken

1. Plaats de platenspeler op een vlak en waterpas oppervlak.
2. Steek de voedingskabel in de DC-ingang aan de achterkant van de behuizing en steek de stekker in een stopcontact.
3. Zorg ervoor dat bij eerste gebruik de , zorg ervoor dat de kabelbinder wordt verwijderd van de toonarm.

4. Verwijder de styluskap en bewaar deze op een veilige plaats voor toekomstig gebruik



5. Stel de toerenregelaar in op het juiste aantal toeren (33,45 of 78 rpm) die overeenkomt met de af te spelen plaat.
6. Draai aan de volumeknop om de platenspeler in te schakelen. De modusindicator zal rood oplichten.
7. Plaats een plaat op de platenspeler en maak de toonarm los
8. Gebruik de hendel om de toonarm op te tillen en verplaats de toonarm, zodat de stylus net binnen de rand van de plaat is gepositioneerd of uitgelijnd is met het begin van het af te spelen nummer.
9. Laat de toonarm langzaam zakken. Na een korte pauze begint de plaat af te spelen
10. Stel het volume in op het gewenste niveau door aan de volumeknop te draaien
11. De platenspeler stopt wanneer het einde van de plaat is bereikt.
12. Gebruik de hendel opnieuw om de toonarm op te tillen (het dek begint weer te draaien), beweeg de toonarm terug naar de clip en laat de toonarm zakken in de houder. Het dek stopt.
13. Beveilig de toonarm met behulp van de clip en plaats de styluskap terug na gebruik en altijd bij het verplaatsen van de platenspeler.
14. Til de toonarm op van de plaat en draai de volumeknop linksom om de platenspeler uit te schakelen.

Opmerking

Sommige platen hebben een groter middengat en het kan nodig zijn om de middengatadapter op de platenspeler te plaatsen voordat u de plaat op de platenspeler plaatst. Plaats altijd de styluskap altijd terug en beveilig de toonarm met behulp van de clip voordat u de platenspeler verplaatst.

Gebruik met hulpapparaat

1. Analoge hulpapparatuur kan op de platenspeler worden aangesloten en versterkt
2. Sluit de hulpapparatuur met behulp van een 3,5 mm aansluitkabel (kabel niet Inbegrepen) aan op de LINE IN-aansluiting.
3. Druk op de afspreeknop van de hulpapparatuur en selecteer een nummer zoals gebruikelijk op het hulpapparaat.
4. Het volume kan worden ingesteld met behulp van de volumeknop op de platenspeler of de bedieningen van het aangesloten hulpapparaat.
5. Draai de volumeknop helemaal naar links om de platenspeler uit te schakelen.

Gebruik van koptelefoon (niet inbegrepen)

Een stereo koptelefoonaansluiting is voorzien, zodat de platenspeler kan worden gebruikt zonder anderen te storen. Plug de koptelefoon nabij de gemarkeerde koptelefoon nabij de volumeknop en stel het luistervolume in op uw gekozen niveau. Overmatige geluidsdruk van oortelefoons en koptelefoons kan gehoorverlies veroorzaken. De luidsprekers van de platenspeler werken niet als een koptelefoon is aangesloten.

De platenspeler aansluiten op een externe luidspreker

Voor het aansluiten van de platenspeler op externe luidsprekers (via een geschikte versterker), gebruik een dubbele tulpverloopkabel (niet inbegrepen) om de RCA-uitgangsaansluiting aan te sluiten op de Audio in van de versterker. Zorg ervoor dat rode stekkers in de rode aansluitingen worden gestoken en de witte stekkers in de witte aansluitingen.

Gebruik met bluetoothapparaat

Controleer of uw platenspeler in bluetoothmodus staat. Als u nog niet in bluetoothmodus bent, druk dan kort op de knop Mode (Modus) totdat u in bluetoothmodus bent (de blauwe led zal oplichten). Het zal beginnen te zoeken naar bluetoothapparaten (de blauwe led knippert tijdens het koppelen).

In bluetoothmodus:

1. De platenspeler zoekt naar bluetooth.
2. Schakel op het apparaat (bijvoorbeeld iPhone/iPad/Android/andere telefoon/tablet/computer) bluetoothconnectiviteit in zorg ervoor dat het zichtbaar is.

Opmerking: Raadpleeg indien nodig de instructies voor uw apparaat om bluetooth toe te voegen of in te stellen.

3. Selecteer indien nodig "Add new device (Nieuw apparaat toevoegen)".

Opmerking: Sommige producten zullen automatisch naar een nieuw apparaat zoeken en is daarom de optie 'Add new device (Nieuw apparaat toevoegen)' niet beschikbaar.

4. Wanneer gevonden wordt uw apparaat als "Lenco TT-110" weergegeven. Selecteer en begin met koppelen.
5. Wanneer het koppelen is voltooid, wordt 'Bluetooth Connected (Bluetooth verbonden)' weergegeven.
6. Nu u uw apparaat heeft gekoppeld met de platenspeler, zal het verbinden met de platenspeler wanneer het binnen bereik is, dat is ongeveer 10 meter of minder.
7. Uw apparaat blijft gekoppeld met de platenspeler tenzij u besluit de verbinding los te koppelen of te ontkoppelen.
8. U kunt kort op "Pair (Koppelen)" drukken om opnieuw verbinding te maken.

Bluetooth afspelen

1. Druk op "Back (Terug)" Voor het vorige nummer van uw bluetoothapparaat.
2. Druk op "Next (Volgende)" voor het volgende nummer van uw bluetoothapparaat.
3. Druk op "Play/pause (Afspelen/pauzeren)" om uw bluetoothapparaat af te spelen of te pauzeren.

“Dit product is voorzien van een Bluetooth-ontvangstfunctie, u kunt er geen Bluetooth-audio mee sturen: dit betekent dat u van een externe bron zoals een smartphone draadloos een Bluetooth-audiosignaal kunt ontvangen.”

HET VERVANGEN VAN DE NAALD

Om de naald te vervangen, verwijzen wij u naar de onderstaande instructies. Het verwijderen van de naald uit het element

1. Plaats een schroevendraaier tegen de punt van de stylus en duw naar onderen zoals weergegeven in aanwijzing “A”.
2. Verwijder de stylus door de stylus naar voren te trekken en naar onderen te duwen.

De stylus installeren

1. Houd de punt van de stylus vast en steek de stylus in door te drukken zoals weergegeven in aanwijzing “B”.
2. Duw de stylus naar boven zoals in aanwijzing “C” totdat de stylus in de puntstand staat.



EN	NL
Guide Pins (inside)	Geleidepennen (binnen)

OPMERKINGEN

Wij adviseren u uw platen schoon te maken met een anti-statische doek om maximaal van ze te genieten. Om dezelfde reden dient uw stylus periodiek te worden vervangen (circa elke 250 afspeeluren).

TIPS VOOR EEN GOED GEBRUIK VAN UW PLATENSPELER

1. Ga voorzichtig te werk bij het openen of sluiten van de stofkap door deze in het midden of aan beide zijden tegelijk vast te pakken.
2. Raak de naaldpunt niet met uw vingers aan. Vermijd het stoten van de naald tegen de draaitafel of tegen de rand van de plaat.
3. Reinig de naald regelmatig. Gebruik daarvoor een zachte borstel en beweeg alleen van achteren naar voren.
4. Als u een reinigingsvloeistof voor de naald moet gebruiken, gebruik deze dan zeer spaarzaam.
5. Veeg de behuizing van de platenspeler voorzichtig af met een zachte doek. Gebruik slechts een klein

Informatie	Waarde en precisie
Naam of handelsmerk van de fabrikant, handelsregistratie en adres	DongGuan Obelieve Electronic Co., Ltd Huazhaoxin Industrial park B-4 / F, Golden phoenix industrial zone, Fenggan town, Dongguan city, Guangdong province, China
Modelaanduiding	OBL-0501000E
Ingangsspanning	100-240 V
Ingangsfrequentie wisselstroom	50/60 Hz
Uitgangsspanning	5 V
Uitgangsstroom	1 A
Uitgang	5 W
Gemiddelde actieve efficiëntie	73,62
Verbruik onbelast vermogen	≤ 0.10

Garantie

Commaxx B.V. biedt service en garantie aan overeenkomstig met de Europese wetgeving. Dit houdt in dat u, in het geval van reparaties (zowel tijdens als na de garantieperiode), uw lokale handelaar moet contacteren. Belangrijke opmerking: Het is niet mogelijk om producten die moeten worden gerepareerd rechtstreeks naar Commaxx B.V. te sturen.

Belangrijke opmerking: De garantie verloopt als een onofficieel servicecenter het apparaat op wat voor manier dan ook heeft geopend, of er toegang toe heeft gekregen.

Het apparaat is niet geschikt voor professioneel gebruik. In het geval van professioneel gebruik worden alle garantieverplichtingen van de fabrikant nietig verklaard.

Disclaimer

Er worden regelmatig updates in de firmware en/of hardwarecomponenten gemaakt. Daardoor kunnen gedeelten van de instructie, de specificaties en afbeeldingen in deze documentatie enigszins verschillen van uw eigen situatie. Alle onderwerpen die staan beschreven in deze handleiding zijn bedoeld als illustratie en zijn niet van toepassing op specifieke situaties. Aan de beschrijving in dit document kunnen geen rechten worden ontleend.

Afvoer van het oude apparaat



Dit symbool geeft aan dat het betreffende elektrische product of de accu/batterij niet mag worden verwijderd als algemeen huishoudelijk afval in Europa. Zorg voor een juiste afvalverwerking door het product en de accu/batterij in overeenstemming met alle van toepassing zijnde lokale wetten voor het verwijderen van elektrische apparatuur of accu's/batterijen te verwijderen. Als u dit doet, helpt u de natuurlijke bronnen te behouden en de standaard van milieubescherming te verbeteren bij de behandeling en verwijdering van elektrisch afval (Afgedankte Elektrische en Elektronische Apparatuur).

VERKLARING VAN CONFORMITEIT

Hierbij verklaar ik, Commaxx, dat het type radioapparatuur [Lenco TT-110] conform is met Richtlijn 2014/53/EU. De volledige tekst van de EU-conformiteitsverklaring kan worden geraadpleegd op het volgende internetadres: https://commaxx-certificates.com/doc/tt-110_doc.pdf

Type RF	Frequentiebereik (MHz)	Vermogen (dBm)
Bluetooth	2402-2480	<6



WAARSCHUWING: Luister nooit voor lange tijd op hoge volumenniveaus, om mogelijke gehoorbeschadiging te voorkomen.

Service

Bezoek voor meer informatie en helpdeskondersteuning www.lenco.com

Commaxx B.V. Wiebachstraat 37, 6466 NG Kerkrade, The Netherlands.

ACHTUNG:

Eine andere als die hier beschriebene Bedienung, Einstellung oder Verwendung der Funktionen kann zu gefährlicher Strahlenbelastung führen.

VORSICHTSMASSNAHMEN VOR DER BENUTZUNG

BEFOLGEN SIE IMMER FOLGENDE ANWEISUNGEN:

1. Blockieren oder bedecken Sie keine Lüftungsöffnungen. Wenn Sie das Gerät auf ein Regal stellen, lassen Sie um das gesamte Gerät 5 cm (2") freien Platz.
2. Stellen Sie das Gerät entsprechend den Anweisungen der mitgelieferten Bedienungsanleitung auf.
3. Halten Sie das Gerät von Hitzequellen wie Radiatoren, Heizern, Öfen, Kerzen oder anderen hitzeerzeugenden Produkten oder offenen Flammen fern. Das Gerät darf nur bei gemäßigttem Klima verwendet werden. Sehr kalte oder heiße Umgebungen sind zu vermeiden. Die Betriebstemperatur liegt zwischen 0 °C und 35 °C.
4. Meiden Sie bei der Nutzung des Produkts die Nähe starker Magnetfelder.
5. Elektrostatische Entladungen können die normale Verwendung von diesem Gerät stören. Sollte dies geschehen, führen Sie einfach einen Reset aus und starten Sie dann das Gerät entsprechend den Anweisungen dieser Bedienungsanleitung neu. Gehen Sie besonders bei Datenübertragungen mit dem Gerät vorsichtig um und führen Sie diese nur in einer antielektrischen Umgebung aus.
6. Warnung! Niemals Gegenstände durch die Lüftungsschlitze oder Öffnungen in das Gerät stecken. In diesem Gerät fließt Hochspannung und das Hineinstecken von Gegenständen kann zu elektrischem Schock und/oder Kurzschluss interner elektrischer Bauteile führen. Aus dem gleichen Grund kein Wasser oder Flüssigkeiten in das Gerät geben.
7. Benutzen Sie das Gerät nicht in nasser oder feuchter Umgebung wie Bad, Dampfküche oder in der Nähe von Schwimmbecken.
8. Das Gerät darf weder Tropf- noch Spritzwasser ausgesetzt werden und es dürfen keine mit Flüssigkeit gefüllten Behälter wie z.B. Vasen auf das Gerät oder in der Nähe des Gerätes gestellt werden.
9. Benutzen Sie das Gerät nicht bei Kondensationsgefahr. Wenn Sie das Gerät in einem warmen feuchten Raum mit Dampf benutzen, dann können Wassertropfen oder Kondensation in das Gerät eindringen und u. U. zu Fehlfunktionen des Geräts führen. Schalten Sie in diesem Fall das Gerät für 1 – 2 Stunden aus, bevor Sie es erneut einschalten: Das Gerät sollte vollständig getrocknet sein, wenn Sie es wieder einschalten.
10. Obwohl dieses Gerät unter größter Sorgfalt und vor Auslieferung mehrmals überprüft wurde, können trotzdem wie bei jedem anderen elektrischen Gerät auch Probleme auftauchen. Trennen Sie das Gerät im Falle einer Rauchentwicklung, starker Hitzeentwicklung oder jeden anderen unnatürlichen Erscheinung sofort vom Netz.
11. Dieses Gerät ist durch eine Stromquelle wie auf dem Typenschild angegeben zu betreiben. Halten Sie bei Unsicherheiten über die Art Ihrer Stromversorgung in Ihrer Wohnung Rücksprache mit Ihrem Händler oder Ihrer Stromzuliefererfirma.
12. Halten Sie es von Haustieren fern. Einige Nagetiere lieben es, an Netzkabeln zu nagen.
13. Benutzen Sie für die Reinigung ein weiches und trockenes Tuch. Benutzen Sie niemals Lösungsmittel oder Flüssigkeiten auf Ölbasis. Benutzen Sie zum Entfernen hartnäckiger Flecken ein feuchtes Tuch mit mildem Reinigungsmittel.
14. Der Hersteller haftet nicht für Schäden oder Verluste durch Fehlfunktion, Zweckentfremdung oder Modifikation des Geräts oder durch Wechseln der Batterien.
15. Unterbrechen Sie die Verbindung nicht während einer Formatierung oder einer Datenübertragung. Bei Unterbrechung drohen Datenverlust und Datenbeschädigung.
16. Wenn das Gerät eine USB-Wiedergabefunktion besitzt, dann stecken Sie den USB-Stick direkt in das Gerät. Verwenden Sie kein USB-Verlängerungskabel, weil die erhöhte Störungsanfälligkeit zu Datenverlust führen könnte.
17. Das Typenschild befindet sich an der Unter- oder Rückseite des Gerätes.
18. Dieses Gerät ist nicht zur Benutzung durch Personen (auch Kinder) mit physischen, sensorischen oder mentalen Beeinträchtigungen oder ohne ausreichender Erfahrung vorgesehen, es sei denn, sie werden durch eine verantwortliche Person beaufsichtigt oder wurden in die ordnungsgemäße Bedienung des Gerätes durch eine für ihre Sicherheit verantwortlichen Person eingewiesen.

19. Dieses Produkt ist nur für den nicht-professionellen Gebrauch und nicht für gewerbliche oder industrielle Zwecke bestimmt.
20. Stellen Sie sicher, dass das Gerät in einer stabilen Position aufgestellt ist. Schäden, die durch Verwendung dieses Produkts in einer instabilen Position, durch Vibrationen, Stöße oder Nichtbeachtung der anderen in diesem Handbuch enthaltenen Warnungen und Vorwarnungen entstehen, werden nicht durch die Garantie abgedeckt.
21. Entfernen Sie niemals das Gehäuse dieses Produkts.
22. Stellen Sie das Produkt niemals auf andere elektrische Geräte.
23. Halten Sie Kinder von den Plastiktüten fern.
24. Benutzen Sie nur vom Hersteller spezifizierte Erweiterungen/Zubehörteile.
25. Lassen Sie alle Eingriffe von qualifiziertem Servicepersonal ausführen. Eingriffe werden notwendig, wenn das Gerät in irgendeiner Weise beschädigt wurde, beispielsweise am Netzkabel oder am Netzstecker oder wenn Flüssigkeit in das Gerät gelangt ist bzw. Gegenstände in das Gerät gefallen sind, das Gerät Regen oder Feuchtigkeit ausgesetzt war, es heruntergefallen ist oder nicht ordnungsgemäß funktioniert.
26. Langes Hören lauter Töne aus einem Musikgerät kann zum zeitweiligen oder permanenten Hörverlust führen.
27. Wenn zum Lieferumfang des Produkts ein Netzkabel oder ein Netzadapter gehört:
 - Wenn irgendwelche Probleme auftreten, dann trennen Sie das Gerät vom Stromnetz und setzen Sie sich anschließend mit einer qualifizierten Fachkraft in Verbindung.
 - Treten Sie nicht auf das Netzteil und klemmen Sie es auch nicht ein. Seien Sie im näheren Bereich des Steckers und der Herausführungen des Kabels besonders vorsichtig. Stellen Sie keine schweren Gegenstände auf das Netzteil, weil es dadurch beschädigt werden könnte. Halten Sie das gesamte Gerät außerhalb der Reichweite von Kindern! Durch Spielen mit dem Netzkabel können sie sich ernsthafte Verletzungen zuziehen.
 - Trennen Sie das Gerät während eines Gewitters oder bei längerer Nichtbenutzung vom Netz.
 - Die Wandsteckdose muss sich in der Nähe des Geräts befinden und einfach zu erreichen sein.
 - Steckdosen und Verlängerungsleitungen nicht überlasten. Eine Überlastung kann zu Brandgefahr bzw. Stromschlag führen.
 - Geräte der Schutzklasse 1 sind an eine Netzsteckdose mit Schutzleiter anzuschließen.
 - Geräte der Schutzklasse 2 benötigen keinen Schutzleiteranschluss.
 - Halten Sie den Netzstecker in der Hand, wenn Sie ihn aus der Netzsteckdose ziehen. Ziehen Sie ihn nicht durch Zerren am Kabel heraus. Das kann zu einem Kurzschluss führen.
 - Verwenden Sie weder ein beschädigtes Netzkabel noch einen beschädigten Stecker oder eine lockere Steckdose. Es besteht Brand- und Stromschlaggefahr.
28. Wenn das Produkt mit einer Fernbedienung mit Batterien/Knopfzellen geliefert wird oder das Produkt eine derartige Fernbedienung umfasst:

Warnung:

 - „Die Batterie nicht einnehmen, er besteht Verätzungsgefahr“.
 - [Die mit diesem Produkt mitgelieferte Fernbedienung] enthält eine Knopfzelle. Das Verschlucken der Batterie kann innerhalb von nur 2 Stunden zu schwersten inneren Verbrennungen mit Todesfolge führen.
 - Halten Sie neue und gebrauchte Batterien von Kindern fern.
 - Verwenden Sie dieses Produkt nicht weiter und halten Sie es von Kindern fern, wenn das Batteriefach nicht sicher schließt.
 - Suchen Sie umgehend ärztliche Hilfe auf, wenn Sie vermuten, dass Batterien verschluckt oder in Körperöffnungen eingeführt wurden.
29. Warnhinweise bzgl. der Verwendung von Batterien:
 - Es besteht Explosionsgefahr, wenn die Batterien nicht korrekt eingelegt werden. Nur mit Batterien des gleichen oder entsprechenden Typs ersetzen.
 - Die Batterie darf während der Benutzung, Aufbewahrung oder des Transports weder sehr hohen oder sehr niedrigen Temperaturen noch niedrigem Luftdruck in großen Höhenlagen ausgesetzt werden.
 - Die Ersetzung der Batterie mit einem falschen Batterietyp kann zum Explodieren der Batterie oder dem Auslaufen von entflammbarem Gas oder entflammbarer Flüssigkeit aus der Batterie führen.
 - Die Entsorgung der Batterie in Feuer oder einem heißen Ofen oder das mechanische Zerkleinern oder Zerteilen der Batterie kann zu Explosionen führen.

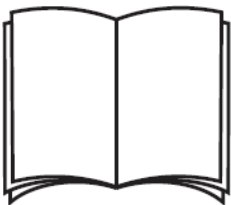
- Das Verbleiben der Batterie in einer Umgebung mit sehr hohen Temperaturen kann zum Explodieren der Batterie oder dem Auslaufen von entflammbarem Gas oder entflammbarer Flüssigkeit führen.
- Eine in einem sehr niedrigen Luftdruck ausgesetzte Batterie kann explodieren oder es kann aus einer in einem sehr niedrigen Luftdruck ausgesetzten Batterie entflammbares Gas oder entflammbare Flüssigkeit auslaufen.
- Augenmerk ist auf den ökologischen Aspekt der Batterieentsorgung zu legen.

ANBRINGEN

- Packen Sie alle Teile aus und entfernen Sie danach die Schutzmaterialien.
- Schließen Sie das Gerät nicht eher an das Netz an, bevor Sie die Netzspannung überprüft haben und alle anderen notwendigen Verbindungen hergestellt sind.

Im Lieferumfang enthaltene Zubehörteile:

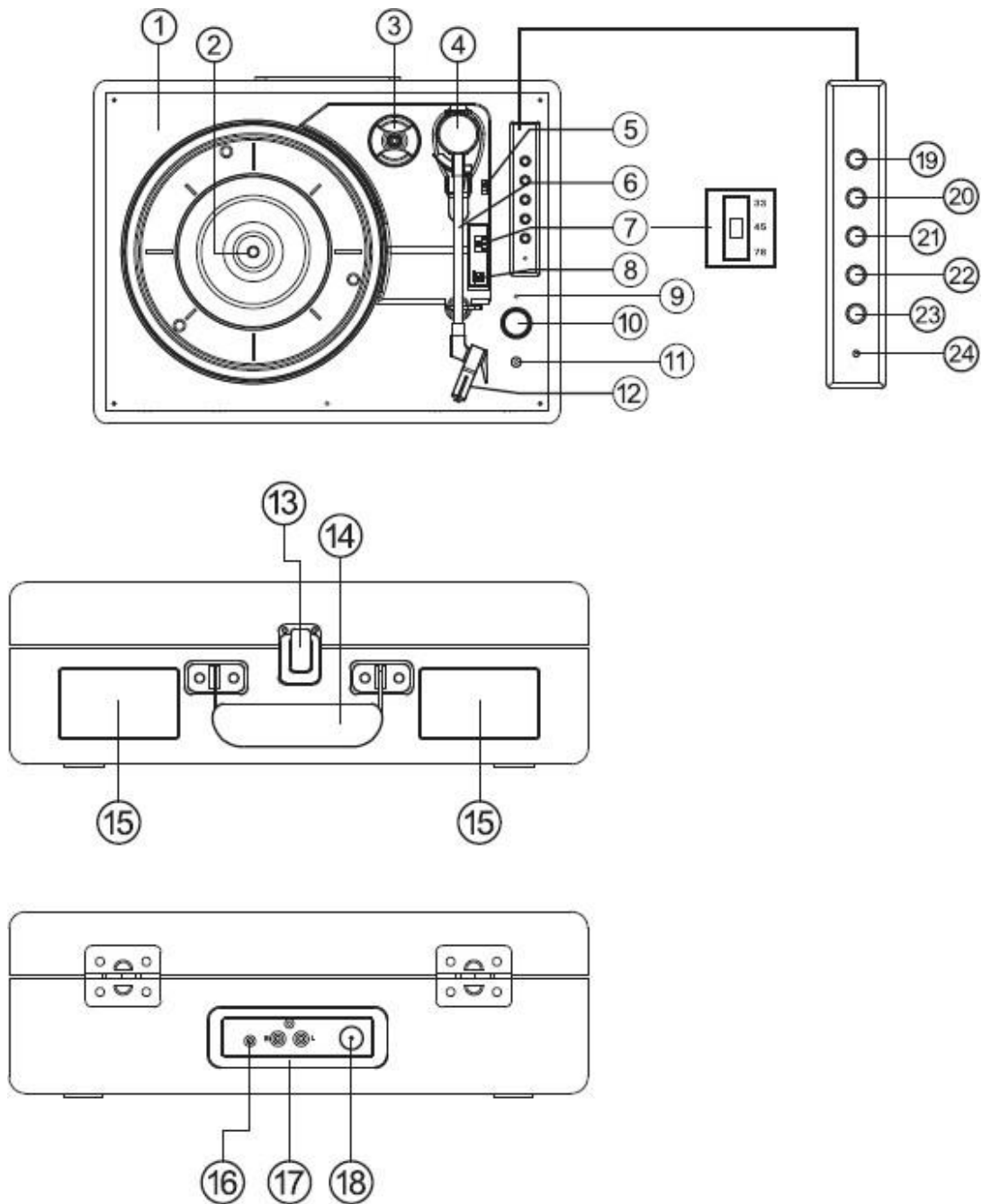
Bedienungsanleitung



Netzadapter



Bedienelemente



1. Plattenspielerdeck
2. Plattentellerspindel
3. Mittellochadapter
4. Tonarm
5. Tonarm-Lifthebel
6. Tonarmhalter

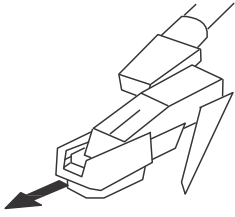
7. Plattenteller-Geschwindigkeitswähler
8. Schalter automatische Abschaltsteuerung
9. Betriebszustandsanzeige-LED
10. Ein/Aus-Schalter / Lautstärkereglern
11. Kopfhörerbuchse
12. Tonnadel
13. Verschluss
14. Tragegriff
15. Lautsprecher
16. AUX-Eingangsbuchse
17. LINE-Ausgang linker/rechter Kanal
18. Stromversorgungseingang
19. Koppeln
20. Vorheriger Titel
21. Nächster Titel
22. Wiedergabe/Pause
23. Modus
24. Modusanzeige-LED

Modus

1. Drücken Sie kurz „Modus“, um den Wiedergabemodus auszuwählen.
2. Während der Bluetooth-Kopplung blinkt die Modusanzeige-LED Blau.
3. Wenn die Bluetooth-Verbindung erfolgreich aufgebaut wurde, dann leuchtet die Modusanzeige-LED kontinuierlich Blau.
4. Wenn der Plattenspielermodus ausgewählt ist, dann leuchtet die Modusanzeige-LED Rot.
5. Wenn der AUX-Eingangsmodus ausgewählt ist, dann leuchtet die Modusanzeige-LED Grün.

Benutzen des Plattenspielers

1. Stellen Sie den Plattenspielerkoffer auf eine ebene Oberfläche.
2. Schließen Sie den Netzadapter am Stromversorgungseingang auf der Rückseite des Plattenspielerkoffers an und stecken Sie anschließend den Netzadapter in eine Netzsteckdose.
3. Vergewissern Sie sich bei der ersten Benutzung des Plattenspielers, dass der Kabelbinder vom Tonarm entfernt wurde.
4. Nehmen Sie danach den Tonnadelschutz ab und bewahren Sie ihn für zukünftige Verwendung an einem sicheren Platz auf.



5. Wählen Sie mit Hilfe des Plattenteller-Geschwindigkeitswählers die für die wiederzugebende Schallplatte benötigte Geschwindigkeit (33, 45 oder 78 U/min) aus.
6. Drehen Sie den Lautstärkereglern, um den Plattenspieler einzuschalten, woraufhin die Betriebszustandsanzeige-LED Rot leuchtet.
7. Legen Sie eine Schallplatte auf den Plattenteller und nehmen Sie anschließend den Tonarm aus dem Tonarmhalter.
8. Heben Sie den Tonarm mit Hilfe des Tonarm-Lifthebels an und bewegen Sie anschließend den Tonkopf so, dass er sich über der Schallplatte bzw. über der Startrille des wiederzugebenden Titels befindet.
9. Senken Sie den Tonarm nun vorsichtig ab. Kurz darauf beginnt die Wiedergabe der Schallplatte.
10. Stellen Sie durch Drehen des Lautstärkereglers den gewünschten Lautstärkepegel ein.
11. Wenn das Ende der Schallplatte erreicht wird, stoppt die Plattentellerrotation automatisch.
12. Heben Sie den Tonarm mit Hilfe des Tonarm-Lifthebels erneut an (der Plattenteller beginnt wieder zu rotieren) und bewegen Sie ihn zurück zum Tonarmhalter. Senken Sie den Tonarm hier ab. Die Plattentellerrotation wird daraufhin wieder gestoppt.
13. Rasten Sie den Tonarm wieder im Tonarmhalter ein und setzen Sie nach Beendigung der Benutzung den Tonnadelschutz wieder auf den Tonkopf, bevor Sie den Plattenspieler umstellen/transportieren.
14. Sie können den Plattenspieler jederzeit ausschalten, indem Sie den auf der Schallplatte aufliegenden Tonarm anheben und anschließend den Lautstärkereglern ganz nach links drehen.

Hinweis

Einige Schallplatten besitzen ein größeres Mittelloch. Bei diesen Schallplatten ist es notwendig, dass Sie den Mittellochadapter auf die Plattentellerspindel stecken, bevor Sie die Schallplatte auf den Plattenteller legen. Setzen Sie immer den Tonnadelschutz auf den Tonkopf und fixieren Sie den Tonarm im Tonarmhalter, bevor Sie den Plattenspieler umstellen/transportieren.

Benutzen des Plattenspielers mit einem externen Gerät

1. Sie können externe analoge Audiogeräte an den Plattenspieler anschließen und deren Audiosignal über den Plattenspieler verstärken.
2. Schließen Sie Ihr externes Audiogerät über ein Audiokabel mit 3,5-mm-Klinkenbuchse (nicht im Lieferumfang enthalten) an der Eingangsbuchse LINE IN des Plattenspielers an.
3. Starten Sie die Wiedergabe mit Hilfe der Wiedergabetaste des externen Audiogeräts und benutzen Sie die Audiosteuerung Ihres externen Audiogeräts in gewohnter Weise.

4. Die Lautstärke können Sie sowohl über den Lautstärkereglern des Plattenspielers als auch des angeschlossenen externen Audiogeräts steuern.
5. Sie können den Plattenspieler jederzeit ausschalten, indem Sie seinen Lautstärkereglern ganz nach links drehen.

Benutzen eines Kopfhörers (nicht im Lieferumfang enthalten)

Der Plattenspieler besitzt eine Kopfhörerbuchse, damit Sie den Plattenspieler benutzen können, ohne andere Personen zu stören. Schließen Sie den Kopfhörer an der mit einem Kopfhörersymbol gekennzeichneten Buchse unterhalb des Lautstärkereglers an und stellen Sie anschließend die gewünschte Wiedergabelautstärke ein. Übermäßiger Schalldruck der Ohrhörer und Kopfhörer kann zu Gehörverlust führen. Sobald Sie einen Kopf-/Ohrhörer anschließen, werden die Lautsprecher des Plattenspielers stummgeschaltet.

Anschließen externer Lautsprecher an den Plattenspieler

Wenn Sie über einen geeigneten Verstärker an Ihrem Plattenspieler externe Lautsprecher anschließen möchten, dann verbinden Sie die Cinch-Ausgänge des Plattenspielers über ein Cinch-Stereo-auf-Cinch-Stereo- Audiokabel (nicht im Lieferumfang enthalten) mit den Audioeingängen des externen Verstärkers. Vergewissern Sie sich, dass die roten Cinchstecker an den roten Cinchbuchsen und die weißen Cinchstecker an den weißen Cinchbuchsen angeschlossen sind.

Benutzen des Geräts mit einem Bluetooth-Gerät

Vergewissern Sie sich, dass sich Ihr Plattenspieler im Bluetooth-Modus befindet. Wenn er sich nicht im Bluetooth-Modus befindet, dann drücken Sie die Taste Modus solange kurz, bis sich der Plattenspieler im Bluetooth-Modus befindet (die Modusanzeige-LED leuchtet Blau). Anschließend beginnt der Plattenspieler mit der Suche nach Bluetooth-Geräten (während des Koppelns blinkt die LED Blau).

Im Bluetooth-Modus:

1. Ihr Plattenspieler sucht nach Bluetooth-Geräten.
2. Aktivieren Sie die Bluetooth-Konnektivität des Bluetooth-Geräts (z. B. iPhone, iPad, Android-Mobilgerät, sonstige Mobiltelefone, Tablet-PC oder PC) und vergewissern Sie sich, dass dieses Gerät erkennbar ist.

Hinweis: Schlagen Sie bei Bedarf in der Bedienungsanleitung zu Ihrem Gerät nach, um zu erfahren, wie Bluetooth aktiviert oder eingerichtet werden kann.

3. Wählen Sie gegebenenfalls „Add new device“ (Neues Gerät hinzufügen) aus.

Hinweis: Einige Produkte suchen automatisch nach neuen Geräten. Bei diesen Geräten steht die Option „Add new device“ (Neues Gerät hinzufügen) nicht zur Verfügung.

4. Wenn Ihr Plattenspieler gefunden wurde, dann wird er in der Liste gefundener Bluetooth-Geräte als „Lenco TT-110“ angezeigt. Wählen Sie ihn aus und stellen Sie eine Verbindung her.
5. Wenn das Koppeln abgeschlossen ist, dann wird „Bluetooth Connected“ (Bluetooth verbunden) angezeigt.

6. Jetzt, wo Ihr Plattenspieler mit dem Bluetooth-Gerät gekoppelt ist, verbindet es sich immer mit ihm, sobald es sich innerhalb der Verbindungsreichweite (Sichtlinie) von max. ca. 10 m (33 Fuß) befindet.
7. Ihr Bluetooth-Gerät bleibt solange mit dem Plattenspieler gekoppelt, bis Sie die Verbindung bzw. Kopplung beider Geräte manuell trennen.
8. Zum Wiederverbinden können Sie kurz „Koppeln“ drücken.

Bluetooth-Wiedergabe

1. Drücken Sie „Zurück“, um zum vorherigen Titel Ihres Bluetooth-Geräts zu springen.
2. Drücken Sie „Vor“, um zum nächsten Titel Ihres Bluetooth-Geräts zu springen.
3. Drücken Sie „Wiedergabe/Pause“, um die Wiedergabe Ihres Bluetooth-Geräts zu starten, zu pausieren oder fortzusetzen.

„Dieses Produkt besitzt eine Bluetooth-Empfangsfunktion, mit der Sie jedoch keine Klänge über Bluetooth übertragen können, d. h. Sie können nur Bluetooth-Audiosignale von externen Quellen wie beispielsweise einem Smartphone kabellos empfangen.“

ERSETZEN DER TONNADEL

Folgen Sie für das Ersetzen der Tonnadel der nachfolgenden Anleitung.

Entnehmen der Tonnadel aus dem Tonkopf

1. Setzen Sie einen Schraubendreher an der Spitze der Tonabnehmernadel an. Drücken Sie dann wie in der Abbildung gezeigt nach unten in Richtung „A“.
2. Nehmen Sie danach die Tonabnehmernadel ab, indem Sie ziehen und nach unten drücken.

Einsetzen der Tonabnehmernadel

1. Halten Sie die Tonabnehmernadel an der Spitze und setzen Sie dann die Tonabnehmernadel ein, indem Sie diese wie abgebildet in Richtung „B“ drücken.
2. Drücken Sie nun die Tonabnehmernadel in Richtung „C“ nach oben, bis die Tonabnehmernadel in der für die Nadel vorgesehenen Position einrastet.



EN

DE

Guide Pins (inside)	Führungsstifte (innen)
----------------------------	-------------------------------

HINWEISE

Wir empfehlen Ihnen, Ihre Platten mit einem antistatischen Tuch zu reinigen, um maximales Musikerlebnis von den Platten zu erhalten.

Wir möchten Sie aus selben Grund darauf hinweisen, Ihre Tonnadel regelmäßig (ungefähr alle 250 Wiedergabestunden) zu wechseln.

TIPPS FÜR BESSERE PLATTERSPIELERLEISTUNG

1. Seien Sie behutsam, wenn Sie den Staubschutz des Plattenspielers öffnen oder schließen. Fassen Sie ihn entweder in der Mitte oder an jeder Seite an.
2. Berühren Sie nicht die Tonnadelspitze mit den Fingern. Vermeiden Sie weiterhin das Aufsetzen der Tonnadel auf dem Plattenteller oder dem Schallplattenrand.
3. Reinigen Sie regelmäßig die Tonnadelspitze mit einem weichen Pinsel. Bewegen Sie den Pinsel dabei nur von hinten nach vorn.
4. Wenn es nötig ist, eine Tonnadelreinigungslösung zu verwenden, dann verwenden Sie diese sehr sparsam.
5. Wischen Sie das Gehäuse des Plattenspielers behutsam mit einem weichen Lappen ab. Verwenden Sie für die Reinigung des Plattenspielers nur eine minimale Menge eines milden Reinigungsmittels.
6. Verwenden Sie auf keinen Fall für irgendeines der Plattenspieler Teile scharfe Chemikalien oder Lösungsmittel.

TECHNISCHE DATEN

Typ	Riemenantrieb
Antriebsmotor	Gleichstrommotor
Geschwindigkeit	33½ U/min, 45 U/min, 78 U/min
Gleichlaufschwankung	<0,35 %
Plattenteller	200 mm
Tonabnehmer	
Typ	Keramikonabnehmer
Tonnadel	0,7 mil
Optimale Auflagekraft	6 Gramm
Ausgabe	300 – 500 mV
Frequenzgang	, ±20 dB
Übersprechen	10 dB
Signal-Rausch-Verhältnis (S/N)	18 dB

Netzadapter (nur für EU)

Verwenden Sie nur die im Handbuch angegebene Stromversorgung

Informationen	Wert und Genauigkeit
Name des Herstellers oder der Handelsmarke, kommerzielle Zulassung und Anschrift	DongGuan Obelieve Electronic Co., Ltd Huazhaoxin Industrial park B-4/F, Golden phoenix industrial zone, Fenggan town, Dongguan city, Guangdong province, China
Modellidentifikator	OBL-0501000E
Eingangsspannung	100 – 240 V
Wechselstromfrequenz des AC-Eingangs	50/60 Hz
Ausgangsspannung	5 V
Ausgangsstrom	1 A
Ausgangsleistung	5 W
Durchschnittliche Effizienz bei Normallast	73,62
Leistungsaufnahme bei Nulllast	≤ 0.10

Garantie

Commaxx B.V. bietet Leistungen und Garantien im Einklang mit Europäischem Recht. Setzen Sie sich deshalb im Falle von Reparaturen (sowohl während als auch nach Ablauf der Garantiezeit) mit Ihrem Fachhändler in Verbindung. Wichtiger Hinweis: Es ist nicht möglich, Produkte für Reparaturen direkt an Commaxx B.V. zu schicken.

Wichtiger Hinweis: Wenn dieses Gerät für welchen Grund auch immer durch ein nicht offizielles Service-Center geöffnet wurde oder durch dieses Service-Center darauf zugegriffen wurde, erlischt die Garantie.

Dieses Gerät ist nicht für professionelle Zwecke geeignet. Falls das Gerät für professionelle Zwecke eingesetzt wird, erlöschen alle Garantieverpflichtungen seitens des Herstellers.

Haftungsausschluss

Aktualisierungen der Firmware und/oder Hardware-Komponenten werden regelmäßig durchgeführt. Aus diesem Grund können einige der Anleitungen, Spezifikationen und Abbildungen in dieser Dokumentation zu dem Ihnen vorliegenden Gerät leicht abweichen. Alle in diesem Handbuch beschriebenen Elemente dienen nur zur Illustration und treffen auf Ihre individuelle Situation möglicherweise nicht zu. Aus der in diesem Handbuch getätigten Beschreibung können keine Rechtsansprüche oder Leistungsanforderungen geltend gemacht werden.

Entsorgung des Altgeräts



Dieses Symbol zeigt an, dass das entsprechende Produkt oder dessen Akku/Batterie in Europa nicht mit dem normalen Hausmüll entsorgt werden darf. Um die ordnungsgemäße Abfallbehandlung des Produkts und dessen Akku/Batterie zu gewährleisten, müssen diese im Einklang mit allen anwendbaren örtlichen Vorschriften zur Entsorgung von Elektrogeräten und Akkus/Batterien entsorgt werden. Dabei helfen Sie, natürliche Ressourcen zu schonen und Umweltschutzstandards zur Verwertung und Entsorgung von Altgeräten aufrecht zu halten (Richtlinie über Entsorgung Elektrischer und Elektronischer Altgeräte).

ÜBEREINSTIMMUNGSERKLÄRUNG

Hiermit erklärt Commaxx, dass der Funkanlagentyp [Lenco TT-110] der Richtlinie 2014/53/EU entspricht. Der vollständige Text der EU-Konformitätserklärung ist unter der folgenden Internetadresse verfügbar:

https://commaxx-certificates.com/doc/tt-110_doc.pdf

Typ HF	Frequenzbereich (MHz)	Sendeleistung (dBm)
Bluetooth	2402-2480	<6



WARNUNG: Hören Sie nicht für längere Zeit mit einem hohen Lautstärkepegel, um dauerhaften Hörschäden vorzubeugen.

Service

Besuchen Sie bitte für weitere Informationen und unseren Kundendienst unsere Homepage www.lenco.com

Commaxx B.V. Wiebachstraat 37, 6466 NG Kerkrade, The Netherlands.

ATTENTION :

L'utilisation de commandes ou de réglages ou l'exécution de procédures autres que celles spécifiées dans ce manuel peut entraîner une exposition à des rayonnements dangereux.

PRÉCAUTIONS AVANT UTILISATION

GARDEZ CES INSTRUCTIONS À L'ESPRIT :

1. Ne couvrez pas et n'obtenez pas les ouvertures de ventilation. Lorsque vous placez l'appareil sur une étagère, laissez 5 cm (2") d'espace libre tout autour de l'appareil.
2. Installez-le conformément au mode d'emploi fourni.
3. Gardez l'appareil à l'écart des sources de chaleur telles que des radiateurs, appareils de chauffage, fours, bougies et autres produits générant de la chaleur ou une flamme nue. L'appareil ne peut être utilisé que dans des climats modérés. Les environnements extrêmement froids ou chauds doivent être évités. Température de fonctionnement entre 0° et 35° C.
4. Évitez d'utiliser l'appareil à proximité de champs magnétiques puissants.
5. Des décharges électrostatiques peuvent perturber le fonctionnement de cet appareil. Dans ce cas, il suffit de réinitialiser et de redémarrer l'appareil en suivant le mode d'emploi. Pendant le transfert de fichiers, manipulez l'appareil avec précaution et faites-le fonctionner dans un environnement sans électricité statique.
6. Mise en garde ! N'introduisez jamais un objet dans l'appareil par les ouvertures et les fentes de ventilation. Étant donné que des tensions élevées sont présentes à l'intérieur du produit, l'insertion d'un objet peut entraîner une électrocution ou court-circuiter les composants internes. Pour les mêmes raisons, ne versez pas de l'eau ou un liquide sur le produit.
7. Ne l'utilisez pas dans des endroits humides tels qu'une salle de bain, une cuisine pleine de vapeur ou à proximité d'une piscine.
8. L'appareil ne doit pas être exposé à des écoulements ou des éclaboussures et aucun objet contenant un liquide, tel qu'un vase, ne doit être posé sur ou près de l'appareil.
9. N'utilisez pas cet appareil lorsque de la condensation est possible. Lorsque vous utilisez l'appareil dans une pièce chaude et humide, des gouttelettes d'eau ou de la condensation peuvent se former à l'intérieur de l'appareil. Dans ce cas, l'appareil peut ne pas fonctionner correctement. Pour éviter tout risque, laissez l'appareil hors tension pendant 1 ou 2 heures avant de le mettre en marche : l'appareil doit être totalement sec avant de le mettre en marche.
10. Bien que ce dispositif soit fabriqué avec le plus grand soin et contrôlé à plusieurs reprises avant de quitter l'usine, des problèmes peuvent néanmoins survenir, comme avec tous les appareils électriques. Si l'appareil émet de la fumée ou en cas d'accumulation excessive de la chaleur ou d'un phénomène inattendu, débranchez immédiatement la fiche d'alimentation du secteur.
11. Cet appareil doit fonctionner avec la source d'alimentation indiquée sur la plaque signalétique. Si vous n'êtes pas sûr du type d'alimentation utilisé chez vous, contactez votre revendeur ou le fournisseur local d'électricité.
12. Tenez l'appareil à l'abri des animaux. Certains animaux adorent mordre les cordons d'alimentation.
13. Pour nettoyer l'appareil, servez-vous d'un chiffon doux et sec. N'utilisez pas de solvant ni d'autre liquide à base de pétrole. Pour enlever les taches importantes, vous pouvez vous servir d'un chiffon humide imbibé d'une solution de détergent diluée.
14. Le fournisseur n'est pas responsable des dommages ou pertes de données causés par un dysfonctionnement, une utilisation abusive, une modification de l'appareil ou un remplacement de la batterie.
15. N'interrompez pas la connexion lorsque l'appareil formate ou transfère des fichiers. Dans le cas contraire, les données pourraient être endommagées ou perdues.
16. Si l'appareil a une fonction de lecture USB, il faut brancher la clé USB directement sur l'appareil. N'utilisez pas un câble d'extension USB, car cela peut causer des interférences entraînant des pertes de données.
17. La plaque signalétique se situe en dessous ou à l'arrière de l'appareil.

18. Cet appareil ne doit pas être utilisé par des personnes (enfants compris) souffrant de handicaps physiques, sensoriels ou mentaux, ou manquant d'expérience et de connaissances, sauf si elles sont sous surveillance ou ont reçu des instructions sur l'utilisation correcte de l'appareil par la personne qui est responsable de leur sécurité.
19. Ce produit est réservé à un usage non professionnel, et non pas à un usage commercial ni industriel.
20. Vérifiez que l'appareil est en position stable. La garantie ne couvre pas les dégâts occasionnés par l'utilisation de cet appareil en position instable, par les vibrations, les chocs ou par la non-observation de tout autre avertissement ou précaution contenus dans ce mode d'emploi.
21. N'ouvrez jamais cet appareil.
22. Ne placez jamais cet appareil sur un autre appareil électrique.
23. Ne laissez pas les sacs en plastique à la portée des enfants.
24. Utilisez uniquement les accessoires recommandés par le fabricant.
25. Confiez l'entretien et les réparations à un personnel qualifié. Une réparation est nécessaire lorsque l'appareil a été endommagé de quelque façon que ce soit, par exemple lorsque le cordon d'alimentation ou la prise sont endommagés, lorsqu'un liquide a été renversé ou des objets ont été introduits dans l'appareil, lorsque l'appareil a été exposé à la pluie ou à l'humidité, lorsqu'il ne fonctionne pas correctement ou lorsque l'appareil est tombé.
26. Une exposition prolongée à la musique avec un volume élevé peut entraîner une perte auditive temporaire ou permanente.
27. Si l'appareil est livré avec un câble d'alimentation ou un adaptateur secteur :
 - En cas de problème, débranchez le cordon d'alimentation CA et confiez l'entretien à un personnel qualifié.
 - Ne marchez pas sur l'adaptateur secteur ou ne le coincez pas. Faites très attention, en particulier à proximité des fiches et du point de sortie du câble. Ne placez pas d'objets lourds sur l'adaptateur secteur, car ils pourraient l'endommager. Gardez l'appareil hors de portée des enfants ! Ils pourraient se blesser gravement s'ils jouent avec le câble d'alimentation.
 - Débranchez cet appareil pendant les orages ou lorsqu'il n'est pas utilisé pendant une longue durée.
 - La prise secteur doit être installée près de l'appareil et doit être facilement accessible.
 - Ne surchargez pas les prises de courant ou les rallonges. Une surcharge peut entraîner un incendie ou une électrocution.
 - Les appareils de classe 1 doivent être branchés à une prise de courant disposant d'une connexion protectrice à la terre.
 - Les appareils de classe 2 ne nécessitent pas de connexion à la terre.
 - Tirez toujours sur la fiche pour débrancher le cordon de la prise secteur. Ne tirez pas sur le cordon d'alimentation. Cela pourrait provoquer un court-circuit.
 - N'utilisez pas un cordon ou une fiche d'alimentation endommagé ni une prise desserrée. Vous courez un risque d'incendie ou de décharge électrique.
28. Si le produit contient ou est livré avec une télécommande contenant des piles boutons :

Avertissement :

 - « N'ingérez pas la pile, car vous risquez une brûlure chimique » ou une formule équivalente.
 - [La télécommande fournie avec] Ce produit contient une pile bouton. Si la pile est avalée, elle peut causer de graves brûlures internes en seulement 2 heures et peut entraîner la mort.
 - Tenez les piles neuves et usagées hors de portée des enfants.
 - Si le compartiment à piles ne se ferme pas correctement, cessez d'utiliser l'appareil et tenez-le hors de portée des enfants.
 - Si vous pensez que les piles ont été avalées ou placées à l'intérieur d'une partie du corps, consultez un médecin immédiatement.
29. Mise en garde relative à l'utilisation des piles :
 - Risque d'explosion si la pile est mal remplacée. Remplacez les piles par des piles d'un type identique ou équivalent.
 - Pendant l'utilisation, le stockage ou le transport, la pile ne doit pas être soumise à des températures extrêmement élevées ou basses, à une faible pression d'air à haute altitude.
 - Le remplacement d'une pile par une autre de type incorrect peut entraîner une explosion ou une fuite de liquide ou de gaz inflammable.
 - L'introduction d'une pile dans le feu ou dans un four chaud, l'écrasement ou le découpage mécanique peut entraîner une explosion.

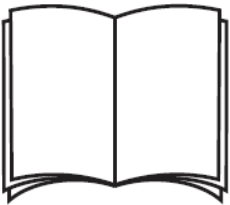
- L'exposition d'une pile dans un environnement à température extrêmement élevée peut entraîner une explosion ou une fuite de liquide ou de gaz inflammable.
- L'exposition d'une pile à une pression d'air extrêmement basse peut entraîner une explosion ou une fuite de liquide ou de gaz inflammable.
- Veuillez considérer les questions environnementales lors de la mise au rebut des piles.

INSTALLATION

- Déballez toutes les pièces et enlevez le matériau de protection.
- Ne connectez pas l'unité au secteur avant d'avoir vérifié la tension du secteur et avant que toutes les autres connexions n'aient été effectuées.

Accessoires fournis :

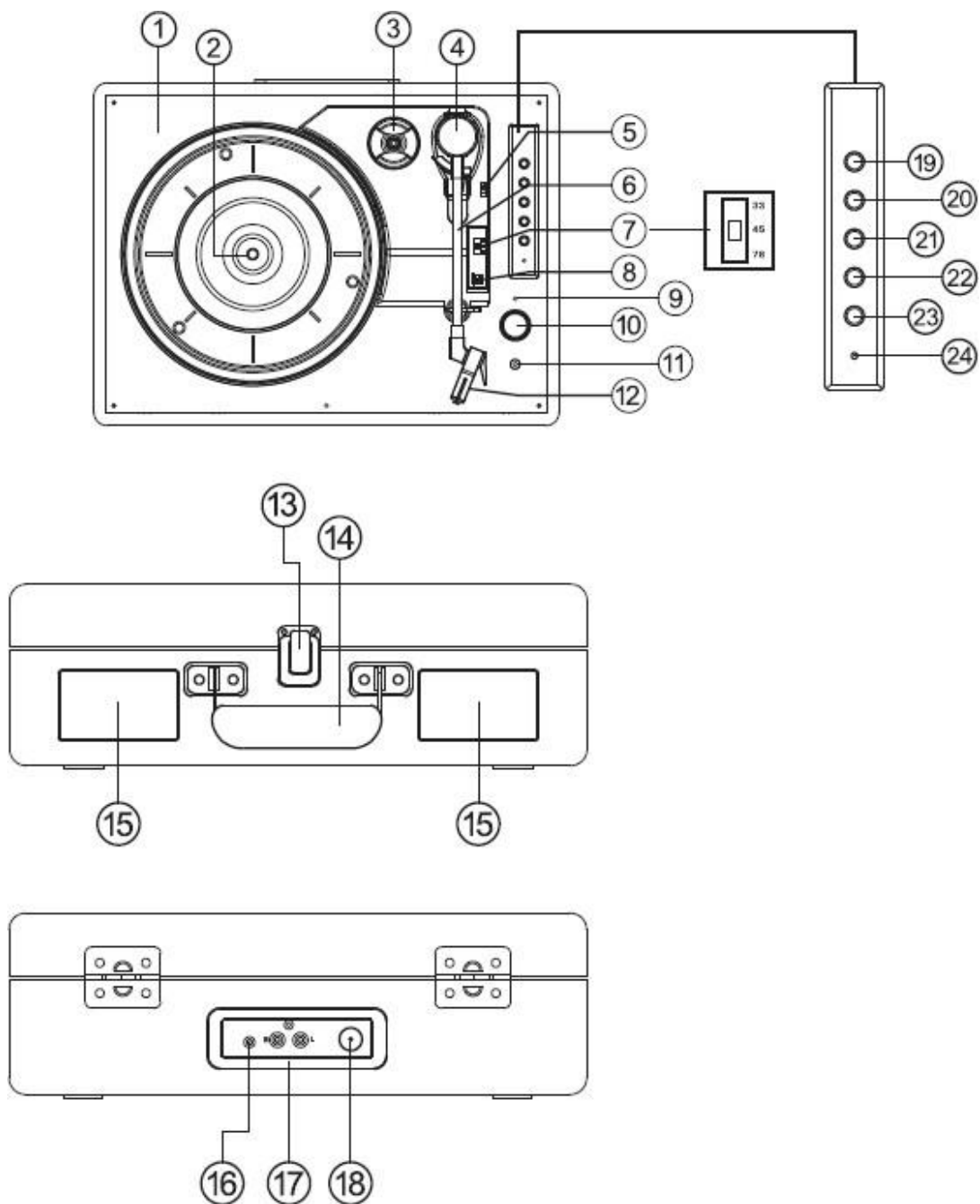
Mode d'emploi



Adaptateur secteur



Emplacement des commandes



1. Plateforme de la platine
2. Arbre du tourne-disque
3. Adaptateur pour trou central
4. Bras de lecture
5. Levier de signalisation
6. Clip de bras de lecture
7. Sélecteur de vitesse de la platine
8. Interrupteur de commande d'arrêt automatique

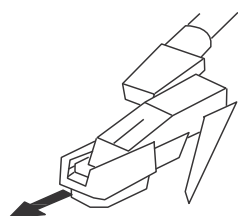
9. LED d'indication de l'état
10. Interrupteur d'alimentation/ Commande du volume
11. Prise casque
12. Pointe de lecture
13. Mentonnet
14. Poignée de transport
15. Haut-parleur
16. Prise d'entrée Aux
17. Sortie de canal R/L
18. Prise d'entrée CC
19. Coupler
20. Morceau précédent
21. Morceau suivant
22. Lecture/pause
23. Mode
24. Indicateur de mode

Mode

1. Appuyez brièvement sur « Mode » pour sélectionner le mode de lecture.
2. La LED bleue clignote lorsque le Bluetooth est couplé.
3. La LED bleue s'allume lorsque le Bluetooth est connecté.
4. Le voyant rouge s'allume lorsque l'appareil est en mode platine.
5. Le voyant vert s'allume lorsque l'appareil est en mode Entrée auxiliaire.

Utilisation de la platine

1. Placez la caisse de la platine sur une surface plane.
2. Insérez le cordon de l'adaptateur dans la prise CC à l'arrière du boîtier et branchez l'adaptateur à la prise d'alimentation secteur.
3. Lors de la première utilisation, assurez-vous que l'attache du câble est retirée du bras du lecteur.
4. Retirez le couvercle du stilet et conservez-le dans un endroit sûr pour une utilisation ultérieure.



5. Déplacez le sélecteur de vitesse sur la vitesse (33,45 ou 78 tr/min) correspondant au disque à lire.
6. Tournez le bouton de volume pour allumer la platine et le voyant de mode s'allume en rouge.
7. Placez un disque sur l'axe de la platine et déclipsez le bras de lecture.

8. Utilisez le levier de signalisation pour soulever le bras de lecture et déplacez le bras de manière à ce que le stylet soit positionné juste à l'intérieur du bord du disque ou aligné avec le début de la piste à lire.
9. Baissez lentement le bras et après un court intervalle, le disque commence à jouer.
10. Ajustez le volume au niveau souhaité en tournant le bouton de réglage du volume.
11. Lorsque vous atteignez la fin du disque, la platine s'arrête.
12. Utilisez à nouveau le levier pour soulever le bras de lecture (la platine recommence à tourner), remettez-le sur le clip et abaissez-le dans le socle. La platine va s'arrêter.
13. Après utilisation, fixez le bras de fourches à l'aide du clip et remettez toujours le couvercle du stylet en place avant de déplacer la platine.
14. Pour éteindre la platine à tout moment, soulevez le bras de lecture du disque et tournez le bouton de volume à fond dans le sens inverse des aiguilles d'une montre.

Remarque

Certains disques ont un trou central plus grand et il peut être nécessaire de monter l'adaptateur du trou central sur le manche de la platine avant de placer le disque sur cette dernière. Remettez toujours le couvercle du stylet en place et fixez le bras de la platine à l'aide du clip avant de déplacer la platine.

Utilisation avec un appareil auxiliaire

1. Des équipements audio analogiques auxiliaires peuvent être connectés et amplifiés via la platine.
2. Connectez l'équipement auxiliaire à l'aide d'un câble jack de 3,5 mm (câble non fourni) dans la prise LINE IN.
3. Appuyez sur le bouton de lecture de l'équipement auxiliaire et utilisez les commandes de piste comme d'habitude sur l'appareil auxiliaire.
4. Le volume peut être réglé à l'aide du bouton de volume sur la platine ou des commandes de l'appareil auxiliaire connecté.
5. Pour éteindre l'appareil à tout moment, tournez le bouton de volume à fond dans le sens antihoraire.

Utilisation d'un casque (non fourni)

Une prise casque stéréo est prévue pour une utilisation de la platine sans déranger les autres. Branchez les écouteurs à l'endroit marqué casque près du bouton de volume et réglez le volume d'écoute au niveau choisi. Une pression acoustique excessive des écouteurs peut endommager votre audition. Les haut-parleurs de la platine ne fonctionnent pas lorsque des écouteurs sont connectés.

Connexion de la platine au haut-parleur externe

Si vous souhaitez connecter la platine à des haut-parleurs externes (via un amplificateur approprié), utilisez un câble phono double vers phono double (non fourni) pour connecter les prises de sortie RCA à l'entrée audio de l'amplificateur. Veillez à ce que les fiches rouges soient insérées dans les prises rouges et les prises blanches dans les prises blanches.

Utilisation avec un appareil Bluetooth

Vérifiez que votre platine est en mode Bluetooth. Si vous n'êtes pas encore en mode Bluetooth, appuyez brièvement sur le bouton Mode jusqu'à ce que l'appareil passe en mode Bluetooth (la LED bleue s'allume). Il commence à rechercher les appareils Bluetooth (la LED bleue clignote pendant le couplage).

En mode Bluetooth :

1. Votre appareil recherche Bluetooth.
2. Sur l'appareil (par exemple, iPhone/iPad/Android/autre téléphone/Tableau/ordinateur), activez la connectivité Bluetooth et assurez-vous qu'elle est « discoverable » (visible).

Remarque : Si nécessaire, reportez-vous aux instructions de votre radio pour ajouter ou configurer Bluetooth.

3. Sélectionnez « Add new device (Ajouter un nouveau dispositif) », si nécessaire.

Remarque : Certains appareils rechercheront automatiquement un nouveau dispositif, par conséquent l'option « Add new device (Ajouter un nouveau dispositif) » ne sera pas disponible.

4. Une fois trouvé, votre appareil s'affiche sous le nom de « Lenco TT-110 ». Sélectionnez-le et commencez l'appariement.
5. Une fois l'appairage effectué « Bluetooth Connected (Connexion Bluetooth effectuée) » s'affiche.
6. Maintenant que vous avez couplé votre appareil avec la platine, il s'y connectera lorsqu'il sera à portée, c'est-à-dire à une distance d'environ 10 mètres ou moins, de la ligne de vision.
7. Votre appareil reste couplé avec la platine à moins que vous ne décidiez de le déconnecter ou de le désappairer.
8. Vous pouvez appuyer brièvement sur « Appairage » pour vous reconnecter.

Lecture Bluetooth

1. Appuyez sur « Retour » pour passer à la piste précédente de votre appareil Bluetooth.
2. Appuyez sur « Suivant » pour passer à la piste suivante de votre appareil Bluetooth.
3. Appuyez sur « Lecture/ pause » pour lire ou suspendre votre appareil Bluetooth.

« Ce produit est doté d'une fonction de **réception** bluetooth, **vous ne pouvez pas l'utiliser pour transmettre un son bluetooth** : cela signifie que vous pouvez recevoir sans fil un signal sonore bluetooth d'une source externe comme un smartphone. »

COMMENT CHANGER LA TÊTE DE LECTURE

Pour changer la tête de lecture, consultez les instructions ci-dessous. Démontage de la tête de lecture hors de la cartouche

1. Placez un tournevis sur la pointe de la tête de lecture et poussez vers le bas comme indiqué dans le sens « A ».
2. Enlevez la tête de lecture en la tirant vers l'avant et en poussant vers le bas.

Installation de la tête de lecture

1. Tenez la pointe de la tête de lecture et insérez la tête de lecture en appuyant comme indiqué dans le sens « B ».
2. Poussez la tête de lecture vers le haut comme indiqué dans le sens « C » jusqu'à ce que la tête de lecture se bloque dans la position de la pointe.



EN	FR
Guide Pins (inside)	Tiges de guidage (internes)

REMARQUE

Nous vous conseillons de nettoyer vos disques avec un tissu anti-statique afin de les apprécier au mieux.
Remarque : pour la même raison, votre tête de lecture doit être changée périodiquement (environ toutes les 250 heures de lecture).

CONSEILS POUR UNE MEILLEURE PERFORMANCE DE TOURNE-DISQUE

1. En ouvrant ou en fermant le couvercle du tourne-disque, manipulez-le délicatement, en le tenant soit au centre soit de chaque côté.
2. Ne touchez pas la pointe de la tête de lecture avec vos doigts, évitez de cogner la tête de lecture contre le plateau du tourne-disque ou le bord du disque.
3. Nettoyez fréquemment la pointe de la tête de lecture en utilisant une brosse douce en faisant uniquement des mouvements « avant-arrière ».
4. Si vous devez utiliser un liquide de nettoyage de tête de lecture, utilisez-en avec grande parcimonie.
5. Nettoyez précautionneusement le boîtier du tourne-disque à l'aide d'un chiffon doux. Utilisez seulement un peu de détergent doux pour nettoyer le tourne-disque.
6. N'appliquez jamais de produits chimiques ni de solvants forts sur aucune pièce du système de tourne-

Informations	Valeur et précision
Nom ou marque du fabricant, enregistrement commercial et adresse	DongGuan Obelieve Electronic Co., Ltd Huazhaoxin Industrial park B-4/F, Golden phoenix industrial zone, Fenggan town, Dongguan city, Guangdong province, China
Référence du modèle	OBL-0501000E
Tension d'entrée	100-240 V
Fréquence du CA d'entrée	50/60 Hz
Tension de sortie	5 V
Courant de sortie	1 A
Puissance de sortie	5 W
Rendement moyen en mode actif	73,62
Consommation électrique sans charge	≤ 0.10

Garantie

Commaxx B.V. propose un service et une garantie conformément à la législation européenne, ce qui signifie qu'en cas de besoin de réparation (aussi bien pendant et après la période de garantie), vous pouvez contacter votre revendeur le plus proche.

Remarque importante : Il n'est pas possible de renvoyer l'appareil pour réparation directement à Commaxx B.V. Remarque importante : si l'appareil est ouvert ou modifié de quelque manière que ce soit par un réparateur non agréé, la garantie sera caduque.

Cet appareil ne convient pas à une utilisation professionnelle. En cas d'utilisation professionnelle, les obligations de garantie du fabricant seront annulées.

Clause de non-responsabilité

Des mises à jour du logiciel ou des composants informatiques sont régulièrement effectuées. Il se peut donc que certaines instructions, caractéristiques et images présentes dans ce document diffèrent légèrement de votre configuration spécifique. Tous les articles décrits dans ce guide sont fournis uniquement à des fins d'illustration et peuvent ne pas s'appliquer à une configuration spécifique. Aucun droit légal ne peut être obtenu depuis les informations contenues dans ce manuel.

Mise au rebut de l'appareil usagé



Ce symbole indique que le produit électrique concerné ainsi que les piles ne doivent pas être jetés avec les autres déchets ménagers en Europe. Pour garantir un traitement correct des piles et de l'appareil usagés, veuillez les mettre au rebut conformément aux réglementations locales en vigueur en matière d'appareils électriques et autres piles. En agissant de la sorte, vous contribuerez à la préservation des ressources naturelles et à l'amélioration des niveaux de protection environnementale concernant le traitement et la destruction des déchets électriques (directive sur les déchets des équipements électriques et électroniques).

DECLARATION DE CONFORMITE

Le soussigné, Commaxx, déclare que l'équipement radioélectrique du type [Lenco TT-110] est conforme à la directive 2014/53/UE. Le texte complet de la déclaration UE de conformité est disponible à l'adresse internet suivante:

https://commaxx-certificates.com/doc/tt-110_doc.pdf

Type RF	Bande de fréquences (MHz)	Puissance (dBm)
Bluetooth	2402-2480	<6



AVERTISSEMENT : Pour éviter une éventuelle détérioration de l'ouïe, n'écoutez pas la musique à un niveau de volume élevé pendant des périodes prolongées.

Service après-vente

Pour en savoir plus et obtenir de l'assistance, visitez www.lenco.com.

Commaxx B.V. Wiebachstraat 37, 6466 NG Kerkrade, The Netherlands.

PRECAUCIÓN:

El uso de los controles o ajustes o el funcionamiento de los procedimientos excepto a aquellos especificados aquí pueden provocar una exposición peligrosa a la radiación.

PRECAUCIONES PREVIAS AL USO

TENGA ESTAS INSTRUCCIONES EN MENTE:

1. No cubra o bloquee ninguna apertura de ventilación. Cuando coloque el dispositivo en una estantería, deje 5 cm (2") de espacio libre alrededor de todo el dispositivo.
2. Instálelo conforme al manual de usuario que se adjunta.
3. Mantenga el aparato alejado de fuentes de calor, como radiadores, calentadores, estufas, velas u otros productos que generen calor o llama viva. El aparato solo puede usarse en climas moderados. Se deben evitar los ambientes extremadamente fríos o cálidos. Temperatura de funcionamiento entre 0 ° y 35 °C.
4. Evite usar el dispositivo cerca de campos magnéticos fuertes.
5. Una descarga electrostática puede entorpecer el uso normal de este dispositivo. En tal caso, simplemente reinícielo siguiendo el manual de instrucciones. Durante la transmisión de archivos, por favor manéjelo con cuidado opérelo en un entorno libre de electricidad estática.
6. ¡Advertencia! Nunca inserte un objeto en el producto a través de las ventilaciones o aperturas. Alto voltaje fluye a través del producto e insertar un objeto puede provocar una descarga eléctrica y/o un cortocircuito de sus componentes internos. Por el mismo motivo, no derrame agua o líquidos en el producto.
7. No lo utilice en zonas húmedas, como cuartos de baño, cocinas en las que se forme vapor ni cerca de piscinas.
8. El aparato no debe exponerse a goteos o salpicaduras y asegúrese de que se colocan sobre o cerca del aparato objetos llenos de líquidos, como jarrones.
9. No use este dispositivo cuando se pueda producir condensación. Cuando la unidad se usa en una habitación cálida y húmeda con gotas de agua o humedad se puede producir condensación dentro de la unidad y la unidad puede que no funcione correctamente; deje que la unidad permanezca apagada durante 1 o 2 horas antes de volver a encenderla: el aparato debe estar seco antes de conectarse a una fuente de alimentación.
10. Aunque este dispositivo está fabricado con el máximo cuidado y comprobado varias veces antes de salir de fábrica, todavía es posible que se puedan producir problemas, al igual que con todos los aparatos eléctricos. Si observa la aparición de humo, una acumulación excesiva de calor o cualquier otro fenómeno inesperado, deberá desconectar inmediatamente el enchufe de la toma de corriente.
11. Este dispositivo debe funcionar con una fuente de alimentación que se especifica en la etiqueta de especificaciones. Si no está seguro del tipo de alimentación que se usa en su hogar, consulte con el distribuidor o una compañía eléctrica local.
12. Manténgalo alejado de los animales. Algunos animales disfrutan mordiendo cables de alimentación.
13. Para limpiar el dispositivo use un paño seco y suave. No utilice líquidos disolventes ni con base de petróleo. Para eliminar manchas difíciles, puede usar un paño húmedo con detergente diluido.
14. El proveedor no asume ninguna responsabilidad por daños o datos perdidos provocados por un funcionamiento incorrecto, uso incorrecto, modificación del dispositivo o sustitución de la batería.
15. No interrumpa la conexión cuando el dispositivo esté formateando o transfiriendo archivos. En caso contrario, los datos se pueden estropear o perder.
16. Si la unidad dispone de función de reproducción USB, se debe conectar la memoria USB directamente en la unidad. No utilice cables de extensión USB ya que pueden crear interferencias que causen una pérdida de datos.
17. Se ha marcado la etiqueta identificativa en la parte inferior o en el panel posterior del aparato.
18. Este aparato no está diseñado para su uso por personas (incluyendo niños) con discapacidades físicas, sensoriales o mentales o con falta de experiencia o conocimientos, salvo que estén bajo la supervisión o hayan recibido formación sobre el uso correcto del dispositivo por parte de una persona responsable de su seguridad.
19. Este producto está diseñado para un uso no profesional únicamente y no para un uso comercial o industrial.

20. Asegúrese de que la unidad esté fijada en una posición estable. La garantía no cubrirá los daños derivados de usar este producto en una posición inestable, vibraciones o golpes o por no seguir otras advertencias o precauciones que aparecen en este manual de usuario.
21. Nunca retire la carcasa del dispositivo.
22. Nunca coloque este dispositivo sobre otro equipo eléctrico.
23. Mantenga las bolsas de plástico fuera del alcance de los niños.
24. Use únicamente los dispositivos/accesorios especificados por el fabricante.
25. Remita todas las reparaciones al personal cualificado. El mantenimiento es necesario cuando el dispositivo presenta cualquier tipo de daños, como en el cable de alimentación o en el enchufe, cuando se ha vertido líquido o han caído objetos en el aparato, cuando el aparato se ha visto expuesto a la lluvia o humedad, cuando no funciona normalmente o cuando se ha caído.
26. Una larga exposición a sonidos elevados de reproductores de música personales puede provocar una pérdida de audición temporal o permanente.
27. Si el producto viene con un cable de alimentación o un adaptador de corriente de CA:
 - Si se produce cualquier problema, desconecte el cable de alimentación CA y remítase al mantenimiento de personal cualificado.
 - No pise o pince el adaptador de alimentación. Tenga mucho cuidado, en especial cerca de las tomas y el punto de salida del cable. No coloque objetos pesados en el adaptador de alimentación, ya que pueden dañarlo. ¡Mantenga el dispositivo fuera del alcance de los niños! Si juegan con el cable de alimentación, puede sufrir lesiones graves.
 - Desconecte el dispositivo durante tormentas eléctricas o cuando no vaya a usarse durante periodos prolongados de tiempo.
 - La salida de la toma debe instalarse cerca del equipo y debe ser fácilmente accesible.
 - No sobrecargue las tomas CA o los cables de extensión. La sobrecarga puede provocar un incendio o una descarga eléctrica.
 - Los dispositivos con construcción de Clase 1 deben estar conectados a una toma de corriente con una conexión a tierra protegida.
 - Los dispositivos con construcción Clase 2 no requieren una conexión a tierra.
 - Sujete siempre el enchufe cuando los extraiga de la toma de corriente. No tire del cable de alimentación. Esto puede provocar un cortocircuito.
 - No utilice un cable de alimentación o enchufe deteriorado o una toma suelta. Si lo hace, podría provocar un incendio o una descarga eléctrica.
28. Si el producto contiene o se entrega con un mando a distancia que contiene pilas de botón / celdas:

Advertencia:

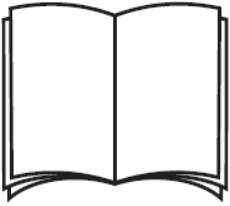
 - “Ni ingiera la pila, riesgo de quemadura química” o frase equivalente.
 - [El mando a distancia que se suministra] Este producto contiene una pila de tipo botón/moneda. Si se ingiere la pila, puede provocar graves quemaduras internas en sólo 2 horas y podría ocasionar la muerte.
 - Mantenga las pilas nuevas o usadas fuera del alcance de los niños.
 - Si el compartimiento de las pila no se cierra correctamente, deje de usar el producto y no lo deje al alcance de los niños.
 - Si tiene la sospecha de que una pila ha sido ingerida o se encuentra en algún lugar del cuerpo, busque inmediatamente atención médica.
29. Precaución sobre el uso de las pilas:
 - Existe riesgo de explosión si la pila no se sustituye correctamente. Sustitúyala únicamente con otra del mismo tipo u otro equivalente.
 - No se pueden exponer las pilas a temperaturas extremadamente altas o bajas, baja presión de aire a gran altitud durante el uso, almacenamiento o transporte.
 - Si cambia las pilas por otras que no son las correctas, se puede producir una explosión o la fuga de líquidos o gases inflamables.
 - Si arroja las pilas al fuego o a un horno caliente, o aplasta o corta mecánicamente una pila, podría provocar una explosión.
 - Si deja las pilas en un lugar con temperaturas extremadamente altas, se puede producir una explosión o una fuga de líquido o gas inflamable.
 - Si se exponen las pilas a una presión de aire extremadamente baja, se puede producir una explosión o la fuga de líquidos o gases inflamables.
 - Se debe prestar atención a los aspectos medioambientales sobre la eliminación de baterías.

INSTALACIÓN

- Desembale todas las piezas y retire el material protector.
- No conecte la unidad a la corriente eléctrica antes de comprobar la tensión de la corriente y antes de que se hayan hecho todas las demás conexiones.

Accesorios incluidos:

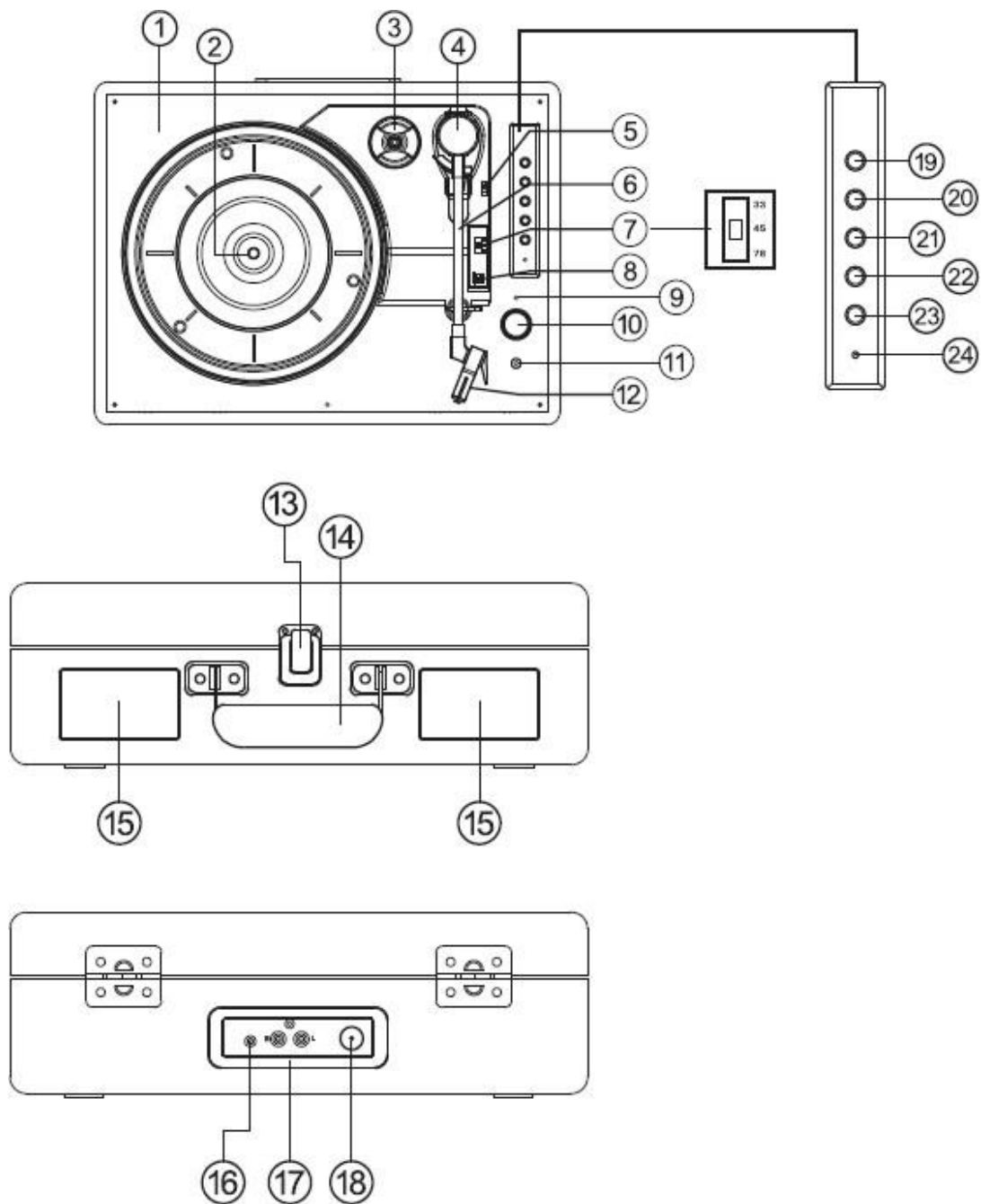
Manual del usuario



Adaptador de corriente



Ubicación de los controles



1. Plato del tocadiscos
2. Eje del tocadiscos
3. Adaptador del agujero central
4. Brazo
5. Palanca de levantamiento
6. Sujeción del brazo
7. Selector de velocidad del tocadiscos
8. Interruptor de control de parada automática
9. Indicador de estado LED

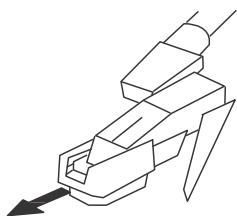
10. Interruptor de alimentación / Control de volumen
11. Conector de auriculares
12. Aguja
13. Sujeción de cierre
14. Asa de transporte
15. Altavoz
16. Conector de entrada auxiliar
17. Canal de salida de línea R/L
18. Conector de entrada de CC
19. Emparejamiento
20. Pista anterior
21. Siguiendo pista
22. Reproducir/Pausa
23. Modo
24. Indicador de modo

Modo

1. Pulse brevemente “Modo” para seleccionar el modo de reproducción.
2. Parpadeará el LED de color azul cuando el Bluetooth se esté emparejando.
3. Se iluminará el LED azul cuando se conecte el Bluetooth
4. Se iluminará el LED rojo cuando esté en modo tocadiscos.
5. Se iluminará el LED verde cuando esté en modo entrada auxiliar.

Uso del tocadiscos

1. Coloque el tocadiscos sobre una superficie plana y nivelada.
2. Inserte el cable del adaptador en la toma CC situada en la parte posterior de la funda y conecte el adaptador en la toma de corriente
3. Al usarlo por primera vez, asegúrese de que se retira la sujeción del cable del brazo del reproductor.
4. Retire la cubierta de la aguja y guárdela en un lugar seguro para un uso futuro.



5. Mueva el selector de velocidad a la velocidad (33,45 o 78rpm) que se corresponda con el disco que se va a reproducir.
6. Gire el dial de volumen para encender el tocadiscos y el indicador de modo se iluminará de color rojo.
7. Coloque un disco en el eje del tocadiscos y quite la sujeción al brazo.

8. Use la palanca de bajada para levantar el brazo y mueva el brazo de forma que la aguja se coloque justo en el interior del borde del disco o alineada con el inicio de la pista que se va a reproducir.
9. Baje lentamente el brazo y tras un breve intervalo el disco se empezará a reproducir.
10. Ajuste el volumen al nivel que desee girando el dial de control de volumen.
11. Cuando se haya llegado al final del disco, el tocadiscos se detendrá.
12. Vuelva a usar la palanca para levantar el brazo (el plato empezará a volver a girar), muévalo hacia la sujeción y bájelo al soporte. El plato se detendrá.
13. Asegure el brazo pequeño usando la sujeción y vuelva a colocar la cubierta de la aguja tras su uso y siempre antes de mover el tocadiscos.
14. Para apagar el tocadiscos en cualquier momento, levantar el brazo del disco y gire completamente el dial de volumen en sentido antihorario.

Nota

Algunos discos tienen un agujero central más grande y puede que sea necesario ajustar el adaptador del agujero central al eje del tocadiscos antes de colocar el disco en el tocadiscos. Vuelva siempre a colocar la cubierta de la aguja y asegure el brazo del tocadiscos usando la sujeción antes de mover el tocadiscos.

Uso del dispositivo auxiliar

1. El equipo de audio analógico auxiliar puede conectarse y amplificarse mediante el tocadiscos.
2. Conecte el equipo auxiliar usando un cable de toma de 3.5mm (cable no incluido) en la toma LINE IN.
3. Pulse el botón de reproducción del equipo auxiliar y use los controles de pista como se haría normalmente en el dispositivo auxiliar.
4. Se puede ajustar el volumen usando el dial de volumen del tocadiscos o los controles del dispositivo auxiliar conectado.
5. Para apagar la unidad en cualquier momento, gire completamente el dial de volumen en sentido antihorario.

Uso de los auriculares (no incluidos)

Se proporciona una toma de auricular estéreo de forma que el tocadiscos puede usarse sin molestar a otras personas. Conecte los auriculares en el punto marcado del auricular cerca del dial de volumen y ajuste el volumen de audición al nivel que elija. Una presión de sonido excesiva en los cascos y auriculares puede causar pérdida de audición. Los altavoces del tocadiscos no funcionarán cuando están conectados los auriculares.

Conexión del tocadiscos a un altavoz externo

Conecte el tocadiscos a altavoces externos (mediante un amplificador adecuado)

Use un cable fono gemelo a fono gemelo (no incluido) para conectar las tomas de salida RCA a la entrada de audio del amplificador. Asegúrese de que las tomas rojas se insertan en las tomas rojas y las blancas en las blancas.

Uso con un dispositivo Bluetooth

Compruebe que el tocadiscos está en modo Bluetooth. Si todavía no se encuentra en modo Bluetooth, pulse brevemente el botón Modo hasta que se encuentre en modo Bluetooth (se iluminará el LED de color azul). Empezará a buscar dispositivos Bluetooth (El LED de color azul parpadeará durante el emparejamiento).

En modo Bluetooth:

1. Su dispositivo buscará el Bluetooth.
2. En el dispositivo (por ejemplo, iPhone/iPad/Android/otros teléfono /Tablet/ ordenador), conecte la conectividad Bluetooth y asegúrese de que se encuentra “descubrible”.

Nota: Si es necesario, remítase a las instrucciones de su dispositivo para añadir o configurar el Bluetooth.

3. Seleccione “Añadir un nuevo dispositivo” si es necesario.

Nota: Algunos productos buscarán automáticamente un Nuevo dispositivo y así la opción “Añadir un nuevo dispositivo” no está disponible.

4. Cuando lo encuentre, se mostrará el dispositivo como “Lenco TT-110”. Selecciónelo e inicie el emparejamiento.
5. Cuando el emparejamiento esté complete, se mostrará “Bluetooth Connected (Bluetooth conectado)”.
6. Ahora que ha emparejado el dispositivo con el tocadiscos, se conectará al mismo cuando se encuentre dentro de su alcance, que es aproximadamente 10 metros o menos (33 pies o menos), en la línea de visión.
7. El dispositivo permanecerá conectado con el tocadiscos salvo que decide desconectarlo o “desemparejarlo”.
8. Puede pulsar brevemente “Pair (Emparejar)” para volverlo a conectar.

Reproducción por Bluetooth

1. Pulse “Atrás” para ir a la pista anterior del dispositivo Bluetooth.
2. Pulse “Siguiente” para ir a la pista siguiente del dispositivo Bluetooth.
3. Pulse “Reproducción/ pausa” para reproducir o hacer una pausa en el dispositivo Bluetooth.

«Este producto dispone de una función de **recepción** bluetooth, **no puede transmitir ningún sonido bluetooth con ella**: esto significa que puede recibir de forma inalámbrica una señal de sonido bluetooth desde una fuente externa como un smartphone».

CÓMO SUSTITUIR LA AGUJA

Consulte las instrucciones siguientes para sustituir la aguja.

Retirar la aguja del cartucho

1. Sitúe un destornillador en el extremo de la aguja y apriete hacia abajo como se muestra en dirección “A”.

2. Retire la aguja tirando de ella hacia delante y empujando hacia atrás.

Instalar la aguja.

1. Sujete el extremo de la aguja e insértela apretando como se muestra en dirección "B".
2. Empuje la aguja hacia arriba en dirección "C" hasta que el extremo quede bloqueado.



EN	ES
Guide Pins (inside)	Pasadores guía (interior)

NOTA

Le aconsejamos limpiar los discos con un paño antiestático para sacarle el máximo provecho.

Señalamos también que por el mismo motivo la aguja debería cambiarse periódicamente (aproximadamente cada 250 horas de reproducción)

CONSEJOS PARA UN MEJOR FUNCIONAMIENTO DEL TOCADISCOS

1. Cuando abra o cierre la cubierta del tocadiscos, manéjela con suavidad, agarrándola del centro o de cada lado.
2. No toque la punta de la aguja con los dedos. Evite golpear la aguja contra el plato del tocadiscos o el borde del disco.
3. Limpie periódicamente la punta de la aguja con un cepillo suave y haciendo solo movimientos de atrás hacia delante.
4. Si necesita usar líquido para limpiar la aguja, utilice muy poca cantidad.
5. Limpie suavemente con un paño el espacio del tocadiscos. Utilice una pequeña cantidad de detergente suave para limpiar el tocadiscos.
6. Nunca utilice productos químicos ni disolventes agresivos en ninguna pieza del sistema tocadiscos.

ESPECIFICACIONES

Tipo	Correa de accionamiento
Motor de accionamiento	Motor DC
velocidad	33 1/3 rpm, 45 rpm, 78 rpm

ululación tremola	<0,35%
Plato de tocadiscos	200mm
cartucho	
Tipo	Cerámica
Aguja	0.7 mil
Fuerza de tracción óptima	6 gramos
Salida	300-500mv
Respuesta de frecuencia	,+/-20dB
comunicación cruzada	10db
ratio señal a ruido (S/N)	18db
General	
Adaptador	Entrada CA 100-240V, 50/60Hz, 0.3A máximo salida CC5V 1A
producto	CC5 V;1 A
salida de audio (salida de línea)	300-500mv
Consumo de energía:	5 W

Adaptador de corriente: Salida CC 5V 1A
Entrada CA 100-240V, 50/60Hz, 0.3A máximo

Nombre de emparejamiento Bluetooth: Lenco TT-110

Toma de auriculares: 3.5mm
Temperatura de funcionamiento: 0°C 40°C

Temperatura de almacenamiento: -20°C 70°C

Debido a las continuas mejoras, las características y el diseño de la unidad están sujetos a cambios sin previo aviso

Adaptador de corriente (Sólo para la UE)

Utilice únicamente la fuente de alimentación indicada en las instrucciones de uso

Información	Valor y precisión
Nombre de los fabricantes o	DongGuan Obelieve Electronic Co., Ltd

marcas registradas, registro comercial y dirección	Huazhaoxin Industrial park B-4/F, Golden phoenix industrial zone, Fenggan town, Dongguan city, Guangdong province, China
Identificador del modelo	OBL-0501000E
Tensión de entrada	100-240V
Frecuencia CA de entrada	50/60HZ
Tensión de salida	5 V
Corriente de salida	1 A
Potencia de salida	5 W
Eficiencia activa media	73.62
Consumo energético sin carga	≤ 0.10

Garantía

Commaxx B.V. ofrece servicio y garantía en cumplimiento con las leyes de la Unión Europea, lo cual implica que, en caso de que su producto precise ser reparado (tanto durante como después del periodo de garantía), deberá contactar directamente con su distribuidor.

Nota importante: No es posible enviar sus reparaciones directamente a Commaxx B.V.

Nota importante: Si la unidad es abierta por un centro de servicio no oficial, la garantía quedará anulada.

Este aparato no es adecuado para el uso profesional. En caso de darle un uso profesional, todas las obligaciones de garantía del fabricante quedarán anuladas.

Exención de responsabilidad

Regularmente se llevan a cabo actualizaciones en el Firmware y en los componentes del hardware. Por esta razón, algunas de las instrucciones, especificaciones e imágenes incluidas en este documento pueden diferir ligeramente respecto a su situación particular. Todos los elementos descritos en esta guía tienen un objetivo de mera ilustración, y pueden no ser de aplicación en su situación particular. No se puede obtener ningún derecho ni derecho legal a partir de la descripción hecha en este manual.

Eliminación del antiguo dispositivo



Este símbolo indica que no deberá deshacerse del producto eléctrico o batería en cuestión junto con los residuos domésticos, en el ámbito de la UE. Para garantizar un tratamiento residual correcto del producto y su batería, por favor, elimínelos cumpliendo con las leyes locales aplicables sobre requisitos para el desecho de equipos eléctricos y baterías. De hacerlo, ayudará a conservar recursos naturales y mejorar los estándares de protección medioambiental en el tratamiento y eliminación de residuos eléctricos (Directiva sobre la Eliminación de Equipos Eléctricos y Electrónicos).



ADVERTENCIA: Para evitar posibles daños en la audición, no la escuche a volúmenes elevados durante largos periodos de tiempo.

DECLARACIÓN DE CONFORMIDAD

Por la presente, Commaxx declara que el tipo de equipo radioeléctrico [Lenco TT-110] es conforme con la Directiva 2014/53/UE. El texto completo de la declaración UE de conformidad está disponible en la dirección Internet siguiente:

https://commaxx-certificates.com/doc/tt-110_doc.pdf

Tipo de radiofrecuencia	Rango de frecuencia (MHz)	Potencia (dBm)
Bluetooth	2402-2480	<6

Servicio

Para obtener más información y soporte del departamento técnico, por favor, visite la página web

www.lenco.com

Commaxx B.V. Wiebachstraat 37, 6466 NG Kerkrade, The Netherlands.

ATTENZIONE:

L'utilizzo di controlli o regolazioni o l'esecuzione di procedure diverse da quelle specificate può causare l'esposizione a radiazioni pericolose.

PRECAUZIONI PRIMA DELL'USO

CONSERVARE QUESTE ISTRUZIONI:

1. Non coprire o bloccare le aperture di ventilazione. Quando si posiziona il dispositivo su uno scaffale, lasciare uno spazio libero di 5 cm (2") attorno all'intero perimetro.
2. Installare secondo quanto riportato nel manuale fornito.
3. Tenere il dispositivo lontano da sorgenti termiche come radiatori, termosifoni, stufe, candele e altri prodotti che generano calore o fiamme libere. Il dispositivo può essere utilizzato solo in climi moderati. Evitare ambienti estremamente freddi o caldi. Working temperature between 0° and 35°C.
4. Evitare l'uso del dispositivo in presenza di forti campi magnetici.
5. Le scariche elettrostatiche possono interferire con il normale utilizzo di questo dispositivo. In tal caso, è sufficiente ripristinare e riavviare il dispositivo seguendo il manuale di istruzioni. Durante la trasmissione di file, maneggiarlo con cura e operare in un ambiente privo di elettricità statica.
6. Avviso! Non inserire mai oggetti nel prodotto attraverso le prese d'aria o le aperture. All'interno del prodotto sono presenti tensioni elevate e l'inserimento di un oggetto può provocare scariche elettriche e/o cortocircuiti. Per lo stesso motivo, non versare acqua o liquidi sul prodotto.
7. Non utilizzare in aree umide o bagnate come bagni, cucine con vapore o piscine.
8. Non esporre il dispositivo a schizzi o gocciolamenti di liquidi; non poggiare sopra o accanto al dispositivo oggetti contenenti liquidi, ad esempio vasi.
9. Non utilizzare questo dispositivo in caso di condensa. Quando l'unità viene utilizzata in una stanza calda e bagnata con umidità presente, potrebbero prodursi gocce d'acqua o condensa all'interno dell'unità e l'unità potrebbe non funzionare correttamente; lasciare l'unità spenta per 1 o 2 ore prima di accenderla nuovamente. L'unità deve essere asciutta prima della connessione all'alimentazione.
10. Sebbene questo dispositivo sia fabbricato con la massima cura e controllato più volte prima di lasciare la fabbrica, è comunque possibile che si verifichino problemi come per qualsiasi altra apparecchiatura elettrica. Se si nota fumo, eccessivo accumulo di calore o altri fenomeni imprevisti, scollegare immediatamente la spina dalla presa di alimentazione principale.
11. Questo dispositivo deve funzionare con una fonte di alimentazione con i valori indicati sull'etichetta delle specifiche. Se non si è sicuri del tipo di alimentazione utilizzata in casa, consultare il rivenditore o la compagnia elettrica locale.
12. Tenere fuori dalla portata degli animali domestici, Some animals enjoy biting on power cords.
13. Per pulire il dispositivo, utilizzare un panno morbido e asciutto. Non usare solventi o liquidi a base di benzina. Per rimuovere le macchie persistenti, è possibile utilizzare un panno umido con detergente diluito.
14. Il fornitore non è responsabile per danni o perdita di dati causati da malfunzionamento, uso improprio, modifica del dispositivo o sostituzione della batteria.
15. Non interrompere la connessione quando il dispositivo sta formattando o trasferendo file. In caso contrario, i dati potrebbero essere danneggiati o andare persi.
16. Se l'unità dispone della funzione di riproduzione USB, la chiavetta USB deve essere collegata direttamente all'unità. Non utilizzare una prolunga USB perché può causare interferenze con conseguenti anomalie dati.
17. L'etichetta dei dati è riportata sul pannello inferiore o posteriore dell'apparecchio.
18. Questo dispositivo non è destinato all'uso da parte di persone (compresi i bambini) con disabilità fisiche, sensoriali o mentali, o mancanti di esperienza e conoscenza, a meno che non siano sotto supervisione o abbiano ricevuto istruzioni circa l'uso corretto del dispositivo da parte di chi è responsabile per la loro sicurezza.
19. Questo prodotto è destinato esclusivamente all'uso non professionale e non commerciale o industriale.
20. Assicurarsi che l'unità sia collocata in una posizione stabile. I danni causati dall'uso di questo prodotto in una posizione instabile, vibrazioni o urti o la mancata osservanza di qualsiasi altro avvertimento o precauzione indicati in questo manuale utente non saranno coperti da garanzia.
21. Non rimuovere mai la carcassa di questo dispositivo.
22. Non posizionare mai questo dispositivo su altre apparecchiature elettriche.

23. Non permettere ai bambini di accedere ai sacchetti di plastica.
24. Utilizzare solo collegamenti/accessori specificati dal produttore.
25. Rivolgersi a personale qualificato per l'assistenza. La manutenzione è necessaria quando l'apparecchio è stato danneggiato in qualsiasi modo, come ad esempio quando il cavo o la presa di alimentazione o sono deteriorati, quando è stato versato un liquido, quando sono caduti nell'apparecchio degli oggetti, quando l'apparecchio è stato esposto a pioggia o umidità, quando non funziona normalmente o quando è caduto.
26. L'esposizione prolungata ai suoni ad alto volume dei lettori musicali può causare una perdita temporanea o permanente dell'udito.
27. Se il prodotto viene consegnato con cavo di alimentazione o adattatore di alimentazione CA:
 - In caso di problemi, scollegare la scheda di alimentazione CA e rivolgersi a personale qualificato.
 - Non calpestare o schiacciare l'alimentatore. Fare molta attenzione, in particolare vicino alle prese e al punto di uscita del cavo. Non posizionare oggetti pesanti sull'alimentatore in quanto potrebbero danneggiarlo. Tenere il dispositivo fuori dalla portata dei bambini. Giocando con il cavo di alimentazione possono infortunarsi seriamente.
 - Scollegare il dispositivo durante i temporali o quando non viene utilizzato per un lungo periodo.
 - La presa di corrente deve essere installata vicino all'apparecchio e deve essere facilmente accessibile.
 - Non sovraccaricare le prese CA né le prolunghe. Il sovraccarico può causare incendi o scariche elettriche.
 - I dispositivi con struttura di classe 1 devono essere collegati a una presa di rete con connessione di messa a terra di protezione.
 - I dispositivi con struttura di classe 2 non richiedono un collegamento a terra.
 - Tenere sempre la spina quando la si estrae dalla presa di rete. Non tirare il cavo di alimentazione. Ciò può causare un cortocircuito.
 - Non utilizzare un cavo o una presa di alimentazione danneggiati o una presa non fissata. Tale azione potrebbe provocare incendi o scariche elettriche.
28. Se il prodotto contiene o viene consegnato con un telecomando contenente batterie a pulsante/a bottone:

Avvertenza:

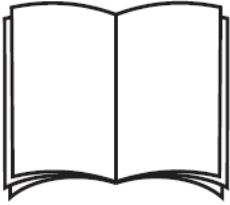
 - "Non ingerire la batteria, pericolo di ustioni chimiche" o funzionamento equivalente.
 - [Il telecomando in dotazione con] Il presente prodotto contiene una pila a bottone. Se ingerita, la batteria può causare gravi ustioni interne in sole 2 ore e portare alla morte.
 - Tenere le batterie, nuove o usate, fuori dalla portata dei bambini.
 - Se il vano batteria non si chiude completamente, interrompere l'uso del dispositivo e tenerlo fuori dalla portata dei bambini.
 - Se si teme che delle batterie possano essere state inghiottite o essere venute a contatto con qualsiasi parte interna del corpo, contattare immediatamente un medico.
29. Precauzioni sull'uso delle batterie:
 - Pericolo di esplosione se la batteria viene sostituita in modo errato. Sostituire solo con lo stesso tipo o equivalente.
 - Non sottoporre le batterie a temperature estreme alte o basse, bassa pressione dell'aria ad alta quota durante l'uso, lo stoccaggio o il trasporto.
 - La sostituzione con una batteria di tipo errato può provocare un'esplosione o la perdita di liquidi o gas infiammabili.
 - Lo smaltimento di una batteria nel fuoco o in un forno caldo o lo schiacciamento o il taglio meccanico di una batteria possono provocare un'esplosione.
 - Lasciare una batteria in un ambiente circostante a temperatura estremamente elevata può provocare un'esplosione o una perdita di liquidi o gas infiammabili.
 - Una batteria soggetta a una pressione dell'aria estremamente bassa può provocare un'esplosione o una perdita di liquidi o gas infiammabili.
 - È necessario prestare attenzione agli aspetti ambientali legati allo smaltimento delle batterie.

INSTALLAZIONE

- Disimballare tutte le parti e rimuovere il materiale protettivo.
- Non collegare l'unità alla rete elettrica prima di avere controllato la tensione di rete e prima che siano stati effettuati tutti gli altri collegamenti.

Accessori inclusi nella fornitura:

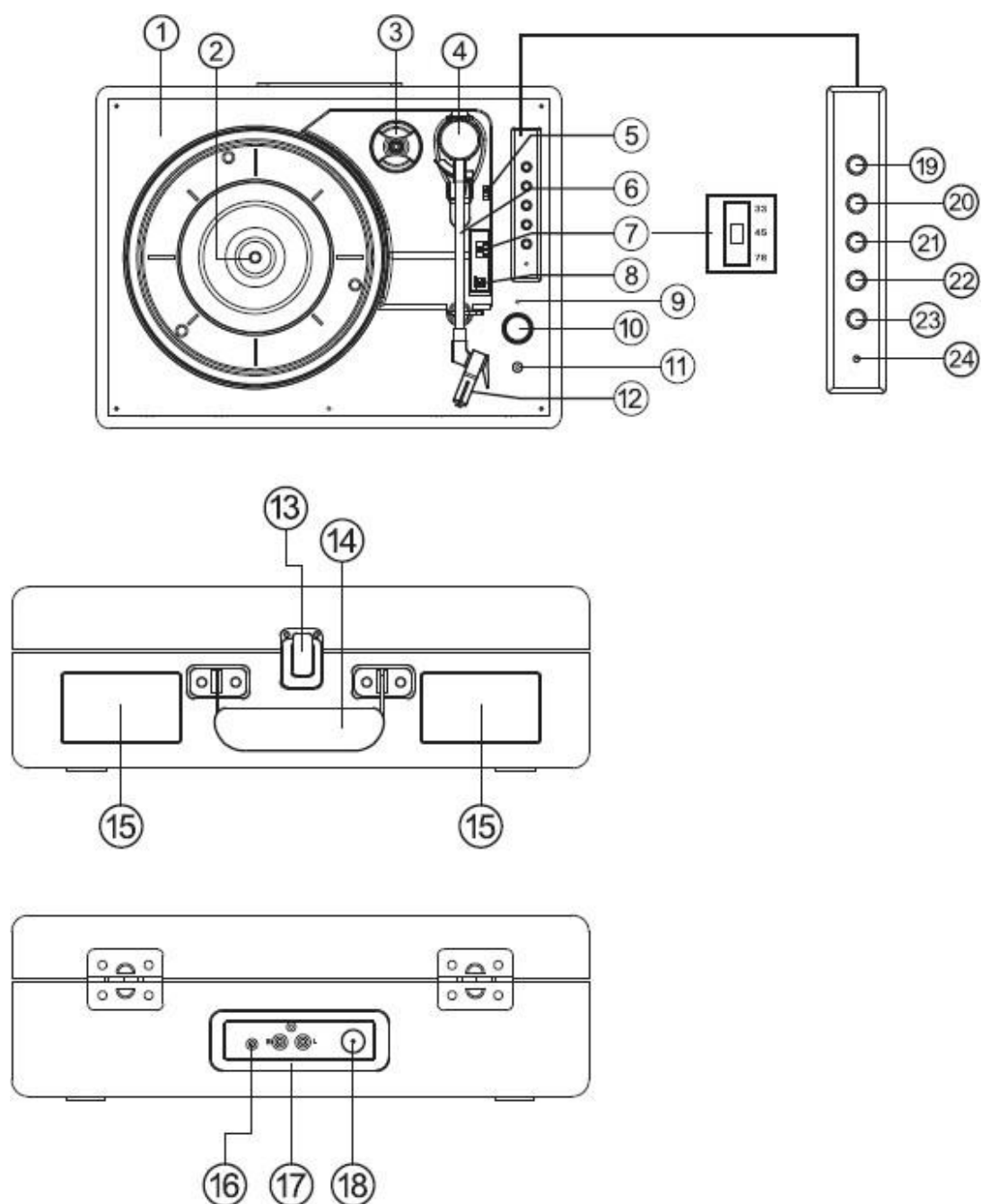
Manuale d'uso



Alimentatore



Pozione dei comandi



1. Piano del giradischi
2. Albero motore del giradischi
3. Adattatore per foro centrale
4. Braccio di lettura
5. Leva di posizionamento
6. Fermo del braccio di lettura

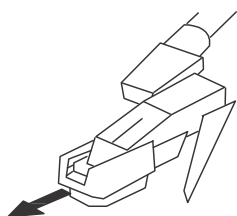
7. Selettore di velocità del giradischi
8. Interruttore di arresto automatico
9. Indicatore di stato a LED
10. Interruttore di alimentazione/Regolazione del volume
11. Jack per cuffie
12. Stylus
13. Chiusura a scatto
14. Maniglia per il trasporto
15. Altoparlante
16. Jack di ingresso Aux
17. Uscita audio (Line out) canale R/L
18. Jack di ingresso CC
19. Associazione
20. Brano precedente
21. Brano successivo
22. Riproduzione/pausa
23. Modalità
24. Indicatore di modalità

Modalità

1. Premere brevemente “Modalità” per selezionare la modalità di riproduzione.
2. Il LED blu lampeggia quando il Bluetooth è in fase di associazione.
3. Il LED blu si accende quando il Bluetooth è connesso
4. Il LED rosso si accende quando viene selezionata la modalità giradischi.
5. Il LED verde si accende quando viene selezionata la modalità Aux in.

Utilizzo del giradischi

1. Posizionare l'alloggiamento del giradischi su una superficie piana.
2. Inserire un'estremità del cavo dell'adattatore nella presa CC sul retro dell'alloggiamento e inserire l'altra estremità dell'adattatore nella presa di alimentazione.
3. Al primo utilizzo, assicurarsi che la fascetta venga rimossa dal braccio del lettore.
4. Rimuovere il cappuccio di protezione della testina e conservarla in un luogo sicuro per utilizzi futuri



5. Spostare il selettore di velocità (a 33,45 o 78 giri/min) in modo che corrisponda a quella del disco riprodotto
6. Ruotare la manopola di regolazione del volume per accendere il giradischi, l'indicatore di modalità diventerà rosso

7. Posizionare un disco sul mandrino del giradischi e sganciare il braccio di lettura
8. Usare la leva di posizionamento per sollevare il braccio di lettura e spostarlo in modo che la puntina venga posizionata esattamente sul bordo del disco o orientata in modo tale da poter avviare la riproduzione del brano.
9. Abbassare lentamente il braccio e dopo qualche istante verrà avviata la riproduzione del disco
10. Regolare il volume al livello desiderato ruotando la manopola di regolazione del volume
11. Al termine della riproduzione del disco, il giradischi si ferma
12. Utilizzare nuovamente la leva per sollevare il braccio di lettura (il piano inizierà a ruotare di nuovo), riportare il braccio verso il fermo e abbassarlo nell'apposito supporto. A questo punto il piano si ferma
13. Fissare il braccio di lettura con il fermo e reinserire il cappuccio della puntina dopo l'uso e sempre prima di spostare il giradischi.
14. Per spegnere il giradischi in qualsiasi momento, sollevare il braccio di lettura sul disco e ruotare la manopola del volume completamente in senso antiorario.

Nota

Alcuni dischi presentano un foro centrale più grande e potrebbe essere necessario montare l'adattatore per il foro centrale sull'albero del giradischi prima di posizionare il disco. Prima di spostare il giradischi, reinserire sempre il cappuccio della puntina e fissare il braccio del giradischi tramite l'apposito fermo.

Utilizzo tramite dispositivo ausiliario

1. Gli apparecchi analogici audio ausiliari possono essere collegati e amplificati tramite il giradischi.
2. Collegare l'apparecchio ausiliario utilizzando un cavo jack da 3,5 mm (non incluso) da inserire nel connettore jack LINE IN.
3. Premere il pulsante di riproduzione sull'apparecchio ausiliario e utilizzare i comandi di riproduzione su quest'ultimo come di consueto.
4. Il volume può essere regolato tramite la manopola di regolazione del volume del giradischi o i comandi del dispositivo ausiliario.
5. Per spegnere l'unità in qualsiasi momento, ruotare completamente la manopola del volume in senso antiorario.

Utilizzo delle cuffie (non incluse)

Per utilizzare il giradischi senza disturbare gli altri, nella fornitura è stato incluso un jack per cuffie stereo. Inserire le cuffie nel punto di collegamento contrassegnato con tale dicitura accanto alla manopola di regolazione del volume e regolare il volume al livello desiderato. Un'eccessiva pressione sonora generata da auricolari o cuffie può comportare la perdita dell'udito. Gli altoparlanti del giradischi non saranno operativi quando vengono collegate le cuffie.

Collegamento del giradischi a un altoparlante esterno

Per il collegamento del giradischi a degli altoparlanti esterni (tramite un amplificatore adatto)

Usare un cavo phono a due connettori (non incluso) per collegare i jack di uscita RCA all'ingresso Audio dell'amplificatore. Assicurarsi di collegare i connettori rossi e bianchi nelle rispettive prese dello stesso colore.

Utilizzo di un dispositivo Bluetooth

Assicurarsi che il giradischi si trovi in modalità Bluetooth. In caso contrario, premere brevemente il pulsante Modalità finché non viene impostata la modalità Bluetooth (il LED blu si accende). Verrà avviata la ricerca dei dispositivi Bluetooth (il LED blu lampeggia durante l'associazione).

In modalità Bluetooth:

1. Il proprio dispositivo effettua la ricerca Bluetooth.
2. Sul dispositivo (ad es. iPhone/iPad/Android/altro telefono/Tablet/Computer), attivare la connettività Bluetooth e fare in modo che sia 'visibile'.

Nota: se necessario, fare riferimento alle istruzioni del proprio dispositivo per aggiungere o configurare il Bluetooth.

3. Selezionare 'Aggiungi dispositivo', se necessario.

Nota: alcuni prodotti effettuano la ricerca dei nuovi dispositivi in modo automatico, pertanto in tal caso l'opzione 'Aggiungi nuovo dispositivo' non sarà disponibile.

4. Una volta trovato, il proprio dispositivo verrà visualizzato come 'Lenco TT-110'. Selezionare e avviare l'associazione.
5. Al termine dell'associazione, verrà visualizzato 'Bluetooth connesso'.
6. A questo punto, dopo aver associato il dispositivo al giradischi, quest'ultimo si conatterà ad esso entro un raggio d'azione di circa 10 metri o meno (33 piedi o meno), in linea visiva.
7. Il proprio dispositivo rimarrà associato al giradischi a meno che non si decida di disconnetterlo o 'annullare l'associazione'.
8. È possibile premere brevemente "Associa" per la riconnessione.

Riproduzione Bluetooth

1. Premere "Indietro" per passare al brano precedente del proprio dispositivo Bluetooth.
2. Premere "Avanti" per passare al brano successivo del proprio dispositivo Bluetooth.
3. Premere "Riproduzione/pausa" per riprodurre o mettere in pausa il proprio dispositivo Bluetooth.

"Questo prodotto ha una funzione di **ricezione** bluetooth, **non puoi trasmettere alcun suono bluetooth con esso**: questo significa che puoi ricevere in modalità wireless un segnale audio bluetooth da una fonte esterna come uno smartphone."

COME SOSTITUIRE LA PUNTINA

Per sostituire la puntina, fare riferimento alle istruzioni che seguono.

Rimozione della puntina dalla cartuccia

1. Posizionare un cacciavite sulla punta della testina e spingere verso il basso nella direzione indicata nel

punto "A" del disegno.

2. Rimuovere la testina tirandola in avanti e spingendola verso il basso.

Installazione della testina

1. Tenere la punta della testina e inserirla spingendola nella direzione indicata nel punto "B" del disegno.
2. Spingere la testina verso l'alto nella direzione indicata nel punto "C" del disegno fino allo scatto in posizione della puntina.



EN	IT
Guide Pins (inside)	Perni guida (all'interno)

NOTE

Si consiglia di pulire i dischi con un panno antistatico per poterli sfruttare al massimo.

Si ricorda inoltre che per lo stesso motivo la testina deve essere sostituita periodicamente (circa ogni 250 ore di riproduzione)

SUGGERIMENTI PER PRESTAZIONI OTTIMALI DEL GIRADISCHI

1. Quando si apre o si chiude il coperchio del giradischi, maneggiarlo con delicatezza, afferrandolo al centro o per entrambi i lati.
2. Evitare di toccare la puntina con le dita; evitare di urtare la puntina contro il piatto del giradischi o il bordo del disco.
3. Pulire spesso la punta della testina, usare un pennello morbido limitandosi a un movimento "da dietro in avanti".
4. Nel caso in cui sia necessario usare un liquido per la pulizia della puntina, utilizzarlo con molta parsimonia.
5. Pulire delicatamente l'alloggiamento del giradischi con un panno morbido. Utilizzare soltanto una piccola quantità di detergente delicato per pulire il giradischi.
6. Evitare in ogni caso di applicare prodotti chimici aggressivi o solventi su qualsiasi parte del giradischi.

SPECIFICHE

Tipo	trasmissione a cinghia
Motore di trasmissione	Motore CC
velocità	33 1/3 giri/min, 45 giri/min, 78 giri/min
wow and flutter	<0,35%
Piatto girevole	200mm

testina

Tipo	testina in ceramica
Puntina	0.7 mil
Forza di tracciamento ottimale	6 grammi
uscita	300-500 mv
Risposta in frequenza	,+/-20 dB
diafonia	10 db
rapporto segnale-rumore (S/N)	18 db

Generale

Adattatore	Ingresso CA 100-240 V, 50/60 Hz, 0,3 A max. Uscita CC 5 V 1 A
prodotti	CC 5 V 1 A
uscita audio (Line-Out)	300-500 mv
Consumo	5 W
Alimentatore.	Uscita CC 5 V 1 A Ingresso CA 100-240 V, 50/60 Hz, 0,3 A max.
Nome di associazione Bluetooth:	Lenco TT-110
Presa per cuffie:	3,5 mm
Temperatura di esercizio:	0-40 °C
Temperatura di stoccaggio:	-20-70 °C

In virtù dei continui miglioramenti, le caratteristiche e il design sono soggetti a modifiche senza preavviso

Adattatore di alimentazione (solo per UE)

Utilizzare solo l'alimentazione indicata nel presente manuale

Informazioni	Valore e precisione
Manufacturers name or trade mark, commercial registration and address	DongGuan Obelieve Electronic Co., Ltd Parco industriale Huazhaoxin B-4/F, zona industriale Golden phoenix, città di Fenggan, città di Dongguan, provincia di Guangdong, Cina
Identificatore del modello	OBL-0501000E
Tensione in ingresso	100-240V
Frequenza in ingresso CA	50/60 Hz
Tensione in uscita	5 V
Corrente in uscita	1 A
Potenza in uscita	5 W
Efficienza media attiva	73,62
No load Power consumption	≤ 0,10

Garanzia

Commaxx B.V. offre assistenza e garanzia in conformità con la legge europea, il che significa che in caso di riparazioni (sia durante che dopo il periodo di garanzia) è necessario contattare il rivenditore locale.

Nota importante: Non è possibile inviare direttamente a Commaxx B.V. i prodotti da riparare.

Nota importante: Qualora l'unità venga aperta o manomessa in qualsiasi modo da un centro di assistenza non riconosciuto, la garanzia decade.

Questo dispositivo non è adatto per l'uso professionale. Qualora l'unità venga utilizzata per scopi professionali, tutti gli obblighi del produttore derivanti dalla garanzia sono nulli.

Clausola di esclusione della responsabilità

Il firmware e/o i componenti hardware vengono aggiornati regolarmente. Pertanto, è possibile che alcune parti relative a istruzioni, specifiche e immagini contenute nella presente documentazione siano diverse da quanto riscontrato nel singolo caso. Tutte le descrizioni incluse in questa guida sono fornite a puro titolo illustrativo e non si applicano necessariamente alla specifica situazione. Nessun diritto legale o contrattuale può derivare dalle descrizioni contenute nel presente libretto di istruzioni.

Smaltimento a fine vita del dispositivo



Questo simbolo indica che in Europa è vietato gettare il relativo prodotto elettrico o batteria tra i rifiuti domestici. Per il corretto smaltimento a fine vita del prodotto e della batteria, attenersi alle vigenti normative locali per il trattamento dei rifiuti da apparecchiature elettriche ed elettroniche e delle batterie. In tal modo si contribuisce a salvaguardare le risorse naturali e a migliorare gli standard per la protezione

dell'ambiente nel trattamento dei rifiuti da apparecchiature elettriche ed elettroniche (Direttiva RAEE).

DICHIARAZIONE DI CONFORMITÀ

Il fabbricante, Commaxx, dichiara che il tipo di apparecchiatura radio [Lenco TT-110] è conforme alla direttiva 2014/53/UE. Il testo completo della dichiarazione di conformità UE è disponibile al seguente indirizzo Internet:

https://commaxx-certificates.com/doc/tt-110_doc.pdf

Tipo RF	Intervallo di frequenze (MHz)	Potenza (dBm)
Bluetooth	2402-2480	<6



AVVERTENZA: per prevenire possibili danni all'udito, evitare l'ascolto ad alto volume per periodi di tempo prolungati.

Assistenza

Per ulteriori informazioni e accesso all'helpdesk, visitare il sito www.lenco.com

Commaxx B.V. Wiebachstraat 37, 6466 NG Kerkrade, The Netherlands.

DİKKAT:

Burada belirtilenler dışındaki kontrollerin, ayarların veya prosedürlerin kullanılması tehlikeli radyasyona maruz kalmayla sonuçlanabilir.

KULLANMADAN ÖNCE ÖNLEMLER**BU TALİMATLARI DİKKATE ALIN:**

1. Havalandırma deliklerini kapatmayın veya bloke etmeyin. Cihazı bir raf üzerine yerleştirirken, tüm cihazın etrafında 5 cm boşluk bırakın.
2. Verilen kullanım kılavuzuna göre monte edin.
3. Cihazı radyatörler, ısıtıcılar, sobalar, mumlar ve diğer ısı üreten ürünler veya açık alev gibi ısı kaynaklarından uzak tutun. Cihaz sadece ılımlı iklimlerde kullanılabilir. Aşırı soğuk veya sıcak ortamlardan kaçınılmalıdır. Çalışma sıcaklığı 0° ile 35° C arasındadır.
4. Cihazı güçlü manyetik alanların yakınında kullanmaktan kaçının.
5. Elektrostatik boşalma, bu cihazın normal kullanımını bozabilir. Bu durumda, kullanım kılavuzunu takip ederek cihazı sıfırlayın ve yeniden başlatın. Dosya aktarımı sırasında, lütfen dikkatli kullanın ve statiksiz bir ortamda çalıştırın.
6. Uyarı! Cihazın içine havalandırma deliklerinden veya açıklıklardan asla bir cisim sokmayın. Üründen yüksek voltaj geçmektedir ve içine bir cisim sokulması elektrik çarpmasına ve/veya iç parçalarda kısa devreye neden olabilir. Aynı nedenle, ürünün üzerine su veya sıvı dökmeyin.
7. Banyolar, buharlı mutfaklar veya yüzme havuzları yakını gibi ıslak veya nemli yerlerde kullanmayın.
8. Cihaz, sıvı damlamasına veya sıçramasına maruz bırakılmamalıdır ve vazo gibi sıvı dolu cisimler cihazın üzerine veya yakınına yerleştirilmemelidir.
9. Bu cihazı yoğuşma olabilecek durumlarda kullanmayın. Cihaz nemli sıcak bir ıslak odada kullanıldığında, cihazın içinde su damlacıkları veya yoğuşma meydana gelebilir ve cihaz düzgün çalışmayabilir; gücü açmadan önce cihazı 1 veya 2 saat kapalı durumda tutun: elektrik açılmadan önce cihaz kuru olmalıdır.
10. Bu cihaz çok dikkatli bir şekilde üretilmiş olmasına ve fabrikadan çıkmadan önce birkaç kez kontrol edilmesine rağmen, tüm elektrikli cihazlarda olduğu gibi sorunların ortaya çıkması mümkündür. Duman, aşırı ısı birikimi veya beklenmedik bir olgu fark ederseniz, derhal ana prizden fişi çıkarmalısınız.
11. Bu cihaz, teknik özellik etiketinde belirtilen bir güç kaynağı ile çalışmalıdır. Evinizde kullanılan güç kaynağı türünden emin değilseniz, satıcınıza veya yerel elektrik şirketinize danışın.
12. Hayvanlardan uzak tutunuz. Bazı hayvanlar güç kablolarını ısirmaktan hoşlanırlar.
13. Cihazı temizlemek için yumuşak kuru bir bez kullanın. Çözelti veya benzin tabanlı sıvılar kullanmayın. Ağır lekeleri çıkarmak için seyreltilmiş deterjanla nemli bir bez kullanabilirsiniz.
14. Tedarikçi, arıza, yanlış kullanım, cihaz üzerinde değişiklik yapılmasından veya pil değişiminden kaynaklanan hasar veya kayıp verilerden sorumlu değildir.
15. Cihaz dosyaları biçimlendirirken veya aktarırken bağlantıyı kesmeyin. Aksi takdirde veriler bozulabilir veya kaybolabilir.
16. Cihazda USB oynatma fonksiyonu varsa, usb bellek doğrudan cihaza takılmalıdır. USB uzatma kablosu kullanmayın, çünkü parazite neden olabilir ve veri hatası oluşabilir.
17. Derecelendirme etiketi, cihazın alt veya arka panelinde işaretlenmiştir.
18. Bu cihaz, güvenliklerinden sorumlu kişilerin gözetiminde olmayan veya bu kişilerce cihazın doğru kullanımı hakkında talimat almayan, fiziksel, duyuşsal veya zihinsel engelli veya deneyim ve bilgi eksikliği olan kişiler (çocuklar dahil) tarafından kullanılmak üzere tasarlanmamıştır.
19. Bu ürün sadece profesyonel olmayan kullanım içindir, ticari veya endüstriyel kullanım için değildir.
20. Cihazın sabit bir konumda ayarlandığından emin olun. Bu ürünün dengesiz, titreşim veya darbelere maruz bir konumda kullanılması veya bu kullanım kılavuzunda yer alan diğer uyarılara veya önlemlere uyulmamasından kaynaklanan hasarlar garanti kapsamında değildir.
21. Bu cihazın kasasını asla çıkarmayın.
22. Bu cihazı asla başka elektrikli ekipmanların üzerine koymayın.
23. Çocukların plastik torbalara erişmesine izin vermeyin.
24. Yalnızca üretici tarafından belirtilen ekleri/aksesuarları kullanın.
25. Tüm servis işlemleri için yetkili servis personeline başvurun. Cihaz, güç kaynağı kablosu veya fiş gibi herhangi bir şekilde hasar gördüğünde, cihazın üzerine sıvı döküldüğünde veya cihazın içine cisim düştüğünde, cihaz yağmur veya neme maruz kaldığında, normal şekilde çalışmadığında veya düşürüldüğünde servis gereklidir.

26. Kişisel müzik çalarlardan uzun süre yüksek sese maruz kalınması geçici veya kalıcı işitme kaybına yol açabilir.
27. Ürün güç kablosu veya AC güç adaptörü ile birlikte teslim edilmişse:
- herhangi bir sorun olursa, AC güç kartını kesin ve teknik servis için yetkili personele başvurun.
 - Güç adaptörü üzerine basmayın veya sıkıştırmayın. Özellikle fişlerin ve kablunun çıkış noktasının yakınında çok dikkatli olun. Güç adaptörünün üzerine zarar verebilecek ağır cisimler koymayın. Cihazı bütün olarak çocuklardan uzak tutun! Zira güç kablosuyla oynarken ciddi şekilde yaralanabilirler.
 - Şimşekli fırtınalarda veya uzun süre kullanılmadığında cihazın fişini çekin.
 - Priz cihaza yakın monte edilmelidir ve kolay erişilebilir olmalıdır.
 - AC prizleri veya uzatma kablolarını aşırı yüklemeyin. Aşırı yükleme yangına veya elektrik çarpmasına neden olabilir.
 - Sınıf 1 konstrüksiyona sahip cihazlar koruyucu topraklı bağlantısı olan bir şebeke prizine bağlanmalıdır.
 - Sınıf 2 konstrüksiyona sahip cihazlar topraklanmış bir bağlantı gerektirmez.
 - Ana şebeke prizinden çıkarırken daima fişten tutun. Güç kablosunu çekmeyin, aksi halde kısa devre oluşabilir.
 - Hasarlı bir güç kablosu veya fişi veya gevşek bir prizi kullanmayın. Aksi takdirde yangın veya elektrik çarpması meydana gelebilir.
28. Üründe düğme/hücre pilleri varsa veya bunları içeren bir uzaktan kumanda ile gelmişse:
- Uyarı:
- “Pili yutmayın. Kimyasal Yanık Tehlikesi” veya eşdeğeri.
 - [Ürünle birlikte verilen uzaktan kumanda] Bu ürün, düğme pil/düğme hücre pil içerir. Sadece 2 saat içinde ciddi iç yanıklara yol açabilir ve ölüme neden olabilir.
 - Yeni ve kullanılmış pilleri çocuklardan uzak tutun.
 - Pil bölmesi sağlam şekilde kapanmıyorsa, ürünü kullanmayı bırakın ve çocuklardan uzak tutun.
 - Pillerin yutulmuş olduğunu veya vücudunun herhangi bir yerine girmiş olabileceğini düşünüyorsanız, hemen tıbbi yardım alın.
29. Pillerin kullanımı ile ilgili uyarı:
- Pil yanlış yerleştirilmişse patlama tehlikesi. Yalnızca aynı veya eşdeğer tipte pillerle değiştirin.
 - Pil, kullanım, depolama veya nakliye sırasında aşırı yüksek veya düşük sıcaklıklara, yüksek irtifalarda düşük hava basıncına maruz bırakılmamalıdır.
 - Pilin yanlış türdeki bir pille değiştirilmesi patlamaya ya da yanıcı sıvı veya gaz sızmasına neden olabilir.
 - Pilin ateşe veya sıcak bir fırına atılması veya mekanik olarak ezilmesi veya kesilmesi, patlamaya neden olabilir.
 - Pilin aşırı yüksek sıcaklıktaki bir ortamda bırakılması patlamaya veya yanıcı sıvı veya gazın sızmasına neden olabilir.
 - Pilin aşırı düşük hava basıncına maruz kalması patlamaya veya yanıcı sıvı veya gazın sızmasına neden olabilir.
 - Pilin atılmasının çevresel yönlerine dikkat edilmelidir.

KURULUM

- Tm paraları ambalajını aın ve koruyucu malzemeleri ıkarın.
- Őebeke gerilimini kontrol etmeden ve diđer tm bađlantılar yapılmadan cihazı Őebekeye bađlamayın.

Dahil olan aksesuarlar :

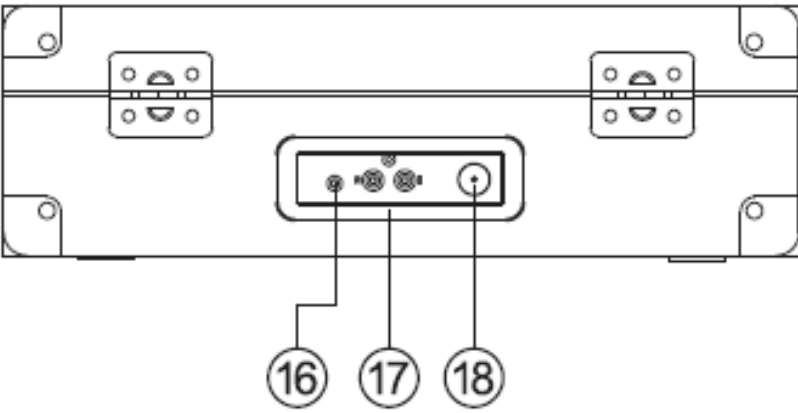
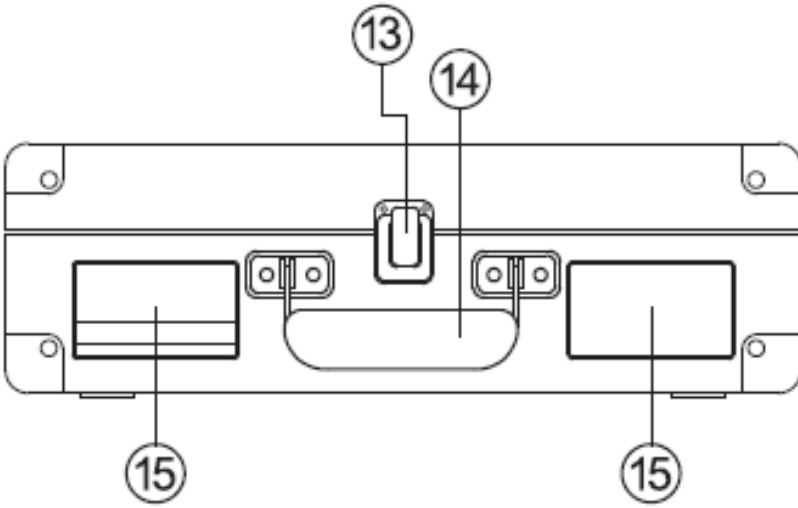
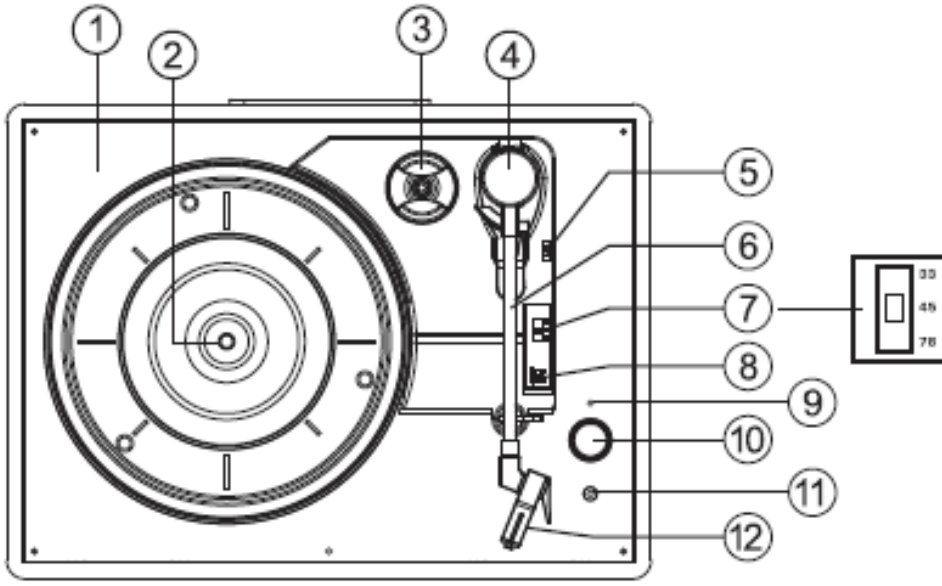
Kullanım kılavuzu



G adaptr



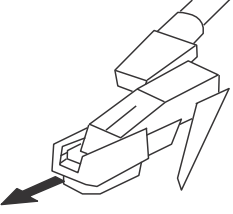
Düğmelerin Yerleri



1. Pikap platformu
2. Pikap platformu mili
3. Merkez delik adaptörü
4. Pikap kolu
5. Kaldırma kolu
6. Pikap kolu klipsi
7. Pikap platformu hız selektörü
8. Otomatik durdurma kontrol anahtarı
9. LED güç göstergesi
10. Güç anahtarı/Ses kontrolü
11. Kulaklık girişi
12. İğne
13. Kilit mandalı
14. Taşıma kolu
15. Hoparlör
16. Aux girişi jakı
17. Hat çıkışı kanalı R/L
18. DC giriş jakı

Pikap platformunun kullanılması

1. Pikap platformu kasasını düz bir yüzeye yerleştirin.
2. Adaptör kablosunu kasanın arkasındaki Dc jakına takın ve adaptörü ana şebeke prizine takın.
3. İlk kullanımda, kablo bağının oynatıcı kolundan çıkarıldığından emin olun.
4. İğne kapağını çıkarın ve ileride kullanmak üzere güvenli bir yerde saklayın



5. Hız selektörünü oynatılan kayda karşılık gelen hıza (33, 45 veya 78rpm) getirin.
6. Pikap platformunu açmak için Ses düğmesini çevirin ve mod göstergesi kırmızı yanacaktır.
7. Pikap platformu miline bir plak yerleştirin ve pikap kolunun klipsini açın
8. Pikap kolunu kaldırmak ve kolu hareket ettirmek için işaret kolunu kullanın, böylece iğne plağın hemen kenarına yerleştirilir veya çalınacak parçanın başlangıcıyla hizalanır.
9. Kolu yavaşça indirin ve kısa bir aradan sonra plak çalmaya başlayacaktır.
10. Ses kontrol düğmesini çevirerek ses seviyesini istenen seviyeye ayarlayın
11. Plağın sonuna ulaşıldığında pikap platformu duracaktır
12. Pikap kolunu kaldırmak için kolu tekrar kullanın (platform tekrar dönmeye başlayacaktır), klipsin içine geri götürün ve yuvanın içine indirin. Platform duracak
13. Klipsi kullanarak pikap kolunu sabitleyin ve kullanımdan sonra ve her zaman pikap platformunu hareket ettirmeden önce iğne ucu kapağını geri takın.
14. Pikap platformunu istediğiniz zaman kapatmak için, plak üzerindeki pikap kolunu kaldırın ve ses düğmesini tamamen saat yönünün tersine çevirin.

Not

Bazı plakların merkez deliği daha büyüktür ve plağı pikap platformuna yerleştirmeden önce merkez delik adaptörünü pikap platformu şaftına yerleştirmek gerekebilir. Pikap platformunu hareket ettirmeden önce her zaman klipsi kullanarak iğne kapağını geri takın ve pikap platformu kolunu sabitleyin.

Yardımcı cihaz ile kullanım

1. Yardımcı analog ses ekipmanı, pikap platformu ile bağlanabilir ve güçlendirilebilir
2. Yardımcı ekipmanı 3,5 mm jak kablosu (kablo verilmemiştir) kullanarak LINE IN jakına bağlayın.
3. Yardımcı ekipmandaki oynat düğmesine basın ve yardımcı cihazda parça kontrollerini her zamanki gibi kullanın
4. Ses, pikap platformu üzerindeki ses düğmesi veya bağlı yardımcı cihaz üzerindeki kontroller kullanılarak ayarlanabilir.
5. Üniteyi herhangi bir zamanda kapatmak için ses düğmesini saat yönünün tersine tamamen çevirin

Kulaklık kullanımı (dahil değildir)

Pikap platformunun başkalarını rahatsız etmeden kullanılabilmesi için bir stereo kulaklık jakı verilmiştir. Kulaklığı ses seviyesi düğmesinin yanındaki kulaklık işaretli noktaya takın ve dinleme ses seviyesini seçtiğiniz seviyeye ayarlayın. Kulaklıklardan gelen aşırı ses basıncı işitme kaybına neden olabilir. Kulaklık takıldığında pikap platformu hoparlörleri çalışmayacaktır.

Pikap platformunun harici hoparlöre bağlanması

Pikap platformunun harici hoparlörlere bağlanması (uygun bir amplifikatör aracılığıyla)

RCA çıkış jaklarını amplifikatörün Ses girişine bağlamak için çift uçlu ses kablosu (dahil değildir) kullanın. Kırmızı fişlerin kırmızı soketlere ve beyaz fişlerin beyaz soketlere takıldığından emin olun.

Pikap Platformu	TT-10
Tür	Kayış tahrikli tam manuel
Tahrik motoru	DC motoru
Hız	33 1/3 rpm, 45 rpm, 78 rpm
Wow ve flater	<% 0.35
Pikap platformu tablası	200 mm
Kartuş	
Tür	Seramik kartuş 402-M208-015
İğnesi	0,7 mil
Optimum izleme kuvveti	4-6 gram
Çıktı	300-500mv (CD-4005)
Frekans tepkisi	-20db (10KHz)
Çapraz karışma	10db (1KHz)
Sinyal-gürültü oranı (S / N)	18db
Genel	
ADAPTÖR	giriş AC100-240V ~ 50 / 60Hz 0.3A / çıkış DC5V 1000mA
ÜRÜN	DC5V 1000mA
Ses çıkışı (Hat Çıkışı)	300-500mv
Güç tüketimi	5W

İĞNE NASIL DEĞİŞTİRİLİR

İğneyi değiştirmek için lütfen aşağıdaki talimatlara bakın.

İğnenin kartuştan çıkarılması

1. İğnenin ucuna bir tornavida yerleştirin ve gösterildiği gibi "A" yönünde aşağı doğru itin.
2. İğneyi ileri doğru çekip aşağı doğru iterek iğneyi çıkarın.

İğnenin Takılması

1. İğnenin ucunu tutun ve "B" yönünde gösterildiği gibi bastırarak iğneyi yerleştirin.
2. İğne uç konumuna kilitlenene kadar iğneyi "C" yönünde yukarı doğru itin.



NOTLAR

Maksimum keyif almak için plaklarınızı anti statik bir bezle temizlemenizi tavsiye ederiz.

Aynı nedenle iğnenizin periyodik olarak değiştirilmesi gerektiğini de belirtmek isteriz (yaklaşık olarak her 250 saat oynatmada bir kez)

DAHA İYİ PİKAP PLATFORMU PERFORMANSI İÇİN İPUÇLARI

1. Pikap platformu kapağını açarken veya kapatırken, ortadan veya her iki yanından nazikçe tutun.

2. İğne ucuna parmaklarınızla dokunmayın; iğneyi pikap platformu tablasına veya plak kenarına çarpmaktan kaçınin.
3. İğne ucunu yumuşak bir fırça kullanarak yalnızca "arkadan öne" hareketle sık sık temizleyin.
4. İğne temizleme sıvısı kullanmanız gerekiyorsa az miktarda kullanın.
5. Pikap platformu oynatıcı muhafazasını yumuşak bir bezle nazikçe silin. Pikap platformu oynatıcıyı temizlemek için yalnızca az miktarda yumuşak bir deterjan kullanın.
6. Pikap platformu sisteminin herhangi bir parçasına asla sert kimyasallar veya çözeltiler uygulamayın.

ÜRÜN ÖMRÜ : 10 YIL

GARANTİ SÜRESİ : 2 YIL

ÖZELLİKLER

Güç adaptörü.

Çıkış DC 5V 1A

Giriş AC 100-240V, 50/60Hz, 0.3A maks.

Kulaklık soketi: 3,5 mm

Çalışma Sıcaklığı 0 ° C-40 ° C

Saklama Sıcaklığı -20 ° C-70 ° C

Devam eden iyileştirme nedeniyle, özellikler ve tasarım önceden haber verilmeksizin değiştirilebilir.

Güç kaynağı adaptörü (Yalnızca AB ve Türkiye için)

Yalnızca kullanıcı talimatlarında belirtilen güç kaynağını kullanın

Bilgi	Değer ve kesinlik
Üreticinin adı veya ticari markası, ticari tescili ve adresi	DongGuan Obelieve Electronic Co., Ltd Huazhaoxin Industrial park B-4/F, Golden phoenix industrial zone, Fenggan town, Dongguan city, Guangdong province, Çin
Model Kodu	OBL-0501000E
Giriş voltajı	100-240V
Giriş AC frekansı	50/60Hz
Çıkış voltajı	5V
Çıkış akımı	1A
Çıkış Gücü	5W
Ortalama aktif verimlilik	73.62
Yüksüz Güç tüketimi	≤0.10

Garanti

Commaxx B.V., Avrupa yasalarına göre hizmet ve garanti sunar; buna göre onarım durumunda (garanti süresi boyunca ve sonrasında) yerel satıcınıza başvurmanız gerekir.

Önemli not: Onarım gerektiren ürünleri doğrudan Commaxx B.V.'ya göndermek mümkün değildir.

Önemli not: Bu cihaz resmi olmayan bir servis merkezi tarafından herhangi bir şekilde açılır veya erişilirse, garanti süresi sona erer.

Bu cihaz profesyonel kullanım için uygun değildir. Profesyonel kullanım durumunda, üreticinin tüm garanti yükümlülükleri geçersiz olacaktır.

İthalatçı : Ece Elektronik Cihazlar End. Ltd
Kemeraltı Cad Sefkat İşhanı No:1/3
Karakoy İstanbul TURKEY
Tel : +90 212 293 79 24 Fax :+90 212 251 33 65
E-mail : info@ecelelektronik.com

Uretici : Commaxx B.V.
Wiebachstraat 37
6466 NG Kerkrade Hollanda
Tel : + 31 045-5778939
E-mail : info@lenco.com

Her türlü bakım tamir işlemi öncesi konu ile ilgili temas için :
Ece Elektronik Cihazlar End. Ltd
Kemeraltı Cad Sefkat İşhanı No:1/3
Karakoy İstanbul TURKEY
Tel : +90 212 293 79 24 Fax :+90 212 251 33 65
E-mail : info@ecelelektronik.com

Teknik Servis :
MAKSİMUM DONAN.YAZL.BİL.İLTŞ.VE REKLSAN.TİC.LTD.ŞTİ.
KUTLUBEY MAH. 106 CAD. HALI SARAYI B BLOK NO:2B İÇ KAPI NO: 32 ISPARTA
Tel : (0 246) 2325001
Mail : info@maksimumbilgisayar.com

Yasal uyarı

Bellenim ve/veya donanım bileşenlerinde güncellemeler düzenli olarak yapılır. Bu nedenle, bu belgedeki talimatların, teknik özelliklerin ve resimlerin bazıları sizin özel durumunuzdan biraz farklı olabilir. Bu kılavuzda açıklanan tüm öğeler yalnızca açıklama amaçlıdır ve belirli durumlar için geçerli olmayabilir. Bu kılavuzda yapılan açıklamalardan dolayı bir yasal hak doğmaz.

Eski Cihazın Bertarafı



Bu sembol, ilgili elektrikli ürünün veya pilin Avrupa'da genel evsel atık olarak atılmaması gerektiğini gösterir. Ürün ve pilde doğru atık işlemi yapılması için, lütfen bunları elektrikli ekipman ya da pillerin imhası için geçerli olan yerel yasalara uygun şekilde atın. Bu şekilde, elektriksel atıkların arıtılmasında ve bertaraf edilmesinde doğal kaynakların korunmasına ve çevre koruma standartlarının (Atık Elektrikli ve Elektronik Ekipman Direktifi) iyileştirilmesine yardımcı olacaksınız.

Commaxx firması olarak Lenco TT-110 modelinin içerisindeki ekipman tipinin 2014/53/EU direktifi ile uygun olduğunu belirtmek isteriz .EU (Avrupa Birliğine uygunluk deklarasyonunu 'nun tam metnini https://commaxx-certificates.com/doc/tt-110_doc.pdf adresinde bulabilirsiniz..

无法显示提供的图像。该文件可能已被移动、重命名或删除。请验证该链接是否指向正确的文件和位置。



UYARI: Olası işitme hasarını önlemek için, uzun süre yüksek ses düzeyinde dinlemeyiniz.

Servis

Daha fazla bilgi ve yardım masası desteği için lütfen www.lenco.com adresini ziyaret edin.
Commaxx B.V. Wiebachstraat 37, 6466 NG Kerkrade, The Netherlands.

FORSIGTIG:

Hvis enheden ikke anvendes, justeres og behandles i overensstemmelse med vejledningen, kan det resultere i farlig stråling.

FORHOLDSREGLER FØR IBRUGTAGNING

HUSK DISSE ANVISNINGER:

1. Tildæk eller blokér ikke ventilationsåbningerne. Hvis enheden placeres på en hylde, skal der altid være 5 cm frirum på alle sider af enheden.
2. Installér enheden i henhold til anvisningerne i den medfølgende brugervejledning.
3. Hold enheden på afstand af varmekilder som fx radiatorer, varmeapparater, ovne, stearinlys og andre varmegenererende produkter samt åben ild. Enheden er udelukkende til brug i tempererede klimazoner. Undgå stærk varme og kulde. Driftstemperatur mellem 0° og 35 °C.
4. Undlad at anvende enheden nær stærke magnetfelter.
5. Elektrostatisk udladning kan forstyrre denne enheds normale drift. Sker det, skal du blot nulstille og genstarte enheden i henhold til anvisningerne i brugervejledningen. Under filoverførsel skal du handle med omhu og betjene enheden i et område fri for statisk elektricitet.
6. Advarsel! Stik aldrig genstande ind i enheden gennem ventilationsåbninger eller sprækker. Produktet indeholder strømførende dele, og hvis du stikker en genstand ind i enheden, kan det medføre elektrisk stød og/eller kortslutning af de indre dele. Af samme grund må du ikke spilde vand eller væske på produktet.
7. Benyt ikke enheden på våde eller fugtige steder som fx på et badeværelse, i et dampfyldt køkken eller nær en swimmingpool.
8. Enheden må ikke udsættes for dryp eller stænk. Der må ikke anbringes genstande fyldt med væske, som f.eks. vaser, på eller i nærheden af enheden.
9. Brug ikke enheden på steder, hvor der kan opstå kondens. Hvis enheden placeres i et varmt og fugtigt rum, kan der danne sig vanddråber eller kondens i den, og den kan muligvis ikke fungere korrekt. Lad enheden være slukket i 1-2 timer, inden du tænder den. Enheden skal være tør, når der tændes for strømmen.
10. Trods det, at enheden er fremstillet med yderste omhu og kontrolleret flere gange før afsendelse fra fabrikken, kan det stadig forekomme, som med alle elektriske apparater, at der opstår problemer. Hvis du oplever røg eller overdreven varmeudvikling eller andre uventede fænomener, bør du omgående tage stikket ud af stikkontakten.
11. Denne enhed skal drives af en strømkilde som den, der er angivet på mærkepladen. Hvis du ikke er sikker på, hvilken forsyningsspænding, der anvendes i dit hjem, bør du søge vejledning hos din forhandler eller det lokale elselskab.
12. Hold enheden udenfor dyrs rækkevidde. Nogle kæledyr kan finde på at bide i strømkabler.
13. Rengør enheden med en blød, tør klud. Brug ikke opløsningsmidler eller benzinbaserede væsker. Hårnakkede pletter kan fjernes med en let fugtet klud med en mild sæbeopløsning.
14. Producenten er ikke ansvarlig for skade eller mistede data, der skyldes fejlfunktion, misbrug, ændringer af enheden eller udskiftning af batterier.
15. Undlad at afbryde forbindelsen, mens enheden formateres, eller der overføres filer. I modsat fald kan data blive beskadiget eller gå tabt.
16. Hvis enheden er udstyret med en funktion til USB-afspilning, skal USB-lageret sættes direkte i enheden. Brug ikke et USB-forlænger-kabel, da et sådant kan skabe interferens og føre til tab af data.
17. Mærkepladen findes i bunden eller på bagsiden af enheden.
18. Denne enhed må ikke bruges af personer (inkl. børn) med nedsatte fysiske motoriske eller mentale evner eller manglende erfaring, medmindre de er blevet instrueret i brugen af en person, der er ansvarlig for deres sikkerhed, og er under dennes opsyn.
19. Produktet er udelukkende beregnet til ikke-professionel brug, ikke til kommerciel eller industriel anvendelse.
20. Sørg for, at enheden er placeret stabilt. Skade, der skyldes anvendelse af produktet i en ustabil position, vibrationer, stød eller manglende overholdelse af de retningslinjer og andre advarsler, der er udstukket i denne brugervejledning, dækkes ikke af garantien.
21. Åbn aldrig enhedens kabinet.
22. Placér aldrig denne enhed ovenpå andet elektrisk udstyr.

23. Lad ikke børn få adgang til plastposer.
24. Brug kun tilslutninger/tilbehør, der er angivet af producenten.
25. Overlad alt servicearbejde til et kvalificeret serviceværksted. Service er påkrævet, hvis enheden på nogen måde er beskadiget, hvis f.eks. strømkablet eller stikket er beskadiget, hvis der er spildt væske på enheden, eller hvis en genstand er faldet ned i den, hvis enheden har været udsat for regn eller fugt, ikke fungerer korrekt eller er blevet tabt.
26. Langvarig lytning til musik ved høj lydstyrke kan medføre midlertidigt eller permanent høretab.
27. Hvis produktet leveres med strømkabel eller strømforsyning til vekselstrøm:
 - Hvis der opstår problemer, skal du trække strømkablet ud af kontakten og overlade al service til en kvalificeret tekniker.
 - Undlad at træde på eller klemme strømforsyningen. Vær forsigtig, især nær de steder, hvor stik og kabler er fastgjort. Undlad at placere tunge genstande på strømforsyningen, da dette vil kunne beskadige den. Hold hele enheden udenfor børns rækkevidde! Hvis børn leger med strømkabler, kan de komme slemt til skade.
 - Tag stikket ud af stikkontakten i tordenvejr, samt hvis du ikke skal bruge enheden i længere tid.
 - Enheden skal placeres nær stikkontakten, og der skal altid være let adgang til den stikkontakt, enheden er tilsluttet.
 - Undlad at overbelaste stikkontakter eller forlængerledninger. Overbelastning kan medføre brand eller elektrisk stød.
 - Enheder med klasse 1-opbygning bør forbindes til en stikkontakt med jord.
 - Enheder med klasse 2-opbygning kræver ikke jordforbindelse.
 - Hold altid i stikket, når du tager det ud af stikkontakten. Træk ikke i strømkablet. Dette kan medføre kortslutning.
 - Brug ikke et beskadiget strømkabel eller stik eller en løs stikkontakt. Gør du det, kan det medføre brand eller elektrisk stød.
28. Hvis produktet indeholder eller leveres med en fjernbetjening indeholdende knapcellebatterier:

Advarsel:

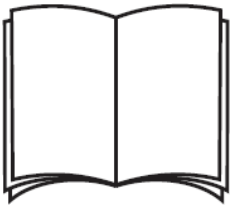
 - "Slug ikke batteriet. Der er risiko for kemisk forbrænding" eller tilsvarende.
 - (Fjernbetjeningen leveret med) dette produkt indeholder et mønt-/knapcellebatteri. Hvis batteriet sluges, kan det medføre alvorlige indre forbrændinger på blot to timer, hvilket kan medføre dødsfald.
 - Hold nye og brugte batterier udenfor børns rækkevidde.
 - Hvis batterirummet ikke kan lukkes sikkert, skal du holde op med at bruge produktet og holde det udenfor børns rækkevidde.
 - Hvis du tror, et batteri kan være blevet slugt eller placeret inden i nogen del af kroppen, skal du omgående søge lægehjælp.
29. Advarsel om brug af batterier:
 - Eksplosionsfare, hvis batteriet udskiftes med et andet af forkert type. Udskift udelukkende med samme eller tilsvarende type.
 - Batteriet må ikke udsættes for ekstremt høje eller lave temperaturer eller lavt lufttryk ved stor højde under brug, opbevaring eller transport.
 - Udskiftning af et batteri med et andet af forkert type kan medføre eksplosion eller lækage af brændbar væske eller gas.
 - Bortskaffelse af batterier ved afbrænding eller i en varm ovn eller ved mekanisk knusning eller opskæring af et batteri kan medføre en eksplosion.
 - Hvis et batteri efterlades i omgivelser med ekstremt høje temperaturer, kan det medføre eksplosion eller lækage af brændbar væske eller gas.
 - Hvis et batteri udsættes for ekstremt lavt lufttryk, kan det medføre eksplosion eller lækage af brændbar væske eller gas.
 - Tænk på miljøet ved bortskaffelse af brugte batterier.

INSTALLATION

- Udpak alle dele, og fjern beskyttelsesmaterialerne.
- Slut ikke enheden til lysnettet, før du har kontrolleret forsyningsspændingen og foretaget alle nødvendige tilslutninger.

Tilbehøret omfatter:

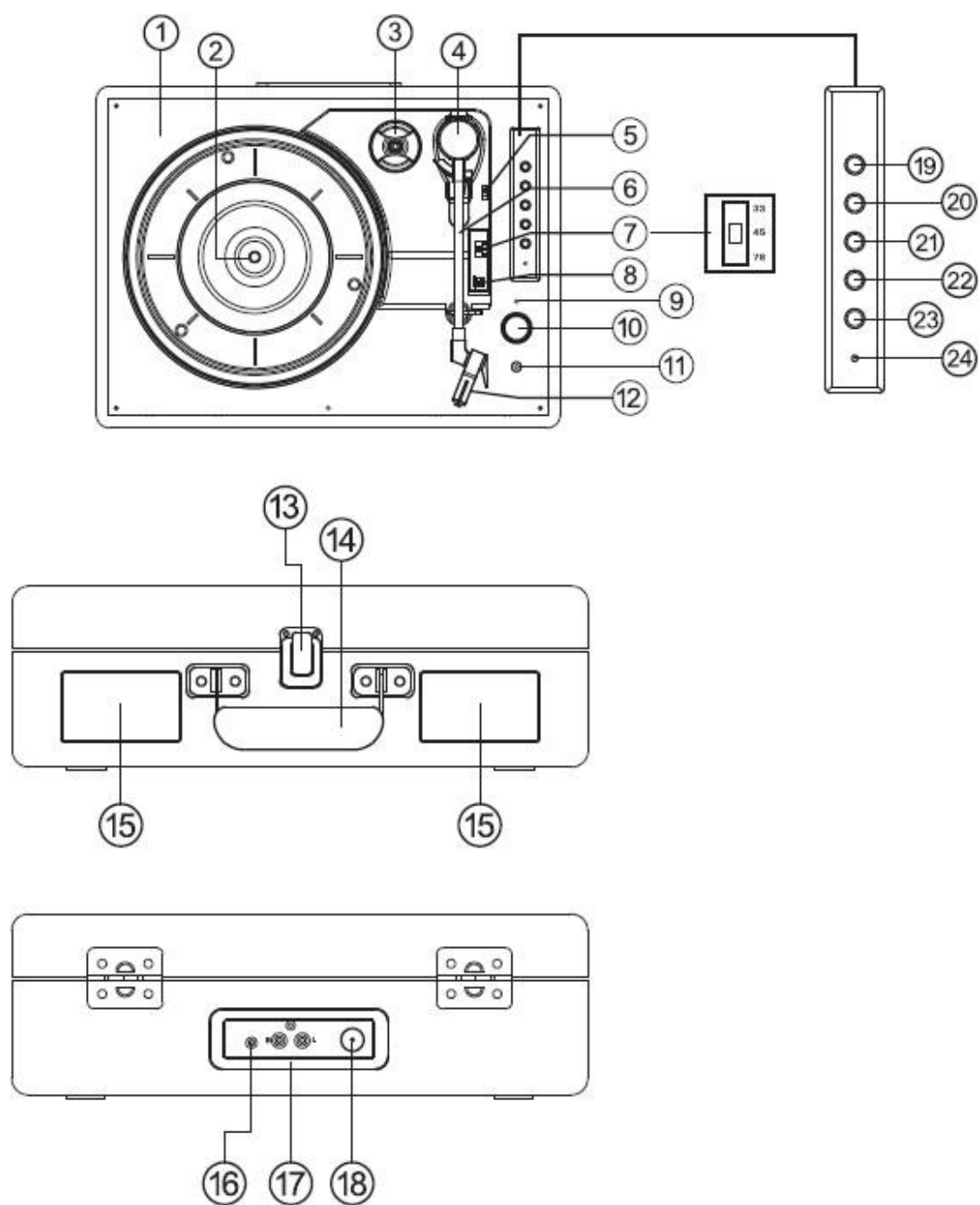
Brugervejledning



Strømforsyning



Knapper og kontroller



1. Pladetallerken
2. Spindel
3. Singleadapter
4. Tonearm
5. Løftekontakt til tonearm
6. Tonearmslås

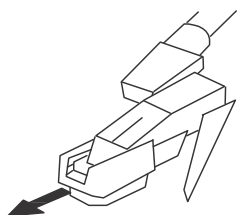
7. Hastighedsvælger
8. Auto-stopkontakt
9. LED-kontrollampe for status
10. Tænd/slukkontakt/Lydstyrke
11. Stik til hovedtelefoner
12. Nål
13. Snaplås
14. Bærehåndtag
15. Højtaler
16. Aux-indgang
17. Line out kanal R/L
18. DC-strømindtag
19. Parring
20. Førrige musiknummer
21. Næste musiknummer
22. Afspil/sæt på pause
23. Tilstand
24. Tilstandsindikator

Tilstand

1. Tryk kort på knappen "Mode (Tilstand)" for at vælge afspilningstilstand.
2. Den blå LED-kontrollampe blinker under Bluetooth-parring.
3. Den blå LED-kontrollampe lyser konstant, når Bluetooth er tilsluttet.
4. Den røde LED lyser, når den er i pladespillertilstand.
5. Den grønne LED lyser, når den er i Aux-tilstand.

Sådan bruges pladespilleren

1. Placér pladespilleren på et plant, jævnt underlag.
2. Sæt stikket til strømforsyningen i DC-stikket på bagsiden af kabinettet, og slut strømforsyningen til en stikkontakt.
3. Ved første ibrugtagning skal du sikre dig, at kabelbinderen er fjernet fra tonearmen.
4. Fjern hættten fra nålen, og gem den på et sikkert sted til senere brug.



5. Flyt hastighedsvælgeren til den ønskede hastighed (33, 45 eller 78 o./min.) afhængigt af den plade, du vil afspille.
6. Drej volumenknappen for at tænde pladespilleren, hvorefter kontrollampen for tilstand lyser rødt.
7. Læg en plade på pladetallerkenen, og åbn tonearmslåsen.
8. Brug løfteren til at løfte tonearmen, og før armen ind, så nålen er placeret direkte over den yderste rille eller starten på den skæring, du vil afspille.
9. Sænk langsomt tonearmen, hvorefter afspilningen starter.
10. Justér lydstyrken til det ønskede niveau ved at dreje volumenknappen.
11. Når pladen er spillet færdig, stopper pladespilleren.
12. Brug løftekontakten til at løfte tonearmen igen (pladetallerkenen begynder at dreje igen), og før tonearmen tilbage til holderen. Pladetallerkenen stopper.
13. Lås tonearmen med låseklipsen, og sæt hættten på nålen igen efter brugen samt altid inden pladespilleren flyttes.
14. Hvis du vil slukke pladespilleren, kan du når som helst hæve tonearmen fra pladen og dreje volumenknappen helt i bund mod uret.

Bemærk

Nogle plader har et større midterhul, og det kan være nødvendigt at sætte singleadapteren på spindelen, inden du lægger pladen på. Sæt altid hættten på nålen, og lås tonearmen med klipsen, inden du flytter pladespilleren.

Brug med ekstern enhed

1. Eksternt analogt lydudstyr kan tilsluttes og forstærkes via pladespilleren.
2. Slut det eksterne udstyr til ved hjælp af et kabel med 3,5 mm jackstik tilsluttet stikket mærket AUX IN (kabel medfølger ikke).
3. Tryk på afspilningsknappen på det eksterne udstyr, og betjen knapperne på den eksterne enhed på sædvanlig vis.
4. Lydstyrken kan reguleres med lydstyrkeknappen på pladespilleren eller med knapperne på den eksterne enhed.
5. Du kan når som helst slukke enheden ved at dreje volumenknappen helt i bund mod uret.

Brug af hovedtelefoner (tilkøb)

Enheden er udstyret med et stereostik til hovedtelefoner, så du kan anvende pladespilleren uden at forstyrre andre. Slut hovedtelefonerne til hovedtelefonstikket nær lydstyrkeknappen, og justér lydstyrken til det ønskede niveau. Overdrevent lydtryk fra brug af hovedtelefoner kan medføre høretab. Pladespillerens højttaler er slået fra, når hovedtelefoner er tilsluttet.

Tilslutning af ekstern højttaler til pladespilleren

Ved tilslutning af pladespilleren til eksterne højttalere (via en passende forstærker)

Brug et dobbelt phono- til dobbelt phonokabel (medfølger ikke) til at forbinde RCA-udgangsstikkene med forstærkerens lydindgang. Sørg for at slutte de røde stik til de røde indgange, og de hvide stik til de hvide indgange.

Anvendelse med Bluetooth-enhed

Tjek, at din pladespiller er i Bluetooth-tilstand. Hvis pladespilleren ikke allerede er i Bluetooth-tilstand, skal du trykke kort på knappen Mode, indtil Bluetooth-tilstand er aktiv (den blå LED-kontrollampe lyser). Pladespilleren begynder at søge efter Bluetooth-enheder (den blå LED-kontrollampe blinker under parringen).

I Bluetooth-tilstand:

1. Din enhed søger efter Bluetooth.
2. Slå Bluetooth til på den eksterne enhed (fx iPhone/iPad/Android/anden telefon/tablet-pc/computer), og sørg for, at enheden er "discoverable (søgbare)".

Bemærk: Se om nødvendigt vejledningen til din enhed for oplysninger om opsætning af Bluetooth.

3. Vælg om nødvendigt "Add new device" (tilføj ny enhed).

Bemærk: Nogle enheder begynder automatisk at søge efter nye enheder. I så fald er menupunktet "Tilføj ny enhed" ikke tilgængeligt.

4. Når den er fundet, vises din enhed som "Lenco TT-110". Vælg enheden, hvorefter parringen starter.
5. Når parringen er gennemført, vises "Bluetooth Connected (Bluetooth tilsluttet)".
6. Din enhed er nu parret med pladespilleren og vil oprette forbindelse til den, når den er indenfor rækkevidde (dvs. indenfor en afstand på 10 meter eller derunder) i ret linje.
7. Din enhed forbliver parret med pladespilleren, til du frakobler den eller vælger 'unpair' for at ophæve parringen.
8. Du kan trykke kort på "Pair (Parring)" for at genoprette forbindelsen.

Afspilning via Bluetooth

1. Tryk på "Back (Tilbage)" for at gå til foregående musikfil på din Bluetooth-enhed.
2. Tryk på "Next (Næste)" for at gå til næste musikfil på din Bluetooth-enhed.
3. Tryk på "Play/pause (Afspil/sæt på pause)" for at afspille fra din Bluetooth-enhed eller sætte afspilningen på pause.

"Dette produkt har en Bluetooth **modtagefunktion, men du kan ikke overføre lyd via Bluetooth fra den**: Det betyder, at du kan modtage trådløs lyd via Bluetooth fra en ekstern kilde som fx en smartphone."

SÅDAN UDSKIFTES NÅLEN

Hvis du har brug for at udskifte nålen, skal du følge vejledningen herunder.

Sådan tages nålen ud af pickuppen

1. Placér en skruetrækker ved spidsen af nålen, og tryk nedad som vist på fig. "A".
2. Tag nålen ud ved at trække den fremad og nedad.

Sådan isættes nålen

1. Hold i spidsen af nålen, og før den ind i pickuppen, som vist på fig. "B".
2. Skub nålen opad i retning "C", indtil nålen klikker på plads.



EN	DK/NO
Guide Pins (inside)	Styrestifter (indeni)

NOTER

Vi anbefaler, at du renser dine plader med en antistatisk klud for at opnå den bedst mulige lyd kvalitet fra dem.

Af samme grund anbefaler vi, at nålen udskiftes med jævne mellemrum (efter ca. hver 250 timers afspilning).

TIPS TIL BEDST MULIG YDEEVNE

1. Når du åbner eller lukker låget på pladespilleren, skal du håndtere det forsigtigt ved enten at tage fat midt for eller i begge sider.
2. Berør ikke nålespidsen med fingrene, og undgå at lade nålen bumpe imod pladetallerkenen eller kanten af pladen.
3. Rengør nålen regelmæssigt med en blød børste. Børst altid kun fra bagsiden mod forsiden.
4. Hvis du bruger nålerens, skal du kun bruge små mængder.
5. Tør forsigtigt pladespillerens kabinet med en blød klud. Brug kun en lille mængde mildt rengøringsmiddel til rengøring af pladespilleren.
6. Brug aldrig skrappe kemikalier eller opløsningsmidler på nogen del af pladespilleren.

SPECIFIKATIONER

Type	Remdrevet
Drevmotor	Jævnstrømsmotor
Hastighed	33 1/3 o./min., 45 o./min., 78 o./min.
Wow og flutter	< 0,35 %
Pladetallerken	200 mm

Pickup	
Type	Keramisk pickup
Nål	0,7 mil
Anbefalet nåletryk	6 g
output	300-500 mv
frekvensområde	+/-20 dB
krydstale	10 db
Signal-/støjforhold (S/N)	18 db
Generelt	
Strømforsyning	Indgangsspænding vekselstrøm 100-240 V, 50/60 Hz, 0,3 A maks.
	Udgangsspænding jævnstrøm 5 V 1 A
Produkt	Jævnstrøm 5 V 1 A
Lydudgang (linjeudgang)	300-500 mv
Strømforbrug	5 W

Strømforsyning. Udgangsspænding jævnstrøm 5 V 1 A
Indgangsspænding vekselstrøm 100-240 V, 50/60 Hz, 0,3 A maks.

Bluetooth-parringsnavn: Lenco TT-110

Stik til hovedtelefoner: 3,5 mm

Driftstemperatur: 0 °C - 40 °C

Opbevaringstemperatur: -20 °C - 70 °C

Ret til uvarslet ændring i design og specifikationer forbeholdes grundet fortsat produktudvikling

Strømforsyning (kun for EU)

Brug kun den strømforsyning, der er angivet i brugervejledningen

Information	Værdi og præcision
Producentens navn eller varemærke, virksomhedsregistrering og adresse	DongGuan Obelieve Electronic Co., Ltd Huazhaoxin Industrial park B-4/F, Golden phoenix industrial zone, Fenggan town, Dongguan city, Guangdong province, Kina
Modelnr.	OBL-0501000E
Indgangsspænding	100-240 V
Indgangsfrekvens, vekselstrøm	50/60 Hz
Udgangsspænding	5 V
Udgangsstrøm	1 A
Udgangseffekt	5 W

Gns. aktiv effektivitet	73,62
Strømforbrug ved ingen belastning	≤ 0,10

Garanti

Commaxx B.V. tilbyder service og garanti i overensstemmelse med europæisk lovgivning, hvilket betyder, at i tilfælde af reparation (både under og efter garantiperiodens udløb) bør du kontakte din lokale forhandler.

Vigtig meddelelse: Det er ikke muligt at sende produktet direkte til Commaxx B.V., hvis det kræver reparation.

Vigtig meddelelse: Hvis enheden åbnes eller på nogen måde tilgås af et ikke-godkendt servicecenter, bortfalder garantien.

Denne enhed er ikke egnet til professionel brug. I tilfælde af professionel brug bortfalder alle garantiforpligtelser fra producentens side.

Ansvarsfraskrivelse

Firmware og/eller hardwarekomponenter opdateres regelmæssigt. Derfor kan visse dele af vejledningen, specifikationerne og illustrationerne i vejledningen variere en smule fra dit faktiske produkt. Alle elementer, der beskrives i denne vejledning, er kun til illustration og gælder måske ikke i den givne situation. Ingen juridisk ret eller rettighed kan opnås fra beskrivelsen i denne vejledning.

Bortskaffelse af udtjente enheder



Symbolet angiver, at det relevante elektriske produkt eller batteri inden for Europa ikke må bortskaffes som almindeligt husholdningsaffald. For at sikre korrekt affaldsbehandling af produktet og batteriet skal du bortskaffe dem i overensstemmelse med gældende lokal lovgivning om bortskaffelse af elektrisk udstyr eller batterier. På den måde hjælper du med at bevare naturressourcer og forbedre miljøbeskyttelsen indenfor behandling og bortskaffelse af elektrisk affald (Direktiv om affald af elektrisk og elektronisk udstyr).

OVERENSSTEMMELSESERKLÆRING

Hermed erklærer Commaxx, at radioudstyrstypen [Lenco TT-110] er i overensstemmelse med direktiv 2014/53/EU. EU-overensstemmelseserklæringens fulde tekst kan findes på følgende internetadresse: https://commaxx-certificates.com/doc/tt-110_doc.pdf

Type RF	Frekvensområde (MHz)	Effekt (dBm)
Bluetooth	2.402-2.480	< 6



ADVARSEL: Undgå risiko for høreskader ved aldrig at lytte ved høj lydstyrke i længere tid ad gangen.

Service

Gå ind på www.lenco.com for at få yderligere oplysninger og support fra vores helpdesk

Commaxx B.V. Wiebachstraat 37, 6466 NG Kerkrade, The Netherlands.

VAR FÖRSIKTIG:

Att använda kontroller eller justeringar eller utföra andra förfaranden än de som anges häri kan leda till att du utsätts för farlig strålning.

FÖRSIKTIGHETSÅTGÄRDER INNAN ANVÄNDNING

HA DESSA INSTRUKTIONER I ÅTANKE:

1. Täck inte över eller blockera några ventilationsöppningar. När enheten placeras på en hylla bör det lämnas 5 cm (2 tum) ledigt utrymme runt hela enheten.
2. Montera i enlighet med den medföljande användarmanualen.
3. Håll enheten borta från värmekällor såsom radiatorer, värmare, spisar, ljus och andra värmegenererande produkter eller öppen eld. Enheten kan endast användas i måttliga klimat. Extremt kalla eller varma omgivningar bör undvikas. Drifttemperatur mellan 0 och 35 °C.
4. Undvik att använda enheten nära starka magnetfält.
5. Elektrostatisk urladdning kan störa den normala användningen av den här enheten. Återställ och starta om enheten enligt instruktionsboken om så är fallet. Hantera försiktigt och använd i en statiskt fri miljö vid filöverföring.
6. Varning! För aldrig in ett föremål i produkten genom ventilerna eller öppningarna. Högspänning flödar genom produkten och om du för in ett föremål kan det orsaka elektriska stötar och/eller kortslutning av interna komponenter. Undvik att spilla vatten eller vätska på produkten av samma anledning.
7. Enheten får inte användas i våta eller fuktiga miljöer såsom badrum, ångfyllda kök eller i närheten av simbassänger.
8. Enheten får inte utsättas för dropp eller stänk och se till att inga föremål fyllda med vätskor såsom vaser placeras på eller i närheten av den.
9. Enheten får inte användas när kondens kan uppstå. När enheten används i ett varmt och fuktigt rum kan vattendroppar eller kondens uppstå inuti enheten och enheten kanske inte fungerar som den ska. Låt enheten vara avstängd i en eller två timmar innan du slår på strömmen igen. Enheten ska vara torr innan strömmen slås på.
10. Även om denna enhet tillverkas med största omsorg och kontrolleras flera gånger innan den lämnar fabriken är det fortfarande möjligt att problem kan uppstå vilket gäller alla elektriska apparater. Om du märker rök, kraftig uppbyggnad av värme eller andra oväntade fenomen ska du omedelbart dra ur kontakten ur eluttaget.
11. Enheten måste drivas med en strömkälla såsom anges på de särskilda märkningskraven. Kontakta din återförsäljare eller lokala elbolag om du är osäker på vilken typ av strömförsörjning som används i ditt hem.
12. Håll på säkert avstånd från husdjur. Vissa djur kan bita på elkablar.
13. Använd en mjuk och torr trasa för att rengöra enheten. Använd inte lösningsmedel eller bensinbaserade vätskor. För att ta bort allvarliga fläckar kan du använda en fuktig trasa med utspätt rengöringsmedel.
14. Leverantören har inte något ansvar för skador eller förlorad data som uppstått till följd av felfunktion, felanvändning eller modifiering av enheten samt batteribyte.
15. Anslutningen får inte avbrytas när enheten formaterar eller överför filer. Detta kan medföra att data skadas eller försvinner.
16. Om enheten har en funktion med USB-uppspelning bör USB-minnet anslutas direkt till enheten. Använd inte en USB-förlängningskabel eftersom den kan orsaka störningar som kan leda till dataförlust.
17. Märkskylten är placerad på enhetens undersida eller baksida.
18. Den här enheten är inte avsedd för att användas av personer (inklusive barn) med fysiska, sensoriska eller psykiska funktionshinder eller brist på erfarenhet och kunskap såvida de inte är under övervakning av eller har fått instruktioner om korrekt användning av enheten av den person som ansvarar för deras säkerhet.
19. Produkten är endast avsedd för icke-professionell användning och inte för kommersiellt eller industriellt bruk.
20. Kontrollera att enheten är justerad så att den står stadigt. Skador orsakade av att använda den här produkten i ett instabilt läge med vibrationer eller stötar eller av att inte följa någon annan varning eller försiktighetsåtgärd i denna användarmanual täcks inte av garantin.
21. Ta aldrig bort enhetens hölje.

22. Placera aldrig enheten på annan elektrisk utrustning.
23. Låt inte barn ha tillgång till plastpåsar.
24. Använd endast tillbehör som anges av tillverkaren.
25. Överlåt all service till kvalificerad servicepersonal. Service krävs när enheten har skadats på något sätt, exempelvis på strömkabeln eller strömkontakten, när vätska har spillts eller föremål fallit in i den, när den har utsatts för regn eller fukt och inte fungerar normalt eller har tappats.
26. Lång exponering för höga ljud från musikspelare kan leda till tillfällig eller permanent hörselnedsättning.
27. Om produkten levereras med strömkabel eller nätadapter:
 - Dra ur strömkabeln och kontakta behörig personal för service om ett problem uppstår.
 - Undvik att trampa på nätadaptern och låt den inte hamna i kläm. Var mycket försiktig och då särskilt nära kontakter och kabelns uttag. Placera inte tunga föremål på nätadaptern då detta kan skada den. Håll hela enheten utom räckhåll för barn! Om de leker med strömkabeln kan det orsaka allvarliga skador.
 - Koppla ur denna enhet under åskväder eller när den inte används under en längre period.
 - Eluttaget måste finnas nära utrustningen och måste vara lättillgängligt.
 - Eluttaget och förlängningssladdar får inte överbelastas. Överbelastning kan orsaka brand eller elektriska stötar.
 - Enheter med klass 1-konstruktion ska anslutas till ett eluttag med skyddsjord.
 - Enheter med klass 2-konstruktion kräver ingen jordad anslutning.
 - Håll alltid i kontakten när du drar ut den ur vägguttaget. Dra inte i strömkabeln. Detta kan orsaka en kortslutning.
 - En skadad strömkabel, kontakt eller ett löst eluttag får inte användas. Om du gör detta kan det orsaka brand eller elektriska stötar.
28. Om produkten innehåller eller levereras med en fjärrkontroll som innehåller mynt/cellbatterier:

Varning:

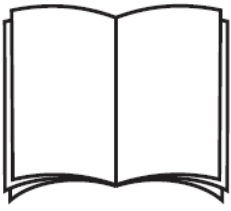
 - "Batterierna får inte förtäras, risk för kemiska brännskador!" eller liknande märkning.
 - (Den medföljande fjärrkontrollen) Denna produkt innehåller ett knappcells batteri. Om batteriet sväljs kan det orsaka allvarliga inre brännskador på bara två timmar och dessa kan vara livshotande.
 - Håll nya och använda batterier borta från barn.
 - Om batterifacket inte går att stänga ordentligt bör du sluta använda produkten och hålla den borta från barn.
 - Om du tror att batterier har svalts eller finns någonstans i kroppen ska du omedelbart söka läkarvård.
29. Varning om användning av batterier:
 - Explosionsrisk om batteriet byts ut på ett felaktigt sätt. Batteriet måste bytas mot samma eller en likvärdig typ.
 - Batteriet får inte utsättas för extremt höga eller låga temperaturer samt lågt lufttryck vid hög höjd, vid användning, förvaring eller transport.
 - Byte av ett batteri mot en felaktig typ kan medföra explosion eller läckage av brandfarlig vätska och/eller gas.
 - Avfallshantering av ett batteri på en öppen eld, i en varm ugn, mekanisk krossning eller kapning, kan medföra explosion.
 - Batteriet får inte lämnas i en miljö med extremt hög temperatur då detta kan medföra explosion eller läckage av brandfarlig vätska och/eller gas.
 - Batteriet får inte utsättas för extremt lågt lufttryck, då detta kan medföra explosion eller läckage av brandfarlig vätska och/eller gas.
 - Miljöaspekter måste iakttas vid avfallshantering av batterier.

MONTERING

- Packa upp alla delar och ta bort skyddsmaterialet.
- Enheten får inte anslutas till elnätet innan du kontrollerat nätspänningen och att alla andra anslutningar har utförts.

Tillbehör som medföljer:

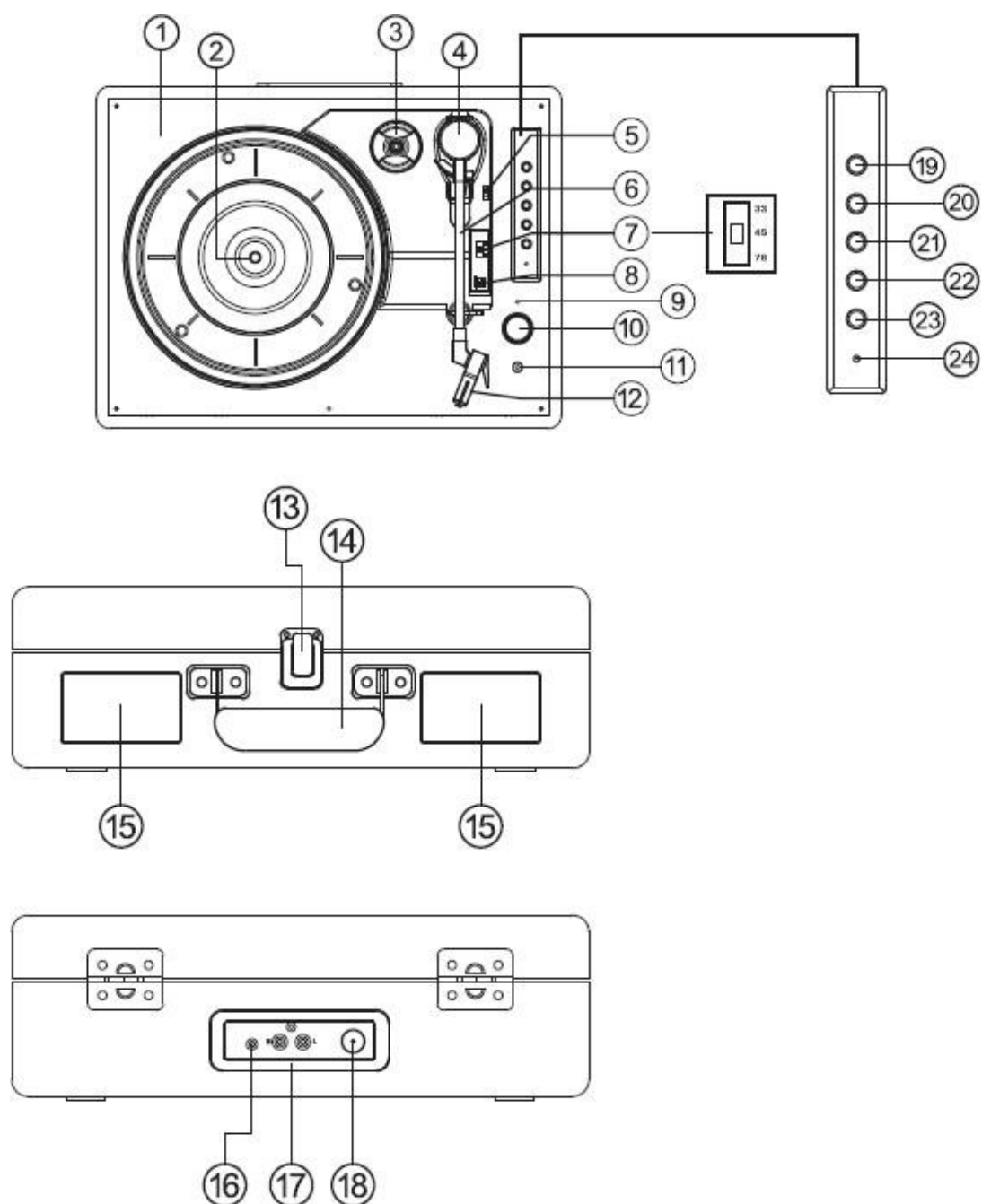
Bruksanvisning



Strömadapter



Kontrollernas placering



1. Skivspelarens tallrik
2. Spindel
3. Adapter för centerhål
4. Tonarm
5. Anläggningsspak
6. Tonarmsvagg

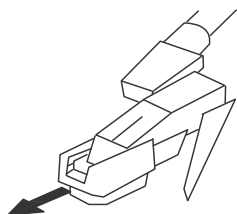
7. Skivspelaren varvtalsväljare
8. Omkopplare för automatiskt stopp
9. LED-statusindikator
10. Strömbrytare/volymkontroll
11. Uttag för hörlurar
12. Nål
13. Låsspärr
14. Bärhandtag
15. Högtalare
16. Aux in-uttag
17. Line out-kanal H/V
18. DC in-uttag
19. Parkoppla
20. Föregående spår
21. Nästa spår
22. Spela upp/paus
23. Läge
24. Lägesindikator

Läge

1. Tryck kort på "Mode (Läge)" för att välja uppspelningsläget.
2. Den blåa LED-indikatorn blinkar när Bluetooth parkopplas.
3. Den blåa LED-indikatorn lyser fast när Bluetooth är ansluten
4. Den röda LED-indikatorn lyser fast när enheten är i läget Skivspelare.
5. Den gröna LED-indikatorn lyser fast när enheten är i läget Aux in.

Använda skivspelaren

1. Placera skivspelarens fodral på en platt och plan yta.
2. Anslut nätadaptersn sladd till DC-uttaget på baksidan av fodralet och anslut nätadaptern till ett eluttag.
3. Se till att buntbandet tas bort från tonarmen vid första användning.
4. Ta bort nålskyddet och förvara det på en säker plats för framtida användning



5. Flytta varvtalsväljaren till varvtalet (33, 45 eller 78 rpm) som motsvarar skivan som ska spelas upp
6. Vrid på volymreglaget för att slå på skivspelaren. Lägesindikatorn lyser rött
7. Placera en skiva på skivspelarens spindel och frigör tonarmen
8. Använd anläggningsspaken för att lyfta tonarmen och flytta den till nålen är placerad precis innanför kanten på skivan, eller i linje med början av spåret som ska spelas upp.
9. Sänk armen långsamt. Efter en kort stund börjar skivan spelas upp
10. Vrid på volymreglaget för att justera volymen till önskad nivå
11. Skivspelaren stannar när slutet av skivan har nåtts
12. Använd spaken igen för att lyfta tonarmen (tallriken börjar rotera igen). Flytta tillbaka den till vaggan och sänk ned armen. Tallriken stannar
13. Fäst tonarmen med klämman och sätt tillbaka nålskyddet efter användning och alltid innan skivspelaren flyttas
14. Lyft tonarmen från skivan och vrid volymreglaget helt moturs för att, när som helst, stänga av skivspelaren.

Obs

Vissa skivor har större mitthål och kan behöva en centerhåladapter på skivspelarens axel innan skivan används. Sätt alltid tillbaka pickupskalet och säkra tonarmen med klämman innan skivspelaren flyttas.

Använda med en extern enhet

1. Extern analog ljudutrustning kan anslutas och förstärkas via skivspelaren.
2. Anslut den externa utrustningen med en 3,5 mm kabel (kabel ingår ej) till LINE IN-uttaget.
3. Tryck på uppspelningsknappen på den externa enheten och använd även kontrollerna på den som vanligt.
4. Volymen kan justeras med volymreglaget på skivspelaren eller kontrollerna på den anslutna externa enheten.
5. Vrid volymreglaget helt moturs för att när som helst stänga av enheten.

Använda hörlurar (ingår ej)

Ett uttag för stereohörlurar finns vilket låter skivspelaren användas utan att störa andra. Anslut hörlurarna vid det markerade uttaget nära volymreglaget och justera lyssningsvolymen till vald nivå. För högt ljudtryck från hörlurar kan orsaka hörselnedsättning. Skivspelarens högtalare fungerar inte medan hörlurar är anslutna.

Ansluta skivspelaren till externa högtalare

Vid anslutning av skivspelaren till externa högtalare (via en lämplig förstärkare)

Använd en dubbel phono till phono-kabel (ingår ej) för att ansluta RCA-utgångarna till ljudingången på förstärkaren. Garantera att röda kontakter ansluts till de röda uttagen och vita till vita.

Använda med en Bluetooth-enhet

Kontrollera att skivspelaren är i läget Bluetooth. Tryck kort på knappen Mode (Läge) till läget Bluetooth är aktiverat (den blåa LED-indikatorn lyser fast). Den börjar söka efter Bluetooth-enheter (den blåa LED-indikatorn blinkar under parkoppling).

I läget Bluetooth:

1. Enheten söker efter en Bluetooth-signal.
2. Aktivera Bluetooth på enheten (såsom en iPhone/iPad/Android/annan telefon/surfplatta/dator) och se till att den kan "discoverable (detekteras)".

Obs! Se, efter behov, instruktionerna för din enhet beträffande att lägga till eller konfigurera Bluetooth.

3. Välj "Add new device (Lägg till ny enhet)" efter behov.

Obs! Vissa produkter söker automatiskt efter en ny enhet och alternativet "Add new device (Lägg till ny enhet)" är inte tillgängligt.

4. När enheten hittas visas den som "Lenco TT-110". Välj och börja parkoppla.
5. När parkopplingen är slutförd visas "Bluetooth Connected (Bluetooth ansluten)".
6. Nu när du har parkopplat enheten med skivspelaren ansluts de medan de är inom räckhåll, vilket är maximalt cirka 10 meter (33 fot) eller mindre utan hinder.
7. Enheten förblir parkopplad med skivspelaren såvida du inte bestämmer dig för att koppla bort den eller "unpair".
8. Du kan trycka kort på "Pair (Parkoppla)" för att återansluta enheten.

Spela upp via Bluetooth

1. Tryck på "Back (Tillbaka)" på Bluetooth-enheten för föregående spår.
2. Tryck på "Next (Nästa)" på Bluetooth-enheten för nästa spår.
3. Tryck på "Play/pause (Spela upp/pausa)" för att spela upp eller pausa Bluetooth-enheten.

"Denna produkt har en funktion för **mottagning** av Bluetooth, **men det går inte att överföra något bluetooth-ljud med den**. Detta betyder att du trådlöst kan ta emot en bluetooth-ljudsignal från en extern källa som till exempel en smartphone."

BYTA UT NÅLEN

Se anvisningarna nedan för att byta ut nålen.

Ta bort nålen från pickupen

1. Placera en skruvmejsel på spetsen av nålen och tryck nedåt i riktningen som visas på bild "A".
2. Ta bort nålen genom att dra den framåt och trycka nedåt.

Montera nålen

1. Håll i spetsen på nålen och för in den genom att trycka såsom visas på bild "B".
2. Tryck nålen uppåt i den riktning som visas på bild "C" till den låses fast på plats.



EN	SE
Guide Pins (inside)	Styrstift (inuti)

OBS

Vi råder dig att rengöra skivor med en antistatisk trasa för att få ut maximal upplevelse från dem.

Vi rekommenderar, av samma orsak, att nålen bör bytas med jämna mellanrum (cirka varje 250 uppspelningstimmar).

TIPS FÖR BÄTTRE PRESTANDA FRÅN DIN SKIVSPELARE

1. Hantera skivspelarens lock försiktigt när det öppnas eller stängs. Lyft antingen i mitten eller på varje sida.
2. Rör inte vid nålspetsen med fingrarna. Undvik att stöta nålen mot tallriken eller kanten på skivan.
3. Rengör nålspetsen ofta – använd endast en mjuk borste i en linjär rörelse.
4. Om en nålrengöringsvätska måste användas ska den användas sparsamt.
5. Torka försiktigt av skivspelarens hölje med en mjuk trasa. Använd endast en liten mängd mildt diskmedel för att rengöra skivspelaren.
6. Använd aldrig starka kemikalier eller lösningsmedel på någon del av skivspelaren.

SPECIFIKATIONER

Typ	Remdrift
drivmotor	DC-motor
varvtal	33 1/3 rpm, 45 rpm, 78 rpm
wow och flutter (svaj)	< 0,35 %
Skivtallrik	200 mm
pickup	
Typ	keramisk pickup
Nål	0,7 mil
optimal spårningskraft	6 gram
utmatning	300–500 mV
frekvensåtergivning	+/- 20 dB
överhörning	10 db
signal till brus-	18 db

brusförhållande (S/N)	
Allmänt	
Adapter	Inmatning 100–240 VAC, 50/60 Hz, 0,3 A max.
	Utmatning 5 VDC/1 A
produkt	5 VDC / 1 A
ljudutmatning (line out)	300–500 mV
energiförbrukning	5 W

Strömadapter. Utmatning 5 VDC/1 A
 Inmatning 100–240 VAC, 50/60 Hz, 0,3 A max.

Parkopplingsnamn för Bluetooth: Lenco TT-110

Hörlursuttag: 3,5 mm
 Driftstemperatur: 0–40 °C
 Temperatur vid förvaring: -20–70 °C

På grund av ständiga förbättringar kan funktionerna och designen ändras utan föregående meddelande

Nätadapter (endast för EU)

Använd endast den strömförsörjning som anges i bruksanvisningen

Information	Värde och exakthet
Tillverkarens namn eller varumärke, kommersiellt registreringsnummer och adress	DongGuan Obelieve Electronic Co., Ltd Huazhaoxin Industrial park B-4/F, Golden phoenix industrial zone, Fenggan town, Dongguan city, Guangdong province, Kina
Modellbeteckning	OBL-0501000E
Inspänning	100–240 V
Ingående AC-frekvens	50/60 Hz
Utspänning	5 V
Utström	1 A
Uteffekt	5 W
Genomsnittlig verkningsgrad i aktivt läge	73,62
Effektförbrukning utan belastning	≤ 0,10

Garanti

Commaxx B.V. erbjuder service och garanti i enlighet med europeisk lagstiftning, vilket innebär att du vid fall av reparationer (både under och efter garantins giltighetsperiod) ska kontakta din lokala återförsäljare.

Viktig information: Det går inte att skicka produkter som behöver repareras direkt till Commaxx B.V.

Viktig information: Om enheten öppnas eller på något sätt tillgängliggörs av ett icke-officiellt servicecenter, upphör garantin att gälla.

Enheten är inte lämplig för professionellt bruk. Vid yrkesmässig användning, upphör tillverkarens samtliga garantier att gälla.

Friskrivningsklausul

Uppdateringar av inbyggd programvara och/eller hårdvarukomponenter görs regelbundet. Därmed kan vissa anvisningar, specifikationer och bilder i denna dokumentation skilja sig något från din faktiska situation. Alla delar som beskrivs i denna guide är endast avsedda som illustration och är eventuellt inte tillämpliga i specifika situationer. Bruksanvisningen ger inga juridiska rättigheter eller berättiganden.

Bortskaffande av gammal enhet



Symbolen markerar att den elektriska produkten eller batteriet inte får avfallshanteras tillsammans med allmänt hushållsavfall i Europa. För att garantera att produkten och batteriet avfallshanteras på ett korrekt sätt, ska elektrisk utrustning och batterier avfallshanteras i enlighet med alla tillämpliga lokala bestämmelser för avfallshantering av elektrisk utrustning och batterier. På så sätt bidrar du till att bevara naturresurser och förbättra standarderna för miljöskydd vid hantering och bortskaffande av elektriskt avfall (WEEE-direktivet för hantering av elektriskt och elektroniskt avfall).

FÖRSÄKRAN OM ÖVERENSSTÄMMELSE

Härmed intygar Commaxx att radioutrustningen av typen [Lenco TT-110] överensstämmer med direktiv 2014/53/EU. Den fullständiga texten gällande EU-försäkringen om överensstämmelse finns på följande internetadress:

https://commaxx-certificates.com/doc/tt-110_doc.pdf

RF-typ	Frekvensintervall (MHz)	Effekt (dBm)
Bluetooth	2402–2480	< 6



WARNING: För att förhindra eventuella hörselskador ska du inte lyssna på hög volym under långa perioder.

Service

Gå till www.lenco.com för mer information och hjälp från vår kundtjänst.

Commaxx B.V. Wiebachstraat 37, 6466 NG Kerkrade, The Netherlands.

HUOMIO:

Muiden kuin tässä oppaassa määritettyjen säätimien tai säätöjen käyttö tai muiden toimenpiteiden suorittaminen voi johtaa vaaralliseen säteilylle altistumiseen.

VAROTOIMET ENNEN KÄYTTÖÄ**PIDÄ NÄMÄ OHJEET MIELESSÄ:**

1. Älä peitä tai tuki mitään tuuletusaukkoja. Kun laitat laitteen hyllylle, jätä 5 cm vapaata tilaa laitteen ympärille.
2. Asenna mukana toimitetun käyttöoppaan mukaisesti.
3. Pidä laite etäällä lämmönlähteistä, kuten pattereista, lämmittimistä, uuneista, kynttilöistä ja muista lämpöä tuottavista tuotteista tai avotulesta. Laitetta voidaan käyttää vain lauhkeassa ilmastossa. Äärimmäisen kylmiä tai lämpimiä ympäristöjä tulee välttää. Käyttölämpötila-alue on 0–35 °C.
4. Vältä laitteen käyttämistä lähellä voimakkaita magneettikenttiä.
5. Sähköstaattinen purkaus voi häiritä laitteen normaalia käyttöä. Jos näin on, nollaa ja käynnistä laite yksinkertaisesti käyttöohjeen mukaisesti. Käsittele tiedostoja lähetyksen aikana varoen ja ympäristössä, jossa ei ole staattista sähköä.
6. Varoitus! Älä koskaan työnnä mitään esinettä tuotteeseen tuuletusaukkojen tai muiden aukkojen kautta. Korkea jännite virtaa tuotteen läpi ja esineen työntäminen sisälle voi aiheuttaa sähköiskun ja/tai oikosulun sisäosista. Samasta syystä älä kaada vettä tai nestettä tuotteen päälle.
7. Älä käytä märissä tai kosteissa tiloissa, kuten kylpyhuoneissa, höyryisissä keittiössä tai uima-altaiden lähellä.
8. Laitetta ei saa altistaa pisaroille tai roiskeille. Nesteitä sisältäviä esineitä, kuten maljakkoja, ei saa asettaa laitteen päälle tai sen lähelle.
9. Älä käytä tätä laitetta, jos kosteuden tiivistymistä voi tapahtua. Jos laitetta käytetään lämpimässä, kosteassa tilassa, vesipisaroita tai kondensaatiota voi esiintyä laitteen sisällä, eikä laite ehkä toimi oikein. Kytke laite pois päältä 1–2 tunniksi ennen kuin kytket virran uudelleen päälle: laitteen pitää olla kuiva ennen virran kytkemistä.
10. Vaikka tämä laite on valmistettu erittäin huolellisesti ja tarkistettu useita kertoja ennen tehtaalta toimittamista, on silti mahdollista, että ongelmia voi esiintyä, kuten kaikissa sähkölaitteissa. Jos huomaat savua, liiallista lämmön kertymistä tai muita odottamattomia ilmiöitä, irrota pistoke välittömästi pistorasiasta.
11. Tätä laitetta on käytettävä virtalähteellä, joka vastaa teknisiä tietoja. Jos et ole varma kodissasi käytettävästä virtalähteestä, ota yhteys jälleenmyyjään tai paikalliseen sähköyhtiöön.
12. Suojaa eläimiltä. Eläimet voivat pureskella virtajohtoja.
13. Käytä laitteen puhdistamiseen pehmeää, kuivaa liinaa. Älä käytä liuottimia tai bensiinipohjaisia tuotteita. Voimakkaiden tahrojen poistamiseksi voit käyttää laimeaan pesuaineeseen kostutettua liinaa.
14. Toimittaja ei ole vastuussa vahingoista tai kadonneista tiedoista, jotka johtuvat toimintahäiriöistä, väärinkäytöstä, laitteen muutoksista tai paristojen vaihdosta.
15. Älä katkaise yhteyttä, kun laite alustaa tai siirtää tiedostoja. Muussa tapauksessa tiedot voivat vioittua tai kadota.
16. Jos laitteessa on USB-toistotoiminto, USB-muistitikku on kytkettävä suoraan laitteeseen. Älä käytä USB-jatkojohtoa, koska se voi aiheuttaa häiriöitä ja johtaa tietojen menettämiseen.
17. Arvokilpi on merkitty laitteen pohjaan tai takapaneeliin.
18. Tätä laitetta ei ole tarkoitettu sellaisten henkilöiden (mukaan lukien lapset) käyttöön, joilla on fyysisiä, aistinvaraisia tai henkisiä häiriöitä tai joilla ei ole kokemusta tai tietoa, jollei heidän turvallisuudestaan vastaava henkilö valvo heitä tai ole antanut heille ohjeita laitteen käytöstä.
19. Tämä tuote on tarkoitettu yksityiskäyttöön, ei kaupalliseen tai teolliseen käyttöön.
20. Varmista, että yksikkö on säädetty vakaaseen asentoon. Takuu ei kata vahinkoja, jotka aiheutuvat tuotteen käytöstä epävakaassa asennossa, tärinästä tai iskuista tai tässä käyttöoppaassa olevien varoitusten tai varotoimien noudattamatta jättämisestä.
21. Älä koskaan poista laitteen koteloa.
22. Älä koskaan aseta laitetta muiden sähkölaitteiden päälle.
23. Pidä muovipussit poissa lasten ulottuvilta.
24. Käytä vain valmistajan määrittelemiä lisäosia/lisävarusteita.

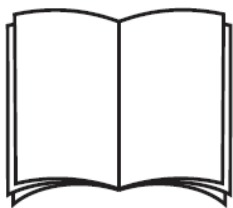
25. Jätä huolto pätevän huoltohenkilön suoritettavaksi. Huoltoa tarvitaan, kun laite on jotenkin vaurioitunut, esimerkiksi virtajohto tai pistoke on vaurioitunut, nestettä on roiskunut tai esineitä on pudonnut laitteeseen, laite on altistunut sateelle tai kosteudelle, se ei toimi normaalisti tai se on pudonnut.
26. Pitkäaikainen altistuminen musiikkisoittimien voimakkailla äänillä voi johtaa tilapäiseen tai pysyvään kuulonmenetykseen.
27. Jos tuotteen mukana tulee virtajohto ja vaihtovirtaverkkolaite:
- Jos ilmenee ongelmia, irrota vaihtovirtajohto ja ota yhteys pätevään henkilöstöön.
 - Älä astu verkkolaitteen päälle tai jätä sitä puristuksiin. Ole erittäin varovainen, erityisesti pistokkeiden ja kaapelin ulostulokohdan lähellä. Älä laita raskaita esineitä verkkolaitteen päälle, ne voivat vaurioittaa sitä. Pidä laite kokonaisuudessaan poissa lasten ulottuvilta! Virtajohdolla leikkiessään he voivat loukkaantua vakavasti.
 - Irrota laitteen virtajohto ukkosmyrskyn aikana tai kun sitä ei käytetä pitkään aikaan.
 - Pistorasian tulee sijaita lähellä laitetta ja siihen tulee päästä helposti käsiksi.
 - Älä ylikuormita pistorasioita tai jatkojohtoja. Ylikuormitus saattaa aiheuttaa tulipalon tai sähköiskun.
 - Luokan 1 mukaiset laitteet on kytkettävä suojamaadoitettuun pistorasiaan.
 - Luokan 2 mukaiset laitteet eivät vaadi maadoitettua liitäntää.
 - Pidä aina kiinni pistokkeesta, kun vedät sen irti pistorasiasta. Älä vedä virtajohdosta. Se voi aiheuttaa oikosulun.
 - Älä käytä vaurioitunutta virtajohtoa tai pistoketta tai löysää pistorasiaa. Ne saattavat aiheuttaa sähköiskun.
28. Jos tuote tai sen mukana tuleva kaukosäädin sisältää nappiparistoja:
Varoitus:
- ”Älä niele paristoja tai akkuja. Kemiallisen palovamman vaara” tai vastaava.
 - [Mukana toimitettu kauko-ohjain] Tämä tuote sisältää nappipariston. Jos nappiparisto niellään, se voi aiheuttaa vakavia sisäisiä palovammoja jo kahdessa tunnissa, ja voi johtaa kuolemaan.
 - Pidä sekä uudet että vanhat paristot ja akut poissa lasten ulottuvilta.
 - Jos paristolokero ei sulkeudu kunnolla, lopeta tuotteen käyttö ja pidä tuote poissa lasten ulottuvilta.
 - Jos epäilet, että paristoja tai akkuja on nieltä tai työnnetty johonkin kehon aukkoon, hakeudu välittömästi lääkäriin.
29. Huomio paristojen tai akkujen käytöstä:
- Räjähdyksenvaara, jos paristo tai akku asetetaan väärin. Vaihda vain samanlaiseen tai vastaavaan tyyppiseen.
 - Paristoa tai akkua ei saa altistaa korkeille tai matalille ääriämpötiloille tai matalalle ilmanpaineelle suurissa korkeuksissa käytön, varastoinnin tai kuljetuksen aikana.
 - Pariston tai akun vaihtaminen väärän tyyppiseen voi johtaa räjähdykseen tai syttyvän nesteen tai kaasun vuotamiseen.
 - Paristojen tai akkujen hävittäminen tuleen tai kuumaan uuniin tai paristojen tai akkujen mekaaninen murskaaminen tai leikkaaminen voi johtaa räjähdykseen.
 - Paristojen tai akkujen jättäminen erittäin kuumaan ympäristöön voi johtaa räjähdykseen tai syttyvän nesteen tai kaasun vuotamiseen.
 - Paristojen tai akkujen altistaminen erittäin matalalle ilmanpaineelle voi johtaa räjähdykseen tai syttyvän nesteen tai kaasun vuotamiseen.
 - Ympäristönsuojeluun liittyvät asiat on huomioitava paristojen ja akkujen hävittämisessä.

ASENTAMINEN

- Pura kaikki osat pakkauksesta ja poista suojamateriaalit.
- Älä yhdistä laitetta sähkövirtaan ennen kuin tarkistat jännitteen ja ennen kuin kaikki liitännät on tehty.

Mukana tulevat lisävarusteet:

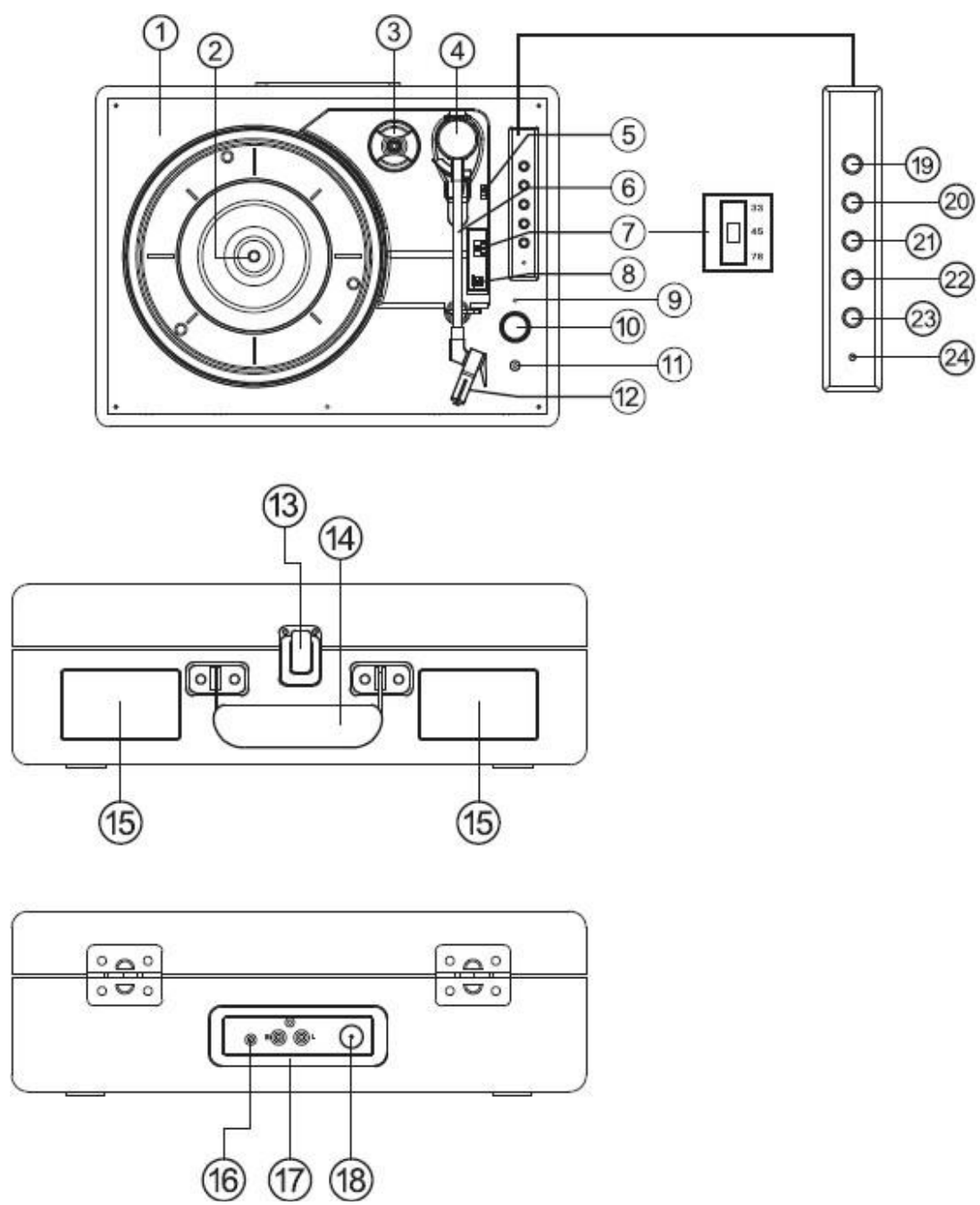
Käyttöopas



Verkkolaite



Säätimien sijainnit



1. Levysoittimen kansi
2. Levysoittimen keskitappi
3. Keskireiän sovitin
4. Äänivarsi
5. Nostovipu
6. Äänivarren pidin

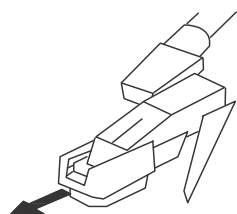
7. Levylautasen nopeusvalitsin
8. Automaattisen pysäytyksen säätökytkin
9. LED-tilan merkkivalo
10. Virtakytkin/äänenvoimakkuuden säädin
11. Kuulokeliitäntä
12. Neula
13. Lukitussalpa
14. Kantokahva
15. Kaiutin
16. Aux in -liitäntä
17. Linjalähtökanava O/V
18. DC in-liitin
19. Pariliitoksen muodostaminen
20. Edellinen kappale
21. Seuraava kappale
22. Toisto/tauko
23. Toimintatila
24. Tilan merkkivalo

Toimintatila

1. Valitse toistotila painamalla lyhyesti "Tila".
2. Sininen LED vilkkuu, kun Bluetooth muodostaa pariliitosta.
3. Sininen LED palaa, kun Bluetooth on yhdistetty
4. Punainen LED syttyy, kun se on levysoitintilassa.
5. Vihreä LED syttyy, kun se on Aux-tulotilassa.

Levysoittimen käyttö

1. Laita levysoitin tasaiselle pinnalle.
2. Liitä verkkolaitteen johto kotelon takana olevaan DC-liitäntään ja liitä verkkolaite pistorasiaan.
3. Varmista ensimmäisellä käyttökerralla, että kaapeliside on irrotettu äänivarresta.
4. Irrota neulan suojus ja säilytä se turvallisessa paikassa myöhempää käyttöä varten



5. Siirrä nopeudenvälitsin soitettavaa levyä vastaavaan nopeuteen (33,45 tai 78 rpm)
6. Kytke levysoitin päälle kääntämällä äänenvoimakkuusnuppia, tilan merkkivalo palaa punaisena
7. Aseta levy levysoittimen keskitappiin ja irrota äänivarsi
8. Nosta äänivarsi äänivarren nostovivulla ja siirrä sitä niin, että neula on juuri ja juuri levyn reunan sisäpuolella tai soitettavan kappaleen alun kohdalla.
9. Laske varsi hitaasti alas, lyhyen ajan kuluttua levy alkaa soida
10. Säädä äänenvoimakkuus halutulle tasolle kiertämällä äänenvoimakkuuden säätönuppia
11. Kun levyn loppu on saavutettu, levysoitin pysähtyy
12. Nosta äänivarsi uudelleen vivulla (levylautanen alkaa jälleen pyöriä), siirrä se takaisin pidikkeeseen ja laske se siihen. Levylautanen pysähtyy
13. Kiinnitä äänivarsi pidikkeeseen ja kiinnitä neulan suojus takaisin paikalleen käytön jälkeen ja aina ennen levysoittimen siirtämistä
14. Voit sammuttaa levysoittimen milloin tahansa nostamalla äänivarren levyn päältä ja kääntämällä äänenvoimakkuuden säädintä täysin vastapäivään.

Huomaa

Joissakin levyissä on suurempi keskireikä, ja voi olla tarpeen asentaa keskireiän sovitin levysoittimen keskitappiin ennen levyn asettamista levysoittimeen. Asenna neulan suojus aina takaisin paikalleen ja kiinnitä äänivarsi pidikkeeseen ennen levysoittimen siirtämistä.

Käyttö ulkoisten laitteiden kanssa

1. Ulkoisia analogisia äänilaitteita voidaan yhdistää levysoittimeen ja vahvistaa sen kautta.
2. Yhdistä ulkoinen laite 3,5 mm:n liitäntäjohdolla (johto ei mukana) LINJATULO-liitäntään.
3. Paina ulkoisen laitteen toistopainiketta ja käytä kappalesäätimiä tavalliseen tapaan ulkoisessa laitteessa.
4. Äänenvoimakkuutta voidaan säätää levysoittimen äänenvoimakkuuden säätimellä tai liitetyn ulkoisen laitteen säätimillä.
5. Voit kytkeä laitteen pois päältä milloin tahansa kääntämällä äänenvoimakkuuden säädintä täysin vastapäivään.

Kuulokkeiden (ei mukana) käyttö

Levysoittimessa on stereokuulokeliitäntä, jotta levysoitinta voi käyttää muita häiritsemättä. Liitä kuulokkeet äänenvoimakkuuden säätimen lähellä olevaan kuulokkeilla merkittyyn kohtaan ja säädä kuuntelun äänenvoimakkuus haluamallesi tasolle. Kuulokkeiden liiallinen äänenvoimakkuus voi aiheuttaa kuulon heikkenemistä. Levysoittimen kaiuttimet eivät toimi, kun kuulokkeet on liitetty.

Levysoittimen yhdistäminen ulkoiseen kaiuttimeen

Liitettäessä levysoitin ulkoiisiin kaiuttimiin (sopivan vahvistimen kautta)

Käytä kaksoisphono–kaksoisphono-johtoa (ei mukana) liittämään RCA-lähtöliittimet vahvistimen äänituloon.

Varmista, että punaiset liittimet on kytketty punaisiin liitäntöihin ja valkoiset valkoisiin.

Bluetooth-laitteen kanssa käyttö

Tarkista, että levysoitin on Bluetooth-tilassa. Jos et ole vielä Bluetooth-tilassa, paina lyhyesti Tila-painiketta, kunnes olet Bluetooth-tilassa (sininen LED-valo syttyy). Se alkaa etsiä Bluetooth-laitteita (sininen LED vilkkuu pariliitoksen muodostamisen aikana).

Bluetooth-tilassa:

1. Laitteesi etsii Bluetooth-yhteyttä.
2. Ota Bluetooth-yhteys käyttöön laitteessa (esim. iPhone/iPad/Android/muu puhelin/tabletti/tietokone) ja varmista, että laite on "etsittävässä".

Huomaa: Katso tarvittaessa laitteesi ohjeita Bluetoothin lisäämisestä tai määrittämisestä.

3. Valitse tarvittaessa "Add new device (Lisää uusi laite)".

Huomaa: Jotkin tuotteet etsivät automaattisesti uuden laitteen, jolloin "Add new device (Lisää uusi laite)" -vaihtoehto ei ole käytettävissä.

4. Kun laite on löytynyt, näytössä näkyy "Lenco TT-110". Valitse ja aloita pariliitos.
5. Kun pariliitos on valmis, näyttöön tulee "Bluetooth Connected (Bluetooth yhdistetty)".
6. Kun laitteesi on liitetty pariksi levysoittimen kanssa, se yhdistyy siihen aina ollessaan noin 10 metrin kantaman sisällä.
7. Laitteesi pysyy parina levysoittimen kanssa, ellet päättä katkaista yhteyttä tai "purkaa" pariliitosta.
8. Voit muodostaa yhteyden uudelleen painamalla lyhyesti "Pair (Pariliitos)".

Bluetooth-toisto

1. Toista Bluetooth-laitteen edellinen kappale painamalla "Back (Takaisin)".
2. Toista Bluetooth-laitteen seuraava kappale painamalla "Next (Seuraava)".
3. Toista tai keskeytä Bluetooth-laitteen toisto painamalla "Play/pause (Toisto/tauko)".

"Tässä tuotteessa on Bluetooth-vastaanotto toiminto, sillä ei voi lähettää Bluetooth-ääntä: tämä tarkoittaa, että voit vastaanottaa langattomasti Bluetooth-äänisignaalin ulkoisesta lähteestä, kuten älypuhelimesta."

NEULAN VAIHTAMINEN

Jos haluat vaihtaa neulan, katso alla olevat ohjeet.

Neulan poistaminen äänirasiasta

1. Aseta ruuvimeisseli neulan kärkeen ja paina alaspäin suuntaan "A", kuten kuvassa.
2. Poista neula vetämällä neulaa eteenpäin ja painamalla alaspäin.

Neulan asentaminen

1. Pidä kiinni neulan kärjestä ja aseta neula painamalla suuntaan "B", kuten kuvassa.

2. Työnnä neulaa ylöspäin suuntaan "C", kunnes se lukittuu kärkiasentoon.



EN	FI
Guide Pins (inside)	Ohjausnastat (sisällä)

HUOMAUTUKSET

Suosittellemme, että puhdistat levysi antistaattisella liinalla, jotta saat niistä maksimaalisen kuuntelunautinnon.

Haluamme myös huomauttaa, että samasta syystä neula tulisi vaihtaa säännöllisesti (noin 250 soittotunnin välein)

VINKKEJÄ LEVYSOITTIMEN PAREMPAAN TOIMIVUUTEEN

1. Kun avaat tai suljet levysoittimen kantta, käsittele sitä varovasti tarttumalla siihen joko keskeltä tai kummaltakin sivulta.
2. Älä kosketa neulan kärkeä sormillasi; vältä neulan törmäystä levysoittimen levylautaseen tai levyn reunaan.
3. Puhdista neulan kärki usein pehmeällä harjalla "edestakaisin" liikkein.
4. Jos joudut käyttämään neulan puhdistusnestettä, käytä sitä hyvin säästeliäästi.
5. Pyyhi levysoittimen kotelo varovasti pehmeällä liinalla. Käytä levysoittimen puhdistamiseen vain vähän mietoa pesuainetta.
6. Älä koskaan käytä voimakkaita kemikaaleja tai liuottimia mihinkään levysoitinjärjestelmän osaan.

TEKNISET TIEDOT

Tyyppi	Hihnaveto
käyttömoottori	DC-moottori
nopeus	33 1/3 rpm, 45 rpm, 78 rpm
huojunta ja värinä	< 0,35 %
levylautanen	200 mm
äänirasia	
Tyyppi	keraaminen äänirasia
Neula	0,7 mil

optimaalinen seurantavoima	6 grammaa
lähtö	300–500 mV
taajuusvaste	,+/-20dB
kanavien ylivuoto	10 dB
signaali/kohina-suhde (S/N)	18 dB
Yleistä	
Sovitin	Tulo AC 100–240 V, 50/60 Hz, 0,3 A maks. Lähtö DC 5 V 1 A
tuote	DC 5 V 1 A
äänilähtö (linjalähtö)	300–500 mV
virrankulutus	5W

Verkkolaite: Lähtö DC 5 V 1 A
Tulo AC 100–240 V, 50/60 Hz, 0,3 A maks.

Bluetooth-pariliitos: Lenco TT-110

Kuulokeliitäntä: 3,5 mm

Käyttölämpötila: 0 – 40 °C

Säilytyslämpötila: -20 – +70 °C

Jatkuvan parantamisen vuoksi ominaisuudet ja suunnittelu voivat muuttua ilman ennakoilmoitusta

Verkkolaitesovitin (vain EU)

Käytä vain käyttöohjeissa lueteltuja verkkolaitteita

Tieto	Arvo ja tarkkuus
Valmistajan nimi tai tavaramerkki, kaupparekisteri ja osoite	DongGuan Obelieve Electronic Co., Ltd Huazhaoxin Industrial park B-4/F, Golden phoenix industrial zone, Fenggan town, Dongguan city, Guangdong province, Kiina
Mallitunniste	OBL-0501000E
Syöttöjännite	100–240 V
AC-tulon taajuus	50/60 Hz
Lähtöjännite	5 V
Lähtövirta	1 A
Ulostuloteho	5 W
Aktiivitalan keskimääräinen hyötysuhde	73,62
Kuormittamattoman tilan tehonkulutus	≤ 0,10

Takuu

Commaxx B.V. tarjoaa huoltoa ja takuuta Euroopan lainsäädännön mukaisesti, mikä tarkoittaa sitä, että korjausasioissa (sekä takuuaikana että sen jälkeen) sinun tulee ottaa yhteyttä paikalliseen jälleenmyyjään.

Tärkeä huomautus: Korjausta vaativia tuotteita ei voi lähettää suoraan Commaxx B.V.:lle.

Tärkeä huomautus: Takuu raukeaa, jos jokin valtuuttamaton huoltoliike avaa tämän laitteen tai tekee sille toimenpiteitä.

Laitte ei sovellu ammattikäyttöön. Kaikki valmistajan antamat takuut evätään, jos laitetta käytetään ammattikäytössä.

Vastuuvapauslauseke

Laitteohjelmiston ja/tai laitteistokomponenttien päivityksiä tehdään säännöllisesti. Tästä syystä jotkin tämän oppaan ohjeista, teknisistä tiedoista ja kuvista eivät ehkä vastaa täysin omaa tilannettasi. Kaikki tämän oppaan kuvat ovat vain viitteellisiä, eivätkä ne välttämättä vastaa todellista tilannetta. Tämän käyttöoppaan kuvaukset eivät oikeuta laillisiin oikeuksiin tai vaateisiin.

Vanhan laitteen hävittäminen



Tämä symboli ilmaisee, että kyseistä sähkötuotetta, paristoa tai akkua ei saa hävittää muun kotitalousjätteen seassa Euroopan alueella. Varmistaaksesi tuotteen, pariston ja akun oikean jätteenkäsittelyn, hävitä ne sähkölaitteiden tai paristojen ja akkujen hävittämistä koskevien paikallisten lakien mukaisesti. Näin autat säästämään luonnonvaroja ja parantamaan ympäristönsuojelun tasoa sähköjätteiden käsittelyssä ja hävittämisessä (sähkö- ja elektroniikkalaiteromudirektiivi).

VAATIMUSTENMUKAISUUSVAKUUTUS

Commaxx ilmoittaa täten, että radiolaitetyyppi [Lenco TT-110] on direktiivin 2014/53/EU mukainen. EU:n vaatimustenmukaisuusilmoituksen koko teksti on luettavissa seuraavassa internet-osoitteessa:

https://commaxx-certificates.com/doc/tt-110_doc.pdf

RF-tyyppi	Taajuusalue (MHz)	Teho (dBm)
Bluetooth	2402–2480	< 6



VAROITUS: Älä kuuntele kovalla äänenvoimakkuudella pitkiä aikoja mahdollisten kuulovaurioiden välttämiseksi.

Huolto

Lisätietoa ja tukea saat osoitteesta www.lenco.com

Commaxx B.V. Wiebachstraat 37, 6466 NG Kerkrade, The Netherlands.

CUIDADO:

O uso de controlos ou ajustamentos ou a execução de procedimentos para além dos aqui mencionados podem resultar numa exposição perigosa a radiação.

PRECAUÇÕES ANTES DE USAR

TER ESTAS INSTRUÇÕES PRESENTES:

1. Não cobrir ou bloquear nenhuma abertura de ventilação. Quando colocar o dispositivo numa prateleira, deixar pelo menos 5 cm (2") de espaço livre à volta de todo o dispositivo.
2. Instalar conforme o manual do utilizador fornecido.
3. Manter o dispositivo afastado de fontes de calor, tais como radiadores, aquecedores, fogões, velas e outros produtos geradores de calor ou de chamas vivas. O dispositivo apenas pode ser utilizado em climas moderados. Ambientes extremamente frios ou quentes devem ser evitados. A temperatura de funcionamento é entre 0 e 35 °C.
4. Evitar usar o dispositivo perto de campos magnéticos fortes.
5. A descarga eletrostática pode perturbar o uso normal deste dispositivo. Nesse caso, basta iniciar o dispositivo seguindo as instruções no manual. Durante a transmissão de ficheiro, deve manusear com cuidado e utilizar num ambiente sem estática.
6. Advertência! Nunca introduzir um objeto no produto através dos orifícios ou aberturas. Passa pelo produto alta voltagem e a inserção de um objeto pode causar choque elétrico e/ou peças internas em curto-circuito. Pela mesma razão, não salpicar água ou líquidos sobre o produto.
7. Não use em zonas molhadas ou húmidas, como casas de banho, cozinhas com vapor ou perto de piscinas.
8. O dispositivo não deve ser exposto a pingos ou salpicos de água e assegurar que nenhuns objetos com líquidos, tais como jarras, são colocados por cima do aparelho.
9. Não usar este dispositivo quando puder ocorrer condensação. Quando a unidade é utilizada num espaço quente com humidade, podem ocorrer gotículas de água ou condensação no interior da unidade e esta poderá não funcionar corretamente; DESLIGUE a unidade durante 1 ou 2 horas antes de ligar a alimentação: a unidade deve estar seca antes de receber alimentação elétrica.
10. Embora este dispositivo seja fabricado com o máximo cuidado e verificado várias vezes antes de sair da fábrica, ainda é possível que ocorram problemas, como acontece com todos os aparelhos elétricos. Se notar fumo, uma acumulação excessiva de calor ou de quaisquer outros fenómenos inesperados, deve desligar imediatamente a ficha da tomada de corrente elétrica.
11. Este dispositivo deve funcionar numa fonte de alimentação como especificado na etiqueta de especificações. Se não tem a certeza do tipo de fonte de alimentação usada na sua casa, consultar o seu distribuidor ou a empresa de eletricidade local.
12. Manter afastado de animais. Alguns animais gostam de morder os cabos de alimentação.
13. Para limpar o dispositivo, usar um pano seco e macio. Não usar solventes ou fluidos à base de gasolina. Para remover manchas difíceis, pode usar um pano húmido com detergente diluído.
14. O fornecedor não é responsável por danos ou perda de dados causados por mau funcionamento, uso incorreto, modificação do dispositivo ou substituição da bateria.
15. Não interromper a ligação quando o dispositivo estiver a formatar ou a transferir ficheiros. Caso contrário, os dados podem ficar corrompidos ou perdidos.
16. Se a unidade tiver a função de reproduzir USB, a unidade de memória USB deve ser ligada diretamente na unidade. Não usar um cabo de extensão USB porque pode provocar interferências resultando em falha nos dados.
17. A etiqueta de classificação foi marcada na parte inferior ou no painel traseiro do dispositivo.
18. Este dispositivo não foi concebido para ser utilizado por pessoas (incluindo crianças) com capacidades físicas, sensoriais ou mentais reduzidas, ou com falta de experiência e conhecimentos, exceto se estiverem sob supervisão ou receberam instruções sobre a utilização correta do dispositivo por uma pessoa responsável pela segurança deles.
19. Este produto é destinado apenas para uso não profissional e não para uso comercial ou industrial.
20. Assegurar que a unidade está ajustada a uma posição estável. Os danos causados pela utilização deste produto numa posição instável, por vibrações ou choques, ou pelo não seguimento de qualquer aviso ou precaução contida neste manual do utilizador não estarão cobertos pela garantia.
21. Nunca retirar o invólucro deste dispositivo.

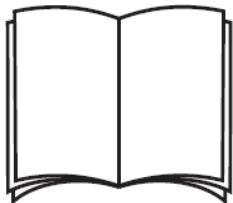
22. Nunca colocar este dispositivo sobre outro equipamento elétrico.
23. Não permitir que as crianças acedam aos sacos de plástico.
24. Usar apenas extensões/acessórios especificados pelo fabricante.
25. As reparações devem ser entregues a pessoal qualificado. A assistência técnica é necessária se o dispositivo tiver sido danificado de alguma forma, como o cabo de alimentação ou a ficha, se tiver sido derramado líquido ou se tiverem caído objetos para dentro do dispositivo, se o dispositivo tiver sido exposto à chuva ou à humidade, se não funcionar normalmente ou se tiver caído.
26. A exposição prolongada a sons altos de leitores de música pessoais pode levar à perda auditiva temporária ou permanente.
27. Se o produto for entregue com um cabo de alimentação ou um adaptador de alimentação de CA:
 - Se ocorrer qualquer problema, desligue o cabo de alimentação de CA e solicite uma manutenção por pessoal qualificado.
 - Não pisar ou pressionar o adaptador de alimentação. Ter muito cuidado, particularmente junto às fichas e pontos de saída do cabo. Não colocar itens pesados sobre o adaptador de alimentação, o que pode danificá-lo. Manter todo o dispositivo fora do alcance das crianças! Ao brincarem com o cabo de alimentação, podem ferir-se gravemente.
 - Retirar a ficha deste dispositivo durante trovoadas ou quando não for utilizado durante um longo período.
 - A tomada deve estar instalada perto do equipamento e deve ser facilmente acedida.
 - Não sobrecarregar as tomadas cc ou os cabos de extensão. A sobrecarga pode provocar incêndio ou choque elétrico.
 - Os dispositivos com construção classe 1 devem ser ligados a uma tomada elétrica com uma ligação à terra de proteção.
 - Os dispositivos com construção classe 2 não necessitam de uma ligação à terra.
 - Segurar sempre a ficha quando a retirar da tomada de corrente elétrica. Não puxar o cabo de alimentação. Isto pode provocar um curto-circuito.
 - Não utilizar um cabo de alimentação ou uma ficha com danos nem uma tomada elétrica solta. Fazer isso pode resultar em incêndio ou choque elétrico.
28. Se o produto contém ou for entregue com um telecomando com pilhas de relógio:
Advertência:
 - "Não ingerir a pilha, Perigo de queimadura química" ou equivalente.
 - [O telecomando fornecido com] Este produto contém uma pilha de célula tipo botão. Se a pilha for engolida, pode provocar queimaduras internas graves em apenas 2 horas e pode levar à morte.
 - Mantenha as pilhas novas e usadas fora do alcance das crianças.
 - Se o compartimento da pilha não fechar em segurança, pare de utilizar o produto e mantenha-o fora do alcance das crianças.
 - Se suspeitar de ingestão ou introdução de pilhas em qualquer parte do corpo, procure imediatamente ajuda médica.
29. Advertências sobre a utilização de pilhas:
 - Existe perigo de explosão se a pilha for substituída incorretamente. Substitua-a apenas pelo mesmo tipo ou outro equivalente.
 - A pilha não deve ser sujeita a temperaturas extremamente altas ou baixas, baixa pressão do ar a uma grande altitude durante a utilização, armazenamento ou transporte.
 - A substituição de uma pilha por um tipo incorreta que possa resultar em explosão ou fuga do líquido ou gás inflamável.
 - Eliminação de uma pilha no fogo ou forno quente, ou esmagamento ou corte mecânicos de uma pilha, que podem resultar em explosão.
 - Abandonar uma pilha num ambiente com uma temperatura extremamente elevada, que possa resultar em explosão ou fuga do líquido ou gás inflamável.
 - Uma pilha sujeita a pressão de ar extremamente baixa, que possa resultar em explosão ou fuga do líquido ou gás inflamável.
 - Deve ser dada a maior atenção aos aspetos ambientais da eliminação da bateria.

INSTALAÇÃO

- Desembalar todas as peças e retirar o material de proteção.
- Não ligar o aparelho à eletricidade antes de verificar a tensão elétrica e antes de serem efetuadas outras ligações.

Acessórios incluídos:

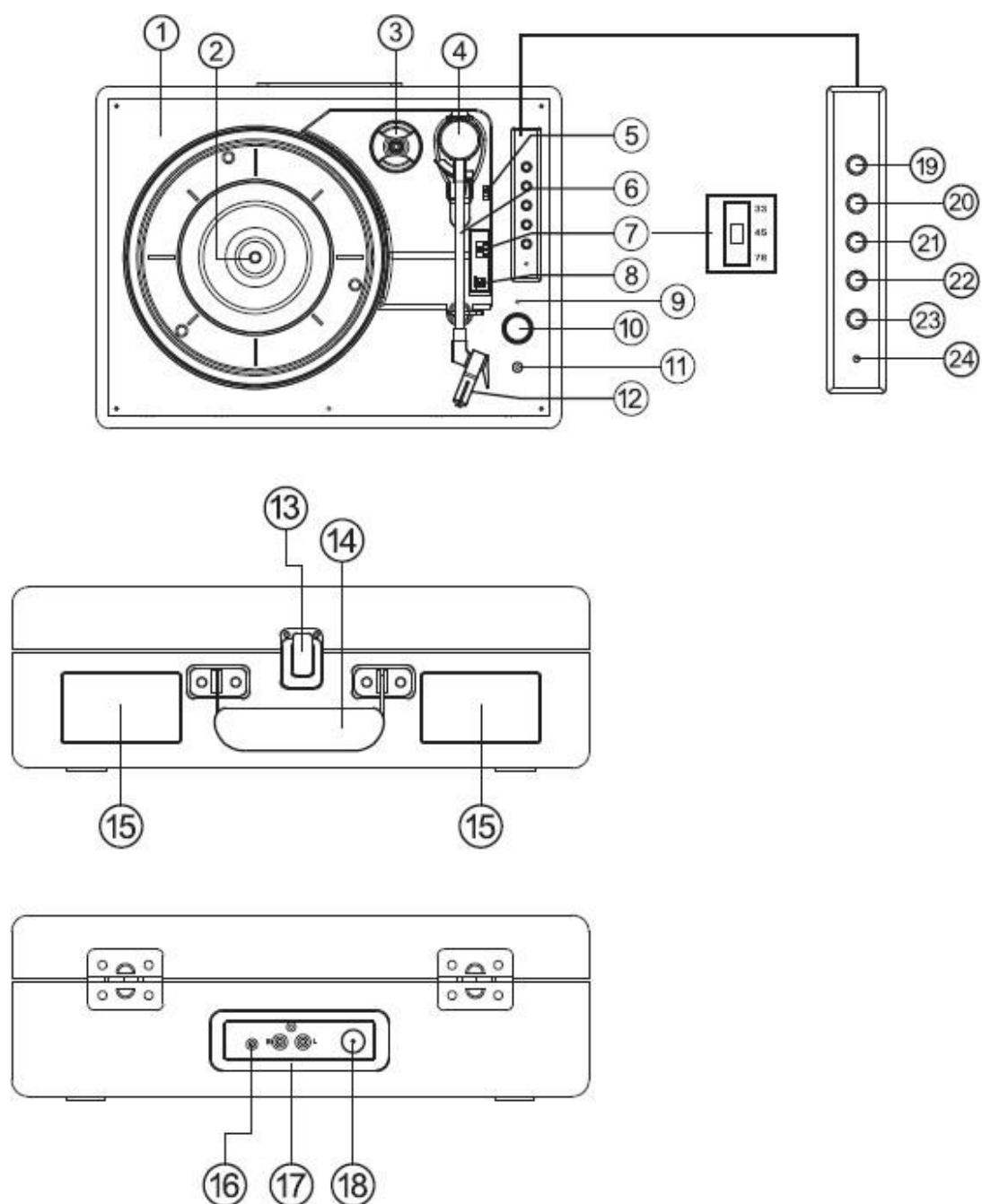
Manual do utilizador



Adaptador de alimentação



Localização dos controlos



1. Plataforma do gira-discos
2. Eixo do gira-discos
3. Adaptador do orifício central
4. Braço de leitura
5. Alavanca de comando
6. Clipe do braço de leitura

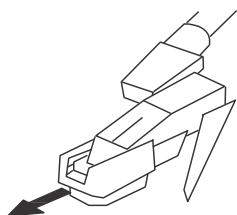
7. Seletor de velocidade do gira-discos
8. Interruptor de controlo de paragem automática
9. Indicador de estado LED
10. Interruptor de alimentação/controlo de volume
11. Tomada para auscultadores
12. Agulha
13. Fecho de segurança
14. Pega de transporte
15. Coluna
16. Tomada de entrada auxiliar
17. Canal de saída de linha D/E
18. Tomada de entrada CC
19. Emparelhar
20. Faixa anterior
21. Faixa seguinte
22. Reproduzir/pausar
23. Modo
24. Indicador de modo

Modo

1. Prima rapidamente "Modo" para seleccionar o modo de reprodução.
2. O LED azul fica intermitente quando o Bluetooth está a ser emparelhado.
3. O LED azul acende-se quando o Bluetooth é ligado.
4. O LED vermelho acende-se quando está no modo de gira-discos.
5. O LED verde acende-se quando está no modo Aux.

Utilizar o gira-discos

1. Coloque a caixa do gira-discos numa superfície plana e nivelada.
2. Insira o cabo do adaptador na tomada CC na parte de trás da caixa e ligue o adaptador à tomada de alimentação elétrica.
3. Na primeira utilização, certifique-se de que a braçadeira do cabo é retirada do braço do leitor.
4. Retire a tampa da agulha e guarde-a num local seguro para utilização futura.



5. Coloque o seletor de velocidade na velocidade (33, 45 ou 78 rpm) correspondente ao disco a ser reproduzido.
6. Rode o botão "Volume" para ligar o gira-discos e o indicador de modo acende-se a vermelho.
7. Coloque um disco no eixo do gira-discos e solte o braço de leitura.
8. Utilize a alavanca de comando para levantar o braço de leitura e mova o braço de modo a que a agulha fique posicionada no interior da margem do disco ou alinhada com o início da faixa a ser reproduzida.
9. Baixe lentamente o braço e, após um curto intervalo, o disco começará a tocar.
10. Ajuste o volume para o nível desejado, rodando o botão de controlo do volume.
11. Quando chegar ao fim do disco, o gira-discos pára.
12. Utilize novamente a alavanca para levantar o braço de leitura (o prato começará a girar novamente), mova-o de volta para o clipe e baixe-o para o suporte. O prato irá parar.
13. Fixe o braço de leitura com o clipe e volte a colocar a tampa da agulha após a utilização e sempre antes de movimentar o gira-discos.
14. Para desligar o gira-discos em qualquer altura, levante o braço de leitura do disco e rode o botão de volume totalmente no sentido contrário ao dos ponteiros do relógio.

Nota

Alguns discos têm um orifício central maior e pode ser necessário encaixar o adaptador do orifício central no eixo do gira-discos antes de colocar o disco no gira-discos. Volte sempre a colocar a tampa da agulha e fixe o braço do gira-discos com o clipe antes de mover o gira-discos.

Utilizar com o dispositivo auxiliar

1. O equipamento áudio analógico auxiliar pode ser ligado e amplificado através do gira-discos.
2. Ligue o equipamento auxiliar utilizando um cabo de 3,5 mm (cabo não incluído) à tomada de entrada auxiliar.
3. Prima o botão de reprodução no equipamento auxiliar e utilize os controlos de faixa como habitualmente no dispositivo auxiliar.
4. O volume pode ser ajustado utilizando o botão de volume no gira-discos ou os controlos no dispositivo auxiliar ligado.
5. Para desligar a unidade em qualquer altura, rode o botão de volume totalmente no sentido contrário ao dos ponteiros do relógio.

Utilizar auscultadores (não incluídos)

É fornecida uma tomada para auscultadores estéreo para que o gira-discos possa ser utilizado sem incomodar terceiros. Ligue os auscultadores no ponto assinalado com "auscultador" junto ao botão de volume e ajuste o volume de audição para o nível pretendido. A pressão sonora excessiva dos auriculares e auscultadores pode provocar a perda de audição. Os altifalantes do gira-discos não funcionam quando os auscultadores estão colocados.

Ligar o gira-discos a um altifalante externo

Para ligar o gira-discos a altifalantes externos (através de um amplificador adequado)

Utilize um cabo fono duplo para fono duplo (não incluído) para ligar as tomadas de saída RCA à entrada de áudio do amplificador. Certifique-se de que as fichas vermelhas estão inseridas nas tomadas vermelhas e as brancas nas brancas.

Utilizar com um dispositivo Bluetooth

Verifique se o seu gira-discos está no modo Bluetooth. Se ainda não estiver no modo Bluetooth, prima rapidamente o botão "Modo" até entrar no modo Bluetooth (o LED azul acende-se). Começará a procurar dispositivos Bluetooth (o LED azul pisca durante o emparelhamento).

No modo Bluetooth:

1. O seu dispositivo irá procurar dispositivos Bluetooth.
2. No dispositivo (por exemplo, iPhone/iPad/Android/outro telemóvel/Tablet/Computador), ligue a conectividade Bluetooth e certifique-se de que está "detetável".

Nota: Se necessário, consulte as instruções do seu dispositivo para adicionar ou configurar o Bluetooth.

3. Selecione "Add new device" (Adicionar novo dispositivo), se necessário.

Nota: Alguns produtos procuram automaticamente um novo dispositivo, pelo que a opção "Add new device" (Adicionar novo dispositivo) não está disponível.

4. Quando encontrado, o seu dispositivo será apresentado como "Lenco TT-110". Selecione e inicie o emparelhamento.
5. Quando o emparelhamento estiver concluído, será apresentado "Bluetooth Connected" (Bluetooth ligado).
6. Agora que emparelhou o seu dispositivo com o gira-discos, este ligar-se-á ao mesmo quando estiver dentro do alcance, que é de cerca de 10 metros ou menos, linha de visão.
7. O seu dispositivo permanece emparelhado com o gira-discos a não ser que decida desligar ou desemparelhá-lo.
8. Pode premir rapidamente "Emparelhar" para voltar a ligar.

Reprodução de Bluetooth

1. Prima "Anterior" para a faixa anterior do seu dispositivo Bluetooth.
2. Prima "Seguinte" para a faixa seguinte do seu dispositivo Bluetooth.
3. Prima "Reproduzir/pausar" para reproduzir ou colocar em pausa o seu dispositivo Bluetooth.

"Este produto tem uma função de **recepção** bluetooth, **não é possível transmitir qualquer som bluetooth com o mesmo**: isto significa que pode receber sem fios um sinal de som bluetooth de uma fonte externa como um smartphone."

COMO SUBSTITUIR A AGULHA

Para substituir a agulha, consulte as instruções abaixo.

Retire a agulha do cartucho.

1. Coloque uma chave de fendas na ponta do estilete e empurre para baixo, como indicado na direção "A".

2. Retire o estilete puxando-o para a frente e empurrando-o para baixo.

Instalar o estilete

1. Segure a ponta do estilete e insira a estilete pressionando-o como indicado na direção "B".
2. Empurre o estilete para cima, como na direção "C", até que fique bloqueado na posição da ponta.



EN	PT
Guide Pins (inside)	Pinos de guia (interior)

NOTAS

Aconselhamo-lo a limpar os seus discos com um pano anti-estático para tirar o máximo partido dos mesmos. Gostaríamos também de salientar que, pela mesma razão, o seu estilete deve ser substituído periodicamente (aproximadamente a cada 250 horas de reprodução).

DICAS PARA UM MELHOR DESEMPENHO DO GIRA-DISCOS

1. Ao abrir ou fechar a tampa do gira-discos, manuseie-a com cuidado, segurando-a no centro ou de cada lado.
2. Não toque na ponta da agulha com os dedos; evite bater com a agulha no prato do gira-discos ou na borda do disco.
3. Limpe frequentemente a ponta da agulha - utilize uma escova macia num movimento "de trás para a frente" apenas.
4. Se for necessário utilizar um líquido de limpeza de agulhas, utilize-o com muita moderação.
5. Limpe suavemente a caixa do gira-discos com um pano macio. Utilize apenas uma pequena quantidade de detergente suave para limpar o gira-discos.
6. Nunca aplique produtos químicos ou solventes agressivos em qualquer parte do sistema do gira-discos.

ESPECIFICAÇÕES

Tipo	Correia de transmissão
Motor	Motor CC
velocidade	33 1/3 rpm, 45 rpm, 78 rpm
uau e vibração	< 0,35%
prato do gira-discos	200 mm
cartucho	
Tipo	cartucho cerâmico
Agulha	0,7 mil
força de rastreo ótima	6 gram
saída	300-500 mv
resposta de frequência	,+/-20dB
diafonia	10 db
rácio sinal/ruído (S/N)	18 db
Geral	
Adaptador	Entrada CA 100-240 V, 50/60 Hz, 0,3 A máx.
	Saída 5 V CC 1A
produto	5 V CC 1A
saída de áudio (saída de linha)	300-500 mv
consumo de energia	5 W

Adaptador de alimentação.

Saída 5 V CC 1A

Entrada CA 100-240 V, 50/60 Hz, 0,3 A máx.

Nome de emparelhamento Bluetooth:

Lenco TT-110

Ficha de auscultador:

3,5 mm

Temperatura de funcionamento:

0 °C-40 °C

Temperatura de armazenamento:

-20 °C-70 °C

Devido a melhorias contínuas, as funcionalidades e o design estão sujeitos a alterações sem aviso prévio

Adaptador de alimentação elétrica (apenas para a UE)

Utilize apenas a fonte de alimentação indicada nas instruções de utilização.

Informações	Valor e precisão
Nome ou marca do fabricante, registo comercial e endereço	DongGuan Obelieve Electronic Co., Ltd Huazhaoxin Industrial park B-4/F, Golden phoenix industrial zone, Fenggan town, Dongguan city, Guangdong province, China
Identificador do modelo	OBL-0501000E
Tensão de entrada	100-240 V
Frequência de entrada CA	50/60 Hz
Tensão de saída	5 V
Corrente de saída	1 A
Potência de saída	5 W
Eficiência ativa média	73,62
Consumo de energia sem carga	≤ 0,10

Garantia

A Commaxx B.V. oferece serviços e garantia de acordo com a lei europeia, o que significa que, em caso de reparações (durante e após o período da garantia) deve contactar o seu fornecedor local.

Nota importante: Não é possível enviar diretamente para a Commaxx B.V. produtos que precisem de reparação.

Nota importante: Se esta unidade for aberta ou acedida de qualquer forma por um centro de assistência não oficial, a garantia expira.

Este dispositivo não é destinado para uso profissional. Em caso de uso profissional, todas as obrigações do fabricante serão nulas.

Declinação de responsabilidade

São feitas regularmente atualizações do Firmware e/ou componentes do hardware. Portanto, algumas das instruções, especificações e imagens nesta documentação podem diferir ligeiramente da sua situação particular. Todos os itens descritos neste guia apenas para fins ilustrativos e podem não se aplicar a situações específicas. Nenhum direito legal ou prerrogativas podem ser obtidos a partir da descrição feita neste manual.

Eliminação do dispositivo usado



Este símbolo indica que o produto elétrico ou bateria relevante não deve ser eliminado como lixo doméstico geral na Europa. Para garantir o tratamento correto do produto e da bateria, eliminá-los de acordo com as leis locais aplicáveis de eliminação de equipamentos elétricos ou baterias. Ao fazer isso, ajudará a conservar os recursos naturais e a melhorar os padrões de proteção ambiental no tratamento e eliminação de resíduos elétricos (Diretiva de Resíduos de Equipamentos Elétricos e Eletrónicos).

DECLARAÇÃO DE CONFORMIDADE

Pelo presente, a Commaxx declara que o tipo de equipamento de rádio [Lenco TT-110] está em conformidade com a Diretiva 2014/53/UE. O texto completo da declaração de conformidade da UE está disponível no seguinte endereço de Internet:

https://commaxx-certificates.com/doc/tt-110_doc.pdf

Tipo de RF	Gama de frequências (MHz)	Potência (dBm)
Bluetooth	2402-2480	< 6



ADVERTÊNCIA: Para evitar possíveis danos auditivos, não ouça em níveis de volume elevados durante longos períodos de tempo.

Assistência

Para mais informações e assistência técnica, vá a www.lenco.com

Commaxx B.V. Wiebachstraat 37, 6466 NG Kerkrade, The Netherlands.