

## Model: PDR-065



User Manual	EASY DAB+/FM radio with battery charging station
Gebruikshandleiding	EASY DAB+/FM-radio met oplaadstation voor batterijen
Bedienungsanleitung	EINFACHES DAB+/-/ UKW-Radio mit Akkuladestation
Guide d'utilisation	Radio DAB+/FM simple avec station de chargement
Manual del usuario	Radio sencilla DAB+/FM con estación de carga de baterías
Brugervejledning	EASY DAB+/FM-radio med batteriopladningsstation
Bruksanvisning	ENKEL DAB+/FM-radio med batteriladningsstation

## Index

English .....	3
Nederlands .....	17
Deutsch.....	31
Français.....	47
Español .....	62
Dansk/Norsk .....	77
Svenska .....	91

**CAUTION:**

Usage of controls or adjustments or performance of procedures other than those specified herein may result in hazardous radiation exposure.

**PRECAUTIONS BEFORE USE**

---

**KEEP THESE INSTRUCTIONS IN MIND:**

1. Do not cover or block any ventilation openings. When placing the device on a shelf, leave 5 cm (2") free space around the whole device.
2. Install in accordance with the supplied user manual.
3. Keep the device away from heat sources such as radiators, heaters, stoves, candles and other heat-generating products or naked flame. The device can only be used in moderate climates. Extremely cold or warm environments should be avoided. Working temperature between 0° and 35°C.
4. Avoid using the device near strong magnetic fields.
5. Electrostatic discharge can disturb normal usage of this device. If so, simply reset and restart the device following the instruction manual. During file transmission, please handle with care and operate in a static-free environment.
6. Warning! Never insert an object into the product through the vents or openings. High voltage flows through the product and inserting an object can cause electric shock and/or short circuit internal parts. For the same reason, do not spill water or liquid on the product.
7. Do not use in wet or moist areas such as bathrooms, steamy kitchens or near swimming pools.
8. The device shall not be exposed to dripping or splashing and make sure that no objects filled with liquids, such as vases, are placed on or near the apparatus.
9. Do not use this device when condensation may occur. When the unit is used in a warm wet room with damp, water droplets or condensation may occur inside the unit and the unit may not function properly; let the unit stand in power OFF for 1 or 2 hours before turning on the power: the unit should be dry before getting any power.
10. Although this device is manufactured with the utmost care and checked several times before leaving the factory, it is still possible that problems may occur, as with all electrical appliances. If you notice smoke, an excessive build-up of heat or any other unexpected phenomena, you should disconnect the plug from the main power socket immediately.
11. This device must operate on a power source as specified on the specification label. If you are not sure of the type of power supply used in your home, consult your dealer or local power company.
12. Keep away from animals. Some animals enjoy biting on power cords.
13. To clean the device, use a soft dry cloth. Do not use solvents or petrol based fluids. To remove severe stains, you may use a damp cloth with dilute detergent.
14. The supplier is not responsible for damage or lost data caused by malfunction, misuse, modification of the device or battery replacement.
15. Do not interrupt the connection when the device is formatting or transferring files. Otherwise, data may be corrupted or lost.
16. If the unit has USB playback function, the USB memory stick should be plugged into the unit directly. Don't use an USB extension cable because it can cause interference resulting in failing of data.
17. The rating label has been marked on the bottom or back panel of the device.
18. This device is not intended for use by people (including children) with physical, sensory or mental disabilities, or a lack of experience and knowledge, unless they're under supervision or have received instructions about the correct use of the device by the person who is responsible for their safety.
19. This product is intended for non professional use only and not for commercial or industrial use.
20. Make sure the unit is adjusted to a stable position. Damage caused by using this product in an unstable position vibrations or shocks or by failure to follow any other warning or precaution contained within this user manual will not be covered by warranty.
21. Never remove the casing of this device.
22. Never place this device on other electrical equipment.
23. Do not allow children access to plastic bags.
24. Only use attachments/accessories specified by the manufacturer.
25. Refer all servicing to qualified service personnel. Servicing is required when the device has been damaged in any way, such as the power supply cord or the plug, when liquid has been spilled or objects have fallen into the device, when the device has been exposed to rain or moisture, does not operate normally, or has been dropped.
26. Long exposure to loud sounds from personal music players may lead to temporary or permanent hearing loss.

27. If the product is delivered with power cable or AC power adaptor:
- If any trouble occur, disconnect the AC power cord and refer servicing to qualified personnel.
  - Don't step on or pinch the power adaptor. Be very careful, particularly near the plugs and the cable's exit point. Do not place heavy items on the power adaptor, which may damage it. Keep the entire device out of children's reach! When playing with the power cable, they can seriously injure themselves.
  - Unplug this device during lightning storms or when unused for a long period.
  - The socket outlet must be installed near the equipment and must be easily accessible.
  - Do not overload ac outlets or extension cords. Overloading can cause fire or electric shock.
  - Devices with class 1 construction should be connected to a main socket outlet with a protective earthed connection.
  - Devices with class 2 construction do not require an earthed connection.
  - Always hold the plug when pulling it out of the main supply socket. Do not pull the power cord. This can cause a short circuit.
  - Do not use a damaged power cord or plug or a loose outlet. Doing so may result in fire or electric shock.
28. If the product contains or is delivered with a remote control containing coin/cell batteries:
- Warning:
- "Do not ingest battery, Chemical Burn Hazard" or equivalent working.
  - [The remote control supplied with] This product contains a coin/button cell battery. If the battery is swallowed, it can cause severe internal burns in just 2 hours and can lead to death.
  - Keep new and used batteries away from children.
  - If the battery compartment does not close securely, stop using the product and keep it away from children.
  - If you think batteries might have been swallowed or placed inside any part of the body, seek immediate medical attention.
29. Caution about the use of Batteries:
- Danger of explosion if battery is incorrectly replaced. Replace only with the same or equivalent type.
  - Battery cannot be subjected to high or low extreme temperatures, low air pressure at high altitude during use, storage or transportation.
  - Replacement of a battery with an incorrect type that can result in an explosion or the leakage of flammable liquid or gas.
  - Disposal of a battery into fire or a hot oven, or mechanically crushing or cutting of a battery, that can result in an explosion.
  - Leaving a battery in an extremely high temperature surrounding environment that can result in an explosion or that leakage of flammable liquid or gas.
  - A battery subjected to extremely low air pressure that may result in an explosion or the leakage of flammable liquid or gas.
  - Attention should be drawn to the environmental aspects of battery disposal.

#### **INSTALLATION**

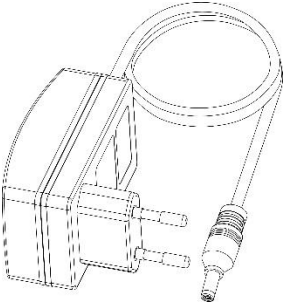
- Unpack all parts and remove protective material.
- Do not connect the unit to the mains before checking the mains voltage and before all other connections have been made.

**Accessories**

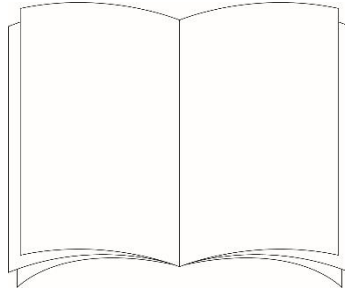
- Remote Control



- Power Adapter

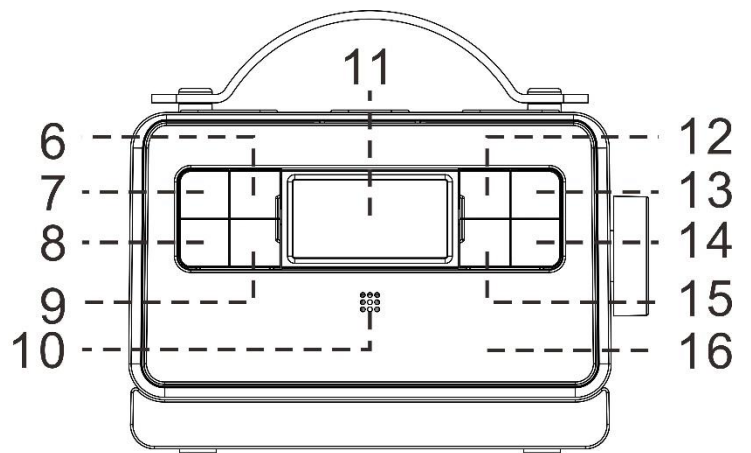
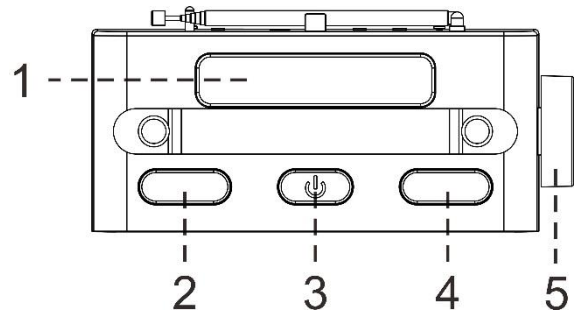


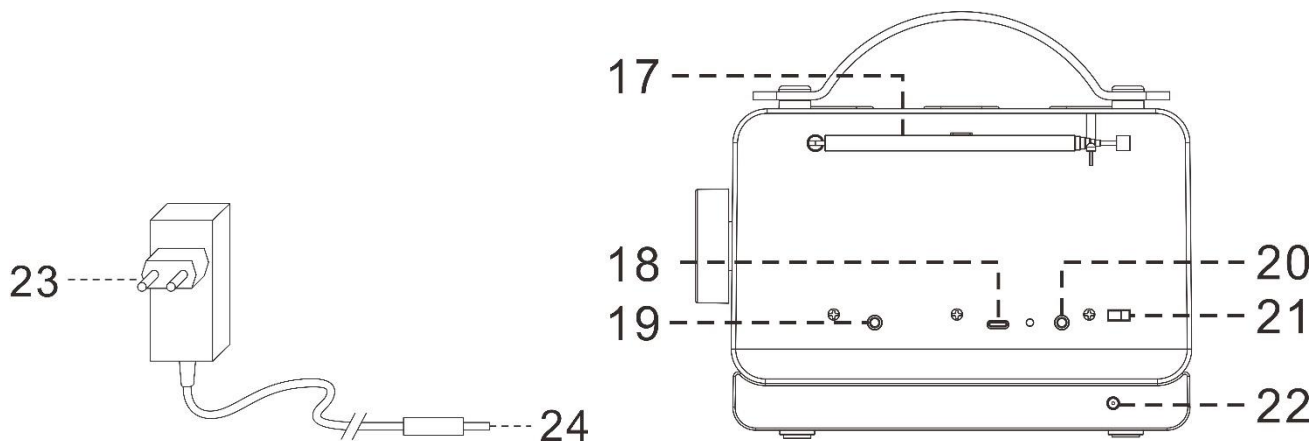
- User manual



**LOCATION OF CONTROL**

- 1) Remote / Mobile Holder
- 2) Menu / Snooze button
- 3) On/Off button
- 4) Tune + / - button
- 5) Volume knob
- 6) Scan button
- 7) Mode button
- 8) Enter button
- 9) Info button
- 10) Remote control sensor
- 11) LCD display
- 12) Preset station nr. 1 button
- 13) Preset station nr. 2 button
- 14) Preset station nr. 3 button
- 15) Preset station nr. 4 button
- 16) Speaker
- 17) FM antenna
- 18) Type C socket
- 19) 3.5mm headphone jack
- 20) Line out socket
- 21) Easy-Normal mode switch
- 22) DC jack of the charger docking station
- 23) AC/DC adaptor
- 24) DC plug





**Caution:**

Use of controls or procedures other than those specified herein may result in hazardous radiation exposure. This unit should not be adjusted or repaired by anyone except qualified service personnel.

**Important:**

Since the sensitive circuitry may cause interference to a radio tuner nearby, switch this unit off while operating other radio devices.

**Due to the complexity of the MCU control, please un-plug the main power supply of the unit if the unit stops during operation! This is not a malfunction of the system!**

**Precautions for use**

---

**Installation**

1. Unpack all parts and remove protective material.
2. Do not connect the unit to the mains before checking the main voltage and before all other connections have been made.
3. Do not cover any vents and make sure that there is a space of several centimeters around the unit for ventilation.

**Connection**

---

1. Insert the DC plug (24.) to the DC jack (22.) of the charger docking station, then connect the AC/DC adaptor (23.) to AC outlet.
2. Put the main unit on the charger docking station for charging.
3. Turn on the unit by pressing the On/Off button (3.), if the LCD display is on with text, it means the power supply is normal. Now your system is ready to play the music.
- 4.

**Remarks:**

1. To save the battery life of the built-in rechargeable battery, the unit will turn off after power off if dis-connected with the charger station. And the remote cannot be used to power on the unit if the unit is dis-connected with the charger station. Press the On/Off button (3.) of the main unit to switch on the unit in this condition.
2. It is recommended to connect the unit to the charger station for home use. So that the unit can stay at Standby mode after turn off the unit and can use the remote control to

## Setting the Time & Date

The clock will synchronize to RDS/DAB clock once receiving the RDS/DAB signal if the clock was not set in advance.

Follow the below steps to set the time and date manually.

1. Turn on the unit by pressing the On/Off button (3.), then press the Mode button (7.) to select FM or DAB mode.
2. Press the Menu button (2.) and press Tune + / - (4) button to select <System>, press Enter button (8.) to confirm.
3. The display will show <Time>, press Enter button (8.) to enter.
4. The display will show <Set time/Date>, press Enter button (8.) to enter.
5. Set the hour and minutes by pressing Tune + / - (4) button and press the Enter button (8.) to confirm.
6. The display will change to "Set date 1-1-2020". Then set the day / month / year by pressing Tune + / - (4) button and press the Enter button (8.) to confirm.
7. The display will show <Time saved> meaning the time and date has been stored successfully.
8. Under the <System> <Time> setting, you can also set the hour / date format.  
Please follow the below breakdown of the menu for operation.  
Pressing Tune + / - (4) button to select and press the Enter button (8.) to enter/confirm.  
Press Menu button (2.) again to quite the setting.

<System>	<Time>	<Set time/Date>	Follow the instruction "Setting the Time & Date"
		<Auto update>	Update from Any (The system will automatically update the time and date once receiving the RDS/DAB signal)
			Update from DAB (The system will automatically update the time and date once receiving the DAB signal)
			Update from FM (The system will automatically update the time and date once receiving the RDS signal)
			No update (If you prefer to set the time and date manually, please select this setting)
	<Set 12/24 hour>	Set 24 hour	
		Set 12 hour	
	<Set date format>	DD-MM-YYYY	
		MM-DD-YYYY	

- **The preset time will be reset completely if disconnecting the main power supply. You are recommended to switch the system into standby mode for convenient use.**

## Listening to radio

### FM Operation

#### Manual tuning

1. Turn on the unit by pressing On/Off button (3.), then press the Mode button (7.) to select FM mode.
2. Press the Tune + / - (4) button to tune your desired station.
3. Rotate volume up/down knob (5.) for the desired volume level.

#### Auto tuning

1. Press and hold the Tune + / - (4) button for a while then release the button. Unit will start to scan at up or down direction until radio station received.
2. Rotate volume up/down knob (5.) for the desired volume level.

**Hints for reception:-**

Extend the tele-scopic antenna for best reception.

**FM scan setting**

After auto tuning if too many unwanted weak radio stations are received, you can select strong stations only by filtering out the weaker **signals**.

1. In FM mode, press Menu button (2.) and the display will show <Scan setting>, then press Enter button (8.).
2. Press Tune + / - (4) button to select "Strong station only". Then press Okay/Enter button (8.) to confirm the setting.
3. Perform the auto tuning operation again as above.

**FM Mono & FM-stereo reception**

By default, all stereo stations are reproduced in stereo. For weak signal, this may result in a poor signal-to-noise.

To play weak signal in mono mode, follow the below steps to switch between stereo and mono setting.

1. Press the Menu button (2.) and press Tune + / - (4) button to select <Audio setting>. Then press Enter button (8.) to confirm.
2. Press Tune + / - (4) button to select < Forced mono >. Then press Enter button (8.) to confirm the setting.
3. When you wish to switch to stereo signals, follow the same procedure but to select < Stereo allowed >.

**Audio setting:**

1. Press the Menu button (2) then press Tune + / - (4) button to select 'Audio setting' then press Confirm Enter button (8.) to confirm.
2. Press Tune +/- button (4) to select 'Force mono' then press Confirm Enter button (8.) to confirm.

**Hints for best reception: -**

FM: the receiver has a rod antenna (17.) at the rear cabinet. This antenna should be totally unraveled and extended for the best reception.

**Radio data system (RDS)**

This is the feature which displays the information released from the radio broadcast and will showed on the LCD display step by step as below by pressing the Info button (9.) continuously.

Radio text → program type → frequency → mono/stereo → time → date

**Preset memory stations**

You can store 10 FM stations in the memory

1. Turn to the desired radio station by "manual" or "auto" tuning method.
2. Press and hold the Preset button on the remote for 2-3 seconds, the display will show "Preset Store" <1: (Empty) >.
3. Then press Tune + / - button on the unit or remote to select the desired Preset Store number.
4. Press Enter button to store the location (1-10). Display will show Preset 'X' stored

**Remarks:**

1. If the preset station is already stored, the display will show the frequency next to the preset station, eg:<1: 94.50MHz >.
2. The preset station will be overwrite when new radio station is being stored.
3. For present station number 1, 2, 3, 4 they can be stored directly by pressing and hold the button (12.) or (13.) or (14.) or (15) on the main unit after turned to the desired radio station.

**Recall preset memory:**

1. Press the Preset buttons on the remote control to recall the preset station directly.
2. For preset station nr. 1 button (12) / nr. 2 (13.) / nr. 3 (14.) / nr. 4 (15.) on the main unit directly to recall these three preset stations. Menu button (2) then press Tune + / - (4) button to select "Preset Recall.
3. Display will show the preset station frequency and preset store number (P1, P2, P3... etc).



### **Digital audio broadcasting (DAB) radio**

1. Turn on the unit by pressing On/Off button (3.), then press the Mode button (7.) to select DAB mode.
2. Unit will automatically scan all available stations in DAB mode.
3. Or press the Menu button (2.) once, the display will show < Full scan >. Press Enter button (8.) to confirm and unit will start a full scan and all the received station will be kept in station list after scan.
4. Press Tune + / - (4) button to select your desired DAB channel then press Enter button (8.) to confirm the selected channel.
5. Rotate volume up/down knob (5.) for the desired volume level.
6. Press the Info button continuously to check the below info released by DAB.  
Signal strength → program type → Group name → frequency → signal error → transfer rate → time → date

### **Manual tune**

1. Turn on the unit by pressing On/Off button (3.), then press the Mode button (7.) to select DAB mode.
2. Press the Menu button (2.) then press Tune - (4) button, the display will show < Manual tune >.
3. Press Enter button (8.) to confirm and the display will show the DAB channels.
4. Press press Tune + / - (4) button to cycle through the DAB channels and press Enter button (8.) to enter the channel.
5. Rotate volume up/down knob (5.) for the desired volume level.

### **Display information**

This is the feature which displays the information released from the radio broadcast and will showed on the LCD display step by step as below by pressing the Info button (9.) continuously.  
Radio text → program type → frequency → mono/stereo → time → date

### **DRC (Dynamic Range Control) value**

You can set the compression level of station to eliminate the different in dynamic range or sound level between radio station.

1. Set in DAB mode. Press the Menu button (2.) then press Tune + / - (4) button to select < DRC >. Press Enter button (8.) to enter the setting.
2. Press the Tune + / - (4) button to select your desired DRC level then press Enter button (8.) to confirm your selection.

### **Station order**

1. Set in DAB mode. Press the Menu button (2.) then press Tune + / - (4) button to select < Station order >. Press Enter button (8.) to enter the setting.
2. Press Tune + / - (4) button to browse 'Alphanumeric' and 'Ensemble' then press Press Enter button (8.) to confirm your selection.

### **Prune inactive station**

1. Set in DAB mode. Press the Menu button (2.) then press Tune + / - (4) button button to select < Prune >. Press Enter button (8.) to enter the setting.
2. Press S Tune + / - (4) button to select 'Yes' then press Press Enter button (8.) to confirm.

### **Preset memory station**

You can store 10 DAB stations in the memory and the setting step were exactly same as FM.

## System setting

Set in FM or DAB mode. Press the Menu button (2.) then press Tune + / - (4) button to select < System >. Press Enter button (8.) to enter the setting of the time, backlight, inactive standby, languages. Pressing Tune + / - (4) button to select and press the Enter button (8.) to enter/confirm. Press Menu button (2.) again to quite the setting.

### Time

- Refer to the section “Setting the Time & Date”

<System>	<Backlight>	<Timeout>	To set the duration of the display to change the backlight brightness from On level to Dim level at standby mode. <10 sec>, <20 sec>, <30 sec>, <45 sec>, <60 sec>, <90 sec>, <120 sec>, <180 sec>, <ON>
		<On level>	The backlight brightness at ON (operation) mode <High>, <Medium>, <Low>
		<Dim level>	The backlight brightness at Standby mode <High>, <Medium>, <Low>
<System>	<Inactive Standby>	<OFF>, <2 hour>, <4 hour>, <5 hour>, <6 hour>	
<System>	<Language>	English, Espanol, Francais, Italiano, Nederlands, Norsk, Polski, Suomi, Dansk, Deutsch	
<System>	<Factory Reset>	Once perform the factory reset, all the preset station will be erased as well as language setting, unit will back to its ordinary ex-factory setting. <Yes>, <No>	
<System>	<Software Upgrade>	<Yes>, <No>	
<System>	<SW Version>	To check the software version	

## Bluetooth connecting and playback


1. Turn on the unit by pressing On/Off button (3.), then press the Mode button (7.) to select Bluetooth mode.
2. “Bluetooth” will be shown on the LCD display. It means the Bluetooth is in searching mode.
3. Switch on the Bluetooth feature of your Bluetooth device (such as mobile phone) and select “Lenco PDR-065” Bluetooth equipment to connect.
4. Once connected successfully, the LCD display will show “BT Connected”.
5. Start playback from your Bluetooth device and enjoy the music.
6. Rotate volume up/down knob (5.) to desired volume level.
7. You can press the Skip up **▶▶** or Skip down **◀◀** button of your Bluetooth device to control the music playback.
8. To disconnect the Bluetooth connection, press the Mode button (7.) to switch to another mode or turn off the Bluetooth feature of your Bluetooth device. The LCD display will show “Bluetooth” again for pairing of a new device or switch off the unit. Repeat step 3-5 above to connect for another Bluetooth device.

## More features

### A. Alarm clock setting

This function allows the system to turn on automatically and wake you up to buzzer, FM or DAB mode. Set the system to DAB / FM mode, then press the Menu button (2.) then press Tune + / - (4) button to select <System> press Enter button (8.) to confirm. Press Tune + / - (4) button to select <Alarm>, press Enter button

(8.) to enter the Timer setting mode. LCD will show Timer On time, Moreover, the timer clock will flash the hour digit, this means the unit is all ready to enter timer setting mode.

- 1) Alarm 1 Set up : Press the Alarm key to select the set up of Alarm 1. Press OK key to start the set up.
- 2) On time setting : Once enter the set up of The Alarm, the hour digits is flashing. Press + / - key to set the hour and then press Enter key to confirm the hour. Then the minute digits is flashing. Press + / - key to set the hour and then press Enter key to confirm the minute.
- 3) Duration : Then press + / - key to select the duration of the alarm between: 15, 30, 45, 60, 90, 120 (minutes). Tune + / - (4) button to select timer on mode. Then press Enter button (8) to store the timer on mode.
- 4) Source : Press up / down key to select the wake up mode between: Buzzer, FM, DAB. FM/DAB: can select between last listened or preset station list. Press + / - key to select and then press OK key to confirm the setting.
- 5) Frequency : You can select the alarm frequency between: Daily, Once, Weekends or Weekdays. If you choose Once, you need to confirm the date of the alarm. Press Tune + / - (4) button to select timer on volume level and press Enter button (8) to complete the timer setting. The Unit will return to standby mode and the display will show the timer icon "⌚".
- 6) Alarm on / off : Press + / - key to select alarm on or off, and then press Enter key to confirm the setting.  
Once the alarm is on, the alarm icon  will be shown on the display. On the other hand, the alarm icon will be disappeared if the alarm is being turn off.

**Remark: -**

- For FM/DAB wake up, the system will preset to the last radio frequency being listened too before switching off.
- If wake up to buzzer is selected, the unit will emit a "beep beep" sound at the selected time.
- There are about 4 seconds for the alarm setting mode, this system will return to normal mode automatically if no keys are being pressed in this time frame.

**The alarm can only work when the device is positioned and connected on the battery docking station!**

**B. SNOOZE**

Press the Snooze key on the unit once to extend the alarm for 5 minutes every time.

**C. Using Headphones**

Inserting the plug of your headphones into the Headphone jack will enable you to listen in private.

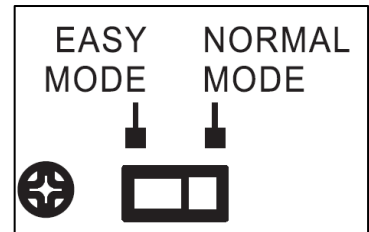
**READ THIS IMPORTANT INFORMATION BEFORE USING YOUR HEADPHONES**

- 1) Avoid extended play at very high volume as it may impair your hearing.
- 2) If you experience ringing in your ears, reduce the volume or shut off your unit.
- 3) Keep the volume at a reasonable level to allow you to hear outside sounds.

**D. Easy – Normal mode switch**

This system has built-in easy-normal mode switch at the rear panel. Switch on Easy Mode to simplify the interface of the device, making it easy to use for seniors.

Slide the Easy- Normal mode switch to the Easy mode position – Only Power On/Off (3), Preset 1 – 4 buttons (12 – 15), and Volume knob (5) are still in operation. Other buttons will be cut-off.



Information	Notes	
Manufacturers name or trade mark, commercial registration and address	-	Shenzhen ABP Technology Co. Ltd. Address: 2 <sup>nd</sup> floor, B2 Building, Xin hao sheng Industrial zone, Yonghe Road, Qiaotou, Fuhai Street, Bao an District, Shenzhen City, Guangdong 518103, P.R. China
Model Identifier	-	AD0181-0552500GB
Input voltage	Specified by the manufacturer. Shall be a value or a range.	100-240V
Input AC frequency	Specified by the manufacturer. Shall be a value or a range	50/60 Hz
Output voltage	Nameplate output voltage. Shall indicate whether is AC or DC.	5,5V
Output current	Nameplate output current.	2,5A
Output Power	Nameplate output power.	13,75W
Average active efficiency	Declared by the manufacturer based on the value calculated as arithmetical mean of efficiency at load conditions 1-4.	87,403%

Efficiency at low load (10%)	Declared by the manufacturer based on the value calculated at load condition 5. External power supplies with a nameplate output power of 10 W or less shall be exempted from this requirement.	71,9%
No load Power consumption	Declared by the manufacturer based on the value measured for load condition 6.	$\leq 0.1W$

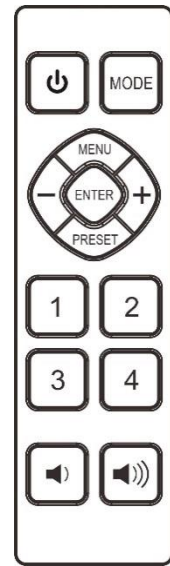
## Remote control transmitter

### Battery installation (battery not provided)

The infra-red transmitter requires 2 pc AAA size battery for operation

#### Button description

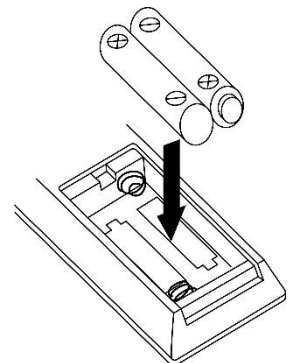
Power on/Standby	Press to power on/standby the system
Mode	Press to select the function modes
Menu	Press to enter the menu setting
- / +	Press to choose the options
ENTER	Press to confirm the setting
Preset	Press enter the FM/DAB radio preset station
Preset Nr. 1 – 4	To recall the peset FM / DAB station directly
Volume up / down	Press to adjust the volume level



### BATTERY INSTALLATION

The battery compartment is located on the back of the remote control.

1. Remove the battery compartment door by pressing in on the tab and lifting it off.
2. Insert two (2) AAA size batteries (not included) into the battery compartment following the polarity markings inside the battery compartment.
3. Replace the battery compartment door.



#### BATTERY WARNING

1. Be sure that the batteries are installed correctly. Wrong polarity may damage the unit.
2. Use only the size and type of batteries specified.
3. Do not mix old and new batteries.
4. Do not mix alkaline, standard (carbon-zinc) or rechargeable (nickel-cadmium) batteries.
5. If the unit is not to be used for an extended period of time, remove the batteries. Old or leaking batteries can cause damage to the unit and may void the warranty.
6. Do not try to recharge batteries not intended to be recharged; they can overheat and rupture. (Follow battery manufacturer's directions).
7. Do not dispose of batteries in fire, batteries may leak or explode.

**NOTE: Due to ERP stage two requirements and to protect the environment, the unit will switch to standby mode automatically if no music is playing after 15 minutes.**

## **1. Guarantee**

Commaxx B.V. offers service and warranty in accordance to European law, which means that in case of repairs (both during and after the warranty period) you should contact your local dealer.

Important note: It is not possible to send products that need repairs to Commaxx B.V. directly.

Important note: If this unit is opened or accessed by a non-official service center in any way, the warranty expires.

This device is not suitable for professional use. In case of professional use, all warranty obligations of the manufacturer will be voided.

## **2. Disclaimer**

Updates to Firmware and/or hardware components are made regularly. Therefore some of the instruction, specifications and pictures in this documentation may differ slightly from your particular situation. All items described in this guide for illustration purposes only and may not apply to particular situation. No legal right or entitlements may be obtained from the description made in this manual.

### 3. Disposal of the Old Device



This symbol indicates that the relevant electrical product or battery should not be disposed of as general household waste in Europe. To ensure the correct waste treatment of the product and battery, please dispose them in accordance to any applicable local laws of requirement for disposal of electrical equipment or batteries. In so doing, you will help to conserve natural resources and improve standards of environmental protection in treatment and disposal of electrical waste (Waste Electrical and Electronic Equipment Directive).

### 4. DECLARATION OF CONFORMITY

Hereby, Commaxx declares that the radio equipment type [Lenco PDR-065] is in compliance with directive 2014/53/EU. The full text of the EU declaration of conformity is available at the following internet address: [https://commaxx-certificates.com/doc/pdr-065\\_doc.pdf](https://commaxx-certificates.com/doc/pdr-065_doc.pdf)

Type RF	Frequency range (MHz)	Power (dBm)
Bluetooth	2402-2480	< 6
DAB	174-240	-
FM	87.5-108	-

### 5. Service

For more information and helpdesk support, please visit [www.lenco.com](http://www.lenco.com)

Commaxx B.V. Wiebachstraat 37, 6466 NG Kerkrade, The Netherlands.



**VOORZICHTIG:**

Het gebruik van bedieningen of afstellingen of het uitvoeren van procedures anders dan hierin gespecificeerd, kan leiden tot blootstelling aan gevaarlijke straling.

**VOORZORGSMAATREGELEN VÓÓR GEBRUIK**

**NEEM MET DE VOLGENDE INSTRUCTIES IN ACHT:**

1. Bedek of blokkeer geen van de ventilatieopeningen. Als u het apparaat op een schap plaatst, dient u voor 5 cm (2") vrije ruimte rondom het gehele apparaat te zorgen.
2. Installeer in overeenstemming met de meegeleverde gebruikshandleiding.
3. Houd het apparaat uit de buurt van warmtebronnen zoals radiatoren, kachels, fornuizen, kaarsen en andere warmtegenererende producten of open vuur. Het apparaat kan alleen worden gebruikt in gematigde klimaten. Extreem koude of warme omgevingen dienen te worden vermeden. Bedrijfstemperatuur tussen 0° en 35°C.
4. Gebruik het apparaat niet in de buurt van krachtige magnetische velden.
5. Elektrostatische ontlading kan de normale werking van dit apparaat verstoren. In dit geval kunt u het apparaat gewoon resetten en opnieuw starten volgens de gebruiksaanwijzingen. Wees voorzichtig tijdens bestandsoverdracht en voer dit uit in een omgeving zonder statische interferentie.
6. Waarschuwing! Steek geen voorwerpen in het product via de ventilatie- of andere openingen. Er is hoge spanning aanwezig in het product en als u er een voorwerp insteekt, kan dat tot elektrische schokken en/of kortsluiting van de interne onderdelen leiden. Laat om dezelfde reden geen water of vloeistof op het product terecht komen.
7. Gebruik het apparaat niet in natte of vochtige ruimtes zoals badkamers, keukens met veel stoom of in de buurt van zwembaden.
8. Stel het apparaat niet bloot druppels of spetters en zorg ervoor dat er geen met vloeistof gevulde voorwerpen, zoals vazen, op of in de buurt van het apparaat worden geplaatst.
9. Gebruik dit apparaat niet als er condensatie kan optreden. Wanneer het apparaat in een warme en vochtige kamer wordt gebruikt, dan kunnen er waterdruppeltjes of condensatie binnenin het apparaat worden gevormd waardoor het apparaat mogelijk niet meer goed werkt; houd en apparaat 1 of 2 uur op UIT staan voordat u de voeding weer inschakelt: het apparaat dient droog te zijn voordat deze stroom ontvangt.
10. Al is dit apparaat met de grootste zorg vervaardigd en meerdere keren gecontroleerd voordat deze de fabriek verlaat, is het toch mogelijk dat er problemen optreden, zoals bij alle elektrische apparaten. Als u rook, overmatige warmteontwikkeling of andere onverwachte verschijnselen constateert, dient u onmiddellijk de stekker uit het stopcontact te trekken.
11. Dit apparaat moet van stroom worden voorzien door een bron zoals gespecificeerd op het nominale specificatielabel. Als u niet zeker weet welk type stroomvoorziening in uw huis wordt gebruikt, neem dan contact op met uw dealer of het plaatselijke energiebedrijf.
12. Houd uit de buurt van dieren. Sommige dieren knauwen graag aan voedingskabels.
13. Gebruik een zachte, droge doek om het apparaat schoon te maken. Gebruik geen oplosmiddelen of vloeistoffen op benzinebasis.  
U kunt een vochtige doek met verdund schoonmaakmiddel gebruiken om hardnekkige vlekken te verwijderen.
14. De leverancier is niet verantwoordelijk voor schade of verlies van gegevens veroorzaakt door storing, misbruik, modificatie van het apparaat of vervanging van de batterij.
15. Zorg ervoor de verbinding niet te verbreken terwijl het apparaat bezig is met formatteren of bestandsoverdracht. Gegevens kunnen anders corrupt of verloren raken.
16. Als het apparaat een USB-afspeelfunctie heeft, moet de USB-geheugenstick rechtstreeks in het apparaat worden gestoken. Gebruik geen USB-verlengsnoer, omdat deze interferentie kan veroorzaken waardoor uw gegevens verloren kunnen gaan.
17. Het nominale specificatielabel is te vinden op het onder- of achterpaneel van het apparaat.
18. Dit product is niet bestemd voor gebruik door personen (waaronder kinderen) met verminderde fysieke, zintuiglijke of mentale capaciteiten, of met een tekort aan kennis en ervaring, tenzij een persoon verantwoordelijk voor hun veiligheid toezicht houdt of instructies heeft gegeven voor het correcte gebruik van het apparaat.
19. Dit product is uitsluitend bedoeld voor niet-professioneel gebruik en niet voor commercieel of industrieel gebruik.

20. Zorg ervoor dit apparaat op een stabiele plek te plaatsen. Beschadigingen veroorzaakt door het gebruik van dit apparaat in een onstabiele positie, trillingen of schokken of door het niet opvolgen van andere waarschuwingen of voorzorgsmaatregelen beschreven in deze gebruikshandleiding, worden niet gedekt door de garantie.
21. Verwijder nooit de behuizing van dit apparaat.
22. Plaats dit apparaat nooit op andere elektrische apparatuur.
23. Houd plastic zakken uit de buurt van kinderen.
24. Gebruik alleen uitbreidingen/accessoires gespecificeerd door de fabrikant.
25. Laat alle reparaties over aan bevoegd onderhoudspersoneel. Reparatie is vereist wanneer het apparaat op enigerlei wijze is beschadigd, zoals een beschadigde voedingskabel of stekker, wanneer vloeistof is gemorst of voorwerpen in het apparaat zijn gevallen, wanneer het apparaat is blootgesteld aan regen of vocht, niet normaal functioneert of is gevallen.
26. Langdurige blootstelling aan harde geluiden van persoonlijke muzikspelers kan leiden tot tijdelijk of permanent gehoorverlies.
27. Als het product wordt geleverd met een voedingskabel of AC-stroomadapter:
  - Als er problemen optreden, koppel de AC-voedingskabel dan los en laat reparaties over aan bevoegd personeel.
  - Niet op de stroomadapter gaan staan of deze indrukken. Wees zeer voorzichtig, vooral in de buurt van de stekkers en waar de kabel uit het apparaat komt. Plaats geen zware voorwerpen op de stroomadapter, om beschadiging ervan te voorkomen. Houd het gehele apparaat buiten bereik van kinderen! Wanneer kinderen met de voedingskabel spelen, kunnen zij ernstig letsel oplopen.
  - Koppel dit apparaat los tijdens onweer of wanneer deze voor een lange periode niet wordt gebruikt.
  - Het stopcontact moet in de buurt van de apparatuur zijn geïnstalleerd en eenvoudig te bereiken zijn.
  - Zorg ervoor stopcontacten of verlengsnoeren niet te overbelasten. Overbelasting kan tot brand of elektrische schokken leiden.
  - Apparaten met een klasse 1 constructie moeten worden aangesloten op een stopcontact met een beschermende aardeverbinding.
  - Apparaten met een klasse 2 constructie vereisen geen aardeverbinding.
  - Houd altijd de stekker vast wanneer u deze uit het stopcontact trekt. Trek niet aan de voedingskabel. Dit kan anders een kortsluiting veroorzaken.
  - Gebruik geen beschadigde voedingskabel of stekker of een los stopcontact. Dit kan anders leiden tot brand of elektrische schokken.
28. Als het product een afstandsbediening met knoop-/celbatterijen bevat of daarmee wordt geleverd:
 

Waarschuwing:

  - "Batterij niet inslikken, gevaar op chemische brandwonden" of soortgelijke werking.
  - [De afstandsbediening meegeleverd met] Dit product bevat een knoop-/celbatterij. Als de batterij wordt ingeslikt, kan deze in slechts 2 uur ernstige en zelfs fatale interne brandwonden veroorzaken.
  - Houd zowel nieuwe als verbruikte batterijen uit de buurt van kinderen.
  - Als het batterijvak niet goed sluit, gebruik het product dan niet langer en houd het uit de buurt van kinderen.
  - Als u denkt dat batterijen zijn ingeslikt of in een lichaamsdeel zijn geplaatst, dient u onmiddellijk medische hulp in te roepen.
29. Waarschuwing m.b.t. het gebruik van batterijen:
  - Risico op ontploffing als de batterij incorrect is geïnstalleerd. Vervang alleen door hetzelfde of een gelijkwaardig type.
  - Stel de batterij niet bloot aan extreem hoge of lage temperaturen of een lage luchtdruk op grote hoogte tijdens gebruik, opslag of transport.
  - Vervanging van een batterij door een incorrect type kan leiden tot een ontploffing of de lekkage van ontvlambare vloeistoffen of gas.
  - Verwijdering van een batterij in vuur of een hete oven of het mechanisch verpletteren of snijden van een batterij kan leiden tot een ontploffing.
  - Laat een batterij nooit achter in omgevingen met extreem hoge temperaturen, anders kan dit leiden tot een ontploffing of de lekkage van ontvlambare vloeistoffen of gas.
  - Stel een batterij nooit bloot aan een extreem lage luchtdruk, anders kan dit leiden tot een ontploffing of de lekkage van ontvlambare vloeistoffen of gas.
  - Houd rekening met de impact op het milieu bij het afdanken van batterijen.

## INSTALLATIE

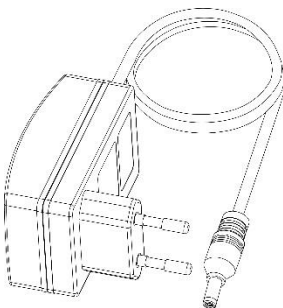
- Pak alle onderdelen uit en verwijder het beschermende materiaal.
- Sluit het apparaat niet aan op het lichtnet voordat de correcte netspanning is geverifieerd en alle andere aansluitingen tot stand zijn gebracht.

## Accessoires

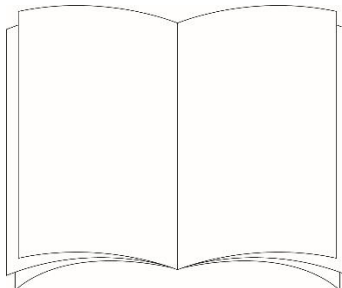
- Afstandsbediening



- Voedingsadapter

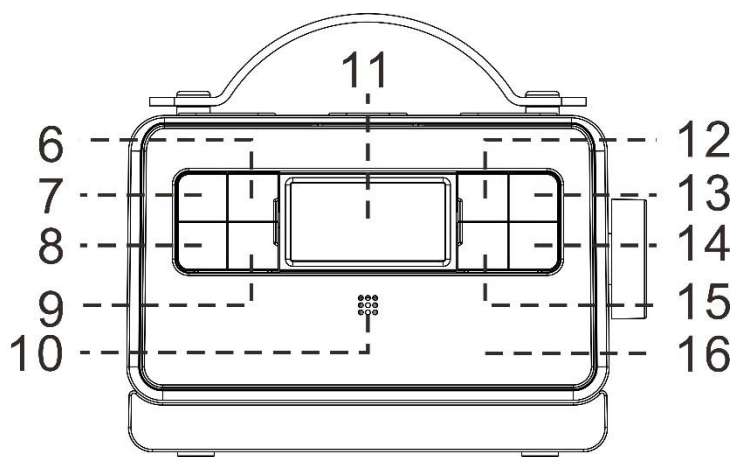
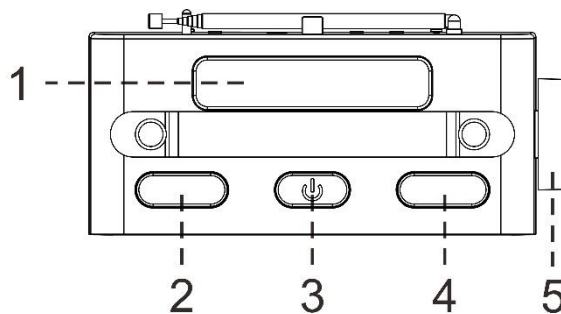


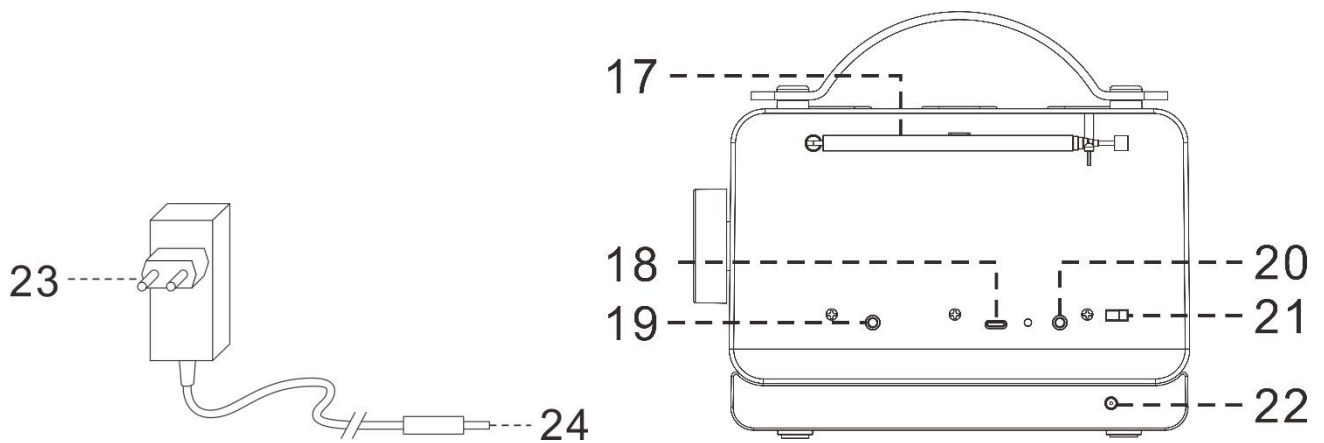
- Gebruikershandleiding



## LOCATIE VAN BEDIENINGEN

- 1) Houder afstandsbediening/mobiel
- 2) Toets Menu/Sluimer
- 3) Aan-/Uittoets
- 4) Toets afstemmen + / -
- 5) Volumetoets
- 6) Scantoets
- 7) Toets Mode
- 8) Toets bevestigen
- 9) Info-toets
- 10) Sensor van de afstandsbediening
- 11) LCD-display
- 12) Toets Voorkeuzestation nr. 1
- 13) Toets Voorkeuzestation nr. 2
- 14) Toets Voorkeuzestation nr. 3
- 15) Toets Voorkeuzestation nr. 4
- 16) Luidspreker
- 17) FM-antenne
- 18) Type C-aansluiting
- 19) 3,5 mm hoofdtelefoonaansluiting
- 20) Aansluiting Lijn uit
- 21) Schakelaar Eenvoudig-Normaal-modus
- 22) DC-aansluiting van oplaaddockingstation
- 23) AC/DC-adapter
- 24) DC-stekker





### Voorzichtig:

Het gebruik van bedieningen of procedures anders dan hierin gespecificeerd kan leiden tot blootstelling aan gevaarlijke straling.

Dit apparaat dient uitsluitend te worden aangepast of gerepareerd door gekwalificeerd onderhoudspersoneel.

### Belangrijk:

Aangezien de gevoelige circuits interferentie kunnen veroorzaken met een radiotuner in de buurt, dient u dit apparaat uit te schakelen terwijl u andere radioapparaten bedient.

**Vanwege de complexiteit van de MCU-besturing, dient u de netvoeding van het apparaat los te koppelen als het apparaat tijdens bedrijf stopt! Dit duidt niet op een storing van het systeem!**

### Vorzorgsmaatregelen voor gebruik

---

#### Installatie

1. Pak alle onderdelen uit en verwijder het beschermende materiaal.
2. Sluit het apparaat niet aan op het lichtnet voordat de correcte netspanning is geverifieerd en alle andere aansluitingen tot stand zijn gebracht.
3. Bedek geen van de ventilatieopeningen en zorg voor enkele centimeters vrije ruimte rondom het apparaat voor ventilatie.

#### Aansluiting

---

1. Steek de DC-stekker (24.) in de DC-aansluiting (22.) van het oplaaddockingstation en sluit vervolgens de AC/DC-adapter (23.) aan op het stopcontact.
2. Plaats het hoofdapparaat op het oplaaddockingstation om op te laden.
3. Zet het apparaat aan door op de aan-/uittoets (3.) te drukken. Als het LCD-display aan staat met tekst, dan betekent dit dat de voeding normaal is. Nu is uw systeem gereed om de muziek af te spelen.
- 4.

#### Opmerking:

1. Om de levensduur van de batterij van de ingebouwde oplaadbare batterij te verlengen, gaat het apparaat uit nadat het is uitgeschakeld als het is losgekoppeld van het oplaadstation. En de afstandsbediening kan het apparaat niet aanzetten als het apparaat is losgekoppeld van het oplaadstation. Druk op de aan-/uittoets (3.) van het hoofdapparaat om het apparaat in deze situatie in te schakelen.
2. Het wordt aanbevolen om het apparaat op het oplaadstation aan te sluiten voor thuisgebruik. Zodat het apparaat in de stand-bymodus kan blijven nadat het apparaat is uitgezet en de afstandsbediening kan worden gebruikt om

## De tijd en datum instellen

De klok wordt gesynchroniseerd met de RDS/DAB-klok zodra het RDS/DAB-sigitaal is ontvangen als de klok niet van tevoren was ingesteld.

Volg de onderstaande stappen om de tijd en datum handmatig in te stellen.

1. Zet het apparaat aan door op de aan-/uittoets (3.) te drukken en druk vervolgens op de modustoets (7.) om de FM- of DAB-modus te selecteren.
2. Druk op de toets Menu (2.) en druk op de toets Afstemmen + / - (4) om <System (Systeem)> te selecteren, druk op de toets Enter (8.) om te bevestigen.
3. Het display toont <Time (Tijd)>, druk op de toets Enter (8.) om te openen.
4. Het display toont <Set time/Date (Tijd/datum instellen)>, druk op de toets Enter (8.) om te openen.
5. Stel de uren en minuten in door op de toets Afstemmen + / - (4) te drukken en druk op de toets Enter (8.) om te bevestigen.
6. Het display verandert in "Set date 1-1-2020 (Datum instellen 1-1-2020)". Stel vervolgens de dag/maand/jaar in door op de toets Afstemmen + / - (4) te drukken en druk op de toets Enter (8.) om te bevestigen.
7. Het display toont <Time saved (Tijd opgeslagen)>, wat betekent dat de tijd en datum met succes zijn opgeslagen.
8. Onder de instelling <System (Systeem)> <Time (Tijd)> kunt u ook het formaat uur/datum instellen. Volg de onderstaande indeling van het menu voor de bediening.  
Druk op de toets Afstemmen + / - (4) om te selecteren en druk op de toets Enter (8.) om te openen/bevestigen.  
Druk nogmaals op de toets Menu (2.) om de instelling te beëindigen.

<System (Systeem)>	<Time (Tijd)>	<Set time/Date (Tijd/datum instellen)>	Volg de instructie "De tijd en datum instellen"
		<Auto update (Automatisch bijwerken)>	Update from Any (Bijwerken vanaf elke) (het systeem werkt de tijd en datum automatisch bij zodra het RDS/DAB-sigitaal is ontvangen)
			Update from DAB (Bijwerken vanaf DAB) (het systeem werkt de tijd en datum automatisch bij zodra het DAB-sigitaal is ontvangen)
			Update from FM (Bijwerken vanaf FM) (het systeem werkt de tijd en datum automatisch bij zodra het FM-sigitaal is ontvangen)
			No update (Niet bijwerken) (Als u de tijd en datum liever handmatig instelt, selecteert u deze instelling)
		<Set 12/24 hour (12/24 uur instellen)>	24 uur instellen
			12 uur instellen
		<Set date format (Datumformaat instellen)>	DD-MM-JJJJ
			MM-DD-JJJJ

- De ingestelde tijd wordt volledig gereset als de netvoeding wordt losgekoppeld. Voor handig gebruik wordt aanbevolen om het systeem in de stand-by-modus te zetten.

## Naar de radio luisteren

---

### FM-bediening

#### Handmatig afstemmen

1. Zet het apparaat aan door op de aan-/uittoets (3.) te drukken en druk vervolgens op de modustoets (7.) om de FM-modus te selecteren.
2. Druk op de toets Afstemmen + / - (4) om op uw gewenste station af te stemmen.
3. Draai de knop volume omhoog/omlaag (5.) voor het gewenste volumeniveau.

#### Automatisch afstemmen

1. Houd de toets Afstemmen + / - (4) een tijdje ingedrukt en laat de toets vervolgens los. Het apparaat begint omhoog of omlaag te zoeken totdat het radiostation is ontvangen.
2. Draai de knop volume omhoog/omlaag (5.) voor het gewenste volumeniveau.

Hints voor de ontvangst:-

Trek de uitschuifbare antenne uit voor de beste ontvangst.

#### Instelling FM zoeken

Als er na automatisch afstemmen te veel ongewenste zwakke radiostations worden ontvangen, dan kunt u sterke stations alleen selecteren door de zwakkere **signalen** eruit te filteren.

1. Druk in de FM-modus op de toets Menu (2.) en het display toont <Scan setting (Scaninstelling)> en druk vervolgens op de toets Enter (8.).
2. Druk op de toets Afstemmen + / - (4) om "Strong station only (Alleen sterke stations)" te selecteren. Druk vervolgens op de toets OK/Enter (8.) om de instelling te bevestigen.
3. Voer het automatisch afstemmen opnieuw uit zoals hierboven.

#### Ontvangst FM-mono en FM-stereo

Standaard zijn alle stations in stereo. Dit kan voor zwak signaal leiden tot een slechte signaal-ruis

Volg de onderstaande stappen om te schakelen tussen de instelling stereo en mono om een zwak signaal in mono af te spelen.

1. Druk op de toets Menu (2.) en druk op de toets Afstemmen + / - (4) om <Audio setting (Audio-instelling)> te selecteren. Druk op de toets Enter (8.) om te bevestigen.
2. Druk op de toets Afstemmen + / - (4) om < Forced mono (Forceer mono) > te selecteren. Druk vervolgens op de toets Enter (8.) om de instelling te bevestigen.
3. Als u wilt overschakelen naar stereosignalen, volg dan dezelfde procedure, maar selecteer < Stereo allowed (Stereo toegestaan) >.

#### Audio-instelling:

1. Druk op de toets Menu (2) en druk op de toets Afstemmen + / - (4) om 'Audio setting (Audio-instelling)' te selecteren, druk vervolgens op de toets Enter (8.) om te bevestigen.
2. Druk op de toets Afstemmen (4) om 'Force mono (Forceer mono)' te selecteren en druk vervolgens op de toets Enter (8.) om te bevestigen.

#### Hints voor de beste ontvangst:-

FM: de ontvanger heeft een staafantenne (17.) aan de achterkant. Deze antenne dient volledig te worden uitgeschoven en verlengd voor de beste ontvangst.

#### Radio data system (RDS)

Dit is de functie die de informatie van de radio-uitzending weergeeft en stap voor stap op het LCD-display wordt weergegeven, zoals hieronder door continu op de toets Info (9.) te drukken.

Radio text (Radiotekst) → program type (type programma) → frequency (frequentie) → mono/stereo → time (tijd) → date (datum)

### **Geheugen voorkeuzestations**

U kunt 10 FM-stations in het geheugen opslaan

1. Draai naar het gewenste radiostation met de "handmatige" of "automatische" afstemmethode.
2. Houd de toets Voorkeuze op de afstandsbediening 2-3 seconden ingedrukt, het display toont "Preset Store (Voorkeuze opslaan)" <1: (Empty (leeg)) >.
3. Druk vervolgens op de toets Afstemmen + / - op het apparaat of de afstandsbediening om het gewenste geheugennummer te selecteren.
4. Druk op de toets Enter om de locatie op te slaan (1-10). Display toont Preset 'X' stored (Voorkeuze 'X' opgeslagen)

### **Opmerking:**

1. Als het voorkeuzestation al is opgeslagen, toont het display de frequentie naast het voorkeuzestation, bijvoorbeeld: <1: 94,50 MHz >.
2. Het voorkeuzestation wordt overschreven wanneer een nieuw radiostation wordt opgeslagen.
3. Voor een voorkeuzestationsnummer 1, 2, 3, 4 kunnen ze direct worden opgeslagen door de toets (12.) of (13.) of (14.) of (15) op het hoofdapparaat ingedrukt te houden nadat u op de gewenste radio hebt gedraaid afgestemd.

### **Geheugenstations oproepen:**

1. Druk op de voorkeuzetoetsen op de afstandsbediening om het voorkeuzestation direct op te roepen.
2. Voor voorkeuzestationsnr. 1 toets (12)/nr. 2 (13.) /nr. 3 (14.) /nr. 4 (15.) rechtstreeks op het hoofdapparaat om deze drie voorkeuzestations op te roepen. Toets Menu (2) en druk vervolgens op de toets Afstemmen + / - (4) om "Preset Recall (Geheugen oproepen)" te selecteren.
3. Het display toont de frequentie van het voorkeuzestation en het opgeslagen nummer (P1, P2, P3... enz.).

### **Digitale audio-uitzending (DAB) radio**

1. Zet het apparaat aan door op de aan-/uittoets (3.) te drukken en druk vervolgens op de toets Mode (7.) om de DAB-modus te selecteren.
2. Het apparaat zoekt automatisch alle beschikbare stations in de DAB-modus.
3. Of druk eenmaal op de toets Menu (2.), het display toont < Full scan (Volledige scan) >. Druk op de toets Enter (8.) om te bevestigen en het apparaat zal een volledige scan starten en alle ontvangen stations worden na het scannen in de stationslijst bewaard.
4. Druk op de toets Afstemmen + / - (4) om het gewenste DAB-kanaal te selecteren en druk vervolgens op de toets Enter (8.) om het geselecteerde kanaal te bevestigen.
5. Draai de volumetoets omhoog/omlaag (5.) voor het gewenste volumeniveau.
6. Druk continu op de toets Info om de onderstaande informatie te bekijken die door DAB is vrijgegeven.  
Signal strength (Signaalsterkte) → program type (programmatype) → Group name (Groepsnaam) → frequency (frequentie) → signal error (signaalfout) → transfer rate (overdrachtssnelheid) → time (tijd) → date (datum)

### **Handmatig afstemmen**

1. Zet het apparaat aan door op de aan-/uittoets (3.) te drukken en druk vervolgens op de toets Mode (7.) om de DAB-modus te selecteren.
2. Druk op de toets Menu (2.) en druk vervolgens op de toets Afstemmen - (4), het display toont < Manual tune (Handmatig afstemmen) >.
3. Druk op de toets Enter (8.) om te bevestigen en het display toont de DAB-kanalen.
4. Druk op de toets Afstemmen + / - (4) om door de DAB-kanalen te bladeren en druk op de toets Enter (8.) om het kanaal te openen.
5. Draai de volumetoets omhoog/omlaag (5.) voor het gewenste volumeniveau.

### **Displayinformatie**

Dit is de functie die de informatie van de radio-uitzending weergeeft en stap voor stap op het LCD-display wordt weergegeven, zoals hieronder door continu op de toets Info (9.) te drukken.

Radio text (Radiotekst) → program type (type programma) → frequency (frequentie) → mono/stereo → time (tijd) → date (datum)

### Waarde DRC (Dynamische bereikcompressie)

U kunt het compressieniveau van het station instellen om het verschil in dynamisch bereik of geluidsniveau tussen radiostations te elimineren.

1. Instellen in DAB-modus. Druk op de toets Menu (2.) en druk vervolgens op de toets Afstemmen + / - (4) om < DRC > te selecteren. Druk op de toets Enter (8.) om de instelling te openen.
2. Druk op de toets Afstemmen + / - (4) om het gewenste DRC-niveau te selecteren en druk vervolgens op de toets Enter (8.) om uw keuze te bevestigen.

### Stationsvolgorde

1. Instellen in DAB-modus. Druk op de toets Menu (2.) en druk vervolgens op de toets Afstemmen + / - (4) om < Station order (Stationsvolgorde) > te selecteren. Druk op de toets Enter (8.) om de instelling te openen.
2. Druk op de toets Afstemmen + / - (4) om door 'Alfanumeriek' en 'Ensemble' te bladeren en druk vervolgens op de toets Enter (8.) om uw selectie te bevestigen.

### Inactief station opruimen

1. Instellen in DAB-modus. Druk op de toets Menu (2.) en druk vervolgens op de toets Afstemmen + / - (4) om < Prune (Opruimen) > te selecteren. Druk op de toets Enter (8.) om de instelling te openen.
2. Druk op de toets S Afstemmen + / - (4) om 'Yes (Ja)' te selecteren en druk vervolgens op de toets Enter (8.) om te bevestigen.

### Geheugen voorkeuzestation

U kunt 10 DAB-stations in het geheugen opslaan en de stappen voor het instellen is precies hetzelfde als FM.

### Systeeminstelling

Instellen in FM- of DAB-modus. Druk op de toets Menu (2.) en druk vervolgens op de toets Afstemmen + / - (4) om < System (Systeem) > te selecteren. Druk op de toets Enter (8.) om de instelling van de tijd, achtergrondverlichting, inactief stand-by, talen in te voeren.

Druk op de toets Afstemmen + / - (4) om te selecteren en druk op de toets Enter (8.) om te openen/bevestigen.

Druk nogmaals op de toets Menu (2.) om de instelling te beëindigen.

Time (Tijd)

- Raadpleeg sectie "De tijd en datum instellen"

<System (Systeem)>	<Backlight (Achtergrondverlichting)>	<Timeout (Time-out)>	Om de duur van het display in te stellen om de helderheid van de achtergrondverlichting te wijzigen van Aan-niveau naar Dim-niveau in de stand-bymodus. <10 sec>, <20 sec>, <30 sec>, <45 sec>, <60 sec>, <90 sec>, <120 sec>, <180 sec>, <AAN>
		<On level (Aan-niveau)>	De helderheid van de achtergrondverlichting in de modus AAN (bedrijf) <Hoog>, <Gemiddeld>, <Laag>
		<Dim level (Dim-niveau)>	De helderheid van de achtergrondverlichting in de stand-bymodus <Hoog>, <Gemiddeld>, <Laag>
<System (Systeem)>	<Inactief stand-by>	<UIT>, <2 uur>, <4 uur>, <5 uur>, <6 uur>	



<System (Systeem)>	<Language (Taal)>	English, Espanol, Francais, Italiano, Nederlands, Norsk, Polski, Suomi, Dansk, Deutsch
<System (Systeem)>	<Fabrieksreset>	Nadat de fabrieksinstellingen zijn teruggezet, worden alle voorkeuzestations gewist, evenals de taalinstelling, en het apparaat keert terug naar de normale fabrieksinstelling. <Yes (Ja)>, <No (nee)>
<System (Systeem)>	<Software Upgrade (Software-upgrade)>	<Yes (Ja)>, <No (nee)>
<System (Systeem)>	<SW Version (SW-versie)>	Om de softwareversie te controleren

## Bluetooth verbinden en afspelen


1. Zet het apparaat aan door op de aan-/uittoets (3.) te drukken en druk vervolgens op de toets Mode (7.) om de Bluetooth te selecteren.
2. "Bluetooth" wordt weergegeven op het LCD-display. Dit betekent dat de Bluetooth in de zoekmodus staat.
3. Schakel de Bluetooth-functie van uw Bluetooth-apparaat (zoals mobiele telefoon) in en selecteer "Lenco PDR-065" Bluetooth-apparatuur om verbinding te maken.
4. Het LCD-scherm "BT Connected (BT verbonden)" zodra met succes is verbonden.
5. Start het afspelen vanaf uw Bluetooth-apparaat en geniet van de muziek.
6. Draai de knop volume omhoog/omlaag (5.) naar het gewenste volumeniveau.
7. U kunt op de toets Overslaan omhoog ►► of Overslaan omlaag ◄◄ van uw Bluetooth-apparaat drukken om het afspelen van muziek te regelen.
8. Druk op de toets Mode (7.) om de Bluetooth-verbinding te verbreken of om naar een andere modus te schakelen of de Bluetooth-functie van uw Bluetooth-apparaat uit te schakelen. Het LCD-display toont weer "Bluetooth" voor het koppelen van een nieuw apparaat of het uitschakelen van het apparaat. Herhaal stap 3-5 hierboven om verbinding te maken met een ander Bluetooth-apparaat.

## Meer functies

### A. Instellen wekker

Met deze functie kan het systeem automatisch worden ingeschakeld en u wakken in de modus zoemer, FM of DAB. Zet het systeem in de DAB/FM-modus, druk vervolgens op de toets Menu (2.) en druk vervolgens op de toets Afstemmen + / - (4) om <System (Systeem)> te selecteren. Druk op de toets Enter (8.) om te bevestigen. Druk op de toets Afstemmen + / - (4) om <Alarm> te selecteren, druk op de toets Enter (8.) om naar de instellingsmodus Timer te gaan. Het LCD-display toont Timer Aan-tijd. Bovendien zal de uuraanduiding van de timerklok knipperen, dit betekent dat het apparaat helemaal klaar is om de instellingsmodus Timer te openen.

- 1) Alarm 1 instellen : Druk op de Alarm-toets om het instellen van Alarm 1 te selecteren. Druk op de toets OK om het instellen te starten.
- 2) Aan-tijd instellen : Zodra het instellen van het Alarm wordt geopend, knippert de uuraanduiding. Druk op de toets + / - om het uur in te stellen en druk vervolgens op de toets Enter om het uur te bevestigen. Vervolgens knippert de minuutaanduiding. Druk op de toets + / - om de minuut in te stellen en druk vervolgens op de toets Enter om de minuut te bevestigen.
- 3) Duur : Druk vervolgens op de toets + / - om de duur van het alarm te selecteren tussen: 15, 30, 45, 60, 90, 120 (minuten). Druk op de toets Afstemmen + / - (4) om de modus timer aan te selecteren. Druk vervolgens op de toets Enter (8) om de modus timer aan op te slaan.

- 4) Bron : Druk op de toets omhoog/omlaag om de wekmodus te selecteren tussen: Zoemer, FM, DAB.  
FM/DAB: kan worden gekozen tussen de laatst beluisterde of voorkeuzestationslijst.  
Druk op de toets + /- om te selecteren en druk vervolgens op de toets OK om de instelling te bevestigen.
- 5) Frequentie : U kunt de alarmfrequentie selecteren tussen: Dagelijks, Eenmaal, Weekends of Weekdagen  
Als u Eenmaal kiest, moet u de datum van het alarm bevestigen.  
Druk op de toets Afstemmen + / - (4) om het volumeniveau van de timer te selecteren en druk op de toets Enter (8) om het instellen van de timer te voltooien. Het apparaat keert terug naar de stand-bymodus en het display toont het timerpictogram "⌚".
- 6) Alarm aan/uit Druk op de toets + /- om alarm aan of uit te selecteren en druk vervolgens op de toets Enter om de instelling te bevestigen.  
Zodra het alarm is ingeschakeld, zal het alarmpictogram  op het display verschijnen.  
Aan de andere kant zal het alarmpictogram verdwijnen als het alarm wordt uitgeschakeld.

#### Opmerking: -

- Voor het wekken met FM/DAB zal het systeem ook de laatst beluisterde radiofrequentie instellen voordat het wordt uitgeschakeld.
- Als het wekken met de zoemer is geselecteerd, zal het apparaat op het geselecteerde tijdstip een "piep piep" laten horen.
- Er zijn ongeveer 4 seconden voor de alarminstellingsmodus. Dit systeem keert automatisch terug naar de normale modus als er gedurende deze tijd geen toetsen worden ingedrukt.

**Het alarm werkt allen als het apparaat op het batterijdockingstation is geplaatst en aangesloten!**

#### B. SLUIMER

Druk eenmaal op de toets Snooze op het apparaat om het alarm elke keer met 5 minuten te verlengen.

#### C. Hoofdtelefoon gebruiken

U kunt privé luisteren als u de stekker van uw hoofdtelefoon in de hoofdtelefoonaansluiting steekt.

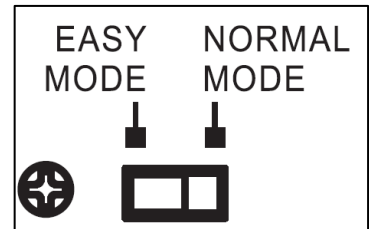
#### LEES DEZE BELANGRIJKE INFORMATIE VOORDAT U UW HOOFDTELEFOON GEBRUIKT

- 1) Vermijd langdurig afspelen bij een zeer hoog volume omdat dit uw gehoor kan beschadigen.
- 2) Als u een pieptonen in uw oren hoort, verlaag dan het volume of schakel uw apparaat uit.
- 3) Houd het volume op een redelijk niveau zodat u geluiden van buitenaf kunt horen.

#### D. Schakelaar Eenvoudig-Normaal-modus

Dit systeem heeft een ingebouwde eenvoudig-normaal-modusschakelaar op het achterpaneel. Schakel de modus Eenvoudig in om de interface van het apparaat te vereenvoudigen, waardoor het gemakkelijk te gebruiken is voor senioren.

Schuif de Eenvoudig-normaal-modusschakelaar naar de stand Eenvoudig – Alleen de Aan-/Uittoets (3), Voorkeuzetoetsen 1 – 4 (12 – 15) en volumetoets (5) zijn nog in gebruik. Andere toetsen worden uitgeschakeld.



EN	NL
EASY MODE	EENVOUDIGE MODUS
NORMAL MODE	NORMALE MODUS

Informatie	Opmerkingen	
Naam of handelsmerk van de fabrikant, handelsregistratie en adres	-	Shenzhen ABP Technology Co. Ltd. Adres: 2 <sup>nd</sup> floor, B2 Building, Xin hao sheng Industrial zone, Yonghe Road, Qiaotou, Fuhai Street, Bao an District, Shenzhen City, Guangdong 518103, P.R. China
Model-ID	-	AD0181-0552500GB
Ingangsspanning	Opgegeven door de fabrikant. Zal een waarde of een bereik zijn.	100-240 V
AC-ingangsfrequentie	Opgegeven door de fabrikant. Zal een waarde of een bereik zijn	50/60 Hz
Uitgangsspanning	Typeplaatje uitgangsspanning. Geeft aan of het AC of DC is.	5,5 V
Uitgangsstroom	Typeplaatje uitgangsstroom.	2,5 A
Uitgangsvermogen	Typeplaatje uitgangsvermogen.	13,75 W
Gemiddelde actieve efficiëntie	Opgegeven door de fabrikant op basis van de waarde berekend als rekenkundig gemiddelde van het rendement bij belastingcondities 1-4.	87,403%
Efficiëntie bij lage belasting (10%)	Opgegeven door de fabrikant op basis van de waarde berekend bij belastingconditie 5. Externe voedingen met een uitgangsvermogen van 10 W of minder zijn vrijgesteld van deze vereiste.	71,9%
Stroomverbruik bij geen belasting	Opgegeven door de fabrikant op basis van de gemeten waarde voor belastingconditie 6.	≤0,1 W

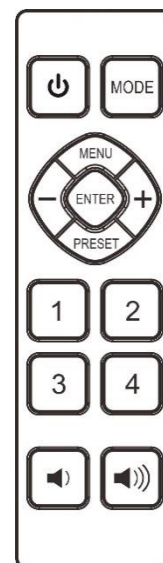
## Zender afstandsbediening:

### Batterij plaatsen (batterij niet meegeleverd)

De infraroodzender heeft 2 AAA-batterijen nodig voor gebruik

### Beschrijving van de toetsen

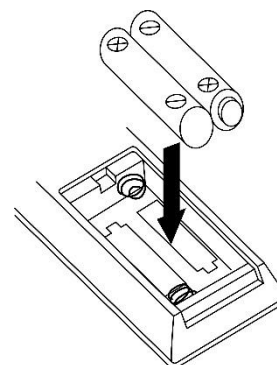
Aanzetten/Stand-by	Indrukken om het systeem aan/stand-by te zetten
Modus	Indrukken om de functiemodi te selecteren
Menu	Indrukken de menu-instellingen te openen
- / +	Indrukken om de opties te kiezen
ENTER	Indrukken om de instelling te bevestigen
Voorkeuze	Indrukken om het FM/DAB-radiovoorkeuzestation te openen
Voorkeuzenr. 1 – 4	Om de FM/DAB-voorkeuzestation direct op te roepen
Volume omhoog/omlaag	Indrukken om het volumeniveau aan te passen



### BATTERIJEN INSTALLEREN

Het batterijvak bevindt zich aan de achterkant van de afstandsbediening.

1. Verwijder het klepje van het batterijvak door op het lipje te drukken en het op te tillen.
2. Plaats twee (2) AAA-batterijen (niet meegeleverd) in het batterijvak volgens de polariteitsmarkeringen in het batterijvak.
3. Plaats het klepje van het batterijvak weer terug.



### WAARSCHUWING BATTERIJ

1. Zorg ervoor dat de batterijen correct zijn geplaatst. Verkeerde polariteit kan het apparaat beschadigen.
2. Gebruik uitsluitend de genoemde maat en soort batterijen.
3. Combineer geen oude en nieuwe batterijen.
4. Combineer geen alkaline, standaard (koolstofzink) of oplaadbare (nikkelcadmium) batterijen.
5. Als u het apparaat voor langere tijd niet gebruikt, verwijder dan de batterijen. Oude of lekkende batterijen kunnen het apparaat beschadigen en de garantie doen vervallen.
6. Probeer geen batterijen op te laden die niet bedoeld zijn om te worden opgeladen; ze kunnen oververhitten en scheuren. (Volg de aanwijzingen van de batterijfabrikant).
7. Gooi batterijen niet in vuur, batterijen kunnen lekken of exploderen.

**OPMERKING: Vanwege de ERP-vereisten voor fase twee en om het milieu te beschermen, schakelt het apparaat automatisch over naar de stand-bymodus als er na 15 minuten geen muziek wordt afgespeeld.**

## **1. Garantie**

Commaxx B.V. verleent service en garantie in overeenstemming met de Europese wetgeving, wat betekent dat u bij reparaties (zowel tijdens als na de garantieperiode) contact dient op te nemen met uw lokale dealer.

Belangrijke opmerking: Het is niet mogelijk om te repareren producten direct naar Commaxx B.V. te sturen.

Belangrijke opmerking: Als dit apparaat op enigerlei wijze wordt geopend door de gebruiker of een niet-officieel servicecentrum, komt de garantie te vervallen.

Dit apparaat is niet geschikt voor professioneel gebruik. In het geval professioneel gebruik, komen alle garantieverplichtingen van de fabrikant te vervallen.

## **2. Disclaimer**

Er worden regelmatig updates voor de firmware en/of hardwarecomponenten uitgegeven. Daarom kunnen sommige instructies, specificaties en afbeeldingen in deze documentatie enigszins afwijken van uw specifieke situatie. Alle items beschreven in deze handleiding, zijn alleen bestemd ter illustratie en zijn mogelijk niet van toepassing op een bepaalde situatie. Aan de beschrijving in deze handleiding kunnen geen wettelijke rechten of aanspraken worden ontleend.

### 3. Het oude apparaat afdanken



Dit symbool geeft aan dat het betreffende elektrische product of de batterij in Europa niet als algemeen huishoudelijk afval mag worden afgevoerd. Om ervoor te zorgen dat het product en de batterij op de juiste manier worden verwerkt, dient u deze af te danken in overeenstemming met de toepasselijke lokale wetgeving met betrekking tot de verwijdering van elektrische apparatuur of batterijen. U helpt hierdoor natuurlijke hulpbronnen te behouden en de normen voor milieubescherming bij de behandeling en verwijdering van elektrisch afval te verbeteren (richtlijn afgedankte elektrische en elektronische apparatuur).

### 4. VERKLARING VAN CONFORMITEIT

Hierbij verklaar ik, Commaxx, dat het type radioapparatuur [Lenco PDR-065] conform is met Richtlijn 2014/53/EU. De volledige tekst van de EU-conformiteitsverklaring kan worden geraadpleegd op het volgende internetadres:

[https://commaxx-certificates.com/doc/pdr-065\\_doc.pdf](https://commaxx-certificates.com/doc/pdr-065_doc.pdf)

Type RF	Frequentiebereik (MHz)	Vermogen (dBm)
Bluetooth	2402-2480	< 6
DAB	174-240	-
FM	87.5-108	-

### 5. Service

Bezoek voor meer informatie en helpdeskondersteuning [www.lenco.com](http://www.lenco.com)

Commaxx B.V. Wiebachstraat 37, 6466 NG Kerkrade, The Netherlands.

**VORSICHT:**

Eine andere als die hier beschriebene Benutzung der Bedienelemente oder Einstellung oder Durchführung von Abläufen kann zu einer Aussetzung gefährlicher Strahlung führen.

**VORSICHTSMASSNAHMEN VOR DER BENUTZUNG**

**BEFOLGEN SIE IMMER FOLGENDE ANWEISUNGEN:**

1. Blockieren oder bedecken Sie keine Lüftungsöffnungen. Wenn Sie das Gerät auf ein Regal stellen, lassen Sie um das gesamte Gerät 5 cm (2") Freiraum.
2. Stellen Sie das Gerät entsprechend den Anweisungen der mitgelieferten Bedienungsanleitung auf.
3. Halten Sie das Gerät von Hitzequellen wie Radiatoren, Heizern, Öfen, Kerzen oder anderen hitzeerzeugenden Produkten oder offenen Flammen fern. Das Gerät darf nur bei gemäßigttem Klima verwendet werden. Sehr kalte oder heiße Umgebungen sind zu vermeiden. Die Betriebstemperatur liegt zwischen 0 °C und 35 °C.
4. Meiden Sie bei der Benutzung des Produkts die Nähe starker Magnetfelder.
5. Elektrostatische Entladungen können die normale Benutzung dieses Gerätes stören. Sollte dies geschehen, führen Sie einfach einen Reset aus und starten Sie dann das Gerät entsprechend den Anweisungen dieser Bedienungsanleitung neu. Gehen Sie besonders bei Datenübertragungen mit dem Gerät vorsichtig um und führen Sie diese nur in einer anti-elektrostatischen Umgebung aus.
6. Warnung! Niemals Gegenstände durch die Lüftungsschlitze oder Öffnungen in das Gerät stecken. In diesem Gerät fließt Hochspannung und das Hineinstecken von Gegenständen kann zu Stromschlag und/oder Kurzschluss interner elektrischer Bauteile führen. Spritzen/gießen Sie aus dem gleichen Grund weder Wasser noch andere Flüssigkeiten auf das Gerät.
7. Benutzen Sie das Gerät nicht in nasser oder feuchter Umgebung wie Bad, Dampfküche oder in der Nähe von Schwimmbecken.
8. Das Gerät darf weder Tropf- noch Spritzwasser ausgesetzt werden und es dürfen keine mit Flüssigkeit gefüllten Behälter wie z. B. Vasen auf das Gerät oder in der Nähe des Gerätes gestellt werden.
9. Benutzen Sie das Gerät nicht, wenn Kondensation entstehen kann. Wenn Sie das Gerät in einem warmen, feuchten Raum mit Dampf benutzen, können Wassertropfen oder Kondensation in das Gerät eindringen und u. U. zu Fehlfunktionen des Gerätes führen. Schalten Sie in diesem Fall das Gerät für 1 bis 2 Stunden aus, bevor Sie es erneut einschalten, wobei Sie darauf achten sollten, dass das Gerät vollständig getrocknet ist, bevor Sie es wieder einschalten.
10. Obwohl dieses Gerät unter größter Sorgfalt hergestellt und vor Auslieferung mehrmals überprüft wurde, können trotzdem wie bei jedem anderen elektrischen Gerät auch Probleme auftauchen. Trennen Sie das Gerät bei Rauchentwicklung, starker Hitzeentwicklung oder jeder anderen unnatürlichen Erscheinung sofort vom Stromnetz.
11. Dieses Gerät ist durch eine Stromquelle wie auf dem Typenschild angegeben zu betreiben. Halten Sie bei Unsicherheiten über die Art Ihrer Stromversorgung in Ihrer Wohnung Rücksprache mit Ihrem Händler oder Ihrem Stromversorger.
12. Halten Sie das Gerät von Haustieren fern. Einige Nagetiere lieben es, an Netzkabeln zu nagen.
13. Benutzen Sie für die Reinigung ein weiches, trockenes Tuch. Benutzen Sie niemals Lösungsmittel oder Flüssigkeiten auf Ölbasis.  
Benutzen Sie zum Entfernen hartnäckiger Flecken ein feuchtes Tuch mit mildem Reinigungsmittel.
14. Der Hersteller haftet nicht für Beschädigungen oder Datenverluste aufgrund von Fehlfunktion, Zweckentfremdung oder Modifikation des Gerätes oder aufgrund des Wechselns der Batterie.
15. Unterbrechen Sie die Verbindung nicht während einer Formatierung oder einer Datenübertragung. Bei Unterbrechung drohen Datenverlust und Datenbeschädigung.
16. Wenn das Gerät eine USB-Wiedergabefunktion besitzt, stecken Sie den USB-Stick direkt in das Gerät. Verwenden Sie kein USB-Verlängerungskabel, weil die erhöhte Störungsanfälligkeit zu Datenverlust führen kann.
17. Das Typenschild befindet sich an der Unter- oder Rückseite des Gerätes.
18. Dieses Gerät ist nicht zur Benutzung durch Personen (einschließlich Kinder) mit physischen, sensorischen oder mentalen Beeinträchtigungen oder ohne ausreichende Erfahrung vorgesehen, es sei denn, sie werden durch eine für ihre Sicherheit verantwortliche Person beaufsichtigt oder wurden in die ordnungsgemäße Bedienung des Gerätes durch eine für ihre Sicherheit verantwortliche Person eingewiesen.
19. Dieses Produkt ist nur für den nicht-professionellen Gebrauch und nicht für gewerbliche oder industrielle Zwecke bestimmt.

20. Stellen Sie sicher, dass das Gerät in einer stabilen Position aufgestellt ist. Schäden, die durch Verwendung dieses Produkts in einer instabilen Position, durch Vibrationen, Stöße oder Nichtbeachtung der anderen in diesem Handbuch enthaltenen Warnungen und Sicherheitsmaßnahmen entstehen, werden nicht durch die Garantie abgedeckt.
21. Entfernen Sie niemals das Gehäuse dieses Gerätes.
22. Stellen Sie dieses Gerät niemals auf andere elektrische Geräte.
23. Halten Sie Kinder von den Plastiktüten fern.
24. Benutzen Sie nur vom Hersteller spezifizierte Erweiterungen/Zubehörteile.
25. Lassen Sie alle Wartungs-/Reparaturarbeiten von qualifiziertem Servicepersonal ausführen. Reparatur/Wartung wird notwendig, wenn das Gerät in irgendeiner Weise wie beispielsweise am Netzkabel oder am Netzstecker beschädigt wurde oder wenn Flüssigkeit in das Gerät gelangt ist bzw. Gegenstände in das Gerät gefallen sind, das Gerät Regen oder Feuchtigkeit ausgesetzt war, es heruntergefallen ist oder nicht ordnungsgemäß funktioniert.
26. Langes Hören lauter Töne aus einem Musikgerät kann zu zeitweiligem oder permanentem Hörverlust führen.
27. Wenn zum Lieferumfang des Produkts ein Netzkabel oder ein Netzadapter gehört:
  - Wenn irgendwelche Probleme auftreten, trennen Sie das Gerät vom Stromnetz und setzen Sie sich anschließend mit einer qualifizierten Fachkraft in Verbindung.
  - Treten Sie nicht auf den Netzadapter und klemmen Sie ihn auch nicht ein. Seien Sie besonders im näheren Bereich des Netzsteckers und an der Stelle vorsichtig, an der das Netzkabel aus dem Gerät herausgeführt wird. Stellen Sie keine schweren Gegenstände auf den Netzadapter, da er dadurch beschädigt werden kann. Halten Sie das gesamte Gerät außerhalb der Reichweite von Kindern! Durch Spielen mit dem Netzkabel können sie sich ernsthafte Verletzungen zuziehen.
  - Trennen Sie das Gerät während eines Gewitters oder bei längerer Nichtbenutzung vom Stromnetz.
  - Die Netzsteckdose muss sich in der Nähe des Gerätes befinden und einfach zu erreichen sein.
  - Überlasten Sie Steckdosen und Verlängerungsleitungen nicht. Eine Überlastung kann zu Brandgefahr bzw. Stromschlag führen.
  - Geräte der Schutzklasse 1 müssen Sie an eine Netzsteckdose mit Schutzleiter anschließen.
  - Geräte der Schutzklasse 2 benötigen keinen Schutzleiteranschluss.
  - Greifen Sie beim Abziehen von der Netzsteckdose am Netzstecker. Ziehen Sie ihn nicht durch Zerren am Kabel heraus. Das kann zu einem Kurzschluss führen.
  - Verwenden Sie weder ein beschädigtes Netzkabel noch einen beschädigten Netzstecker oder eine lockere Steckdose. Missachtung kann zu Brand oder Stromschlag führen.
28. Wenn das Produkt mit einer Fernbedienung mit Batterien/Knopfzellen geliefert wird oder das Produkt eine derartige Fernbedienung umfasst:
 

Warnung:

  - Die Batterie nicht verschlucken – Verätzungsgefahr.
  - Die mit diesem Produkt gelieferte Fernbedienung enthält eine Knopfzelle. Das Verschlucken der Batterie kann innerhalb von nur 2 Stunden zu schwersten inneren Verbrennungen mit Todesfolge führen.
  - Halten Sie neue und gebrauchte Batterien von Kindern fern.
  - Falls sich das Batteriefach nicht richtig schließen lässt, stellen Sie die Benutzung des Gerätes ein und halten Sie es von Kindern fern.
  - Wenn Sie vermuten, dass Batterien verschluckt oder in eine Körperöffnung eingeführt worden sind, suchen Sie umgehend eine(n) Ärztin/Arzt auf.
29. Warnhinweise bzgl. der Verwendung von Batterien:
  - Es besteht Explosionsgefahr, wenn die Batterie nicht ordnungsgemäß ersetzt wird. Tauschen Sie die Batterie nur gegen eine Batterie des gleichen Typs aus.
  - Die Batterie darf während der Benutzung, Aufbewahrung oder des Transports weder sehr hohen oder sehr niedrigen Temperaturen noch niedrigem Luftdruck in großen Höhenlagen ausgesetzt werden.
  - Die Auswechslung der Batterie mit einem falschen Batterietyp kann zum Explodieren der Batterie oder zum Entweichen von entflammbarem Gas oder Auslaufen von entflammbarer Flüssigkeit aus der Batterie führen.
  - Die Entsorgung der Batterie in Feuer oder einem heißen Ofen oder das mechanische Zerkleinern oder Zerteilen der Batterie kann zu Explosionen führen.
  - Das Verbleiben der Batterie in einer Umgebung mit sehr hohen Temperaturen kann zum Explodieren der Batterie oder zum Entweichen von entflammbarem Gas oder zum Auslaufen von entflammbarer Flüssigkeit aus der Batterie führen.



- Eine einem sehr niedrigen Luftdruck ausgesetzte Batterie kann explodieren oder es kann aus einer einem sehr niedrigen Luftdruck ausgesetzten Batterie entflammbares Gas entweichen oder entflammbare Flüssigkeit auslaufen.
- Legen Sie besonderes Augenmerk auf den ökologischen Aspekt der Batterieentsorgung.

#### **INSTALLATION**

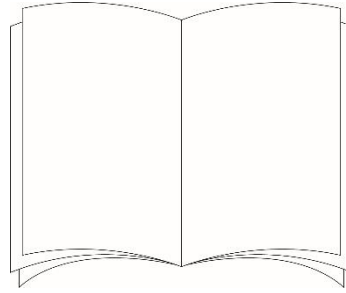
- Packen Sie alle Teile aus und entfernen Sie danach die Schutzmaterialien.
- Schließen Sie das Gerät erst an das Stromnetz an, nachdem Sie die Netzspannung überprüft haben und alle anderen notwendigen Anschlüsse hergestellt sind.

## Zubehör

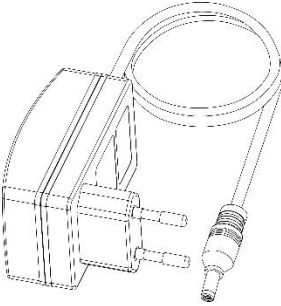
- Fernbedienung



- Bedienungsanleitung

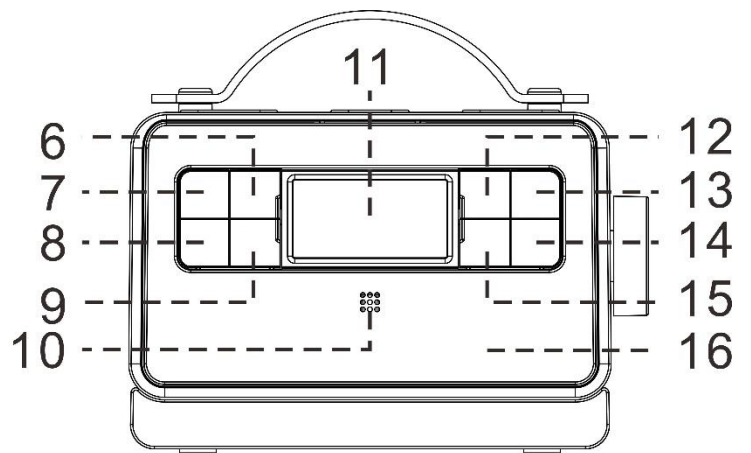
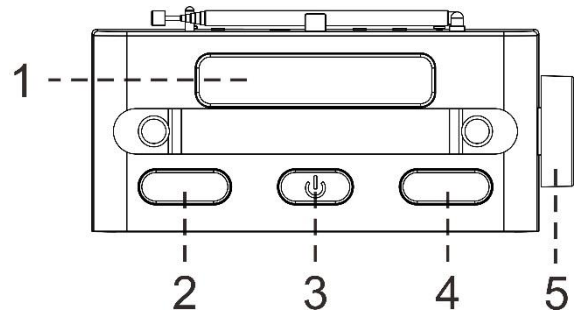


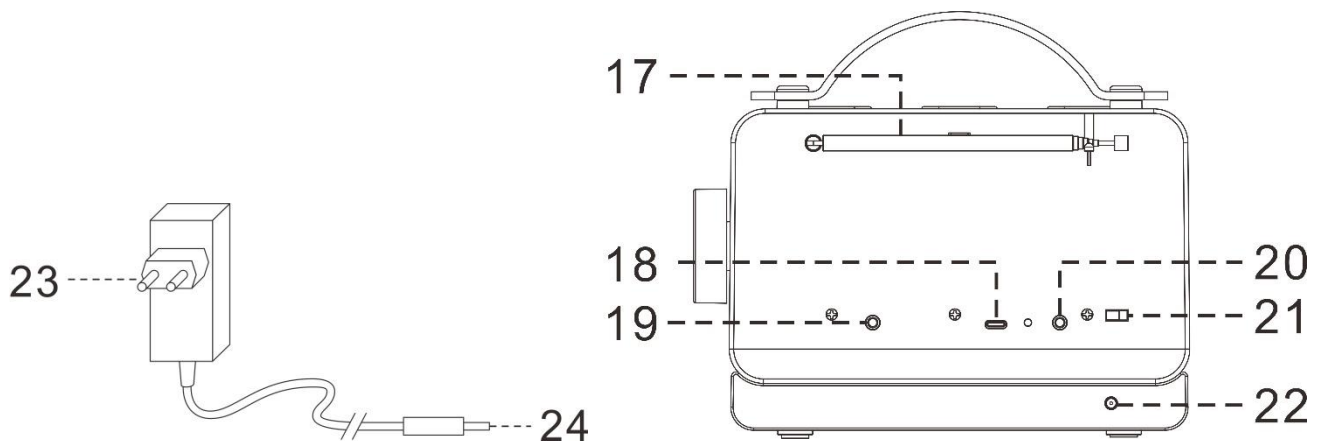
- Netzteil



## BEDIENELEMENTE IM ÜBERBLICK

- 1) Fernbedienung / Handyhalterung
- 2) Menü/Schlummer-Taste
- 3) Ein/Aus-Taste
- 4) Einstellen + / - Taste
- 5) Lautstärkeknopf
- 6) Scan-Taste
- 7) Modus-Taste
- 8) Eingabetaste
- 9) Info-Taste
- 10) Fernbedienungssensor
- 11) LCD-Display
- 12) Taste für Senderspeicherung Nr. 1
- 13) Taste für Senderspeicherung Nr. 2
- 14) Taste für Senderspeicherung Nr. 3
- 15) Taste für Senderspeicherung Nr. 4
- 16) Lautsprecher
- 17) FM-Antenne
- 18) Typ-C-Buchse
- 19) 3,5-mm-Kopfhörerbuchse
- 20) Line-out-Buchse
- 21) Einfach-Normal-Modus-Schalter
- 22) DC-Buchse der Dockingstation für das Ladegerät
- 23) AC/DC-Netzteil
- 24) DC-Stecker





### Vorsicht:

Die Verwendung anderer als der hier angegebenen Bedienelemente oder Verfahren kann zu einer gefährlichen Strahlenbelastung führen.

Dieses Gerät darf nur von qualifiziertem Servicepersonal eingestellt oder repariert werden.

### Wichtig:

Da die empfindlichen Schaltkreise Störungen bei einem Radiotuner in der Nähe verursachen können, schalten Sie das Gerät aus, wenn Sie andere Funkgeräte betreiben.

**Aufgrund der Komplexität der MCU-Steuerung ziehen Sie bitte den Netzstecker des Geräts, wenn das Gerät während des Betriebs anhält! Es handelt sich nicht um eine Fehlfunktion des Systems!**

### Vorsichtsmaßnahmen für den Betrieb

---

#### Installation

1. Packen Sie alle Teile aus und entfernen Sie danach die Schutzmaterialien.
2. Schließen Sie das Gerät erst an das Stromnetz an, nachdem Sie die Netzspannung überprüft haben und alle anderen notwendigen Anschlüsse hergestellt sind.
3. Decken Sie keine Lüftungsöffnungen ab und achten Sie darauf, dass um das Gerät herum ein Freiraum von einigen Zentimetern für die Belüftung vorhanden ist.

#### Anschlüsse

---

1. Stecken Sie den DC-Stecker (24.) in die DC-Buchse (22.) der Ladedockstation und verbinden Sie dann den AC/DC-Adapter (23.) mit der Netzsteckdose.
2. Stellen Sie das Hauptgerät zum Aufladen auf die Ladedockstation.
3. Schalten Sie das Gerät durch Drücken der Ein/Aus-Taste (3.) ein. Wenn das LCD-Display mit Text angezeigt wird, bedeutet dies, dass die Stromversorgung normal ist. Jetzt ist Ihr System bereit für die Musikwiedergabe.
- 4.

#### Hinweise:

1. Um die Lebensdauer der eingebauten wiederaufladbaren Batterie zu schützen, schaltet sich das Gerät nach dem Ausschalten aus, wenn es nicht mit der Ladestation verbunden ist. Es ist außerdem nicht möglich, das Gerät per Fernbedienung einzuschalten, wenn die Verbindung zwischen Gerät und Ladestation getrennt wird. Drücken Sie die Ein/Aus-Taste (3.) des Hauptgeräts, um das Gerät in diesem Fall einzuschalten.
2. Es wird empfohlen, das Gerät für den Heimgebrauch an die Ladestation anzuschließen. So kann das Gerät nach dem Ausschalten im Standby-Modus verbleiben und Sie können die Fernbedienung verwenden

## Uhrzeit und Datum einstellen

Die Uhr wird mit der RDS/DAB-Uhr synchronisiert, sobald sie das RDS/DAB-Signal empfängt, wenn die Uhr nicht vorher eingestellt wurde.

Führen Sie die folgenden Schritte aus, um die Uhrzeit und das Datum manuell einzustellen.

- Schalten Sie das Gerät durch Drücken der Ein/Aus-Taste (3.) ein und drücken Sie dann die Mode-Taste (7.), um den FM- oder DAB-Modus auszuwählen.
- Drücken Sie die MENU-Taste (2.), wählen Sie <System> aus, indem Sie die Tasten Einstellen + / - (4) drücken, und drücken Sie zur Bestätigung die ENTER-Taste (8.)
- Auf dem Display wird <Time> (<Zeit>) angezeigt. Drücken Sie die ENTER-Taste (8.), um die Einstellung aufzurufen.
- Auf dem Display wird <Set time/Date> (<Zeit/Datum einstellen>) angezeigt. Drücken Sie die ENTER-Taste (8.), um die Einstellung aufzurufen.
- Stellen Sie die Stunden und Minuten mit der Taste Einstellen + / - (4) ein und drücken Sie die ENTER-Taste (8.) zur Bestätigung.
- Die Anzeige wechselt zu „Set date 1-1-2020“ („Datum einstellen 1-1-2020“). Stellen Sie Tag/Monat/Jahr mit der Taste Einstellen + / - (4) ein und drücken Sie die ENTER-Taste(8.) zur Bestätigung.
- Auf dem Display wird <Time saved> (<Zeit gespeichert>) angezeigt. Dies bedeutet, dass die Uhrzeit und das Datum erfolgreich gespeichert wurden.
- Unter der Einstellung <System> <Time> (<System> <Zeit>) können Sie auch das Stunden-/Datumsformat einstellen.

Bitte nutzen Sie die nachstehende Aufschlüsselung des Menüs als Referenz zur Bedienung.

Drücken Sie die Tasten Einstellen + / - (4) zur Auswahl und drücken Sie die ENTER-Taste (8.) zur Eingabe/Bestätigung.

Drücken Sie die MENU-Taste (2.) erneut, um die Einstellung zu verlassen.

<System> (<System>)	<Time> (<Zeit>)	<Set time/Date> (<Set time/Date>)	Befolgen Sie die Anweisung „Uhrzeit und Datum einstellen“.
		<Auto update> (<Auto-Update>)	Update from Any (Von allen aktualisieren) (Das System aktualisiert automatisch die Uhrzeit und das Datum, sobald es das RDS/DAB-Signal empfängt)
			Update from DAB (Von DAB aktualisieren) (Das System aktualisiert automatisch die Uhrzeit und das Datum, sobald es das DAB-Signal empfängt)
			Update from FM (Von FM aktualisieren) (Das System aktualisiert automatisch die Uhrzeit und das Datum, sobald es das RDS-Signal empfängt)
			No update (Keine Aktualisierung) (Wählen Sie diese Einstellung, um die Uhrzeit und das Datum manuell einzustellen)
		<Set 12/24 hour> (<12/24 Stunden einstellen>)	24 Stunden einstellen
			12 Stunden einstellen
		<Set date format> (<Datumsformat einstellen>)	DD-MM-YYYY (TT-MM-JJJJ)
			MM-DD-YYYY (MM-TT-JJJJ)

- Die voreingestellte Zeit wird vollständig zurückgesetzt, wenn die Hauptstromversorgung unterbrochen wird. Es wird empfohlen, das System in den Standby-Modus zu schalten, um die Bedienung zu erleichtern.

## Radiohören

---

### FM-Betrieb

#### Manuelles Einstellen

1. Schalten Sie das Gerät durch Drücken der Ein/Aus-Taste (3.) ein und drücken Sie dann die Mode-Taste (7.), um den FM-Modus auszuwählen.
2. Drücken Sie die Taste Einstellen + / - (4), um den gewünschten Sender einzustellen.
3. Drehen Sie den Lautstärkereglern (5.), um die gewünschte Lautstärke einzustellen.

#### Automatisches Einstellen

1. Halten Sie die Taste Einstellen + / - (4) eine Weile gedrückt und lassen Sie die Taste dann los. Das Gerät beginnt mit dem Suchlauf nach oben oder unten, bis ein Radiosender empfangen wird.
2. Drehen Sie den Lautstärkereglern (5.), um die gewünschte Lautstärke einzustellen.

#### Hinweise zum Empfang:-

Ziehen Sie die Teleskopantenne für einen optimalen Empfang aus.

#### FM-Scan-Einstellung

Wenn nach der automatischen Abstimmung zu viele unerwünschte schwache Radiosender empfangen werden, können Sie nur starke Sender auswählen, indem Sie die schwächeren **Signale** herausfiltern.

1. Drücken Sie im FM-Modus die MENU-Taste (2.) Auf dem Display <Scan setting> (<Scan-Einstellung>) angezeigt wird, und drücken Sie dann die ENTER-Taste (8.).
2. Drücken Sie die Taste Einstellen + / - (4), um „Strong station only“ („Nur starke Sender“) auszuwählen. Drücken Sie dann die Taste OK/ENTER (8.), um die Einstellung zu bestätigen.
3. Führen Sie den automatischen Sendersuchlauf erneut wie oben beschrieben durch.

#### FM Mono & FM-Stereo-Empfang

Standardmäßig werden alle Stereo-Sender in Stereo wiedergegeben. Bei schwachen Signalen kann dies zu einem schlechten Signal-Rausch-Verhältnis führen.

Um schwache Signale im Mono-Modus wiederzugeben, gehen Sie wie folgt vor, um zwischen Stereo- und Mono-Einstellung umzuschalten.

1. Drücken Sie die MENU-Taste (2.) und drücken Sie die Taste Einstellen + / - (4), um <Audio setting> (<Audioeinstellung>) auszuwählen. Drücken Sie dann zur Bestätigung die ENTER-Taste (8.).
2. Drücken Sie die Taste Einstellen + / - (4), um <Forced mono> (<Mono erzwingen>) auszuwählen. Drücken Sie dann die ENTER-Taste (8.), um die Einstellung zu bestätigen.
3. Wenn Sie auf Stereosignale umschalten möchten, gehen Sie genauso vor, wählen aber <Stereo allowed> (<Stereo erlaubt>).

#### Audioeinstellung:

1. Drücken Sie die MENU-Taste (2) und dann die Taste Einstellen + / - (4), um „Audio setting“ („Audioeinstellung“) auszuwählen. Drücken Sie dann zur Bestätigung die ENTER-Taste (8.).
2. Drücken Sie die Taste Tune +/- (4), um „Force mono“ („Mono erzwingen“) auszuwählen, und drücken Sie dann zur Bestätigung die ENTER-Taste (8.).

#### Hinweise für einen optimalen Empfang:-

FM: Der Empfänger verfügt über eine Stabantenne (17.) an der Gehäuserückseite. Diese Antenne sollte für einen optimalen Empfang vollständig aufgerollt und ausgezogen werden.

#### Radio-Daten-System (RDS)

Diese Funktion zeigt die Informationen aus dem Radioprogramm an und wird auf dem LCD-Display schrittweise wie unten beschrieben angezeigt, wenn Sie die Info-Taste (9.) kontinuierlich drücken.

Radio text (Radiotext) → program type (Programmtyp) → frequency (Frequenz) → mono/stereo (Mono/Stereo) → time (Zeit) → date (Datum)

### **Gespeicherte Sender**

Sie können bis zu 10 FM-Sender im Speicher ablegen

1. Stellen Sie den gewünschten Radiosender mit der manuellen oder automatischen Suchlaufmethode ein.
2. Halten Sie die Voreinstellungstaste auf der Fernbedienung 2-3 Sekunden lang gedrückt. Auf dem Display erscheint „Preset Store“ („Voreinstellungsspeicher“) <1: (Empty) (Leer)>.
3. Drücken Sie dann die Taste Einstellen + / - am Gerät oder auf der Fernbedienung, um die gewünschte Voreinstellungsspeichernummer auszuwählen.
4. Drücken Sie die ENTER-Taste, um den Speicherplatz (1-10) zu speichern. Auf dem Display wird „Preset ‚X‘ stored“ („Voreinstellung ‚X‘ gespeichert“) angezeigt.

### **Hinweise:**

1. Wenn der voreingestellte Sender bereits gespeichert ist, wird auf dem Display die Frequenz neben dem voreingestellten Sender angezeigt, z. B.:<1: 94.50MHz >.
2. Der voreingestellte Sender wird überschrieben, wenn ein neuer Radiosender gespeichert wird.
3. Die aktuellen Sender 1, 2, 3, 4 können direkt gespeichert werden, indem Sie den gewünschten Radiosender auswählen und die Taste (12.), (13.), (14.) oder (15) am Hauptgerät gedrückt halten.

### **Abrufen des Voreinstellungsspeichers:**

1. Drücken Sie die Voreinstellungstasten auf der Fernbedienung, um den voreingestellten Sender direkt aufzurufen.
2. Für den voreingestellten Sender Nr. 1 Taste (12) / Nr. 2 (13.) / Nr. 3 (14.) / Nr. 4 (15.) am Hauptgerät, um diese drei voreingestellten Sender direkt aufzurufen. Drücken Sie die Taste MENU (2) und dann die Taste Einstellen + / - (4), um „Preset Recall“ („Voreinstellung abrufen“) auszuwählen.
3. Auf dem Display werden die Frequenz des voreingestellten Senders und die Nummer des voreingestellten Speichers (P1, P2, P3... usw.) angezeigt.

### **Digitales Audio-Broadcasting (DAB) Radio**

1. Schalten Sie das Gerät durch Drücken der Ein/Aus-Taste (3.) ein und drücken Sie dann die Mode-Taste (7.), um den DAB-Modus auszuwählen.
2. Das Gerät sucht automatisch nach allen verfügbaren Sender im DAB-Modus.
3. Oder drücken Sie einmal die MENU-Taste (2.). Auf dem Display wird < Full scan > (< Vollständiger Suchlauf >) angezeigt. Drücken Sie zur Bestätigung die ENTER-Taste (8.). Das Gerät startet einen vollständigen Suchlauf und speichert alle empfangenen Sender nach dem Suchlauf in der Senderliste.
4. Drücken Sie die Taste Einstellen + / - (4), um den gewünschten DAB-Kanal auszuwählen, und drücken Sie dann die ENTER-Taste (8.), um den ausgewählten Kanal zu bestätigen.
5. Drehen Sie den Lautstärkereglern (5.), um die gewünschte Lautstärke einzustellen.
6. Drücken Sie die Info-Taste kontinuierlich, um die folgenden von DAB ausgegebenen Informationen zu überprüfen.

Signal strength (Signalstärke) → program type (Programmtyp) → Group name (Gruppenname) → frequency (Frequenz) → signal error (Signalfehler) → transfer rate (Übertragungsrate) → time (Zeit) → date (Datum)

### **Manuell abstimmen**

1. Schalten Sie das Gerät durch Drücken der Ein/Aus-Taste (3.) ein und drücken Sie dann die Mode-Taste (7.), um den DAB-Modus auszuwählen.
2. Drücken Sie die MENU-Taste (2.) und dann die Taste Einstellen - (4.). Auf dem Display wird < Manual tune > (< Manuelles Einstellen >) angezeigt.
3. Drücken Sie zur Bestätigung die ENTER-Taste (8.). Auf dem Display werden die DAB-Kanäle angezeigt.
4. Drücken Sie die Taste Einstellen + / - (4), um durch die DAB-Kanäle zu blättern, und drücken Sie die ENTER-Taste (8.), um den Kanal einzugeben.
5. Drehen Sie den Lautstärkereglern (5.), um die gewünschte Lautstärke einzustellen.

### **Anzeigeinformationen**

Diese Funktion zeigt die Informationen aus dem Radioprogramm an und wird auf dem LCD-Display schrittweise wie unten beschrieben angezeigt, wenn Sie die Info-Taste (9.) kontinuierlich drücken.  
Radio text (Radiotext) → program type (Programmtyp) → frequency (Frequenz) → mono/stereo (Mono/Stereo) → time (Zeit) → date (Datum)

### **DRC-Wert (Dynamic Range Control)**

Sie können den Komprimierungspegel des Senders einstellen, um die Unterschiede im Dynamikbereich oder im Tonpegel zwischen den Radiosendern zu beseitigen.

1. Einstellen im DAB-Modus. Drücken Sie die MENU-Taste (2.) und dann die Taste Einstellen + / - (4), um < DRC > auszuwählen. Drücken Sie die ENTER-Taste (8.), um die Einstellung zu bestätigen.
2. Drücken Sie die Taste Einstellen + / - (4), um den gewünschten DRC-Pegel auszuwählen, und drücken Sie dann die ENTER-Taste (8.), um Ihre Auswahl zu bestätigen.

### **Radiosendersortierung**

1. Einstellen im DAB-Modus. Drücken Sie die Taste MENU (2.) und dann die Taste Einstellen + / - (4.), um < Station order > (<Sendereihenfolge >) auszuwählen. Drücken Sie die ENTER-Taste (8.), um die Einstellung zu bestätigen.
2. Drücken Sie die Taste Einstellen + / - (4), um zwischen „Alphanumeric“ („Alphanumerisch“) und „Ensemble“ („Ensemble“) zu wählen, und drücken Sie dann die ENTER-Taste (8.), um Ihre Auswahl zu bestätigen.

### **Inaktive Sender ausblenden**

1. Einstellen im DAB-Modus. Drücken Sie die MENU-Taste (2.) und dann die Taste Einstellen + / - (4), um < Prune > (<Ausblenden>) auszuwählen. Drücken Sie die ENTER-Taste (8.), um die Einstellung zu bestätigen.
2. Wählen Sie mit der Taste S Einstellen + / - (4) die Option „Yes“ („Ja“) und drücken Sie dann zur Bestätigung die ENTER-Taste (8.).

### **Gespeicherte Sender**

Sie können bis zu 10 DAB-Sender im Speicher abspeichern. Die Schritte zur Einstellung sind dieselben wie bei FM.

### **Systemeinstellungen**

Einstellen im FM- oder DAB-Modus. Drücken Sie die MENU-Taste (2.) und dann die Taste Einstellen + / - (4), um < System > zu wählen. Drücken Sie die ENTER-Taste (8.), um die Einstellungen für Uhrzeit, Hintergrundbeleuchtung, inaktiven Standby-Modus und Sprachen vorzunehmen.

Drücken Sie die Tasten Einstellen + / - (4) zur Auswahl und drücken Sie die ENTER-Taste (8.) zur Eingabe/Bestätigung.

Drücken Sie die MENU-Taste (2.) erneut, um die Einstellung zu verlassen.

Uhrzeit

- Siehe den Abschnitt „Uhrzeit und Datum einstellen“

<System> (<System>)	<Backlight> (Hintergrundbeleuchtung )	<Timeout> (Ausschaltzeit ):	So stellen Sie die Dauer ein, nach der die Helligkeit der Hintergrundbeleuchtung im Standby-Modus von der Stufe On (Ein) auf die Stufe Dim (Dimmen) wechselt. <10 sec>, <20 sec>, <30 sec>, <45 sec>, <60 sec>, <90 sec>, <120 sec>, <180 sec>, <ON> (<10 s>, <20 s>, <30 s>, <45 s>, <60 s>, <90 s>, <120 s>, <180 s>, <EIN>)
		<On level> (<Stufe An>)	Die Helligkeit der Hintergrundbeleuchtung im Modus ON (AN) (Betrieb) <High>, <Medium>, <Low> (<Hoch>, <Mittel>, <Niedrig>)
		<Dim level> (<Stufe Dimmen>)	Die Helligkeit der Hintergrundbeleuchtung im Standby-Modus <High>, <Medium>, <Low> (<Hoch>, <Mittel>, <Niedrig>)
<System> (<System>)	<Inactive Standby> (<Inaktiver Standby>)	<OFF>, <2 hour>, <4 hour>, <5 hour>, <6 hour> (<Aus>, <2 Stunden>, <4 Stunden>, <5 Stunden>, <6 Stunden>)	
<System> (<System>)	<Language> (Sprache)	„English“, „Español“, „Français“, „Italiano“, „Nederlands“, „Norsk“, „Polski“, „Suomi“, „Dansk“, „Deutsch“.	
<System> (<System>)	<Factory Reset> (Rücksetzen auf Werkseinstellungen)	Nach dem Zurücksetzen auf die Werkseinstellungen werden alle voreingestellten Sender und die Spracheinstellungen gelöscht, und das Gerät wird auf seine normalen Werkseinstellungen zurückgesetzt. <Yes>, <No> (<Ja>, <Nein>)	
<System> (<System>)	<Software Upgrade> (<Software-Aktualisierung >)	<Yes>, <No> (<Ja>, <Nein>)	
<System> (<System>)	<SW Version> (<SW-Version>)	So prüfen Sie die Softwareversion	

**Bluetooth-Verbindung und -Wiedergabe**

1. Schalten Sie das Gerät durch Drücken der Ein/Aus-Taste (3.) ein und drücken Sie dann die Mode-Taste (7.), um den Bluetooth-Modus auszuwählen.
2. Auf dem LCD-Display wird „Bluetooth“ angezeigt. Das bedeutet, dass sich das Bluetooth im Suchmodus befindet.
3. Schalten Sie die Bluetooth-Funktion Ihres Bluetooth-Geräts (z. B. Handy) ein und wählen Sie das Bluetooth-Gerät „Lenco PDR-065“ aus, um sich damit zu verbinden.
4. Nach erfolgreicher Verbindung wird auf dem LCD-Display „BT Connected“ („BT verbunden“) angezeigt.
5. Starten Sie die Wiedergabe von Ihrem Bluetooth-Gerät und genießen Sie die Musik.
6. Drehen Sie den Lautstärkereglern (5.), um die gewünschte Lautstärke einzustellen.
7. Drücken Sie die Taste Nach oben springen ►► oder Nach unten springen ◄◄ Ihres Bluetooth-Geräts drücken, um die Musikwiedergabe zu steuern.




8. Um die Bluetooth-Verbindung zu trennen, drücken Sie die Mode-Taste (7.), um in einen anderen Modus zu wechseln, oder schalten Sie die Bluetooth-Funktion Ihres Bluetooth-Geräts aus. Auf dem LCD-Display wird erneut „Bluetooth“ angezeigt. Sie können jetzt ein neues Gerät koppeln oder das Gerät ausschalten. Wiederholen Sie die oben beschriebenen Schritte 3-5, um ein weiteres Bluetooth-Gerät zu verbinden.

## Weitere Funktionen

### A. Einstellung des Weckers

Mit dieser Funktion kann sich das System automatisch einschalten und Sie mit einem Summer, FM- oder DAB-Modus aufwecken. Stellen Sie das System auf den DAB / FM-Modus ein und drücken Sie die MENU-Taste (2.). Wählen Sie <System> aus, indem Sie die Taste Einstellen + / - (4) drücken, und bestätigen Sie mit der ENTER-Taste (8.). Wählen Sie mit der Taste Einstellen + / - (4) die Option <Alarm> aus und drücken Sie die ENTER-Taste (8.), um in den Timer-Einstellmodus zu wechseln. Auf der LCD-Anzeige erscheint die Timer-Einschaltzeit. Außerdem blinkt die Stundenanzeige der Timer-Uhr. Dies zeigt, dass das Gerät bereit ist, in den Timer-Einstellmodus zu wechseln.

- 1) Alarm 1 Set up (Alarm 1 Einstellen) : Drücken Sie die Alarmtaste, um die Einstellung von Alarm 1 zu wählen. Drücken Sie die OK-Taste, um die Einstellung zu starten.
- 2) On time setting (Einstellung der Einschaltzeit) : Sobald Sie den Alarm eingestellt haben, blinken die Stundenziffern. Drücken Sie die + / - Taste, um die Stunde einzustellen und bestätigen Sie die Stunde mit der Eingabetaste.  
Die Minutenziffern blinken. Drücken Sie die + / - Taste, um die Minute einzustellen und bestätigen Sie die Minute mit der Eingabetaste.
- 3) Duration (Dauer) : Drücken Sie dann die Taste + / -, um die Dauer des Alarms wie folgt auszuwählen: 15, 30, 45, 60, 90, 120 (Minuten).  
Drücken Sie die Taste Einstellen + / - (4), um den Timer-Einschaltmodus zu wählen. Drücken Sie dann die ENTER-Taste (8), um den Timer-Einschaltmodus zu speichern.
- 4) Source (Quelle) : Drücken Sie die Aufwärts-/Abwärtstaste, um den Weckmodus wie folgt zu wählen: Summer, FM, DAB.  
FM/DAB: Sie können zwischen dem zuletzt gehörten Sender und der voreingestellten Senderliste wählen.  
Drücken Sie die Taste + / - zur Auswahl und dann die Taste OK, um die Einstellung zu bestätigen.
- 5) Frequency (Frequenz) : Sie können die Weckfrequenz wie folgt wählen: Daily, Once, Weekends, Weekdays (Täglich, Einmal, Wochenende, Wochentage)  
Wenn Sie Once (Einmal) wählen, müssen Sie das Datum des Alarms bestätigen.  
Drücken Sie die Taste Einstellen + / - (4), um die Timer-Lautstärke auszuwählen und drücken Sie die ENTER-Taste (8), um die Timereinstellung abzuschließen. Das Gerät kehrt in den Standby-Modus zurück und auf dem Display wird das Timer-Symbol „⌚“ angezeigt.
- 6) Alarm on / off (Alarm ein/aus) : Drücken Sie die Taste + / -, um den Alarm ein- oder auszuschalten, und drücken Sie dann die Eingabetaste, um die Einstellung zu bestätigen.  
Sobald der Alarm eingeschaltet ist, wird das Alarmsymbol  auf dem Display angezeigt.  
Wenn der Alarm ausgeschaltet wird, wird das Alarmsymbol dagegen ausgeblendet.

**Hinweis: –**

- Bei der FM/DAB-Weckfunktion stellt sich das System auf die zuletzt gehörte Radiofrequenz ein, bevor es sich ausschaltet.
- Wenn die Weckfunktion über einen Summer aktiviert ist, gibt das Gerät zur gewählten Zeit einen „Piep-Piep“-Ton ab.
- Die Weckzeit beträgt ca. 4 Sekunden. Anschließend kehrt das System automatisch in den normalen Modus zurück, wenn in dieser Zeitspanne keine Tasten gedrückt werden.

**Der Alarm funktioniert nur, wenn das Gerät auf der Akku-Dockingstation positioniert und angeschlossen ist!**

**B. SNOOZE (SCHLUMMERN)**

Drücken Sie die Schlummern-Taste am Gerät einmal, um den Alarm jedes Mal um 5 Minuten zu verlängern.

**C. Verwendung von Kopfhörern**

Stecken Sie den Stecker Ihrer Kopfhörer in die Kopfhörerbuchse, um Radio ungestört zu hören.

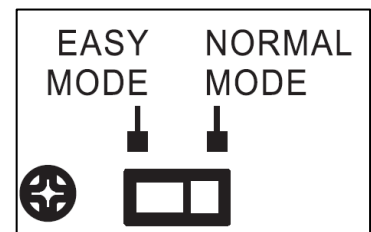
**LESEN SIE DIESE WICHTIGEN INFORMATIONEN, BEVOR SIE IHRE KOPFHÖRER BENUTZEN**

- 1) Vermeiden Sie eine längere Wiedergabe bei sehr hoher Lautstärke, da dies Ihr Gehör beschädigen kann.
- 2) Wenn Sie ein Klingeln in den Ohren bemerken, reduzieren Sie die Lautstärke oder schalten Sie das Gerät aus.
- 3) Stellen Sie die Lautstärke so ein, dass Sie die Außengeräusche noch hören können.

**D. Einfach-Normal-Modus-Schalter**

Dieses System verfügt über einen eingebauten Einfach-Normal-Modus-Schalter auf der Rückseite. Wenn Sie in den einfachen Modus wechseln, wird die Benutzeroberfläche des Geräts so vereinfacht, dass es auch für Senioren leicht zu bedienen ist.

Schieben Sie den Einfach-Normal-Modus-Schalter in die Position Easy-Modus (Einfacher Modus). Nur die Tasten Ein/Aus (3), Voreinstellung 1 - 4 (12 - 15) und Lautstärkereger (5) sind noch in Betrieb. Die anderen Tasten werden abgeschaltet.



EN	DE
EASY MODE	EINFACHER MODUS
NORMAL MODE	NORMALER MODUS

Information	Hinweis:	
Name des Herstellers oder der Handelsmarke, kommerzielle Zulassung und Anschrift	–	Shenzhen ABP Technology Co. Ltd. Adresse: 2 <sup>nd</sup> floor, B2 Building, Xin hao sheng Industrial zone, Yonghe Road, Qiaotou, Fuhai Street, Bao an District, Shenzhen City, Guangdong 518103, P.R. China
Modellidentifikator	–	AD0181-0552500GB

Eingangsspannung	Wird vom Hersteller angegeben. Sollte ein Wert oder ein Bereich sein.	100 – 240 V
Wechselstromfrequenz des AC-Eingangs	Wird vom Hersteller angegeben. Sollte ein Wert oder ein Bereich sein	50/60 Hz
Ausgangsspannung	Auf dem Typenschild angegebene Ausgangsspannung. Sollte angeben, ob es sich um Wechsel- oder Gleichstrom handelt.	5,5 V
Ausgangsstrom	Auf dem Typenschild angegebener Ausgangsstrom.	2,5 A
Ausgangsleistung	Auf dem Typenschild angegebene Ausgangsleistung.	13,75 W
Durchschnittliche Effizienz bei Normallast	Vom Hersteller auf der Grundlage des als arithmetisches Mittel der Wirkungsgrade bei den Lastbedingungen 1-4 berechneten Wertes angegeben.	87,403 %
Effizienz bei Niederlast (10 %)	Vom Hersteller auf der Grundlage des bei der Lastbedingung 5 berechneten Wertes angegeben. Externe Netzteile mit der auf dem Typenschild angegebenen Ausgangsleistung von 10 W oder weniger sind von dieser Anforderung ausgenommen.	71,9 %
Leistungsaufnahme bei Nulllast	Vom Hersteller auf der Grundlage des bei der Lastbedingung 6 gemessenen Wertes angegeben.	≤0,1 W

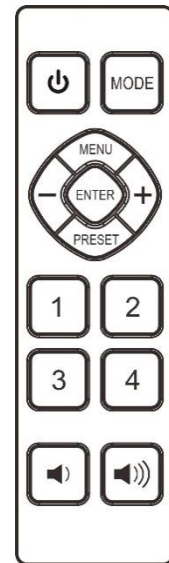
## Fernbedienungssender

### Batterieinstallation (Batterie nicht mitgeliefert)

Der Infrarotsender benötigt zum Betrieb 2 Stück Batterien der Größe AAA

#### Tastenbeschreibung

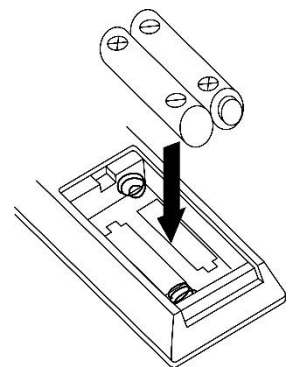
Einschalten/Standby	Drücken Sie diese Taste, um das System einzuschalten bzw. in den Standby-Modus zu wechseln
Modus	Drücken Sie diese Taste, um die Funktionsmodi auszuwählen
Menü	Drücken Sie diese Taste, um die Menüeinstellungen aufzurufen
- / +	Drücken Sie diese Taste, um die Optionen auszuwählen
EINGABE	Drücken Sie diese Taste, um die Einstellung zu bestätigen
Voreinstellung	Drücken Sie diese Taste, um den voreingestellten FM/DAB-Radiosender zu wählen.
Voreinstellung Nr. 1 - 4	Drücken Sie diese Tasten, um den voreingestellten FM-/DAB-Sender direkt aufzurufen
Lauter/Leiser	Drücken Sie diese Taste, um die Lautstärke einzustellen



### EINLEGEN DER BATTERIE

Das Batteriefach befindet sich auf der Rückseite der Fernbedienung.

1. Entfernen Sie die Abdeckung des Batteriefachs, indem Sie auf die Lasche drücken und sie abheben.
2. Legen Sie zwei (2) Batterien der Größe AAA (nicht im Lieferumfang enthalten) in das Batteriefach ein und beachten Sie dabei die Polaritätsmarkierungen im Batteriefach.
3. Bringen Sie die Abdeckung des Batteriefachs wieder an.



#### BATTERIEWARNUNG

1. Achten Sie darauf, dass die Batterien richtig eingelegt sind. Falsche Polarität kann das Gerät beschädigen.
2. Verwenden Sie nur die Batterien der angegebenen Größe und des angegebenen Typs.
3. Mischen Sie alte und neue Batterien nicht.
4. Mischen Sie keine Alkali-, Standard- (Zink-Kohle-) oder wiederaufladbare (Nickel-Cadmium)-Batterien.
5. Nehmen Sie die Batterien heraus, wenn das Gerät über einen längeren Zeitraum nicht benutzt werden soll. Alte oder auslaufende Batterien können das Gerät beschädigen und zum Erlöschen der Garantie führen.

6. Versuchen Sie nicht, Batterien aufzuladen, die dafür nicht vorgesehen sind, da sie sich überhitzen und platzen können. (Befolgen Sie die Anweisungen des Batterieherstellers).
7. Werfen Sie die Batterien nicht ins Feuer, da sie auslaufen oder explodieren können.

**HINWEIS: Aufgrund der Anforderungen der ERP-Stufe 2 und zum Schutz der Umwelt schaltet das Gerät automatisch in den Standby-Modus, wenn nach 15 Minuten keine Musik abgespielt wird.**

## **1. Garantie**

Commaxx B.V. bietet Leistungen und Garantien im Einklang mit Europäischem Recht. Setzen Sie sich deshalb im Falle von Reparaturen (sowohl während als auch nach Ablauf der Garantiezeit) mit Ihrem Fachhändler in Verbindung.

Wichtiger Hinweis: Es ist nicht möglich, Produkte für Reparaturen direkt an Commaxx B.V. zu schicken.

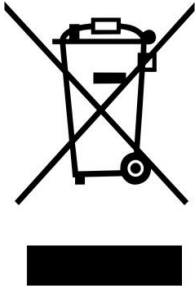
Wichtiger Hinweis: Wenn dieses Gerät aus welchem Grund auch immer durch ein nicht offizielles Servicezentrum geöffnet oder durch dieses Servicezentrum darauf zugegriffen wurde, erlischt die Garantie.

Dieses Gerät ist nicht für professionelle Zwecke geeignet. Falls das Gerät für professionelle Zwecke eingesetzt wird, erlöschen alle Garantieverpflichtungen seitens des Herstellers.

## **2. Haftungsausschluss**

Aktualisierungen der Firmware und/oder Hardware-Komponenten werden regelmäßig durchgeführt. Aus diesem Grund können einige der Anweisungen, Spezifikationen und Abbildungen in dieser Dokumentation von dem Ihnen vorliegenden Gerät geringfügig abweichen. Alle in diesem Handbuch beschriebenen Elemente dienen nur zur Illustration und treffen auf Ihre individuelle Situation möglicherweise nicht zu. Aus der in diesem Handbuch getätigten Beschreibung können keine Rechtsansprüche oder Leistungsanforderungen geltend gemacht werden.

### 3. Entsorgung des Altgeräts



Dieses Symbol zeigt an, dass das entsprechende Produkt oder dessen Akku/Batterie in Europa nicht mit dem normalen Hausmüll entsorgt werden darf. Um die ordnungsgemäße Abfallbehandlung des Produkts und dessen Akku/Batterie zu gewährleisten, müssen diese im Einklang mit allen anwendbaren örtlichen Vorschriften zur Entsorgung von Elektrogeräten und Akkus/Batterien entsorgt werden. Dadurch helfen Sie, natürliche Ressourcen zu schonen und Umweltschutzstandards zur Verwertung und Entsorgung von Altgeräten aufrecht zu halten (Richtlinie über Entsorgung Elektrischer und Elektronischer Altgeräte).

### 4. ÜBEREINSTIMMUNGSERKLÄRUNG

Hiermit erklärt Commaxx, dass der Funkanlagentyp [Lenco PDR-065] der Richtlinie 2014/53/EU entspricht. Der vollständige Text der EU-Konformitätserklärung ist unter der folgenden Internetadresse verfügbar:

[https://commaxx-certificates.com/doc/pdr-065\\_doc.pdf](https://commaxx-certificates.com/doc/pdr-065_doc.pdf)

Typ HF	Frequenzbereich (MHz)	Sendeleistung (dBm)
Bluetooth	2402-2480	< 6
DAB	174-240	-
FM	87.5-108	-

### 5. Service

Besuchen Sie bitte für weitere Informationen und unseren Kundendienst unsere Homepage [www.lenco.com](http://www.lenco.com)

Commaxx B.V. Wiebachstraat 37, 6466 NG Kerkrade, The Netherlands.

**ATTENTION :**

L'utilisation de commandes ou de réglages ou l'exécution de procédures autres que celles spécifiées dans ce manuel peut entraîner une exposition à des rayonnements dangereux.

**PRÉCAUTIONS AVANT UTILISATION****GARDEZ CES INSTRUCTIONS À L'ESPRIT :**

1. Ne couvrez pas et n'obtenez pas les ouvertures de ventilation. Lorsque l'appareil est placé sur une étagère, laissez un espace libre de 5 cm (2") tout autour.
2. L'installation doit être effectuée conformément au guide d'utilisation fourni.
3. Gardez l'appareil à l'écart des sources de chaleur telles que les radiateurs, les systèmes de chauffage, les cuisinières, les bougies et autres équipements générant de la chaleur ou une flamme nue. L'appareil ne doit être utilisé que dans un climat modéré. Les environnements extrêmement froids ou chauds doivent être évités. La température de fonctionnement doit se trouver entre 0 et 35 °C.
4. Évitez d'utiliser l'appareil à proximité de champs magnétiques puissants.
5. Des décharges électrostatiques peuvent perturber le fonctionnement normal de cet appareil. Dans ce cas, réinitialisez et redémarrez l'appareil en suivant le guide d'utilisation. Pendant le transfert de fichiers, manipulez l'appareil avec précaution dans un environnement privé d'électricité statique.
6. Avertissement ! N'introduisez jamais un objet dans l'appareil par les ouvertures et fentes de ventilation. Des tensions élevées sont présentes dans l'appareil, l'insertion d'un objet peut entraîner une électrocution ou court-circuiter certains composants. Pour les mêmes raisons, ne renversez pas d'eau ou de liquide sur l'appareil.
7. N'utilisez pas l'appareil dans des endroits humides tels qu'une salle de bain, une cuisine pleine de vapeur ou à proximité d'une piscine.
8. L'appareil ne doit pas être exposé à des écoulements ou des éclaboussures et aucun objet contenant un liquide, tel qu'un vase, ne doit être posé sur ou près de l'appareil.
9. N'utilisez pas cet appareil lorsque de la condensation est possible. Lorsque l'appareil est utilisé dans une pièce chaude et humide, des gouttelettes d'eau ou de la condensation peuvent se former à l'intérieur de l'appareil et affecter son fonctionnement adéquat. Si tel est le cas, laissez l'appareil hors tension pendant 1 ou 2 heures avant de le mettre en marche : l'appareil doit être sec avant toute remise en marche.
10. Cet appareil est fabriqué avec le plus grand soin et vérifié plusieurs fois avant de quitter l'usine, cependant il est toujours possible, comme pour tout appareil électrique, que des problèmes surviennent. Si l'appareil émet de la fumée ou s'il y a une accumulation de chaleur excessive ou un phénomène inattendu, débranchez immédiatement la fiche d'alimentation du secteur.
11. Cet appareil doit fonctionner avec la source d'alimentation indiquée sur la plaque signalétique. Si vous n'êtes pas sûr de votre type d'alimentation électrique, contactez le revendeur ou la compagnie d'électricité locale.
12. Gardez l'appareil à l'écart des animaux. Certains animaux aiment ronger les cordons d'alimentation.
13. Pour nettoyer l'appareil, utilisez un chiffon doux et sec. N'utilisez ni solvant ni liquide à base de pétrole. Pour enlever les taches tenaces, utilisez un chiffon humide imbibé d'une solution de détergent diluée.
14. Le fournisseur n'est pas responsable des dommages ou pertes de données causés par un dysfonctionnement, une utilisation abusive, une modification de l'appareil ou un remplacement de la batterie.
15. Ne coupez aucune connexion lorsque l'appareil effectue un formatage ou transfert de fichiers. Autrement, les données risquent d'être corrompues ou perdues.
16. Si l'appareil dispose d'une fonction de lecture USB, il faut brancher la clé USB directement sur l'appareil. N'utilisez pas de câble de rallonge USB, car cela peut provoquer des interférences susceptibles de causer la perte de données.
17. La plaque signalétique se situe en dessous ou à l'arrière de l'appareil.
18. Cet appareil n'est pas destiné à être utilisé par des personnes (enfants compris) souffrant de handicaps physiques, sensoriels ou mentaux, ou manquant d'expérience et de connaissances, sauf si elles sont sous surveillance ou ont reçu des instructions sur l'utilisation correcte de l'appareil par la personne responsable de leur sécurité.
19. Cet appareil est réservé à un usage non professionnel, et non pas à un usage commercial ou industriel.
20. Vérifiez que l'appareil est en position stable. La garantie ne couvre pas les dégâts occasionnés par l'utilisation de cet appareil en position instable, soumis à des vibrations ou chocs, ou par le non-respect de tout autre avertissement ou précaution contenus dans ce guide d'utilisation.
21. N'ouvrez jamais cet appareil.
22. Ne placez jamais cet appareil sur un autre appareil électrique.

23. Ne laissez pas les sacs en plastique à la portée des enfants.
24. N'utilisez que des pièces/accessoires recommandés par le fabricant.
25. Confiez tout entretien à un personnel de service qualifié. Une réparation est nécessaire lorsque l'appareil a été endommagé de quelque façon que ce soit, par exemple lorsque le cordon d'alimentation ou sa fiche est endommagée, lorsqu'un liquide a été renversé ou des objets ont été introduits dans l'appareil, lorsqu'il a été exposé à la pluie ou à l'humidité, ne fonctionne pas correctement ou s'il est tombé.
26. Une exposition prolongée à la musique avec un volume élevé peut entraîner une perte auditive temporaire ou permanente.
27. Si l'appareil est livré avec un câble d'alimentation ou un adaptateur secteur :
  - En cas de problème, débranchez le cordon d'alimentation secteur et confiez l'entretien à un personnel qualifié.
  - Ne marchez pas sur l'adaptateur secteur et ne le pincez pas. Faites très attention, en particulier lorsque vous êtes à proximité des fiches et du point de sortie du câble. Ne placez aucun objet lourd sur l'adaptateur secteur, il pourrait l'endommager. Gardez l'appareil hors de portée des enfants ! Les enfants pourraient se blesser gravement s'ils jouent avec le cordon d'alimentation.
  - Débranchez cet appareil pendant les orages ou lorsqu'il n'est pas utilisé pendant une longue durée.
  - La prise secteur doit être installée près de l'appareil et être facilement accessible.
  - Ne surchargez pas les prises de courant ou les rallonges. Une surcharge peut entraîner un incendie ou une électrocution.
  - Un appareil de classe 1 doit être branché sur une prise secteur disposant d'une mise à la terre.
  - Les appareils de classe 2 ne nécessitent pas de mise à la terre.
  - Tirez toujours sur la fiche lorsque vous la retirez de la prise d'alimentation secteur. Ne tirez pas sur le cordon d'alimentation. Cela pourrait provoquer un court-circuit.
  - N'utilisez pas un cordon ou une fiche d'alimentation endommagé ni une prise desserrée. Cela pourrait entraîner une électrocution ou un incendie.
28. Si l'appareil comprend ou est livré avec une télécommande contenant des piles boutons/piles :
 

Avertissement :

  - « N'avez pas les piles ! Risque de brûlure chimique » ou équivalent.
  - [La télécommande fournie avec] cet appareil contient une pile bouton/pile. Si la pile bouton est avalée, elle peut causer des brûlures internes graves en seulement 2 heures et peut conduire à la mort.
  - Gardez les piles neuves et usées hors de la portée des enfants.
  - Si le compartiment à pile ne se ferme pas correctement, cessez d'utiliser l'appareil et gardez-le hors de portée des enfants.
  - Si vous pensez que les piles ont été avalées ou ingérées d'une manière ou d'une autre, consultez immédiatement un médecin.
29. Avertissements sur l'utilisation des piles :
  - Risque d'explosion si la pile n'est pas remplacée correctement. Ne les remplacez que par des piles du même type ou d'un type équivalent.
  - Les piles ne doivent pas être soumises à des températures extrêmement élevées ou basses, à une faible pression d'air à haute altitude pendant l'utilisation, le stockage ou le transport.
  - Tout remplacement de pile par un type incorrect peut entraîner une explosion ou une fuite de liquide ou de gaz inflammable.
  - L'élimination d'une pile dans le feu ou dans un four chaud, l'écrasement ou le découpage mécanique peut entraîner une explosion.
  - Laisser une pile dans un environnement à température extrêmement élevée peut entraîner une explosion ou une fuite de liquide ou de gaz inflammable.
  - Une pile soumise à une pression d'air extrêmement basse peut entraîner une explosion ou une fuite de liquide ou de gaz inflammable.
  - Une attention particulière doit être portée sur les aspects environnementaux d'élimination des piles.

## **INSTALLATION**

- Déballez tous les composants et enlevez les matériaux de protection.
- Ne branchez pas l'appareil sans avoir vérifié la tension secteur et sans avoir effectué toutes les autres connexions.

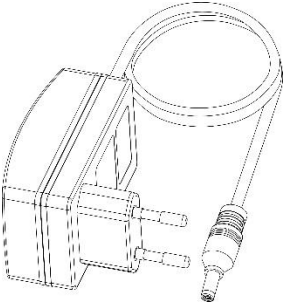


## Accessoires

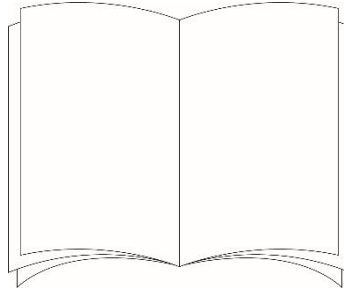
- Télécommande



- Adaptateur d'alimentation

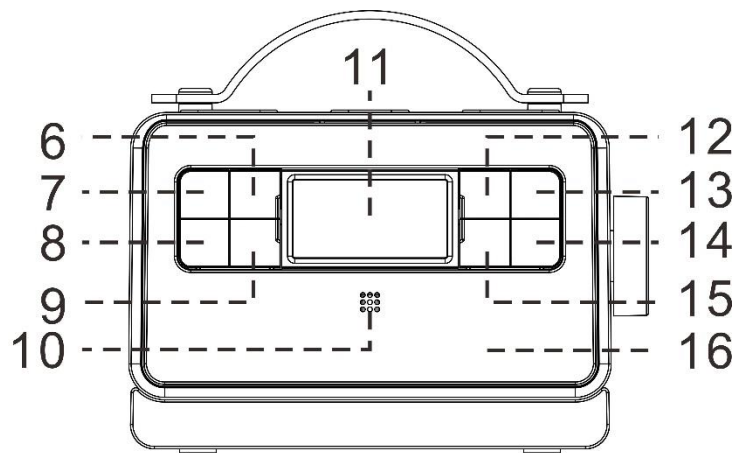
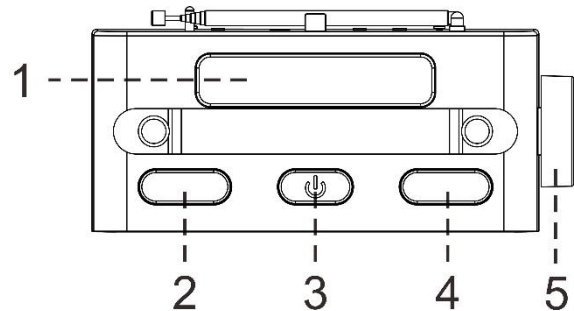


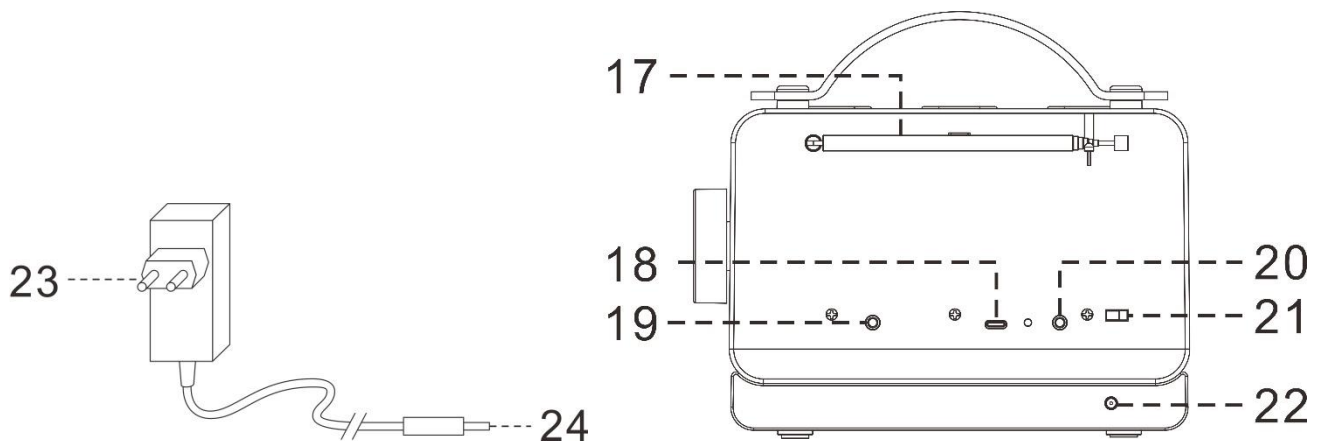
- Mode d'emploi



## POSITION DES COMMANDES

- 1) Support pour télécommande/dispositif mobile
- 2) Touche de menu/répétition
- 3) Touche marche/arrêt
- 4) Touche de syntonisation +/-
- 5) Molette de volume
- 6) Touche de recherche
- 7) Touche de mode
- 8) Touche de validation
- 9) Touche d'informations
- 10) Capteur de la télécommande
- 11) Écran LCD
- 12) Touche de station pré réglée 1
- 13) Touche de station pré réglée 2
- 14) Touche de station pré réglée 3
- 15) Touche de station pré réglée 4
- 16) Haut-parleur
- 17) Antenne FM
- 18) Connecteur de type C
- 19) Prise de casque d'écoute 3,5 mm
- 20) Connecteur de sortie de ligne
- 21) Commutateur de mode simple/normal
- 22) Prise d'alimentation CC de la station d'accueil et de charge
- 23) Adaptateur CA/CC
- 24) Fiche CC





### Attention :

L'utilisation de commandes ou l'exécution de procédures autres que celles spécifiées dans ce manuel peut entraîner une exposition à des rayonnements dangereux.

Cet appareil ne doit être réglé ou réparé que par un personnel qualifié.

### Important :

Comme les circuits sensibles peuvent provoquer des interférences avec un syntoniseur radio situé à proximité, mettez cet appareil hors tension lorsque vous utilisez d'autres appareils radio.

**En raison de la complexité du système de contrôle MCU, veuillez débrancher l'alimentation principale de l'appareil si celui-ci s'arrête en cours de fonctionnement ! Il ne s'agit pas d'un mauvais fonctionnement du système !**

### Précautions d'utilisation

#### Installation

1. Déballez tous les composants et enlevez les matériaux de protection.
2. Ne branchez pas l'appareil sans avoir vérifié la tension secteur et sans avoir effectué toutes les autres connexions.
3. Ne couvrez pas les ouvertures et assurez-vous de laisser un espace de plusieurs centimètres autour de l'appareil pour la ventilation.

#### Connexion

1. Insérez la fiche CC (24.) dans la prise CC (22.) de la station d'accueil et de charge, puis connectez l'adaptateur CA/CC (23.) à une prise secteur.
2. Placez l'appareil sur la station d'accueil et de charge pour la charger.
3. Allumez l'appareil en appuyant sur la touche marche/arrêt (3.). Si un texte s'affiche sur l'écran LCD, l'alimentation électrique est correctement fournie. Votre système est désormais prêt à jouer de la musique.
- 4.

#### Remarque :

1. Pour préserver la durée de vie de la batterie rechargeable intégrée, l'appareil s'éteint après la mise hors tension une fois déconnecté de la station de charge. La télécommande ne peut pas allumer l'appareil si celui-ci est déconnecté de la station de charge. Appuyez sur la touche marche/arrêt (3.) de l'appareil pour le mettre en marche sous cette condition.
2. Nous vous recommandons de connecter l'appareil à la station de charge pour une utilisation à domicile. L'appareil peut ainsi rester en mode veille une fois éteint et la télécommande peut être utilisée.

## Réglage de la date et de l'heure

L'horloge se synchronise sur l'horloge RDS/DAB dès réception d'un signal RDS/DAB si l'horloge n'a pas été réglée au préalable.

Suivez les étapes ci-dessous pour régler manuellement l'heure et la date.

1. Allumez l'appareil en appuyant sur la touche marche/arrêt (3.), puis appuyez sur la touche de Mode (7.) pour sélectionner le mode FM ou DAB.
2. Appuyez sur la touche Menu (2.), puis sur les touches de syntonisation +/- (4) pour sélectionner <System> (<Système>). Appuyez enfin sur la touche Enter (8.) pour confirmer.
3. L'écran affiche <Time> (<Heure>), appuyez sur la touche Enter (8.) pour confirmer.
4. L'écran affiche <Set time/Date> (<Régler heure/date>), appuyez sur la touche Enter (8.) pour confirmer.
5. Réglez les heures et les minutes en appuyant sur les touches de syntonisation +/- (4), puis appuyez sur la touche Enter (8.) pour confirmer.
6. L'écran affiche « Set date 1-1-2020 » (Régler date 1-1-2020). Réglez ensuite le jour, le mois et l'année en appuyant sur les touches de syntonisation +/- (4), puis appuyez sur la touche Enter (8.) pour confirmer.
7. L'écran affiche <Time saved> (<Heure réglée>) pour indiquer que l'heure et la date ont été correctement mémorisées.
8. À partir du réglage <System> <Time> (<Système> <Heure>), vous pouvez également définir le format de l'heure et de la date.

Suivez la structure du menu ci-dessous pour effectuer les opérations.

Appuyez sur les touches +/- (4) pour effectuer la sélection, puis appuyez sur la touche Enter (8.) pour confirmer.

Appuyez à nouveau sur la touche de Menu (2.) pour sortir des réglages.

<System> (<Système>)	<Time> (<Heure>)	<Set time/Date> (<Régler heure/date>)	Suivez les instructions du paragraphe « Réglage de la date et de l'heure ».
		<Auto update> (<Mise à jour auto>)	Mise à jour de toute source (le système met automatiquement à jour l'heure et la date à la réception d'un signal RDS/DAB.)
			Mise à jour de la source DAB (le système met automatiquement à jour l'heure et la date à la réception d'un signal DAB.)
			Mise à jour de la source FM (le système met automatiquement à jour l'heure et la date à la réception d'un signal FM.)
			Aucune mise à jour (si vous préférez régler manuellement l'heure et la date, sélectionnez cette option.)
		<Set 12/24 hour> (<Régler 12/24 heures>)	Sélection du format 24 heures
			Sélection du format 12 heures
		<Set date format> (<Régler format date>)	JJ-MM-AAAA
			MM-JJ-AAAA

- L'heure préalablement réglée est perdue si l'alimentation électrique est coupée. Nous vous recommandons de mettre l'appareil en mode veille pour une meilleure utilisation.

## Écouter la radio

---

### Mode FM

#### Syntonisation manuelle

1. Allumez l'appareil en appuyant sur la touche marche/arrêt (3.), puis appuyez sur la touche de Mode (7.) pour sélectionner le mode FM.
2. Appuyez sur la touche de syntonisation +/- (4) pour syntoniser la station désirée.
3. Tournez la molette de volume (5.) pour régler le volume désiré.

#### Syntonisation automatique

1. Appuyez et maintenez les touches de syntonisation +/- (4) enfoncé pendant un moment, puis relâchez la touche. L'appareil commence à balayer les fréquences vers le haut ou vers le bas jusqu'à la réception de stations radio.
2. Tournez la molette de volume (5.) pour régler le volume désiré.

#### Conseils pour la réception :-

Déployez l'antenne télescopique pour améliorer la réception.

#### Paramètre de recherche FM

Une fois la syntonisation automatique effectuée, si vous recevez trop de stations radio faibles non désirées, vous pouvez sélectionner les stations fortes uniquement en filtrant les **signaux** plus faibles.

1. En mode FM, appuyez sur la touche Menu (2.), l'écran affichera <Scan setting> (<Param. Recherche>), puis appuyez sur la touche Enter (8.).
2. Appuyez sur les touches de syntonisation +/- (4) pour sélectionner « Strong Station only » (Station forte uniquement). Appuyez sur la touche Enter (8.) pour confirmer le réglage.
3. Effectuez à nouveau la procédure de syntonisation automatique précédente.

#### Réception FM mono et FM stéréo

Par défaut, toutes les stations stéréo sont reproduites en stéréo. Pour les stations ayant un signal faible, le signal risque d'être bruité.

Pour écouter une station ayant un signal faible en mode mono, suivez la procédure suivante pour basculer le réglage entre stéréo et mono.

1. Appuyez sur la touche de Menu (2.), puis sur les touches de syntonisation +/- (4) pour sélectionner <Audio Setting> (<Réglage audio>). Appuyez ensuite sur la touche Enter (8.) pour confirmer.
2. Appuyez sur les touches de syntonisation +/- (4) pour sélectionner <Forced mono> (<Mono forcé>). Appuyez ensuite sur la touche Enter (8.) pour confirmer le réglage.
3. Lorsque vous souhaitez écouter les signaux stéréo, suivez la même procédure, mais sélectionnez <Stereo allowed> (<Stéréo autorisé>).

#### Réglages audio :

1. Appuyez sur la touche Menu (2), puis sur les touches de syntonisation +/- (4) pour sélectionner « Audio setting » (Réglage audio). Appuyez enfin sur la touche Enter (8.) pour confirmer.
2. Appuyez sur la touche de syntonisation +/- (4) pour sélectionner « Force mono » (Forcer mono), puis appuyez sur la touche Enter (8.) pour confirmer.

#### Conseils pour une meilleure réception :-

FM : le récepteur est équipé d'une antenne tige (17.) située à l'arrière du boîtier. Cette antenne doit être totalement déployée et étendue pour une meilleure réception.

#### Système de radiocommunication de données (RDS)

Cette fonction affiche les informations provenant de l'émission radio sur l'écran LCD l'une après l'autre comme ci-dessous en appuyant de manière continue sur la touche Info (9.).

Nom de la radio → Type de programme → Fréquence → mono/stéréo → Heure → Date

## Mémoire des stations préréglées

Vous pouvez mémoriser 10 stations FM.

1. Syntonisez manuellement ou automatiquement la station de radio désirée.
2. Appuyez et maintenez la touche de la station préréglée enfoncée pendant 2 à 3 s, l'écran affiche « Preset Store » <1: (Empty)> [« Préréglage » <1: (vide)>].
3. Appuyez ensuite sur les touches de syntonisation +/- de l'appareil ou de la télécommande pour sélectionner le numéro de mémorisation de la station préréglée.
4. Appuyez sur la touche Enter pour enregistrer l'emplacement de mémoire (1 à 10). L'écran affiche « Preset X stored » (Préglage X mémorisé).

### Remarque :

1. Si la station préréglée est déjà mémorisée, l'écran affiche la fréquence à côté de la station préréglée, par exemple : <1: 94,50 MHz>.
2. La station préréglée sera remplacée par une nouvelle station de radio lors de sa mémorisation.
3. Pour les numéros de station actuels (1, 2, 3, 4), les stations peuvent être mémorisées directement en appuyant et en maintenant la touche (12.) ou (13.) ou (14.) ou (15) enfoncée sur l'appareil après avoir syntonisé la station radio désirée.

### Rappel de station préréglée :

1. Appuyez sur les touches de station préréglée de la télécommande pour rappeler directement la station préréglée.
2. Appuyez directement sur la touche de station préréglée 1 (12), la touche de station préréglée 2 (13.), la touche de station préréglée 3 (14.), la touche de station préréglée 4 (15.) de l'appareil pour rappeler ces trois stations préréglées. Appuyez sur la touche de Menu (2), puis sur la touche de syntonisation +/- (4) pour sélectionner « Preset Recall » (Rappel station préréglée).
3. L'écran affiche la fréquence de la station préréglée et le numéro de mémorisation de la station préréglée (P1, P2, P3, etc.)

## Radio de diffusion audio numérique (DAB)

1. Allumez l'appareil en appuyant sur la touche marche/arrêt (3.), puis appuyez sur la touche de Mode (7.) pour sélectionner le mode DAB.
2. L'appareil lancera automatiquement une recherche de toutes les stations disponibles en mode DAB.
3. Autrement, appuyez brièvement sur la touche de Menu (2.), l'écran affiche <Full scan> (<Recherche complète>). Appuyez sur la touche Enter (8.) pour confirmer. L'appareil lance une recherche complète. À la fin de la recherche, toutes les stations reçues sont ajoutées à la liste des stations.
4. Appuyez sur les touches de syntonisation +/- (4) pour sélectionner la station DAB désirée. Appuyez ensuite sur la touche Enter (8.) pour confirmer la sélection de la station.
5. Tournez la molette de volume (5.) pour régler le volume désiré.
6. Appuyez sur la touche d'informations en continu pour vérifier les informations publiées par DAB ci-dessous.  
Puissance du signal → Type de programme → Nom du groupe → Fréquence → Erreur de signal → Taux de transfert → Heure → Date

### Syntonisation manuelle

1. Allumez l'appareil en appuyant sur la touche marche/arrêt (3.), puis appuyez sur la touche de Mode (7.) pour sélectionner le mode DAB.
2. Appuyez sur la touche de Menu (2.), puis appuyez sur la touche de syntonisation - (4), l'écran affiche <Manual tune> (<Syntonisation manuelle>).
3. Appuyez sur la touche Enter (8.) pour confirmer. L'écran affiche les stations DAB.
4. Appuyez sur les touches de syntonisation +/- (4) pour faire défiler les stations DAB. Appuyez ensuite sur la touche Enter (8.) pour confirmer la sélection de la station.
5. Tournez la molette de volume (5.) pour régler le volume désiré.

### **Affichage des informations**

Cette fonction affiche les informations provenant de l'émission radio sur l'écran LCD l'une après l'autre comme ci-dessous en appuyant de manière continue sur la touche Info (9.).

Nom de la radio → Type de programme → Fréquence → mono/stéréo → Heure → Date

### **Valeur DRC (Contrôle de plage dynamique)**

Vous pouvez régler le niveau de compression de la station pour éliminer les écarts de gamme dynamique ou de niveau sonore entre les stations de radio.

1. Activez le mode DAB. Appuyez sur la touche de Menu (2.), puis sur les touches de syntonisation +/- (4) pour sélectionner <DRC> (<DRC>). Appuyez ensuite sur la touche Enter (8.) pour accéder au réglage.
2. Appuyez sur les touches de syntonisation +/- (4) pour sélectionner le gain DRC désiré. Appuyez ensuite sur la touche Enter (8.) pour confirmer la sélection.

### **Ordre des stations**

1. Activez le mode DAB. Appuyez sur la touche de Menu (2.), puis sur les touches de syntonisation +/- (4) pour sélectionner <Station order> (<Ordre station>). Appuyez ensuite sur la touche Enter (8.) pour accéder au réglage.
2. Appuyez sur les touches de syntonisation +/- (4) pour accéder à « Alphanumeric » (Alphanumérique) et « Ensemble » (Ensemble), puis appuyez sur la touche Enter (8.) pour confirmer la sélection.

### **Suppression des stations inactives**

1. Activez le mode DAB. Appuyez sur la touche de Menu (2.), puis sur les touches de syntonisation +/- (4) pour sélectionner <Prune> (<Supprimer>). Appuyez ensuite sur la touche Enter (8.) pour accéder au réglage.
2. Appuyez sur les touches de syntonisation +/- (4) pour sélectionner « Yes » (Oui), puis appuyez sur la touche Enter (8.) pour confirmer.

### **Mémoire des stations préréglées**

Vous pouvez mémoriser 10 stations DAB et la procédure de réglage est exactement la même que pour le mode FM.

### **Réglage du système**

Activez le mode FM ou DAB. Appuyez sur la touche de Menu (2.), puis sur les touches de syntonisation +/- (4) pour sélectionner <System> (<Système>). Appuyez sur la touche Enter (8.) pour accéder au réglage de l'heure, du rétroéclairage, de la veille inactive, de la langue.

Appuyez sur les touches +/- (4) pour effectuer la sélection, puis appuyez sur la touche Enter (8.) pour confirmer.

Appuyez à nouveau sur la touche de Menu (2.) pour sortir des réglages.

Time (Heure)

- Reportez-vous au paragraphe « Réglage de la date et de l'heure ».

<System> (<Système>)	<Backlight> (<Rétroéclairage>)	<Timeout> (<Délai d'attente>) :	Pour définir le délai de changement de la luminosité du rétroéclairage de l'écran du niveau « On » (Allumé) au niveau « Dim » (Atténué) en mode veille. <10 sec>, <20 sec>, <30 sec>, <45 sec>, <60 sec>, <90 sec>, <120 sec>, <180 sec>, <ON> (<10 s>, <20 s>, <30 s>, <45 s>, <60 s>, <90 s>, <120 s>, <180 s>, <Allumé>)
		<On level> (<Niveau allumé>)	La luminosité du rétroéclairage en mode allumé (fonctionnement) <High>, <Medium>, <Low> (<Élevé>, <Moyen>, <Faible>)
		<Dim level> (<Niveau atténué>)	La luminosité du rétroéclairage en mode veille <High>, <Medium>, <Low> (<Élevé>, <Moyen>, <Faible>)
<System> (<Système>)	<Inactive Standby> (Veille inactive)	<OFF>, <2 hour>, <4 hour>, <5 hour>, <6 hour> (<ÉTEINT>, <2 heures>, <4 heures>, <5 heures>, <6 heures>)	
<System> (<Système>)	<Language> (<Langue>)	English, Espanol, Français, Italiano, Nederlands, Norsk, Polski, Suomi, Dansk, Deutsch	
<System> (<Système>)	<Factory Reset> (<Réinitialisation aux réglages d'usine>)	Une fois la réinitialisation effectuée, toutes les stations pré-réglées seront supprimées, ainsi que les paramètres de langue. Les paramètres d'usine d'origine de l'appareil seront rétablis. <Yes>, <No> (<Oui>, <Non>)	
<System> (<Système>)	<Software Upgrade> (Mise à jour Logiciel)	<Yes>, <No> (<Oui>, <Non>)	
<System> (<Système>)	<SW Version> (Version logicielle)	Pour vérifier la version logicielle.	

### Connexion Bluetooth et lecture



1. Allumez l'appareil en appuyant sur la touche marche/arrêt (3.), puis appuyez sur la touche de Mode (7.) pour sélectionner le mode Bluetooth.
2. « Bluetooth » s'affiche sur l'écran LCD. Le mode de recherche Bluetooth est ainsi activé.
3. Activez la fonction Bluetooth sur votre dispositif Bluetooth (comme un téléphone mobile), puis sélectionnez l'équipement Bluetooth « **Lenco PDR-065** » pour la connexion.
4. Une fois la connexion correctement établie, l'écran LCD affiche « BT Connected » (BT connecté).
5. Lancez la lecture sur le dispositif Bluetooth pour écouter la musique.
6. Tournez la molette de volume (5.) pour régler le volume désiré.
7. Vous pouvez appuyer sur la touche d'avance ►► ou de recul ◄◄ de votre dispositif Bluetooth pour choisir la musique à écouter.
8. Pour désactiver la connexion Bluetooth, appuyez sur la touche de Mode (7.) pour passer à un autre mode ou mettre fin à la fonction Bluetooth de votre dispositif Bluetooth. L'écran LCD affiche à nouveau « Bluetooth » pour permettre le couplage d'un nouveau dispositif ou d'éteindre l'appareil. Répétez les étapes 3 à 5 ci-dessous pour connecter un autre dispositif Bluetooth.

## Autres fonctions

---

### A. Réglage de l'heure de réveil

Cette fonction permet d'allumer automatiquement l'appareil ou de vous réveiller grâce à l'avertisseur, la radio FM ou DAB. Réglez l'appareil en mode DAB/FM. Appuyez sur la touche Menu (2.), puis sur les touches de syntonisation +/- (4) pour sélectionner <System> (<Système>), appuyez enfin sur la touche Enter (8.) pour confirmer. Appuyez sur les touches de syntonisation +/- (4) pour sélectionner <Alarm> (<Réveil>), puis appuyez sur la touche Enter (8.) pour accéder au mode de réglage de la minuterie. L'écran LCD affiche l'heure de mise en marche. D'autre part, les chiffres des heures de la minuterie se mettent à clignoter pour indiquer que l'appareil est déjà en mode de réglage de la minuterie.

- 1) Réglage réveil 1 : Appuyez sur la touche de réveil pour régler le réveil 1. Appuyez sur la touche OK pour commencer le réglage.
  
- 2) Réglage de l'heure de mise en marche : Une fois que vous avez accédé au réglage du réveil, les chiffres de l'heure se mettent à clignoter. Appuyez sur les touches +/- pour régler les heures, puis appuyez sur la touche de validation pour confirmer les heures.  
À présent, les chiffres des minutes se mettent à clignoter. Appuyez sur les touches +/- pour régler les minutes, puis appuyez sur la touche de validation pour confirmer les minutes.
  
- 3) Durée : Appuyez sur les touches +/- pour sélectionner la durée du réveil parmi : 15, 30, 45, 60, 90, 120 (minutes).  
Appuyez sur les touches de syntonisation +/- (4) pour sélectionner la minuterie de mise en marche. Appuyez ensuite sur la touche Enter (8) pour mémoriser la minuterie de mise en marche.
  
- 4) Source : Appuyez sur les touches haut/bas pour sélectionner le mode de réveil parmi : Buzzer (Avertisseur), FM, DAB.  
FM/DAB : sélectionnez la dernière station de radio écoutée ou une station dans la liste des stations pré-réglées.  
Appuyez sur les touches +/- pour effectuer la sélection, puis appuyez sur la touche OK pour confirmer le réglage.
  
- 5) Fréquence : Sélectionnez la fréquence du réveil parmi : Daily (Tous les jours), One (Une fois), Weekends (Weekends) ou Weekdays (Jours de la semaine).  
Si vous choisissez « Once » (Une fois), vous devez confirmer la date du réveil.  
Appuyez sur les touches de syntonisation +/- (4) pour sélectionner le volume pour la minuterie de mise en marche, puis appuyez sur la touche Enter (8) pour terminer le réglage de la minuterie. L'appareil passe en mode veille et l'écran affiche l'icône de la minuterie de mise en marche «  ».
  
- 6) Activation/désactivation du réveil : Appuyez sur les touches +/- pour activer ou désactiver le réveil, puis appuyez sur la touche de validation pour confirmer le réglage.  
Une fois le réveil réglé, l'icône du réveil  s'affiche sur l'écran.  
Au contraire, l'icône du réveil disparaît de l'écran si le réveil est désactivé.

#### Remarque : -

- pour le réveil en mode FM/DAB, la radio utilise la dernière fréquence radio écoutée avant arrêt.
- Si l'avertisseur est utilisé pour le réveil, l'appareil émet un son « bip bip » à l'heure sélectionnée.
- Le mode de réglage de l'alarme est actif pendant 4 s, la radio revient en mode normal si aucune touche n'est appuyée pendant ce laps de temps.

**Le réveil ne fonctionne que si l'appareil est placé et connecté à la station d'accueil !**

### B. RÉPÉTITION

Appuyez sur la touche de répétition de l'appareil pour reporter le réveil de 5 min chaque fois.



### C. Utilisation des écouteurs

Insérez la fiche des écouteurs dans la prise pour casque d'écoute pour écouter la radio en privé.

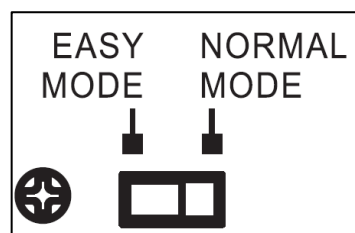
#### LIRE ATTENTIVEMENT SES MISES EN GARDE AVANT D'UTILISER VOS ÉCOUTEURS

- 1) Évitez une écoute prolongée à un volume très élevé, car cela pourrait nuire à votre audition.
- 2) Si vous entendez un bourdonnement dans vos oreilles, réduisez le volume ou éteignez votre appareil.
- 3) Maintenez le volume à un niveau raisonnable pour vous permettre d'entendre les sons extérieurs.

### D. Commutateur mode simple/normal

La radio est équipée d'un commutateur mode simple/normal situé à l'arrière du panneau. Passez en mode simple pour simplifier l'interface de l'appareil et le rendre plus facile à utiliser par les personnes âgées.

Placez le commutateur de mode simple/normal sur la position « Easy » (Simple). Seules la touche marche/arrêt (3), les touches de station pré-réglée 1 à 4 (12 à 15) et la molette de volume (5) sont fonctionnelles. Les autres touches n'ont aucun effet.



EN	FR
EASY MODE	MODE SIMPLE
NORMAL MODE	MODE NORMAL

Informations	Remarques	
Nom ou marque du fabricant, enregistrement commercial et adresse	-	Shenzhen ABP Technology Co. Ltd. Adresse : 2 <sup>nd</sup> floor, B2 Building, Xin hao sheng Industrial zone, Yonghe Road, Qiaotou, Fuhai Street, Bao an District, Shenzhen City, Guangdong 518103, R.P. de Chine
Identifiant du modèle	-	AD0181-0552500GB
Tension d'entrée	Spécifiée par le fabricant. Doit être une valeur fixe ou une plage.	100-240 V
Fréquence d'entrée CA	Spécifiée par le fabricant. Doit être une valeur fixe ou une plage.	50/60 Hz
Tension de sortie	Tension de sortie indiquée sur la plaque signalétique. Doit indiquer CA ou CC.	5,5 V
Courant en sortie	Courant de sortie indiquée sur la plaque signalétique.	2,5 A
Puissance de sortie	Puissance de sortie indiquée sur la plaque signalétique.	13,75 W

<p>Efficacité active moyenne</p>	<p>Déclaré par le fabricant sur la base de la valeur calculée comme moyenne arithmétique du rendement aux conditions de charge 1 à 4.</p>	<p>87,403 %</p>
<p>Efficacité à faible charge (10 %)</p>	<p>Déclaré par le fabricant sur la base de la valeur calculée aux conditions de charge 5. Les alimentations externes dont la puissance de sortie indiquée sur la plaque signalétique est inférieure ou égale à 10 W ne sont pas concernées par ces dispositions.</p>	<p>71,9 %</p>
<p>Pas de consommation d'énergie à vide</p>	<p>Déclaré par le fabricant sur la base de la valeur mesurée aux conditions de charge 6.</p>	<p>≤0,1 W</p>

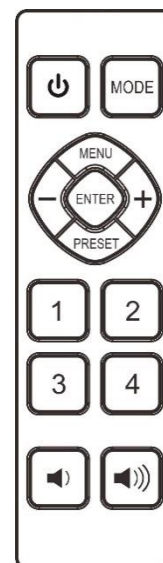
## Émetteur-récepteur de la télécommande

### Installation des piles (piles non fournies)

L'émetteur-récepteur doit être alimenté par 2 piles de type AAA.

#### Description des touches

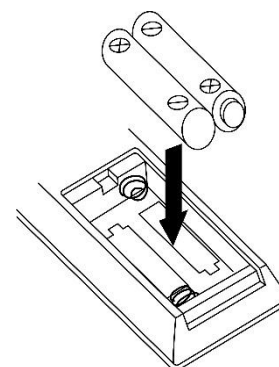
Mise en marche/veille	Appuyez sur cette touche pour mettre en marche/veille l'appareil.
Mode	Appuyez sur cette touche pour sélectionner le mode de fonctionnement.
Menu	Appuyez sur cette touche pour accéder au menu des réglages.
-/+	Appuyez sur ces touches pour choisir les options.
ENTRÉE	Appuyez sur cette touche pour confirmer le réglage.
Station pré-réglée	Appuyez sur cette touche pour accéder aux stations radio pré-réglées FM/DAB.
Touche de 1 à 4	Pour rappeler directement une station radio FM/DAB pré-réglée.
Augmenter/diminuer le volume	Appuyez sur ces touches pour régler le volume.



### INSTALLATION DES PILES

Le compartiment des piles est situé à l'arrière de la télécommande.

1. Retirez le couvercle du compartiment des piles en appuyant sur l'onglet et en le soulevant.
2. Insérez (2) piles de type AAA (non fournies) dans le compartiment en respectant les marques de polarités indiquées à l'intérieur.
3. Remettez en place le couvercle du compartiment des piles.



#### MISES EN GARDE SUR LES PILES

1. Veillez à insérer correctement les piles. Une mauvaise polarité peut endommager l'appareil.
2. Utilisez uniquement le type de pile spécifié.
3. Ne mélangez pas des piles neuves et usées.
4. Ne mélangez pas des piles alcalines, standard (carbone-zinc) ou rechargeables (nickel-cadmium).
5. Si vous n'utilisez pas l'appareil pendant une période prolongée, retirez les piles. Des piles usées ou présentant des fuites peuvent endommager l'appareil et risque d'annuler la garantie.
6. N'essayez pas de recharger des piles qui ne sont pas rechargeables, elles peuvent surchauffer et exploser. (Suivez les recommandations du fabricant de piles)
7. Ne jetez pas les piles dans le feu, les piles peuvent présenter des fuites ou exploser.

**REMARQUE : En raison des obligations ERP Stage 2 et pour protéger l'environnement, l'appareil passe automatiquement en mode veille si aucune musique n'est diffusée après 15 min.**

## **1. Garantie**

Commaxx B.V. propose un service et une garantie conformément à la législation européenne, ce qui signifie qu'en cas de besoin de réparation (aussi bien pendant et après la période de garantie), vous pouvez contacter le revendeur le plus proche.

Remarque importante : Il n'est pas possible de renvoyer l'appareil pour réparation directement à Commaxx B.V.

Remarque importante : Si l'appareil est ouvert ou modifié de quelque manière que ce soit par un réparateur non agréé, la garantie est annulée.

Cet appareil ne convient pas à une utilisation professionnelle. En cas d'utilisation professionnelle, les obligations de garantie du fabricant sont annulées.

## **2. Clause de non-responsabilité**

Des mises à jour du micrologiciel ou des composants matériels sont régulièrement effectuées. Ainsi, certaines instructions, spécifications et images de la présente documentation peuvent être légèrement différentes. Tous les éléments décrits dans ce manuel sont donnés uniquement à des fins d'illustration et peuvent ne pas s'appliquer à une situation particulière. Aucun droit juridique ou légal ne peut être obtenu à partir de la description faite dans ce manuel.

### 3. Mise au rebut de l'appareil usagé



Ce symbole indique que le produit électrique concerné ainsi que les piles ne doivent pas être jetés avec les autres déchets ménagers en Europe. Pour assurer le traitement correct des déchets de l'appareil et des piles, il faut les éliminer conformément aux lois locales applicables sur l'élimination des équipements électriques et des piles. En faisant cela, vous contribuez à la conservation des ressources naturelles et à l'amélioration des normes de protection de l'environnement dans le traitement et l'élimination des déchets électriques (Directive sur les déchets d'équipements électriques et électroniques).

### 4. DECLARATION DE CONFORMITE

Le soussigné, Commaxx, déclare que l'équipement radioélectrique du type [Lenoc PDR-065] est conforme à la directive 2014/53/UE. Le texte complet de la déclaration UE de conformité est disponible à l'adresse internet suivante:

[https://commaxx-certificates.com/doc/pdr-065\\_doc.pdf](https://commaxx-certificates.com/doc/pdr-065_doc.pdf)

Type RF	Bande de fréquences (MHz)	Puissance (dBm)
Bluetooth	2402-2480	< 6
DAB	174-240	-
FM	87.5-108	-

### 5. Réparation

Pour plus d'informations et le service d'assistance, rendez-vous sur [www.lenco.com](http://www.lenco.com)

Commaxx B.V. Wiebachstraat 37, 6466 NG Kerkrade, The Netherlands.

**PRECAUCIÓN:**

Un uso de los controles, unos ajustes o un rendimiento de los procedimientos distintos a los especificados aquí puede resultar en una exposición peligrosa a la radiación.

**PRECAUCIONES PREVIAS AL USO**

**TENGA ESTAS INSTRUCCIONES EN CUENTA:**

1. No cubra ni obstruya las aberturas de ventilación. Si coloca el dispositivo sobre una estantería, deje una separación de 5 cm (2") alrededor de todo el dispositivo.
2. Instálelo en conformidad con el manual del usuario incluido.
3. Mantenga el dispositivo apartado de fuentes de calor como radiadores, calentadores, estufas, velas y otros productos que generen calor o llamas abiertas. El dispositivo solo puede utilizarse en climas moderados. Deben evitarse los entornos muy fríos o cálidos. La temperatura de funcionamiento es de entre 0 °C y 35 °C.
4. Evite utilizar el dispositivo cerca de campos magnéticos intensos.
5. Las descargas electrostáticas pueden perturbar el uso normal de este dispositivo. En tal caso, solo tiene que seguir el manual de instrucciones para restablecer y reiniciar el dispositivo. Durante la transmisión de archivos, por favor manéjelo con cuidado y opérelo en un entorno libre de electricidad estática.
6. ¡Advertencia! Nunca introduzca objetos en las aberturas o conductos de ventilación del producto. Alto voltaje fluye a través del producto e insertar un objeto puede provocar una descarga eléctrica o un cortocircuito en sus componentes internos. Por el mismo motivo, no derrame agua ni líquidos sobre el producto.
7. No lo utilice en áreas mojadas o húmedas, como cuartos de baño, cocinas con mucho vapor o cerca de piscinas.
8. No se debe exponer el dispositivo a goteos ni salpicaduras y debe asegurarse de que no haya objetos llenos de líquidos, como jarrones, encima ni cerca del aparato.
9. No utilice este dispositivo si puede haber condensación. Cuando se utilice la unidad en una sala cálida y húmeda, pueden aparecer gotas de agua o condensación dentro de la unidad y esta puede no funcionar correctamente; deje la unidad apagada durante 1 o 2 horas antes de encender la alimentación: la unidad debe estar seca antes de encenderla.
10. Aunque este dispositivo está fabricado con el máximo cuidado y se ha comprobado varias veces antes de salir de fábrica, todavía es posible que se puedan producir problemas, igual que con todos los aparatos eléctricos. Si detecta humo, una acumulación excesiva de calor o cualquier otro fenómeno inesperado, deberá desconectar inmediatamente el enchufe de la toma de corriente.
11. Este dispositivo debe estar conectado a una fuente de alimentación conforme a lo indicado en la etiqueta de especificaciones. Si no está seguro del tipo de fuente de alimentación de su hogar, consulte con su distribuidor o su empresa eléctrica local.
12. Manténgalo alejado de los animales. Algunos animales muerden los cables eléctricos.
13. Utilice un trapo suave y húmedo para limpiar el dispositivo. No utilice disolventes ni líquidos con base de gasolina.  
Puede usar un paño húmedo con detergente diluido para eliminar las manchas persistentes.
14. El proveedor no asume ninguna responsabilidad por daños o datos perdidos como consecuencia de un funcionamiento incorrecto, uso incorrecto, modificación del dispositivo o sustitución de la batería.
15. No interrumpa la conexión mientras se formatea el dispositivo o esté transfiriendo archivos. De lo contrario, los datos podrían quedar dañados o perderse.
16. Si la unidad tiene una función de reproducción USB, se debe conectar directamente el dispositivo de memoria USB a la unidad. No utilice cables de extensión USB ya que pueden crear interferencias que causen una pérdida de datos.
17. La etiqueta de clasificación está marcada en el panel inferior o trasero del dispositivo.
18. Este aparato no está diseñado para su uso por personas (incluyendo niños) con discapacidades físicas, sensoriales o mentales o con falta de experiencia o conocimientos, salvo que estén bajo supervisión o hayan recibido formación sobre el uso correcto del dispositivo por parte de una persona responsable de su seguridad.
19. Este producto está destinado únicamente al uso no profesional y no al uso comercial ni industrial.
20. Compruebe que la unidad está ajustada en una posición estable. Los daños causados por las vibraciones o sacudidas derivadas del uso del producto en una posición inestable o el incumplimiento de otras advertencias o precauciones incluidas en este manual del usuario no estarán cubiertos por la garantía.
21. Nunca retire la carcasa del dispositivo.
22. Nunca coloque el dispositivo sobre otros equipos eléctricos.
23. No permita que los niños accedan a las bolsas de plástico.

24. Utilice solo los accesorios especificados por el fabricante.
25. Solicite todo el trabajo de mantenimiento a personal de servicio cualificado. El dispositivo deberá ser reparado cuando quede dañado de cualquier forma, por ejemplo, si el cable de alimentación o el enchufe están dañados, se ha derramado líquido o han caído objetos sobre él, ha quedado expuesto a la lluvia o a la humedad, no funciona con normalidad, o se ha caído al suelo.
26. La exposición prolongada a sonidos fuertes de reproductores personales de música puede provocar una pérdida temporal o permanente de audición.
27. Si el producto incluye un cable de alimentación o un adaptador de CA:
  - Si hubiera algún problema, desconecte el cable de CA y solicite su mantenimiento al personal cualificado.
  - No pise ni pellizque el adaptador de corriente. Tenga mucho cuidado, en especial cerca de los enchufes y el punto de salida del cable. No coloque objetos pesados sobre el adaptador de corriente, ya que podría dañarlo. ¡Mantenga todo el dispositivo fuera del alcance de los niños! Si juegan con el cable de alimentación, pueden sufrir lesiones graves.
  - Desenchufe el dispositivo durante tormentas eléctricas o si no se utiliza durante largos periodos.
  - La toma debe estar instalada cerca del equipo y ser fácilmente accesible.
  - No sobrecargue las tomas de CA ni los cables de extensión. Una sobrecarga podría provocar un incendio o una descarga eléctrica.
  - Los dispositivos con una construcción de clase 1 deben estar conectados a una toma eléctrica con conexión a tierra protectora.
  - Los dispositivos con una construcción de clase 2 no requieren una conexión a tierra.
  - Sujete siempre el enchufe cuando lo extraiga de la toma de corriente. No estire del cable eléctrico. Podría provocar un cortocircuito.
  - No utilice cables de alimentación o enchufes deteriorados o tomas sueltas. Podría provocar un incendio o descarga eléctrica.
28. Si el producto contiene o se entrega con un mando a distancia que contiene pilas de botón:
 

Advertencia:

  - «No ingiera la pila, existe riesgo de quemaduras químicas» o equivalente.
  - [Mando a distancia incluido] Este producto contiene una pila de botón. En caso de ingesta de la pila, puede provocar quemaduras internas graves en menos de 2 horas que pueden provocar la muerte.
  - Mantenga las pilas nuevas y usadas fuera del alcance de los niños.
  - Si el compartimento de las pilas no cierra bien, deje de usar el producto y manténgalo fuera del alcance de los niños.
  - Si cree que puede haber ingerido una pila, solicite inmediatamente atención médica.
29. Precauciones sobre el uso de las pilas:
  - Existe peligro de explosión si se sustituye la pila por una de tipo incorrecto. Sustitúyalas únicamente por pilas del mismo tipo o equivalentes.
  - No se puede someter las pilas a temperaturas muy altas o bajas, ni a presiones de aire bajas a altitudes altas durante el uso, almacenamiento o transporte.
  - La sustitución de una pila por una de tipo incorrecto puede resultar en una explosión o fuga del líquido o gas inflamable.
  - Arrojar una pila al fuego o a un horno caliente, o aplastarla o cortarla con medios mecánicos, puede resultar en una explosión.
  - Dejar una pila en un entorno con temperaturas muy altas puede resultar en una explosión o fuga del líquido o gas inflamable.
  - Someter una pila a presiones de aire muy bajas puede resultar en una explosión o la fuga del líquido o gas inflamable.
  - Se debe prestar atención a los aspectos medioambientales sobre la eliminación de baterías.

## **INSTALACIÓN**

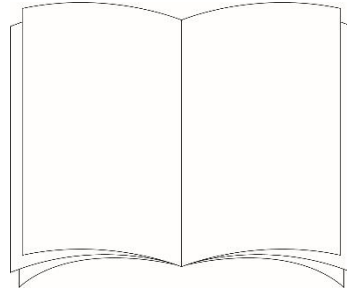
- Desempaquete todas las piezas y retire el material protector.
- No conecte la unidad a la corriente sin comprobar la tensión eléctrica y que se han hecho todas las demás conexiones.

## Accesorios

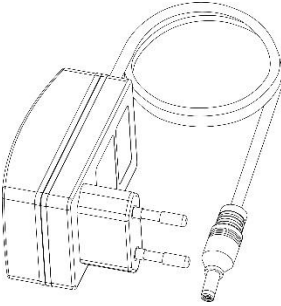
- Mando a distancia



- Manual de usuario

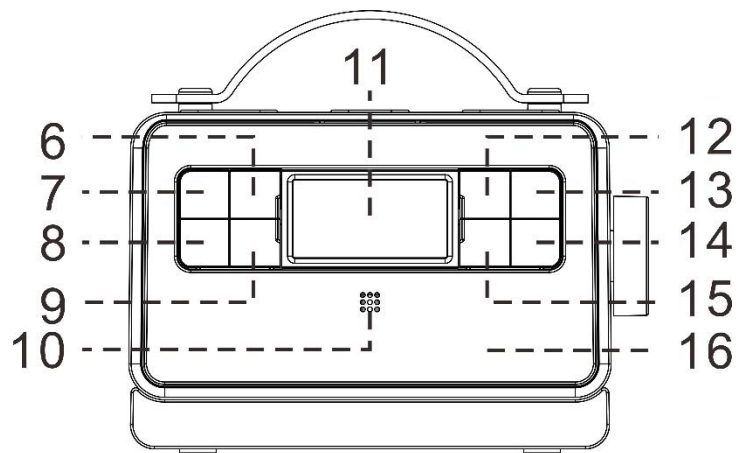
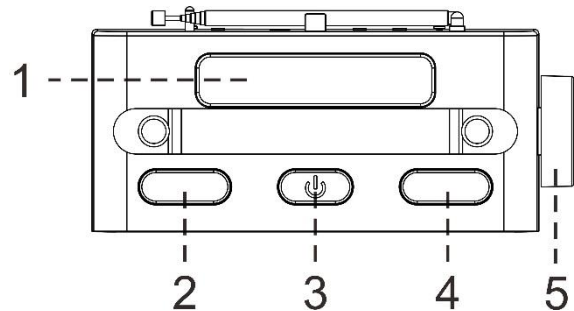


- Adaptador de corriente

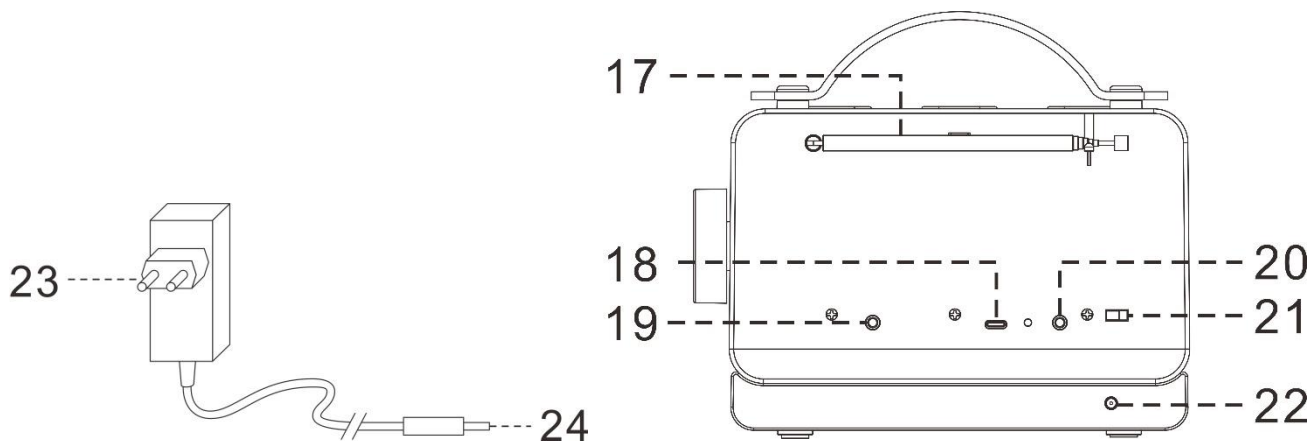


## UBICACIÓN DE LOS CONTROLES

- 1) Soporte para el mando / móvil
- 2) Botón de menú / repetición
- 3) Botón de encendido / apagado
- 4) Botón de sintonía + / -
- 5) Rueda de volumen
- 6) Botón de búsqueda
- 7) Botón de modo
- 8) Botón de aceptar
- 9) Botón de información
- 10) Sensor del mando a distancia
- 11) Pantalla LCD
- 12) Botón de emisora presintonizada n.º 1
- 13) Botón de emisora presintonizada n.º 2
- 14) Botón de emisora presintonizada n.º 3
- 15) Botón de emisora presintonizada n.º 4
- 16) Altavoz
- 17) Antena FM
- 18) Conector tipo C
- 19) Entrada de auriculares de 3,5 mm
- 20) Conector de salida de línea
- 21) Cambio de modo fácil-normal
- 22) Entrada de alimentación de la estación de carga
- 23) Adaptador CA/CC
- 24) Conector de CC







### Precaución:

El uso de los controles o los procedimientos distintos a los especificados aquí puede resultar en una exposición peligrosa a la radiación.

Solo el personal de servicio cualificado debe ajustar o reparar este aparato.

### Importante:

Puesto que los circuitos sensibles puede causar interferencia con un sintonizador de radio cercano, apague el aparato mientras utiliza otros dispositivos de radio.

**Dada la complejidad del control de la MCU (unidad de control multipunto), desenchufe la fuente de alimentación principal de la unidad si ésta se detiene durante el funcionamiento. No es un fallo del sistema.**

### Precauciones de uso

#### Instalación

1. Desempaquete todas las piezas y retire el material protector.
2. No conecte la unidad a la corriente sin comprobar la tensión eléctrica y que se han hecho todas las demás conexiones.
3. No cubra ninguna rejilla de ventilación y asegúrese de que hay un espacio de varios centímetros alrededor del aparato para la ventilación.

#### Conexión

1. Inserte el conector de alimentación (24) a la entrada de alimentación (22) de la estación de carga, luego conecte el adaptador CA/CC (23) a la salida de CA.
2. Coloque la unidad principal en la estación de carga para cargarla.
3. Encienda el aparato pulsando el botón de encendido/apagado (3); si aparece texto en la pantalla LCD, significa que el suministro de corriente es normal. Ahora el sistema está lista para reproducir música.
- 4.

#### Observaciones:

1. Para asegurar la vida de la batería recargable incorporada, el aparato se apagará tras el apagado si se desconecta de la estación de carga. Y el mando no puede encender el aparato si este está desconectado de la estación de carga. Puse el botón de encendido/apagado (3) de la unidad principal para encenderla en esta condición.
2. Se recomienda conectar el aparato a la estación de carga al usarlo en casa. De modo que el aparato pueda permanecer en el modo de suspensión después de apagarlo y se pueda usar el mando a distancia para

## Ajuste de la hora y la fecha

El reloj se sincronizará con la hora de RDS/DAB después de recibir la señal si no se ha ajustado anteriormente.

Siga las siguientes instrucciones para ajustar la hora y la fecha manualmente.

1. Encienda el aparato pulsando el botón de encendido/apagado (3), luego pulse el botón MODE (7) para seleccionar el modo FM o DAB.
2. Pulse el botón MENU (2) y el botón de sintonía + / - (4) para seleccionar <System> (sistema); pulse el botón ENTER (8) para confirmar.
3. La pantalla mostrará <Time> (hora), pulse el botón ENTER (8) para acceder.
4. La pantalla mostrará <Set time/Date> (ajustar hora/fecha), pulse el botón ENTER (8) para acceder.
5. Ajuste la hora y los minutos pulsando el botón de sintonía + / - (4) y pulse el botón ENTER (8) para confirmar.
6. La pantalla cambiará a «Set date 1-1-2020» (ajustar fecha 1-1-2020). Ajuste entonces el día / mes / año pulsando el botón de sintonía + / - (4) y pulse el botón ENTER (8) para confirmar.
7. La pantalla mostrará <Time saved> (hora guardada), lo que significa que la hora y la fecha se han guardado correctamente.
8. En la configuración <System> (sistema) <Time> (hora), también puede ajustar el formato de la hora y la fecha.

Por favor, siga el siguiente desglose del menú para su funcionamiento.

Pulse el botón de sintonía + / - (4) para seleccionar y luego el botón ENTER (8) para acceder/confirmar.

Pulse el botón MENU (2) de nuevo para salir de la configuración.

<System> (sistema)	<Time> (hora)	<Set time/Date> (ajustar hora/fecha)	Siga las instrucciones de «Ajuste de la hora y la fecha»
		<Auto update> (actualización automática)	Update from Any (actualizar desde cualquier fuente): El sistema actualizará la hora y la fecha de forma automática al recibir la señal RDS/DAB
			Update from DAB (actualizar desde DAB): El sistema actualizará la hora y la fecha de forma automática al recibir la señal DAB
			Update from FM (actualizar desde FM): El sistema actualizará la hora y la fecha de forma automática al recibir la señal RDS
			No update (sin actualizar): Si prefiere ajustar la hora de forma manual, elija esta configuración
		<Set 12/24 hour> (configurar 12/24 horas)	Set 24 hour (establecer 24 horas)
			Set 12 hour (establecer 12 horas)
		<Set date format> (configurar formato de fecha)	DD-MM-AAAA
			MM-DD-AAAA

- **Se restablecerá el tiempo predeterminado si se desconecta de la fuente de alimentación principal. Se recomienda cambiar el sistema al modo de suspensión para un uso más cómodo.**

## Escuchar la radio

---

### Funcionamiento en FM

#### Sintonización manual

1. Encienda el aparato pulsando el botón de encendido/apagado (3), luego pulse el botón MODE (7) para seleccionar el modo FM.
2. Pulse el botón de sintonía + / - (4) para sintonizar la emisora deseada.
3. Gire la rueda de volumen (5) hacia arriba o hacia abajo para ajustar el volumen.

#### Sintonización automática

1. Mantenga pulsado el botón de sintonía + / - (4) unos segundos y suéltelo. El aparato empezará a buscar hacia arriba o hacia abajo hasta que se reciba una emisora de radio.
2. Gire la rueda de volumen (5) hacia arriba o hacia abajo para ajustar el volumen.

#### Consejos sobre la recepción:

Extienda la antena telescópica para mejorar la recepción.

#### Ajustes de búsqueda FM

Después de la sintonización automática, si se han recibido demasiadas emisoras no deseada con señal débil, puede seleccionar solo las emisoras con señal fuerte filtrando las **señales** más débiles.

1. En el modo FM, pulse el botón MENU (2) y la pantalla mostrará <Scan setting> (ajustes de búsqueda), luego pulse el botón ENTER (8).
2. Pulse el botón de sintonía + / - (4) para seleccionar «Strong station only» (solo emisoras con señal fuerte). Luego pulse el botón ENTER (8) para confirmar el ajuste.
3. Vuelva a realizar la sintonización automática como en el paso anterior.

#### Recepción FM mono y estéreo

Por defecto, todas las emisoras se reproducen en estéreo. En el caso de una señal débil, esto puede dar lugar a una mala relación señal/ruido.

Para reproducir una señal débil en el modo mono, siga los siguientes pasos para cambiar el ajuste entre estéreo y mono.

1. Pulse el botón MENU (2) y el botón de sintonía + / - (4) para seleccionar <Audio setting> (ajustes de audio). Luego pulse el botón ENTER (8) para confirmar.
2. Pulse el botón de sintonía + / - (4) para seleccionar <Forced mono> (mono forzado). Luego pulse el botón ENTER (8) para confirmar el ajuste.
3. Cuando desee cambiar a las señales en estéreo, siga el mismo procedimiento, pero seleccione <Stereo allowed> (estéreo permitido).

#### Ajustes de audio:

1. Pulse el botón MENU (2) y el botón de sintonía + / - (4) para seleccionar «Audio setting» (ajustes de audio); luego pulse el botón ENTER (8) para confirmar.
2. Pulse el botón Tune +/- (4) para seleccionar «Force mono» (forzar mono) y, a continuación, pulse el botón Confirmar Enter (8) para confirmar.

#### Consejos para una mejor recepción:

FM: el receptor dispone de una antena de varilla (17) en la parte trasera. Esta antena debe estar totalmente extendida para una mejor recepción.

#### Sistema de radiodifusión de datos (RDS)

Esta es la característica que muestra la información enviada desde la emisora de radio y aparecerá en la pantalla LCD una por una como se indica a continuación pulsando el botón (9) continuamente.

Texto de radio → Tipo de programa → Frecuencia → Mono/estéreo → Hora → Fecha

### **Memoria de estaciones presintonizadas**

Puede almacenar hasta 10 emisoras FM en la memoria

1. Cambie a la emisora deseada con los métodos de sintonización «manual» o «automática».
2. Mantenga pulsado el botón PRESINTONÍA en el mando durante 2-3 segundos, la pantalla mostrará «Preset Store» (almacén de presintonías) <1: (Empty)> (1: vacío).
3. Luego pulse el botón de sintonía + / - en el aparato o el mando para seleccionar el número de presintonía deseado.
4. Pulse el botón ENTER para almacenar la ubicación (1-10). La pantalla mostrará «Preset 'X' stored» (presintonía 'X' almacenada)

### **Observaciones:**

1. Si la emisora presintonizada ya está almacenada, la pantalla mostrará la frecuencia junto a la emisora presintonizada, p. ej. : <1: 94.50MHz >.
2. La emisora presintonizada se sobrescribirá cuando se almacene una nueva emisora.
3. Los números de presintonía 1, 2, 3 y 4 se pueden almacenar directamente manteniendo pulsado los botones (12), (13), (14) o (15) en la unidad principal después de cambiar a la emisora deseada.

### **Recuperar una presintonía de la memoria:**

1. Pulse el botón PRESINTONÍA en el mando a distancia para recuperar la emisora presintonizada directamente.
2. Para la emisora n.º 1, el botón (12) / n.º 2, (13) / n.º 3, (14) / n.º 4, (15), en la unidad principal para recuperar esas cuatro emisoras presintonizadas. Pulse el botón MENU (2), luego pulse el botón de sintonía + / - (4) para seleccionar «Preset Recall» (recuperar presintonía).
3. La pantalla mostrará la frecuencia de la emisora presintonizada y el número de presintonía almacenado (P1, P2, P3, etc).

### **Radio de transmisión digital de audio (DAB)**

1. Encienda el aparato pulsando el botón de encendido/apagado (3), luego pulse el botón MODE (7) para seleccionar el modo DAB.
2. El aparato buscará automáticamente todas las emisoras disponibles en el modo DAB.
3. O pulse el botón MENU (2) una vez, la pantalla mostrará <Full scan> (búsqueda completa). Pulse el botón ENTER (8) para confirmar; el aparato comenzará la búsqueda completa y se mantendrán todas las emisoras recibidas en la lista de emisoras.
4. Pulse el botón de sintonía + / - (4) para seleccionar la emisora DAB deseada y luego pulse el botón ENTER (8) para confirmar la emisora seleccionada.
5. Gire la rueda de volumen hacia arriba o hacia abajo (5) para ajustar el volumen.
6. Pulse el botón INFO continuamente para ver la siguiente información enviada por DAB.  
Fuerza de la señal → Tipo de programa → Nombre del grupo → Frecuencia → error de señal →  
Velocidad de transmisión → Hora → Fecha

### **Sintonización manual**

1. Encienda el aparato pulsando el botón de encendido/apagado (3), luego pulse el botón MODE (7) para seleccionar el modo DAB.
2. Pulse el botón MENU (2), luego pulse el botón de sintonía - (4); la pantalla mostrará <Manual tune> (sintonización manual).
3. Pulse el botón ENTER (8) para confirmar y la pantalla mostrará las emisoras DAB.
4. Pulse el botón de sintonía + / - (4) para pasar entre las emisoras DAB y luego pulse el botón ENTER (8) para acceder a la emisora.
5. Gire la rueda de volumen hacia arriba o hacia abajo (5) para ajustar el volumen.

### **Información de la pantalla**

Esta es la característica que muestra la información enviada desde la emisora de radio y aparecerá en la pantalla LCD una por una como se indica a continuación pulsando el botón (9) continuamente.

Texto de radio → Tipo de programa → Frecuencia → Mono/estéreo → Hora → Fecha

### Valor de DRC (Control de rango dinámico)

Puede ajustar el nivel de compresión de una emisora para eliminar la diferencia en el rango dinámico o el nivel de sonido entre las emisoras.

1. Ajuste en el modo DAB. Pulse el botón MENU (2) y el botón de sintonía + / - (4) para seleccionar <DRC>. Pulse el botón ENTER (8) para acceder al ajuste.
2. Pulse el botón de sintonía + / - (4) para seleccionar el nivel de DRC deseado y luego pulse el botón ENTER (8) para confirmar la selección.

### Orden de emisoras

1. Ajuste en el modo DAB. Pulse el botón MENU (2) y el botón de sintonía + / - (4) para seleccionar <Station order> (orden de emisoras). Pulse el botón ENTER (8) para acceder al ajuste.
2. Pulse el botón de sintonía + / - (4) para buscar «Alphanumeric» (alfanumérico) y «Ensemble» (conjunto) y luego pulse el botón ENTER (8) para confirmar la selección.

### Eliminar emisoras inactivas

1. Ajuste en el modo DAB. Pulse el botón MENU (2) y el botón de sintonía + / - (4) para seleccionar <Prune> (eliminar). Pulse el botón ENTER (8) para acceder al ajuste.
2. Pulse el botón de sintonía + / - (4) para seleccionar «Yes» (sí) y luego pulse el botón ENTER (8) para confirmar.

### Memoria de estaciones presintonizadas

Puede almacenar 10 emisoras DAB en la memoria, y los pasos para ello son los mismos que con las emisoras FM.

### Configuración del sistema

Configurar el modo FM o DAB. Pulse el botón MENU (2) y el botón de sintonía + / - (4) para seleccionar <System>. Pulse el botón ENTER (8) para acceder al ajuste del tiempo, la retroiluminación, el modo de suspensión, el idioma.

Pulse el botón de sintonía + / - (4) para seleccionar y luego el botón ENTER (8) para acceder/confirmar.

Pulse el botón MENU (2) de nuevo para salir de la configuración.

Hora

- Consulte la sección «Ajuste de la hora y la fecha».

<System> (sistema)	<Backlight> (retroiluminación)	<Timeout> (tiempo de espera):	Para ajustar la duración de la pantalla para cambiar el brillo de retroiluminación de «On level» (nivel de encendido) a «Dim level» (nivel de atenuación) en el modo de suspensión. <10 sec>, <20 sec>, <30 sec>, <45 sec>, <60 sec>, <90 sec>, <120 sec>, <180 sec>, <ON>
		<On level> (nivel de encendido)	El brillo de retroiluminación cuando está encendido <High> (alto), <Medium> (medio), <Low> (bajo)
		<Dim level> (nivel de atenuación)	El brillo de retroiluminación cuando está en modo de suspensión <High> (alto), <Medium> (medio), <Low> (bajo)

<System> (sistema)	<Inactive Standby> (modo de suspensión)	<OFF> (apagado), <2 hour>, <4 hour>, <5 hour>, <6 hour>
<System> (sistema)	<Language> (idioma)	English, Español, Francais, Italiano, Nederlands, Norsk, Polski, Suomi, Dansk, Deutsch
<System> (sistema)	<Factory Reset> (restablecer datos)	Cuando realice un reinicio de fábrica, se borrarán todas las emisoras presintonizadas y la configuración del idioma; el aparato volverá a los ajustes de fábrica. <Yes> (sí), <No>
<System> (sistema)	<Software Upgrade> (actualización del software)	<Yes> (sí), <No>
<System> (sistema)	<SW Version> (versión del software)	Para comprobar la versión del software

## Conexión y reproducción Bluetooth


1. Encienda el aparato pulsando el botón de encendido/apagado (3), luego pulse el botón MODE (7) para seleccionar el modo Bluetooth.
2. «Bluetooth» aparecerá en la pantalla LCD. Eso significa que el Bluetooth está en modo de búsqueda.
3. Active el Bluetooth en su dispositivo (como un teléfono móvil) y seleccione «Lenco PDR-065» para conectarse.
4. Cuando se haya conectado con éxito, la pantalla LCD mostrará «BT Connected» (Bluetooth conectado).
5. Comience la reproducción en su dispositivo Bluetooth y disfrute de la música.
6. Gire la rueda de volumen (5) hacia arriba o hacia abajo para ajustar el volumen.
7. Puede pulsar el botón de saltar hacia delante ►► o hacia atrás ◄◄ de su dispositivos Bluetooth para controlar la reproducción de música.
8. Para desconectar el Bluetooth, pulse el botón MODE (7) para cambiar a otro modo o desactive el Bluetooth de su dispositivo. La pantalla LCD mostrará «Bluetooth» de nuevo para emparejar otro dispositivo o apagar el aparato. Repita los pasos 3-5 para conectar otro dispositivo Bluetooth.

## Más características

### A. Ajuste del despertador

Esta función permite que el sistema se encienda de forma automática y le despierte con los modos de zumbador, FM o DAB. Ponga el sistema en el modo DAB / FM, luego pulse el botón MENU (2) y el botón de sintonía + / - (4) para seleccionar <System> (sistema); pulse el botón ENTER (8) para confirmar. Pulse el botón de sintonía + / - (4) para seleccionar <Alarm> (alarma) y luego el botón ENTER (8) para acceder al modo de ajuste del temporizador. La pantalla LCD mostrará la hora de encendido del temporizador, además, en el reloj del temporizador parpadeará los dígitos de la hora, esto significa que el aparato está listo para entrar en el modo de ajuste del temporizador.

- 1) Configurar la alarma 1 : Pulse «Alarm» (alarma) para seleccionar la configuración de la alarma 1. Pulse «OK» para comenzar la configuración.
- 2) Configuración de la hora de encendido : Cuando entre en la configuración de la alarma, los dígitos de la hora parpadeará. Pulse el botón + / - para ajustar la hora y luego pulse ENTER para confirmarla.  
Los dígitos de los minutos parpadearán. Pulse el botón + / - para ajustar los minutos y luego pulse ENTER para confirmarlos.

- 3) Duración : Luego pulse el botón + / - para seleccionar la duración de la alarma entre: 15, 30, 45, 60, 90, 120 (minutos).  
Pulse el botón de sintonía + / - (4) para seleccionar el modo de encendido del temporizador. Luego pulse el botón ENTER (8) para guardar el modo de encendido del temporizador.
- 4) Fuente : Pulse las teclas de arriba / abajo para seleccionar el modo de despertar entre: Buzzer (zumbador), FM, DAB.  
FM/DAB: puede seleccionar entre la última emisora escuchada o la liste de emisoras presintonizadas.  
Pulse el botón + / - para seleccionar y luego OK para confirmar el ajuste.
- 5) Frecuencia : Puede seleccionar la frecuencia de la alarma entre: Daily (diaria), Once (una vez), Weekends (los fines de semana) o Weekdays (los días laborables).  
Si elige Once (una vez), necesitará confirmar la fecha de la alarma.  
Pulse el botón de sintonía + / - (4) para seleccionar el nivel de volumen del temporizador y luego el botón ENTER (8) para completar el ajuste del temporizador. El aparato volverá al modo de suspensión y la pantalla mostrará el icono del temporizador «⌚».
- 6) Alarm encendida / apagada : Pulse el botón + / - para encender o apagar la alarma y luego pulse ENTER para confirmar el ajuste.  
Cuando la alarma esté encendida, se mostrará el icono de la alarma  en la pantalla.  
Por otro lado, el icono de la alarma desaparecerá si esta se apaga.

#### Observaciones: -

- En el caso del modo FM/DAB, el sistema utilizará de forma predeterminada la última frecuencia de radio escuchada antes de apagarse.
- Si se selecciona el zumbador, el aparato emitirá un sonido de «beep beep» en la hora seleccionada.
- El modo de ajuste de la alarma permanecerá durante unos 4 segundos, el sistema volverá al modo normal de forma automática si no se pulsa ningún botón en ese tiempo.

**La alarma solo funciona cuando el dispositivo está conectado a la batería de la estación de carga.**

#### B. REPETICIÓN

Pulse el botón SNOOZE del aparato una vez para extender la alarma 5 minutos con cada pulsación.

#### C. Uso de auriculares

Si introduce el conector de sus auriculares en la toma de auriculares, podrá escuchar en privado.

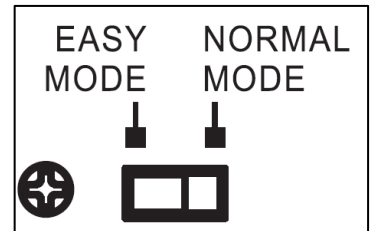
#### LEA ESTA INFORMACIÓN IMPORTANTE ANTES DE USAR SUS AURICULARES

- 1) Evite usarlos a un volumen muy alto durante un periodo de tiempo prolongado, ya que puede perjudicar su audición.
- 2) Si escucha un pitido en los oídos, reduzca el volumen o apague el aparato.
- 3) Mantenga el volumen a un nivel razonable para poder escuchar los sonidos del exterior.

#### D. Cambio de modo fácil – normal

Este sistema tiene un cambio de modo fácil-normal integrado en el panel posterior. Cambie al modo fácil para simplificar la interfaz del dispositivo, lo que puede facilitar su uso a los mayores.

Deslice el interruptor del modo fácil-normal a la posición del modo fácil: solo seguirán funcionando los botones de encendido/apagado (3) y de presintonía 1 – 4 (12 – 15) y la rueda de volumen (5). Los demás botones estarán desactivados.



EN	ES
EASY MODE	MODO FÁCIL
NORMAL MODE	MODO NORMAL

«Information (Información)»	Notas	
Nombre de los fabricantes o marcas registradas, registro comercial y dirección	-	Shenzhen ABP Technology Co. Ltd. Dirección: 2 <sup>nd</sup> floor, B2 Building, Xin hao sheng Industrial zone, Yonghe Road, Qiaotou, Fuhai Street, Bao an District, Shenzhen City, Guangdong 518103, P.R. China
Identificador de modelo	-	AD0181-0552500GB
Tensión de entrada	Especificado por el fabricante. Debe ser un valor o un rango.	100-240 V
Frecuencia CA de entrada	Especificado por el fabricante. Debe ser un valor o un rango.	50/60 Hz
Tensión de salida	Tensión de salida de la placa de características. Debe indicar si es CA o CC.	5,5 V
Corriente de salida	Corriente de salida de la placa de características.	2,5 A
Potencia de salida	Potencia de salida de la placa de características.	13,75 W
Eficiencia activa media	Declarada por el fabricante en base al valor calculado como media aritmética de la eficiencia en las condiciones de carga 1-4.	87,403 %



Eficiencia con carga baja (10 %)	Declarada por el fabricante en base al valor calculado en la condición de carga 5. Las fuentes de alimentación externas con una potencia de salida en placa de 10 W o menos estarán exentas de este requisito.	71,9 %
Consumo energético sin carga	Declarado por el fabricante en base al valor calculado en la condición de carga 6.	≤0,1 W

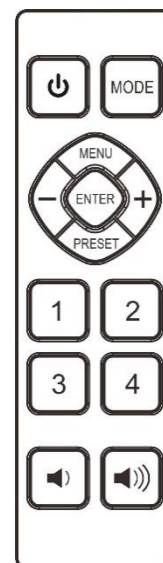
## Transmisor del mando a distancia

### Instalación de las pilas (no incluidas)

El transmisor de infrarrojos funciona con 2 pilas AAA

#### Descripción de los botones

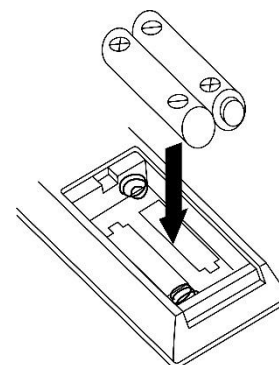
Encendido / modo de suspensión	Pulse para encender el sistema o ponerlo en el modo de suspensión
Modo	Pulse para elegir los modos de funcionamiento
Menú	Pulse para acceder al menú de configuración
- / +	Pulse para elegir las opciones
Aceptar	Pulse para confirmar la configuración
Presintonía	Pulse para acceder a las emisoras de radio FM/DAB presintonizadas
Presintonía n.º 1 – 4	Para recuperar las emisoras de FM/DAB presintonizadas directamente
Subir/bajar el volumen	Pulse para ajustar el nivel de volumen



### INSTALACIÓN DE LAS PILAS

El compartimento de las pilas está ubicado en la parte posterior del mando a distancia.

1. Retire la tapa del compartimento presionando la pestaña y levantándola.
2. Inserte dos (2) pilas AAA (no incluidas) en el compartimento siguiendo las marcas de la polaridad.
3. Vuelva a colocar la tapa del compartimento.



#### ADVERTENCIA SOBRE LAS PILAS

1. Asegúrese de instalar las pilas correctamente. Una polaridad incorrecta puede dañar el aparato.
2. Use solo el tamaño y el tipo de pilas especificados.
3. No mezcle pilas usadas y nuevas.
4. No mezcle pilas alcalinas, estándar (carbón-zinc) o pilas recargables (cadmio).
5. Si no va a usar el aparato durante mucho tiempo, retire las pilas. Las pilas viejas o con fugas pueden causar daños al aparato y anular la garantía.
6. No intente recargar pilas no recargables, se pueden sobrecalentar y romperse. (Siga las instrucciones del fabricante de las pilas).
7. No tire las pilas al fuego, ya que pueden explotar o tener fugas.

**NOTA: Debido a los requisitos de la fase dos de la ERP y para proteger el medioambiente, el aparato pasará al modo de suspensión automáticamente si no se reproduce música después de 15 minutos.**

## **1. Garantía**

Commaxx B.V. ofrece servicio y garantía en conformidad con las leyes europeas, por lo que en caso de requerir una reparación (tanto durante como después del periodo de garantía) debe ponerse en contacto con su distribuidor local.

Nota importante: No es posible enviar directamente a Commaxx B.V. los productos que necesiten reparación.

Nota importante: Si se abre la unidad o se accede a su interior en modo alguno en un centro de mantenimiento no oficial, la garantía quedará anulada.

El dispositivo no es adecuado para un uso profesional. En caso de realizar un uso profesional, todas las obligaciones de garantía del fabricante quedarán anuladas.

## **2. Aviso legal**

Se realizan actualizaciones del firmware y/o componentes de hardware de manera periódica. Por tanto, algunas instrucciones, especificaciones e imágenes de estos documentos podrían diferir ligeramente de su modelo concreto. Todos los elementos descritos en esta guía son únicamente para fines ilustrativos y pueden no corresponderse a su modelo concreto. Las descripciones de este manual no otorgarán ningún derecho legal.

### 3. Eliminación de un dispositivo usado



Este símbolo indica que el producto eléctrico o batería pertinente no debe eliminarse con los residuos domésticos generales en Europa. Para garantizar un tratamiento correcto de los residuos del producto y las pilas, elimínelos en conformidad con las leyes locales vigentes para la eliminación de equipos eléctricos y pilas. Al hacerlo, ayudará a preservar los recursos naturales y mejorar los niveles de protección del medio ambiente en el tratamiento y eliminación de residuos eléctricos (Directiva sobre residuos de aparatos eléctricos y electrónicos).

### 4. DECLARACIÓN DE CONFORMIDAD

Por la presente, Commaxx declara que el tipo de equipo radioeléctrico [Lenco PDR-065] es conforme con la Directiva 2014/53/UE. El texto completo de la declaración UE de conformidad está disponible en la dirección Internet siguiente:

[https://commaxx-certificates.com/doc/pdr-065\\_doc.pdf](https://commaxx-certificates.com/doc/pdr-065_doc.pdf)

Tipo de radiofrecuencia	Rango de frecuencia (MHz)	Potencia (dBm)
Bluetooth	2402-2480	< 6
DAB	174-240	-
FM	87.5-108	-

### 5. Servicio

Para más información y atención al cliente, visite [www.lenco.com](http://www.lenco.com)

Commaxx B.V. Wiebachstraat 37, 6466 NG Kerkrade, The Netherlands.

**FORSIGTIG:**

Hvis enheden ikke anvendes, justeres og behandles i overensstemmelse med brugervejledningen, kan det resultere i eksponering for farlig stråling.

**FORHOLDSREGLER FØR IBRUGTAGNING**

**HUSK DISSE ANVISNINGER:**

1. Ventilationsåbninger må ikke tildækkes eller blokeres. Hvis enheden placeres på en hylde, skal der altid være 5 cm (2") frirum på alle sider af enheden.
2. Installér enheden iht. anvisningerne i den medfølgende brugervejledning.
3. Hold enheden væk fra varmekilder som radiatorer, varmeapparater, brændeovne, stearinlys og andre varmegenererende produkter eller åben ild. Enheden kan kun bruges i moderate klimaer. Ekstremt kolde eller varme omgivelser bør undgås. Driftstemperatur mellem 0 °C og 35 °C.
4. Undlad at anvende enheden nær stærke magnetfelter.
5. Elektrostatisk afladning kan forstyrre normal brug af denne enhed. Sker det, skal du blot nulstille og genstarte enheden i henhold til anvisningerne i brugervejledningen. Under filoverførsel skal du være forsigtig og arbejde i et miljø uden statisk elektricitet.
6. Advarsel! Stik aldrig en genstand ind i produktet gennem ventilationshullerne eller åbningerne. Der løber højspænding gennem produktet, og hvis du stikker en genstand ind, kan det give elektrisk stød og / eller kortslutte interne dele. Af samme grund må der ikke spildes vand eller væske på produktet.
7. Benyt ikke enheden på våde eller fugtige steder som fx på et badeværelse, i et dampfyldt køkken eller nær en swimmingpool.
8. Enheden må ikke udsættes for dryp eller stænk. Der må ikke anbringes genstande fyldt med væske, som fx vaser, på eller i nærheden af apparatet.
9. Brug ikke denne enhed, når der kan opstå kondens. Hvis enheden placeres i et varmt og fugtigt rum, kan der danne sig vanddråber eller kondens i den, og den kan muligvis ikke fungere korrekt. Lad enheden være slukket i 1-2 timer, inden du tænder den. Enheden skal være tør, når der tændes for strømmen.
10. Selvom denne enhed er fremstillet med den største omhu og kontrolleret flere gange, før den forlader fabrikken, er det stadig muligt, at der kan opstå problemer, som med alle elektriske apparater. Hvis du bemærker røg, overdreven varmeudvikling eller andre uventede fænomener, skal du straks tage stikket ud af stikkontakten.
11. Denne enhed skal fungere på en strømkilde som angivet på specifikationsetiketten. Hvis du ikke er sikker på, hvilken forsyningsspænding, der anvendes i dit hjem, bør du søge vejledning hos din forhandler eller det lokale elselskab.
12. Holde væk fra dyr. Nogle kæledyr kan finde på at bide i strømkabler.
13. Brug en blød, tør klud til at rengøre enheden. Brug ikke opløsningsmidler eller benzinbaserede væsker. Hårnakkede pletter kan fjernes med en let fugtet klud med en mild sæbeopløsning.
14. Producenten er ikke ansvarlig for skade eller mistede data, der skyldes fejlfunktion, misbrug, ændringer af enheden eller udskiftning af batterier.
15. Undlad at afbryde forbindelsen, mens enheden formateres, eller der overføres filer. Ellers kan data blive beskadiget eller gå tabt.
16. Hvis enheden har USB-afspilningsfunktion, skal USB-hukommelsesnøglen tilsluttes direkte til enheden. Brug ikke et USB-forlænger-kabel, da det kan forårsage interferens og dermed ødelægge data.
17. Mærkepladen findes i bunden eller på bagsiden af enheden.
18. Denne enhed må ikke bruges af personer (inkl. børn) med nedsatte fysiske motoriske eller mentale evner eller manglende erfaring, medmindre de er blevet instrueret i brugen af en person, der er ansvarlig for deres sikkerhed, og er under dennes opsyn.
19. Produktet er udelukkende beregnet til professionel brug, ikke til kommerciel eller industriel anvendelse.
20. Sørg for, at enheden er justeret til en stabil position. Skade, der skyldes anvendelse af produktet i en ustabil position, vibrationer, stød eller manglende overholdelse af de retningslinjer og andre advarsler, der er udstukket i denne brugervejledning, dækkes ikke af garantien.
21. Åbn aldrig enhedens kabinet.
22. Placér aldrig denne enhed ovenpå andet elektrisk udstyr.
23. Lad ikke børn få adgang til plastposer.
24. Brug kun tilslutninger / tilbehør, der er angivet af producenten.
25. Overlad al service til kvalificeret servicepersonale. Service er påkrævet, hvis enheden på nogen måde er beskadiget, hvis f.eks. strømkablet eller stikket er beskadiget, hvis der er spildt væske på enheden, eller hvis en genstand er faldet ned i den, hvis enheden har været udsat for regn eller fugt, ikke fungerer korrekt eller er blevet tabt.

26. Langvarig lytning til musik ved høj lydstyrke kan medføre midlertidigt eller permanent høretab.
27. Hvis produktet leveres med strømkabel eller strømforsyning til vekselstrøm:
- Hvis der opstår problemer, skal du trække strømkablet ud af kontakten og overlade al service til en kvalificeret tekniker.
  - Undgå at træde på eller klemme strømadapteren. Vær meget forsigtig, især i nærheden af stikkene og kablets udgang. Placer ikke tunge genstande på strømadapteren, da de kan beskadige den. Hold hele enheden uden for børns rækkevidde! Hvis børn leger med strømkabler, kan de komme slemt til skade.
  - Tag stikket ud af stikkontakten i tordenvejr, samt hvis du ikke skal bruge enheden i længere tid.
  - Enheden skal placeres nær stikkontakten, og der skal altid være let adgang til den stikkontakt, enheden er tilsluttet.
  - Overbelast ikke stikkontakter eller forlængerledninger. Overbelastning kan forårsage brand eller elektrisk stød.
  - Enheder med klasse 1-opbygning bør forbindes til en stikkontakt med jord.
  - Enheder med klasse 2-opbygning kræver ikke jordforbindelse.
  - Hold altid i stikket, når du trækker det ud af stikkontakten. Træk ikke i netledningen. Det kan forårsage en kortslutning.
  - Brug ikke en beskadiget ledning eller stik eller en løs stikkontakt. Det kan resultere i brand eller elektrisk stød.
28. Hvis produktet indeholder eller leveres med en fjernbetjening indeholdende knapcellebatterier:  
Advarsel:
- "Slug ikke batteriet. Der er risiko for kemisk forbrænding" eller tilsvarende.
  - [Fjernbetjeningen leveres med] Dette produkt indeholder et knapcellebatteri, der, hvis det sluges, kan forårsage kraftig indre forbrænding på blot 2 timer og kan medføre dødsfald.
  - Hold nye og brugte batterier udenfor børns rækkevidde.
  - Hvis batterirummet ikke kan lukkes sikkert, skal du holde op med at bruge produktet og holde det udenfor børns rækkevidde.
  - Hvis du tror, et batteri kan være blevet slugt eller placeret inden i nogen del af kroppen, skal du omgående søge lægehjælp.
29. Advarsler omkring brug af batterier:
- Eksplosionsfare, hvis batteriet udskiftes forkert. Udskift kun batteriet med den samme eller en tilsvarende type.
  - Batteriet må ikke udsættes for ekstremt høje eller lave temperaturer eller lavt lufttryk ved stor højde under brug, opbevaring eller transport.
  - Udskiftning af et batteri med et andet af forkert type kan medføre eksplosion eller lækage af brændbar væske eller gas.
  - Bortskaffelse af batterier ved afbrænding eller i en varm ovn eller ved mekanisk knusning eller opskæring af et batteri kan medføre en eksplosion.
  - Hvis et batteri efterlades i omgivelser med ekstremt høje temperaturer, kan det medføre eksplosion eller lækage af brændbar væske eller gas.
  - Hvis et batteri udsættes for ekstremt lavt lufttryk, kan det medføre eksplosion eller lækage af brændbar væske eller gas.
  - Tænk på miljøet ved bortskaffelse af brugte batterier.

#### **INSTALLATION**

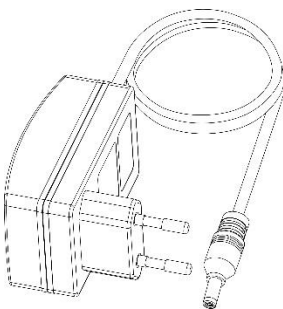
- Udpak alle dele, og fjern beskyttelsesmaterialerne.
- Slut ikke enheden til lysnettet, før du har kontrolleret forsyningsspændingen og foretaget alle nødvendige tilslutninger.

## Tilbehør

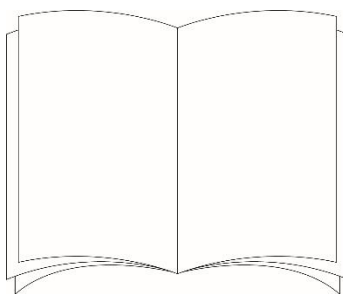
- Fjernbetjening



- Strømforsyning

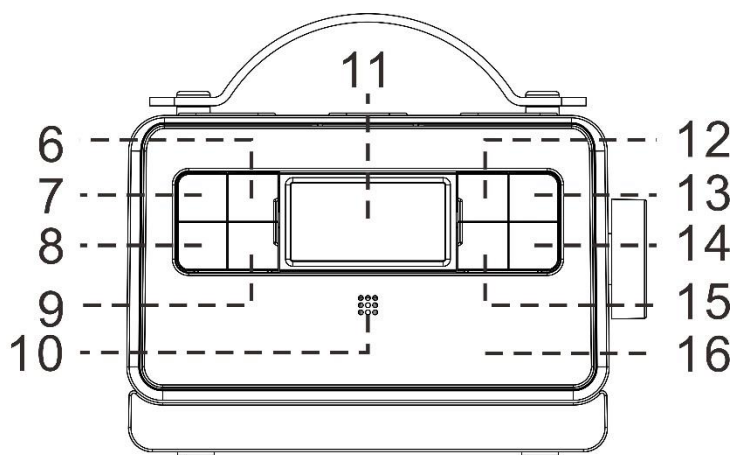
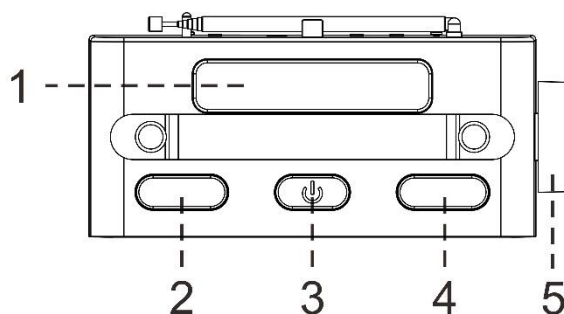


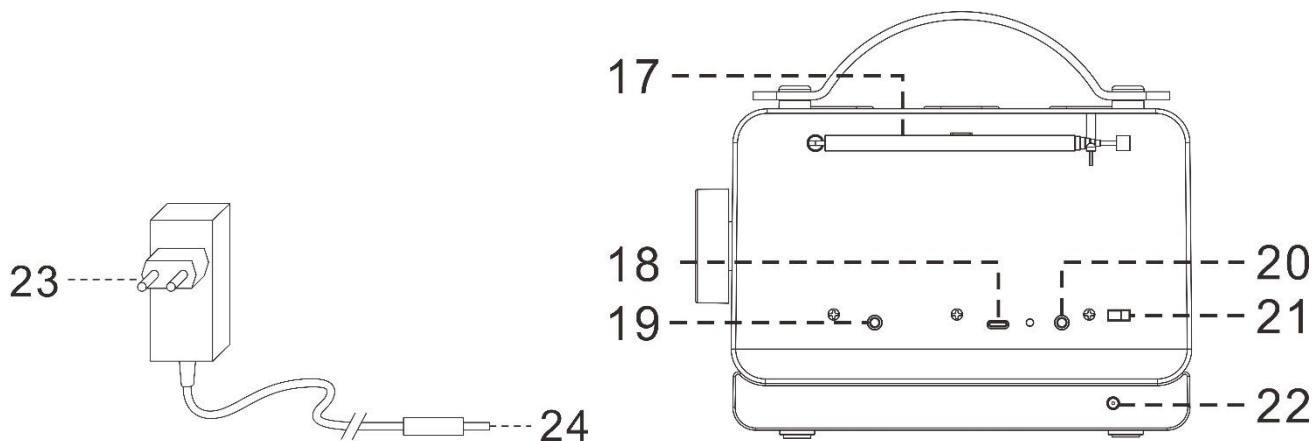
- Brugervejledning



## KNAPPER OG KONTROLLER

- 1) Holder til fjernbetjening/mobil
- 2) Menu/-snooze-knap
- 3) Tænd/sluk-knap
- 4) Knappen Indstilling +/-
- 5) Lydstyrkeknap
- 6) Knappen Søg
- 7) Knappen Tilstand
- 8) Knappen Enter
- 9) Knappen Info
- 10) Fjernbetjeningssensor
- 11) LCD-display
- 12) Knappen Forudindstillet station nr. 1
- 13) Knappen Forudindstillet station nr. 2
- 14) Knappen Forudindstillet station nr. 3
- 15) Knappen Forudindstillet station nr. 4
- 16) Højtaler
- 17) FM-antenne
- 18) Type C-stik
- 19) 3,5 mm stik til hovedtelefoner
- 20) Linjeudgang
- 21) Kontakt til Easy-Normal-tilstand
- 22) DC-stik på opladerens dockingstation
- 23) AC/DC-adapter
- 24) DC-stik





### Forsigtig:

Hvis apparatet ikke anvendes i overensstemmelse med betjeningsvejledningen, kan det resultere i stråling med farligt laserlys.

Dette apparat må ikke justeres eller repareret af folk, der ikke besidder de dertil nødvendige faglige kvalifikationer.

### Vigtigt:

Da det følsomme kredsløb kan forårsage interferens med radiotuneren i nærheden, skal du slukke for denne enhed, mens du bruger andre radioenheder.

**På grund af MCU-kontrollens kompleksitet skal du tage stikket ud af enhedens hovedstrømforsyning, hvis enheden holder op med at fungere under drift! Dette er ikke en funktionsfejl i systemet!**

### Forholdsregler ved brug

#### Installation

1. Udpak alle dele, og fjern beskyttelsesmaterialerne.
2. Slut ikke enheden til lysnettet, før du har kontrolleret forsyningsspændingen og foretaget alle nødvendige tilslutninger.
3. Tildæk ikke ventilationsåbningerne, og sørg for, at der er et frirum på flere cm omkring hele enheden, så nødvendig ventilation kan finde sted.

#### Tilslutning

1. Sæt jævnstrømsstikket (24.) i jævnstrømsstikket (22.) på opladerens dockingstation, og tilslut derefter AC/DC-adapteren (23.) til en stikkontakt.
2. Sæt hovedenheden på dockingstationen til opladning.
3. Tænd for enheden ved at trykke på tænd/sluk-knappen (3.). Hvis LCD-displayet er tændt med tekst, betyder det, at strømforsyningen er normal. Nu er dit system klar til at afspille musik.

#### Bemærkninger:

1. For at sikre det indbyggede genopladelige batteris levetid slukker enheden, hvis den ikke er forbundet med ladestationen. Og fjernbetjeningen kan ikke tænde for enheden, hvis den ikke er forbundet med ladestationen. Tryk på tænd/sluk-knappen (3.) på hovedenheden for at tænde for enheden i denne tilstand.
2. Det anbefales at tilslutte enheden til ladestationen til hjemmebrug. Så kan enheden forblive i standbytilstand, når den er slukket, og du kan bruge fjernbetjeningen



## Indstilling af tid og dato

Uret synkroniseres med RDS/DAB-uret, når det modtager RDS/DAB-signalet, hvis uret ikke er indstillet i forvejen.

Følg nedenstående trin for at indstille tid og dato manuelt.

1. Tænd for enheden ved at trykke på tænd/sluk-knappen (3.), og tryk derefter på knappen Tilstand (7.) for at vælge FM- eller DAB-tilstand.
2. Tryk på knappen Menu (2.), og tryk på Indstilling +/- (4) for at vælge <System>, og tryk på Enter-knappen (8.) for at bekræfte.
3. Displayet viser <Time> (Tid). Tryk på Enter-knappen (8.) for at indtaste.
4. Displayet viser <Set time/Date> (Indstil tid/dato). Tryk på Enter-knappen (8.) for at indtaste.
5. Indstil timer og minutter ved at trykke på Indstilling +/- (4), og tryk på Enter-knappen (8.) for at bekræfte.
6. Displayet skifter til "Set date 1-1-2020" (Indstil dato 1-1-2020). Indstil derefter dag/måned/år ved at trykke på Indstilling +/- (4), og tryk på Enter-knappen (8) for at bekræfte.
7. Displayet viser <Time saved> (Tid gemt), hvilket betyder, at tid og dato er blevet gemt.
8. Under indstillingen <System> <Time> (Tid) kan du også indstille time-/datoformatet.  
Følg nedenstående oversigt over menuen for betjening.  
Tryk på knappen Indstilling +/- (4) for at vælge, og tryk på knappen Enter (8.) for at indtaste/bekræfte.  
Tryk på Menu-knappen (2.) igen for at afslutte indstillingen.

<System>	<Time> (Tid)	<Set time/Date> (Indstil tid/dato)	Følg vejledningen "Indstilling af tid og dato"
		<Auto update> (Automatisk opdatering)	Opdatering fra Enhver (systemet opdaterer automatisk tid og dato, når det modtager RDS/DAB-signalet)
			Opdatering fra DAB (Systemet opdaterer automatisk tid og dato, når det modtager DAB-signalet)
			Opdatering fra FM (Systemet opdaterer automatisk tid og dato, når det modtager RDS-signalet)
			Ingen opdatering (Hvis du foretrækker at indstille tid og dato manuelt, skal du vælge denne indstilling)
	<Set 12/24 hour> (Indstil 12/24 timer)	Indstil 24 timer	
		Indstil 12 timer	
	<Set date format> (Indstil datoformat)	DD-MM-YYYY	
		MM-DD-YYYY	

- Den forudindstillede tid nulstilles helt, hvis hovedstrømforsyningen afbrydes. Det anbefales at sætte systemet i standbytilstand for at gøre det nemmere at bruge.

## Sådan lytter du til radio

### Betjening af FM

#### Manuel indstilling

1. Tænd for enheden ved at trykke på tænd/sluk-knappen (3.), og tryk derefter på knappen Tilstand (7.) for at vælge FM-tilstand.

2. Tryk på knappen Indstilling +/- (4) for at indstille den ønskede station.
3. Drej volumenknappen op/ned (5.) til det ønskede lydstyrkeniveau.

### **Automatisk indstilling**

1. Tryk og hold knappen Indstilling +/- (4) nede i et stykke tid, og slip derefter knappen. Enheden begynder at scanne i op- eller nedadgående retning, indtil den modtager en radiostation.
2. Drej volumenknappen op/ned (5.) til det ønskede lydstyrkeniveau.

### **Tips til modtagelse:-**

Forlæng den teleskopiske antenne for at opnå den bedste modtagelse.

### **Indstilling af FM-scanning**

Hvis der modtages for mange uønskede svage radiostationer efter automatisk indstilling, kan du kun vælge stærke stationer ved at filtrere de svagere **signaler** fra.

1. I FM-tilstand skal du trykke på Menu-knappen (2.), og displayet vil vise <Scan setting> (Scanningsindstilling), og derefter skal du trykke på Enter-knappen (8.).
2. Tryk på knappen Indstilling +/- (4) for at vælge "Strong station only" (Kun stærk station). Tryk derefter på Enter-knappen (8.) for at bekræfte indstillingen.
3. Udfør den automatiske indstilling igen som ovenfor.

### **Modtagelse af FM-mono og FM-stereo**

Som standard gengives alle stereostationer i stereo. For svage signaler kan dette resultere i et dårligt signal/støjforhold.

Hvis du vil afspille et svagt signal i mono-tilstand, skal du følge nedenstående trin for at skifte mellem stereo- og mono-indstilling.

1. Tryk på knappen Menu (2.), og tryk på knappen Indstilling +/- (4) for at vælge <Audio setting> (Lydindstilling). Tryk derefter på Enter-knappen (8.) for at bekræfte.
2. Tryk på knappen Indstilling +/- (4) for at vælge <Forced mono> (Tvunget mono). Tryk derefter på Enter-knappen (8.) for at bekræfte indstillingen.
3. Når du ønsker at skifte til stereosignaler, skal du følge samme procedure, men vælge <Stereo allowed> (Stereo tilladt).

### **Lydindstilling:**

1. Tryk på knappen Menu (2), og tryk derefter på knappen Indstilling +/- (4) for at vælge <Audio setting> (Lydindstilling), og tryk derefter på Enter-knappen (8.) for at bekræfte.
2. Tryk på knappen Tune +/- (4) for at vælge "Forced mono" (Tvunget mono), og tryk derefter på Enter-knappen (8.) for at bekræfte.

### **Tips til den bedste modtagelse: -**

FM: Modtageren har en stavantenne (17.) på bagsiden af kabinettet. Denne antenne skal være helt udrullet og udstrakt for at opnå den bedste modtagelse.

### **Radiodatasystem (RDS)**

Dette er en funktion, der viser information fra radioudsendelser og vises på LCD-displayet trin for trin som nedenfor ved at trykke kontinuerligt på Info-knappen (9.).

Radiotekst → programtype → frekvens → mono/stereo → tid → dato

### **Forudindstillede hukommelsesstationer**

Du kan gemme 10 FM-stationer i hukommelsen

1. Drej til den ønskede radiostation med "manuel" eller "automatisk" indstilling.
2. Tryk på knappen Preset (Forudindstilling) på fjernbetjeningen og hold den nede i 2-3 sekunder, så viser displayet "Preset Store" (Gem forudindstilling) <1: (Empty)> (Tom).
3. Tryk derefter på Indstilling +/- på enheden eller fjernbetjeningen for at vælge det ønskede nummer for forudindstillingen.
4. Tryk på Enter-knappen for at gemme placeringen (1-10). Displayet viser "Preset 'X' stored" (Forudindstilling "X" gemt)

### **Bemærkninger:**

1. Hvis den forudindstillede station allerede er gemt, vil displayet vise frekvensen ved siden af den forudindstillede station, f.eks: <1: 94,50MHz>.
2. Den forudindstillede station overskrives, når en ny radiostation gemmes.
3. De nuværende stationsnumre 1, 2, 3, 4 kan gemmes direkte ved at trykke på og holde knappen (12.) eller (13.) eller (14.) eller (15) på hovedenheden nede, når du har stillet ind på den ønskede radiostation.

### **Genkald forudindstillet hukommelse:**

1. Tryk på Preset-knapperne (Forudindstilling) på fjernbetjeningen for at hente den forudindstillede station direkte.
2. Tryk på knappen for forudindstillet station nr. 1 (12) / nr. 2 (13.) / nr. 3 (14.) / nr. 4 (15.) på hovedenheden direkte for at genkalde disse tre forudindstillede stationer. Tryk på Menu-knappen (2), og tryk derefter på Indstilling +/- (4) for at vælge "Preset Recall" (Husk forudindstilling).
3. Displayet viser den forudindstillede stations frekvens og det forudindstillede nummer (P1, P2, P3 ... osv.)

### **DAB-radio (Digital Audio Broadcasting)**

1. Tænd for enheden ved at trykke på tænd/sluk-knappen (3.), og tryk derefter på knappen Tilstand (7.) for at vælge DAB-tilstand.
2. Enheden scanner automatisk alle tilgængelige stationer i DAB-tilstand.
3. Eller tryk én gang på Menu-knappen (2.), og displayet viser <Full scan> (Fuld scanning). Tryk på Enter-knappen (8.) for at bekræfte, og enheden vil starte en fuld scanning, og alle de modtagne stationer vil blive gemt på stationslisten efter scanningen.
4. Tryk på knappen Indstilling +/- (4) for at vælge den ønskede DAB-kanal, og tryk derefter på Enter-knappen (8.) for at bekræfte den valgte kanal.
5. Drej volumenknappen op/ned (5.) til det ønskede lydstyrkeniveau.
6. Tryk kontinuerligt på Info-knappen for at kontrollere nedenstående oplysninger fra DAB.  
Signalstyrke → programtype → Gruppenavn → frekvens → signalfejl → overførselshastighed → tid → dato

### **Manuel indstilling**

1. Tænd for enheden ved at trykke på tænd/sluk-knappen (3.), og tryk derefter på knappen Tilstand (7.) for at vælge DAB-tilstand.
2. Tryk på knappen Menu (2.), og tryk derefter på knappen Indstilling +/- (4), displayet viser <Manual tune> (Manuel indstilling).
3. Tryk på Enter-knappen (8.) for at bekræfte, og displayet viser DAB-kanalerne.
4. Tryk på knappen Indstilling +/- (4) for at bladre gennem DAB-kanalerne, og tryk på Enter-knappen (8.) for at indtaste kanalen.
5. Drej volumenknappen op/ned (5.) til det ønskede lydstyrkeniveau.

### **Displayinformation**

Dette er en funktion, der viser information fra radioudsendelser og vises på LCD-displayet trin for trin som nedenfor ved at trykke kontinuerligt på Info-knappen (9.).

Radiotekst → programtype → frekvens → mono/stereo → tid → dato

### **DRC-værdi (dynamisk områdekomprimering)**

Du kan indstille stationens komprimeringsniveau for at eliminere forskellen i dynamisk område eller lydniveau mellem radiostationer.

1. Indstil i DAB-tilstand. Tryk på knappen Menu (2.), og tryk derefter på knappen Indstilling +/- (4) for at vælge <DRC>. Tryk på Enter-knappen (8.) for at gå ind i indstillingen.
2. Tryk på knappen Indstilling +/- (4) for at vælge det ønskede DRC-niveau, og tryk derefter på knappen Enter (8.) for at bekræfte dit valg.

### **Stationsrækkefølge**

1. Indstil til DAB-tilstand. Tryk på knappen Menu (2.), og tryk derefter på knappen Indstilling +/- (4) for at vælge <Station order> (Stationsrækkefølge). Tryk på Enter-knappen (8.) for at indtaste indstillingen.

- Tryk på knappen Indstilling +/- (4) for at gennemse "Alphanumeric" (Alfanumerisk) og "Ensemble" (Ensemble), og tryk derefter på Enter-knappen (8.) for at bekræfte dit valg.

### Fjernelse af inaktive stationer

- Indstil til DAB-tilstand. Tryk på knappen Menu (2.), og tryk derefter på knappen Indstilling +/- (4) for at vælge <Prune> (Fjern). Tryk på Enter-knappen (8.) for at åbne indstillingen.
- Tryk på Indstilling +/- (4) for at vælge "Yes" (Ja), og tryk derefter på Enter-knappen (8.) for at bekræfte.

### Forudindstillet hukommelsesstation

Du kan gemme 10 DAB-stationer i hukommelsen, og indstillingstrinnet er nøjagtigt det samme som for FM.

### Systemindstilling

Indstil til FM- eller DAB-tilstand. Tryk på knappen Menu (2.), og tryk derefter på knappen Indstilling +/- (4) for at vælge <System>. Tryk på Enter-knappen (8.) for at gå ind i indstillingen af tid, baggrundsbelysning, inaktiv standby, sprog.

Tryk på knappen Indstilling +/- (4) for at vælge, og tryk på knappen Enter (8.) for at indtaste/bekræfte.

Tryk på Menu-knappen (2.) igen for at afslutte indstillingen.


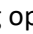
Tid

- Se afsnittet "Indstilling af tid og dato"

<System>	<Backlight> (Baggrundsbelysning)	<Timeout> (Timeout)	For at indstille varigheden af displayet til at ændre baggrundsbelysningens lysstyrke fra <On level> (Tændt niveau) til <Dim level> (Dæmpet niveau) i standbytilstand. <10 sec> (10 sek.), <20 sec> (20 sek.), <30 sec> (30 sek.), <45 sec> (45 sek.), <60 sec> (60 sek.), <90 sec> (90 sek.), <120 sec> (120 sek.), <180 sec> (180 sek.), <ON> (TIL)
		<On level> (Tændt niveau)	Baggrundsbelysningens lysstyrke i tilstanden ON (drift) <High> (Høj), <Medium> (Mellem), <Low> (Lav)
		<Dim level> (Dæmpet niveau)	Baggrundsbelysningens lysstyrke i standbytilstand <High> (Høj), <Medium> (Mellem), <Low> (Lav)
<System>	<Inactive Standby> (Inaktiv standby)	<OFF> (FRA), <2 hour> (2 timer), <4 hour> (4 timer), <5 hour> (5 timer), <6 hour> (6 timer)	
<System>	<Language> (Sprog)	English, Espanol, Francais, Italiano, Nederlands, Norsk, Polski, Suomi, Dansk, Deutsch	
<System>	<Factory Reset> (Nulstilling til fabriksindstillinger)	Når fabriksnulstillingen er udført, slettes alle forudindstillede stationer samt sprogindstillinger, og enheden vender tilbage til den almindelige fabriksindstilling. <Yes> (Ja), <No> (Nej)	
<System>	<Software Upgrade> (Softwareopdatering)	<Yes> (Ja), <No> (Nej)	
<System>	<SW Version> (Softwareversion)	Sådan kontrolleres softwareversionen	

## Bluetooth-forbindelse og -afspilning

---



1. Tænd for enheden ved at trykke på tænd/sluk-knappen (3.), og tryk derefter på knappen Tilstand (7.) for at vælge Bluetooth-tilstand.
2. "Bluetooth" vil blive vist på LCD-displayet. Det betyder, at Bluetooth er i søgetilstand.
3. Tænd for Bluetooth-funktionen på din Bluetooth-enhed (f.eks. mobiltelefon), og vælg "Lenco PDR-065" Bluetooth-udstyr for at oprette forbindelse.
4. Når forbindelsen er oprettet, vil LCD-displayet vise "BT Connected" (BT forbundet).
5. Start afspilningen fra din Bluetooth-enhed, og nyd musikken.
6. Drej lydstyrkeknapen (5.) op/ned til det ønskede lydstyrkeniveau.
7. Du kan trykke på knappen Skip up (Spring op)  eller Skip down  (Spring ned) på din Bluetooth-enhed for at styre musikafspilningen.
8. For at afbryde Bluetooth-forbindelsen skal du trykke på knappen Tilstand (7.) for at skifte til en anden tilstand eller slukke for Bluetooth-funktionen på din Bluetooth-enhed. LCD-displayet viser "Bluetooth" igen for parring af en ny enhed eller slukning af enheden. Gentag trin 3-5 ovenfor for at oprette forbindelse til en anden Bluetooth-enhed.

## Flere funktioner

---

### A. Indstilling af vækkeur

Denne funktion gør det muligt for systemet at tænde automatisk og vække dig med summer, FM- eller DAB-tilstand. Indstil systemet til DAB/FM-tilstand, og tryk derefter på knappen Menu (2.), og tryk derefter på knappen Indstilling +/- (4) for at vælge <System>, og tryk på knappen Enter (8.) for at bekræfte. Tryk på Indstilling +/- (4)-knappen for at vælge <Alarm>, tryk på Enter-knappen (8.) for at gå ind i timerindstillingstilstanden. LCD-skærmen viser timerens tid, og timeruret blinker desuden med timeglasset, hvilket betyder, at enheden er klar til at gå ind i timerindstillingstilstand.

- 1) Opsætning af alarm 1 : Tryk på Alarm-knappen for at vælge opsætning af Alarm 1. Tryk på OK for at starte opsætningen.
- 2) Indstilling af timer : Når du går ind i opsætningen af alarmen, blinker timetallet. Tryk på +/- for at indstille timen, og tryk derefter på Enter for at bekræfte timen. Derefter blinker minutcifrene. Tryk på +/- for at indstille minuttet, og tryk derefter på Enter for at bekræfte minuttet.
- 3) Varighed : Tryk derefter på +/- for at vælge alarmens varighed mellem: 15, 30, 45, 60, 90, 120 (minutter). Tryk på Indstilling +/- (4) for at vælge timer-tilstanden. Tryk derefter på Enter-knappen (8) for at gemme timertilstanden.
- 4) Signalkilde : Tryk på op/ned-knappen for at vælge vækningstilstand mellem: Summer, FM, DAB.  
FM/DAB: Du kan vælge mellem listen over sidst lyttede eller forudindstillede stationer.  
Tryk på +/- for at vælge, og tryk derefter på OK for at bekræfte indstillingen.
- 5) Frekvens : Du kan vælge alarmfrekvensen mellem: Dagligt, En gang, Weekender eller Hverdage.  
Hvis du vælger En gang, skal du bekræfte datoen for alarmen.  
Tryk på knappen Indstilling +/- (4) for at vælge timer på lydstyrkeniveau, og tryk på Enter-knappen (8) for at afslutte timerindstillingen. Enheden vender tilbage til standbytilstand, og displayet viser timerikonet .
- 6) Alarm tændt/slukket : Tryk på +/- for at slå alarmen til eller fra, og tryk derefter på Enter for at bekræfte indstillingen.  
Når alarmen er slået til, vises alarmikonet  på displayet.  
På den anden side forsvinder alarmikonet, hvis alarmen slukkes.

**Bemærk: -**

- For FM/DAB-vækning vil systemet forudindstille til den sidste radiofrekvens, der blev lyttet til, før det slukkes.
- Hvis vækning med summer er valgt, udsender enheden en "bip bip"-lyd på det valgte tidspunkt.
- Der er ca. 4 sekunder til alarmindstillingen, og systemet vender automatisk tilbage til normal tilstand, hvis der ikke trykkes på nogen knapper inden for denne tidsramme.

**Alarmen kan kun fungere, når enheden er placeret og tilsluttet batteridockingstationen!**

**B. SNOOZE**

Tryk én gang på Snooze-knappen på enheden for at forlænge alarmen med 5 minutter hver gang.

**C. Brug af hovedtelefoner**

Hvis du sætter stikket til dine hovedtelefoner i hovedtelefonstikket, kan du lytte i fred og ro.

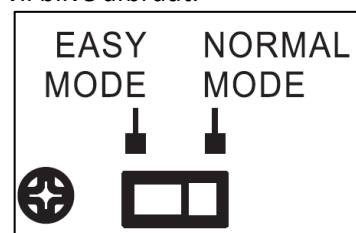
**LÆS DENNE VIGTIGE INFORMATION, FØR DU BRUGER DINE HOVEDTELEFONER**

- 1) Undgå længere tids afspilning ved meget høj lydstyrke, da det kan skade din hørelse.
- 2) Hvis du oplever susen for ørerne, skal du skrue ned for lyden eller slukke for enheden.
- 3) Hold lydstyrken på et rimeligt niveau, så du kan høre lyde udefra.

**D. Kontakt til Easy-Normal-tilstand**

Dette system har en indbygget kontakt til Easy-Normal-tilstand på bagpanelet. Slå Easy-tilstand til for at forenkle enhedens brugerflade og gøre den nem at bruge for ældre.

Skub kontakten til Easy-Normal-tilstand til Easy-tilstand - Kun tænd/sluk (3), Preset (Forudindstilling) 1-4-knapperne (12-15) og lydstyrkeknapen (5) er stadig i drift. Andre knapper vil blive afbrudt.



EN	DK
EASY MODE	EASY-TILSTAND
NORMAL MODE	NORMAL-TILSTAND

Information	Bemærkninger	
Producentens navn eller varemærke, virksomhedsregistrering og adresse	-	Shenzhen ABP Technology Co. Ltd. Adresse: 2 <sup>nd</sup> floor, B2 Building, Xin hao sheng Industrial zone, Yonghe Road, Qiaotou, Fuhai Street, Bao an District, Shenzhen City, Guangdong 518103, P.R. China
Modelidentifikator	-	AD0181-0552500GB
Indgangsspænding	Specificeret af producenten. Skal være en værdi eller et interval.	100 - 240 V
Indgangsfrekvens, vekselstrøm	Specificeret af producenten. Skal være en værdi eller et interval	50/60 Hz

Udgangsspænding	Udgangsspænding på typeskiltet. Skal angive, om det er AC eller DC.	5,5 V
Udgangsstrøm	Udgangsstrøm på typeskiltet.	2,5 A
Udgangseffekt	Udgangseffekt på typeskiltet.	13,75 W
Gns. aktiv effektivitet	Deklareret af producenten baseret på værdien beregnet som aritmetisk gennemsnit af effektivitet ved belastningsforhold 1-4.	87,403 %
Effektivitet ved lav belastning (10 %)	Deklareret af producenten baseret på værdien beregnet ved belastningstilstand 5. Eksterne strømforsyninger med en udgangseffekt på 10 W eller derunder på typeskiltet er undtaget fra dette krav.	71,9 %
Strømforbrug ved ingen belastning	Deklareret af producenten baseret på den målte værdi for belastningstilstand 6.	$\leq 0,1$ W

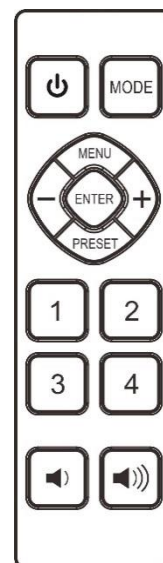
## Fjernbetjeningsender

### Isætning af batteri (batteri medfølger ikke)

Den infrarøde sender kræver 2 stk. batterier i AAA-størrelse for at fungere.

#### Beskrivelse af knapper

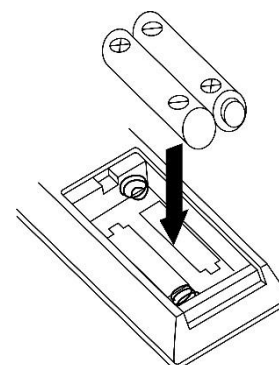
Tænd/standby	Tryk for at tænde systemet/sætte det i standby
Tilstand	Tryk for at vælge funktionstilstande
Menu	Tryk for at gå ind i menuindstillingerne
- / +	Tryk for at vælge indstillingerne
ENTER	Tryk for at bekræfte indstillingen
Fast radiostation	Tryk for at åbne den forudindstillede FM/DAB-radiostation
Forudindstilling nr. 1 - 4	For at genkalde den forudindstillede FM/DAB-station direkte
Lydstyrke op/ned	Tryk for at justere lydstyrkeniveauet



### ISÆTNING AF BATTERI

Batterirummet er placeret på bagsiden af fjernbetjeningen.

1. Fjern lågen til batterirummet ved at trykke på tappen og løfte den af.
2. Sæt to (2) AAA-batterier (medfølger ikke) i batterirummet ved at følge polaritetsmarkeringerne inde i batterirummet.
3. Sæt lågen til batterirummet på plads igen.



#### ADVARSEL OM BATTERIER

1. Sørg for, at batterierne er sat korrekt i. Forkert polaritet kan beskadige enheden.
2. Brug kun den specificerede batteristørrelse og -type.
3. Bland ikke gamle og nye batterier.
4. Bland ikke alkaline-, standard- (kul-zink) eller genopladelige (nikkel-cadmium) batterier.
5. Hvis enheden ikke skal bruges i længere tid, skal batterierne tages ud. Gamle eller utætte batterier kan forårsage skader på enheden og kan gøre garantien ugyldig.
6. Forsøg ikke at genoplade batterier, der ikke er beregnet til at blive genopladet; de kan blive overophedede og gå i stykker. (Følg batteriproducentens anvisninger).
7. Smid ikke batterierne i ild, da de kan lække eller eksplodere.



**BEMÆRK: På grund af ErP-kravene i fase 2 og for at beskytte miljøet går enheden automatisk på standby, når der ikke er afspillet musik i over 15 minutter.**

## 1. Garanti

Commaxx B.V. tilbyder service og garanti i overensstemmelse med europæisk lovgivning, hvilket betyder, at i tilfælde af reparation (både under og efter garantiperiodens udløb) bør du kontakte din lokale forhandler.

Vigtig meddelelse: Det er ikke muligt at sende produktet direkte til Commaxx B.V., hvis det kræver reparation.

Vigtig meddelelse: Hvis enheden åbnes eller på nogen måde tilgås af et ikke-godkendt servicecenter, bortfalder garantien.

Denne enhed er ikke egnet til professionel brug. I tilfælde af professionel brug bortfalder alle garantiforpligtelser fra producentens side.

## 2. Ansvarsfraskrivelse

Firmware og/eller hardwarekomponenter opdateres regelmæssigt. Derfor kan nogle af instruktionerne, specifikationerne og billederne i denne dokumentation afvige lidt fra din særlige situation. Alle elementer, der beskrives i denne vejledning, er kun til illustration og gælder muligvis ikke for en bestemt situation. Der kan ikke opnås juridiske rettigheder fra beskrivelsen i denne vejledning.

## 3. Bortskaffelse af udtjente enheder



Symbolet angiver, at det relevante elektriske produkt eller batteri inden for Europa ikke må bortskaffes som almindeligt husholdningsaffald. For at sikre korrekt affaldsbehandling af produktet og batteriet bedes du bortskaffe dem i overensstemmelse med gældende lokal lovgivning om krav til bortskaffelse af elektrisk udstyr eller batterier. På den måde hjælper du med at bevare naturens ressourcer og forbedre standarderne for miljøbeskyttelse i forbindelse med behandling og bortskaffelse af elektrisk affald (direktivet om affald af elektrisk og elektronisk udstyr).

#### 4. OVERENSSTEMMELSESERKLÆRING

Commaxx erklærer hermed, at radioudstyrstypen [Lenco PDR-065] er i overensstemmelse med direktiv 2014/53/EU. Den fulde tekst af EU-overensstemmelseserklæringens fulde tekst kan findes på følgende internetadresse:

[https://commaxx-certificates.com/doc/pdr-065\\_doc.pdf](https://commaxx-certificates.com/doc/pdr-065_doc.pdf)

Type RF	Frekvensområde (MHz)	Effekt (dBm)
Bluetooth	2402-2480	< 6
DAB	174-240	-
FM	87,5-108	-

#### 5. Service

Gå ind på [www.lenco.com](http://www.lenco.com) for yderligere oplysninger og support fra vores helpdesk

Commaxx B.V. Wiebachstraat 37, 6466 NG Kerkrade, The Netherlands.

## FÖRSIKTIGHET:

Användning av kontroller eller utförande av metoder som inte beskrivits häri kan leda till exponering för farlig strålning.

## FÖRSIKTIGHETSÅTGÄRDER FÖRE ANVÄNDNING

---

### IAKTTA DESSA ANVISNINGAR:

1. Ventilationsöppningarna får inte täckas över eller blockeras. När enheten placeras på en hylla bör det lämnas 5 cm ledigt utrymme runt hela enheten.
2. Montering ska ske i enlighet med den medföljande bruksanvisningen.
3. Håll enheten borta från värmekällor såsom element, värmefläktar, spisar, ljus och andra värmegenererande produkter samt öppen eld. Enheten får endast användas i milda klimat. Undvik extremt kalla eller varma miljöer. Drifttemperatur mellan 0 och 35 °C.
4. Enheten bör inte användas i närheten av starka magnetfält.
5. Elektrostatiska urladdningar kan påverka enhetens funktion. Om detta sker behöver enheten endast återställas och startas om i enlighet med bruksanvisningen. Vid filöverföring måste enheten hanteras med försiktighet i en miljö fri från statisk elektricitet.
6. Varning! Föremål får aldrig föras in i produkten genom ventilerna eller öppningarna. Hög spänning flödar genom produkten och om du för in ett föremål kan det orsaka elektriska stötar och/eller kortslutning av interna komponenter. Undvik att spillta vatten eller annan vätska på produkten av samma anledning.
7. Enheten får inte användas i våta eller fuktiga miljöer såsom badrum, ångfyllda kök eller i närheten av simbassänger.
8. Enheten får inte utsättas för dropp eller stänk och det ska säkerställas att inga föremål som är fyllda med vätskor, t.ex. vaser, ställs på eller i närheten av enheten.
9. Enheten får inte användas när kondens kan uppstå. När enheten används i ett varmt och fuktigt rum kan vattendroppar eller kondens uppstå inuti enheten och enheten kanske inte fungerar som den ska. Låt enheten vara avstängd i en eller två timmar innan du slår på strömmen igen. Enheten ska vara torr innan strömmen slås på.
10. Även om denna enhet tillverkas med största omsorg och kontrolleras flera gånger innan den lämnar fabriken är det fortfarande möjligt att problem kan uppstå, vilket gäller alla elektriska apparater. Om du märker rök, kraftig uppbyggnad av värme eller andra oväntade fenomen ska du omedelbart dra ur kontakten ur eluttaget.
11. Enheten måste strömförsörjas med en strömkälla enligt specifikationen på typskylten. Kontakta din återförsäljare eller ditt lokala elbolag om du är osäker på vilken typ av strömförsörjning som finns i din bostad.
12. Håll enheten utom räckhåll för djur. Vissa djur kan bita på strömkablar.
13. Använd en mjuk och torr trasa för att rengöra enheten. Lösningsmedel eller bensinbaserade vätskor får inte användas.  
Använd en fuktig trasa med utspätt diskmedel för att ta bort svåra fläckar.
14. Leverantören ansvarar inte för skador eller förlorade data som orsakas av funktionsfel, felaktig användning, modifiering av enheten eller batteribyte.
15. Anslutningen får inte avbrytas när enheten formaterar eller överför filer. Detta kan medföra att data skadas eller raderas.
16. USB-minnet bör anslutas direkt till enheten om enheten har en funktion för USB-uppspelning. Använd inte en USB-förlängningskabel eftersom den kan orsaka störningar som leder till förlust av data.
17. Typskylten sitter på enhetens undersida eller baksida.
18. Enheten är inte avsedd för användning av personer (inklusive barn) med fysiska, sensoriska eller psykiska funktionshinder eller brist på erfarenhet och kunskap, såvida de inte är under uppsikt av eller har fått anvisningar om hur enheten ska användas på rätt sätt av den person som ansvarar för deras säkerhet.
19. Produkten är endast avsedd för icke professionell användning och inte för kommersiellt eller industriellt bruk.
20. Kontrollera att enheten har justerats så att den står stadigt. Skador orsakade av att produkten används i ett instabilt läge eller utsätts för vibrationer eller stötar eller av att någon annan varning eller försiktighetsåtgärd i denna bruksanvisning inte följs, täcks inte av garantin.
21. Ta aldrig bort enhetens hölje.
22. Enheten får aldrig ställas ovanpå annan elektrisk utrustning.
23. Håll plastpåsar utom räckhåll för barn.

24. Använd endast tillbehör som anges av tillverkaren.
25. Överlåt all service till kvalificerad servicepersonal. Service krävs när t.ex. nätsladden eller kontakten har skadats på något sätt, när vätska har spillts eller föremål har fallit ner i enheten, när enheten har utsatts för regn eller fukt, inte fungerar normalt eller har tappats.
26. Långvarig exponering för höga ljud från musikspelare kan leda till tillfälliga eller permanenta hörselnedsättningar.
27. Om produkten levereras med strömkabel eller nätadapter:
  - Dra ur strömkabeln och kontakta behörig personal för service om ett problem uppstår.
  - Undvik att trampa på eller klämma nätadaptern. Var mycket försiktig och då särskilt nära kontakter och kabelns uttag. Tunga föremål får inte placeras på nätadaptern då detta kan medföra att den skadas. Håll hela enheten utom räckhåll för barn! Om de leker med strömkabeln kan det orsaka allvarliga personskador.
  - Koppla ur enheten vid åskväder eller om den inte används under en längre tidsperiod.
  - Eluttaget måste vara placerat nära utrustningen och vara lättillgängligt.
  - Eluttaget och förlängningskablar får inte överbelastas. Överbelastning kan orsaka brand eller medföra elektriska stötar.
  - Enheter med konstruktion klass 1 ska anslutas till ett jordat eluttag.
  - Enheter med klass 2-konstruktion kräver ingen jordad anslutning.
  - Håll alltid i kontakten när du drar ut den ur vägguttaget. Dra inte i strömkabeln. Detta kan orsaka en kortslutning.
  - En skadad strömkabel, kontakt eller ett löst eluttag får inte användas. Det kan orsaka brand eller medföra elektriska stötar.
28. Om produkten innehåller eller levereras med en fjärrkontroll som innehåller knappcellsbatterier:

Varning:

  - Svälj inte batterier då kemiska brännskador eller motsvarande kan uppstå.
  - [Fjärrkontrollen som medföljer] Denna produkt innehåller ett knappcellsbatteri. Om batteriet sväljs kan det orsaka allvarliga inre brännskador på bara två timmar och vara livshotande.
  - Håll nya och förbrukade batterier utom räckhåll för barn.
  - Sluta använda produkten om batterifacket inte går att stänga ordentligt, och håll den utom räckhåll för barn.
  - Om du tror att batterier har förtärts eller finns inuti någon del av kroppen måste du omedelbart söka läkarvård.
29. Försiktighetsuppläsning vid användning av batterier:
  - Explosionsrisk om batteriet byts ut på ett felaktigt sätt. Batteriet måste bytas mot samma eller en likvärdig typ.
  - Batteriet får inte utsättas för extremt höga eller låga temperaturer samt lågt lufttryck vid hög höjd, vid användning, förvaring eller transport.
  - Byte av ett batteri mot en felaktig typ kan medföra explosion eller läckage av brandfarlig vätska och/eller gas.
  - Avfallshantering av ett batteri på en öppen eld, i en varm ugn, mekanisk krossning eller kapning kan medföra explosion.
  - Batteriet får inte lämnas i en miljö med extremt hög temperatur då detta kan medföra explosion eller läckage av brandfarlig vätska och/eller gas.
  - Batteriet får inte utsättas för extremt lågt lufttryck, då detta kan medföra explosion eller läckage av brandfarlig vätska och/eller gas.
  - Miljöaspekter måste iaktas vid avfallshantering av batterier.

#### **INSTALLATION**

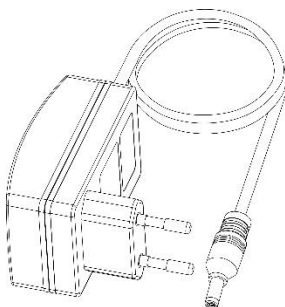
- Packa upp alla delar och ta bort skyddsmaterialet.
- Enheten får inte anslutas till elnätet innan du har kontrollerat nätspänningen och att alla andra anslutningar har utförts.

## Tillbehör

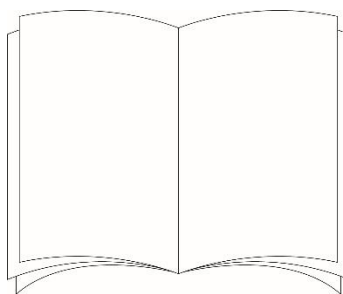
- Fjärrkontroll



- Strömadapter

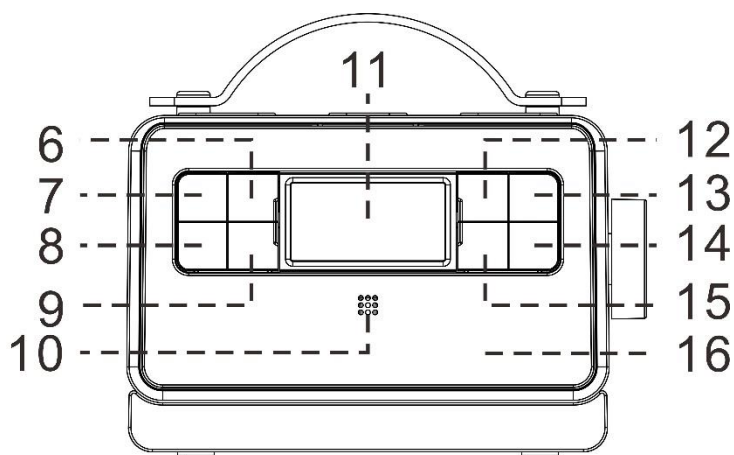
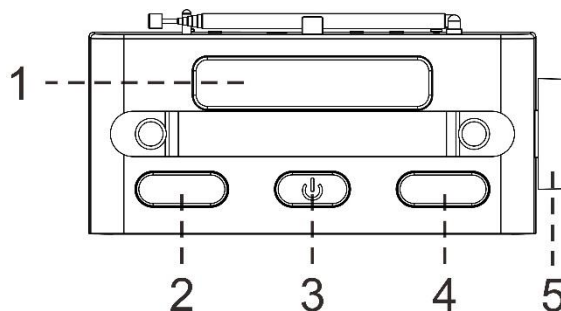


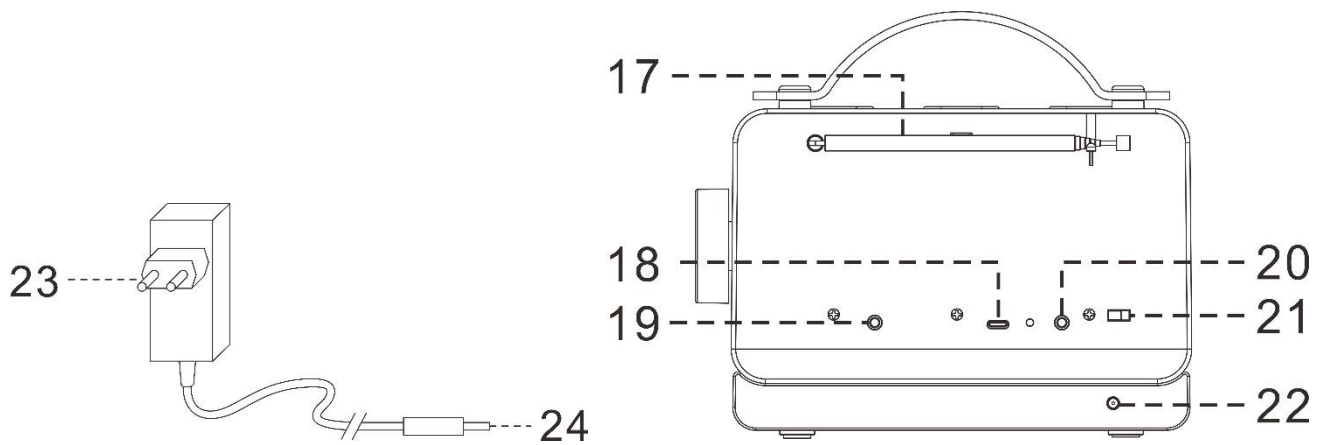
- Bruksanvisning



## KONTROLLERNAS PLACERING

- 1) Hållare för fjärrkontroll/mobiltelefon
- 2) Knappen Meny/Snooze
- 3) Strömbrytare
- 4) Knappen Söka +/-
- 5) Volymrätt
- 6) Knappen Sök
- 7) Knappen Läge
- 8) Knappen Enter
- 9) Knappen Info
- 10) Fjärrkontrollsensor
- 11) LCD-skärm
- 12) Knapp för Förinställd station nr. 1
- 13) Knapp för Förinställd station nr. 2
- 14) Knapp för Förinställd station nr. 3
- 15) Knapp för Förinställd station nr. 4
- 16) Högtalare
- 17) FM-antenn
- 18) Type C-uttag
- 19) 3,5 mm hörlursuttag
- 20) Line out-uttag
- 21) Brytare för enkelt/normalt läge
- 22) DC-uttag på dockningsstationen
- 23) AC/DC-adapter
- 24) DC-kontakt





### Försiktighet:

Användning av andra kontroller eller procedurer än de som anges i detta dokument kan leda till exponering för farlig strålning.

Den här enheten får endast justeras eller repareras av kvalificerad servicepersonal.

### Viktigt:

Eftersom de känsliga kretsarna kan orsaka störningar på radiomottagare i närheten, bör enheten stängas av medan annan radioutrustning används.

**På grund av MCU-styrningens komplexitet ska enhetens strömförsörjning kopplas bort om enheten slutar fungera under drift! Detta är inte ett fel i systemet!**

### Försiktighetsåtgärder vid användning

---

#### Installation

1. Packa upp alla delar och ta bort skyddsmaterialet.
2. Enheten får inte anslutas till elnätet innan du har kontrollerat nätspänningen och att alla andra anslutningar har utförts.
3. Täck inte över ventiler och se till att det finns flera centimeters utrymme runt enheten för god ventilation.

#### Anslutning

---

1. Anslut DC-kontakten (24) till DC-uttaget (22) på dockningsstationen och anslut sedan AC/DC-adaptorn (23) till ett eluttag.
2. Placera huvudenheten på dockningsstationen för laddning.
3. Tryck på knappen On/Off (Strömbrytaren) (3). Om LCD-skärmen är på och visar text innebär det att strömförsörjningen är normal. Nu är systemet redo att spela upp musik.

#### Anmärkningar:

1. Enheten stängs av helt om den kopplas bort från laddningsstationen. Detta sker för att förlänga det inbyggda och uppladdningsbara batteriets livslängd. Fjärrkontrollen kan dessutom inte användas för att slå på enheten om den är bortkopplad från laddningsstationen. Tryck på knappen On/Off (Strömbrytaren) (3) på huvudenheten för att slå på den vid detta tillstånd.
2. Vi rekommenderar att enheten ansluts till laddningsstationen vid hemmabruk. På så sätt kan enheten förbli i standby-läget efter att den har stängts av och du kan använda fjärrkontrollen

## Ställa in tid och datum

Om klockan inte redan har ställts in synkroniseras den med RDS/DAB-klockan när den tar emot en RDS/DAB-signal.

Följ stegen nedan för att manuellt ställa in tid och datum.

1. Tryck på knappen On/Off (Strömbrytaren) (3) för att slå på enheten. Tryck sedan på knappen Mode (Läge) (7) för att välja FM- eller DAB-läget.
2. Tryck på knappen Menu (Meny) (2) och sedan på Tune +/- (Söka +/-) (4) för att välja <System>. Tryck sedan på knappen Enter (8) för att bekräfta.
3. Skärmen visar <Time> (Tid) – tryck på knappen Enter (8) för att öppna.
4. Skärmen visar <Set time/Date> (Ställ in tid/datum) – tryck på knappen Enter (8) för att öppna.
5. Ställ in timmarna och minuterna genom att trycka på knappen Tune +/- (Söka +/-) (4). Tryck sedan på knappen Enter (8) för att bekräfta.
6. Skärmen växlar sedan till "Set date 1-1-2020" (Ställ in datum 1-1-2020). Ställ sedan in dagen/månaden/året genom att trycka på knappen Tune +/- (Söka +/-) (4). Tryck sedan på knappen Enter (8) för att bekräfta.
7. Skärmen visar sedan <Time saved> (Tiden har sparats) vilket innebär att tiden och datumet har sparats.
8. Du kan även ställa in tids-/datumformatet i inställningen <System> <Time> (System – Tid).  
Följ nedanstående menynuppdelning för bästa möjliga användning.  
Tryck på knappen Tune +/- (Söka +/-) (4) för att välja och tryck på knappen Enter (8) för att öppna/bekräfta.  
Tryck på knappen Menu (Meny) (2) igen för att avsluta inställningarna.

<System>	<Time> (Tid)	<Set time/Date> (Ställa in tid/datum)	Följ anvisningarna i "Ställa in tid och datum"
		<Auto update> (Automatisk uppdatering)	Uppdatera från valfri (Systemet uppdaterar automatiskt tiden och datumet när det tar emot en RDS/DAB-signal)
			Uppdatera från DAB (Systemet uppdaterar automatiskt tiden och datumet när det tar emot en DAB-signal)
			Uppdatera från FM (Systemet uppdaterar automatiskt tiden och datumet när det tar emot en RDS-signal)
			Ingen uppdatering (Välj den här inställningen om du föredrar att manuellt ställa in tiden och datumet)
		<Set 12/24 hour> (Ställa in 12/24-timmarstid)	Ställa in 24-timmarstid
			Ställa in 12-timmarstid
		<Set date format> (Ställa in datumformatet)	DD-MM-ÅÅÅÅ
			MM-DD-ÅÅÅÅ

- Den förinställda tiden återställs helt om nätströmmen kopplas bort. Vi rekommenderar att du aktiverar systemets standby-läge för en smidig användning.

## Lyssna på radio

---

### Använda FM

#### Manuell sökning

1. Tryck på knappen On/Off (Strömbrytaren) (3) för att slå på enheten. Tryck sedan på knappen Mode (Läge) (7) för att välja FM-läget.
2. Tryck på knappen Tune +/- (Söka +/-) (4) för att söka efter önskad station.
3. Vrid volymvredet upp/ner (5) för önskad volym.

#### Automatisk sökning

1. Tryck på och håll knappen Tune +/- (Söka +/-) (4) nedtryckt en stund och släpp den sedan. Enheten börjar söka uppåt eller nedåt till en radiostation tas emot.
2. Vrid volymvredet upp/ner (5) för önskad volym.

#### Tips för mottagning:-

Dra ut teleskopantennen helt för bästa möjliga mottagning.

#### FM-sökinställningar

Om för många oönskade radiostationer med svag signalstyrka hittades efter en automatisk sökning kan du välja endast stationer med stark signalstyrka genom att filtrera bort de **svagare**.

1. Aktivera FM-läget och tryck sedan på knappen Menu (Meny) (2) – skärmen visar <Scan setting> (Sökningsinställningar). Tryck sedan på knappen Enter (8).
2. Tryck på knappen Tune +/- (Söka +/-) (4) för att välja "Strong station only" (Endast stationer med stark signalstyrka). Tryck sedan på knappen Okay/Enter (8) för att bekräfta inställningen.
3. Utför sedan en automatisk sökning igen enligt ovan.

#### Mottagning av FM-mono och FM-stereo

Som standard spelas all stereostationer upp i stereo. För svaga signaler kan detta resultera i ett dåligt signal till brus-förhållande.

För att spela upp stationer med svag signalstyrka i mono-läge ska du följa stegen nedan som låter dig växla mellan inställningarna stereo och mono.

1. Tryck på knappen Menu (Meny) (2) och sedan på Tune +/- (Söka +/-) (4) för att välja <Audio setting> (Ljudinställning). Tryck på knappen Enter (8) för att bekräfta.
2. Tryck på knappen Tune +/- (Söka +/-) (4) för att välja <Forced mono> (Obligatoriskt mono). Tryck sedan på knappen Enter (8) för att bekräfta inställningen.
3. När du vill växla till stereosignaler ska du följa samma procedur men istället välja <Stereo allowed> (Stereo tillåts).

#### Ljudinställning:

1. Tryck på knappen Menu (Meny) (2) och sedan på Tune +/- (Söka +/-) (4) för att välja "Audio setting" (Ljudinställning). Tryck sedan på knappen Enter (8) för att bekräfta.
2. Tryck på knappen Tune +/- (Söka +/-) (4) för att välja "Force mono" (Obligatoriskt mono) och sedan på knappen Enter (8) för att bekräfta.

#### Tips för bästa mottagning: -

FM: mottagaren har en teleskopantenn (17) i det bakre höljet. Den här antennen bör fällas ut helt för bästa möjliga mottagning.

#### Radio Data System (RDS)

Det är den här funktionen som visar informationen, som skickas via radiosignalerna, på LCD-skärmen. Informationen visas rullande enligt nedan om du trycker på och håller knappen Info (9) nedtryckt kontinuerligt.

Radiotext → programtyp → frekvens → mono/stereo → tid → datum

#### Snabbvalsminne

Du kan spara 10 FM-stationer i minnet



1. Justera till önskad radiostation genom att söka "manuellt" eller "automatiskt".
2. Tryck på och håll knappen Preset (Förinställning) nedtryckt på fjärrkontrollen i 2–3 sekunder – skärmen visar "Preset Store" (Förinställningsplats) <1: (Empty)> (1: (Tom)).
3. Tryck sedan på knappen Tune +/- (Söka +/-) på enheten eller fjärrkontrollen för att välja önskat nummer på förinställningsplatsen.
4. Tryck på knappen Enter för att spara stationen (1–10). Skärmen visar Preset "X" stored (Förinställningen "X" sparad)

#### **Anmärkningar:**

1. Om den förinställda stationen redan är sparad visar skärmen frekvensen bredvid den förinställda stationen, såsom:<1: 94,50 MHz>.
2. Den förinställda stationen skrivs över när en ny radiostation sparas.
3. För förinställningsplatserna 1, 2, 3, 4 kan de sparas direkt genom att trycka på och hålla knapparna (12), (13.), (14.) eller (15) nedtryckta på huvudenheten efter att önskad radiostation har valts.

#### **Återkalla snabbvalsminnet:**

1. Tryck på snabbvalsknapparna på fjärrkontrollen för att återkalla en förinställd station.
2. För förinställd station nr. 1 ska du trycka på knappen (12)/för nr. 2 på knappen (13) /för nr. 3 på knappen (14) /för nr. 4 på knappen (15) på huvudenheten för att återkalla dessa tre förinställda stationer. Tryck på knappen Menu (Meny) (2) och sedan på Tune +/- (Söka +/-) (4) för att välja "Preset Recall" (Återkalla förinställning).
3. Skärmen visar den förinställda stationsfrekvensen och numret på förinställningsplatsen (P1, P2, P3 ... osv).

#### **Digital Audio Broadcasting-radio (DAB)**

1. Tryck på knappen On/Off (Strömbrytaren) (3) för att slå på enheten. Tryck sedan på knappen Mode (Läge) (7) för att välja DAB-läget.
2. Enheten skannar automatiskt alla tillgängliga stationer i DAB-läget.
3. Alternativt kan du trycka på knappen Menu (Meny) (2) en gång – skärmen visar <Full scan> (Fullständig sökning). Tryck på knappen Enter (8) för att bekräfta. Enheten påbörjar en fullständig sökning och alla hittade stationer sparas i stationslistan efter sökningen.
4. Tryck på knappen Tune +/- (Söka +/-) (4) för att välja önskad DAB-kanal. Tryck sedan på knappen Enter (8) för att bekräfta den valda kanalen.
5. Vrid volymvredet upp/ner (5) för önskad volym.
6. Tryck på och håll knappen Info nedtryckt kontinuerligt för att kontrollera nedanstående information som skickas med DAB-signalerna.  
Signalstyrka → programtyp → Gruppnamn → frekvens → signalfel → överföringshastighet → tid → datum

#### **Manuell inställning**

1. Tryck på knappen On/Off (Strömbrytaren) (3) för att slå på enheten. Tryck sedan på knappen Mode (Läge) (7) för att välja DAB-läget.
2. Tryck på knappen Menu (Meny) (2) och sedan på Tune - (Söka -) (4) – skärmen visar <Manual tune> (Manuell sökning).
3. Tryck på knappen Enter (8) för att bekräfta – skärmen visar DAB-kanalerna.
4. Tryck på knappen Tune +/- (Söka +/-) (4) för att bläddra bland DAB-kanalerna. Tryck sedan på knappen Enter (8) för att välja en kanal.
5. Vrid volymvredet upp/ner (5) för önskad volym.

#### **Skärminformation**

Det är den här funktionen som visar informationen, som skickas via radiosignalerna, på LCD-skärmen. Informationen visas rullande enligt nedan om du trycker på och håller knappen Info (9) nedtryckt kontinuerligt.

Radiotext → programtyp → frekvens → mono/stereo → tid → datum

### Värde på dynamisk områdeskontroll (DRC)

Du kan ställa in stationens komprimeringsnivå för att eliminera skillnaden i dynamiskt omfång eller ljudnivåer mellan olika radiostationer.

1. Ställ in i DAB-läge. Tryck på knappen Menu (Meny) (2) och sedan på Tune +/- (Söka +/-) (4) för att välja <DRC>. Tryck på knappen Enter (8) för att öppna inställningen.
2. Tryck på knappen Tune +/- (Söka +/-) (4) för att välja önskad DRC-nivå. Tryck sedan på knappen Enter (8) för att bekräfta valet.

### Stationsordning

1. Ställ in i DAB-läge. Tryck på knappen Menu (Meny) (2) och sedan på Tune +/- (Söka +/-) (4) för att välja <Station order> (Stationsordning). Tryck på knappen Enter (8) för att öppna inställningen.
2. Tryck på knappen Tune +/- (Söka +/-) (4) för att bläddra alfanumeriskt och som en helhet. Tryck sedan på knappen Enter (8) för att bekräfta ditt val.

### Radera inaktiva stationer

1. Ställ in i DAB-läge. Tryck på knappen Menu (Meny) (2) och sedan på Tune +/- (Söka +/-) (4) för att välja <Prune> (Radera inaktiva). Tryck på knappen Enter (8) för att öppna inställningen.
2. Tryck på knappen Tune +/- (Söka +/-) (4) för att välja "Yes" (Ja). Tryck sedan på knappen Enter (8) för att bekräfta.

### Snabbvalsminne

Du kan spara 10 DAB-stationer i minnet. Stegen för att spara dem är samma som för FM.

### Systeminställningar

Ställ in i FM- eller DAB-läget. Tryck på knappen Menu (Meny) (2) och sedan på Tune +/- (Söka +/-) (4) för att välja <System>. Tryck på knappen Enter (8) för att bekräfta inställningen av tid, bakgrundsbelysning, inaktivt standby-läge och språk.

Tryck på knappen Tune +/- (Söka +/-) (4) för att välja och tryck på knappen Enter (8) för att öppna/bekräfta.

Tryck på knappen Menu (Meny) (2) igen för att avsluta inställningarna.

Tid

- Se avsnittet "Ställa in tid och datum"

<System>	<Backlight> (Bakgrundsbelysning)	<Timeout> (Tidsgräns)	Du kan ställa in hur lång tid det tar för skärmen att ändra bakgrundsbelysningens ljusstyrka från On level (Ljusstyrka vid påslagen) till Dim level (Ljusstyrka vid standby) i standby-läget. <10 sec>, <20 sec>, <30 sec>, <45 sec>, <60 sec>, <90 sec>, <120 sec>, <180 sec>, <ON> (10 sek, 20 sek, 30 sek, 45 sek, 60 sek, 90 sek, 120 sek, 180 sek, PÅ)
		<On level> (Ljusstyrka vid påslagen)	Bakgrundsbelysningens ljusstyrka medan enheten är PÅ (drift) <High>, <Medium>, <Low> (Hög, medel, låg)
		<Dim level> (Ljusstyrka vid standby)	Bakgrundsbelysningens ljusstyrka i standby-läge <High>, <Medium>, <Low> (Hög, medel, låg)
<System>	<Inactive Standby> (Inaktiv standby)	<OFF>, <2 hour>, <4 hour>, <5 hour>, <6 hour> (AV, 2 timmar, 4 timmar, 5 timmar, 6 timmar)	

<System>	<Language> (Språk)	English, Espanol, Francais, Italiano, Nederlands, Norsk, Polski, Suomi, Dansk, Deutsch
<System>	<Factory Reset> (Fabriksinställning)	När fabriksåterställningen utförs raderas alla förinställda stationer samt språkinställningen. Enheten återgår sedan till sin ursprungliga fabriksinställning. <Yes>, <No> (Ja, Nej)
<System>	<Software Upgrade> (Programuppgradering)	<Yes>, <No> (Ja, Nej)
<System>	<SW Version> (PV-version)	För att kontrollera programvaruversionen

## Ansluta och spela upp via Bluetooth


1. Tryck på knappen On/Off (Strömbrytaren) (3) för att slå på enheten. Tryck sedan på knappen Mode (Läge) (7) för att välja Bluetooth-läget.
2. "Bluetooth" visas på LCD-skärmen. Det innebär att Bluetooth söker efter en enhet.
3. Aktivera Bluetooth på din Bluetooth-enhet (såsom en mobiltelefon) och välj "Lenco PDR-065" för att ansluta.
4. När enheterna har anslutits visar LCD-skärmen "BT Connected" (BT ansluten).
5. Börja spela upp från din Bluetooth-enhet och njut av musiken.
6. Vrid volymvredet upp/ner (5) för att ställa in önskad volym.
7. Du kan trycka på knappen Gå till nästa ►► eller Gå till föregående ◄◄ på din Bluetooth-enhet för att kontrollera musikuppspelningen.
8. För att koppla bort Bluetooth-anslutningen kan du trycka på knappen Mode (Läge) (7) för att växla till ett annat läge eller inaktivera Bluetooth på din Bluetooth-enhet. LCD-skärmen visar "Bluetooth" igen och du kan parkoppla med en ny enhet eller stänga av enheten. Upprepa steg 3–5 ovan för att ansluta till en annan Bluetooth-enhet.

## Fler funktioner

### A. Inställningar för larmklockan

Den här funktionen låter systemet slås på automatiskt och väcka dig med lägena Summer, FM eller DAB. Ställ in systemet till DAB/FM-läget och tryck på knappen Menu (Meny) (2) och sedan på Tune +/- (Söka +/-) (4) knapp för att välja <System>. Tryck på knappen Enter (8) för att bekräfta. Tryck på knappen Tune +/- (Söka +/-) (4) för att välja <Alarm> (Larm). Tryck på knappen Enter (8) för att öppna timerns inställningsläge. LCD-skärmen visar Timer On time (Ställa in timern). Dessutom blinkar timsiffrorna på timerns klocka. Detta innebär att enheten är redo att öppna timerns inställningsläge.

- 1) Ställa in larm 1 : Tryck på knappen Alarm (Larm) för att välja inställningen av Alarm 1 (Larm 1). Tryck på knappen OK för att påbörja inställningen.
- 2) Ställa in tiden då enheten slås på : När du har öppnat inställningen av Larmet blinkar timsiffrorna. Tryck på knappen +/- för att ställa in timmen och sedan på Enter för att bekräfta. Minutsiffrorna blinkar nu istället. Tryck på knappen +/- för att ställa in minuterna och sedan på Enter för att bekräfta.
- 3) Varaktighet : Tryck sedan på knappen +/- för att välja larmets varaktighet mellan: 15, 30, 45, 60, 90, 120 (minuter). Tryck på knappen Tune +/- (Söka +/-) (4) för att välja läget Timer aktiverad. Tryck sedan på knappen Enter (8) för att lagra läget Timer aktiverad.
- 4) Källa : Tryck på knappen upp/ned för att välja väckningsläget mellan: Summer, FM och DAB.  
FM/DAB: Du kan välja mellan senast lyssnade eller från listan med förinställda stationer.

- 5) Frekvens  
Tryck på knappen +/- för att välja och sedan på OK för att bekräfta.  
: Du kan välja larmfrekvensen mellan: dagligen, en gång, helger eller vardagar.  
Om du väljer En gång måste du bekräfta larmets datum.  
Tryck på knappen Tune +/- (Söka +/-) (4) för att välja volymen vid Timer aktiverad. Tryck på knappen Enter (8) för att slutföra timerinställningen. Enheten återgår till standby-läge och skärmen visar timerikonen "⌚".
- 6) Larm på/av  
Tryck på knappen +/- för att aktivera eller inaktivera larmet och sedan på Enter för att bekräfta.  
När larmet är aktiverat visas larmikonen  på skärmen. Larmikonen försvinner dock om larmet inaktiveras.

**Anmärkning: -**

- För väckning med FM/DAB ställer systemet in den senaste radiostationen som lyssnades på innan det stängdes av.
- Om väckning med summer är valt avger enheten "pip"-ljud vid den valda tiden.
- Larminställningsläget är aktivt under cirka fyra sekunder. Det här systemet återgår automatiskt till ett normalt läge om inga knappar trycks in under tidsperioden.

**Larmet kan endast fungera när enheten är placerad på och ansluten till dockningsstationen!**

**B. SNOOZE**

Tryck en gång på knappen Snooze på enheten för att förlänga larmet, med fem minuter varje gång.

**C. Använda hörlurar**

Om ansluter kontakten på dina hörlurar till hörlursuttaget kan du lyssna utan att någon annan hör.

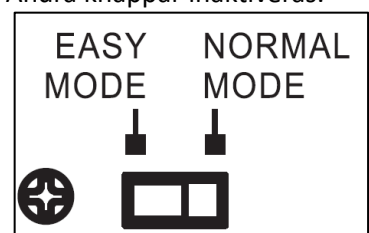
**LÄS DEN HÄR VIKTIGA INFORMATIONEN INNAN DU ANVÄNDER HÖRLURAR**

- 1) Undvik mycket hög volym under längre tidsperioder då detta kan skada din hörsel.
- 2) Om du upplever att det ringer i öronen ska du sänka volymen eller stänga av enheten.
- 3) Håll volymen på en rimlig nivå som låter dig höra ljud utifrån.

**D. Brytare för enkelt/normalt läge**

Det här systemet har en inbyggd brytare för enkelt/normalt läge på baksidan. Aktivera enkelt läge för att förenkla enhetens gränssnitt vilket gör den enklare att använda för äldre personer.

Skjut brytaren för enkelt/normalt läge till enkelt läge – Endast Power On/Off (Strömbrytaren) (3), Knapparna Preset (Förinställning) 1–4 (12–15) och volymreglaget (5) är fortfarande aktiva. Andra knappar inaktiveras.



EN	SE
EASY MODE	ENKELT LÄGE
NORMAL MODE	NORMALT LÄGE

Information	Obs	
Tillverkarens namn eller varumärke, kommersiellt registreringsnummer och adress	-	Shenzhen ABP Technology Co. Ltd. Adress: 2 <sup>nd</sup> floor, B2 Building, Xin hao sheng Industrial zone, Yonghe Road, Qiaotou, Fuhai Street, Bao an District, Shenzhen City, Guangdong 518103, P.R. Kina
Modellbeteckning	-	AD0181-0552500GB
Inspänning	Anges av tillverkaren. Ska vara ett värde eller intervall.	100 – 240 V
Inspänningens AC-frekvens	Anges av tillverkaren. Ska vara ett värde eller intervall	50/60 Hz
Utspänning	Typskyltens utspänning. Ska ange om det är AC eller DC.	5,5 V
Utström	Typskyltens utström.	2,5 A
Uteffekt	Typskyltens uteffekt.	13,75 W
Genomsnittlig verkningsgrad i aktivt läge	Deklareras av tillverkaren baserat på värdet som har beräknats som ett aritmetiskt medelvärde av verkningsgraden vid belastningsförhållandena 1–4.	87,403 %
Effektförbrukning vid låg belastning (10 %)	Deklareras av tillverkaren baserat på värdet som har beräknats vid belastningsförhållandet 5. Extern strömförsörjning med en typskylt som indikerar en uteffekt på 10 W eller mindre ska undantas från det här kravet.	71,9 %
Effektförbrukning utan belastning	Deklareras av tillverkaren baserat på värdet som har uppmätts vid belastningsförhållandet 6.	≤ 0,1 W

## Fjärrkontrollens sändare

### Sätta i batteriet (batteri ingår ej)

Den infraröda sändaren kräver 2 st. AAA-batterier för att användas

#### Beskrivning av knappar

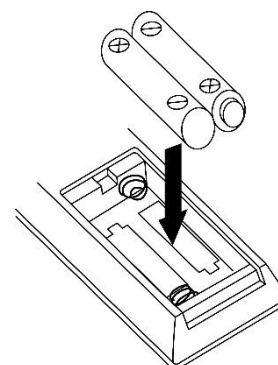
Ström på/standby	Tryck för att slå på/aktivera standby
Läge	Tryck för att välja ett funktionsläge
Meny	Tryck för att öppna menyinställningarna
-/+	Tryck för att välja alternativen
SKRIV IN	Tryck för att bekräfta inställningen
Förinställning	Tryck för att ange den förinställda FM/DAB-radiostationen
Förinställning nr. 1–4	För att återkalla en förinställd FM/DAB-station
Volym upp/ned	Tryck för att justera volymen



### SÄTTA I BATTERIET

Batterifacket finns på baksidan av fjärrkontrollen.

1. Ta bort batteriluckan genom att trycka fliken inåt och lyfta bort den.
2. Sätt i två (2) st. AAA-batterier (medföljer inte) i batterifacket och respektera polariteterna som finns markerade inuti.
3. Stäng batterifackets lucka.



#### VARNING GÄLLANDE BATTERIER

1. Se till att batterierna har satts i korrekt. En felaktig polaritet kan skada enheten.
2. Använd endast den storlek och typ av batterier som anges.
3. Blanda inte gamla och nya batterier.
4. Blanda inte alkaliska batterier, standardbatterier (kol-zink) och laddningsbara (nickel-kadmium) batterier.
5. Ta ur batterierna om enheten inte ska användas under en längre tidsperiod. Gamla eller läckande batterier kan orsaka enhetsskador och göra garantin ogiltig.
6. Försök inte att ladda batterier som inte uppladdningsbara. De kan överhettas och spricka. (Följ batteritillverkarens anvisningar).
7. Kassera inte batterier i öppen eld då de kan läcka eller explodera.

**OBS! På grund av kraven i ERP steg två och för att skydda miljön aktiverar enheten automatiskt sitt standby-läge när ingen musik har spelats upp under 15 minuter.**

### 1. Garanti

Commaxx B.V. erbjuder service och garanti i enlighet med europeisk lagstiftning, vilket innebär att du vid fall av reparationer (både under och efter garantins giltighetsperiod) ska kontakta din lokala återförsäljare.

Viktig information: Det går inte att skicka produkter som behöver repareras direkt till Commaxx B.V.

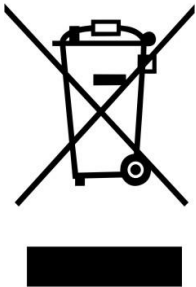
Viktig information: Om enheten öppnas eller på något sätt tillgängliggörs av ett icke-officiellt servicecenter, upphör garantin att gälla.

Enheten är inte lämplig för professionellt bruk. Vid yrkesmässig användning, upphör tillverkarens samtliga garantier att gälla.

### 2. Ansvarsfriskrivning

Uppdateringar av fast programvara och/eller hårdvarukomponenter sker regelbundet. Därmed kan vissa anvisningar, specifikationer och bilder i den här dokumentationen skilja sig något från din faktiska situation. Alla delar som beskrivs i den här handboken är endast avsedda som illustration och är eventuellt inte tillämpliga i specifika situationer. Inga juridiska rättigheter eller anspråk kan erhållas från beskrivningen i denna manual.

### 3. Bortskaffande av gammal enhet



Denna symbol anger att den relevanta elektriska produkten eller batteriet ska inte kasseras i det allmänna hushållsavfallet i Europa. När den korrekta avfallsbehandlingen för produkten och batteriet ska säkerställas, ska elektrisk utrustning eller batterier kasseras i enlighet med varje krav på tillämplig lokal lagstiftning. Genom detta handlande bidrar du till att återvinna naturresurser och förbättra normer för miljöskydd och kassering av elektrisk avfall (elektrisk och elektronisk utrustning).

#### 4. FÖRSÄKRAN OM EFTERLEVNAD

Härmed intygar Commaxx att radioutrustningen av typen [Lenco PDR-065] efterlever direktiv 2014/53/EU.

Den fullständiga texten gällande EU-försäkran om överensstämmelse finns på följande internetadress:

[https://commaxx-certificates.com/doc/pdr-065\\_doc.pdf](https://commaxx-certificates.com/doc/pdr-065_doc.pdf)

RF-typ	Frekvensintervall (MHz)	Effekt (dBm)
Bluetooth	2402–2480	< 6
DAB	174–240	-
FM	87,5–108	-

#### 5. Service

För mer information och support via vår helpdesk går du till [www.lenco.com](http://www.lenco.com)

Commaxx B.V. Wiebachstraat 37, 6466 NG Kerkrade, The Netherlands.