

INSTRUCTION MANUAL

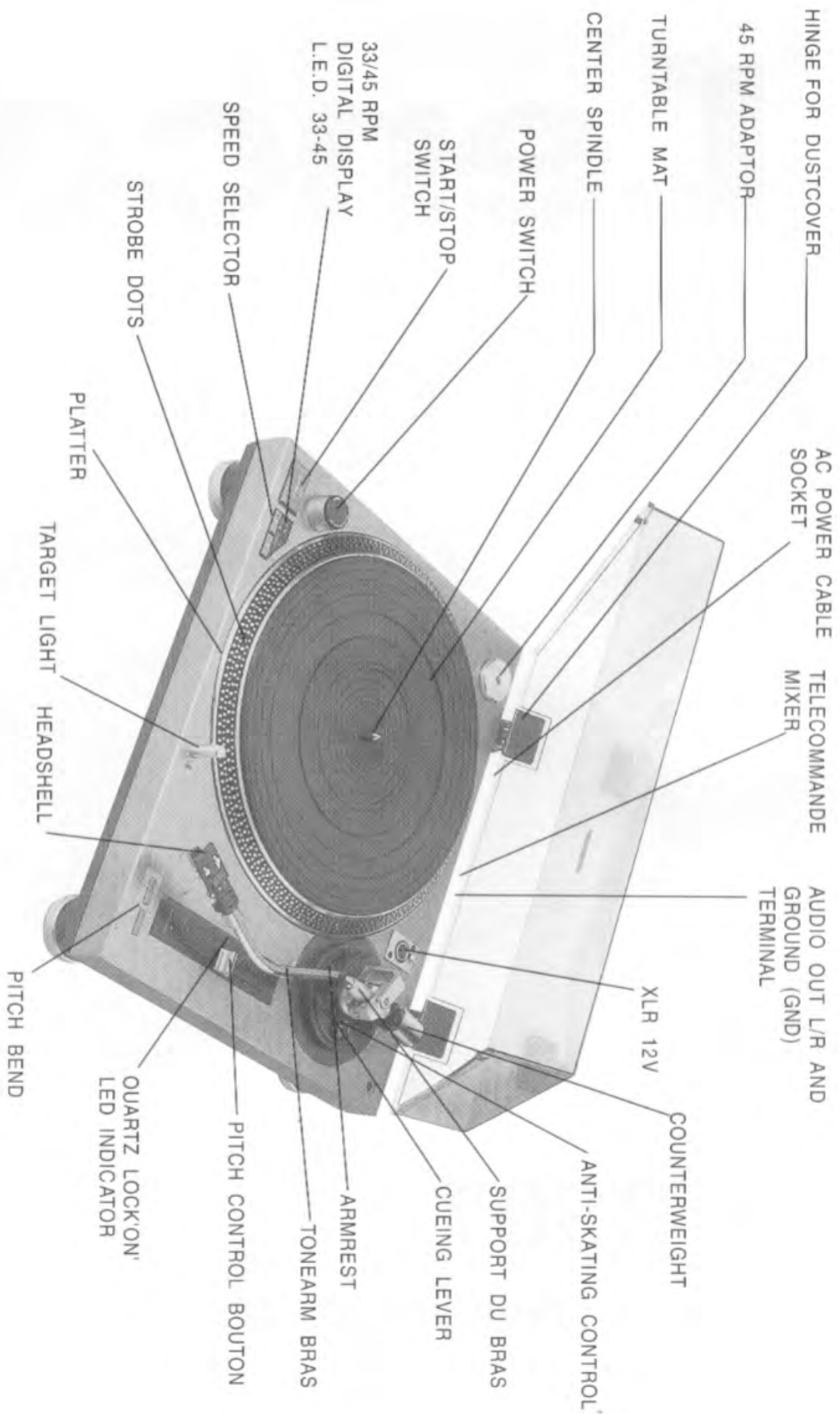
**Lenco<sup>®</sup>**



**L 3807**

**DIRECT DRIVE TURNTABLE**

# ENGLISH



## BEFORE USE

### **Caution:**

Never connect the AC power plug before assembly has been completed.

Attach the dust cover last, so that assembly and adjustments can be made most conveniently.

### **Note**

The operating instructions are commonly applicable to units with cartridge and also to those of different colors.

### **Checklist of parts**

Turntable unit-----	1
Turntable platter-----	1
Turntable mat-----	1
Dust Cover-----	1
45-rpm adaptor-----	1
Balance weight-----	1
Headshell-----	1

## Assembly and set-up

### **\* Installation of turntable platter**

Set the turntable base on a smooth level surface. After checking to make sure that all packing materials have been removed, carefully place the platter on the center spindle. Put the mat on the platter.

### **\* Installation of cartridge**

When you install a cartridge, refer to the operation instructions of that cartridge.

During installation, attach the stylus protector to guard the stylus tip from damage.

1. Connect the lead wires to the cartridge terminals. The terminals of most cartridges are color coded. Connect each lead wire to the terminal of same color.

White (L+)	Left channel+
Blue (L-)	Left channel -
Red (R +)	Right channel +
Green (R -)	Right channel -
2. Install a cartridge to the headshell, and tighten it with screws provided with the cartridge.

### **\* Adjustment of anti-skating control**

Set the anti-skating control knob to the same value as the stylus pressure.

### **\* Installation of dust cover**

Place the dust cover in position from directly above, holding it at both sides. For detaching the dust cover, be certain first to raise it as illustrated before removal.

### **Note:**

Opening or closing of the dust cover during play should be avoided. This may not only cause undersired vibrations, but also result in skipping of the stylus. If you must open the dust cover during play, do so as gently as possible.

The legs/insulators also have functions for adjusting the height of turntable unit itself. After installing the unit in the place for use, adjust the legs to stabilize the main body horizontally.

### **\*High torque for fast starts**

The integral rotor/platter motor delivers 0.5 kg cm (0.4 lb in) starting torque. This high torque gives very quick starts enabling the platter to reach 33-1/3 rpm within 0.5s. (a quarter of a turn). This is a big advantage in many professional applications where fast cueing is a necessity.

## Placement

- \* Place the unit in a stable and horizontal position, where there is little or no vibration.
- \* Locate the unit as far away from the speakers as possible and isolate the unit from sound radiation from them.
- \* Do not place the unit where it is exposed to direct sun, dust, moisture or heat.
- \* Keep it in a well ventilated place.
- \* When a radio is placed too close to the turntable and is played while the turntable is in operation, interference to AM/FM reception may result.

## Connections

### \* Connect the AC power plug

Connect the AC power plug to an AC wall socket.  
The AC line-voltage selector is located under the turntable platter.

### \* Connect the output terminals

Output terminals	Amplifier or Receiver
L (White)	<u>L</u> - Channel
R (Red)	<u>R</u> -Channel
GND(Spade lug)	<b>GND</b>

#### **Note:**

Be sure to connect the ground terminal firmly to the amplifier or receiver. If this connection is not made or is loose, a power source "HUM" will result.

## How to operate

1. Place a record on the turntable mat.
2. Turn the power switch to the "ON" position. The speed indicator and the strobe-illuminator will all light up.
3. Remove the stylus protector, if your cartridge has a detachable one.
4. Release the arm clamp.
5. Push the start/stop button.  
The turntable platter will start to rotate.
6. Set the cueing lever to the up position.
7. Move the tonearm over the desired groove.
8. Set the cueing lever to the down position.  
The tonearm will descend slowly onto the record and play will begin.
9. When play is finished, move the tonearm to the arm rest, secure the tonearm with the arm clamp.
10. Push the start/stop button  
After the turntable is brought to a stop by means of electronic brake, turn off the power.  
**Note:**  
The electronic brake does not function if the power switch is turned off before the start/stop button is pushed.
11. **Pitch Bend (PITCH BEND BUTTON)**  
The pitch will automatically rise when the + button is pressed and returned to the speed as pitch control button located when it is released. The pitch will drop when the - button is pressed.

#### \* How to suspend play

Set the cueing lever to the "up" position.  
The stylus tip of the cartridge will be lifted from the recorder.

#### \*When you play 45-rpm record with a large center hole

Place the 45-rpm adaptor on the center spindle. Push the 45 speed select button.

#### \*Stylus illuminator (Target Light)

This unit is provided with a stylus illuminator for illuminating the stylus tip during play. By pressing the stylus illuminator switch, the stylus illuminator is raised into position for illuminating the stylus tip. When not in use, keep the stylus illuminator lowered through depression.

Note:

The switch must be firmly engaged.

Incomplete depression of the switch will not raise the illuminator even though the lamp is lit.

### Adjustments

#### \* Pitch control (fine adjustment of speed)

When the pitch control knob is located at the center of the position after turning on the power, the GREEN LED indicator is lit showing the operating condition for the predetermined speed (either 33-1/3 or 45 rpm). When the pitch control knob is not located at the center, the indicator will be off. The pitch control is variable in a range of about of  $\pm 10\%$ . Figures on the indicator show approximate percentages for variable pitch control.

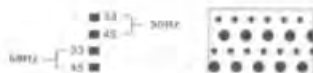
Observe the appropriate strip of strobe calibration dots from the strobe lens. The lower strip is for 60Hz power supply; the upper one is for 50Hz.

If the strobe dots appear to flow to the right which means the platter is revolving slower than the rated speed; turn the pitch control knob in "+" direction until the strobe dots do appear to be stationary. If the strobe dots appear to flow to the left which means the platter is revolving faster than the rated speed; turn the pitch control knob in "-" direction until the strobe dots appear to be stationary.

Note:

The strobe illumination of this unit employs a strobe-illuminator LED synchronized with the precise quartz frequency.

For the adjustment of turntable speed, be sure to effect the adjustment according to the LED illumination. The LED illumination is not synchronized using fluorescent lamps.



#### Adjustments of horizontal zero (0) balance and stylus pressure

- ◆ If your cartridge has a detachable stylus protector, remove it and be careful not to touch the stylus tip.
- ◆ Release the arm clamp and lift the tone arm from the arm rest.
- ◆ Turn the counterweight clockwise or counter-clockwise until the tone arm is balanced horizontally as floating freely. During adjusting the horizontal zero (0) balance, be careful that the stylus tip does not contact the turntable mat or turntable base.
- ◆ After the tone arm is horizontally zero (0) balanced temporarily, place the tone arm on the arm rest and lock it with the arm clamp.
- ◆ While rotating the stylus-pressure ring, hold the counterweight steady with one hand until "0" on the ring aligns with center line on the tone arm rear shaft. Now the adjustment of the horizontal zero (0) balance should be complete.
- ◆ After adjusting the horizontal zero (0) balance, turn the balanced counterweight counter-clockwise to get the proper stylus pressure as the cartridge manufacturer's recommendation when it meets center line on the tone arm rear shaft.

## Notes and maintenance

- \* Use utmost care when handling the platter and when placing it on the motor shaft to prevent possible damage to the magnet.
- \* Do not turn on the power supply, with the turntable platter detached.
- \* Before detaching or attaching the headshell, be sure to turn the power of the amplifier or receiver off.  
Detaching or attaching the headshell with the volume control turned up may cause damage to the speaker.
- \* Dust and dirt should be carefully removed from stylus tip or records.  
Dust and dirt on the stylus tip or record may not only result in deterioration of tone quality, but also cause undue wear of recorder and the stylus tip itself.  
Special stylus tip brushes and record cleaners can be purchased in most electronic supply houses.
- \* Wire the headshell terminals from time to time.  
Dust and dirt at the headshell terminals may result in increased "HUM" noise or intermittent sound. Use a soft dry cloth to clean the headshell terminals.
- \* Wipe the dust cover and turntable base with a soft, dry cloth.  
Never use any cleaners containing alcohol, benzine or thinner.  
Use of a chemical dust cloth should also be avoided. Be sure that the dust cover is not exposed to insecticide spray. To remove stubborn fingerprints or grease spots, detach the dust cover and disconnect the AC power plug.  
Use a soft cloth slightly moistened with a mild soap and water solution.  
Do not wipe the dust cover during play, or the tonearm may be attracted toward the dust cover due to the generation of static electricity.
- \* Transportation of the unit to distant places for removal and the like.  
Pack up the unit in the reverse order to that for unpacking, using the packing materials furnished when the unit was purchased. Should there be no such packing materials, be sure to take the following steps.  
Sollte dieses Verpackungsmaterial nicht mehr zur Verföugung stehen, beachten Sie bitte:
  - \* Remove the turntable platter together with the turntable mat, and warp it up to prevent any damage to them.
  - \* Return the tonearm to the arm rest, and affix it with tape or the like.
  - \* Remove the balance weight and the headshell/cartridge from the tonearm and then warp them up to avoid any damage to them.
  - \* Warp up the turntable base with a blanket or soft paper also to prevent any possible damage to it.

### For longer and safer use of this unit

In order to receive the best service from this unit, and for the safest operation, carefully read the following information.

#### **\*Power source**

It is very dangerous to use this unit at a voltage which is different from the rated voltage.

There is danger of combustion if the unit is connected to a power source which is different from the rated voltage. Be very careful concerning this point.

Direct current cannot be used.

- \* There are some places, such as ships, where direct current is used as the power source. Before connecting the unit, confirm the power source.

#### **\* Connection of power cord**

Be sure to never touch the power cord with wet hands because there is danger of electric shock, this is true, of course, of all electric equipment.

Do not pull the power cord.

Never pull the power cord to disconnect it. Always pull the plug only.

#### **\*Location of unit**

Choose a place which is not in direct sunlight.

Select a place which will assure good ventilation.



**\*Never place heating equipment nearby**

Be sure to keep stoves and other sources of heat away from this unit, because heat radiated by such equipment may cause deformation of plastic parts or damage the cabinet, or, at worse, cause a fire.

**\*Especially for families with children**

Take care that no small items, such as metal objects, are put inside this unit.

In addition, children should be especially warned not to put anything into the ventilation holes, such as toys or a screwdriver, because these things may cause an electric shock or result in a malfunction of the unit.

**\*If water spills on the unit.**

If water should happen to spill on the unit, from an overturned glass for example, there is danger of fire or electric shock. Disconnect the power plug from the electric outlet immediately, and contact the store from which the unit was purchased.

**\*Reconstruction can cause accidents**

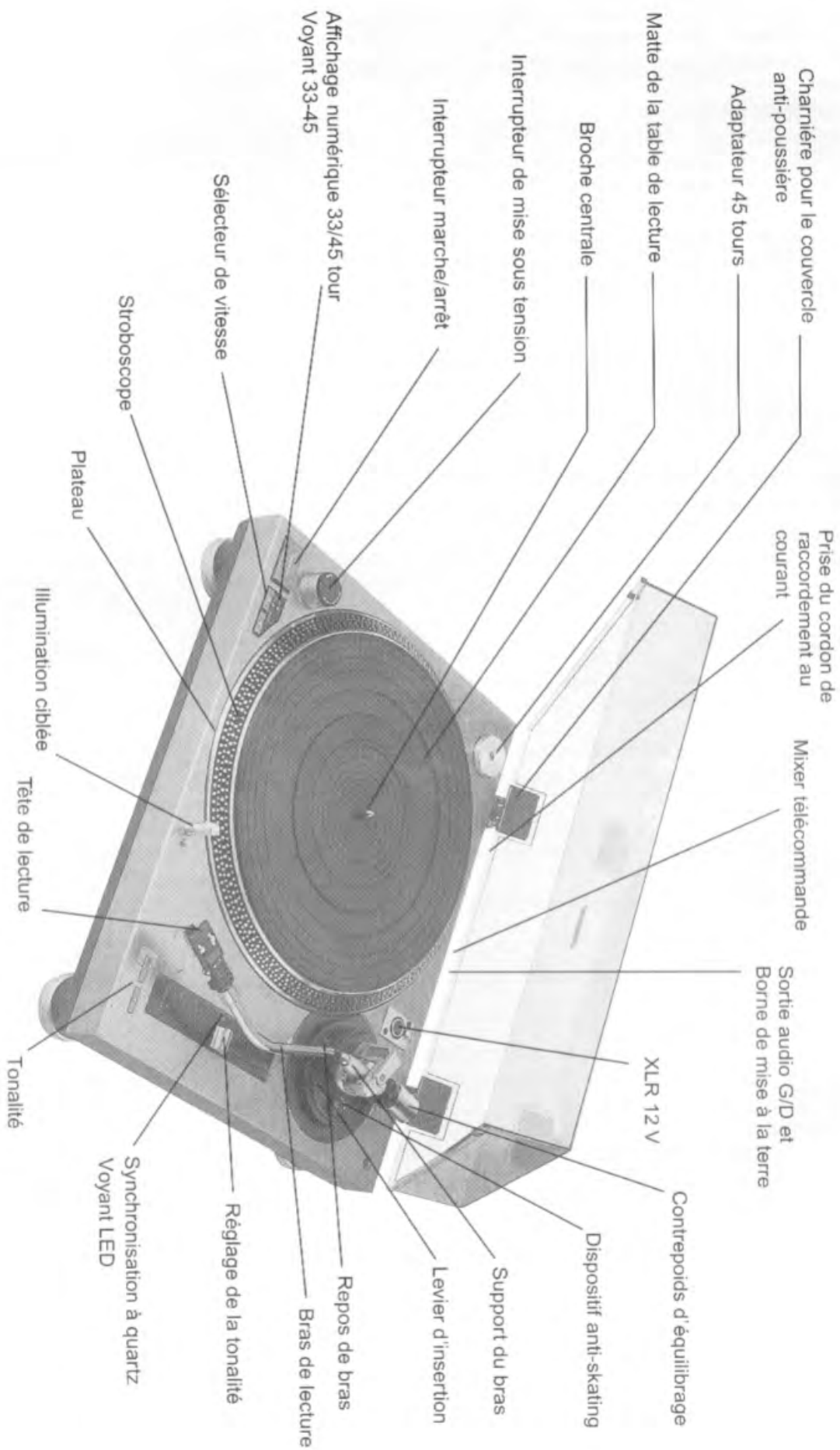
Absolutely never try to remodel, reconstruct or repair this unit yourself. Do not attempt to touch any internal parts because to do so may result in an electric shock or other accident.

**\*Be sure the power is off**

After you have finished using this unit, check once more to be sure that the power is off. If the unit is left with the power on for a long period of time, it may not only be damaged, thus shortening its useful life, but may also lead to a dangerous accident.



If at any time in the future you should need to dispose of this product please note that: Waste electrical products should not be disposed of with household waste. Please recycle where facilities exist. Check with your Local Authority or retailer for recycling advice. (Waste Electrical and Electronic Equipment Directive)





## Avant l'utilisation

### Attention:

Ne jamais brancher le cordon de raccordement au courant du secteur avant que l'installation soit terminée.

Mettre le couvercle en dernier afin de pouvoir procéder à l'installation et aux réglages plus confortablement.

### Remarque

Les instructions fournies dans le mode d'emploi sont applicables aussi bien aux appareils à cellule de lectures qu'aux appareils de différentes couleurs.

### Liste de vérification des pièces:

Tourne-disque	1
Plateau tourne-disque	1
Matte tourne-disque	1
Couvercle anti-poussière	1
Adaptateur 45 tours	1
Contrepoids d'équilibrage	1
Cellule de lecture	1

## Montage et installation

### Installation du plateau du tourne-disque

Placer la base du tourne-disque sur une surface plate et tendre. Après avoir vérifié que tout le matériel d'emballage a été enlevé, poser le plateau sur la borne centrale. Mettre la matte sur le plateau.

### Installation de la cellule de lecture

Pour installer la cellule de lecture, se référer aux instructions données pour cette cellule.

Pendant l'installation, mettre la protection de la pointe du diamant pour la préserver de tout endommagement.

1. Connecter les fils électriques aux contacteurs de la cellule de lecture.  
Les contacteurs de la plupart des cellules de lecture sont codés en couleurs.  
Connecter chaque fil au contacteur de la même couleur.  
Blanc (G +)                      Voie gauche +  
Bleu (G -)                        Voie gauche -  
Rouge (D +)                      Voie droite +  
Vert (D -)                         Voie droite -
  2. Installer la cellule de lecture dans la tête de lecture et la fixer à l'aide des vis fournies avec la cellule.
- **Réglage du dispositif anti-skating**  
Mettre le bouton de réglage anti-skating sur la même valeur que la pression de tête de lecture.
  - **Installation du couvercle anti-poussière**  
Poser le couvercle directement par dessus en le tenant des deux côtés. Pour enlever le couvercle, veiller d'abord à le soulever comme illustré avant de l'enlever complètement.
    - **Remarque:**  
Il est recommandé d'éviter de lever ou de baisser le couvercle en cours de lecture d'un disque. Ceci peut être la cause de vibrations et de saut du diamant. Si l'on doit tout de même ouvrir le couvercle en cours de lecture, le faire avec le plus de précautions possibles.
  - Les pieds d'isolation servent également à régler la hauteur du tourne-disque lui-même. Après avoir mis l'appareil à la place voulue, procéder au réglage des pieds pour stabiliser l'appareil à l'horizontale.
  - **Couple de rotation élevé pour un démarrage rapide**  
Le moteur du plateau de rotation intégré fournit 0.5 kg cm (0.4 lb in) de couple de démarrage. Le

couple élevé donne un démarrage très rapide permettant au plateau d'atteindre 33-1/3 tours en 0,5s (un quart de tour). Ceci est un grand avantage pour beaucoup d'applications professionnelles où une insertion rapide est nécessaire.

### Mise en place

- Mettre l'appareil dans un endroit stable et en position horizontale où il n'y a pas ou peu de vibrations.
- Mettre l'appareil aussi loin que possible des enceintes acoustiques et l'isoler du rayonnement du son qui en provient.
- Ne pas mettre l'appareil dans un endroit où il serait exposé aux rayons directs du soleil, à la poussière, à l'humidité ou à la chaleur.
- Garder l'appareil dans une pièce bien aérée.
- Quand une radio est placée trop près du tourne-disque et qu'elle marche tandis qu'un disque est en train de tourner, des interférences peuvent se faire entendre à la radio en réception PO et FM.

### Connexions

- **Connecter le cordon de raccordement au courant du secteur**  
Brancher le cordon de raccordement dans une prise murale de courant alternatif du secteur.  
Le sélecteur de tension du courant alternatif se trouve dessous le plateau du tourne-disque.

- **Connecter les bornes de sortie**

Bornes de sortie	Amplificateur ou récepteur
G (Blanc)	Voie gauche
R (Rouge)	Voie droite
Terre (Borne)	Terre

#### Remarque:

Veiller à connecter la borne de mise à la terre solidement à l'amplificateur ou au récepteur. Si cette connexion n'est pas ou mal faite, un ronflement se fera entendre.

### Utilisation

1. Poser un disque sur la matre du plateau du tourne-disque.
2. Mettre l'interrupteur sur MARCHÉ.  
L'indicateur de vitesse et le stroboscope vont s'allumer.
3. Retirer la protection de la pointe du diamant si la cellule de lecture est amovible.
4. Relâcher le pince-bras.
5. Appuyer sur le bouton marche/arrêt.  
Le plateau du tourne-disque se met à tourner.
6. Mettre le levier d'insertion en position Haut.
7. Mettre le bras au-dessus du sillon voulu.
8. Mettre le levier d'insertion en position Bas.  
Le bras de lecture s'abaisse lentement sur le disque et la lecture commence.
9. Quand la lecture du disque est terminée, mettre le bras de lecture sur le bras de repos et immobiliser le bras de lecture dans le pince-bras.
10. Appuyer sur le bouton marche/arrêt.  
Une fois que le plateau s'est arrêté de tourner au moyen du frein électronique, mettre l'appareil hors tension.

#### Remarque:

Le frein électronique ne fonctionne pas si le courant est fermé avant d'avoir appuyé sur le bouton marche/arrêt.

## TONALITÉ (BOUTON DE RÉGLAGE DE LA TONALITÉ)

La tonalité augmente automatiquement quand on appuie sur le bouton + et revient à la vitesse réglée quand on tourne le bouton + en le relâchant. La tonalité diminue quand on appuie sur le bouton -

- **Pour interrompre momentanément la lecture**

Mettre le levier d'insertion en position Haut.  
Le diamant sera levé du disque.

- **Pour jouer un disque 45 tours à gros trou central**

Placer l'adaptateur 45 tours sur la broche centrale. Appuyer sur le sélecteur de vitesse 45 tours

- **Pour éclairer le diamant (Éclairage ciblé)**

Cet appareil est doté d'un dispositif d'éclairage de la pointe du diamant pour l'éclairer en cours de lecture.

En appuyant sur le bouton d'éclairage de la pointe du diamant, le dispositif d'éclairage se lève pour pouvoir éclairer la pointe du diamant. Quand ce dispositif n'est pas utilisé, il y a lieu de le garder abaissé en appuyant sur la touche.

**Remarque:**

L'interrupteur doit être fermement engagé.

Une mauvaise pression sur l'interrupteur ne permettra pas de lever le dispositif d'éclairage, même si la lampe est allumée.

### Réglages

- **Réglage de hauteur du son (ajustage de la vitesse)**

Quand le bouton de réglage de hauteur du son se trouve en position centrale et que l'appareil est mis sous tension, l'indicateur lumineux VERT s'allume, indiquant que l'appareil est en état de marche pour la vitesse prédéterminée (soit 33-1/3, soit 45 tours).

Quand le bouton de réglage de hauteur du son ne se trouve pas en position centrale, l'indicateur reste éteint. La hauteur du son peut être réglée dans une gamme de variation d'environ 10%. Les chiffres apparaissant sur l'indicateur montrent le pourcentage approximatif de variation de réglage de hauteur du son.

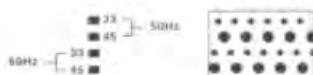
Observer les lignes appropriées des points de calibrage stroboscopiques à travers le stroboscope. La bande la plus basse est pour une alimentation de 60 Hz; la plus haute pour 50 Hz.

Si les points stroboscopiques semblent couler vers la droite, cela signifie que le plateau tourne plus lentement que la vitesse nominale; tourner le bouton de réglage de la tonalité dans la direction "+" jusqu'à ce que les points stroboscopiques semblent rester stationnaires. Si les points stroboscopiques semblent couler vers la gauche, cela signifie que le plateau tourne plus vite que la vitesse nominale; tourner le bouton de réglage de la tonalité dans la direction "-" jusqu'à ce que les points stroboscopiques semblent rester stationnaires.

**Remarque:**

L'éclairage stroboscopique de cet appareil utilise un éclairage stroboscopique LED synchronisé avec la fréquence quartz précise.

Pour le réglage de la vitesse du plateau, veiller à effectuer le réglage conformément à l'éclairage LED. L'éclairage LED n'est pas synchronisé avec des lampes fluorescentes



- **Réglage du point neutre (0) horizontal d'équilibrage et de la pression de la pointe de lecture**

- ◆ Si la pointe de la cellule de lecture est équipée d'une protection détachable, ôter la protection en prenant garde à ne pas toucher la pointe.
- ◆ Dégager le bras du pince-bras et soulever le bras de lecture de son support.
- ◆ Tourner le contrepoids dans le sens inverse de celui des aiguilles d'une montre jusqu'à placer le bras de lecture en équilibre à l'horizontale et à le faire "flotter" librement. Lors du réglage du point neutre (0) horizontal d'équilibrage, la pointe de lecture ne doit pas entrer en contact avec la feutrine ou le socle du tourne-disque.

- ◆ Lorsque le bras de lecture est temporairement en équilibre à l'horizontale en position neutre (0), placer le bras de lecture sur son support et le fixer à l'aide du pince-bras.
- ◆ Tout en tournant la bague de pression de la pointe de lecture, maintenir fermement le contrepoids à l'aide d'une main jusqu'à aligner le "0" de la bague avec la marque centrale sur le manche arrière du bras de lecture. Le point neutre (0) horizontal d'équilibrage devrait ainsi être réglé.
- ◆ Une fois le réglage du point neutre (0) horizontal d'équilibrage terminé, tourner le contrepoids équilibré dans le sens inverse de celui des aiguilles d'une montre pour régler la pression de la pointe de lecture conformément aux recommandations du fabricant de la cellule, jusqu'à la ligne centrale sur le manche arrière du bras de lecture.

Remarque : la pointe de lecture du L 3807 a une force d'appui de 3g ( 2,5~ 3,5 g )

#### Remarques et entretien

- **Faire très attention en manipulant le plateau et en le plaçant sur l'arbre du moteur afin d'éviter tout endommagement de l'aimant.**
- **Ne pas mettre l'appareil sous tension tant que le plateau n'est pas mis en place**
- **Avant de mettre ou d'enlever la tête de lecture, s'assurer de bien mettre l'amplificateur ou le récepteur hors tension.**  
Si l'on enlève ou si l'on met la tête de lecture pendant que le bouton de réglage du volume sonore est tourné sur haut, ceci peut endommager les enceintes acoustiques.
- **Quand la lecture du disque est terminée, immobiliser le bras de lecture dans le pince-bras**  
Après avoir joué un disque, si l'appareil ne doit plus être utilisé pendant un certain temps, il est recommandé d'immobiliser le bras de lecture afin de protéger la pointe du diamant. Pour cette même raison, il y a lieu de mettre la protection de la pointe du diamant.
- **Il faut enlever la poussière et nettoyer les saletés déposées sur la pointe du diamant ou sur les disques.**  
De la poussière ou de la saleté déposées sur la pointe du diamant ou sur un disque ne sont pas seulement responsables d'une détérioration de la restitution du son, mais peuvent en outre engendrer une usure prématurée du disque ou de la pointe du diamant elle-même.  
Des petites brosses spéciales pour le nettoyage de la pointe du diamant ainsi que des produits de nettoyage de disques peuvent être achetés dans la plupart des magasins d'appareils électroniques.
- **Essuyer les contacteurs de la tête de lecture de temps en temps.**  
De la poussière ou de la saleté déposées sur les contacteurs de la tête de lecture peuvent être la cause d'un ronflement croissant ou d'un son intermittent. Utiliser un chiffon sec et doux pour nettoyer les contacteurs.
- **Essuyer le couvercle et la base de l'appareil avec un chiffon sec et doux.**  
**Ne jamais utiliser de produits contenant de l'alcool, et l'essence ou un diluant.**  
L'utilisation d'un chiffon à poussière chimique devrait également être évitée. Veiller à ne pas exposer le couvercle aux aérosols insecticides.  
Pour éliminer des traces de doigts tenaces ou des taches de graisse, enlever le couvercle et débrancher l'appareil de la prise de courant murale.  
Utiliser un chiffon doux légèrement imbibé d'eau savonneuse.  
Ne pas enlever la poussière du couvercle en cours de lecture d'un disque, le bras de lecture pouvant être attiré vers le couvercle à cause de l'électricité statique générée.
- **Transport de l'appareil dans un endroit éloigné, pour un déménagement par exemple.**  
Ré-emballer l'appareil dans le sens contraire à son déballage en utilisant le matériel d'emballage dans lequel l'appareil était au moment de l'achat. Au cas où ce matériel n'existerait plus, procéder selon la marche à suivre ci-après:
  - Enlever le plateau du tourne-disque ensemble avec la matre du tourne-disque et les envelopper dans du papier fin pour prévenir tout endommagement possible.
  - Remettre le bras de lecture sur le bras de repos et le fixer avec du ruban adhésif ou autre de ce genre.
  - Enlever le contrepoids d'équilibrage et la tête de lecture/cellule de lecture du bras de lecture et les envelopper dans du papier fin pour prévenir tout endommagement.
  - Envelopper la base du tourne-disque dans une couverture ou du papier fin pour prévenir tout endommagement possible.

## Pour une longue utilisation en toute sécurité de cet appareil

Pour obtenir une performance optimale avec cet appareil et garantir une utilisation en toute sécurité lire attentivement les informations suivantes:

- **Source d'alimentation**

**Il est très dangereux d'utiliser cet appareil sur une tension différente de la tension nominale.**

Il y a un risque de combustion si l'appareil est branché à une source d'alimentation qui diffère de la tension nominale.

Faire très attention à ce point.

Le courant continu ne peut pas être utilisé.

Il y a des endroits, comme par exemple sur un navire, où c'est le courant continu qui est utilisé comme source d'alimentation. Avant de brancher l'appareil, s'assurer de la source d'alimentation.

- **Connexion du cordon de raccordement**

**Veiller à ne jamais toucher le cordon de raccordement avec des mains mouillées**, ceci représentant un risque de recevoir une décharge électrique, ce qui est valable bien sûr pour tous les appareils électriques.

**Ne pas tirer sur le cordon**

Ne jamais tirer sur le cordon de raccordement pour débrancher la prise. Ne tirer que par la prise.

- **Emplacement de l'appareil**

Choisir un emplacement qui ne se trouve pas exposé aux rayons directs du soleil.

Choisir un emplacement garantissant une bonne aération.

- **Ne jamais mettre d'appareil de chauffage à proximité**

Veiller à tenir des radiateurs ou autres sources de chaleur loin de cet appareil car la chaleur dégagée par de tels appareils peut provoquer la déformation des pièces en matière plastique, endommager le boîtier, ou encore, ce qui est pire, provoquer un incendie.

- **Spécialement pour les familles ayant des enfants**

Veiller à ce que de petits objets, tels qu'agrafes métalliques ou autres de ce genre ne pénètrent pas à l'intérieur de l'appareil,

En outre, les enfants devraient être spécialement avertis de ne rien mettre dans les trous de ventilation, tels que jouets ou tournevis, car ces objets peuvent provoquer une décharge électrique ou être la cause d'un mauvais fonctionnement de l'appareil.

- **Si de l'eau tombe sur l'appareil**

Si de l'eau tombe sur l'appareil, en renversant un verre par exemple, il y a risque d'incendie ou de décharge électrique. Débrancher immédiatement le cordon de raccordement de la prise de courant murale et s'adresser au service après-vente du magasin où l'appareil a été acheté.

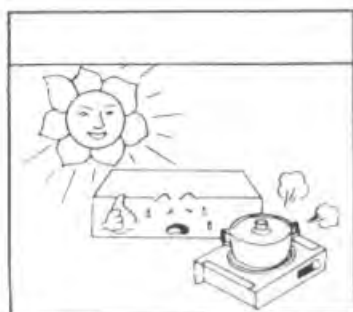
- **Des modifications peuvent être la cause d'accidents.**

Il ne faut en aucune façon essayer de modifier, reconstruire ou réparer l'appareil soi-même. Ne pas essayer de toucher quelque pièce que ce soit à l'intérieur de l'appareil, ceci pouvant provoquer une décharge électrique ou autre accident.

- **S'assurer que l'appareil est hors tension**

Une fois que l'on a fini d'utiliser l'appareil, vérifier encore une fois pour s'assurer que l'appareil est bien hors tension. Si l'appareil reste branché pendant une période prolongée, cela peut non seulement l'endommager, raccourcissant ainsi sa durée de vie, mais cela peut aussi être la cause d'un accident grave.

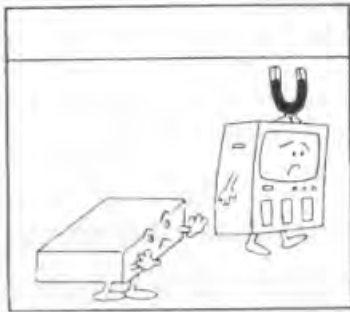




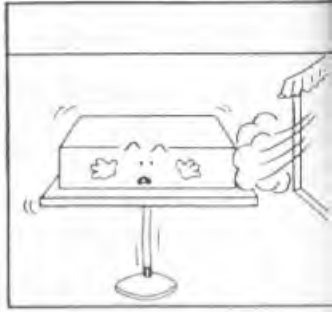
Attention aux températures élevées



Éviter poussière et humidité



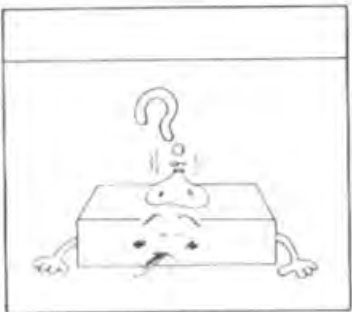
Tenir éloigné du téléviseur et d'aimants



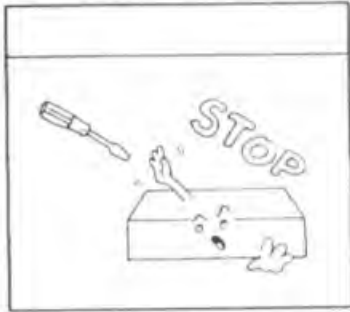
Éviter de placer l'appareil sur une surface non stable



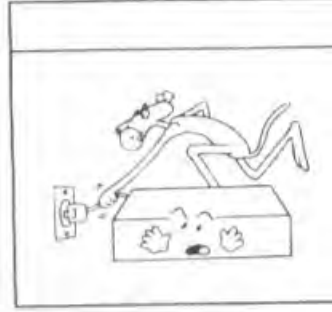
Ne pas utiliser de produits chimiques



Si l'appareil ne fonctionne plus, s'adresser au revendeur



Ne pas ouvrir le boîtier



Manipuler le cordon de raccordement avec précaution

## POUR UN FONCTIONNEMENT EFFICACE ET EN TOUTE SÉCURITÉ

### 1. Attention à la chaleur et aux températures extrêmes

Éviter d'exposer l'appareil aux rayons directs du soleil et à proximité d'une source de chaleur. Ne pas le mettre dans un endroit dont la température est au-dessous de 41°F/5°C ou au-dessus de 95°F/35°C.

### 2. Ne pas exposer l'appareil à l'humidité, à l'eau et à la poussière

Ne pas mettre l'appareil dans un endroit très humide ou très poussiéreux. Des récipients contenant des liquides ne devraient pas être posés sur l'appareil.

### 3. Tenir l'appareil éloigné des sources de ronflement et de bruit

Tels que transformateurs, moteur, tuners, téléviseurs et amplificateurs.

### 4. Éviter de placer l'appareil sur une surface non stable

Choisir un endroit horizontal et stable pour éviter toute vibration.

### 5. Ne pas utiliser de produits chimiques ou volatils pour nettoyer l'appareil

Utiliser un chiffon propre et sec pour essuyer la poussière, ou un chiffon doux légèrement humidifié pour les taches tenaces.

### 6. Si l'appareil ne fonctionne plus, prendre contact immédiatement avec le revendeur

Si des problèmes surgissent, débrancher rapidement le cordon de raccordement de la prise de courant murale et contacter un technicien qualifié pour faire réparer l'appareil, ne pas ouvrir le boîtier soi-même, car il y a des risques de recevoir une décharge électrique.

### 7. Manipuler le cordon de raccordement avec précaution

Ne jamais tirer sur le cordon de raccordement pour le débrancher de la prise de courant murale mais prendre la prise du cordon en main. Quand l'appareil n'est pas utilisé pendant un certain temps, il y a lieu de le débrancher de la prise de courant murale.

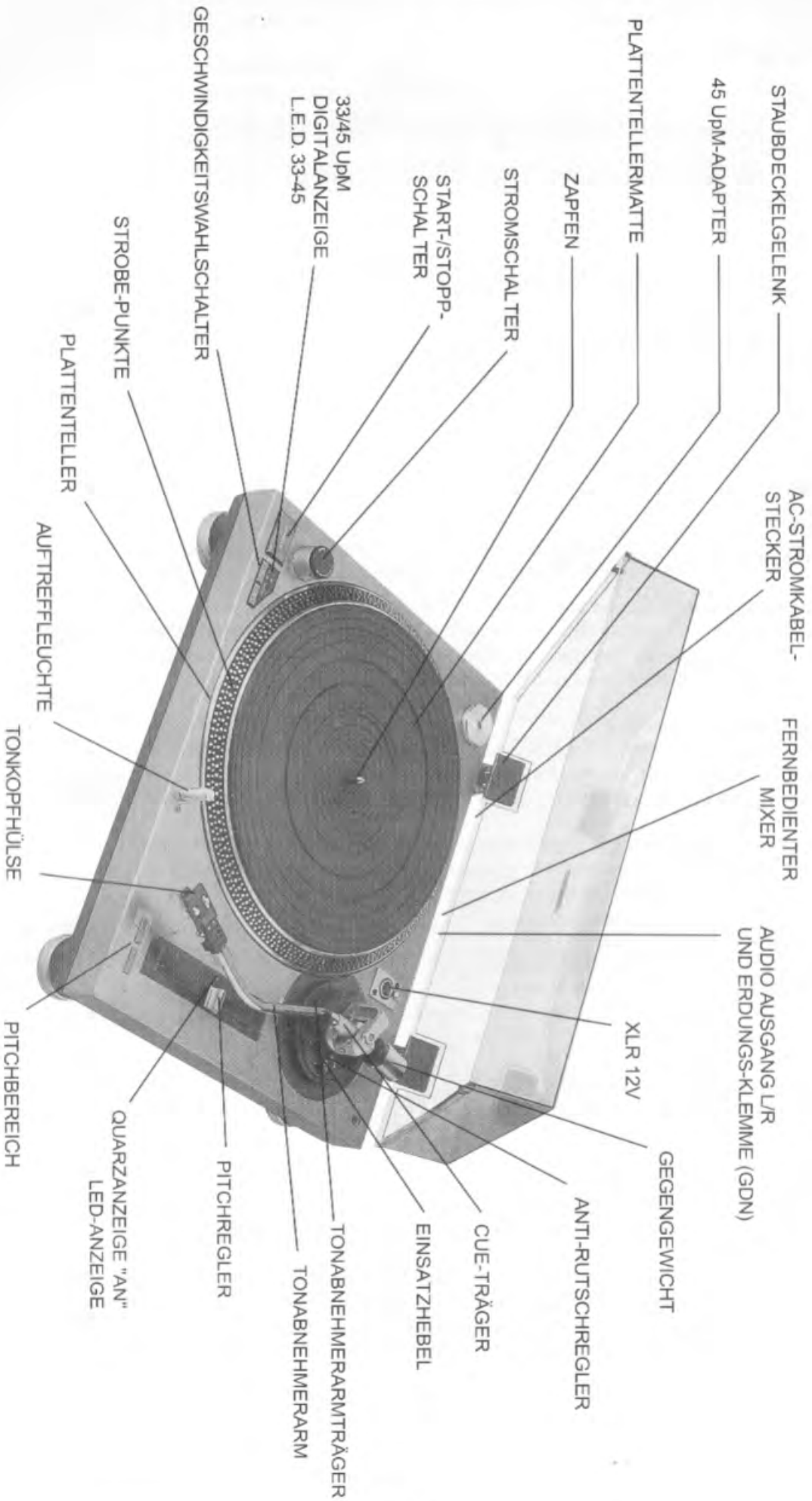
### 8. Manier les disques avec précaution

Toujours maintenir les disques propres, ne pas jouer des disques éraillés ou voilés, ceci pouvant endommager l'appareil.



Si en el futuro necesita deshacerse de este producto, tenga en cuenta lo siguiente: no debe deshacerse de los residuos de productos eléctricos como si fueran residuos domésticos. Por favor, recicle en los sitios en los que esto sea posible. Acuda a las autoridades locales o al vendedor en busca de asesoramiento sobre reciclaje. (Directiva sobre residuos eléctricos y equipos electrónicos).





## Vor der Inbetriebnahme

### **Vorsicht:**

Bevor der Zusammenbau abgeschlossen ist, niemals den Stecker des Stromkabels an die Steckdose anschließen.

Um die Montage und Einstellungen möglichst einfach ausführen zu können, wird der Staubdeckel zuletzt montiert.

### **Hinweis:**

Die Bedienungsanweisungen sind auf die meisten Geräte mit Patrone, auch auf jene anderer Farben, zutreffend.

### **\* Checkliste der Geräteteile**

Plattentellereinheit  
Plattenteller  
Plattentellermatte  
Staubdeckel  
45-U-Adapter  
Gegengewicht  
Ton system

## Zusammenbau und Aufstellung

### **\* Installation des Plattentellers**

Den Untersatz des Plattentellers auf eine gerade und waagrechte Fläche stellen. Nachdem geprüft wurde, daß das gesamte Verpackungsmaterial entfernt worden ist, wird der Plattenteller vorsichtig über den mittleren Zapfen gesetzt. Die Matte auf den Plattenteller legen.

### **\* Installation der Patrone**

Zur Installation der Patrone beachten Sie bitte die Anweisungen des Patronenherstellers. Um die Spitze der Tonabnehmernadel gegen Beschädigung zu schützen, muß während der Installation die Schutzhülse der Tonabnehmernadel aufgesetzt sein.

1. Die Drähte an die Patronenklemmen anschließen. Bei den meisten Patronen sind die Klemmen farblich markiert. Die verschiedenen Drähte an die Klemmen mit der übereinstimmenden Farbmarkierung anschließen.  
Weiß (L +)      Linker Kanal +  
Blau (L -)      Linker Kanal -  
Rot (R +)        Rechter Kanal +  
Grün (R -)      Rechter Kanal -
2. Am Kopfgehäuse eine Patrone installieren und mit den, mit der Patrone mitgelieferten Schrauben, befestigen.

### **\* Einstellen der Anti-Rutschregelung**

Den Knopf der Anti-Rutschregelung auf den Wert einstellen, welcher mit dem Wert des Tonabnehmerdrucks übereinstimmt.

### **\* Montage des Staubdeckels**

Den Staubdeckel an beiden Seiten festhalten und ihn von oben auf seinen Platz aufsetzen. Zum Entfernen des Staubdeckels darauf achten, daß er der Abbildung gemäß angehoben wird.

#### **Hinweis:**

Während der Wiedergabe sollte der Staubdeckel nicht geöffnet oder geschlossen werden. Derartige Bedienung des Deckels könnte unerwünschte Stöße erzeugen, wodurch der Tonabnehmer Spuren überspringen könnte. Müssen Sie den Deckel während der Wiedergabe unbedingt öffnen, bitte äußerst vorsichtig handeln.



- der Klammer sichern.
10. Auf die Start-/Stopp-Taste drücken  
Nachdem der Plattenteller von der elektronischen Bremse abgebremst worden ist, den Strom abschalten.

**Hinweis:**

Wird der Strom abgeschaltet, bevor auf die Start-/Stopp-Taste gedrückt worden ist, kann die elektronische Bremse nicht funktionieren.

**TONHÖHENKURVE (TASTE PITCH BEND)**

Wird auf die Taste "+" gedrückt, wird die Tonhöhe (Drehgeschwindigkeit) automatisch zunehmen und auf den normalen Wert zurückkehren, wenn der Druck von der Taste gelöst wird. Wird auf die Taste "-" gedrückt, wird die Tonhöhe abnehmen.

**\* Unterbrechung der Wiedergabe**

Den Einsatzhebel auf die obere Position "Up" schalten.  
Die Tonabnehmernadel der Patrone wird von der Schallplatte gehoben.

**\* Wiedergabe einer 45-Touren-Platte mit großem Loch in der Mitte**

Den 45-U-Adapter auf den mittleren Zapfen legen. Den Drehgeschwindigkeitsschalter auf Position 45 schieben.

**\* Beleuchtung der Tonabnehmernadel (Targetlicht)**

Dieses Gerät ist mit einer Beleuchtung der Tonabnehmernadel ausgestattet, von welcher während der Wiedergabe die Tonabnehmernadel beleuchtet wird.

Nachdem auf den Schalter der Tonabnehmerleuchte gedrückt worden ist, wird diese Leuchte in die für die Beleuchtung der Tonabnehmernadel erforderliche Position gehoben. Wird die Leuchte nicht benutzt, wird der Schalter nicht aktiviert.

**Hinweis:**

Der Schalter erfordert einen festen Druck. Ist der Druck zu leicht, wird die Leuchte nicht aktiviert, auch wenn sie sonst vollständig in Ordnung ist.

**Einstellungen**

**\*Pitch-Regelung (Feinabstimmung der Geschwindigkeit)**

Nachdem das Gerät eingeschaltet und der Pitchregler auf die mittlere Position geschoben worden ist, wird von der GRÜNEN LED-Anzeige der Betrieb der vorab einzustellenden Drehgeschwindigkeit (33-1/3 oder 45 UpM) angezeigt. Befindet sich der Pitchregler nicht in der Mitte, wird die Anzeige nicht aktiviert. Der Pitchregler hat einen variablen Einstellungsbereich von ca. 10%. Die Zahlen der Anzeige geben die annähernden Werte der variablen Pitch-Regelung an.

Beachten Sie den entsprechenden Streifen der Strobe-Kalibrierungspunkte der Strobe-Linse. Der untere Streifen zeigt eine Speisung von 60 Hz, der obere eine Speisung von 50 Hz an. Scheinen die Strobe-Punkte nach rechts zu strömen, ist die Drehgeschwindigkeit des Plattentellers geringer als die Nenngeschwindigkeit; in diesem Falle den Pitch-Regler in Richtung des "+" schieben, bis die Strobe-Punkte stillzustehen scheinen.

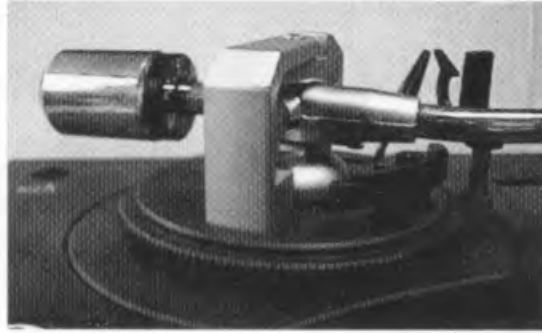
Scheinen die Strobe-Punkte nach links zu strömen, ist die Drehgeschwindigkeit des Plattentellers höher als die Nenngeschwindigkeit; in diesem Falle den Pitch-Regler in Richtung des "-" schieben, bis die Strobe-Punkte stillzustehen scheinen.

**Hinweis:**

Die Strobe-Beleuchtung dieses Gerätes bedient sich einer LED-synchronisierten Strobe-Leuchte mit präziser Quarz-Frequenz. Die Einstellung der Drehgeschwindigkeit des Plattentellers muß in Übereinstimmung mit der LED-Beleuchtung durchgeführt werden. Die LED-Leuchte ist nicht synchronisiert und mit Leuchtstofflampen ausgestattet.

## Einstellung des Gegengewichtes L3807

1. Das Gegengewicht mit leichtem Druck auf den Tonarm Schrauben. Tonarm aus der Halterung nehmen (mit System und ohne Schutzkappe). Mit dem Gegengewicht Tonarm in die Wage bringen.



2. Die Null auf der schwarzen Kunststoffscheibe mit dem roten Strich auf dem Tonarm übereinbringen (ohne das Gegengewicht zu verändern). Somit ist die Anzeige in Gramm auf Null kalibriert.



3. Gewünschtes Gewicht einstellen (Standard einstellung 1,5 - 2g)



## Anti-Scating Einstellung L3807

Das Anti-Scating wird auf den gleichen Wert eingestellt, der bei der Einstellung des Gegengewichtes gewählt wurde.

## Pflege und Wartung

Um eine mögliche Beschädigung des Magnets zu vermeiden, ist mit dem Platteneller äußerst vorsichtig umzugehen.

ist der Platteneller nicht angeschlossen, darf der Strom nicht eingeschaltet werden

Bevor der Kopfschutz entfernt oder angebracht wird, ist darauf zu achten, daß der Strom des Verstärkers oder Empfängers abgeschaltet ist.

Wird der Kopfschutz bei hoch eingestellter Lautstärke entfernt oder angebracht, können die Lautsprecher beschädigt werden.

Überzeugen Sie sich, daß der Tonabnehmerarm nach Beenden der Wiedergabe mit Hilfe der Tonabnehmerarmklammer gesichert wird.

Soll das Gerät längere Zeit über nicht benutzt werden, muß die Tonabnehmernadel nach dem Beenden der Wiedergabe durch Sicherung des Tonabnehmerarm geschützt werden.

Aus dem gleichen Grunde sollte auch der Tonabnehmerarm geschützt werden.

Schallplatten und Tonabnehmernadel müssen immer sorgfältig von Staub und Schutz befreit werden.

Staub und Schutz auf Schallplatten oder Tonabnehmernadel können nicht nur die Tonqualität beeinflussen, sondern auch frühzeitige Abnutzung der Schallplatte und der Tonabnehmernadel verursachen.

Im Fachhandel sind spezielle Bürsten für den Tonabnehmer und Reinigungsmittel für Schallplatten erhältlich.

Regelmäßig die Kontaktklammern des Tonabnehmerkopfs reinigen  
Befinden sich auf den Kontaktklammern des Tonabnehmerkopfs Staub und Schutz kann ein störendes "Summen" entstehen oder die Tonqualität nachlassen. Zum Reinigen der Kontaktklammern des Tonabnehmerkopfs ein weiches, trockenes Tuch verwenden

Den Staubdeckel und Untersatz des Plattenellers mit einem weichen, trockenen Tuch abwischen.

Niemals Reinigungsmittel verwenden, welche Alkohol, Benzin oder Verdünnner enthalten. Auch chemische Staubtücher sollten gemieden werden. Achten Sie darauf, daß der Staubdeckel nicht mit Insektenspray besprüht wird. Zur Entfernung hartnäckiger Fingerabdrücke oder fettigen Flecken, den Staubdeckel abnehmen und das Stromkabel aus der Steckdose ziehen.

Mit einem weichen, mit leichter Seitenläuge befeuchteten Tuch abwischen  
Den Staubdeckel niemals während der Wiedergabe abwischen. Durch das Wischen erzeugte statische Elektrizität könnte den Tonabnehmerarm gegen den Staubdeckel ziehen

Transport des Gerätes (bei Umzug usw.)

Das Gerät nach der im Bezug auf das Auspacken gegebenen Beschreibung, dann aber in umgekehrter Reihenfolge, und mit dem ursprünglichen Verpackungsmaterial einpacken. Sollte dieses Verpackungsmaterial nicht mehr zur Verfügung stehen, beachten Sie bitte  
Den Platteneller - zusammen mit der Plattenellermatte - entfernen und ordentlich schützend einpacken.  
Den Tonabnehmerarm auf seiner Stütze mit der Klammer und etwas Klebestreifen ordentlich sichern.  
Das Gegengewicht und den Tonabnehmerkopf/die Patrone vom Tonabnehmerarm entfernen und ordentlich schützend einpacken.

Den Untersatz des Plattenellers in ein Tuch oder weiches Packpapier einpacken so daß er nicht beschädigt werden kann

## Für den langjährigen und sicheren Einsatz des Gerätes

Um die gute Leistung dieses Gerätes vollständig nutzen und das Gerät auf sichere Weise bedienen zu können ist die nachstehende Information sorgfältig zu lesen.



#### **\* Speisung**

Wird dieses Gerät an eine Spannung angeschlossen, welche nicht dem angegebenen Wert entspricht, entsteht große Gefahr.

Wird dieses Gerät an eine Spannung angeschlossen, welche nicht dem angegebenen Wert entspricht, entsteht Explosionsgefahr.

Dieser Punkt muß streng beachtet werden.

Niemals einfach an Gleichstrom anschließen.

An bestimmten Orten - z.B. auf Schiffen - gibt es ausschließlich Gleichstrom. Bevor Sie das Gerät anschließen, ist die diesbezügliche Stromquelle zu prüfen.

#### **\* Anschluss des Stromkabels**

Wegen der Elektroschockgefahr, welche bei allen elektrischen Geräten besteht, das Stromkabel niemals mit nassen Händen anfassen.

#### **Niemals am Stromkabel ziehen.**

Den Stecker niemals am Stromkabel aus der Steckdose ziehen, sondern immer am Stecker.

#### **\* Aufstellen des Gerätes**

Suchen Sie eine Stelle, welche nicht direkten Sonnenstrahlen ausgesetzt ist.

Suchen Sie außerdem eine Stelle, an welcher eine gute Belüftung möglich ist.

#### **\* Niemals in unmittelbarer Nähe von Heizkörpern aufstellen.**

Achten Sie darauf, daß das Gerät nicht in unmittelbarer Nähe von Heizkörpern steht. Die durch solche Heizkörper ausgestrahlte Wärme könnte ein Verziehen der Plastikteile, Beschädigung des Gehäuses, oder - im schlimmsten Falle - Brand verursachen.

#### **\* Besondere Vorsicht mit Kindern**

Achten Sie darauf, daß in das Gerät keine kleinen (Metall-) Gegenstände gesteckt werden. Kinder sollten außerdem davor gewarnt werden, Gegenstände in die Lüftungsschlitze zu stecken, z.B. kleines Spielzeug oder Schraubenzieher, da durch diese Elektroschockgefahr entsteht und das Gerät beschädigt werden könnte.

#### **\* Über das Gerät verschüttete Flüssigkeiten**

Sollte über dem Gerät Flüssigkeit verschüttet werden - z.B. aus einem umgesturzten Glas - entsteht Elektroschock und Feuergefahr. In diesem Falle muß der Stecker sofort aus der Steckdose gezogen und das Gerät zur Prüfung und eventuellen Reparatur Ihrem Händler übergeben werden.

#### **\* Umbau kann Unfälle verursachen**

Niemals und in keinem Falle versuchen, das Gerät umzubauen oder selbst zu reparieren. Niemals Geräteteile im Inneren des Gerätes berühren; dies könnte zu Elektroschock oder anderen Unfällen führen.

#### **\* Abschalten des Stroms**

Nach dem Einsatz des Gerätes ist darauf zu achten, daß der Strom tatsächlich abgeschaltet worden ist. Läßt man das Gerät längere Zeit unbenutzt eingeschaltet, könnte es nicht nur beschädigt - und somit seine Lebensdauer beeinträchtigt - werden, sondern können auch gefährliche Situationen entstehen.

## NÜTZLICHE HINWEISE

HOHE TEMPERATUREN SIND ZU MEIDEN

STAUB UND FEUCHTIGKEIT SIND ZU MEIDEN

NÄHE EINES FERNSEHERS ODER MAGNETISCHER GEGENSTÄNDE IST ZU MEIDEN

WACKELIGE STELLEN SIND ZU MEIDEN

KEINERLEI CHEMIKALIEN VERWENDEN

BEI FEHLERN, SICH SOFORT AN DEN FACHHÄNDLER WENDEN

NIEMALS DAS GEHÄUSE ÖFFNEN

DAS STROMKABEL MIT VORSICHT BEHANDELN

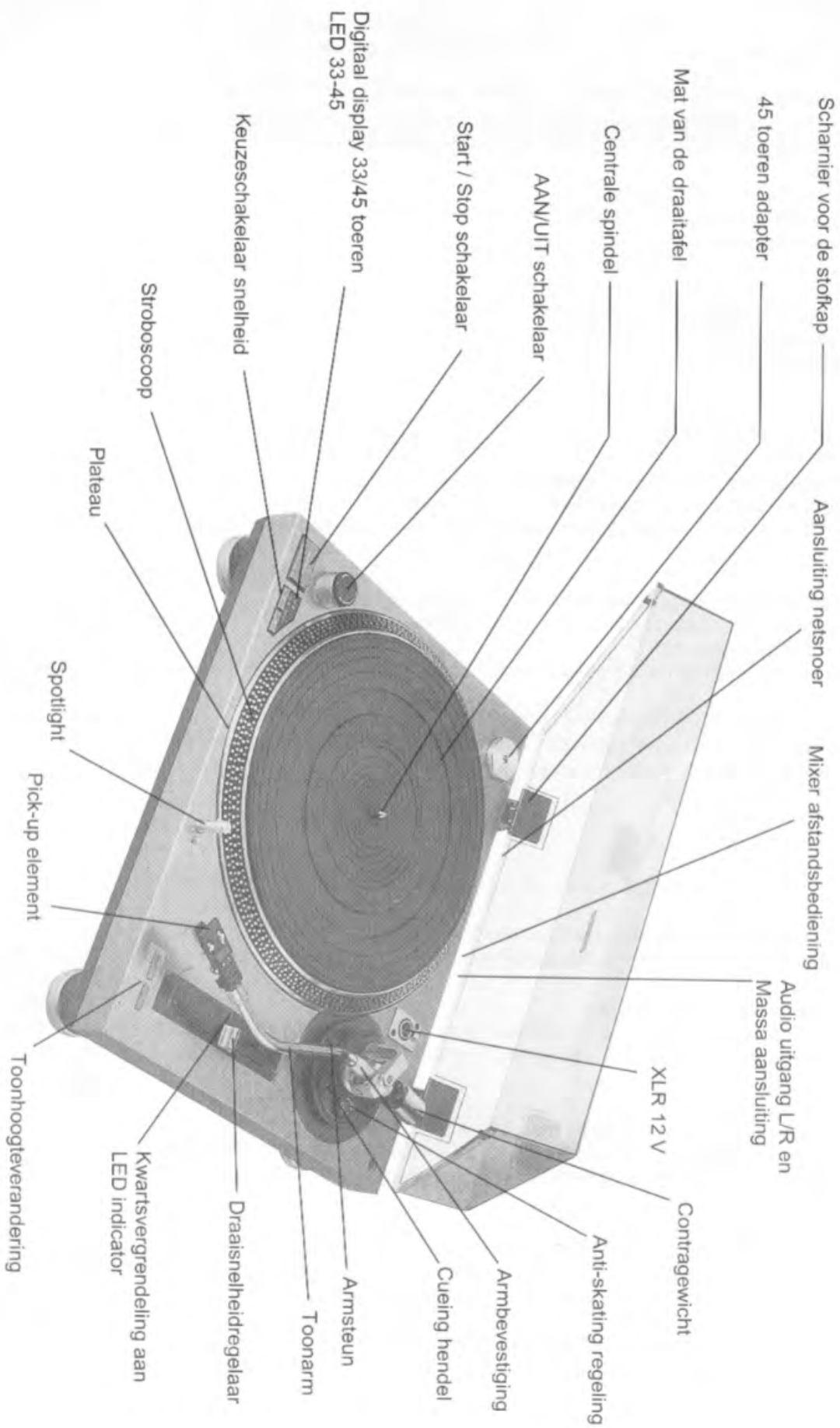
### FÜR EINEN SICHEREN UND WIRKSAMEN BETRIEB

1. **Hitze und extreme Temperaturen sind zu meiden.**  
Setzen Sie das Gerät nicht direkten Sonnenstrahlen oder Heizkörpern aus. Das Gerät nicht bei Temperaturen unter 41°F/5°C oder über 95°F/35°C einsetzen.
2. **Gegen Feuchtigkeit, Wasser und Staub schützen**  
Das Gerät nicht in besonders feuchten oder staubigen Räumen aufstellen. Niemals Flüssigkeitsbehälter (Blumenvasen, Gläser usw.) auf das Gerät stellen.
3. **Nicht in Nähe von Störquellen aufstellen**  
Also nicht in Nähe von Transformatoren, Motoren, Tunern, Fernsehern oder Verstärkern aufstellen.
4. **Wacklige Untersätze meiden**  
Zur Vermeidung von Erschütterungen immer einen flachen und festen Untersatz wählen
5. **Niemals mit Chemikalien oder flüchtigen Stoffen reinigen**  
Staub immer nur mit einem trockenen, weichen Tuch abwischen. Für hartnäckige Flecke ein feuchtes, weiches Tuch verwenden.
6. **Bei Störungen, wenden Sie sich sofort an Ihren Fachhandel**  
Bei allen Störungen, sofort den Stecker aus der Steckdose ziehen und einen Fachmann hinzuziehen. Niemals selbst das Gehäuse des Gerätes öffnen, dies könnte sehr gefährlich sein.
- 6-1. **Das Stromkabel mit Vorsicht behandeln**  
Den Stecker niemals am Stromkabel aus der Steckdose ziehen, sondern immer am Stecker. Soll das Gerät längere Zeit über nicht benutzt werden, den Stecker aus der Steckdose ziehen
7. **Platten immer sorgfältig behandeln**  
Platten müssen immer sauber sein; niemals verzogene oder gesprungene Platten verwenden  
- sie könnten das Gerät beschädigen.



Sollten Sie irgendwann zu späterer Zeit dieses Produkt entsorgen wollen, beachten Sie bitte Folgendes: Elektroschrott sollte nicht mit dem Haushaltsmüll entsorgt werden. Bitte recyceln Sie ihn, sofern Ihnen entsprechende Möglichkeiten zur Verfügung stehen. Setzen Sie sich mit Ihren kommunalen Behörden oder Ihrem Einzelhändler in Verbindung und fragen Sie diese um Rat bezüglich der Wiederverwertung.  
(Elektro- und Elektronik-Altgeräte-Richtlinie (WEEE))

# DUTCH



## Voor gebruik

### Voorzichtig:

Steek nooit het netsnoer in het stopcontact voordat alle aansluitingen zijn gemaakt.  
Plaats de stofkap als laatste zodat de instellingen zo gemakkelijk mogelijk kunnen worden gemaakt.

### Opmerking:

De in de gebruiksaanwijzing gegeven instructies zijn algemeen geldig, zowel voor apparaten met naaldelementen en voor apparaten met afwijkende kleur.

### Controlelijst onderdelen:

Draaitafel eenheid	1
Draaitafelplateau	1
Draaitafel mat	1
Stofkap	1
45 toeren adapter	1
Contragewicht	1
Pick-up element	1

## Montage en installatie

### Installatie van het draaitafelplateau

Plaats de sokkel van de grammofoon op een vlak en horizontaal oppervlak. Nadat u zich ervan heeft verzekerd dat alle verpakkingsmaterialen zijn verwijderd, kunt u het draaitafelplateau op de spindel plaatsen. Leg de mat vervolgens op het plateau.

### Installatie van het pick-up element

Wanneer u een pick-up element installeert, refereer dan aan de montage-instructies van het betreffende element.

Plaats tijdens de installatie de naaldbeschermers om de naald tegen beschadiging te beschermen

1. Maak de aansluitdraden vast aan de aansluitpunten van het element.  
De aansluitingen van de meeste elementen hebben een kleurcode.  
Sluit elke draad aan op de aansluiting met dezelfde kleur.

Wit (L +)	Linker kanaal +
Blauw (L -)	Linker kanaal -
Rood (R +)	Rechter kanaal +
Groen (R -)	Rechter kanaal -

2. Plaats het element in de leeskop en bevestig het met de bij het element geleverde schroeven.

### • Instelling van de anti-skating regeling

Zet de regelknop voor de anti-skating regeling op dezelfde waarde als de naalddruk.

### • Plaatsing van de stofkap

Plaats de stofkap met een verticale beweging, waarbij u de kap aan beide zijden vasthoudt.  
Wanneer u de stofkap wilt afnemen, klap hem dan eerst omhoog zoals afgebeeld voordat u hem wegneemt.

### • Opmerking:

Het wordt aanbevolen de stofkap niet te openen of te sluiten tijdens het spelen van een grammofoonplaat. Dit kan niet alleen leiden tot ongewenste trillingen maar ook tot het springen van de naald. Wanneer u toch de stofkap tijdens spelen moet openen, doe dat dan zo voorzichtig mogelijk.

- De voetjes / isolatieblokjes hebben ook als functie het instellen van de hoogte van de grammofoonplaat zelf. Nadat het apparaat op de gebruiksplaats is gezet, dient u de voetjes af te stellen zodat het apparaat stabiel horizontaal staat.

### • Hoog draaimoment voor een snelle start

De geïntegreerde plateau motor heeft een startkoppel van 0.5 kg cm (0.4 lb in) Dit hoge startkoppel

zorgt voor een snelle start van de draaibeweging van het plateau zodat het plateau de snelheid van 33-1/3 omwentelingen/s in 0,5s (een kwart omwenteling) bereikt. Dit is een groot voordeel bij veel professionele toepassingen waar een snelle start een noodzaak is.

### Opstelling

- Zet het apparaat op een stabiele en horizontale plaats waar er weinig of geen trillingen zijn.
- Zet het apparaat zo ver weg als mogelijk van luidsprekerboxen en isoleer het tegen de geluidsgolven ervan.
- Zet het apparaat niet op een plaats die is blootgesteld aan direct zonlicht, stof, vocht of hitte.
- Zorg dat de opstelplaats goed geventileerd is.
- Wanneer er een radio te dicht bij de grammofoon wordt geplaatst en deze speelt terwijl de draaitafel in werking is, kunnen interferentiestoringen bij de ontvangst van AM- en FM-zenders optreden.

### Aansluitingen

- **Sluit het netsnoer aan**

Steek de stekker van het netsnoer in een stopcontact van het lichtnet.

De keuzeschakelaar voor de netspanning bevindt zich onder het draaiplateau.

- **Verbind de uitgangsaansluitingen**

Uitgangsaansluitingen	Versterker of ontvanger
L (Wit)	Linker kanaal
R (Rood)	Rechter kanaal
GND (Mescontact)	Massa

**Opmerking:**

Let op dat u een stevige verbinding aanbrengt tussen de massa-aansluiting en de versterker of ontvanger. Wanneer deze verbinding niet behoorlijk wordt gemaakt, zal een netspanningsbrom te horen zijn.

### Bediening

1. Leg een grammofoonplaat op de mat van de draaitafel.
2. Zet de AAN/UIT schakelaar in de stand "ON".  
De snelheidsaanduiding en de stroboscoop worden verlicht.
3. Verwijder de naaldbeschermer, wanneer het element met een afneembare beschermer is uitgerust.
4. Maak de armvergrendeling los.
5. Druk op de Start/Stop schakelaar.  
De draaitafel begint nu te draaien.
6. Zet de cueing hendel in de stand omhoog.
7. Plaats de toonarm boven de gewenste groef.
8. Breng de cueing hendel naar beneden.  
De toonarm daalt langzaam op de plaat en de weergave begint.
9. Wanneer het afspelen van de plaat is beëindigd, plaats dan de toonarm op de toonarmsteun en vergrendel de toonarm met de toonarm-vergrendeling.
10. Druk op de Start/Stop schakelaar.  
Schakel het apparaat uit, zodra het plateau met behulp van de elektronische rem tot stilstand is gekomen.

**Opmerking:**

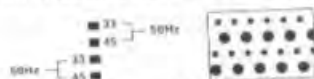
De elektronische rem functioneert niet wanneer het apparaat wordt uitgeschakeld voordat op de Start/Stop knop is gedrukt.



- **Het afspelen van een 45 toeren plaat met een groot middengat**  
Zet de 45 toeren adapter op de centrale spindel. Stel de schakelaar voor de snelheidskeuze in de stand 45 toeren.
- **Verlichting van de naald (spotlight)**  
Dit apparaat is uitgerust met een verlichting van de naaldpunt voor verlichting van de naald tijdens de weergave.  
Door op de schakelaar voor de naaldpuntverlichting te drukken, komt de naaldpuntverlichting omhoog om de punt van de naald te kunnen verlichten. Wanneer deze verlichting niet wordt gebruikt, dient hij omlaag te worden gebracht door op de knop te drukken.  
**Opmerking:**  
De schakelaar moet stevig worden ingedrukt.  
Wanneer de schakelaar niet goed wordt ingedrukt zal de verlichtingsunit niet omhoog komen, ook al brandt de lamp.

### Instellingen

- **Toerentalregeling (fijnregeling van de snelheid)**  
Wanneer de knop voor de regeling van het toerental zich in de middenstand bevindt als de spanning wordt ingeschakeld, toont de GROENE LED de bedrijfstoestand voor de vooraf ingestelde snelheid (hetzij 33-1/3 of 45 tpm). Wanneer de knop voor de regeling van het toerental zich niet in de middenstand bevindt, zal de indicator niet branden. De regeling van het toerental kan worden ingesteld over een gebied van ongeveer 10%. Cijfers op de indicator geven benaderde waarden voor de toerentalregeling.  
Kijk naar de van toepassing zijnde rij van stroboscopische punten door de stroboscooplenzen. De onderste rij is voor een netfrequentie van 60 Hz; de bovenste voor 50 Hz.  
Wanneer de stroboscopische punten naar rechts schijnen te bewegen, betekent dat dat de draaitafel met een lagere dan de nominale snelheid draait; draai de knop voor de toonhoogteregeling in de "+" richting totdat de stroboscopische punten schijnen stil te staan.  
Wanneer de stroboscopische punten naar links schijnen te bewegen, betekent dat dat de draaitafel met een hogere dan de nominale snelheid draait; draai de knop voor de toonhoogteregeling in de "-" richting totdat de stroboscopische punten schijnen stil te staan.  
**Opmerking:**  
De stroboscopische verlichting van dit apparaat maakt gebruik van een LED verlichting die met een nauwkeurige kwarts-frequentie is gesynchroniseerd.  
Maak voor de regeling van de draaisnelheid van het plateau gebruik van de LED verlichting. De LED verlichting is niet synchroon met fluorescentielampen.



### Afstellen van de horizontale nulbalans (0) en de naalddruk

Als uw draaitafelelement over een afneembare naaldbescherming beschikt, moet u deze verwijderen. Pas op dat u de punt van de naald niet aanraakt.

Maak de armklem los en til de toonarm op van de armsteun.

Draai het contragewicht rechtsonder of linksom tot de toonarm horizontaal in balans is en vrij zweeft. Zorg er tijdens het afstellen van de horizontale nulbalans (0) voor dat de punt van de naald niet in aanraking komt met de draaitafelmat of de basis van de draaitafel.

Nadat de toonarm tijdelijk horizontaal in nulbalans (0) is gebracht, moet u de toonarm op de armsteun leggen en vergrendelen met de armklem.

Houd, terwijl u de naalddruk draait, het contragewicht vast met één hand, tot de "0" op de ring in één lijn staat met de middelste lijn op de achteras van de toonarm. U bent nu klaar met het afstellen van de horizontale nulbalans (0).

Draai, na het instellen van de horizontale nulbalans (0), het gebalanceerde contragewicht linksom om de juiste naalddruk te krijgen die wordt aanbevolen door de fabrikant van het draaitafelelement wanneer het de middellijn op de achteras van de toonarm bereikt.

Let op : de naaldkracht van de L 3807 is 3 gr. ( 2,5 ~ 3,5 gr. )



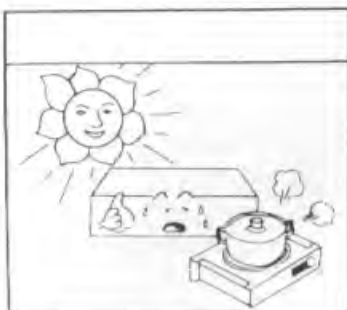
## Opmerkingen en onderhoud

- **Wees heel voorzichtig wanneer u het plateau hanteert en het op de centrale motorspindel plaatst om mogelijke beschadiging van de magneet te voorkomen.**
- **Zet het apparaat niet aan wanneer het plateau niet op zijn plaats is gebracht.**
- **Voordat de pick-up kop wordt losgenomen of geplaatst, dient u er voor te zorgen dat de voedingsspanning van de versterker of de ontvanger is uitgeschakeld.**  
Wanneer de pick-up kop wordt losgenomen of geplaatst terwijl de volumeregelaar omhoog is gedraaid, kunnen de luidsprekers worden beschadigd.
- **Zet de toonarm vast met de toonarmvergrendeling, zodra de weergave is beëindigd**  
Wanneer, nadat een plaat is gespeeld, het apparaat gedurende zekere tijd niet meer zal worden gebruikt, wordt aanbevolen de toonarm te vergrendelen om de naaldpunt te beschermen. Om dezelfde reden verdient het aanbeveling de beschermkap van de naald op zijn plaats te brengen.
- **Stof en vuil dienen zorgvuldig van de naald en van de platen te worden verwijderd.**  
Stof en vuil dat zich heeft vastgezet op de naaldpunt of in de groeven van de plaat is niet alleen verantwoordelijk voor een vermindering van de geluidskwaliteit, maar kan ook zorgen voor onnodige slijtage van de plaat en van de naaldpunt zelf.  
Speciale borsteltjes voor het reinigen van de naaldpunt en reinigers voor grammofoonplaten kunnen bij de meeste elektronica-speciaalzaken worden verkregen.
- **Maak de contacten van de pick-up kop van tijd tot tijd schoon.**  
Stof of vuil dat zich heeft vastgezet op de contacten van de pick-up kop kan leiden tot toename van de "brom" of tot onderbrekingen in de weergave. Maak gebruik van een zachte en droge doek om de contacten schoon te maken.
- **Veeg de stofkap en de sokkel van het apparaat schoon met een zachte en droge doek. Gebruik nooit schoonmaakmiddelen die alcohol, benzine of thinner bevatten.**  
Het gebruik van een chemische stofdoek dient ook te worden vermeden. Let op dat de stofkap niet in aanraking komt met een insectendodende spray.  
Om hardnekkige vingerafdrukken of vetvlekken te vermijden, dient u de stofkap te verwijderen en de stekker uit het stopcontact te nemen.  
Maak gebruik van een zachte doek die licht is bevochtigd met een oplossing van zachte zeep in water.  
Verwijder geen stof van de stofkap tijdens de weergave van een plaat, daardoor zou de toonarm naar de kap toe kunnen worden getrokken ten gevolge van de opwekking van een statische lading.
- **Transport van het apparaat naar een andere plaats, bijvoorbeeld tijdens een verhuizing.**  
Verpak het apparaat in de omgekeerde volgorde van het uitpakken met gebruikmaking van het verpakkingsmateriaal waarin het apparaat werd geleverd bij de aankoop. Wanneer dit materiaal niet meer ter beschikking is, ga dan als volgt te werk:
  - Til het draaitafelplateau samen met de mat op en wikkel het geheel in zacht papier om mogelijke beschadiging ervan te voorkomen.
  - Plaats de toonarm op de toonarmsteun en bevestig de arm met plakband of iets dergelijks.
  - Neem het contragewicht en de toonkop/elementhouder van de arm en wikkel deze in zacht papier teneinde beschadiging ervan te voorkomen.
  - Verpak ook de sokkel in een deken of zacht papier teneinde beschadiging ervan te voorkomen.

## Voor een lang en veilig gebruik van dit apparaat

Teneinde de beste prestaties van dit product te verkrijgen en om er zo veilig mogelijk mee om te gaan gelieve u de volgende informatie door te lezen:

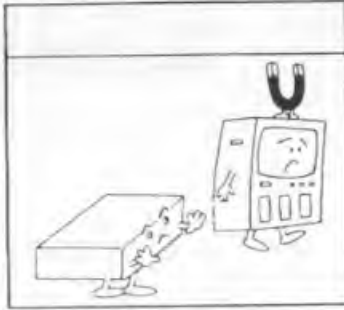
- **Voedingsbron**  
**Het is erg gevaarlijk om dit apparaat te gebruiken bij een voedingsspanning die van de nominale voedingsspanning verschilt.**  
Er bestaat brandgevaar wanneer het apparaat wordt aangesloten op een voedingsspanning die van de nominale voedingsspanning verschilt.  
Wees voor wat dit betreft zeer voorzichtig.  
Er kan geen gebruik worden gemaakt van gelijkspanning.  
Er zijn plaatsen, bij voorbeeld op een schip, waar van gelijkspanning als spanningsbron gebruik wordt gemaakt. Verzekert u van de juiste voedingsspanning voordat u het apparaat aansluit.
- **Aansluiting van het netsnoer**  
**Let op dat u het netsnoer nooit met natte handen aanraakt**, omdat u hierdoor een elektrische schok kunt krijgen; dit geldt natuurlijk voor alle elektrische apparaten.  
**Trek niet aan het netsnoer.**  
Trek nooit aan het netsnoer om de stekker uit het stopcontact te nemen. Pak alleen de stekker zelf beet en trek daaraan.
- **Plaatsing van het apparaat**  
Kies een plaats die niet wordt beschenen door direct zonlicht.  
Kies een plaats die een goede ventilatie verzekert.
- **Plaats nooit een verwarmingsapparaat in de buurt**  
Houd radiatoren of andere verwarmingsapparatuur uit de buurt van dit apparaat want de vrijkomende warmte kan leiden tot vervorming van de kunststof onderdelen, de kast beschadigen of, wat nog erger is, aanleiding geven tot brand.
- **Speciaal voor families met kinderen**  
Let op dat geen kleine dingen, zoals metalen voorwerpen, binnenin dit apparaat terechtkomen. Bovendien moeten kinderen er in het bijzonder voor worden gewaarschuwd niets in de ventilatiegaten te steken, zoals speelgoed of een schroevendraaier, want deze voorwerpen kunnen leiden tot een elektrische schok of tot een slechte werking van het apparaat.
- **Wanneer er water op het apparaat terechtkomt**  
Wanneer er water op het apparaat terechtkomt, bijvoorbeeld door het omgooien van een glas, is er brandgevaar of gevaar voor een elektrische schok. Neem onmiddellijk de stekker uit het en neem contact op met de winkel waar het apparaat werd gekocht.
- **Wijzigingen kunnen tot ongelukken leiden.**  
Probeer absoluut nooit zelf dit apparaat te wijzigen, om te bouwen of te repareren. Tracht ook nooit enig intern onderdeel aan te raken; wanneer u dit toch doet kan een elektrische schok of een ander ongeluk het gevolg zijn.
- **Let op dat het de netspanning is uitgeschakeld**  
Controleer, nadat u het apparaat heeft gebruikt, nog een keer dat de netspanning is uitgeschakeld. Wanneer het apparaat lang met ingeschakelde netspanning blijft staan, kan het niet alleen worden beschadigd, waardoor zijn bruikbare levensduur wordt verkort, maar kan dit ook aanleiding geven tot een ernstig ongeluk.



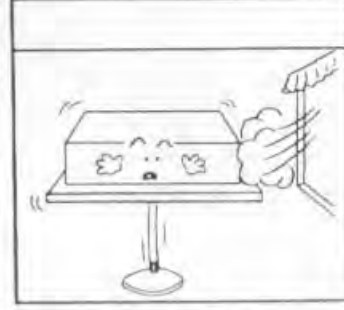
Pas op met hoge temperaturen



Vermijd stof en vocht



Houd uit de buurt van televisie en magneten



Vermijd plaatsing op een niet stabiele plek



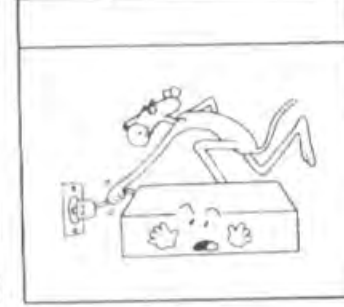
Gebruik geen chemische producten



Wanneer het apparaat niet goed meer werkt, neem dan contact op met de verkoper



Open de kast niet



Ga voorzichtig om met het netsnoer

#### VOOR EEN VEILIGE EN EFFECTIEVE BEDIENING

##### 1. Pas op voor hitte en extreme temperaturen

Vermijd blootstelling van het apparaat aan direct zonlicht of de nabijheid van een warmtebron. Plaats het niet op een plek met een temperatuur lager dan 41°F/5°C of hoger dan 95°F/35°C.

##### 2. Stel het apparaat niet bloot aan vocht, water of stof

Plaats het apparaat niet op een erg vochtige of stoffige plek. Vloeistof bevattende voorwerpen dien niet op het apparaat te worden geplaatst.

##### 3. Houd het apparaat uit de buurt van bronnen van brom en ruis

zoals transformatoren, motoren, tuners, televisie-apparaten en versterkers.

##### 4. Vermijd de plaatsing van het apparaat op een niet stabiele plek

Kies een horizontale en stabiele plaats om trillingen te vermijden.

##### 5. Gebruik geen chemische of vluchtige producten om het apparaat schoon te maken

Gebruik een schone, droge doek om het stof af te vegen, of een licht vochtige doek om hardnekkige vlekken te verwijderen.

##### 6. Wanneer het apparaat niet meer werkt, neem dan onmiddellijk contact op met de verkoper

Wanneer er problemen zijn ontstaan, neem dan dadelijk de stekker uit het stopcontact en neem contact op met een bevoegde reparateur om het te repareren, open het apparaat niet zelf, want er bestaat het risico van een elektrische schok.

##### 7. Wees voorzichtig met het netsnoer

Trek nooit aan het netsnoer om de stekker uit het stopcontact te nemen. Pak alleen de stekker zelf beet en trek daaraan. Wanneer het apparaat gedurende een zekere tijd niet wordt gebruikt, neem dan de stekker uit het stopcontact.

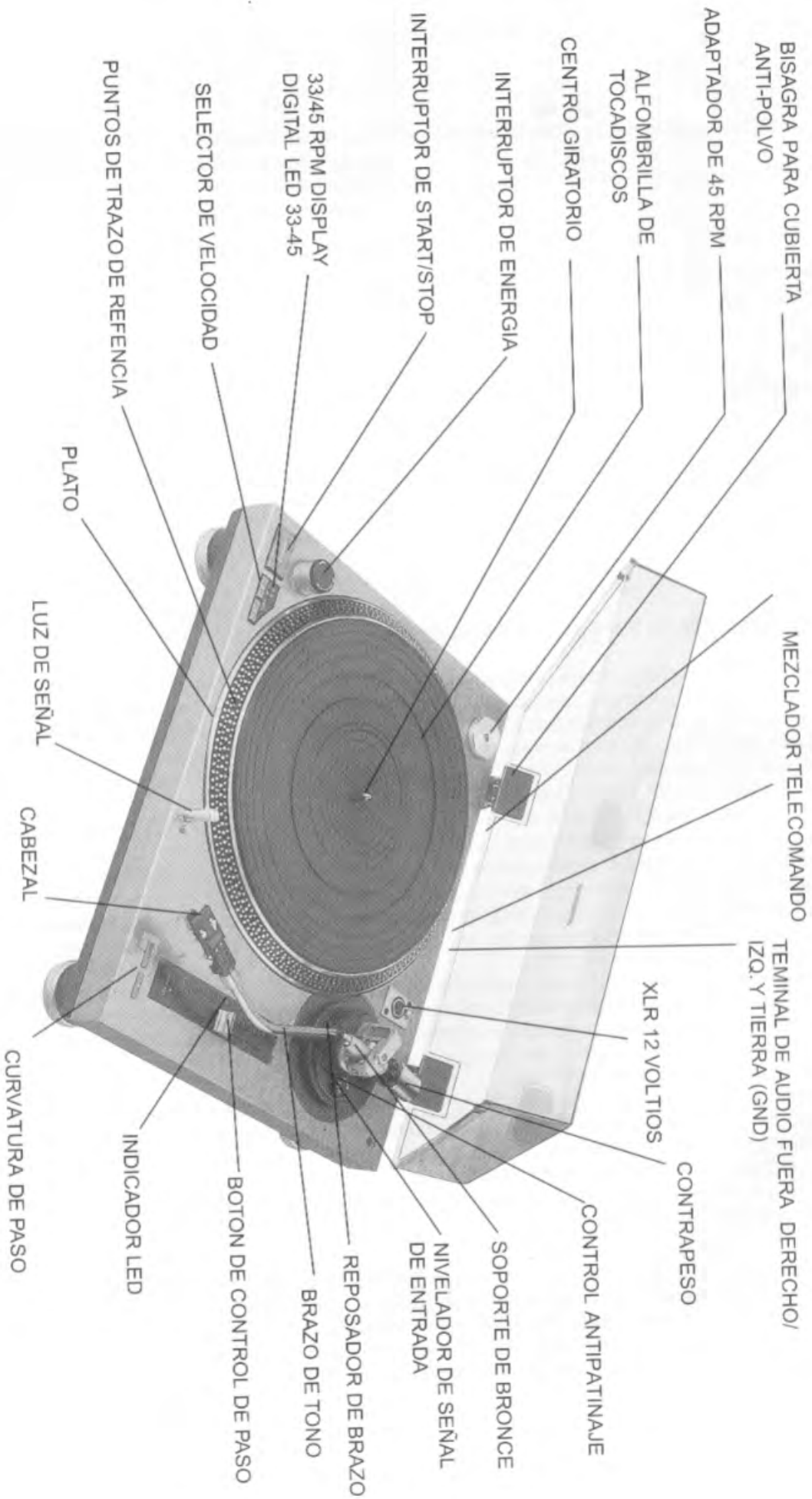
##### 8. Ga voorzichtig om met de grammofoonplaten

Houd de grammofoonplaten altijd schoon, en speel geen gebarsten of krom getrokken platen. Dit zal de grammofoon beschadigen.



Indien u zich in de toekomst van dit toestel wenst te ontdoen, let er dan op dat elektrisch afvalmateriaal niet met het huishoudelijk afval mag worden verwijderd. Breng het toestel naar een kringloopwinkel of anderevoorziening voor recycling. Neem contact op met uw plaatselijke autoriteit of winkelier indien u meer informatie wenst over recycling. (Richtlijn voor Afval van Elektrische en Elektronische Apparaten, AEEA).

# SPANISH



## ANTES DE USAR

### PRECAUCION

Nunca conecte el enchufe de energía AC antes que el montaje se haya completado. Coloque la tapa protectora de polvo al final para que el montaje y los ajustes se hagan de la manera más conveniente.

### NOTA:

Las instrucciones de operación son comúnmente aplicables a unidades con cartucho y también para aquellos que tienen diferentes colores.

- Lista de partes:

Unidad de Tocabdiscos.....	1
Plato de Tocabdiscos.....	1
Alfombra de Tocabdiscos.....	1
Cubierta para el polvo.....	1
Adaptador de 45 rpm.....	1
Balance de Peso.....	1
Cubierta del cabezal.....	1

## MONTAJE Y PUESTA EN MARCHA

- Instalación de la platina del tornadiscos

Fije la base del tocadiscos en una superficie de nivel liso- Después de revisar, asegúrese que todos los materiales en el embalaje han sido quitados, cuidadosamente coloque el plato sobre el centro del pivote. Ponga la alfombrilla en el plato.

- Instalación del cartucho

Cuando instale un cartucho refiérase a las instrucciones de operación del mismo. Durante la instalación, adjunte el protector de aguja para guardar la punta de la aguja de cualquier daño.

1. Conecte los cables conductores a los terminales del cartucho. Los terminales de casi todos los cartuchos están codificados de color.  
Conecte cable rojo al terminal del mismo color.  
Blanco (L+)..... Canal izquierdo+  
Azul (L-)..... Canal izquierdo -  
Rojo (R+)..... Canal derecho+  
Verde (R-)..... Canal derecho-

2. Instale un cartucho al cabezal y asegúrelo con los tornillos provisto con el cartucho.

- Ajuste del control anti-patinaje

Fije el botón de control anti-patinaje al mismo valor como la presión de la aguja.

- Instalación de la cubierta anti-polvo

Coloque la cubierta anti-polvo en posición directamente desde encima cogiendola por ambos lados- Para desarmar la cubierta anti-polvo asegúrese primero de alzarla como se ilustra antes de quitarla.

### NOTA:

Debe evitarse abrir ó cerrar la cubierta anti-polvo durante la reproducción. Esto no sólo causaría vibraciones indeseadas pero también podría resultar en que la aguja salte. Si Vd. debe abrir la cubierta durante la reproducción, hágalo tan suavemente como sea posible.

- Las patas/aislantes también tienen funciones para ajustar la altura de la unidad de tocadiscos por si misma. Después de instalar la unidad en el lugar para su uso, ajuste las patas para estabilizar el cuerpo principal horizontalmente.



- Alto momento dinámico de torsión para comienzos rápidos

El motor de rotor integral/plato entrega 0.5 Kg cm (0.4 lb in) de torsión de arranque. Esta alta torsión dá arranques muy rápidos permitiendo al plato alcanzar 33-1/3 rpm en 1.5 s. (un cuarto de vuelta). Esto es una gran ventaja en muchas aplicaciones profesionales donde intercalación rápida es una necesidad.

#### Ubicación

- Coloque la unidad en una posición estable y horizontal donde haya poca ó ninguna vibración.
- Ponga la unidad tan lejos como sea posible de parlantes y aisle la unidad de radiaciones de sonido de éstos.
- No coloque la unidad donde esté expuesta a luz solar directa, polvo, humedad ó calor.
- Guárdela en un lugar bien ventilado.
- Cuando una radio se coloca muy cerca al toca discos y se reproduce mientras el tocadiscos está operando, puede resultar en interferencia en la recepción de AM/FM.

#### Conexiones

- Conecte el enchufe de energía AC  
Conecte el enchufe de energía AC a una toma AC de pared

El selector de voltaje-linea AC está localizado debajo del plato del tocadiscos.

- Conecte los terminales de salida

Terminales de salida	Amplificador ó Receptor
L(Blanco)	L Canal izquierdo
R (Rojo)	R Canal derecho
GND (Spade log)	GND

Nota:

Asegúrese de conectar el terminal de tierra firmemente al amplificador ó receptor. Si esta conexión no está hecha ó está floja, resultará en un ruido de la fuente de energía.

#### Como operar

1. Coloque un disco en la alfombrilla del tocadiscos.
  2. Ponga el conmutador de energía en la posición "ON"  
El indicador de velocidad y la luz se encenderán
  3. Quite el protector de la aguja, si su cartucho tiene uno removible.
  4. Suelte la abrazadera del brazo.
  5. Pulse el botón Star/Stop  
El plato del tocadiscos empezará a rotar.
  6. Fije el nivelador de señales a la posición arriba
  7. Mueva el brazo sobre la ranura deseada
  8. Fije el nivelador de señales a la posición abajo.  
El brazo descenderá muy despacio encima del disco y la reproducción empezará.
  9. Cuando ha finalizado la reproducción, mueva el brazo al lugar donde descansa, asegure el brazo a la abrazadera.
  10. Pulse el botón Start/Stop  
Después que el tocadiscos se ha llegado a parar por medio de un freno electrónico, apague el aparato.
- NOTA:  
El brazo electrónico no funcionará si el interruptor de energía se pone en la posición OFF antes de apretar el botón Start/Stop.



#### Paso de curvatura ( Botón de Pitch Bend)

El paso se levantará automáticamente cuando el botón + es apretado y regresará a la velocidad cuando el botón de control de paso es soltado. El paso bajará cuando el botón es presionado.

- Cómo suspender la reproducción

Fije el nivelador de señal de entrada a la posición "up" (arriba).  
La punta de la aguja del cartucho será levantada del disco.

- Cuando reproduce un disco de 45 rpm con un agujero central grande.  
Coloque el adaptador de 45 rpm en el centro del eje. Presione el botón de selección de velocidad de 45.

- Iluminador de aguja (Target Light)

Esta unidad está provista con una aguja iluminada para la iluminación de la aguja durante la reproducción de la punta de la aguja.

Al presionar el interruptor del iluminador de aguja, éste es levantado en posición para iluminar la punta de la aguja. Cuando no está en uso, guarde el iluminador de aguja muy bajo a través de una pulsación.

NOTA:

El conmutador debe estar firmemente enganchado.

Una depresión incompleta del conmutador no levantará el iluminador aunque la lámpara esté encendida.

#### Ajustes del equilibrio cero (0) horizontal y la presión de la aguja

- ◆ Si el cartucho dispone de un protector de aguja, quítelo y tenga cuidado de no tocar la punta de la aguja.
- ◆ Suelte la abrazadera del brazo y levante el brazo de lectura de su apoyo.
- ◆ Gire el contrapeso en sentido horario o en sentido anti-horario hasta que el brazo de lectura quede equilibrado horizontalmente y "flote" libremente. Durante el ajuste del equilibrio cero (0) horizontal, tenga cuidado de que la punta de la aguja no toque la alfombrilla ni la base del giradiscos.
- ◆ Una vez que el brazo de lectura haya quedado equilibrado en cero (0) horizontalmente de forma temporal, ponga el brazo de lectura en su apoyo y fíjelo con la abrazadera del brazo.
- ◆ Mientras gira la anilla de presión de la aguja, sujete el contrapeso constantemente con una mano hasta que el "0" de la anilla quede alineado con la línea central del eje posterior del brazo de lectura. Ahora habrá concluido el ajuste del equilibrio cero (0) horizontal.
- ◆ Después de realizar el ajuste del equilibrio cero (0) horizontal, gire el contrapeso equilibrado en sentido anti-horario para conseguir la presión adecuada de la aguja según la recomendación del fabricante del cartucho cuando esté en la línea central sobre el eje posterior del brazo de lectura.

Nota: la fuerza de arrastre de la aguja del L 3807 es 3g ( 2.5- 3.5 g )

## justes

### Control de tono (ajuste de la velocidad)

Cuando, al encender el aparato, el botón para el control del tono se encuentra en el centro, el indicador LED VERDE muestra las condiciones de funcionamiento para la velocidad predeterminada (ya sea 33-1/3 ó 45 rpm.). Cuando el botón para el control del tono no se encuentra en el centro, el indicador estará apagado. El límite de variación del control de tono es de alrededor del 10%. Las cifras del indicador muestran los porcentajes aproximados para el control de tono variable.

Observe la tira apropiada de calibración de puntos de trazo de referencia del lente de seleccionador de impulsos. La tira más baja de para suministro de energía de 60 Hz, la más alta de para 50 Hz.

Si los puntos del seleccionador de impulsos parecen fluir a la derecha lo cual significa que el plato esta revolviéndose más despacio que la velocidad tarifada, ponga el control de paso en la dirección "+" hasta que los puntos del seleccionador de impulsos aparezcan estar quietos. Si los puntos del seleccionador de impulsos parecen fluir a la izquierda lo cual significa que el plato se esta revolviendo más rápido que la velocidad tarifada, ponga el control de paso en la dirección "-" hasta que los puntos del seleccionador de impulsos parezca quieto.

#### NOTA:

La iluminación del seleccionador de impulsos de ésta unidad emplea un iluminador LED sincronizado con la frecuencia quartz precisa.

Para el ajuste de la velocidad del tocadisco, asegúrese de efectuar el ajuste de acuerdo a la iluminación LED. La iluminación LED no está sincronizada usando lámparas fluorescentes.

- Estas tarifas se refieren al montaje del tocadiscos solamente, excluyendo efectos del disco, cartucho ó brazo pero incluyendo el plato. Medido para obtener señal del generador de frecuencia incorporado del montaje del motor.

Ruido - 50 (DIN 45544)

#### Sección Brazo de tono

Tipo: brazo Universal de forma tubular

Altura efectiva: 9 1/2

Saliente: 19/32

Raas. Efectivo 9 g (sin cartucho)

Angulo de descentramiento: 22'

Fricción: Menos de 7 Mg (lateral, vertical)

Angulo de arrastre de error: Dentro de 2'32 (a la salida)

Ranura de 30 cm disco de 12"

Dentro de 0'32 (adentro)

Ranura de 30 cm disco de 12"

Rango de Peso aplicable del cartucho: 6-10gr

Peso del cabezal: 7 gr

- Especificaciones sujetas sin previo aviso.
- Los pesos y dimensiones mostrados son aproximados.



Si vous souhaitez vous débarrasser ultérieurement du produit, veuillez noter que: les déchets électriques ne doivent pas être jetés avec les déchets domestiques. Veuillez les faire déposer dans les centres de recyclage existants. Contactez les autorités locales ou distributeurs pour obtenir de plus amples informations. (Directive de l'équipement électronique et des déchets électriques).