

Lenco

Model: L-3808/L-3810/L-3828



Quick Guide	Direct drive turntable with USB encoding (You can download the full instruction manual from www.lenco.com)
Snelstartgids	Direct aangedreven platenspeler met USB-opnamefunctie (U kunt de volledige instructiehandleiding downloaden op www.lenco.com)
Kurzanleitung	Direktangetriebener Plattenspieler mit USB-Aufzeichnung (Sie können die vollständige Bedienungsanleitung hier herunterladen: www.lenco.com)
Mini guide	Tourne-disque à entraînement direct doté d'une sortie d'enregistrement USB (Vous pouvez télécharger le manuel d'utilisation complet à l'adresse www.lenco.com)
Guía rápida	Tocadiscos de unidad directa con grabación directa (Puede descargar el manual de instrucciones completo desde www.lenco.com)
Краткое руководство	Виниловый проигрыватель с прямым приводом и функцией записи на USB (Полное руководство по эксплуатации можно загрузить на веб-сайте www.lenco.com)
Startvejledning	Pladespiller med direkte drev og USB-optagelse (Du kan downloade den fulde brugervejledning fra www.lenco.com)
Snabbguide	Direkt driven skivspelare med USB-inspelning (Du kan ladda ned hela bruksanvisningen från www.lenco.com)

Version : 11.0

INDEX

English	3
Nederlands	12
Deutsch	21
Français	30
Español	39
Русский	48
Dansk/Norsk	59
Svenska	68

CAUTION:

Usage of controls or adjustments or performance of procedures other than those specified herein may result in hazardous radiation exposure.

PRECAUTIONS BEFORE USE

KEEP THESE INSTRUCTIONS IN MIND:

1. Do not cover or block any ventilation openings. When placing the device on a shelf, leave 5 cm (2") free space around the whole device.
2. Install in accordance with the supplied user manual.
3. Keep the device away from heat sources such as radiators, heaters, stoves, candles and other heat-generating products or naked flame. The device can only be used in moderate climates. Extremely cold or warm environments should be avoided. Working temperature between 0° and 35°C.
4. Avoid using the device near strong magnetic fields.
5. Electrostatic discharge can disturb normal usage of this device. If so, simply reset and restart the device following the instruction manual. During file transmission, please handle with care and operate in a static-free environment.
6. Warning! Never insert an object into the product through the vents or openings. High voltage flows through the product and inserting an object can cause electric shock and/or short circuit internal parts. For the same reason, do not spill water or liquid on the product.
7. Do not use in wet or moist areas such as bathrooms, steamy kitchens or near swimming pools.
8. The device shall not be exposed to dripping or splashing and make sure that no objects filled with liquids, such as vases, are placed on or near the apparatus.
9. Do not use this device when condensation may occur. When the unit is used in a warm wet room with damp, water droplets or condensation may occur inside the unit and the unit may not function properly; let the unit stand in power OFF for 1 or 2 hours before turning on the power: the unit should be dry before getting any power.
10. Although this device is manufactured with the utmost care and checked several times before leaving the factory, it is still possible that problems may occur, as with all electrical appliances. If you notice smoke, an excessive build-up of heat or any other unexpected phenomena, you should disconnect the plug from the main power socket immediately.
11. This device must operate on a power source as specified on the specification label. If you are not sure of the type of power supply used in your home, consult your dealer or local power company.
12. Keep away from animals. Some animals enjoy biting on power cords.
13. To clean the device, use a soft dry cloth. Do not use solvents or petrol based fluids.
To remove severe stains, you may use a damp cloth with dilute detergent.
14. The supplier is not responsible for damage or lost data caused by malfunction, misuse, modification of the device or battery replacement.
15. Do not interrupt the connection when the device is formatting or transferring files. Otherwise, data may be corrupted or lost.
16. If the unit has USB playback function, the USB memory stick should be plugged into the unit directly. Don't use an USB extension cable because it can cause interference resulting in failing of data.
17. The rating label has been marked on the bottom or back panel of the device.
18. This device is not intended for use by people (including children) with physical, sensory or mental disabilities, or a lack of experience and knowledge, unless they're under supervision or have received instructions about the correct use of the device by the person who is responsible for their safety.
19. This product is intended for non professional use only and not for commercial or industrial use.
20. Make sure the unit is adjusted to a stable position. Damage caused by using this product in an unstable position vibrations or shocks or by failure to follow any other warning or precaution contained within this user manual will not be covered by warranty.
21. Never remove the casing of this device.
22. Never place this device on other electrical equipment.
23. Do not allow children access to plastic bags.
24. Only use attachments/accessories specified by the manufacturer.
25. Refer all servicing to qualified service personnel. Servicing is required when the device has been damaged in any way, such as the power supply cord or the plug, when liquid has been spilled or objects have fallen into the device, when the device has been exposed to rain or moisture, does not operate normally, or has been dropped.
26. Long exposure to loud sounds from personal music players may lead to temporary or permanent hearing loss.

27. If the product is delivered with power cable or AC power adaptor:

- If any trouble occur, disconnect the AC power cord and refer servicing to qualified personnel.
- Don't step on or pinch the power adaptor. Be very careful, particularly near the plugs and the cable's exit point. Do not place heavy items on the power adaptor, which may damage it. Keep the entire device out of children's reach! When playing with the power cable, they can seriously injure themselves.
- Unplug this device during lightning storms or when unused for a long period.
- The socket outlet must be installed near the equipment and must be easily accessible.
- Do not overload ac outlets or extension cords. Overloading can cause fire or electric shock.
- Devices with class 1 construction should be connected to a main socket outlet with a protective earthed connection.
- Devices with class 2 construction do not require a earthed connection.
- Always hold the plug when pulling it out of the main supply socket. Do not pull the power cord. This can cause a short circuit.
- Do not use a damaged power cord or plug or a loose outlet. Doing so may result in fire or electric shock.

28. INSTALLATION:

- Unpack all parts and remove protective material.
- Do not connect the unit to the mains before checking the mains voltage and before all other connections have been made.



The lightning flash with the arrowhead symbol within the equilateral triangle is intended to alert the user to the presence of un-insulated "dangerous voltage" within the product's enclosure that may be of sufficient magnitude to constitute a risk of an electrical shock.



The exclamation point within the equilateral triangle is intended to alert the user to the presence of important operation and maintenance (servicing) instructions in the literature accompanying this appliance.

WARNING!

To reduce the risk of fire or an electrical shock, do not expose this device to rain or moisture. The device must not be exposed to dripping or splashing water. Furthermore no objects filled with liquids, such as vases, shall be placed on the device.



CAUTION: In order to reduce the risk of an electrical shock, do not remove any cover. There are no user-serviceable parts inside the device. Refer servicing to qualified service personnel only.

STANDBY

This device is provided with an automatic standby mode which is automatically activated after 20 minutes of non-use. In standby mode, the power consumption of the turntable is reduced to less than 0.5 W to avoid unnecessary power consumption. The standby mode will be interrupted automatically as soon as the speed selector is set to one of the two speeds.

AUTO SHUT OFF

Auto shut off means that when the record is playing and the arm reaches the end of the record and rotates another 5 minutes, the device will shut off automatically and will stop rotating. The same will happen if the needle does not touch any record during 5 minutes.

ACCESSORIES SUPPLIED

Instruction manual x 1	Head shell assembly x 1	45 rpm adapter x 1
2P RCA cable x 1	Counter weight x 1	UL/PSE transfer plug x 1
Power Adapter x 1	USB cable x 1	Dust cover x 1
Platter x 1	Felt mat x 1	Hinge x 2

Remark :
 For power adaptor, L-3810 / L-3828 it is CE and UK version
 For L-3828 the delivered cartridge is AT-95E

ASSEMBLY

Some assembly required before you can begin to use your new unit. Please follow the assembly instruction below before attempting to use you new turntable.

Before you begin assembly please be sure all parts and accessories have arrived intact.

NOTES:

- Do not connect the Power Adapter before assembly has been completed.
- Before turning the power on, make sure once again all the connections. Always turn off the power when connecting or disconnecting.
- Read this manual carefully before using the unit. Be sure to store the manual in a safe place for future reference.
- Attach a stylus cartridge to the HEADSHELL before assembling the turntable unit.

Headshell Assembly:

When installing a cartridge, refer to the operating instructions of that cartridge.

During installation, attach the stylus protector to guard the stylus tip from damage.

Connect the HEADSHELL lead wires to the cartridge terminals. The terminals of cartridges and the HEADSHELL lead wires are color coded. Connect each lead wire to the cartridge terminals of the same color.

- White (L+) Left channel +
- Blue (L-) Left channel –
- Red (R+) Right channel +
- Green (R-) Right channel –

Turntable Assembly:

1. REMOVING FROM CARTON:

Carefully remove the main unit with the packing material intact from the box. Remove the packing material once the unit has been removed from the shipping carton. Be sure to locate all the accessories located in the packing material.

2. 45 ADAPTER:

Locate and remove the 45-rpm adapter from the packing material and place it in the 45 adapter cutout on the top of the main unit.

3. TURNTABLE PLATTER:

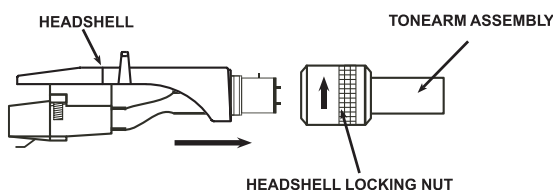
Remove the turntable platter from the packing material and gently insert the platter into the CENTER SPINDLE on the base of the turntable unit.

4. SLIPMAT:

Remove the black slipmat from the packaging and place it on the PLATTER.

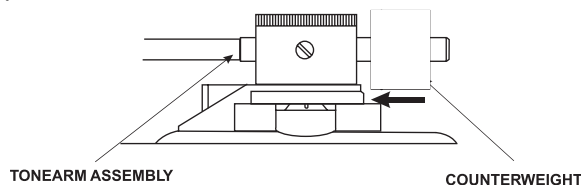
5. HEADSHELL:

Insert the HEADSHELL into the front end of the TONEARM ASSEMBLY. While holding HEADSHELL firmly into the front end of the tonearm assembly, turn the HEADSHELL LOCKING NUT counter-clockwise to firmly secure the HEADSHELL to TONEARM ASSEMBLY.



6. COUNTERWEIGHT:

Locate and remove the tonearm COUNTERWEIGHT from the packaging. Slide COUNTERWEIGHT onto the rear of the TONEARM ASSEMBLY. Turn it lightly and it will screw onto the rear shaft of the tonearm.



CONNECTION

Before connecting the unit it is advised that you also consult your current equipment instruction manual.

1. Be sure to turn off the audio device, such as a stereo system or an amplifier, before connection.

Be sure to make all the connections before you connect the Power adapter to a power outlet.

Note: To avoid noise interference, place the Power adapter body away from your turntable as far as possible.

2. Connect the RCA cable to the PHONO input of your AMPLIFIER when you set the PHONO/LINE switch to PHONO position.

You can also use a line input by setting the PHONO/LINE switch at the rear of the turntable to LINE.

Output terminals

- L (White)
- R (Red)
- GND (Spade)

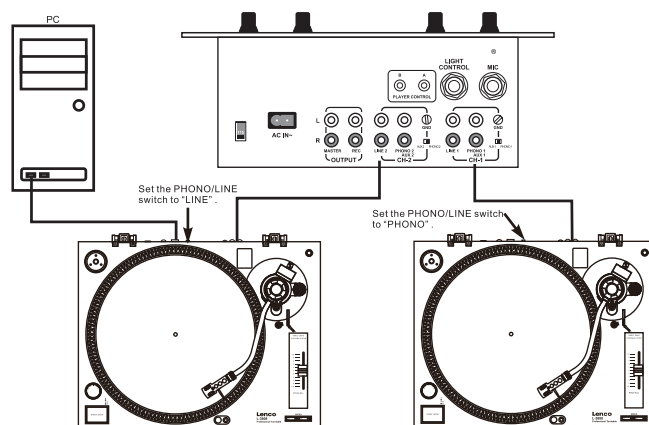
Amplifier (Receiver)

- L Channel
- R Channel
- GND

NOTE: Be sure to connect the ground terminal firmly to the amplifier or receiver.

If this connection is not made or is loose, a power source "HUM" will result.

3. Connect PC via USB cord.



Turntable Installation:

1. Do not place the unit in a location where it will be exposed to direct sunlight or near any type of heating appliance.
2. Do not place the unit in a location where there is high humidity or a lot of dust.
3. Cartridge may pick up slight sound pressure or vibrations of nearby speakers. For best results, do not install this unit too close to speakers.
4. Install this unit on a horizontal surface that is stable and vibration free.
5. The rubber feet have been specially designed to isolate the unit from excess vibration. The feet may also be used to stabilize the main body horizontally. Adjust the height of the unit by turning the feet in a clockwise or counter-clockwise direction.

Tonearm Balance and Stylus Pressure:

Adjustment of horizontal zero balance and stylus pressure:

1. Remove the stylus protective cover, if so equipped. Never touch the stylus tip during the adjustment.
2. Lower the TONEARM LEVER.
3. Release the tonearm clamp and release the tonearm from the arm rest.
4. Set the ANTI-SKATE adjustment to zero.
5. Rotate the COUNTERWEIGHT in either direction until the TONEARM is perfectly balanced horizontally (floats freely).
6. Return the TONEARM to the arm rest and lock it in place.
7. Hold the COUNTERWEIGHT stationary with one hand and rotate only the stylus-pressure ring to bring the number "0" of the ring into alignment with the center line on the tonearm rear shaft.
8. Rotate the COUNTERWEIGHT counterclockwise until the scale value corresponding to the recommended stylus pressure.

Note: The recommended stylus pressure of the optional cartridge that may have been included with your unit is 2 grams. For all other cartridge systems please refer to the manufactures specification included with the cartridge.

Anti-Skate:

The anti-skate adjustment prevents the TONEARM ASSEMBLY from skipping across the record from the centrifugal force that is caused spinning rotation of the PLATTER. The ANTI-SKATING control knob should be set to the same value as the stylus pressure. For example if your COUNTERWEIGHT is set to 2.5 grams the ANTI-SKATE value should also be set to 2.5.

QUICK-START**Turntable Quick-Start:****1. Changing Platter Speed**

Use the RPM selectors to change the platter speeds. The 33-rpm and 45-rpm speed selectors change the platter rotation respectively.

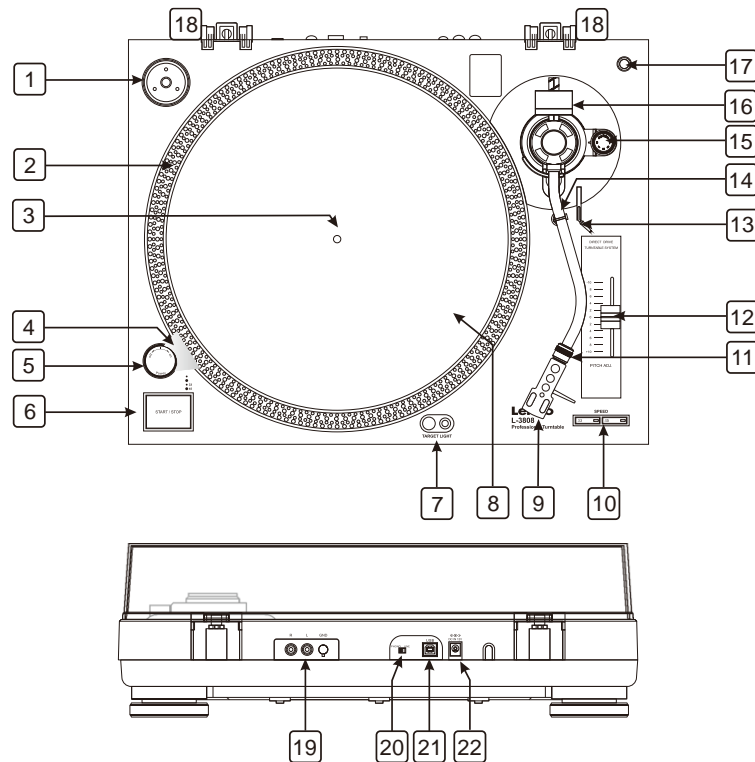
2. Starting and Stopping the Platter

Use the START/STOP BUTTON to switch back and forth between platter rotation and pause modes.

3. Pitch Control

- (1) The pitch adjustment is a fine adjustment to the platter's RPMs.
- (2) The pitch adjustment is variable and may be adjusted between -10% and +10% of the platter-selected speed.
- (3) The pitch is changed by sliding the Pitch Slider in an up and down motion.
- (4) The STROBE INDICATORS on the rim of the PLATTER can be used to visual approximate the platter pitch. These indicators are lit by the STROBE INDICATOR PILOT LAMP as they pass by the POWER SWITCH. At different pitch levels each row of STROBE INDICATORS may appear stand still.

Note: The use of heavy fluorescent lighting directly above the turntable will defeat the STROBE PILOT LAMP affect indicator accuracy.



1. EP ADAPTER

This adapter allows you to play standard 7" EP vinyl records with large center holes. Place the adapter on the CENTER SPINDLE 7" records.

2. STROBE INDICATORS

The PLATTER has four rows of indicators. These indicators are used to visually detail various stages of pitch. The indicators are illuminated by the STROBE INDICATOR PILOT LAMP. Each row may appear to stand still at different pitch levels.

Note: The use of heavy fluorescent lighting directly above the turntable will defeat the STROBE PILOT LAMP affect indicator accuracy.

3. CENTER SPINDLE

This spindle holds the turntable PLATTER records stable and centered.

4. STROBE INDICATOR PILOT LAMP

This is lamp specially designed to pulse a beam of light at the STROBE INDICATORS on the turntable PLATTER. This will give the illusion that indicators are not spinning at certain speeds.

5. POWER SWITCH

This is a rotary power switch. To turn main power on turn the switch in a clockwise direction. To turn main power off turn the switch in counter-clockwise direction.

6. START/STOP BUTTON

This oversized push button controls platter motion. When the unit is turned on the platter will not automatically begin to spin. Pressing the button once will engage the high torque motor and spin the platter, pressing this again will stop the platter.

7. TARGET LIGHT

Press the right button and a light will pop up directed at the stylus position. To retract the light, press down on the light itself.

8. PLATTER

This platter connects directly to the center spindle. The platter and center spindle holds a vinyl record perfectly center. The platter also spins the record at a consistent speed.

9. STYLUS HEADSHELL

The included HEADSHELL is used to connect your stylus with the tonearm.

10. 33/45-RPM SPEED SELECTOR BUTTONS

Engaging these buttons will rotate the platter at 33 or 45 RPMs. A function LED will glow when this function is activated.

11. HEADSHELL LOCKING NUT

After attaching the headshell to the tonearm, this locking nut will securely hold the headshell to the tonearm.

12. PITCH ADJUST SLIDER

This slider is used to adjust the playback pitch percentage (platter speed).

13. TONEARM LEVER

This lever is used to safely elevate the tonearm above a record surface without endangering a records surface.

14. TONEARM CLAMP AND REST

Use this rest to safely hold the tonearm in position during non-use and transportation.

15. ANTI-SKATE CONTROL

The anti-skate applies inward force to the tonearm to prevent outward skipping across the record due to the centrifugal force cause by platter rotation. The anti-skate value should be equally to that of the stylus counterweight pressure.

16. COUNTERWEIGHT

Use the counterweight to balance the tonearm and to adjust the stylus pressure.

17. EXTRA STYLUS HOLDER

This cutout has been designed to safely store an extra stylus headshell.

18. DUST COVER HINGE HOLDERS

Attachment points for dust cover hinges.

19. RCA OUTPUT JACKS

The output is switchable PHONO/LINE output. Depending on the position of the phono/line switch, you can connect the turntable to any phono or line input. Connect the RCA-cables (white=left channel, red=right channel) with the Phono-sockets of your amplifier or mixer. Connect the ground lead with the ground terminal of your amplifier or mixer.

20. PHONO/LINE SWITCH

This switch is used to change the mode of PHONO OUTPUT or LINE OUTPUT.

21. USB SOCKET (USB cable limit within 3m)

After connecting the Turntable to the computer via USB, you can record your vinyl to your hard disk using software. You can download the free software on <http://audacity.sourceforge.net/>

22. DC IN JACK

1. TECHNICAL DATA OF THE INCLUDED POWER SUPPLY (one of the 2 options)

Information	Value and Precision	Value and Precision
Manufacturers name or trade mark commercial registration and address	HON-KWANG ELECTRIC CO.,LTD.	SHENZHEN FU JIA APPLIANCE CO., LTD.
Model Identifier	HK-CW-120A200-CP	FJ-SW1202000N
Input voltage	AC100-240V	AC100-240V
Input AC frequency	50/60Hz	50/60Hz
Output voltage	DC 12.0V	DC 12.0V
Output current	2.0A	2.0A
Output Power	24.0W	24.0W
Average active efficiency	≥86.20%	≥86.20%
No load Power consumption	0.1W Max	0.1W Max

2. NOTES

- (1) The specifications are subject to change to any improvement by negotiations in advance.
- (2) The parts are subject to change to any improvement within the range of the specifications.

Commaxx B.V. offers service and warranty in accordance with the European law, which means that in case of repairs (both during and after the warranty period) you should contact your local dealer.

Important note: It is not possible to send products that need repairs to Commaxx B.V. directly.

Important note: If this unit is opened or accessed by a non-official service center in any way, the warranty expires.

This device is not suitable for professional use. In case of professional use, all warranty obligations of the manufacturer will be voided.

Disclaimer

Updates to Firmware and/or hardware components are made regularly. Therefore some of the instruction, specifications and pictures in this documentation may differ slightly from your particular situation. All items described in this guide for illustration purposes only and may not apply to particular situation. No legal right or entitlements may be obtained from the description made in this manual.

Disposal of the Old Device



This symbol indicates that the relevant electrical product or battery should not be disposed of as general household waste in Europe. To ensure the correct waste treatment of the product and battery, please dispose them in accordance to any applicable local laws of requirement for disposal of electrical equipment or batteries. In so doing, you will help to conserve natural resources and improve standards of environmental protection in treatment and disposal of electrical waste (Waste Electrical and Electronic Equipment Directive).

CE Marking



Products with the CE marking comply with the EMC Directive (2014/30/EU) and the Low Voltage Directive (2014/35/EU) issued by the Commission of the European Community.

Hereby, Commaxx B.V. Wiebachstraat 37, 6466 NG Kerkrade, The Netherlands, declares that this product is in compliance with the essential requirements.

The declaration of conformity may be consulted at techdoc@lenco.com

Service

For more information and helpdesk support, please visit www.lenco.com

Commaxx B.V. Wiebachstraat 37, 6466 NG Kerkrade, The Netherlands

LET OP:

Gebruik van bedieningen of afstellingen of uitvoer van procedures anders dan gespecificeerd in deze documentatie kan leiden tot blootstelling aan schadelijke straling.

VOORZORGSMAATREGELEN VOOR GEBRUIK**ONTHOUD DE VOLGENDE INSTRUCTIES:**

1. Bedek of blokkeer de ventilatieopeningen niet. Wanneer u het apparaat op een schap plaatst, dient u 5 cm (2") vrije ruimte rondom het gehele apparaat te behouden.
2. Installeer het product volgens de meegeleverde gebruikershandleiding.
3. Houd het apparaat uit de buurt van hittebronnen, zoals radiatoren, verwarmingen, kachels, kaarsen en andere hittegenererende producten of open vuur. Het apparaat kan alleen worden gebruikt in een gematigd klimaat. Extreem koude of warme omgevingen dienen te worden vermeden. Bedrijfstemperatuur tussen 0 °C en 35 °C.
4. Gebruik dit apparaat niet in de buurt van krachtige magnetische velden.
5. Elektrostatische ontlading kan normaal gebruik van dit apparaat verstoren. U hoeft het apparaat in dit geval slechts te resetten en opnieuw op te starten volgens de gebruikershandleiding. Wees voorzichtig tijdens bestandsoverdracht en gebruik het product in een omgeving zonder statische interferentie.
6. **Waarschuwing!** Steek nooit een voorwerp via de ventilatie- of andere openingen in het product. Er is hoogspanning in het product aanwezig en als u er een object insteekt, kan dat een elektrische schok veroorzaken en/of kortsluiting in de interne onderdelen. Mors om dezelfde reden geen water of vloeistof op het product.
7. Gebruik het toestel niet in vochtige ruimtes, zoals badkamers, stomende keukens of in de buurt van zwembaden.
8. Het apparaat mag niet worden blootgesteld aan druppels en spetters en zorg ervoor dat er geen met vloeistof gevulde voorwerpen, zoals vazen, op of in de buurt van het apparaat worden geplaatst.
9. Gebruik dit apparaat niet wanneer condensatie kan optreden. Wanneer het apparaat in een warme en vochtige kamer wordt gebruikt, dan kunnen er waterdruppeltjes of condensatie binnenin het apparaat worden gevormd waardoor het apparaat mogelijk niet meer goed werkt; houd en apparaat 1 of 2 uur op UIT staan voordat u de voeding weer inschakelt: het apparaat dient droog te zijn voordat deze stroom ontvangt.
10. Alhoewel dit apparaat met grote zorg gefabriceerd en verschillende keren geïnspecteerd is voordat het de fabriek verlaat, is het nog steeds mogelijk dat er problemen optreden, zoals met alle elektrische apparaten. Als u rook, een overmatige hitteontwikkeling of enig ander onverwacht verschijnsel, moet u onmiddellijk de stekker van het netsnoer uit het stopcontact halen.
11. Dit apparaat moet werken op een voedingsbron, zoals aangegeven op het specificatieplaatje. Als u twijfelt over het type voeding dat gebruikt wordt in uw huis, raadpleeg dan uw dealer of plaatselijk energiebedrijf.
12. Buiten bereik van dieren houden. Sommige dieren bijten graag op voedingskabels.
13. Gebruik een zacht, droog doekje om het apparaat te reinigen. Gebruik geen oplosmiddelen of op benzine gebaseerde vloeistoffen.
U kunt een vochtig doekje met verdund schoonmaakmiddel gebruiken om hardnekkige vlekken te verwijderen.
14. De leverancier is niet verantwoordelijk voor schade of verloren gegevens veroorzaakt door storing, misbruik, modificatie van het apparaat of batterijvervanging.
15. Onderbreek nooit de verbinding wanneer het apparaat formateert of bestanden overdraagt. De gegevens kunnen anders corrupt of verloren raken.
16. Indien het apparaat een USB-afspeelfunctie heeft, moet de USB-geheugenstick rechtstreeks op het apparaat worden aangesloten. Gebruik geen USB-verlengkabel, omdat die kan leiden tot storingen met foutieve gegevens als gevolg.
17. Het nominale specificatielabel is te vinden op het paneel aan de onder- of achterkant van het apparaat.
18. Dit apparaat is niet bestemd voor gebruik door mensen (inclusief kinderen) met fysieke, zintuiglijke of geestelijke gebreken of gebrek aan kennis en ervaring, tenzij zij onder toezicht staan of instructies hebben over het juiste gebruik van het apparaat hebben gekregen van de persoon die verantwoordelijk is voor hun veiligheid.
19. Dit product is alleen voor niet-professioneel gebruik bedoeld en niet voor commercieel of industrieel gebruik.
20. Verzeker u ervan dat het apparaat in een stabiele positie staat opgesteld. Beschadigingen veroorzaakt door het gebruik van dit apparaat in een onstabiele positie, trillingen of schokken of door het niet opvolgen van andere waarschuwingen of voorzorgsmaatregelen beschreven in deze gebruikershandleiding worden niet gedekt door de garantie.
21. Verwijder nooit de behuizing van dit apparaat.
22. Plaats dit apparaat nooit op andere elektrische apparatuur.
23. Geef kinderen geen gelegenheid in aanraking met plastic zakken te komen.
24. Gebruik uitsluitend uitbreidingen/accessoires gespecificeerd door de fabrikant.
25. Laat alle reparaties over aan gekwalificeerd onderhoudspersoneel. Onderhoud is vereist als het toestel hoe dan ook is beschadigd, zoals bijvoorbeeld het netsnoer of de stekker, wanneer er vloeistof of een voorwerp in het apparaat is terechtgekomen, wanneer het apparaat is blootgesteld aan regen of vocht, als het niet normaal werkt of is gevallen.
26. Langdurige blootstelling aan harde geluiden van persoonlijke muzikspelers kan leiden tot tijdelijk of permanent gehoorverlies.

27. Als het product wordt geleverd met voedingskabel of AC-voedingsadapter:

- Als er problemen optreden, koppel de wisselstroomvoedingskaart dan los en laat reparaties over aan bevoegd personeel.
- Nooit op de voedingsadapter stappen of deze indrukken. Wees voornamelijk voorzichtig in de buurt van de stekkers en het punt waar de kabel uit het apparaat komt. Plaats geen zware voorwerpen op de voedingsadapter, om beschadiging ervan te voorkomen. Houd het gehele apparaat buiten bereik van kinderen! Wanneer kinderen met de voedingskabel spelen, kunnen zij ernstig letsel oplopen.
- Haal de stekker uit het stopcontact tijdens onweer of wanneer u deze langere tijd niet gebruikt.
- Het stopcontact moet in de buurt van de apparatuur zijn geïnstalleerd en eenvoudig te bereiken zijn.
- Overbelast stopcontacten of verlengsnoeren niet. Overbelasting kan brand of een elektrische schok veroorzaken.
- Apparaten met een Klasse 1 structuur dienen te worden aangesloten op een stopcontact met een beschermende aardverbinding.
- Apparaten met een Klasse 2 structuur vereisen geen aardverbinding.
- Houd altijd de stekker vast wanneer u deze uit het stopcontact trekt. Trek nooit aan de voedingskabel. Dit kan tot een kortsluiting leiden.
- Gebruik nooit een beschadigde voedingskabel of stekker of een los stopcontact. Dit vormt namelijk een risico op brand of elektrische schokken.

28. INSTALLATIE:

- Pak alle onderdelen uit en verwijder de beschermende materialen.
- Sluit het apparaat niet aan op het stopcontact, voordat u de netspanning hebt gecontroleerd en voordat alle andere aansluitingen zijn gemaakt.



Het symbool met de bliksemschicht met pijlpunt in een gelijkzijdige driehoek, is bedoeld om de gebruiker te attenderen op de aanwezigheid van niet-geïsoleerde, gevaarlijke spanning binnen de behuizing van het apparaat, die voldoende groot kan zijn voor het risico op een elektrische schok.



Het uitroepteken binnenin een gelijkzijdige driehoek is bedoeld de gebruiker te wijzen op de aanwezigheid van belangrijke onderhoud- (reparaties) en gebruiksinstructies in de documentatie meegeleverd met dit apparaat.

WAARSCHUWING!

Om het risico op brand of een elektrische schok te verminderen, mag dit apparaat niet worden blootgesteld aan regen of vocht. Het apparaat mag niet worden blootgesteld aan druppelend of spattend water. Verder mogen er geen met vloeistof gevulde voorwerpen, zoals vazen, op het apparaat worden geplaatst.



LET OP: Om het risico op een elektrische schok te verminderen, mogen er geen kappen verwijderd worden. Het apparaat bevat door de gebruiker te onderhouden onderdelen. Laat reparaties over aan uitsluitend gekwalificeerd onderhoudspersoneel.

STAND-BY

Dit apparaat is voorzien van een automatische stand-bymodus die automatisch wordt geactiveerd na 20 minuten inactiviteit. In de stand-bymodus wordt het stroomverbruik van de platenspeler gereduceerd tot minder dan 0,5 W om onnodig stroomverbruik te voorkomen. De stand-bymodus wordt automatisch onderbroken zodra de snelheidsschakelaar op een van de twee snelheden is ingesteld.

AUTOMATISCHE UITSCHAKELING

Automatische uitschakeling betekent dat wanneer de plaat wordt afgespeeld en de arm het einde van de plaat bereikt, het apparaat na 5 minuten automatisch wordt uitgeschakeld en stopt met draaien. Hetzelfde gebeurt als de naald gedurende 5 minuten de plaat niet raakt.

MEEGELEVERDE ACCESSOIRES

1x gebruikershandleiding	1x kopbehuizingassemblage	1x 45-tpm adapter
1x 2-delige RCA-kabel	1x contragewicht	1x UL/PSE-overdachtsstekker
1x voedingsadapter	1x USB-kabel	1x stofkap
1x plateau	1x viltmat	2x scharnier

Opmerking:

Voor stroomadapter L-3810 / L-3828 is het de CE- en VK-versie

Voor L-3828 is de meegeleverde cartridge AT-95E

MONTAGE

Voordat u uw nieuwe apparaat kunt gebruiken, is er wat montage vereist. Volg a.u.b. de montage-instructies hieronder voordat u probeert uw nieuwe platenspeler te gebruiken.

Voordat u met de montage begint, controleer a.u.b. of alle onderdelen en accessoires intact zijn geleverd.

OPMERKING:

- Sluit de voedingsadapter niet aan voordat de montage is voltooid.
- Voordat u de stroom inschakelt, moet u alle aansluitingen nog een keer controleren. Schakel het apparaat altijd uit wanneer u iets aansluit of loskoppelt.
- Lees deze handleiding zorgvuldig door voordat u het apparaat in gebruik neemt. Bewaar deze handleiding op een veilige plek als eventueel naslagwerk.
- Sluit een naaldpatroon aan op de KOPBEHUIZING voordat u de platenspeler assembleert.

Assemblage kopbehuizing:

Wanneer u een patroon installeert, dient u de gebruiksaanwijzingen van die patroon te raadplegen.

Tijdens installatie, bevestig een naaldbeveiliging om de tip van de naald te beschermen tegen beschadiging.

Sluit de kabels van de KOPBEHUIZING aan op de patroonklemmen. De aansluitklemmen van patronen en de kabels van de KOPBEHUIZING zijn op kleur gecodeerd. Sluit elke kabel aan op de patroonklemmen van dezelfde kleur.

Wit (L+) Linkerkanaal +
Blauw (L-) Linkerkanaal –
Rood (R+) Rechterkanaal +
Groen (R-) Rechterkanaal –

Assemblage platenspeler:**1. UIT DE VERPAKKING HALEN:**

Haal het hoofdapparaat voorzichtig uit de doos met het verpakkingsmateriaal intact. Verwijder het verpakkingsmateriaal nadat het apparaat eenmaal uit de doos is gehaald. Zorg ervoor alle accessoires uit het verpakkingsmateriaal te halen.

2. 45 ADAPTER:

Haal de 45-tpm adapter uit het verpakkingsmateriaal en plaats deze in de 45-tpm adapterinkeping boven op het hoofdapparaat.

3. PLATENSPELERPLATEAU:

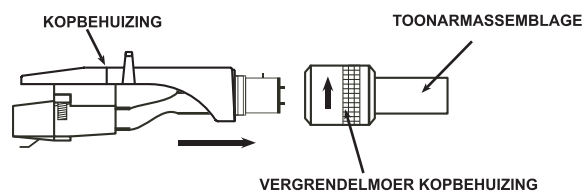
Haal het plateau uit het verpakkingsmateriaal en plaats deze voorzichtig op de MIDDENAS op de basis van de platenspeler.

4. SLIPMAT:

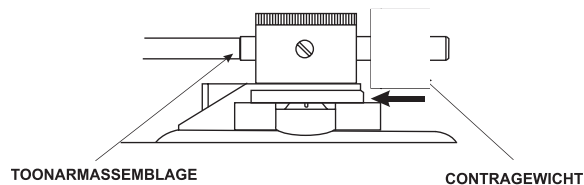
Haal de zwarte slipmat uit de verpakking en plaats deze op het PLATEAU.

5. KOPBEHUIZING:

Steek de KOPBEHUIZING in het vooreinde van de TOONARMASSEMBLAGE. Terwijl u de KOPBEHUIZING stevig in het vooreinde van de toonarmassemblage houdt, draai de VERGRENDELMOER van de KOPBEHUIZING linksom om de KOPBEHUIZING stevig vast te zetten op de TOONARMASSEMBLAGE.

**6. CONTRAGEWICHT:**

Haal het CONTRAGEWICHT voor de toonarm uit de verpakking. Schuif het CONTRAGEWICHT op de achterzijde van de TOONARMASSEMBLAGE. Draai het lichtjes om het op de achteras van de toonarm te schroeven.

**AANSLUITINGEN**

Voordat u het apparaat aansluit, is het raadzaam ook de gebruikershandleiding te raadplegen van uw huidige apparatuur.

- Zorg ervoor dat u het audioapparaat, zoals een stereo-installatie of een versterker, uitschakelt voordat u het aansluit. Zorg ervoor dat u alle aansluitingen maakt voordat u de voedingsadapter op een stopcontact aansluit.

Opmerking: Plaats de behuizing van de voedingsadapter zo ver mogelijk uit de buurt van uw platenspeler om ruis door storing te voorkomen.

- Sluit de RCA-kabel aan op de PHONO-ingang van uw versterker wanneer u de PHONO/LINE-schakelaar instelt op de stand PHONO. U kunt een lijningang ook gebruiken door de PHONO/LINE-schakelaar op de achterzijde van de platenspeler in te stellen op LINE.

Uitgangsklemmen

L (Wit)
R (Rood)
GND (Zwart)

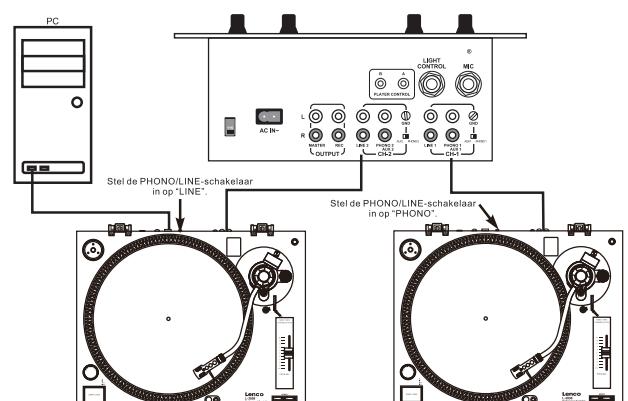
Versterker (Ontvanger)

Linkerkanaal
Rechterkanaal
Aarde

OPMERKING: Zorg ervoor dat u de aardklem stevig aansluit op de versterker of de ontvanger.

De voedingsadapter "ZOEMT" als deze verbinding niet wordt gemaakt of los zit.

- Aansluiting op een PC verloopt via een USB-kabel.



De platenspeler installeren:

1. Plaats het apparaat niet op een plek blootgesteld aan direct zonlicht of in de buurt van enigerlei type verwarmingsapparatuur.
2. Plaats het apparaat niet op een plek met een hoge luchtvochtigheid of teveel stof.
3. De cartridge kan lichte geluidsdruk of trillingen van nabijgelegen luidsprekers opvangen. Installeer dit apparaat voor de beste resultaten dus niet te dicht in de buurt van luidsprekers.
4. Installeer dit apparaat op een horizontaal en stabiel oppervlak, zonder trillingen.
5. De rubberen voetstukjes zijn speciaal ontworpen om het apparaat te beschermen tegen teveel trillingen. De voetstukjes kunnen ook worden gebruikt om de hoofdbehuizing horizontaal te stabiliseren. Pas de hoogte van het apparaat aan door de voetstukjes rechtsom of linksom te draaien.

Balans van de toonarm en naalddruk:

De horizontale nulbalans en naalddruk afstellen:

1. Verwijder de beschermkap van de naald, indien geïnstalleerd. Raak de tip van de naald tijdens deze afstelling nooit aan.
2. Laat het TOONARMHENDEL zakken.
3. Ontgrendel de klem van de toonarm en haal de toonarm van de houder af.
4. Stel de afstelling DWARSKRACHTCOMPENSATIE in op nul.
5. Draai het CONTRAGEWICHT in een willekeurige richting totdat de TOONARM perfect horizontaal gebalanceerd is (moet vrij zweven).
6. Leg de TOONARM terug op de houder en sluit de vergrendeling.
7. Houd het CONTRAGEWICHT met de ene hand stil en draai met de andere hand alleen de drukring van de naald om het cijfer "0" van de ring af te stemmen op de middenlijn van de achteras van de toonarm.
8. Draai het CONTRAGEWICHT linksom totdat de schaalwaarde overeenkomt met de aanbevolen naalddruk.

Opmerking: De aanbevolen naalddruk van de optionele patroon mogelijk meegeleverd met uw apparaat is 2 gram. Voor alle andere patroonsystemen dient u de specificaties van de fabrikant te raadplegen die zijn meegeleverd met de patroon.

Dwarskrachtcompensatie:

De DWARSKRACHTCOMPENSATIE-afstelling voorkomt dat de TOONARMASSEMBLAGE over de plaat springt wegens de middelpuntvliedende kracht veroorzaakt door het draaien van het PLATEAU. De DWARSKRACHTCOMPENSATIE-bedieningsknop dient te worden ingesteld op dezelfde waarde als de naalddruk. Als uw CONTRAGEWICHT bijvoorbeeld is ingesteld op 2,5 gram, dient ook de waarde van de DWARSKRACHTCOMPENSATIE te worden ingesteld op 2,5 gram.

SNEL AAN DE SLAG

Snel aan de slag met de platenspeler:

1. Plateausnelheid veranderen

Gebruik de TPM-schakelaars om de plateausnelheden te veranderen. De 33-tpm en 45-tpm snelheidschakelaars veranderen de plateaurotatie dienovereenkomstig.

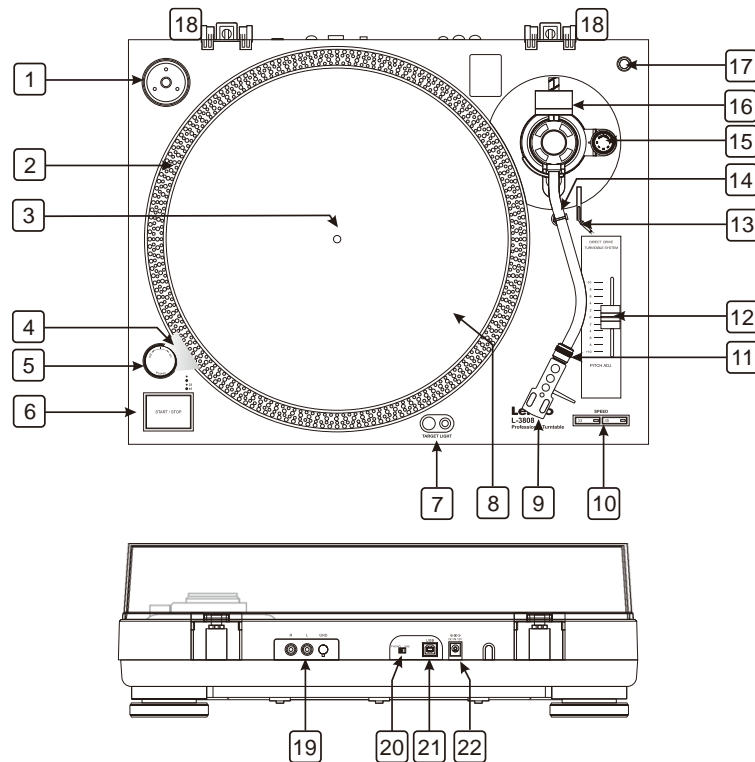
2. Het plateau starten en stoppen

Gebruik de START/STOP-knop om te wisselen tussen plateaurotatie en pauzmodus.

3. Pitchregeling

- (1) De pitchregeling wordt gebruikt om het toerental van het plateau fijner af te stellen.
- (2) De pitchafstelling is variabel en kan worden ingesteld tussen -10% en +10% van de geselecteerde plateausnelheid.
- (3) De pitch wordt veranderd door de pitchschuif omhoog en omlaag te schuiven.
- (4) De STROBE-INDICATOREN op de rand van het PLATEAU kunnen worden gebruikt als een visuele benadering van de pitch. Deze indicatoren worden opgelicht door de STROBE-INDICATIELAMP naargelang ze de AAN/UITSCHAKELAAR passeren. Elke rij van de STROBE-INDICATOREN kan op verschillende pitchniveaus stil lijken te staan.

Opmerking: Het gebruik van sterkte TL-verlichting direct boven de platenspeler beïnvloedt de nauwkeurigheid van de STROBELAMP.



1. EP-ADAPTER

U kunt deze adapter gebruiken om standaard 7" langspeelplaten met grote middengaten af te spelen. Plaats de adapter op de MIDDENAS 7" platen.

2. STROBE-INDICATOREN

Het PLATEAU is voorzien van 4 rijen indicatoren. Deze indicatoren worden gebruikt voor een visuele vertegenwoordiging van de verschillende fases van de pitch. De indicatoren worden opgelicht door het STROBE-INDICATIELAMPJE. Elke rij kan stil lijken te staan op verschillende pitchniveaus.

Opmerking: Het gebruik van sterke TL-verlichting direct boven de platenspeler beïnvloedt de nauwkeurigheid van de STROBELAMP.

3. MIDDENAS

Deze as houdt de platen stabiel en in het midden van het PLATEAU.

4. STROBE-INDICATIELAMPJE

Dit lampje is speciaal ontworpen om een lichtbundel te schijnen op de STROBE-INDICATOREN op het PLATEAU. Dit creëert de illusie dat indicatoren op bepaalde snelheden niet draaien.

5. AAN/UIT-SCHAKELAAR

Dit is een draaibare aan/uit-schakelaar. Draai de schakelaar rechtersom om het apparaat in te schakelen. Draai de schakelaar linksom om het apparaat uit te schakelen.

6. START/STOPKNOP

Deze overmaatse drukknop regelt de plateaubeweging. Wanneer het apparaat wordt ingeschakeld, zal het plateau niet automatisch beginnen te draaien. Druk eenmaal op de knop om de motor te starten en het plateau te laten draaien, druk nogmaals op de knop om het plateau te stoppen.

7. DOELLAMP

Druk op de rechterknop om een lampje uit te schuiven die in de richting van de naald schijnt. Druk op het lampje om het lampje in te schuiven.

8. PLATEAU

Dit plateau is direct aangesloten op de middenas. Het plateau en de middenas houden een langspeelplaat perfect in het midden. Het plateau laat ook de plaat op een constante snelheid draaien.

9. KOPBEHUIZING VAN NAALD

De meegeleverde KOPBEHUIZING wordt gebruikt om de naald met de onderarm te verbinden.

10. SNELHEIDSSCHAKELAARKNOPPEN 33-/45-TPM

Druk op deze knoppen om het plateau met 33 of 45 tpm te laten draaien. Er zal een functie-LED branden wanneer deze functie is geactiveerd.

11. VERGRENDAMOER KOPBEHUIZING

Nadat de kopbehuizing op de toonarm is bevestigd, zal deze vergrendelmoet de kopbehuizing stevig vast houden op de toonarm.

12. PITCH VERSTELSCHUIF

Deze schuif wordt gebruikt om het afspeelpercentage van de pitch aan te passen (plateausnelheid).

13. TOONARMHENDEL

Deze hendel wordt gebruikt om de toonarm veilig boven een plaat te tillen, zonder de plaat te beschadigen.

14. KLEM EN HOUDER VAN TOONARM

Gebruik deze houder om de toonarm veilig vast te zetten wanneer niet in gebruik of wanneer u het apparaat verplaatst.

15. DWARSKRACHTCOMPENSATIE

De dwarskrachtcompensatie past druk toe op de toonarm richting het midden van de plaat, zodat de naald niet naar buiten over de plaat kan springen wegens de middelpuntvliedende kracht veroorzaakt door het draaien van het plateau. De waarde van de dwarskrachtcompensatie dient gelijk te zijn aan de drukwaarde van het contragewicht voor de naald.

16. CONTRAGEWICHT

Gebruik het contragewicht om de toonarm in balans te brengen en de naalddruk aan te passen.

17. EXTRA NAALDHOUDER

Deze inkeping is ontworpen om een extra kopbehuizing veilig op te bergen.

18. SCHARNIEREN VAN DE STOFKAP

Bevestigingspunten voor de scharnieren van de stofkap.

19. RCA-UITGANGEN

De uitgang kan worden gewisseld tussen PHONO/LINE-uitgang. Afhankelijk van de positie van de PHONO/LINE-schakelaar kunt u de platenspeler aansluiten op een willekeurige phono- of lijningang. Sluit de RCA-kabels (wit=linkerkanaal, rood=rechterkanaal) aan op de phono-aansluitingen van uw versterker of mixer. Sluit de aardekabel aan op de aardklem van uw versterker of mixer.

20. PHONO/LINE-SCHAKELAAR

Deze schakelaar wordt gebruikt om tussen de modi PHONO-UITGANG en LINEUITGANG te wisselen.

21. USB-POORT (maximale lengte van USB-kabels is 3 meter)

Nadat u de platenspeler via USB op de computer hebt aangesloten, kunt u d.m.v. de software de plaat opnemen op uw harddisk. U kunt de gratis software downloaden op <http://audacity.sourceforge.net/>

22. DC-INGANG

1. Technische gegevens van de meegeleverde voeding (een van de 2 opties)

Informatie	Waarde en nauwkeurigheid	Waarde en nauwkeurigheid
Naam of handelsmerk van de fabrikant, handelsregistratie en adres	HON-KWANG ELECTRIC CO.,LTD.	SHENZHEN FU JIA APPLIANCE CO., LTD.
Modelaanduiding	HK-CW-120A200-CP	FJ-SW1202000N
Ingangsspanning	AC 100-240 V	AC100-240V
Ingangsfrequentie wisselstroom	50/60 Hz	50/60Hz
Uitgangsspanning	DC 12,0 V	DC 12.0V
Uitgangsstroom	2,0 A	2.0A
Uitgang	24,0 W	24.0W
Gemiddelde actieve efficiëntie	≥86,20%	≥86.20%

Verbruik onbelast vermogen	0,1 W maximaal	0.1W Max
----------------------------	----------------	----------

2. OPMERKINGEN

- (1) Specificaties kunnen zonder voorafgaande kennisgeving worden gewijzigd.
- (2) De onderdelen zijn onderhevig aan wijzigingen binnen het specificatiebereik.

Commaxx B.V. biedt service en garantie aan overeenkomstig met de Europese wetgeving. Dit houdt in dat u, in het geval van reparaties (zowel tijdens als na de garantieperiode), contact moet opnemen met uw lokale handelaar.

Belangrijke opmerking: Het is niet mogelijk om producten die moeten worden gerepareerd rechtstreeks naar Commaxx B.V. te sturen.

Belangrijke opmerking: de garantie verloopt als een onofficieel servicecenter het apparaat op wat voor manier dan ook heeft geopend, of er toegang toe heeft gekregen.

Het apparaat is niet geschikt voor professioneel gebruik.

In het geval van professioneel gebruik worden alle garantieverplichtingen van de fabrikant nietig verklaard.

Disclaimer

Er worden regelmatig updates in de firmware en/of hardwarecomponenten gemaakt. Daardoor kunnen gedeelten van de instructie, de specificaties en afbeeldingen in deze documentatie enigszins verschillen van uw eigen situatie. Alle onderwerpen die staan beschreven in deze handleiding zijn bedoeld als illustratie en zijn niet van toepassing op specifieke situaties. Aan de beschrijving in dit document kunnen geen rechten worden ontleend.

Afvoer van het oude apparaat



Dit symbool geeft aan dat het betreffende elektrische product of de accu/batterij niet mag worden verwijderd als algemeen huishoudelijk afval in Europa. Zorg voor een juiste afvalverwerking door het product en de accu/batterij in overeenstemming met alle van toepassing zijnde lokale wetten voor het verwijderen van elektrische apparatuur of accu's/batterijen te verwijderen. Als u dit doet, helpt u de natuurlijke bronnen te behouden en de standaard van milieubescherming te verbeteren bij de behandeling en verwijdering van elektrisch afval (Afgedankte Elektrische en Elektronische Apparatuur).

CE-markering



Producten met een CE keurmerk houden zich aan de EMC richtlijn (2014/30/EC) en de Richtlijn voor Lage Voltage (2014/35/EC) uitgegeven door de Europese Commissie.

Hierbij verklaart Commaxx B.V. Wiebachstraat 37, 6466 NG Kerkrade, Nederland, dat dit product voldoet aan de essentiële eisen.

De conformiteitsverklaring kan worden geraadpleegd op techdoc@lenco.com

Service

Bezoek voor meer informatie en helpdeskondersteuning www.lenco.com

Commaxx B.V. Wiebachstraat 37, 6466 NG Kerkrade, Nederland.

ACHTUNG:

Eine andere als die hier beschriebene Benutzung der Bedienelemente oder Einstellung oder Durchführung von Abläufen kann zu einem gefährlicher Strahlung ausgesetzt werden führen.

VORSICHTSMASSNAHMEN VOR DER BENUTZUNG**BEFOLGEN SIE IMMER FOLGENDE ANWEISUNGEN:**

1. Blockieren oder bedecken Sie keine Lüftungsöffnungen. Wenn Sie das Gerät auf ein Regal stellen, lassen Sie um das gesamte Gerät 5 cm (2") freien Platz.
2. Stellen Sie das Gerät entsprechend den Anweisungen der mitgelieferten Bedienungsanleitung auf.
3. Halten Sie das Gerät von Hitzequellen wie Radiatoren, Heizern, Öfen, Kerzen oder anderen hitzeerzeugenden Produkten oder offenen Flammen fern. Das Gerät darf nur bei gemäßigttem Klima verwendet werden. Sehr kalte oder heiße Umgebungen sind zu vermeiden. Die Betriebstemperatur liegt zwischen 0 °C und 35 °C.
4. Meiden Sie bei der Benutzung des Produkts die Nähe starker Magnetfelder.
5. Elektrostatische Entladungen können die normale Benutzung dieses Geräts stören. Sollte dies geschehen, führen Sie einfach einen Reset aus und starten Sie dann das Gerät entsprechend den Anweisungen dieser Bedienungsanleitung neu. Gehen Sie besonders bei Datenübertragungen mit dem Gerät vorsichtig um und führen Sie diese nur in einer antielektrostatischen Umgebung aus.
6. **Warnung!** Niemals Gegenstände durch die Lüftungsschlitze oder Öffnungen in das Gerät stecken. In diesem Gerät fließt Hochspannung und das Hineinstecken von Gegenständen kann zu elektrischem Schock und/oder Kurzschluss interner elektrischer Bauteile führen. Spritzen/Gießen Sie aus dem gleichen Grund kein Wasser oder Flüssigkeiten auf das Gerät.
7. Benutzen Sie das Gerät nicht in nasser oder feuchter Umgebung wie Bad, Dampfküche oder in der Nähe von Schwimmbecken.
8. Das Gerät darf weder Tropf- noch Spritzwasser ausgesetzt werden und es dürfen keine mit Flüssigkeit gefüllten Behälter wie z. B. Vasen auf das Gerät oder in der Nähe des Gerätes gestellt werden.
9. Benutzen Sie das Gerät nicht, wenn Kondensation entstehen kann. Wenn Sie das Gerät in einem warmen feuchten Raum mit Dampf benutzen, dann können Wassertropfen oder Kondensation in das Gerät eindringen und u. U. zu Fehlfunktionen des Geräts führen. Schalten Sie in diesem Fall das Gerät für 1 – 2 Stunden aus, bevor Sie es erneut einschalten, wobei Sie darauf achten sollten, dass das Gerät vollständig getrocknet ist, bevor Sie es wieder einschalten.
10. Obwohl dieses Gerät unter größter Sorgfalt hergestellt und vor Auslieferung mehrmals überprüft wurde, können trotzdem wie bei jedem anderen elektrischen Gerät auch Probleme auftauchen. Trennen Sie das Gerät bei Rauchentwicklung, starker Hitzeentwicklung oder jeder anderen unnatürlichen Erscheinung sofort vom Stromnetz.
11. Dieses Gerät ist durch eine Stromquelle wie auf dem Typenschild angegeben zu betreiben. Halten Sie bei Unsicherheiten über die Art Ihrer Stromversorgung in Ihrer Wohnung Rücksprache mit Ihrem Händler oder Ihrer Stromzuliefererfirma.
12. Halten Sie das Gerät von Haustieren fern. Einige Nagetiere lieben es, an Netzkabeln zu nagen.
13. Benutzen Sie für die Reinigung ein weiches und trockenes Tuch. Benutzen Sie niemals Lösungsmittel oder Flüssigkeiten auf Ölbasis.
Benutzen Sie zum Entfernen hartnäckiger Flecken ein feuchtes Tuch mit mildem Reinigungsmittel.
14. Der Hersteller haftet nicht für Beschädigungen oder Datenverluste durch Fehlfunktion, Zweckentfremdung oder Modifikation des Geräts oder durch das Wechseln der Batterie.
15. Unterbrechen Sie die Verbindung nicht während einer Formatierung oder einer Datenübertragung. Bei Unterbrechung drohen Datenverlust und Datenbeschädigung.
16. Wenn das Gerät eine USB-Wiedergabefunktion besitzt, dann stecken Sie den USB-Stick direkt in das Gerät. Verwenden Sie kein USB-Verlängerungskabel, weil die erhöhte Störungsanfälligkeit zu Datenverlust führen kann.
17. Das Typenschild befindet sich an der Unter- oder Rückseite des Gerätes.
18. Dieses Gerät ist nicht zur Benutzung durch Personen (einschließlich Kinder) mit physischen, sensorischen oder mentalen Beeinträchtigungen oder ohne ausreichender Erfahrung vorgesehen, es sei denn, sie werden durch eine verantwortliche Person beaufsichtigt oder wurden in die ordnungsgemäße Bedienung des Gerätes durch eine für ihre Sicherheit verantwortlichen Person eingewiesen.
19. Dieses Produkt ist nur für den nicht-professionellen Gebrauch und nicht für gewerbliche oder industrielle Zwecke bestimmt.
20. Stellen Sie sicher, dass das Gerät in einer stabilen Position aufgestellt ist. Schäden, die durch Verwendung dieses Produkts in einer instabilen Position, durch Vibrationen, Stöße oder Nichtbeachtung der anderen in diesem Handbuch enthaltenen Warnungen und Sicherheitsmaßnahmen entstehen, werden nicht durch die Garantie abgedeckt.
21. Entfernen Sie niemals das Gehäuse dieses Geräts.
22. Stellen Sie dieses Gerät niemals auf andere elektrische Geräte.
23. Halten Sie Kinder von den Plastiktüten fern.
24. Benutzen Sie nur vom Hersteller spezifizierte Erweiterungen/Zubehörteile.
25. Lassen Sie alle Wartungs-/Reparaturarbeiten von qualifiziertem Servicepersonal ausführen. Reparatur/Wartung wird notwendig, wenn das Gerät in irgendeiner Weise wie beispielsweise am Netzkabel oder am Netzstecker beschädigt wurde oder wenn Flüssigkeit in das Gerät gelangt ist bzw. Gegenstände in das Gerät gefallen sind, das Gerät Regen oder Feuchtigkeit ausgesetzt war, es heruntergefallen ist oder nicht ordnungsgemäß funktioniert.
26. Langes Hören lauter Töne aus einem Musikgerät kann zum zeitweiligen oder permanenten Hörverlust führen.

27. Wenn zum Lieferumfang des Produkts ein Netzkabel oder ein Netzadapter gehört:
- Wenn irgendwelche Probleme auftreten, dann trennen Sie das Gerät vom Stromnetz und setzen Sie sich anschließend mit einer qualifizierten Fachkraft in Verbindung.
 - Treten Sie nicht auf den Netzadapter und klemmen Sie ihn auch nicht ein. Seien Sie besonders im näheren Bereich des Netzsteckers und an der Stelle vorsichtig, an der das Netzkabel aus dem Gerät herausgeführt wird. Stellen Sie keine schweren Gegenstände auf den Netzadapter, weil er dadurch beschädigt werden kann. Halten Sie das gesamte Gerät außerhalb der Reichweite von Kindern! Durch Spielen mit dem Netzkabel können sie sich ernsthafte Verletzungen zuziehen.
 - Trennen Sie das Gerät während eines Gewitters oder bei längerer Nichtbenutzung vom Netz.
 - Die Netzsteckdose muss sich in der Nähe des Geräts befinden und einfach zu erreichen sein.
 - Überlasten Sie Steckdosen und Verlängerungsleitungen nicht. Eine Überlastung kann zu Brandgefahr bzw. Stromschlag führen.
 - Geräte der Schutzklasse 1 müssen Sie an eine Netzsteckdose mit Schutzleiter anschließen.
 - Geräte der Schutzklasse 2 benötigen keinen Schutzleiteranschluss.
 - Halten Sie den Netzstecker in der Hand, wenn Sie ihn aus der Netzsteckdose ziehen. Ziehen Sie ihn nicht durch Zerren am Kabel heraus. Das kann zu einem Kurzschluss führen.
 - Verwenden Sie weder ein beschädigtes Netzkabel noch einen beschädigten Netzstecker oder eine lockere Steckdose. Missachtung kann zu Brand oder Stromschlag führen.
28. AUFSTELLEN:
- Packen Sie alle Teile aus und entfernen Sie danach die Schutzmaterialien.
 - Schließen Sie das Gerät nicht eher an das Stromnetz an, bevor Sie die Netzspannung überprüft haben und alle anderen notwendigen Verbindungen hergestellt sind.



Der Blitz mit Pfeilspitze im gleichseitigen Dreieck weist den/die Benutzer/-in auf die Anwesenheit von unisolierter gefährlicher Spannung innerhalb des Geräts und der damit verbundenen erhöhten Stromschlaggefahr hin.



Das Ausrufezeichen im gleichseitigen Dreieck weist den/die Benutzer/-in auf das Gerät betreffende wichtige Bedien-, Wartungs- und Instandhaltungshinweise in dieser Bedienungsanleitung hin.

WARNHINWEIS!

Setzen Sie dieses Gerät weder Regen noch Feuchtigkeit aus, um das Risiko eines Stromschlages oder Brandes zu minimieren. Das Gerät darf keinem spritzenden oder tropfenden Wasser ausgesetzt werden. Des Weiteren dürfen keine mit Flüssigkeiten gefüllten Gefäße wie beispielsweise Vasen auf das oder in unmittelbare Nähe des Produkts gestellt werden.



ACHTUNG: Entfernen Sie niemals eine der Abdeckungen, um das Risiko eines Stromschlages zu minimieren. Im Inneren des Geräts befinden sich keine vom/von der Benutzer/-in wartbaren Teile. Lassen Sie alle Reparatur-/Wartungsarbeiten von qualifiziertem Fachpersonal durchführen.

PRODUKTEIGENSCHAFTEN

STANDBY

Dieses Gerät besitzt einen automatischen Standby-Modus. Das Gerät wechselt nach einer Leerlaufzeit von 20 Minuten automatisch in den Standby-Modus. Im Standby-Modus beträgt die Leistungsaufnahme des Plattenspielers weniger als 0,5 W und beugt so einem unnötigen Energieverbrauch vor. Der Standby-Modus wird automatisch beendet, sobald Sie mit Hilfe einer der beiden Geschwindigkeitswahltasten eine Plattentellerdrehgeschwindigkeit einstellen.

AUTOMATISCHE ABSCHALTUNG

Automatische Abschaltung bedeutet, dass sich das Gerät automatisch abschaltet und zu drehen aufhört, wenn eine Schallplatte wiedergegeben wird, der Arm das Ende der Schallplatte erreicht und sich weitere 5 Minuten dreht. Dies geschieht auch, wenn die Nadel 5 Minuten lang keine Schallplatte berührt.

MITGELIEFERTES ZUBEHÖR

1 x Bedienungsanleitung	1 x Tonkopfeinheit	1 x 45-U/min-Adapter
1 x Cinchkabel mit L/R/Erde-Kabelpeitsche	1 x Gegengewicht	1 x UL/PSE-Steckeradapter
1 x Netzadapter	1 x USB-Kabel	1 x Staubschutzhaube
1 x Plattenteller	1 x Filzmatte	2 x Scharnier

Hinweis:

Bei den Netzteilen L-3810 und L-3828 handelt es sich um das CE- und das GB-Modell.
Dem Modell L-3828 liegt ein Tonabnehmer des Typs AT-95E bei.

ZUSAMMENBAU

Bevor Sie Ihr neues Gerät benutzen können, sind einige Zusammenbauarbeiten notwendig. Bitte befolgen Sie die nachstehenden Zusammenbauschnitte, bevor Sie Ihren neuen Plattenspieler benutzen.

Bitte vergewissern Sie sich vor Beginn der Zusammenbauarbeiten, dass alle Teile und das Zubehör ohne Beschädigung geliefert wurden.

HINWEISE:

- Schließen Sie den Netzadapter erst dann an, wenn alle Zusammenbauarbeiten abgeschlossen sind.
- Überprüfen Sie vor dem Einschalten des Geräts noch einmal alle Geräteanschlüsse. Schalten Sie den Plattenspieler immer aus, wenn Sie Geräte anschließen oder trennen.
- Lesen Sie diese Bedienungsanleitung vor der Benutzung des Geräts sorgfältig durch. Vergessen Sie nicht, diese Bedienungsanleitung für zukünftige Referenzen an einem sicheren Platz aufzubewahren.
- Setzen Sie den Tonabnehmer im TONKOPF ein, bevor Sie den Plattenspieler zusammenbauen.

Zusammenbau des Tonkopfs:

Schlagen Sie für das Einsetzen des Tonabnehmers in der Bedienungsanleitung des Tonabnehmers nach.

Setzen Sie während der Montage den Tonnadelschutz auf die Tonnadel, um sie vor Beschädigung zu schützen.

Schließen Sie die Kabel des TONKOPFS an den Anschlüssen des Tonabnehmers an. Die Tonabnehmeranschlüsse und die Kabel des TONKOPFS sind farblich kodiert. Verbinden Sie jedes Kabel mit dem Tonabnehmeranschluss der gleichen Farbe.

- Weiß (L+) Linker Kanal +
- Blau (L-) Linker Kanal –
- Rot (R+) Rechter Kanal +
- Grün (R-) Rechter Kanal –

Zusammenbauen und Einstellen des Plattenspielers:

1. AUSPACKEN:

Nehmen Sie den Plattenspieler zusammen mit dem unbeschädigten Verpackungsmaterial vorsichtig aus der Versandverpackung. Entfernen Sie das Verpackungsmaterial, nachdem Sie ihn aus der Versandverpackung herausgenommen haben. Überprüfen Sie, ob sich im Verpackungsmaterial alle Zubehörteile befinden.

2. 45-U/MIN-ADAPTER:

Nehmen Sie den 45-U/min-Adapter aus der Verpackung und setzen Sie ihn in der Aussparung für den 45-U/min-Adapter auf der Geräteoberseite ein.

3. PLATTENTELLER:

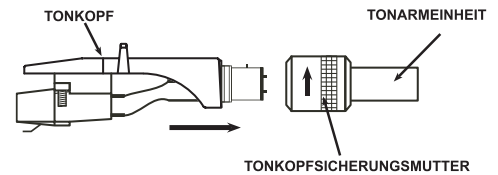
Nehmen Sie den Plattenteller aus der Verpackung und setzen Sie ihn vorsichtig mittig auf die MITTELSPINDEL auf der Oberseite des Plattenspielers.

4. ANTIRUTSCHMATTE:

Nehmen Sie die schwarze Antirutschmatte aus der Verpackung und legen Sie sie auf den PLATTENTELLER.

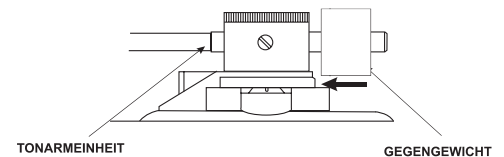
5. TONKOPF:

Setzen Sie den TONKOPF am vorderen Ende der TONARMEINHEIT ein. Drehen Sie die TONKOPFSICHERUNGSMUTTER gegen den Uhrzeigersinn, während Sie den TONKOPF fest an das vordere Ende der Tonarmeinheit drücken, um den TONKOPF an der TONARMEINHEIT zu fixieren.



6. GEGENGEWICHT:

Nehmen Sie das TONARMGEGENGEWICHT aus der Verpackung. Schieben Sie das GEGENGEWICHT auf das hintere Ende der TONARMEINHEIT. Wenn Sie das Gegengewicht zum Einfädeln leicht drehen, dann können Sie es auf das hintere Ende des Tonarms schrauben.



ANSCHLIESSEN

Es wird empfohlen, dass Sie vor dem Anschluss von Geräten auch in den jeweiligen Bedienungsanleitungen/Handbüchern der anzuschließenden Geräte nachschlagen.

1. Vergewissern Sie sich vor dem Anschluss eines Audiogerätes wie beispielsweise einer Stereoanlage oder einem Verstärker, dass dieses Audiogerät ausgeschaltet ist.

Vergewissern Sie sich, dass alle gewünschten Verbindungen hergestellt sind, bevor Sie den Netzadapter in eine Netzsteckdose stecken.

Hinweis: Halten Sie den Netzadapter so weit wie möglich vom Plattenspieler fern, um störenden Einstreuungen vorzubeugen.

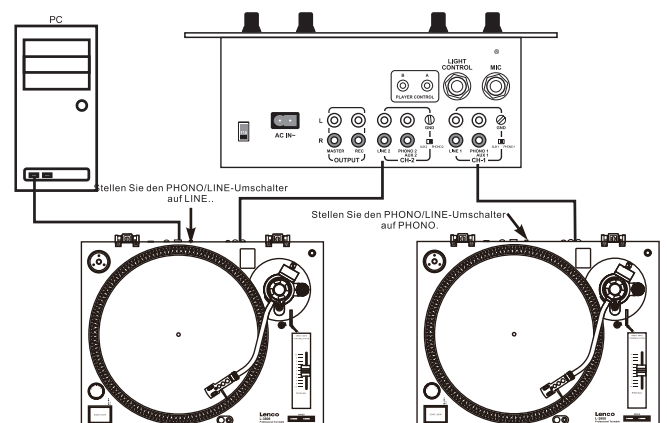
2. Wenn Sie den PHONO/LINE-Umschalter auf PHONO stellen, dann schließen Sie das Cinchkabel am PHONO-Eingang Ihres VERSTÄRKERS an. Wenn Sie den LINE-Eingang benutzen möchten, dann stellen Sie den PHONO/LINE-Umschalter auf LINE.

Ausgangsbuchsen Verstärker (Empfänger)

L (Weiß)	L-Kanal
R (Rot)	R-Kanal
GND (U-förmig)	ERDE

HINWEIS: Vergewissern Sie sich, dass die Erdungsbuchse fest mit dem Verstärker oder Empfänger verbunden ist. Wenn die Verbindung fehlt oder lose ist, dann wird ein Brummen zu hören sein.

3. Schließen Sie einen PC über ein USB-Kabel an.



Aufstellen des Plattenspielers:

1. Stellen Sie das Gerät an keinem Ort auf, wo es direkter Sonneneinstrahlung ausgesetzt ist. Stellen Sie es weiterhin nicht neben Heizgeräten jeglicher Art auf.
2. Stellen Sie das Gerät nicht an Orten mit hoher Luftfeuchtigkeit oder Staubbelastung auf.
3. Der Tonkopf kann leicht den Schalldruck oder die Schwingungen sich in der Nähe befindlicher Lautsprecher aufnehmen. Stellen Sie deshalb für beste Klangergebnisse den Plattenspieler nicht zu nah an Lautsprechern auf.
4. Stellen Sie den Lautsprecher auf einer horizontalen Oberfläche auf, die stabil und vibrationsfrei ist.
5. Die GummifüÙe sind speziell dafür konstruiert worden, um übermäßige Vibrationen vom Gerät fernzuhalten. Darüber hinaus können Sie die GummifüÙe benutzen, um den Plattenspieler zu nivellieren. Sie können die Neigung des Geräts durch Drehen der StandfüÙe in oder gegen den Uhrzeigersinn einstellen.

Tonarmbalance und Tonnadelaufgedruck:

Einstellen des horizontalen Nullpunktes und des Tonnadelaufgedrucks:

1. Nehmen Sie den Tonnadelschutz ab, falls dieser sich noch am Tonkopf befindet. Berühren Sie während der Einstellung niemals die Tonnadelspitze.
2. Senken Sie den TONARMHEBEL.
3. Entriegeln Sie die Tonarmklammer und nehmen Sie anschließend den Tonarm aus der Tonarmaufnahme.
4. Stellen Sie den ANTISKATING-Regler auf null.
5. Drehen Sie das GEGENGEWICHT solange entweder in oder gegen den Uhrzeigersinn, bis der TONARM perfekt horizontal ausbalanciert (freischwebend) ist.
6. Führen Sie den TONARM zurück zur Tonarmaufnahme und rasten Sie in dort wieder ein.
7. Halten Sie mit einer Hand das GEGENGEWICHT fest und drehen Sie nur am Tonnadelaufgedruckeinstellring solange, bis die Zahl „0“ auf dem Ring der Mittellinie auf der hinteren Tonarmwelle gegenübersteht.
8. Drehen Sie das GEGENGEWICHT solange gegen den Uhrzeigersinn, bis der Wert auf der Skale dem empfohlenen Tonnadelaufgedruck entspricht.

Hinweis: Der empfohlene Tonnadelaufgedruck des optional mit Ihrem Gerät mitlieferbaren Tonkopfs beträgt 2 Gramm. Schlagen Sie bitte für alle anderen Tonkopfsysteme in den mit dem Tonkopf mitgelieferten Spezifikationen des Herstellers nach.

Antiskating:

Mit der Antiskatingeinstellung beugen Sie einem Springen der TONARMEINHEIT über die Schallplatte aufgrund der durch die Rotation des PLATTENTELLERS verursachten Fliehkraft vor. Der ANTISKATING-Drehregler sollte auf den gleichen Wert wie der Tonnadelaufgedruck eingestellt werden. Wenn Sie beispielsweise das GEGENGEWICHT auf 2,5 Gramm eingestellt haben, dann sollten Sie für das ANTISKATING ebenfalls den Wert 2,5 einstellen.

SCHNELLSTART**Plattenspieler-Schnellstartanleitung:****1. Ändern der Plattentellergeschwindigkeit**

Ändern Sie die Plattentellergeschwindigkeit mit Hilfe der U/min-Wahltasten. Mit der 33- und 45-U/min-Wahltaste ändern Sie die Plattentellergeschwindigkeit auf die entsprechende Rotationsgeschwindigkeit ändern.

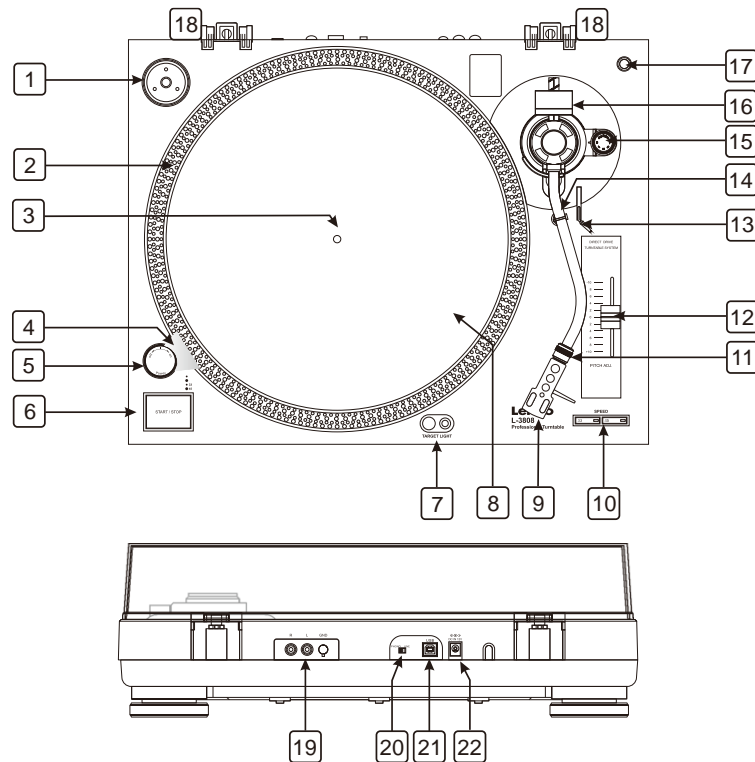
2. Starten und Stoppen des Plattentellers

Wechseln Sie mit Hilfe der START/STOP-TASTE zwischen dem Modi Plattentellerdrehung und pausierte Plattentellerdrehung.

3. Pitchfader

- (1) Die Pitcheinstellung ist die Feineinstellung der Drehgeschwindigkeit des Plattentellers.
- (2) Sie können die Drehgeschwindigkeit des Plattentellers in einem Bereich zwischen -10 % und +10 % der ausgewählten Geschwindigkeit des Plattentellers stufenlos feineinstellen.
- (3) Schieben Sie hierfür den Pitchfader nach oben oder unten.
- (4) Die STROBOSKOPANZEIGEN auf dem Rand des PLATTENTELLERS können Sie hierbei als visuelle Hilfe für die ungefähre Pitcheinstellung des Plattentellers nehmen. Diese Anzeigen werden durch die STROBOSKOP-LED angestrahlt, wenn Sie den Bereich des EIN/AUS-Schalters passieren. Bei verschiedenen Pitchstufen scheinen die einzelnen Reihen der STROBOSKOPANZEIGEN stillzustehen.

Hinweis: Durch das Benutzen starker fluoreszierender Beleuchtung direkt über dem Plattenspieler wird das Licht der STROBOSKOP-LED überlagert und führt dadurch zu einer Beeinflussung der Anzeigegenauigkeit.



1. EP-ADAPTER

Mit diesem Adapter können Sie Standard-EPs (7"-Single-EPs) mit großem Mittelloch abspielen. Stecken Sie den Adapter auf die MITTELSPINDEL, bevor Sie die 7"-EP auflegen.

2. STROBOSKOPANZEIGEN

Der PLATTENTELLER besitzt vier Anzeigereihen. Diese Anzeigen dienen der Visualisierung der verschiedenen Pitch-Stufen. Die Anzeigen werden durch die STROBOSKOP-LED angestrahlt. Jede der Reihen kann bei verschiedenen Pitch-Stufen scheinbar stillstehen.

Hinweis: Durch das Benutzen starker fluoreszierender Beleuchtung direkt über dem Plattenspieler wird das Licht der STROBOSKOP-LED überlagert und führt dadurch zu einer Beeinflussung der Anzeigegenauigkeit.

3. MITTELSPINDEL

Diese Spindel hält die auf dem Plattenteller liegende Schallplatte stabil und mittig.

4. STROBOSKOP-LED

Diese LED wurde speziell dafür designt, über Lichtimpulse die STROBOSKOPANZEIGEN auf dem PLATTENTELLER anzustrahlen. Das erzeugt den Effekt, dass einige Anzeigen bei bestimmten Geschwindigkeiten stillstehen.

5. EIN/AUS-SCHALTER

Dieser Schalter ist ein Drehschalter. Drehen Sie ihn zum Einschalten des Geräts im Uhrzeigersinn. Drehen Sie ihn zum Ausschalten des Geräts gegen den Uhrzeigersinn.

6. START/STOPP-TASTE

Über diese große Drucktaste steuern Sie die Plattentellerbewegung. Wenn Sie das Gerät einschalten, dann beginnt sich der Plattenteller nicht automatisch zu drehen. Durch Drücken dieser Taste koppeln Sie den Hochleistungsmotor ein und der Plattenteller dreht sich. Durch ein erneutes Drücken dieser Taste wird die Plattentellerdrehung gestoppt.

7. ZIELLICHT

Wenn Sie die rechte Taste drücken, dann schnellst das Ziellicht heraus und leuchtet in Richtung der Position der Tonnadel. Drücken Sie das Ziellicht nach unten, um es wieder zu versenken.

8. PLATTENTELLER

Dieser Plattenteller ist direkt mit der Mittelspindel verbunden. Der Plattenteller und die Mittelspindel halten die Schallplatte perfekt zentriert. Darüber hinaus dreht der Plattenteller die Schallplatte bei konstanter Geschwindigkeit.

9. TONKOPF

Der mitgelieferte TONKOPF verbindet die Tonnadel mit dem Tonarm.

10. 33/45-U/MIN-WAHLTASTEN

Durch Drücken der entsprechenden Taste dreht sich der Plattenteller entweder mit 33 oder 45 U/min. Bei Aktivierung der entsprechenden Tastenfunktion leuchtet die LED der jeweiligen Taste.

11. TONKOPFSICHERUNGSMUTTER

Nach dem Anbringen des Tonkopfes am Tonarm fixiert diese Sicherungsmutter den Tonkopf sicher am Tonarm.

12. PITCHFADER

Mit Hilfe dieses Schieberegler können Sie die Wiedergabetonhöhe (Plattentellergeschwindigkeit) prozentual anpassen.

13. TONARMHEBEL

Mit Hilfe dieses Hebels heben Sie den Tonarm sicher über der Schallplattenoberfläche an, ohne die Schallplatte Gefahren auszusetzen.

14. TONARMARRETIERUNG UND TONARMAUFNAHME

Diese Aufnahme hält den Tonarm während der Nichtbenutzung oder des Transports des Geräts sicher.

15. ANTISKATINGREGLER

Das Antiskating beaufschlagt den Tonarm mit einer nach innen gerichteten Kraft, um ein nach außen über die Schallplatte springen aufgrund der durch die Plattentellerdrehung entstehenden Fliehkraft zu verhindern. Der Antiskatingwert sollte genauso groß wie der Wert des Tonnadelaufgedrucks sein.

16. GEGENGEWICHT

Balancieren Sie mit Hilfe des Gegengewichts den Tonarm aus und stellen Sie mit ihm den Tonnadelaufgedruck ein.

17. ERSATZTONNADELHALTER

Diese Aussparung wurde designt, um einen Ersatztonkopf sicher aufbewahren zu können.

18. STAUBSCHUTZHAUBENSCHARNIERHALTER

Setzen Sie hier die Scharniere der Staubschutzhaube an.

19. Cinch-Ausgangsbuchsen

Der Ausgang des Plattenspielers ist ein umschaltbarer PHONO/LINE-Ausgang. Je nach Schalterstellung des PHONO/LINE-Umschalters können Sie Ihren Plattenspieler an einem PHONO- oder LINE-Eingang eines Gerätes anschließen. Schließen Sie die Cinchkabel (weiß = linker Kanal, rot = rechter Kanal) an den PHONO-Buchsen Ihres Verstärkers oder Mixers an. Verbinden Sie die Erdungsleitung mit dem Erdungsanschluss Ihres Verstärkers oder Mixers.

20. PHONO/LINE-UMSCHALTER

Mit diesem Schalter schalten Sie den Ausgangsmodus auf PHONO-AUSGANG oder LINE-AUSGANG.

21. USB-PORT (Max. USB-Kabellänge: 3 m)

Wenn Sie Ihren Plattenspieler über ein USB-Kabel mit einem Computer verbunden haben, dann können Sie die Schallplatte mit Hilfe einer Audiosoftware auf der Festplatte Ihres Computers aufzeichnen. Sie können die kostenfreie Audiosoftware auf der Webseite <http://audacity.sourceforge.net/> herunterladen.

22. DC-EINGANGSBUCHSE

1. Technische Daten des mitgelieferten Netzadapters (eine der 2 Möglichkeiten)

Information	Wert und Genauigkeit	Wert und Genauigkeit
Name des Herstellers oder der Handelsmarke, kommerzielle Zulassung und Anschrift	HON-KWANG ELECTRIC CO.,LTD.	SHENZHEN FU JIA APPLIANCE CO., LTD.
Modellidentifikator	HK-CW-120A200-CP	FJ-SW1202000N
Eingangsspannung	100 – 240 V AC	AC100-240V
Wechselstromfrequenz des AC-Eingangs	50/60 Hz	50/60Hz
Ausgangsspannung	12,0 V DC	DC 12.0V
Ausgangsstrom	2,0 A	2.0A

Ausgangsleistung	24,0 W	24.0W
Durchschnittliche Effizienz bei Normallast	≥86,20 %	≥86.20%
Leistungsaufnahme bei Nulllast	Max. 0,1 W	0.1W Max

2. HINWEISE

- (1) Die Spezifikationen können durch Produktverbesserungen nach vorheriger Absprache geändert werden.
- (2) Die Ersatzteile können durch Produktverbesserungen innerhalb des Bereiches der Spezifikationen geändert werden.

Commaxx B.V. bietet Leistungen und Garantien im Einklang mit Europäischem Recht. Setzen Sie sich deshalb im Falle von Reparaturen (sowohl während als auch nach Ablauf der Garantiezeit) mit Ihrem Fachhändler in Verbindung.

Wichtiger Hinweis: Es ist nicht möglich, Produkte für Reparaturen direkt an Commaxx B.V. zu schicken.

Wichtiger Hinweis: Wenn dieses Gerät für welchen Grund auch immer durch ein nicht offizielles Servicezentrum geöffnet wurde oder durch dieses Servicezentrum darauf zugegriffen wurde, erlischt die Garantie.

Dieses Gerät ist nicht für professionelle Zwecke geeignet. Falls das Gerät für professionelle Zwecke eingesetzt wird, erlöschen alle Garantieverpflichtungen seitens des Herstellers.

Haftungsausschluss

Aktualisierungen der Firmware und/oder Hardware-Komponenten werden regelmäßig durchgeführt. Aus diesem Grund können einige der Anleitungen, Spezifikationen und Abbildungen in dieser Dokumentation zu dem Ihnen vorliegenden Gerät leicht abweichen. Alle in diesem Handbuch beschriebenen Elemente dienen nur zur Illustration und treffen auf Ihre individuelle Situation möglicherweise nicht zu. Aus der in diesem Handbuch getätigten Beschreibung können keine Rechtsansprüche oder Leistungsanforderungen geltend gemacht werden.

Entsorgung des Altgeräts



Dieses Symbol zeigt an, dass das entsprechende Produkt oder dessen Akku/Batterie in Europa nicht mit dem normalen Hausmüll entsorgt werden darf. Um die ordnungsgemäße Abfallbehandlung des Produkts und dessen Akku/Batterie zu gewährleisten, müssen diese im Einklang mit allen anwendbaren örtlichen Vorschriften zur Entsorgung von Elektrogeräten und Akkus/Batterien entsorgt werden. Dabei helfen Sie, natürliche Ressourcen zu schonen und Umweltschutzstandards zur Verwertung und Entsorgung von Altgeräten aufrecht zu halten (Richtlinie über Entsorgung Elektrischer und Elektronischer Altgeräte).

CE-Kennzeichen



Produkte mit der CE-Kennzeichnung entsprechen der von der EU-Kommission herausgegebenen EMV-Richtlinie (2014/30/EU) und Niederspannungsrichtlinie (2014/35/EU).

Hiermit erklärt Commaxx B.V. Wiebachstraat 37, 6466 NG Kerkrade, The Netherlands, dass dieses Produkt den grundsätzlichen Anforderungen entspricht.

Die Konformitätserklärung kann unter folgendem Link abgerufen werden : techdoc@lenco.com

Service

Besuchen Sie bitte für weitere Informationen und unseren Kundendienst unsere Homepage www.lenco.com
Commaxx B.V. Wiebachstraat 37, 6466 NG Kerkrade, The Netherlands.

ATTENTION :

L'utilisation de commandes ou de réglages ou l'exécution de procédures autres que ceux spécifiés dans ce manuel peut entraîner une exposition à des rayonnements dangereux.

PRÉCAUTIONS AVANT UTILISATION**GARDEZ CES INSTRUCTIONS À L'ESPRIT :**

1. Ne couvrez pas et n'obtenez pas les ouvertures de ventilation. Lorsque vous placez l'appareil sur une étagère, laissez 5 cm (2") d'espace libre tout autour de l'appareil.
2. Réalisez l'installation conformément au mode d'emploi fourni.
3. Gardez l'appareil à l'écart des sources de chaleur telles que radiateurs, appareils de chauffage, fours, bougies et autres produits générant de la chaleur ou une flamme nue. L'appareil ne peut être utilisé que dans des climats modérés. Les environnements extrêmement froids ou chauds doivent être évités. Température de fonctionnement entre 0 et 35 °C.
4. Évitez d'utiliser l'appareil à proximité de champs magnétiques puissants.
5. Des décharges électrostatiques peuvent perturber le fonctionnement normal de cet appareil. Dans ce cas, il suffit de réinitialiser et de redémarrer l'appareil en suivant le mode d'emploi. Pendant le transfert de fichiers, manipulez l'appareil avec précaution et faites-le fonctionner dans un environnement privé d'électricité statique.
6. Avertissement ! N'introduisez jamais d'objets dans l'appareil par les ouvertures et les fentes de ventilation. Étant donné que des tensions élevées sont présentes à l'intérieur du produit, l'insertion d'objets peut entraîner une électrocution ou court-circuiter les composants internes. Pour les mêmes raisons, ne versez pas de l'eau ou un liquide sur le produit.
7. Ne l'utilisez pas dans des endroits humides tels qu'une salle de bain, une cuisine pleine de vapeur ou à proximité d'une piscine.
8. L'appareil ne doit pas être exposé à des écoulements ou des éclaboussures et aucun objet contenant un liquide, tel qu'un vase, ne doit être posé sur ou près de l'appareil.
9. N'utilisez pas cet appareil lorsque de la condensation est possible. Lorsque vous utilisez l'appareil dans une pièce chaude et humide, des gouttelettes d'eau ou de la condensation peuvent se former à l'intérieur de l'appareil. Dans ce cas, l'appareil peut ne pas fonctionner correctement. Pour éviter tout risque, laissez l'appareil hors tension pendant 1 ou 2 heures avant de le mettre en marche : l'appareil doit être totalement sec avant de le mettre en marche.
10. Bien que ce dispositif soit fabriqué avec le plus grand soin et contrôlé à plusieurs reprises avant de quitter l'usine, il est toujours possible que des problèmes se produisent, comme avec tous les appareils électriques. Si l'appareil émet de la fumée ou en cas d'accumulation excessive de la chaleur ou d'un phénomène inattendu, débranchez immédiatement la fiche d'alimentation du secteur.
11. Cet appareil doit fonctionner avec la source d'alimentation indiquée sur la plaque signalétique. Si vous n'êtes pas sûr du type d'alimentation utilisé chez vous, contactez votre revendeur ou le fournisseur local d'électricité.
12. Tenez l'appareil à l'abri des animaux. Certains animaux adorent mordre les cordons d'alimentation.
13. Pour nettoyer l'appareil, servez-vous d'un chiffon doux et sec. N'utilisez pas de solvant ni d'autre liquide à base de pétrole. Pour enlever les taches importantes, vous pouvez vous servir d'un chiffon humide imbibé d'une solution de détergent diluée.
14. Le fournisseur n'est pas responsable des dommages ou pertes de données causés par un dysfonctionnement, une utilisation abusive, une modification de l'appareil ou un remplacement de la batterie.
15. N'interrompez pas la connexion lorsque l'appareil formate ou transfère des fichiers. Dans le cas contraire, les données pourraient être endommagées ou perdues.
16. Si l'appareil dispose d'une fonction de lecture USB, il faut brancher la clé USB directement sur l'appareil. N'utilisez pas un câble d'extension USB, car cela peut causer des interférences entraînant des pertes de données.
17. La plaque signalétique se situe en dessous ou à l'arrière de l'appareil.
18. Cet appareil ne doit pas être utilisé par des personnes (enfants compris) souffrant de handicaps physiques, sensoriels ou mentaux, ou manquant d'expérience et de connaissances, sauf si elles sont sous surveillance ou ont reçu des instructions sur l'utilisation correcte de l'appareil par la personne qui est responsable de leur sécurité.
19. Ce produit est conçu pour un usage non professionnel, et non commercial ou industriel.
20. Vérifiez que l'appareil est en position stable. La garantie ne couvre pas les dégâts occasionnés par l'utilisation de cet appareil en position instable, par les vibrations, les chocs ou par la non-observation de tout autre avertissement ou précaution contenus dans ce mode d'emploi.
21. N'ouvrez jamais cet appareil.
22. Ne placez jamais cet appareil sur un autre appareil électrique.
23. Ne laissez pas les sacs en plastique à la portée des enfants.
24. Utilisez uniquement les accessoires recommandés par le fabricant.
25. Confiez l'entretien et les réparations à un personnel qualifié. Une réparation est nécessaire lorsque l'appareil a été endommagé de quelque façon que ce soit, par exemple lorsque le cordon d'alimentation ou la prise sont endommagés, lorsqu'un liquide a été renversé ou des objets ont été introduits dans l'appareil, lorsque l'appareil a été exposé à la pluie ou à l'humidité, lorsqu'il ne fonctionne pas correctement ou lorsque l'appareil est tombé.
26. Une exposition prolongée à la musique avec un volume élevé peut entraîner une perte auditive temporaire ou permanente.

27. Si l'appareil est livré avec un câble d'alimentation ou un adaptateur secteur :

- En cas de problème, débranchez le cordon d'alimentation secteur et confiez l'entretien à du personnel qualifié.
- Ne marchez pas sur l'adaptateur secteur ni le coincez. Faites très attention, en particulier près des fiches et du point de sortie du câble. Ne placez pas d'objets lourds sur l'adaptateur secteur, car vous risquez de l'endommager. Gardez l'appareil hors de portée des enfants ! Ils pourraient se blesser gravement s'ils jouent avec le câble d'alimentation.
- Débranchez cet appareil pendant les orages ou lorsqu'il n'est pas utilisé pendant une longue durée.
- La prise secteur doit être installée près de l'appareil et doit être facilement accessible.
- Ne surchargez pas les prises de courant ni les rallonges. Une surcharge peut entraîner un incendie ou une électrocution.
- Les appareils de classe 1 doivent être branchés à une prise de courant disposant d'une connexion protectrice à la terre.
- Les appareils de classe 2 ne nécessitent pas de connexion à la terre.
- Tirez toujours sur la fiche pour débrancher le cordon de la prise secteur. Ne tirez pas sur le cordon d'alimentation. Cela pourrait provoquer un court-circuit.
- N'utilisez pas un cordon ou une fiche d'alimentation endommagés ni une prise desserrée. Vous courez un risque d'incendie ou de décharge électrique.

28. INSTALLATION :

- Déballez toutes les pièces et enlevez le matériau de protection.
- Ne connectez pas l'unité au secteur avant d'avoir vérifié la tension du secteur et avant que toutes les autres connexions n'aient été effectuées.



Le symbole d'éclair avec une flèche dans un triangle équilatéral a pour objectif d'alerter l'utilisateur de la présence d'une « tension dangereuse » non isolée à l'intérieur du produit, pouvant être suffisamment élevée pour représenter un risque d'électrocution.



Le point d'exclamation dans un triangle équilatéral a pour objectif de prévenir l'utilisateur de la présence d'instructions importantes de fonctionnement et d'entretien (révision) dans la documentation accompagnant l'appareil.

ATTENTION !/AVERTISSEMENT !

Pour réduire le risque d'incendie ou d'électrocution, n'exposez pas cet appareil à la pluie ou à l'humidité. L'appareil ne doit pas être exposé aux gouttes d'eau et aux éclaboussures. En outre, aucun objet contenant des liquides, comme des vases, ne doit être posé sur l'appareil.



ATTENTION
RISQUE DE DÉCHARGE ÉLECTRIQUE
NE PAS OUVRIER



ATTENTION : pour réduire le risque d'électrocution, ne retirez aucun capot. L'utilisateur ne peut réparer aucune pièce à l'intérieur de l'appareil. Confiez tout entretien à un personnel qualifié.

VEILLE

Cet appareil dispose d'une mode veille automatique qui s'active après 20 minutes d'inactivité. En mode veille, la consommation électrique du tourne-disque est limitée à 0,5 W. Dès que le sélecteur de vitesse est réglé sur l'une des deux vitesses, l'appareil sort automatiquement du mode veille.

ARRÊT AUTOMATIQUE

La fonction d'arrêt automatique permet d'éteindre automatiquement l'appareil quand la lecture du disque se termine. La lecture se termine lorsque le bras atteint la fin du disque et après encore 5 minutes de rotation. Il en est de même si la pointe de lecture ne touche aucun disque pendant 5 minutes.

ACCESSOIRES FOURNIS

1 mode d'emploi	1 ensemble tête de lecture	1 adaptateur de disque 45 tours
1 câble RCA 2P	1 contrepoids	1 Fiche d'adaptateur secteur UL/PSE
1 adaptateur d'alimentation	1 câble USB	1 couvercle antipoussière
1 plateau	1 tapis de feutre	2 charnières

Remarque :

Pour les modèles L-3810/L-3828, la version de l'adaptateur d'alimentation correspond à celui destiné au marché européen et au Royaume-Uni.

Pour le modèle L-3828, la pointe de lecture fournie est AT-95E.

MONTAGE

Un assemblage est requis avant d'utiliser votre nouvelle unité. Veuillez suivre les instructions de montage avant d'essayer d'utiliser votre nouveau tourne-disque.

Avant de commencer le montage, veuillez vous assurer que toutes les pièces et tous les accessoires sont intacts.

REMARQUE :

- Ne branchez pas l'adaptateur d'alimentation afin d'avoir terminé l'assemblage de l'appareil.
- Avant de mettre l'appareil sous tension, vérifiez d'avoir effectué toutes les connexions. Coupez toujours l'alimentation avant de brancher ou débrancher l'appareil.
- Lisez soigneusement le manuel avant d'utiliser l'unité. Assurez-vous de ranger le manuel dans un endroit sûr pour le consulter plus tard.
- Fixez la cellule de lecture sur la TÊTE DE LECTURE avant d'assembler le tourne-disque.

Montage de la tête de lecture :

Pour installer une cellule de lecture, lisez ses instructions.

Pendant l'installation, mettez la protection de la cellule de lecture pour ne pas l'endommager.

Connectez les fils de la TÊTE DE LECTURE aux bornes de la cellule de lecture. Les bornes des cellules de lecture et les fils de la TÊTE DE LECTURE sont codés avec des couleurs. Connectez chaque fil aux bornes de la cellule de lecture de la même couleur.

Blanc (G+)	Voie de gauche +
Bleu (G-)	Voie de gauche –
Rouge (R+)	Voie de droite +
Vert (R-)	Voie de droite –

Montage du tourne-disque :**1. DÉBALLAGE DU CARTON :**

Enlevez doucement l'unité principale avec l'emballage intact de la boîte. Retirez l'emballage une fois que l'unité est enlevée du carton d'expédition. Assurez-vous que tous les accessoires sont dans l'emballage.

2. ADAPTATEUR 45 TOURS :

Repérez et enlevez l'adaptateur 45 tours de l'emballage et placez-le sur l'adaptateur 45 tours sur le dessus de l'unité.

3. PLATEAU DE TOURNE-DISQUE :

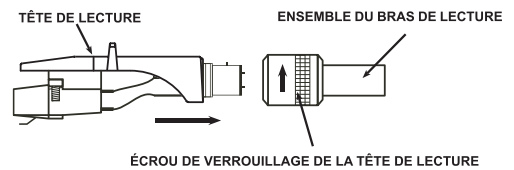
Retirez le plateau de tourne-disque de l'emballage et insérez-le doucement sur la TIGE DE CENTRAGE de la base du tourne-disque.

4. TAPIS ANTIDÉRAPANT :

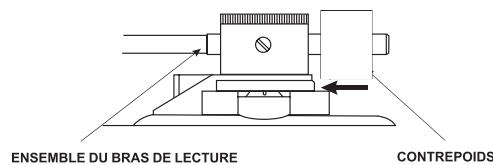
Retirez le tapis antidérapant noir de l'emballage et placez-le sur le PLATEAU.

5. TÊTE DE LECTURE :

Insérez la TÊTE DE LECTURE sur le BRAS. En tenant fermement la TÊTE DE LECTURE sur le bras, tournez l'ÉCROU DE VERROUILLAGE de la TÊTE DE LECTURE dans le sens antihoraire pour la sécuriser sur le BRAS.

**6. CONTREPOIDS :**

Repérez et retirez le CONTREPOIDS de bras de son emballage. Glissez le CONTREPOIDS à l'arrière du BRAS. Tournez-le légèrement et il se vissera sur l'arbre arrière du bras.



CONNEXIONS

Avant de connecter l'unité, il est conseillé de consulter le manuel d'instruction.

1. Avant d'effectuer les connexions, vérifiez que le dispositif audio est éteint (p. ex. un système stéréo ou un amplificateur).

Avant de brancher l'adaptateur d'alimentation à la prise électrique, vérifiez d'avoir effectué toutes les connexions.

Remarque : pour éviter les interférences sonores, placez le bloc de l'adaptateur d'alimentation aussi loin que possible de votre tourne-disque.

2. Connectez le câble RCA sur l'entrée PHONO de l'AMPLIFICATEUR quand vous mettez le commutateur PHONO/LINE en position PHONO. Vous pouvez également utiliser une entrée de ligne en mettant le commutateur PHONO/LINE à l'arrière du tourne-disque sur LINE.

Bornes de sortie

G (Blanc)
D (Rouge)
TERRE (Bêche)

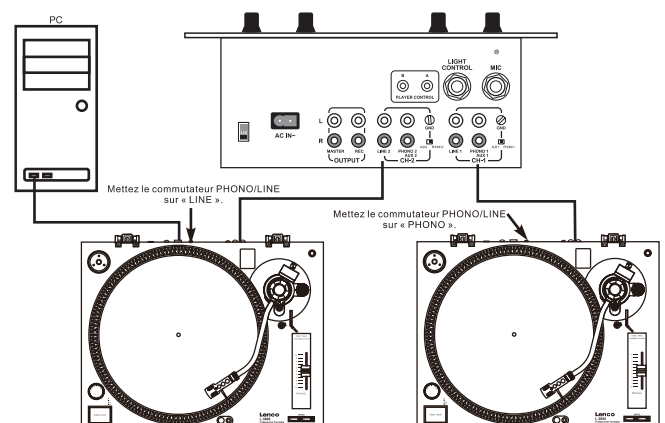
Amplificateur (récepteur)

VOIE G
VOIE D
TERRE

REMARQUE : vérifiez de connecter fermement la borne de terre à l'amplificateur ou au récepteur.

Si la connexion n'est pas correcte ou desserrée, l'appareil pourrait produire un son « HUM ».

3. Connectez l'ordinateur avec le câble USB.



Installation de tourne-disque :

1. Ne placez pas l'appareil sous les rayons directs du soleil ou près d'un appareil de chauffage.
2. Ne placez pas l'appareil dans un endroit très humide ou plein de poussière.
3. La cellule peut capter une légère pression sonore ou des vibrations des haut-parleurs situés à proximité. Pour de meilleurs résultats, n'installez pas cet appareil trop près des haut-parleurs.
4. Installez cet appareil sur une surface horizontale et stable et ne subissant pas de vibration.
5. Les pieds en caoutchouc sont spécialement conçus pour isoler l'appareil des fortes vibrations. Les pieds peuvent aussi servir à stabiliser l'ensemble horizontalement. Ajustez la hauteur de l'unité en tournant le pied dans le sens horaire ou antihoraire.

Équilibre du bras et pression sur la pointe de lecture :

Ajustement de l'équilibre du zéro horizontal et pression sur la pointe de lecture :

1. Retirez le cache protecteur de la pointe, le cas échéant. Ne touchez jamais la pointe de lecture au cours du réglage.
2. Baissez le LEVIER DE BRAS.
3. Libérez la pince d'arrêt de bras et enlevez le bras de son support.
4. Réglez l'ANTIPATINAGE (compensation de force centripète) sur zéro.
5. Tournez le CONTREPOIDS dans un sens ou un autre jusqu'à ce que le BRAS soit en équilibre horizontal (bouge librement).
6. Remettez le BRAS sur son support et bloquez-le en place.
7. Maintenez en place le CONTREPOIDS avec une main et ne tournez que la bague de pression de pointe de lecture pour amener le « 0 » de la bague en alignement avec la ligne centrale de l'arbre arrière du bras.
8. Tournez le CONTREPOIDS dans le sens antihoraire jusqu'à ce que la valeur sur l'échelle corresponde à la pression recommandée sur la pointe de lecture.

Remarque: la pression recommandée sur la pointe de lecture de la cellule de lecture en option pouvant être fournie avec l'appareil est de 2 g. Pour tous les autres systèmes de cellule de lecture, reportez-vous aux spécifications de son fabricant.

MISE EN PLACE

Antipatinage :

Le réglage de l'antipatinage empêche l'ENSEMBLE DU BRAS DE LECTURE de glisser à travers le disque par la force centrifuge due à la rotation du PLATEAU. Le bouton de contrôle de l'ANTIPATINAGE doit être réglé sur la même valeur que la pression sur la pointe de lecture. Par exemple, si le CONTREPOIDS est réglé sur 2,5 g, la valeur d'ANTIPATINAGE doit également être réglée sur 2,5.

DÉMARRAGE RAPIDE

Démarrage rapide du tourne-disque :**1. Réglage de la vitesse du plateau**

Utilisez les sélecteurs de vitesse de rotation pour régler la vitesse du plateau. Les sélecteurs 33 tours et 45 tours changent la vitesse de rotation du plateau respectivement.

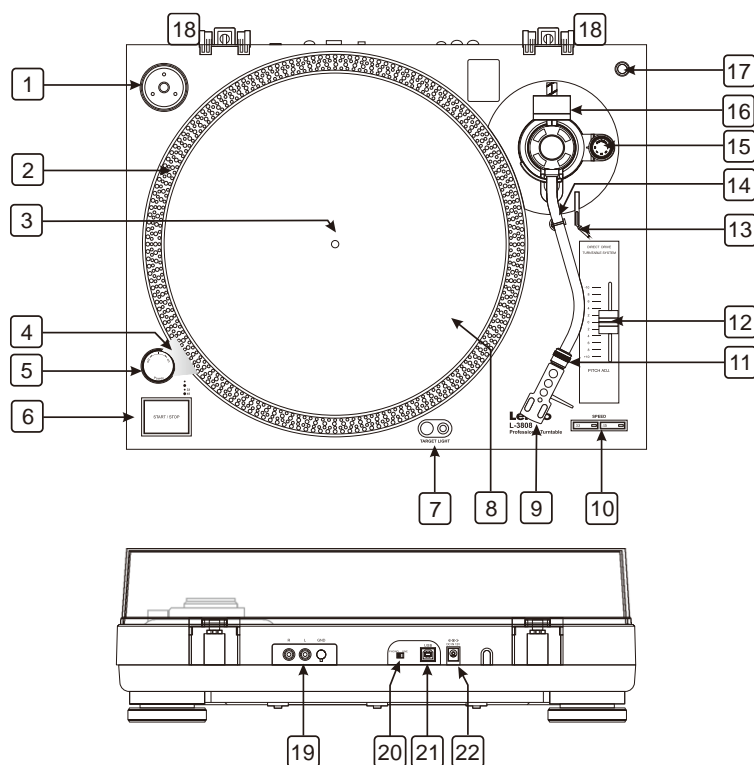
2. Démarrage et arrêt du plateau

Utilisez le BOUTON START/STOP pour passer de la rotation à la pause du plateau et inversement.

3. Contrôle d'écartement

- (1) Le réglage de l'écartement est un réglage précis en fonction de la vitesse du plateau.
- (2) Le réglage de l'écartement est variable et peut être réglé entre -10 % et +10 % selon la vitesse sélectionnée du plateau.
- (3) L'écartement est changé en glissant la glissière d'écartement en haut ou en bas.
- (4) Les INDICATEURS STROBOSCOPIQUES sur le bord du PLATEAU permettent de visualiser l'écartement approximatif du plateau. Ces indicateurs sont illuminés par la LAMPE TÉMOIN STROBOSCOPIQUE quand ils passent par le COMMUTATEUR D'ALIMENTATION. À différentes vitesses, chaque rangée des INDICATEURS STROBOSCOPIQUES peut sembler immobile.

Remarque : l'utilisation d'un éclairage fluorescent intense directement au-dessus du tourne-disque annule l'effet de la LAMPE TÉMOIN STROBOSCOPIQUE et affecte la précision de l'indicateur.



1. ADAPTATEUR EP

Cet adaptateur vous permet de lire des disques vinyle de 7" (17 cm) avec de grands trous centraux. Placez l'adaptateur sur la TIGE CENTRALE pour les disques 7".

2. INDICATEURS STROBOSCOPIQUES

Le PLATEAU est muni de quatre rangées d'indicateurs. Ces indicateurs servent à détailler visuellement les divers stades de vitesse. Les indicateurs sont éclairés par la LAMPE STROBOSCOPIQUE. Chaque rangée paraît immobile aux différentes vitesses.

Remarque : l'utilisation d'un éclairage fluorescent intense directement au-dessus du tourne-disque annule l'effet de la LAMPE TÉMOIN STROBOSCOPIQUE et affecte la précision de l'indicateur.

3. TIGE CENTRALE

Cette tige maintient les disques stables et centrés sur le PLATEAU de tourne-disque.

4. LAMPE STROBOSCOPIQUE

C'est une lampe spécialement conçue pour envoyer des impulsions de lumière sur les INDICATEURS STROBOSCOPIQUES du PLATEAU de tourne-disque. Elle donne l'illusion que les indicateurs ne bougent pas à certaines vitesses.

5. INTERRUPTEUR MARCHE/ARRÊT

C'est un interrupteur rotatif. Pour mettre sous tension, tournez l'interrupteur dans le sens horaire. Pour couper l'alimentation, tournez l'interrupteur dans le sens antihoraire.

6. BOUTON MARCHE/ARRÊT

Ce grand bouton-poussoir contrôle le mouvement du plateau. Quand l'unité est sous tension, le plateau ne tourne pas automatiquement. Appuyez une fois sur le bouton pour enclencher le moteur de couple élevé et le plateau tourne ; appuyez une fois de plus pour arrêter le plateau.

7. LUMIÈRE CIBLE

Appuyez sur le bouton de droite et une lumière apparaîtra, dirigée vers la position de la pointe de lecture. Pour éteindre, appuyez directement sur la lumière.

8. PLATEAU

Ce plateau est directement connecté à la tige centrale. Le plateau et la tige centrale maintiennent le disque parfaitement centré. Le plateau fait aussi tourner le disque à une vitesse constante.

9. TÊTE DE POINTE DE LECTURE

La tête de lecture fournie permet de raccorder votre pointe de lecture au bras.

10. SÉLECTEURS DE VITESSE 33/45 TR/MIN

Appuyez sur ces boutons pour régler la vitesse du plateau à 33 ou 45 tr/min. Un voyant lumineux s'allume quand cette fonction est activée.

11. ÉCROU DE VERROUILLAGE DE LA TÊTE DE LECTURE

Après avoir fixé la tête de lecture sur le bras, l'écrou de verrouillage sécurise la tête sur le bras.

12. AJUSTEUR D'ÉCARTEMENT DE GLISSEUR

Le glisseur est utilisé pour ajuster le pourcentage d'écartement de lecture (vitesse de plateau).

13. LEVIER DE BRAS

Ce levier permet de lever le bras au-dessus de la surface du disque sans abîmer sa surface.

14. PINCE D'ARRÊT ET SUPPORT DE BRAS

Utilisez ce support pour maintenir le bras sécurisé en position quand il n'est pas utilisé ou pour le transport.

15. CONTRÔLE ANTIPATINAGE

L'antipatinage applique une force vers l'intérieur sur le bras pour l'empêcher de traverser le disque en raison de la force centrifuge due à la rotation du plateau. La valeur d'antipatinage doit être égale à celle de la pression du contrepoids de pointe de lecture.

16. CONTREPOIDS

Utilisez le contrepoids pour équilibrer le bras et régler la pression de la pointe de lecture.

17. SUPPORT DE POINTE DE LECTURE SUPPLÉMENTAIRE

Ce moulage a été conçu pour stocker en sécurité une tête de lecture supplémentaire.

18. SUPPORT DE CHARNIÈRE POUR COUVERCLE ANTIPOUSSIÈRE

Points d'attache des charnières du couvercle antipoussière.

19. PRISES DE SORTIE RCA

La sortie est commutable sur PHONO/LINE. En fonction de la position de commutateur phono/line, vous pourrez connecter toute entrée phono ou de ligne. Branchez les câbles RCA (blanc = voie de gauche, rouge = voie de droite) aux connecteurs phono de votre amplificateur ou table de mixage. Branchez le fil de terre à la borne de terre de votre amplificateur ou table de mixage.

20. COMMUTATEUR PHONO/LINE

Ce commutateur sert à changer le mode SORTIE PHONO ou SORTIE LINE.

21. PRISE USB (câble USB de moins de 3 m)

Après avoir connecté le tourne-disque à l'ordinateur par le port USB, vous pourrez enregistrer votre vinyle sur votre disque dur avec le logiciel. Téléchargez le logiciel gratuit en suivant le lien <http://audacity.sourceforge.net/>

22. PRISE D'ENTRÉE CC

1. Caractéristiques techniques du bloc d'alimentation fourni (l'une des 2 possibilités)

Informations	Valeur et précision	Valeur et précision
Nom ou marque du fabricant, enregistrement commercial et adresse	HON-KWANG ELECTRIC CO., LTD.	SHENZHEN FU JIA APPLIANCE CO., LTD.
Référence du modèle	HK-CW-120A200-CP	FJ-SW1202000N
Tension d'entrée	100 à 240 V CA	AC100-240V
Fréquence d'entrée CA	50/60 Hz	50/60Hz
Tension de sortie	12 V CC	DC 12.0V
Courant de sortie	2 A	2.0A
Puissance de sortie	24 W	24.0W
Rendement moyen en mode actif	≥ 86,2 %	≥86.20%
Consommation électrique sans charge	0,1 W max.	0.1W Max

2. REMARQUE

- (1) Les spécifications sont susceptibles d'être modifiées pour être améliorées par des négociations préalables.
- (2) Les pièces sont soumises à des modifications pour toute amélioration dans le cadre des spécifications.

Commaxx B.V. propose un service et une garantie conformément à la législation européenne, ce qui signifie qu'en cas de besoin de réparation (aussi bien pendant et après la période de garantie), vous pouvez contacter votre revendeur le plus proche.

Remarque importante : il n'est pas possible de renvoyer l'appareil pour réparation directement à Commaxx B.V.

Remarque importante : si l'appareil est ouvert ou modifié de quelque manière que ce soit par un réparateur non agréé, la garantie sera caduque.

Cet appareil ne convient pas à une utilisation professionnelle. En cas d'utilisation professionnelle, les obligations de garantie du fabricant seront annulées.

Clause de non-responsabilité

Des mises à jour du logiciel ou des composants informatiques sont régulièrement effectuées. Il se peut donc que certaines instructions, caractéristiques et images présentes dans ce document diffèrent légèrement de votre configuration spécifique. Tous les articles décrits dans ce guide sont fournis uniquement à des fins d'illustration et peuvent ne pas s'appliquer à une configuration spécifique. Aucun droit légal ne peut être obtenu depuis les informations contenues dans ce manuel.

Mise au rebut de l'appareil usagé



Ce symbole indique que l'appareil électrique concerné ainsi que les piles ne doivent pas être jetés avec les autres déchets ménagers en Europe. Pour garantir un traitement correct des piles et de l'appareil usagés, veuillez les mettre au rebut conformément aux réglementations locales en vigueur relatives aux appareils électriques et autres piles. En agissant de la sorte, vous contribuerez à la préservation des ressources naturelles et à l'amélioration des niveaux de protection environnementale concernant le traitement et la destruction des déchets électriques (directive sur les déchets des équipements électriques et électroniques).

Marquage CE



Les produits avec la marque CE sont conformes à la directive CEM (2014/30/CE) et à la directive basse tension (2014/35/CE) émises par la Commission de la Communauté européenne.

Par la présente, Commaxx B.V. Wiebachstraat 37, 6466 NG Kerkrade, Pays-Bas, déclare que ce produit est conforme aux exigences principales.

La déclaration de conformité peut être consultée au lien : techdoc@lenco.com

Service après-vente

Pour en savoir plus et obtenir de l'assistance, visitez www.lenco.com

Commaxx B.V. Wiebachstraat 37, 6466 NG Kerkrade, Pays-Bas.

PRECAUCIÓN:

el uso de controles o ajustes distintos, o llevar a cabo procedimientos distintos a aquéllos aquí especificados puede tener como consecuencia una exposición peligrosa a la radiación.

PRECAUCIONES PREVIAS AL USO**TENGA ESTAS INSTRUCCIONES EN MENTE:**

1. No cubra o bloquee ninguna apertura de ventilación. Cuando coloque el dispositivo en una estantería, deje 5 cm (2") de espacio libre alrededor de todo el dispositivo.
2. Instálelo conforme al manual de usuario que se adjunta.
3. Mantenga el aparato alejado de fuentes de calor, como radiadores, calentadores, estufas, velas u otros productos que generen calor o llama viva. El aparato solo puede usarse en climas moderados. Se deben evitar los ambientes extremadamente fríos o cálidos. Temperatura de funcionamiento entre 0 ° y 35 °C.
4. Evite usar el dispositivo cerca de campos magnéticos fuertes.
5. Una descarga electrostática puede entorpecer el uso normal de este dispositivo. En tal caso, simplemente reinícielo siguiendo el manual de instrucciones. Durante la transmisión de archivos, por favor manéjelo con cuidado opérelo en un entorno libre de electricidad estática.
6. ¡Advertencia! Nunca inserte un objeto en el producto a través de las ventilaciones o aperturas. Alto voltaje fluye a través del producto e insertar un objeto puede provocar una descarga eléctrica y/o un cortocircuito de sus componentes internos. Por el mismo motivo, no derrame agua o líquidos en el producto.
7. No lo utilice en zonas húmedas, como cuartos de baño, cocinas en las que se forme vapor ni cerca de piscinas.
8. El aparato no debe exponerse a goteos o salpicaduras y asegúrese de que se colocan sobre o cerca del aparato objetos llenos de líquidos, como jarrones.
9. No use este dispositivo cuando se pueda producir condensación. Cuando utilice la unidad en una habitación húmeda y cálida con humedad, pueden generarse gotas de agua o condensación dentro de la unidad y es posible que no funcione correctamente; apague la unidad durante 1 o 2 horas antes de encenderla de nuevo: el aparato debe estar seco antes de conectarse a una fuente de alimentación.
10. Aunque este dispositivo está fabricado con el máximo cuidado y comprobado varias veces antes de salir de fábrica, todavía es posible que se puedan producir problemas, al igual que con todos los aparatos eléctricos. Si observa la aparición de humo, una acumulación excesiva de calor o cualquier otro fenómeno inesperado, deberá desconectar inmediatamente el enchufe de la toma de corriente.
11. Este dispositivo debe funcionar con una fuente de alimentación que se especifica en la etiqueta de especificaciones. Si no está seguro del tipo de alimentación que se usa en su hogar, consulte con el distribuidor o una compañía eléctrica local.
12. Manténgalo alejado de los animales. A algunos animales les gusta morder los cables de alimentación.
13. Para limpiar el dispositivo use un paño seco y suave. No utilice líquidos disolventes ni con base de petróleo. Para eliminar manchas difíciles, puede usar un paño húmedo con detergente diluido.
14. El proveedor no asume ninguna responsabilidad por daños o datos perdidos provocados por un funcionamiento incorrecto, uso incorrecto, modificación del dispositivo o sustitución de la batería.
15. No interrumpa la conexión cuando el dispositivo esté formateando o transfiriendo archivos. En caso contrario, los datos se pueden estropear o perder.
16. Si la unidad dispone de función de reproducción USB, se debe conectar la memoria USB directamente en la unidad. No utilice cables de extensión USB ya que pueden crear interferencias que causen una pérdida de datos.
17. La etiqueta de calificación aparece marcada en el panel inferior o posterior del dispositivo.
18. Este aparato no está diseñado para su uso por personas (incluyendo niños) con discapacidades físicas, sensoriales o mentales o con falta de experiencia o conocimientos, salvo que estén bajo la supervisión o hayan recibido formación sobre el uso correcto del dispositivo por parte de una persona responsable de su seguridad.
19. Este producto está diseñado para un uso no profesional únicamente y no para un uso comercial o industrial.
20. Asegúrese de que la unidad esté fijada en una posición estable. La garantía no cubrirá los daños derivados de usar este producto en una posición inestable, vibraciones o golpes o por no seguir otras advertencias o precauciones que aparecen en este manual de usuario.
21. Nunca retire la carcasa del dispositivo.
22. Nunca coloque este dispositivo sobre otro equipo eléctrico.
23. Mantenga las bolsas de plástico fuera del alcance de los niños.
24. Use únicamente los dispositivos/accesorios especificados por el fabricante.
25. Remita todas las reparaciones al personal cualificado. Es necesario el mantenimiento cuando el dispositivo presenta daños en cualesquiera manera, como el cable de alimentación o el enchufe, cuando se haya vertido líquido o se hayan caído objetos en el dispositivo, cuando el dispositivo se haya expuesto a la lluvia o humedad, cuando no funcione normalmente o cuando se haya caído.
26. Una larga exposición a sonidos elevados de reproductores de música personales puede provocar una pérdida de audición temporal o permanente.

27. Si el producto viene con un cable de alimentación o un adaptador de corriente de CA:
- Si se produce cualquier problema, desconecte el cable de alimentación CA y remítase al mantenimiento de personal cualificado.
 - No pise o pince el adaptador de alimentación. Tenga mucho cuidado, en especial cerca de las tomas y el punto de salida del cable. No coloque objetos pesados en el adaptador de alimentación, ya que pueden dañarlo. ¡Mantenga el dispositivo fuera del alcance de los niños! Si juegan con el cable de alimentación, puede sufrir lesiones graves.
 - Desconecte el dispositivo durante tormentas eléctricas o cuando no vaya a usarse durante periodos prolongados de tiempo.
 - La salida de la toma debe instalarse cerca del equipo y debe ser fácilmente accesible.
 - No sobrecargue las tomas CA o los cables de extensión. La sobrecarga puede provocar un incendio o una descarga eléctrica.
 - Los dispositivos con construcción de Clase 1 deben estar conectados a una toma de corriente con una conexión a tierra protegida.
 - Los dispositivos con construcción Clase 2 no requieren una conexión a tierra.
 - Sujete siempre el enchufe cuando los extraiga de la toma de corriente. No tire del cable de alimentación. Esto puede provocar un cortocircuito.
 - No utilice un cable de alimentación o enchufe deteriorado o una toma suelta. Si lo hace, podría provocar un incendio o una descarga eléctrica.
28. INSTALACIÓN:
- Desembale todas las piezas y retire el material protector.
 - No conecte la unidad a la corriente eléctrica antes de comprobar la tensión de la corriente y antes de que se hayan hecho todas las demás conexiones.



El símbolo de un rayo con punta de flecha dentro de un triángulo equilátero sirve para alertar al usuario de la presencia de tensión peligrosa sin aislar dentro de la carcasa de la unidad, que puede ser de magnitud suficiente como para constituir un riesgo de descarga eléctrica.



El signo de exclamación dentro de un triángulo equilátero sirve para alertar al usuario de instrucciones de funcionamiento y mantenimiento (reparación) importantes en los documentos adjuntos al aparato.

¡ADVERTENCIA!

Para reducir el riesgo de incendio o de descarga eléctrica, no exponga este dispositivo a la lluvia o a la humedad. No se debe exponer el dispositivo a goteos o salpicaduras de agua. Además, no deben colocarse sobre el dispositivo objetos llenos de líquidos, como jarrones.



PRECAUCIÓN: Para reducir el riesgo de una descarga eléctrica, no retire la cubierta. No hay piezas utilizables por el usuario en el interior del dispositivo. Las reparaciones solo deben realizarlas técnicos cualificados.

ESPERA

Este dispositivo se ofrece con un modo en espera automático que se active automáticamente después de 20 minutos de ausencia de uso. En modo en espera, el consume energético del tocadiscos se reduce a menos de 0.5 vatios para evitar un consume energético innecesario. Se interrumpirá automáticamente el modo en espera tan pronto como el selector de velocidad se fije en una de las dos velocidades.

APAGADO AUTOMÁTICO

El apagado automático significa que, cuando el disco se está reproduciendo y el brazo llega al final y gira otros 5 minutos, el dispositivo se apagará automáticamente y dejará de girar. Lo mismo sucede si la aguja no entra en contacto con ningún disco durante 5 minutos.

ACCESORIOS SUMINISTRADOS

1 manual de instrucciones	1 cabeza de fonógrafo	1 adaptador de 45 rpm
1 cable RCA 2P	1 contrapeso	1 toma de transferencia UL/PSE
1 adaptador de alimentación	1 cable USB	1 cubierta de polvo
1 plato	1 alfombrilla de fieltro	2 quicios

Comentarios:

[Para el adaptador de potencia, L-3810 / L-3828 son las versiones de la CE y el Reino Unido](#)

[Para el L-3828, el cartucho entregado es el AT-95E](#)

MONTAJE

Es necesario montar la nueva unidad antes de empezar a usarla. Lea las siguientes instrucciones de montaje antes de intentar usar su nuevo tocadiscos.

Antes de empezar con el montaje, asegúrese de que todas las piezas y accesorios hayan llegado intactos.

NOTA:

- No conecte el adaptador de alimentación antes de que se haya completado el montaje.
- Antes de encender la alimentación, asegúrese una vez más de todas las conexiones. Apague siempre la unidad al conectarla o desconectarla.
- Lea cuidadosamente este manual antes de usar la unidad. Asegúrese de guardar el manual en un lugar seguro para futuras consultas.
- Conecte un cartucho con aguja a la CARCASA antes de montar la unidad tocadiscos.

Montaje de la carcasa:

Cuando instale un cartucho, consulte las instrucciones de funcionamiento.

Coloque el protector de aguja para proteger la punta de la aguja de daños durante la instalación.

Conecte los cables de la CARCASA a los terminales del cartucho. Los terminales del cartucho y los cables de la CARCASA están codificados con colores. Conecte cada cable a los terminales del cartucho del mismo color.

Blanco (L+)	Canal izquierdo +
Azul (L-)	Canal izquierdo –
Rojo (R+)	Canal derecho +
Verde (R-)	Canal derecho –

Montaje del tocadiscos:**1. SACARLO DE LA CAJA:**

Saque cuidadosamente la unidad principal de la caja con el material de embalaje intacto. Quite el material de embalaje después de sacar la unidad de la caja de transporte. Asegúrese de encontrar todos los accesorios en el material de embalaje.

2. ADAPTADOR DE 45:

Encuentre y saque el adaptador de 45 rpm del material de embalaje y colóquelo en el recorte para el adaptador de 45 de la parte superior de la unidad principal.

3. PLATO DEL TOCADISCOS:

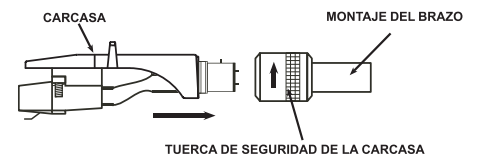
Saque el plato del tocadiscos del material de embalaje e inserte el plato suavemente en el PERNO CENTRAL de la base de la unidad tocadiscos.

4. ALFOMBRILLA:

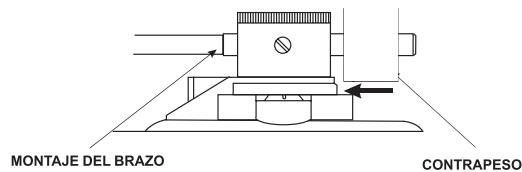
Saque la alfombrilla negra del embalaje y colóquela sobre el PLATO.

5. CARCASA:

Inserte la CARCASA en el extremo frontal del CONJUNTO DEL BRAZO. Sostenga firmemente la CARCASA en el extremo frontal del conjunto del brazo y gire la TUERCA DE SEGURIDAD DE LA CARCASA en sentido contrario a las agujas del reloj para asegurar la CARCASA en el CONJUNTO DEL BRAZO.

**6. CONTRAPESO:**

Encuentre y saque el CONTRAPESO del brazo del embalaje. Deslice el CONTRAPESO hacia la parte trasera del CONJUNTO DEL BRAZO. Gírelo ligeramente y se atornillará en el eje trasero del brazo.

**CONEXIONES**

Se recomienda consultar el manual de instrucciones de su equipo actual antes de conectar la unidad.

- Asegúrese de apagar el dispositivo de audio, como un sistema estéreo o un amplificador, antes de realizar la conexión. Asegúrese de realizar todas las conexiones antes de conectar el adaptador de alimentación en la toma de corriente.
Nota: Para evitar las interferencias del ruido, coloque el adaptador de alimentación alejado del tocadiscos en la medida de lo posible.
- Conecte el cable RCA a la entrada FONÓGRAFO del AMPLIFICADOR cuando coloque el interruptor PHONO/LINE en la posición PHONO. También puede usar una entrada de línea colocando el interruptor PHONO/LINE de la parte trasera del tocadiscos en LINE.

Terminales de salida

L (blanco)
R (rojo)
GND (Horquilla)

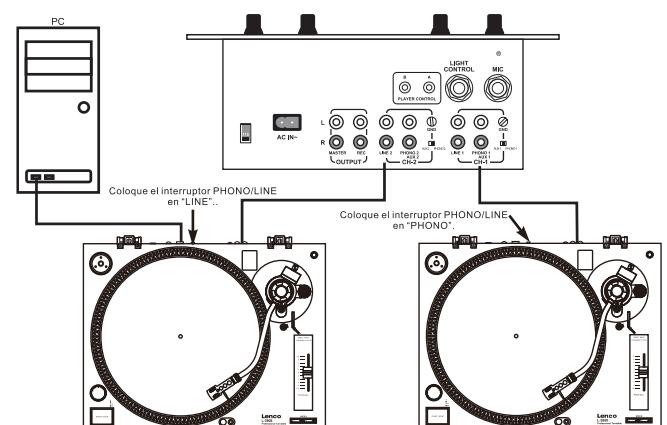
Amplificador (receptor)

Canal izquierdo
Canal derecho
GND

NOTA: Asegúrese de conectar bien la terminal a tierra al amplificador o receptor.

Si no se realiza esta conexión o está floja, se provocará un "PITIDO" de la fuente de alimentación.

- Conéctelo al PC con el cable USB.



Instalación del tocadiscos:

1. No coloque la unidad en un lugar expuesto a la luz directa del sol ni cerca de un aparato de calefacción de cualquier tipo.
2. No coloque la unidad en un lugar con un nivel de humedad elevado o con mucho polvo.
3. El cartucho puede recoger una ligera presión o vibración del sonido de los altavoces cercanos. No instale esta unidad muy cerca de altavoces para conseguir los mejores resultados.
4. Instale esta unidad en una superficie horizontal estable y sin vibraciones.
5. Los pies de goma han sido diseñados especialmente para aislar la unidad de vibraciones excesivas. También se pueden usar los pies para estabilizar horizontalmente el cuerpo principal. Ajuste la altura de la unidad girando los pies en el sentido de las agujas del reloj o en sentido contrario.

Equilibrio del brazo y presión de la aguja:

Ajuste del equilibrio horizontal cero y de la presión de la aguja:

1. Retire la cubierta protectora de la aguja, si está equipada. Nunca toque la punta de la aguja durante el ajuste.
2. Baje la PALANCA DEL BRAZO.
3. Libere la abrazadera del brazo y retire el brazo del apoyabrazos.
4. Ajuste el ANTIPATINAJE en cero.
5. Gire el CONTRAPESO en cualquier dirección hasta que el BRAZO esté perfectamente equilibrado en horizontal (flotando libremente).
6. Vuelva a colocar el BRAZO sobre el apoyabrazos y fíjelo.
7. Mantenga el BRAZO inmóvil con una mano y gire solo el anillo de presión de la aguja para alinear el número "0" del anillo con la línea central del eje trasero del brazo.
8. Gire el contrapeso en dirección contraria a las agujas del reloj hasta llegar al valor de la escala correspondiente a la presión recomendada de la aguja.

Nota: La presión recomendada de la aguja del cartucho opcional que puede venir incluido con su unidad es 2 gramos. Para otros sistemas de cartucho, consulte las especificaciones del fabricante incluidas con el cartucho.

INSTALACIÓN

Antipatinaje:

El ajuste antipatinaje evita que el CONJUNTO DEL BRAZO salte en el disco por la fuerza centrífuga causada por la rotación del PLATO. Se debe ajustar la perilla de control ANTIPATINAJE con el mismo valor que la presión de la aguja. Por ejemplo, si el CONTRAPESO está ajustado en 2,5 gramos, el valor de ANTIPATINAJE también debe estar ajustado en 2,5.

INICIO RÁPIDO

Inicio rápido del tocadiscos:

1. Cambiar la velocidad del plato

Use los selectores de RPM para cambiar la velocidad del plato. Los selectores de velocidad de 33 rpm y 45 rpm cambian la rotación del plato respectivamente.

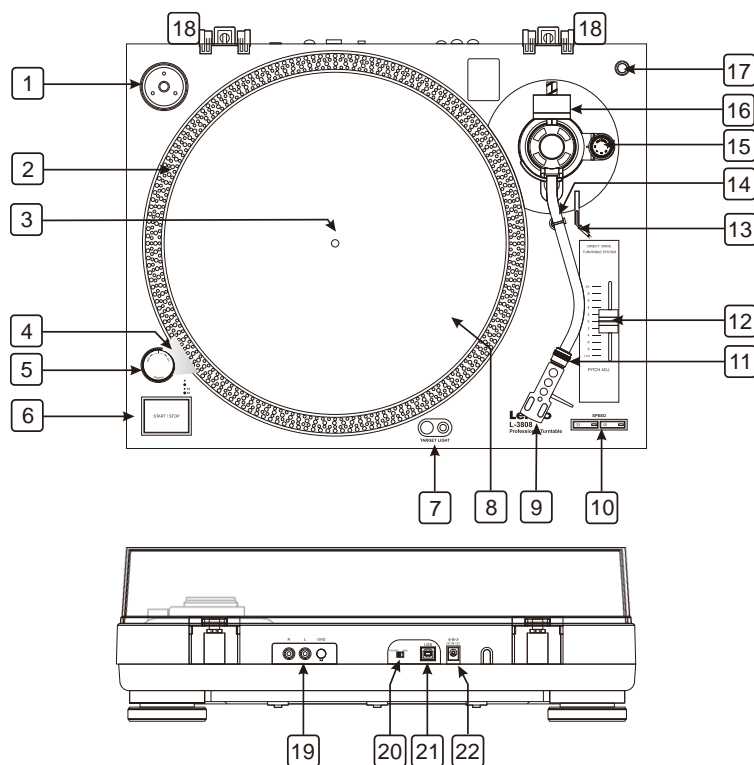
2. Arranque y parada del plato

Use el BOTÓN START/STOP para alternar entre los modos de rotación y pausa del plato.

3. Control de modulación

- (1) El ajuste de la modulación es un ajuste fino de las rpm del plato.
- (2) El ajuste de la modulación es variable y se puede ajustar entre -10% y +10% de la velocidad del plato seleccionada.
- (3) La modulación se cambia subiendo y bajando el deslizador de modulación.
- (4) Se pueden usar los INDICADORES ESTROBOSCÓPICOS en el borde del PLATO para ver una visualización aproximada de la modulación del plato. La LUZ PILOTO INDICADORA ESTROBOSCÓPICA ilumina estos indicadores cuando pasan por el INTERRUPTOR DE CORRIENTE. Es posible que cada fila de INDICADORES ESTROBOSCÓPICOS quede quieta en diferentes niveles de modulación.

Nota: El uso de una fuerte iluminación fluorescente directamente sobre el tocadiscos tendrá un efecto negativo en la precisión del indicador de la LÁMPARA DE BOMBILLA ESTROBOSCÓPICA.



1. ADAPTADOR DE EP

Este adaptador permite reproducir discos de vinilo de 7" estándar con agujeros centrales grandes. Coloque el adaptador sobre el PERNO CENTRAL de un disco de 7".

2. INDICADORES ESTROBOSCÓPICOS

El PLATO tiene cuatro filas de indicadores. Estos indicadores se usan para informar visualmente de las diferentes fases de la modulación. La LUZ PILOTO INDICADORA ESTROBOSCÓPICA ilumina los indicadores. Es posible que cada fila quede quieta en diferentes niveles de modulación.

Nota: El uso de una fuerte iluminación fluorescente directamente sobre el tocadiscos tendrá un efecto negativo en la precisión del indicador de la LÁMPARA DE BOMBILLA ESTROBOSCÓPICA.

3. PERNO CENTRAL

Este perno mantiene los discos estables y centrados sobre el PLATO del tocadiscos.

4. LUZ PILOTO INDICADORA ESTROBOSCÓPICA

Esta luz ha sido diseñada especialmente para emitir un rayo de luz a los INDICADORES ESTROBOSCÓPICOS del PLATO del tocadiscos. Esto hará que parezca que los indicadores no giran a ciertas velocidades.

5. INTERRUPTOR DE CORRIENTE

Es un interruptor de corriente giratorio. Gírelo en el sentido de las agujas del reloj para encenderlo. Gírelo en sentido contrario a las agujas del reloj para apagar la alimentación.

6. BOTÓN DE INICIO/PARADA

Este pulsador de gran tamaño controla el movimiento del plato. El plato no comenzará a girar automáticamente cuando se encienda la unidad. Al pulsar el botón una vez, se encenderá el motor de par alto y el plato girará. Al pulsar este botón otra vez, el plato se detendrá.

7. LUZ OBJETIVO

Pulse el botón derecho y aparecerá una luz dirigida a la posición de la aguja. Para retraer la luz, presione hacia abajo la misma luz.

8. PLATO

El plato está conectado directamente al perno central. El plato y el perno central soportan los discos de vinilo perfectamente centrados. El plato también hace girar el disco a una velocidad constante.

9. CARCASA DE LA AGUJA

La CABEZA que se incluye se usa para conectar la aguja con el brazo.

10. BOTÓN DEL SELECTOR DE VELOCIDAD DE 33/45-RPM

Activar estos botones hará girar el plato a 33 o 45 RPM. Cuando esta función esté activada, se encenderá un LED.

11. TUERCA DE SEGURIDAD DE LA CARCASA

Después de acoplar la carcasa al brazo, fíjela con la tuerca de seguridad.

12. DESLIZADOR DE AJUSTE DE MODULACIÓN

Este deslizador se usa para ajustar el porcentaje de modulación de la reproducción (velocidad del plato).

13. PALANCA DEL BRAZO

Esta palanca se usa para elevar con seguridad el brazo por encima de la superficie del disco sin poner en peligro la superficie del disco.

14. ABRAZADERA DEL BRAZO Y APOYABRAZOS

Este apoyabrazos se usa para mantener el brazo inmóvil mientras no se use y durante el transporte.

15. CONTROL ANTIPATINAJE

El antipatinaje aplica una fuerza hacia adentro sobre el brazo para evitar que salte fuera del disco debido a la fuerza centrífuga causada por la rotación del disco. El valor antipatinaje debe ser el mismo que el de la presión del contrapeso de la aguja.

16. CONTRAPESO

Use el contrapeso para equilibrar el brazo y para ajustar la presión de la aguja.

17. SOPORTE DE AGUJA ADICIONAL

Este recorte ha sido diseñado para guardar de forma segura una carcasa de aguja adicional.

18. SOPORTES DEL QUICIO DE LA CUBIERTA DE POLVO

Puntos de unión de los quicios de la cubierta del polvo.

19. CONECTORES DE SALIDA RCA

Se puede alternar entre salida FONÓGRAFO/LÍNEA. Dependiendo de la posición del interruptor del fonógrafo /línea, puede conectar el tocadiscos a cualquier fonógrafo o entrada de línea. Conecte los cables RCA (blanco = canal izquierdo, rojo = canal derecho) con las tomas del fonógrafo de su amplificador o mezclador. Conecte el cable a tierra con la terminal a tierra de su amplificador o mezclador.

20. INTERRUPTOR DE LÍNEA/FONÓGRAFO

Este interruptor se usa para cambiar el modo de SALIDA DE FONÓGRAFO o SALIDA DE LÍNEA.

21. TOMA USB (límite de cable USB de 3 m)

Después de conectar el tocadiscos al ordenador por USB, puede grabar el vinilo en el disco duro usando una aplicación de software. Puede descargar el software de forma gratuita en <http://audacity.sourceforge.net/>

23. TOMA DE ENTRADA DC

1. Datos técnicos de la alimentación que se incluye (una de las 2 opciones)

Información	Valor y precisión	Valor y precisión
Nombre de los fabricantes o marcas registradas, registro comercial y dirección	HON-KWANG ELECTRIC CO.,LTD.	SHENZHEN FU JIA APPLIANCE CO., LTD.
Identificador del modelo	HK-CW-120A200-CP	FJ-SW1202000N
Tensión de entrada	AC100-240V	AC100-240V
Frecuencia CA de entrada	50/60Hz	50/60Hz
Tensión de salida	DC 12.0V	DC 12.0V
Corriente de salida	2.0A	2.0A
Potencia de salida	24.0W	24.0W
Eficiencia activa media	≥86.20%	≥86.20%
Consumo energético sin carga	0.1W Máximo	0.1W Max

2. NOTA

- (1) Las especificaciones están sujetas a cambio para cualquier mejora sin negociaciones por adelantado.
- (2) Las piezas están sujetas a cambios para cualquier mejora dentro de la gama de las especificaciones.

Commaxx B.V. ofrece servicio y garantía en cumplimiento con las leyes de la Unión Europea, lo cual implica que, en caso de que su producto precise ser reparado (tanto durante como después del periodo de garantía), deberá contactar directamente con su distribuidor.

Nota importante: No es posible enviar sus reparaciones directamente a Commaxx B.V.

Nota importante: Si la unidad es abierta por un centro de servicio no oficial, la garantía quedará anulada.

Este aparato no es adecuado para el uso profesional. En caso de darle un uso profesional, todas las obligaciones de garantía del fabricante quedarán anuladas.

Exención de responsabilidad

Regularmente se llevan a cabo actualizaciones en el Firmware y en los componentes del hardware. Por esta razón, algunas de las instrucciones, especificaciones e imágenes incluidas en este documento pueden diferir ligeramente respecto a su situación particular. Todos los elementos descritos en esta guía tienen un objetivo de mera ilustración, y pueden no ser de aplicación en su situación particular. No se puede obtener ningún derecho ni derecho legal a partir de la descripción hecha en este manual.

Eliminación del antiguo dispositivo



Este símbolo indica que no deberá deshacerse del producto eléctrico o batería en cuestión junto con los residuos domésticos, en el ámbito de la UE. Para garantizar un tratamiento residual correcto del producto y su batería, por favor, elimínelos cumpliendo con las leyes locales aplicables sobre requisitos para el desecho de equipos eléctricos y baterías. De hacerlo, ayudará a conservar recursos naturales y mejorar los estándares de protección medioambiental en el tratamiento y eliminación de residuos eléctricos (Directiva sobre la Eliminación de Equipos Eléctricos y Electrónicos).

Marca CE



Los productos con la marca CE cumplen con la Directiva EMC (2014/30/EU) y con la Directiva de Bajas Tensiones (2014/35/EU) emitida por la Comisión de la Unión Europea.

Por la presente, Commaxx B.V. Wiebachstraat 37, 6466 NG Kerkrade, Países Bajos, declara que este producto cumple con las exigencias esenciales.

La declaración de conformidad puede consultarse en techdoc@lenco.com

Servicio

Para obtener más información y soporte del departamento técnico, por favor, visite la página web www.lenco.com
Commaxx B.V. Wiebachstraat 37, 6466 NG Kerkrade, Países Bajos.

ВНИМАНИЕ:

Использование элементов управления или регулирования или выполнение процедур, отличных от указанных в данном документе, может привести к опасному радиационному облучению.

МЕРЫ ПРЕДОСТОРОЖНОСТИ ПЕРЕД ЭКСПЛУАТАЦИЕЙ**СОБЛЮДАЙТЕ СЛЕДУЮЩИЕ ИНСТРУКЦИИ:**

1. Не закрывайте и не блокируйте вентиляционные отверстия. При размещении устройства на полке оставьте вокруг него 5 см (2 дюйма) свободного пространства.
2. Установите устройство в соответствии с руководством пользователя, входящим в комплект поставки.
3. Устройство должно находиться вдали от источников тепла, таких как батареи, обогреватели, нагревательные печи, свечи и другие изделия, выделяющие тепло, или открытое пламя. Устройство можно использовать только в условиях умеренного климата. Следует избегать чрезмерно высоких или низких температур окружающей среды. Рабочая температура составляет от 0 ° до 35 °С.
4. Не используйте устройство вблизи сильных магнитных полей.
5. Электростатический разряд может помешать нормальной эксплуатации устройства. Если это так, просто перезагрузите и перезапустите устройство, следуя инструкции по эксплуатации. Соблюдайте осторожность при передаче файлов и эксплуатируйте устройство в среде, свободной от атмосферных помех.
6. Предупреждение! Не вставляйте какие-либо предметы в изделие через вентиляционные отверстия или проемы. Через изделие проходит высокое напряжение, и вставленный предмет может вызвать поражение электрическим током и/или короткое замыкание внутренних частей. По той же причине не проливайте на изделие воду или любую другую жидкость.
7. Не используйте устройство в помещениях с повышенной влажностью, таких как ванные комнаты, кухни, насыщенные паром, или около бассейнов.
8. Не допускайте попадания на устройство капель или брызг. Следите за тем, чтобы на устройство или рядом с ним не ставились предметы, наполненные жидкостью, например вазы.
9. Не используйте это устройство в среде, где возможно образование конденсата. При использовании в теплом и влажном помещении, внутри устройства может образовываться конденсат, что приведет к некорректной работе проигрывателя. Оставьте проигрыватель в выключенном состоянии на 1-2 часа и только после этого включайте заново. Перед включением убедитесь, что устройство полностью высохло.
10. Несмотря на то, что это устройство изготовлено с особой тщательностью и несколько раз проверено перед выпуском с завода, возникновение проблем все же возможно, как и со всеми электрическими приборами. Если Вы заметили дым, чрезмерное нагревание или любые другие неожиданные явления, Вам следует немедленно отключить вилку от розетки электропитания.
11. Это устройство должно работать от такого источника питания, как указано на заводской табличке со спецификациями. Если Вы не уверены в том, какой тип источника питания используется в Вашем доме, проконсультируйтесь с Вашим торговым посредником или местной электроэнергетической компанией.
12. Размещайте устройство подальше от животных. Некоторым животным нравится кусать шнур питания.
13. Для очистки устройства используйте мягкую сухую ткань. Не используйте растворители или жидкости на основе бензина. Чтобы удалить устойчивые пятна, Вы можете использовать влажную ткань с разбавленным моющим средством.
14. Поставщик не несет ответственности за повреждение или потерю данных, вызванные неисправностью, неправильным использованием, реконструкцией устройства или заменой батареи.
15. Не прерывайте соединение, когда устройство форматирует или передает файлы. В противном случае данные могут быть повреждены или утеряны.
16. Если в устройстве есть функция воспроизведения через USB, карту памяти USB следует подключать напрямую к устройству. Не используйте удлинительный кабель USB, так как он может вызывать помехи, что приведет к потере данных.
17. Табличка с техническими данными находится на нижней или задней панели устройства.
18. Это устройство не предназначено для использования людьми (включая детей) с физическими, умственными расстройствами, расстройствами чувственного восприятия или с недостатком опыта и знаний, если они не находятся под наблюдением или не получили инструкции по правильному использованию устройства со стороны лица, отвечающего за их безопасность.
19. Это изделие не предназначено для профессионального, коммерческого или промышленного использования.
20. Убедитесь, что устройство установлено в устойчивое положение. Гарантия не распространяется на повреждения, вызванные эксплуатацией этого изделия в нестабильном положении, вибрациями или ударами, либо несоблюдением любых других предупреждений или мер предосторожности, содержащихся в данном руководстве пользователя.
21. Никогда не снимайте корпус этого устройства.
22. Никогда не помещайте это устройство на другое электрическое оборудование.
23. Не допускайте игр детей с пластиковыми пакетами, используемыми для упаковки устройства.

24. Используйте только приспособления/принадлежности, указанные производителем.
25. Поручите все обслуживание квалифицированному обслуживающему персоналу. Обслуживание требуется, когда устройство было повреждено, например, его шнур электропитания или вилка, когда была пролита жидкость или какие-либо предметы упали на устройство, когда устройство подверглось воздействию дождя или влаги, когда устройство работает ненормально, или когда произошло падение устройства.
26. Длительное воздействие громких звуков личных музыкальных проигрывателей может привести к временной или постоянной потере слуха.
27. Если устройство поставляется в комплекте с адаптером питания или кабелем питания:
 - При возникновении каких-либо проблем, отключите адаптер питания из розетки и обратитесь к квалифицированному сервисному инженеру.
 - Не наступайте на адаптер питания и не зажимайте его. Будьте очень осторожны, особенно возле штекеров и кабельного вывода. Не размещайте на адаптере электропитания тяжелые предметы, так как они могут повредить его. Храните устройство в недоступном для детей месте! Играя с кабелем электропитания, они могут серьезно пораниться.
 - Отключайте это устройство от сети во время грозы или если не используете в течение длительного времени.
 - Штепсельная розетка должна быть установлена рядом с оборудованием и быть в непосредственном доступе.
 - Не перегружайте розетки переменного тока или удлинительные шнуры. Перегрузка может вызвать возгорание или поражение электрическим током.
 - Устройства, спроектированные в соответствии с первым классом электрооборудования по европейским стандартам, «class 1», необходимо подключать к заземленным розеткам электропитания.
 - Устройства, спроектированные в соответствии со вторым классом электрооборудования по европейским стандартам, «class 2», не требуют наличия заземления в сети электропитания.
 - Вынимая вилку из штепсельной розетки, всегда держитесь за вилку. Не тяните за шнур питания. Это может вызвать короткое замыкание.
 - Не используйте поврежденный шнур питания, вилку или плохо закрепленную розетку. Это может привести к возгоранию или поражению электрическим током.
28. УСТАНОВКА:
 - Распакуйте все компоненты проигрывателя и снимите защитные материалы.
 - Не подключайте устройство к электросети до проверки сетевого напряжения и до выполнения всех остальных подключений.



Знак молнии внутри треугольника предупреждает о наличии незаземленных проводящих частей под напряжением опасным для жизни или здоровья человека.



Восклицательный знак внутри треугольника предупреждает пользователей о наличии специальных инструкций, которым необходимо следовать при работе с устройством или при его обслуживании.

ВНИМАНИЕ!

Во избежание удара электричеством, не подвергайте проигрыватель воздействию воды (дождя) или других жидкостей. На проигрыватель не должна капать или разливаться вода. Более того, любые объекты с водой, типа ваз, не должны размещаться на устройстве.



CAUTION
RISK OF ELECTRIC SHOCK
DO NOT OPEN



ПРЕДУПРЕЖДЕНИЕ: Не вскрывайте устройство во избежание поражения электрическим током. Внутри нет частей, обслуживаемых пользователем. Обслуживанием устройства должен заниматься подготовленный сервисный инженер.

РЕЖИМ ОЖИДАНИЯ

Данное устройство имеет встроенный режим ожидания, который активируется автоматически после 20 минут бездействия. В режиме ожидания потребление энергии снижается до 0.5 Вт. Устройство выйдет из режима ожидания как только переключатель скорости будет установлен в одно из двух положений.

АВТОМАТИЧЕСКОЕ ВЫКЛЮЧЕНИЕ

Автоматическое выключение означает следующее: если при воспроизведении пластинки тонарм достигает конца пластинки и возвращается еще 5 минут, устройство автоматически выключается и перестает вращаться. Та же самая операция произойдет, если игла не коснется поверхности пластинки в течение 5 минут.

КОМПЛЕКТАЦИЯ

Руководство пользователя x 1	Картридж с иглой x 1	Адаптер на 45 оборотов x 1
RCA кабель x 1	Противовес x 1	UL/PSE штекер x 1
Адаптер питания x 1	Кабель USB x 1	Защитная крышка x 1
Тарелка x 1	Войлочный мат x 1	Петли x 2

Примечание.

Модель L-3810/L-3828 снабжена адаптером питания, отвечающим стандартам CE и Великобритании
В комплект поставки модели L-3828 входит головка звукоснимателя AT-95E

СБОРКА

Перед использованием продукта необходимо произвести его сборку. Пожалуйста, следуйте данному руководству перед использованием проигрывателя.

Перед сборкой проигрывателя убедитесь, что он в полной комплектации.

ПРИМЕЧАНИЯ:

- Не включайте адаптер питания в розетку до тех пор, как проигрыватель будет полностью подготовлен к работе.
- Перед включением в розетку убедитесь, что все подключения выполнены правильно. Всегда выключайте питание при повторных подключениях, переносе проигрывателя на другое место и т.д.
- Внимательно изучите данное руководство перед использованием. Не выбрасывайте руководство – оно может понадобиться вам в будущем.
- Присоедините картридж с иглой к головной части тонарма перед сборкой устройства.

Сборка головной части тонарма:

При установке картриджа звукоснимателя используйте инструкцию к картриджу.

Во время установки картриджа установите защитный колпачок для защиты иголки звукоснимателя.

Подключите провода головки тонарма к терминалам картриджа. Терминалы картриджа и провода имеют цветовую маркировку. Подключайте провода головки тонарма к терминалам картриджа с соответствующим цветом.

Белый (L+) Левый канал +
 Синий (L-) Левый канал –
 Красный (R+) Правый канал +
 Зеленый (R-) Правый канал –

Сборка проигрывателя:**1. ИЗВЛЕЧЕНИЕ ИЗ УПАКОВКИ:**

Осторожно извлеките проигрыватель вместе с упаковочным материалом из коробки. После извлечения из коробки снимите упаковочный материал с основы проигрывателя. Внимательно проверьте упаковочный материал на наличие частей проигрывателя и аксессуаров.

2. АДАПТЕР НА 45 ОБОРОТОВ:

Найдите и извлеките из упаковки адаптер на 45 оборотов и установите его в специальное место в левом верхнем углу основы проигрывателя.

3. ОПОРНЫЙ ДИСК:

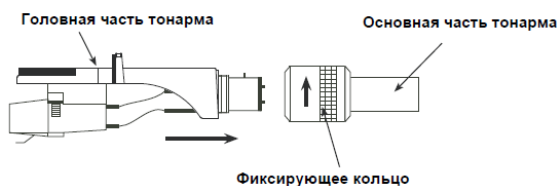
Извлеките опорный диск из упаковочного материала и аккуратно установите его на штифт, расположенный в центре основы проигрывателя.

4. СЛИПМАТ:

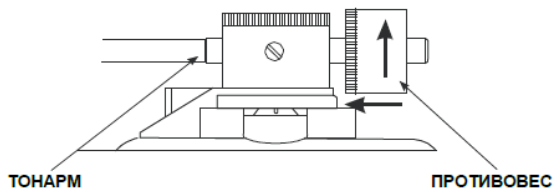
Извлеките мягкую подложку (слипмат) для пластинок из упаковки и установите поверх опорного диска.

5. ГОЛОВНАЯ ЧАСТЬ ТОНАРМА:

После установки картриджа звукоснимателя, подсоедините головную часть тонарма к основной части тонарма. Прижимая головную часть тонарма к основной части, поверните фиксирующее кольцо против часовой стрелки для закрепления соединения.

**6. ПРОТИВОВЕС:**

Извлеките противовес из упаковочного материала. Наденьте противовес на заднюю часть тонарма, плавно поворачивая противовес по часовой стрелке. При вращении по часовой стрелке противовес будет накручиваться на тонарм.

**ПОДКЛЮЧЕНИЕ**

Перед подключением проигрывателя к другим устройствам, рекомендуется ознакомиться с руководством по подключению других устройств и следовать в соответствии со всеми руководствами.

1. Убедитесь, что оборудование выключено из сети электропитания перед проведением подключений или при изменении текущих подключений

Примечание: Чтобы избежать искажений звука и наводок, расположите адаптер питания как можно дальше от проигрывателя.

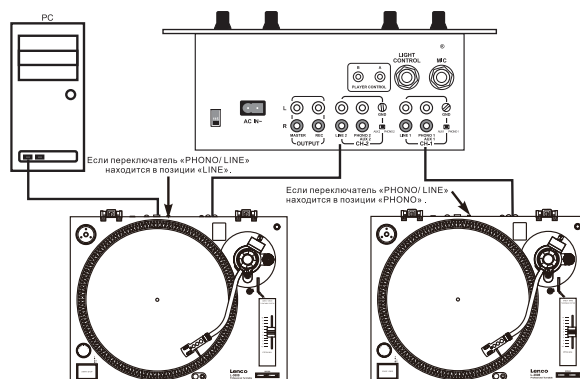
2. Если переключатель «PHONO/ LINE» находится в позиции «PHONO», подключите кабель с RCA разъемами ко входу «PHONO» вашего усилителя или к отдельному блоку фонокорректора. Если переключатель «PHONO/ LINE» находится в позиции «LINE», подключите кабель с RCA разъемами к линейному входу усилителя, например, «LINE1» или «AUX1».

Разъемы Усилитель (фонокорректор)

L (белый)	Левый канал
R (красный)	Правый канал
GND (коричневый)	GND

ПРИМЕЧАНИЕ: Убедитесь, что разъем GND надежно зафиксирован в усилителе/фонокорректоре. Если подключение ненадежное или отсутствует, может проявиться гул в звучании.

3. Подключите к ПК, используя USB кабель.



Расположение проигрывателя:

1. Не располагайте проигрыватель под прямыми солнечными лучами, например у окна, или рядом с устройствами, выделяющими значительное количество тепла, например рядом с обогревателями, плитами, мощными усилителями и т.д..
2. Не располагайте проигрыватель в пыльных или влажных местах.
3. Картридж звукоснимателя очень чувствительный и может воспринимать вибрации или звук от близко расположенных акустических систем. Для достижения наилучшего качества звучания не располагайте проигрыватель рядом с акустическими системами.
4. Устанавливайте проигрыватель на ровной стабильной поверхности, не подверженной вибрациям.
5. Резиновые ножки спроектированы для поглощения вибраций, однако использование дополнительных вибропоглощающих подставок может улучшить качество звучания системы. Ножки проигрывателя могут быть также использованы для постройки горизонтального положения проигрывателя. Высота каждой ножки регулируется поворотом ножки по часовой или против часовой стрелки.

Пошаговая инструкция по балансировке тонарма:

1. При наличии защитного колпачка на картридже звукоснимателя, снимите его. Никогда не прикасайтесь к кончику иглы звукоснимателя.
2. Опустите рычаг установки тонарма.
3. Освободите фиксатор тонарма и переведите тонарм в рабочее положение.
4. Установите регулировку анти-скейтинга в нулевое положение.
5. Поворачивая противовес по или против часовой стрелки, установите тонарм таким образом, чтобы он свободно висел в горизонтальном положении. В таком положении сила давления иглы составляет 0 грамм.
6. Верните тонарм на исходную (не рабочую) позицию и закрепите его фиксатором.
7. Удерживая противовес неподвижно одной рукой, поверните индикаторное кольцо таким образом, чтобы цифра «0» совпала с линией проведенной по центру задней части тонарма.
8. Поверните противовес по часовой стрелке таким образом, чтобы цифра на индикаторном кольце, пересекающая линию по центру тонарма, соответствовала рекомендуемой силе давления иглы звукоснимателя для установленного картриджа.

Примечание: Рекомендуемая сила давления иглы звукоснимателя для картриджа, который может быть включен в комплект поставки модели L-3808/L-3810/L-3828, составляет 2 грамма. При установке других картриджей необходимо устанавливать силу давления в соответствии с прилагаемой к картриджу инструкцией

Регулировка анти-скейтинга:

Система анти-скейтинга предотвращает проскальзывание иголки и перескакивание между дорожками во время воспроизведения под действием центробежной силы. Ручка регулировки силы анти-скейтинга должна быть установлена на то же значение, что и сила давления иглы звукоснимателя. Например, если противовес установлен на значение 2,5 грамма, ручка регулировки анти-скейтинга также должна быть установлена на значение 2,5.

БЫСТРЫЙ ЗАПУСК**Быстрый запуск проигрывателя:****1. Установка количества оборотов диска**

Используйте кнопки установки количества оборотов (RPM) для выбора желаемой скорости вращения диска. Кнопки «33-rpm» и «45-rpm» устанавливают количество оборотов в соответствии с надписью.

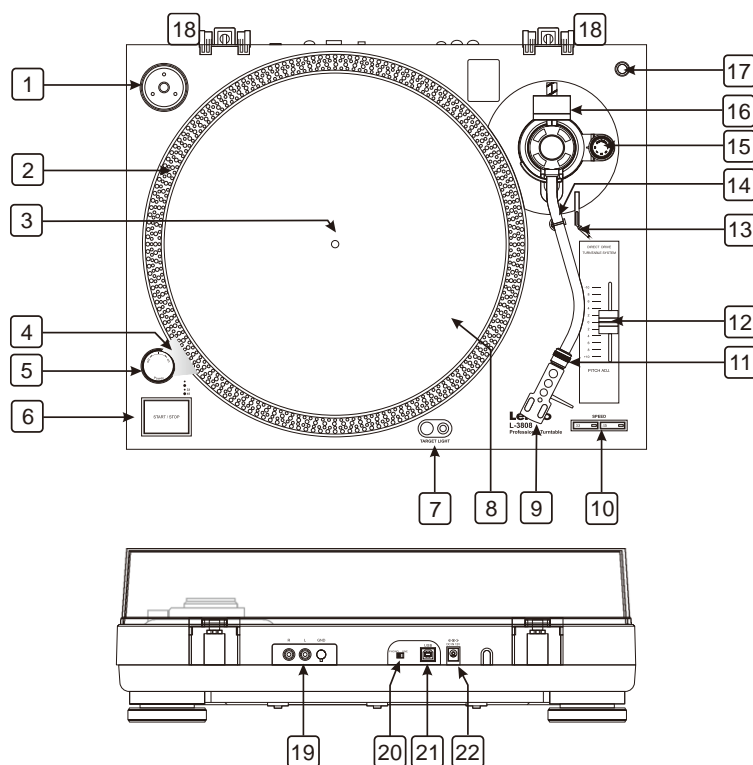
2. Запуск и остановка диска

Используйте кнопку «START/STOP» для запуска и приостановки вращения диска.

3. Контроль скорости вращения / тона (Pitch Control)

- (1) Слайдер позволяет плавно изменять скорость вращения и, соответственно, скорость и тон звучания записи.
- (2) Диапазон регулировки лежит в пределах от -10% до +10% от номинальной скорости вращения диска.
- (3) Изменение скорости вращения производится перемещением слайдера «Pitch Slider» вверх и вниз.
- (4) Строб-индикатор. Строб-метки на ободе диска могут быть использованы для визуального контроля изменения скорости вращения. Метки подсвечиваются лампой рядом с кнопкой пуска/остановки «START/STOP».

Примечание: Использование мощных флуоресцентных ламп, светящих сверху на проигрыватель, может препятствовать правильной работе строб лампы и отразиться на точности строб- индикатора.



1. АДАПТЕР НА 45 ОБОРОТОВ

Этот адаптер позволяет воспроизводить пластинки стандарта EP 7" с большим центральным отверстием. Устанавливайте этот адаптер на центральное отверстие EP пластинок.

2. СТРОБ-МЕТКИ

Опорный диск имеет четыре ряда строб меток. Эти метки используются для визуального контроля скорости вращения диска и, соответственно, тона воспроизведения записи. Индикаторы подсвечиваются специальной строб-лампой. При определенных скоростях вращения, один из рядов подсвечиваемых меток будет выглядеть неподвижным. **ПРИМЕЧАНИЕ:** Использование мощных флуоресцентных ламп, светящих сверху на проигрыватель, может препятствовать правильной работе строб лампы и отразиться на точности строб-индикатора.

3. ЦЕНТРАЛЬНАЯ ОСЬ

Эта ось (штифт) удерживает опорный диск и пластинки.

4. СТРОБ-ИНДИКАТОР (СТРОБ-ЛАМПА)

Эта лампа подсвечивает строб-метки импульсами света с определенной частотой. За счет этого при определенных скоростях вращения, один из рядов подсвечиваемых меток будет выглядеть неподвижным.

5. РУЧКА ВКЛЮЧЕНИЯ

Для включения проигрывателя поверните ручку включения по часовой стрелке. Для выключения проигрывателя поверните ручку против часовой стрелки.

6. ПУСК / ОСТАНОВКА (START / STOP)

Эта большая кнопка управляет запуском вращения диска. При включении проигрывателя диск не начинает вращение автоматически. Нажатие этой кнопки запускает вращение диска. Повторное нажатие кнопки останавливает вращение.

7. ПОДСВЕТКА ПЛАСТИНКИ

Нажмите на правую кнопку, чтобы поднять и включить подсветку пластинки. Чтобы убрать и выключить подсветку, надавите на сам столб с подсветкой.

8. ОПОРНЫЙ ДИСК

Опорный диск устанавливается на центральную ось. Используется для установки виниловых дисков и обеспечения стабильности скорости вращения.

9. ГОЛОВНАЯ ЧАСТЬ ТОНАРМА

Эта часть используется в качестве держателя картриджа звукоснимателя.

10. КНОПКА ВЫБОРА СКОРОСТИ 33/45-RPM

Нажатие этих кнопок активирует режим работы проигрывателя со скоростью вращения диска 33 или 45 оборотов в минуту (RPM). При включении загорается световой индикатор.

11. ФИКСИРУЮЩЕЕ КОЛЬЦО

Используется для фиксации соединения между тонармом и головной частью с картриджем.

12. СЛАЙДЕР ПОДСТРОЙКИ ТОНА (Pitch Control)

Этот слайдер позволяет плавно изменять скорость вращения и, соответственно, скорость и тон звучания записи.

13. РЫЧАГ УСТАНОВКИ ТОНАРМА

Этот рычаг позволяет плавно опускать и поднимать тонарм не повреждая поверхность пластинки.

14. ФИКСАТОР ТОНАРМА

Используйте эту ручку для фиксации тонарма, когда он не используется, или во время транспортировки.

15. РЕГУЛИРОВКА АНТИ-СКЕЙТИНГА

Система анти-скейтинга компенсирует центробежную силу, предотвращая проскальзывание иглки звукоснимателя во время воспроизведения.

Ручка регулировки силы анти-скейтинга должна быть установлена на то же значение, что и сила давления иглы звукоснимателя.

16. ПРОТИВОВЕС

Противовес используется для балансирования тонарма и установки необходимой силы давления иглы звукоснимателя.

17. МЕСТО ДЛЯ ХРАНЕНИЯ ИГЛЫ

Данная выемка создана для безопасного хранения дополнительной иглы.

18. МЕСТА КРЕПЛЕНИЯ ЗАЩИТНОЙ КРЫШКИ

Места крепления петель защитной крышки.

19. ВЫХОДНЫЕ РАЗЪЕМЫ RCA

Разъемы используются для подключения ко входу усилителя, предусилителя или фонокорректора в зависимости от положения переключателя «PHONO/LINE». Красная и белая маркировка разъемов RCA обозначает правый и левый каналы соответственно. Заземление подключается к «земле» предусилителя или фонокорректора.

20. ПЕРЕКЛЮЧАТЕЛЬ «PHONO/LINE»

Этот переключатель служит для включения / выключения встроенного фонокорректора. Это позволяет использовать как внешний усилитель с линейными входами, так и внешний фонокорректор или усилитель с блоком фонокорректора.

21. РАЗЪЕМ USB (Для USB кабелей не более 3-х метров)

После подключения проигрывателя к компьютеру, можно сохранять записи с виниловых дисков на компьютер при помощи специального ПО. Скачать бесплатное ПО можно на <http://audacity.sourceforge.net/>

22. РАЗЪЕМ ПОДКЛЮЧЕНИЯ АДАПТЕРА ПИТАНИЯ**1. Технические характеристики комплектного адаптера питания (адзін з 2 варыянтаў)**

Характеристика	Значение	Значение
Производители или данные регистрации ТМ и адрес	ХОН-КВАН ЭЛЕКТРИК КО., ЛТД. HON-KWANG ELECTRIC CO.,LTD.	SHENZHEN FU JIA APPLIANCE CO., LTD.
Номер модели	HK-CW-120A200-CP	FJ-SW1202000N
Входное напряжение переменного тока	100-240 В	AC100-240V
Частота напряжения	50/60Hz	50/60Hz
Выходное напряжение	12.0 В	DC 12.0V
Выходной ток	2.0А	2.0A

Выходная мощность	24.0 Вт	24.0W
КПД	≥86.20%	≥86.20%
Потребление без нагрузки	0.1 Вт (макс)	0.1W Max

2. Примечания

- (1) Технические характеристики могут быть изменены в лучшую сторону без предварительного уведомления.
- (2) Отдельные части устройства могут быть изменены в лучшую сторону без предварительного уведомления.

Срок гарантии составляет 1 (один) год с даты продажи. **Срок службы** – до 5 (пяти) лет.

Важное примечание: Компания Commaxx B.V. не обеспечивает обслуживание оборудования в случае непосредственного обращения в головной офис компании.

Важное примечание: Гарантия не действует, если устройство вскрывалось или подвергалось изменениям вне официального сервисного центра.

Это устройство не предназначено для профессионального использования. В случае профессионального использования гарантийные обязательства производителя не будут выполняться.

Заявление об ограничении ответственности

Обновления микропрограмм и/или компонентов аппаратного обеспечения производятся регулярно. Поэтому некоторые инструкции, спецификации и изображения в этой документации могут незначительно отличаться от Вашей конкретной ситуации. Все элементы, описанные в данном руководстве, предназначены только для иллюстрации и могут не относиться к конкретной ситуации. Из описания, приведенного в этом руководстве, нельзя получить никаких юридических прав.

Утилизация оборудования



Этот символ означает, что соответствующее электрооборудование или батарея не может быть утилизирована как обычные бытовые отходы в Европе. Чтобы обеспечить корректную утилизацию данного оборудования руководствуйтесь местными законами или требованиями по утилизации электронного оборудования и батарей.

Поступая таким образом, Вы поможете сохранить природные ресурсы и улучшить стандарты защиты окружающей среды при обработке и утилизации электрических отходов (Директива ЕС об отходах электрического и электронного оборудования).

Маркировка «CE»



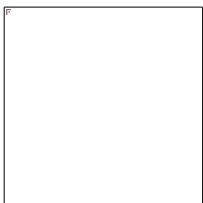
Продукция с маркировкой CE соответствует требованиям Директиве ЕС по электромагнитной совместимости (2014/30/ЕС) и Директиве ЕС по вопросам качества низковольтных электротехнических изделий (2014/35/ЕС), принятых Комиссией Европейского Союза.

Настоящим компания «Ленко Бенелюкс БВ» Коммакс Б.В., Вибахштраат 37, 6466НГ, Керкраде, Нидерланды (Commaxx B.V. Wiebachstraat 37, 6466 NG Kerkrade, The Netherlands)

заявляет, что этот продукт соответствует основным требованиям. С декларацией соответствия можно

ознакомиться по адресу techdoc@lenco.com. «Ленко Бенелюкс БВ», Термикстраат 1а, Нют, 6361 НВ, Нидерланды

Маркировка «EAC»



Товар сертифицирован для использования на территории Таможенного Союза без каких-либо ограничений. Соответствует требованиям ТР ТС 004/2011 «О безопасности низковольтного оборудования» и ТР ТС 020/2011 «Электромагнитная совместимость технических средств».

Импортер и организация, уполномоченная на принятие претензий: ООО "Бизнес-фабрика", 123458 г. Москва, ул. Маршала Прошлякова, д. 30, офис 503, +7 495 787 5900. **Изготовитель:**

Коммакс Б.В., Вибахштраат 37, 6466НГ, Керкраде, Нидерланды / **Филиал:** Эс.Ти.Ай. Электроникс Лтд., Юнит 903-907, 9/ЭФ, Лоз Коммершиал Плаза, 788 Чонг Ша Ван Роуд, Коулун, Гонконг. Сделано в Китае

Обслуживание

Для получения дополнительной информации и обращения в службу поддержки клиентов посетите наш веб-сайт:

www.lenco.ru. Дизайн и спецификация могут быть изменены производителем без предварительного

информирования.

Дата изготовления продукции

Год и месяц изготовления продукции указаны в номере партии и серийном номере продукта. Ниже описаны способы уточнения этой даты.

- По номеру партии (номер партии указан либо на упаковке устройства, либо на транспортировочной упаковке).
 - Формат номера партии: AAAABDDMY
- По серийному номеру продукта (серийный номер указан на устройстве).
 - Формат серийного номера: AAAABDDMYSSSSSS

Где М (восьмой символ слева) равен месяцу производства, а Y (девятый символ слева) равен году производства. Месяц производства указывается одной из букв латинского алфавита.

Соответствие буквенных обозначений месяца производства:

A	B	C	D	E	F
Январь	Февраль	Март	Апрель	Май	Июнь
G	H	I	J	K	L
Июль	Август	Сентябрь	Октябрь	Ноябрь	Декабрь

Год производства указывается одной цифрой, которая соответствует последней цифре года производства (цифра 1 равна 2021 году производства).

Пример расшифровки по номеру партии:

- Номер партии: 2461A05C0
- Где буква C это месяц (Март), а цифра 0 – последняя цифра года производства (2020 год).

Пример расшифровки по серийному номеру:

- 2461A05A1123456

Где буква A это месяц (Январь), а цифра 1 – последняя цифра года производства (2021 год).

Гарантийный талон

Lenco

Информация об устройстве

Модель:	
Серийный номер:	
Дата продажи:	срок гарантии – 1 (один) год с даты продажи

Информация о продавце

Название торговой организации:	
Телефон торговой организации:	
Адрес, e-mail:	

Подпись продавца _____

М.П.

Подпись покупателя _____

Изделие получил в исправном состоянии и в полной комплектации. С условиями гарантии ознакомлен и согласен.

ВНИМАНИЕ! Гарантийный талон недействителен без печати продавца.

Поддержка: www.lenco.ru

FORSIGTIG:

Hvis enheden ikke anvendes, justeres og behandles i overensstemmelse med brugervejledningen, kan det resultere i farlig stråling.

FORHOLDSREGLER FØR IBRUGTAGNING**HUSK DISSE ANVISNINGER:**

1. Tildæk eller blokér ikke ventilationsåbningerne. Hvis enheden placeres på en hylde, skal der være et frirum på 5 cm på alle sider af enheden.
2. Installér enheden i henhold til anvisningerne i den medfølgende brugervejledning.
3. Hold enheden på afstand af varmekilder som fx radiatorer, varmeapparater, ovne, stearinlys og andre varmegenererende produkter samt åben ild. Enheden er udelukkende til brug i tempererede klimazoner. Undgå stærk varme og kulde. Driftstemperatur mellem 0° og 35°C.
4. Undlad at anvende enheden nær stærke magnetfelter.
5. Elektrostatisk udladning kan forstyrre denne enheds normale drift. Sker det, skal du blot nulstille og genstarte enheden i henhold til anvisningerne i brugervejledningen. Under filoverførsel skal du handle med omhu og betjene enheden i et område fri for statisk elektricitet.
6. Advarsel! Stik aldrig genstande ind i enheden gennem ventilationsåbninger eller sprækker. Produktet indeholder strømførende dele, og hvis du stikker en genstand ind i enheden, kan det medføre elektrisk stød og/eller kortslutning af de indre dele. Af samme grund må du ikke spilde vand eller væske på produktet.
7. Benyt ikke enheden på våde eller fugtige steder som fx på et badeværelse, i et dampfyldt køkken eller nær en swimmingpool.
8. Enheden må ikke udsættes for dryp eller stænk. Der må ikke anbringes genstande fyldt med væske, som fx vaser, på eller i nærheden af enheden.
9. Brug ikke enheden på steder, hvor der kan opstå kondens. Hvis enheden placeres i et varmt og fugtigt rum, kan der danne sig vanddråber eller kondens inde i den, og den kan muligvis ikke fungere korrekt. Lad enheden stå slukket i 1-2 timer, inden du tænder den. Enheden skal være tør, når der tændes for strømmen.
10. Trods det, at enheden er fremstillet med yderste omhu og kontrolleret flere gange før afsendelse fra fabrikken, kan det stadig forekomme, som med alle elektriske apparater, at der opstår problemer. Hvis du oplever røg eller overdreven varmeudvikling eller andre uventede fænomener, bør du omgående tage stikket ud af stikkontakten.
11. Denne enhed skal drives af en strømkilde som den, der er angivet på mærkepladen. Hvis du ikke er sikker på, hvilken forsyningsspænding, der anvendes i dit hjem, bør du søge vejledning hos din forhandler eller det lokale elselskab.
12. Hold enheden udenfor dyrs rækkevidde. Nogle kæledyr kan finde på at bide i strømførende strømkabler.
13. Rengør enheden med en blød, tør klud. Brug ikke opløsningsmidler eller benzinbaserede væsker. Hårnakkede pletter kan fjernes med en let fugtet klud med en mild sæbeopløsning.
14. Producenten er ikke ansvarlig for skade eller mistede data, der skyldes fejlfunktion, misbrug, ændringer af enheden eller udskiftning af batterier.
15. Undlad at afbryde forbindelsen, mens enheden formateres, eller der overføres filer. I modsat fald kan data blive beskadiget eller gå tabt.
16. Hvis enheden er udstyret med en funktion til USB-afspilning, skal USB-lageret sættes direkte i enheden. Brug ikke et USB-forlænger-kabel, da et sådant kan skabe interferens og føre til tab af data.
17. Mærkepladen findes i bunden eller på bagsiden af enheden.
18. Denne enhed må ikke bruges af personer (inkl. børn) med nedsatte fysiske motoriske eller mentale evner eller manglende erfaring, medmindre de er blevet instrueret i brugen af en person, der er ansvarlig for deres sikkerhed, og er under dennes opsyn.
19. Dette produkt er ikke beregnet til professionel eller industriel brug, det er udelukkende beregnet til privat brug.
20. Sørg for, at enheden er placeret stabilt. Skade, der skyldes anvendelse af produktet i en ustabil position, vibrationer, stød eller manglende overholdelse af de retningslinjer og andre advarsler, der er udstukket i denne brugervejledning, dækkes ikke af garantien.
21. Åbn aldrig enhedens kabinet.
22. Placér aldrig denne enhed ovenpå andet elektrisk udstyr.
23. Lad ikke børn få adgang til plastposer.
24. Brug kun tilslutninger/tilbehør, der er angivet af producenten.
25. Overlad alt servicearbejde til et kvalificeret serviceværksted. Service er påkrævet, hvis enheden på nogen måde er blevet beskadiget, hvis f.eks. strømkablet eller stikket er beskadiget, hvis der er spildt væske på enheden, hvis en genstand er faldet ned i den, hvis enheden har været udsat for regn eller fugt, ikke fungerer korrekt eller er blevet tabt.
26. Langvarig lytning til musik ved høj lydstyrke kan medføre midlertidige eller permanente høreskader.

27. Hvis produktet leveres med strømkabel eller strømforsyning til vekselstrøm:

- Hvis der opstår problemer, skal du trække strømkablet ud af kontakten og overlade al service til en kvalificeret tekniker.
- Undlad at træde på eller klemme strømforsyningen. Vær forsigtig, især nær de steder, hvor stik og kabler er fastgjort. Undlad at placere tunge genstande på strømforsyningen, da dette vil kunne beskadige den. Hold hele enheden udenfor børns rækkevidde! Hvis børn leger med strømkabler, kan de komme slemt til skade.
- Tag stikket ud af stikkontakten i tordenvejr, samt hvis du ikke skal bruge enheden i længere tid.
- Enheden skal placeres nær stikkontakten, og der skal altid være let adgang til den stikkontakt, enheden er tilsluttet.
- Undlad at overbelaste stikkontakter eller forlængerledninger. Overbelastning kan medføre brand eller elektrisk stød.
- Enheder med klasse 1-opbygning bør forbindes til en stikkontakt med jord.
- Enheder med klasse 2-opbygning kræver ikke jordforbindelse.
- Hold altid i stikket, når du tager det ud af stikkontakten. Træk ikke i strømkablet. Dette kan medføre kortslutning.
- Brug ikke et beskadiget strømkabel eller stik eller en løs stikkontakt. Gør du det, kan det medføre brand eller elektrisk stød.

28. INSTALLATION:

- Udpak alle dele, og fjern beskyttelsesmaterialerne.
- Slut ikke enheden til lysnettet, før du har kontrolleret forsyningsspændingen og foretaget alle nødvendige tilslutninger.



Formålet med lynet i den ligebenede trekant er at advare brugeren om tilstedeværelsen af uafskærmet farlig spænding i produktets kabinet, der kan være kraftig nok til at udgøre en risiko for elektrisk stød.



Formålet med udråbstegnet i den ligebenede trekant er at gøre brugeren opmærksom på tilstedeværelsen af vigtige anvisninger om betjening og vedligeholdelse (service) af produktet i den medfølgende brugerdokumentation.

ADVARSEL!

For at reducere risikoen for brand eller elektrisk stød må enheden ikke udsættes for regn eller fugt. Udsæt ikke enheden for vanddråber eller vandsprøjt. Placér endvidere ikke væskefyldte genstande, såsom vaser, på eller i nærheden af enheden.



FORSIGTIG: Fjern ikke dæksler eller lignende for at reducere risikoen for elektrisk stød. Der findes ingen dele i enheden, som kan serviceres af brugeren. Henvi al service udelukkende til kvalificeret servicepersonale.

STANDBY

Enheden har en automatisk standbytilstand, der aktiveres automatisk efter 20 minutter uden aktivitet. Pladespillerens energiforbrug reduceres i standbytilstanden til mindre end 0,5 W for at undgå unødvendigt energiforbrug. Standbytilstanden afbrydes automatisk, så snart hastighedsvælgeren indstilles til en af de to hastigheder.

AUTOSLUK

Autosluk betyder, at når pladen afspilles, og tonearmen når enden af pladen, vil pladen fortsætte med at rotere i endnu 5 minutter, hvorefter enheden automatisk slukker, og pladetallerkenen holder op med at dreje. Det samme sker, hvis nålen ikke berører en plade i 5 minutter.

MEDFØLGENDE TILBEHØR

Brugervejledning x 1	Pickuphus x 1	Adapter til 45 o/min. x 1
2-delt RCA-kabel x 1	Kontravægt x 1	UL-/PSE-adapterstik x 1
Strømforsyning x 1	USB-kabel x 1	Støvlåg x 1
Pladetallerken x 1	Filtmåtte x 1	Hængsel x 2

Bemærk:

Strømforsyningen til L-3810/L-3828 er CE-versionen og versionen til Storbritannien

Den medfølgende pickup til L-3828 er AT-95E

SAMLING

Pladespilleren skal samles, før du kan bruge den. Følg samlevejledningen nedenfor, før du bruger din nye pladespiller.

Kontrollér, at alle dele og tilbehør er modtaget, før du starter samlingen.

BEMÆRKNINGER:

- Tilslut ikke strømforsyningen, før du har afsluttet samlingen.
- Kontrollér alle forbindelser en ekstra gang, før du tænder strømmen. Sluk altid strømmen, når du tilslutter eller afbryder.
- Læs vejledningen omhyggeligt, før du bruger enheden. Opbevar brugervejledningen et sikkert sted til senere brug.
- Fastgør en pickupnål til pickuphuset, før du samler pladespilleren.

Samling af pickuphus:

Se brugervejledningen til pickuppen, når du installerer en pickup.

Sæt beskyttelsehætten på nålen under installationen for at beskytte nålespidsen mod skader.

Slut ledningerne på pickuphuset til terminalerne på pickuppen. Terminalerne på pickuppen og ledningerne på pickuphuset er farvekodede. Slut hver ledning til terminalen af samme farve på pickuppen.

Hvid (V+) Venstre kanal +

Blå (V-) Venstre kanal -

Rød (H+) Højre kanal +

Grøn (H-) Højre kanal -

Samling af pladespiller:**1. UDPÅKNING:**

Pak hovedenheden ud af kassen med emballeringen intakt. Fjern derefter emballeringen fra enheden. Kontrollér, at alt tilbehør findes i emballeringen.

2. ADAPTER TIL 45 O/MIN.:

Pak adapteren til 45 o/min. ud, og placér den i udskæringen til adapteren til 45 o/min. oven på hovedenheden.

3. PLADETALLERKEN:

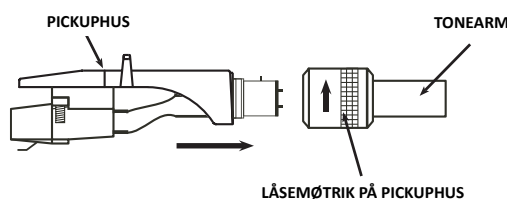
Pak pladetallerkenen ud, og sæt den forsigtigt på midterspindlen på pladespilleren.

4. PLADEMÅTTE:

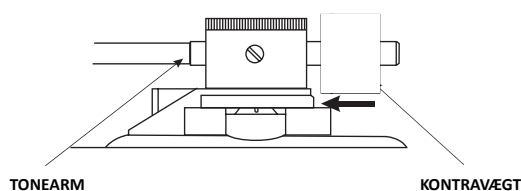
Pak den sorte plademåtte ud, og anbring den på pladetallerkenen.

5. PICKUPHUS:

Sæt pickuphuset på den forreste del af tonearmen. Tryk pickuphuset godt fast mod den forreste ende af tonearmen, og drej låsemøtrikken på pickuphuset mod uret for at fastgøre den forsvarligt til tonearmen.

**6. KONTRAVÆGT:**

Pak kontravægten til tonearmen ud. Skub kontravægten over på den bagerste del af tonearmen. Drej den lidt for at skru den på den bagerste del af tonearmen.

**TILSLUTNING**

Før du tilslutter enheden, tilrådes det, at du også læser brugervejledningen til dit aktuelle udstyr.

1. Sørg for at slukke lydenheden, såsom et stereosystem eller en forstærker, før tilslutningen.

Sørg for, at alle tilslutninger er udført, før du slutter strømforsyningen til en stikkontakt.

Bemærk: Placér strømforsyningen så langt væk fra pladespilleren som muligt for at undgå forstyrrende støj.

2. Slut RCA-kablet til din phonoindgang på din forstærker, når du indstiller kontakten PHONO/LINE til stillingen PHONO. Du kan også bruge en linjeindgang ved at indstille kontakten PHONO/LINE på bagsiden af pladespilleren til LINE.

Udgangsterminaler

V (hvid)
H (rød)
JORD (kabelsko)

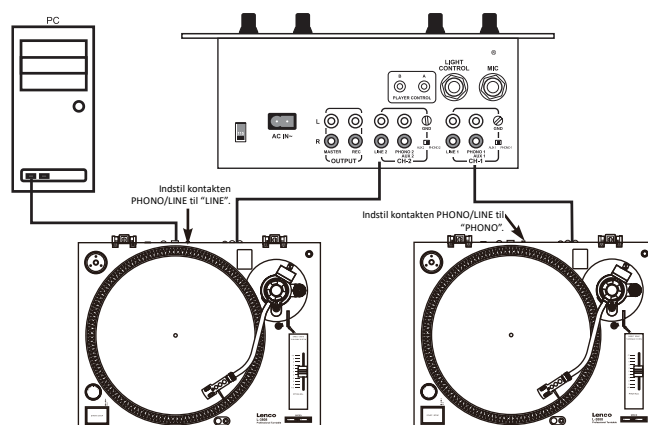
Forstærker (modtager)

Kanal V
Kanal H
JORD

BEMÆRK: Sørg for at slutte jordterminalen forsvarligt til forstærkeren eller modtageren.

Hvis der ingen forbindelse er, eller forbindelsen er løs, brummer strømkilden.

3. Tilslut en pc via et USB-kabel.



Installation af pladespiller:

1. Placér ikke enheden et sted, hvor den udsættes for direkte sollys, eller i nærheden af et varmeapparat uanset type.
2. Placér ikke enheden et sted med høj luftfugtighed eller store mængder støv.
3. Pickuppen kan muligvis registrere et let lydtryk eller vibrationer fra højttalere i nærheden. Placér ikke enheden for tæt på højttalere for at opnå det bedste resultat.
4. Placér enheden på en vandret overflade, der er stabil og uden vibrationer.
5. Gummifødderne er specialdesignede til at isolere enheden mod stærke vibrationer. Fødderne kan også bruges til at stabilisere hovedenheden vandret. Justér højden på enheden ved at dreje fødderne med eller mod uret.

Balancering af tonearm og nåletryk:

Justering af vandret nulbalance og nåletryk:

1. Fjern et eventuelt beskyttelsesdæksel til nålen. Rør aldrig ved spidsen af nålen under justeringen.
2. Sænk løftehåndtaget til tonearmen.
3. Frigør klemmen til tonearmen, og tag tonearmen af støtten.
4. Indstil justeringen for anti-skating til nul.
5. Drej modvægten, indtil tonearmen er i perfekt balance vandret (svæver frit).
6. Sæt tonearmen tilbage på støtten, og lås den på plads.
7. Hold modvægten stille med den ene hånd, og drej kun ringen til nåletryk, indtil tallet "0" på ringen flugter med midterlinjen på den bagerste del af tonearmen.
8. Drej modvægten mod uret, indtil værdien, der svarer til det anbefalede nåletryk, vises.

Bemærk: Det anbefalede nåletryk på den valgfrie pickup, der muligvis medfulgte enheden, er to gram. For øvrige pickupsystemer skal du se producentens specifikationer, der fulgte med den pågældende pickup.

Anti-skating:

Justeringen af anti-skating forhindrer tonearmen i at springe hen over pladen på grund af centrifugalkraften, der opstår som følge af pladetallerkenens rotation. Kontrolknappen for anti-skating skal indstilles til samme værdi som nåletrykket. Hvis modvægten for eksempel er indstillet til 2,5 g, skal værdien for anti-skating også indstilles til 2,5.

HURTIG START**Hurtig start af pladespiller:****1. Ændring af hastighed for pladetallerken**

Brug vælgeren til omdrejninger pr. minut til at ændre hastigheden for pladetallerkenen. Hastighedsvælgeren til 33 o/min. og 45 o/min. ændrer rotationen af pladetallerkenen tilsvarende.

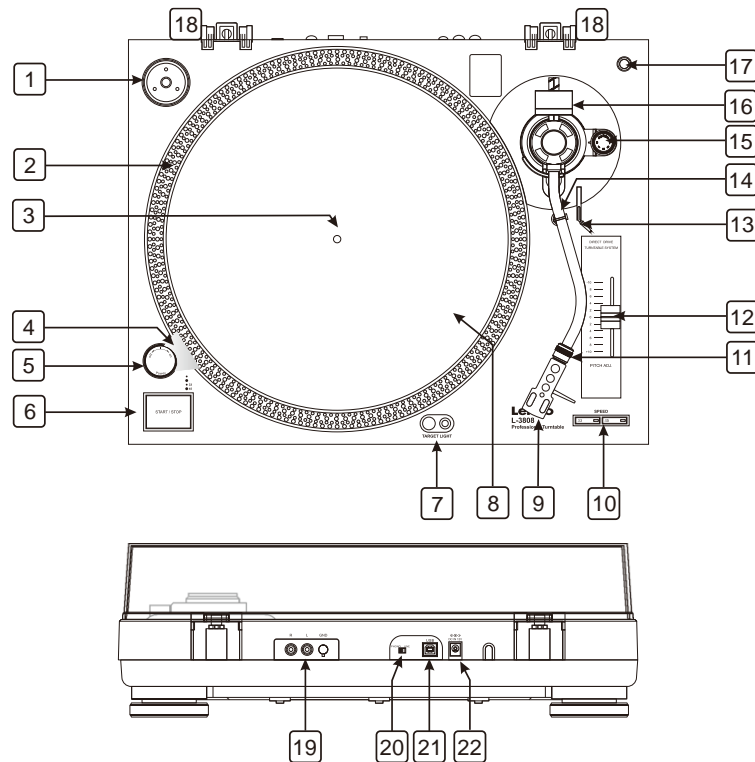
2. Start og stop af pladetallerken

Brug knappen START/STOP til at skifte mellem rotations- og pausetilstand for pladetallerkenen.

3. Pitchkontrol

- (1) Pitchjusteringen er en finjustering af pladetallerkenens omdrejninger pr. minut.
- (2) Pitchjusteringen kan justeres mellem -10 % og +10 % af den valgte hastighed for pladetallerkenen.
- (3) Pitchen ændres ved at skubbe pitchskyderen op eller ned.
- (4) Stroboskopindikatorerne på kanten af pladetallerkenen kan bruges til et visuelt skøn af pitchen på pladetallerkenen. Indikatorerne belyses af signallampen for stroboskopindikator, når de passerer tænd/sluk-knappen. Hver række af stroboskopindikatorer kan forekomme at stå stille ved forskellige pitchniveauer.

Bemærk: Brugen af lysstofrør med kraftigt lys direkte over pladespilleren ødelægger nøjagtigheden af signallampen for stroboskopindikator.



1. EP-ADAPTER

Adapteren giver mulighed for at afspille EP-standardplader på 7" med stort hul i midten. Placér adapteren på midterspindlen på 7" plader.

2. STROBOSKOPINDIKATORER

Der er fire rækker med indikatorer på pladetallerkenen. Indikatorerne bruges til at vise forskellige niveauer af pitch i detaljer. Indikatorerne belyses af signallampen for stroboskopindikator. Hver række kan forekomme at stå stille ved forskellige pitchniveauer.

Bemærk: Brugen af lystofrør med kraftigt lys direkte over pladespilleren ødelægger nøjagtigheden af signallampen for stroboskopindikator.

3. MIDTERSPINDEL

Spindlen holder pladerne på pladespillerens pladetallerken stabile og centrerede.

4. SIGNALLAMPE FOR STROBOSKOPINDIKATOR

Lampen er specialdesignet til at udsende impulser af lys på stroboskopindikatorerne på pladespillerens pladetallerken. Det giver illusionen af, at indikatorerne ikke roterer ved bestemte hastigheder.

5. TÆND/SLUK-KNAP

Knappen er en drejeknap. Tænd strømmen ved at dreje knappen med uret. Sluk strømmen ved at dreje knappen mod uret.

6. Knappen START/STOP

Den store trykknop kontrollerer pladetallerkenen. Pladetallerkenen begynder ikke automatisk at rotere, når enheden tændes. Et tryk på knappen starter motoren med højt drejningsmoment, der driver pladetallerkenen. Et nyt tryk stopper pladetallerkenen.

7. MÅLLYS

Tryk på den højre knap. En lampe popper op rettet mod nålens placering. Tryk på lampen for at lukke den ned.

8. PLADETALLERKEN

Pladetallerkenen er direkte forbundet med midterspindlen. Pladetallerkenen og midterspindlen holder en plade perfekt centreret. Pladetallerkenen roterer også pladen med en konstant hastighed.

9. PICKUPHUS TIL NÅL

Det medfølgende pickuphus bruges til at montere din nål på tonearmen.

10. KNAPPER TIL VALG AF HASTIGHED 33 O/MIN./45 O/MIN.

Når der trykkes på knapperne, roterer pladetallerkenen med 33 o/min. eller 45 o/min. En lysdiode lyser, når funktionen er aktiveret.

11. LÅSEMØTRIK PÅ PICKUPHUS

Når pickuphuset er fastgjort til tonearmen, fastholdes huset forsvarligt til tonearmen.

12. SKYDER TIL JUSTERING AF PITCH

Skyderen bruges til at justere procentdelen for afspilningspitchen (hastighed for pladetallerken).

13. LØFTEHÅNDTAG TIL TONEARM

Løftehåndtaget bruges til at løfte tonearmen over overfladen på en plade uden risiko for at skade pladen.

14. KLEMME OG STØTTE TIL TONEARM

Placer tonearmen på støtten, når pladespilleren ikke er i brug, eller under transport.

15. KONTROL MED ANTI-SKATING

Anti-skating påvirker tonearmen i indadgående retning for at undgå spring udad hen over pladen på grund af centrifugalkraften, der opstår ved pladetallerkenens rotation. Værdien for anti-skating skal svare til trykket af modvægten på nålen.

16. KONTRAVÆGT

Brug modvægten til at balancere tonearmen og til at justere nåletrykket.

17. EKSTRA NÅLEHOLDER

Udskæringen er designet til at rumme et pickuphus til en ekstra nål.

18. HÆNGSELHOLDERE TIL STØVLÅG

Fastgørelsespunkter til hængsler til støvlåg.

19. RCA-UDGANGSSTIK

Udgangen kan skifte mellem PHONO/LINE. Afhængigt af positionen for kontakten PHONO/LINE kan du slutte pladespilleren til alle PHONO/LINE-indgange. Slut RCA-kablerne (hvid = venstre kanal, rød = højre kanal) til PHONO-stikkene på din forstærker eller mixer. Slut jordforbindelsesledningen til jordforbindelsesterminalen på din forstærker eller mixer.

20. PHONO/LINE-KONTAKT

Kontakten bruges til at skifte tilstand for PHONOUDGANG eller LINEUDGANG.

21. USB-PORT (maks. tre meter langt USB-kabel)

Når du slutter pladespilleren til en computer via USB, kan du optage dine plader og gemme dem på harddisken ved hjælp af software. Du kan hente den gratis software her: <http://audacity.sourceforge.net/>

22. INDGANGSSTIK TIL JÆVNSTRØM**1. TEKNISKE DATA FOR DEN MEDFØLGENDE STRØMFORSYNING (en af to valgmuligheder)**

Information	Værdi	Værdi
Producentens navn eller varemærke, virksomhedsregistrering og adresse	HON-KWANG ELECTRIC CO., LTD.	SHENZHEN FU JIA APPLIANCE CO., LTD.
Modelnr.	HK-CW-120A200-CP	FJ-SW1202000N
Indgangsspænding	100-240 V vekselstrøm	100-240 V vekselstrøm
Indgangsfrekvens for vekselstrøm	50/60 Hz	50/60 Hz
Udgangsspænding	12 V jævnstrøm	12 V jævnstrøm
Udgangsstrøm	2 A	2 A
Udgangseffekt	24 W	24 W
Gennemsnitlig effektivitet i aktiv	≥ 86,2 %	≥ 86,2 %

tilstand		
Strømforbrug ved ingen belastning	Maks. 0,1 W	Maks. 0,1 W

2. BEMÆRKNINGER

- (1) Specifikationerne er med forbehold for ændringer for forbedringer efter forudgående forhandlinger.
- (2) Delene er med forbehold for ændringer for forbedringer inden for omfanget af specifikationerne.

Commaxx B.V. tilbyder service og garanti i overensstemmelse med europæisk lov, hvilket betyder, at i tilfælde af reparationer (både under og efter garantiperioden) skal du kontakte din lokale forhandler.

Vigtig meddelelse: Det er ikke muligt at sende produktet direkte til Commaxx B.V., hvis det kræver reparation.

Vigtig meddelelse: Hvis enheden åbnes eller på nogen måde tilgås af et ikke-godkendt servicecenter, bortfalder garantien.

Denne enhed er ikke egnet til professionel brug. I tilfælde af professionel brug bortfalder alle garantiforpligtelser fra producentens side.

Ansvarsfraskrivelse

Firmware og/eller hardwarekomponenter opdateres regelmæssigt. Derfor kan visse dele af vejledningen, specifikationerne og illustrationerne i vejledningen variere en smule fra dit faktiske produkt. Alle elementer, der beskrives i denne vejledning, er kun til illustration og gælder måske ikke i den givne situation. Ingen juridisk ret eller rettighed kan opnås fra beskrivelsen i denne vejledning.

Bortskaffelse af udtjente enheder



Dette symbol angiver, at det relevante elektriske produkt eller batteri indenfor Europa ikke må bortskaffes med almindeligt husholdningsaffald. For at sikre korrekt affaldsbehandling af produktet og batteriet skal du bortskaffe dem i overensstemmelse med gældende lokal lovgivning om bortskaffelse af elektrisk udstyr eller batterier. På den måde hjælper du med at bevare naturressourcer og forbedre miljøbeskyttelsen indenfor behandling og bortskaffelse af elektrisk affald (Direktiv om affald af elektrisk og elektronisk udstyr).

CE-mærke



Produkter med CE-mærket er i overensstemmelse med EMC-direktivet (2014/30/EU) og lavspændingsdirektivet (2014/35/EU), udstedt af Europa-Kommissionen.

Commaxx B.V., Wiebachstraat 37, NL-6466 NG Kerkrade, Holland, erklærer hermed, at dette produkt er i overensstemmelse med de væsentlige krav.

Du kan finde overensstemmelseserklæringen på techdoc@lenco.com

Service

Gå ind på www.lenco.com for at få yderligere oplysninger og support fra vores helpdesk

Commaxx B.V., Wiebachstraat 37, NL-6466 NG Kerkrade, Holland

VAR FÖRSIKTIG:

Att använda kontroller eller justeringar eller utföra andra förfaranden än de som anges häri kan leda till att du utsätts för farlig strålning.

FÖRSIKTIGHETSÅTGÄRDER INNAN ANVÄNDNING**HA DESSA INSTRUKTIONER I ÅTANKE:**

1. Täck inte över eller blockera några ventilationsöppningar. När enheten placeras på en hylla bör det lämnas 5 cm (2 tum) ledigt utrymme runt hela enheten.
2. Montera i enlighet med den medföljande användarmanualen.
3. Håll enheten borta från värmekällor såsom radiatorer, värmare, spisar, ljus och andra värmegenererande produkter eller öppen eld. Enheten kan endast användas i måttliga klimat. Extremt kalla eller varma omgivningar bör undvikas. Drifttemperatur mellan 0 och 35 °C.
4. Undvik att använda enheten nära starka magnetfält.
5. Elektrostatisk urladdning kan störa den normala användningen av den här enheten. Återställ och starta om enheten enligt instruktionsboken om så är fallet. Hantera försiktigt och använd i en statiskt fri miljö vid filöverföring.
6. Varning! För aldrig in ett föremål i produkten genom ventilerna eller öppningarna. Högsänkning flödar genom produkten och om du för in ett föremål kan det orsaka elektriska stötar och/eller kortslutning av interna komponenter. Spill inte vatten eller vätska på produkten av samma anledning.
7. Använd inte i våta eller fuktiga områden såsom badrum, ångfyllda kök eller i närheten av simbassänger.
8. Enheten får inte utsättas för dropp eller stänk och se till att inga föremål fyllda med vätskor såsom vaser placeras på eller i närheten av den.
9. Använd inte den här enheten när kondens kan uppstå. När enheten används i ett varmt och fuktigt rum kan vattendroppar eller kondens uppstå inuti enheten och enheten kanske inte fungerar som den ska. Låt enheten vara avstängd i en eller två timmar innan du slår på strömmen igen. Enheten ska vara torr innan strömmen slås på.
10. Även om denna enhet tillverkas med största omsorg och kontrolleras flera gånger innan den lämnar fabriken är det fortfarande möjligt att problem kan uppstå vilket gäller alla elektriska apparater. Om du märker rök, kraftig uppbyggnad av värme eller andra oväntade fenomen ska du omedelbart dra ur kontakten ur eluttaget.
11. Enheten måste drivas med en strömkälla såsom anges på de särskilda märkningskraven. Kontakta din återförsäljare eller lokala elbolag om du är osäker på vilken typ av strömförsörjning som används i ditt hem.
12. Håll på säkert avstånd från husdjur. Vissa djur kan bita på elkablar.
13. Använd en mjuk och torr trasa för att rengöra enheten. Använd inte lösningsmedel eller bensinbaserade vätskor. För att ta bort allvarliga fläckar kan du använda en fuktig trasa med utspätt rengöringsmedel.
14. Leverantören ansvarar inte för skador eller förlorade data orsakade av fel, missbruk, modifiering av enheten eller batteribyte.
15. Avbryt inte anslutningen när enheten formaterar eller överför filer. Data kan då bli skadade eller förloras.
16. Om enheten har en funktion med USB-uppspelning bör USB-minnet anslutas direkt till enheten. Använd inte en USB-förlängningskabel eftersom den kan orsaka störningar som kan leda till dataförlust.
17. Klassificeringsetiketten är placerad på enhetens undersida eller baksida.
18. Den här enheten är inte avsedd för att användas av personer (inklusive barn) med fysiska, sensoriska eller psykiska funktionshinder eller brist på erfarenhet och kunskap såvida de inte är under övervakning av eller har fått instruktioner om korrekt användning av enheten av den person som ansvarar för deras säkerhet.
19. Den här produkten är endast avsedd för icke-professionell användning och inte för kommersiellt eller industriellt bruk.
20. Se till att enheten är justerad till en stabil position. Skador orsakade av att använda den här produkten i ett instabilt läge med vibrationer eller stötar eller av att inte följa någon annan varning eller försiktighetsåtgärd i denna användarmanual täcks inte av garantin.
21. Ta aldrig bort enhetens hölje.
22. Placera aldrig enheten på annan elektrisk utrustning.
23. Låt inte barn ha tillgång till plastpåsar.
24. Använd endast tillbehör som anges av tillverkaren.
25. Överlåt all service till kvalificerad servicepersonal. Service krävs när enheten har skadats på något sätt, exempelvis på strömkabeln eller strömkontakten, när vätska har spillts eller föremål fallit in i den, när den har utsatts för regn eller fukt och inte fungerar normalt eller har tappats.
26. Lång exponering för höga ljud från musikspelare kan leda till tillfällig eller permanent hörselnedsättning.

27. Om produkten levereras med strömkabel eller nätadapter:

- Dra ur strömkabeln och kontakta behörig personal för service om ett problem uppstår.
- Trampa inte på nätadaptern och kläm den inte. Var mycket försiktig och då särskilt nära kontakter och kabelns uttag. Placera inte tunga föremål på nätadaptern då detta kan skada den. Håll hela enheten utom räckhåll för barn! När de leker med strömkabeln kan de skada sig själva.
- Koppla ur denna enhet under åskväder eller när den inte används under en längre period.
- Eluttaget måste finnas nära utrustningen och måste vara lättillgängligt.
- Överbelasta inte eluttaget eller förlängningssladdar. Överbelastning kan orsaka brand eller elektriska stötar.
- Enheter med klass 1-konstruktion bör anslutas till ett vägguttag med skyddsjord.
- Enheter med klass 2-konstruktion kräver ingen jordad anslutning.
- Håll alltid i kontakten när du drar ut den ur vägguttaget. Dra inte i strömkabeln. Detta kan orsaka en kortslutning.
- Använd inte en skadad strömkabel, strömkontakt eller ett löst vägguttag. Om du gör detta kan det orsaka brand eller elektriska stötar.

28. MONTERING:

- Packa upp alla delar och ta bort skyddsmaterialet.
- Anslut inte enheten till elnätet innan du kontrollerar nätspänningen och att alla andra anslutningar har gjorts.



Blixten med en pilspets som symbol, inom en liksidig triangel, är avsedd att uppmärksamma användaren på förekomsten av ej isolerad "farlig spänning" inom produktens hölje som kan vara tillräckligt stor för att utgöra en risk för elektriska stötar.



Utropstecknet inom en liksidig triangel är avsett att uppmärksamma användaren på förekomsten av viktiga användnings- och underhållsinstruktioner (service) i anvisningarna som medföljer apparaten.

VARNING!

För att reducera risken för brand eller elektrisk stöt får enheten inte utsättas för regn eller fukt. Enhet får inte utsättas för droppar eller stänkande vatten. Dessutom får inga föremål fyllda med vätskor, såsom vaser, placeras på enheten.



VAR FÖRSIKTIG: Ta inte bort något hölje för att reducera risken för elektriska stötar. Det finns inga delar inuti enhet som kan repareras av användaren. Service får endast utföras av kvalificerad servicepersonal.

STANDBY

Den här enhet har med ett automatiskt standby-läge som aktiveras automatiskt efter 20 minuters inaktivitet. I standby-läget reduceras skivspelarens strömförbrukning till mindre än 0,5 W för att undvika onödig strömförbrukning. Standby-läget avbryts automatiskt när varvtalsväljaren ställs in på en av de två varvtalen.

AUTOMATISK AVSTÄNGNING

Automatisk avstängning innebär att enheten stängs av automatiskt och slutar snurra, när en skiva spelas och tonarmen har kommit till skivans slut och därefter har snurrat i fem minuter. Samma sak inträffar om stiftet inte kommer i kontakt med ett inspelat spår på fem minuter.

TILLBEHÖR MEDFÖLJER

Bruksanvisning x 1	Pickupskal x 1	45 rpm adapter x 1
2-polig RCA-kabel x 1	Motvikt x 1	UL/PSE-strömkontakt x 1
Strömadapter x 1	USB-kabel x 1	Dammskydd x 1
Tallrik x 1	Filtmatta x 1	Gångjärn x 2

Anmärkning:

För strömadapter, L-3810/L-3828 är det en CE- och UK-version

För L-3828 är den medföljande pickupen AT-95E

MONTERING

Viss montering krävs innan den nya enheten kan börja användas. Följ monteringsanvisningen nedan innan den nya skivspelaren används.

Se till att alla delar och tillbehör är intakta innan monteringen.

OBS!

- Anslut inte strömadaptern till monteringen har slutförts.
- Kontrollera alla anslutningar en extra gång innan strömmen slås på. Stäng alltid av strömmen när en kabel ansluts eller kopplas bort.
- Läs bruksanvisningen noggrant innan enheten används. Förvara bruksanvisningen på en säker plats för framtida referens.
- Fäst en nål på ditt PICKUPSKAL innan skivspelaren monteras.

Montera ditt pickupskal:

Se bruksanvisningen för din specifika pickup när den ska monteras.

Fäst nålskyddet under monteringen för att skydda nålen från skador.

Anslut PICKUPSKALETS ledningarna till kontakterna på din pickup. Kontakterna på din pickup och ledningarna på PICKUPSKALET är färgkodade. Anslut varje ledning till kontakterna med motsvarande färg på din pickup.

Vit (L+)	Vänster kanal +
Blå (L-)	Vänster kanal –
Röd (R+)	Höger kanal +
Grön (R-)	Höger kanal –

Montera skivspelaren:

1. TA UT FRÅN FÖRPACKNINGEN:

Ta försiktigt ut huvudenheten med förpackningsmaterialet intakt från kartongen. Ta bort förpackningsmaterialet först efter att enheten har tagits ut från fraktkartongen. Se till att även ta ut alla tillbehör som finns i förpackningsmaterialet.

2. 45 RPM ADAPTER:

Hitta och ta bort 45 rpm adaptern från förpackningsmaterialet och placera den i 45 rpm adaptorns skåra ovanpå huvudenheten.

3. TALLRIK:

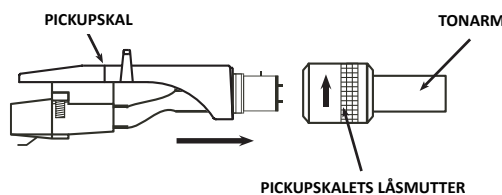
Ta bort tallriken från förpackningsmaterialet och placera den försiktigt på skrivspelarens SPINDEL.

4. SLIPMAT:

Ta bort den svarta slipmat från förpackningen och placera den på TALLRIKEN.

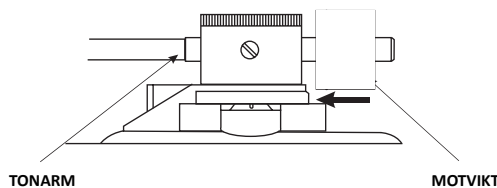
5. PICKUPSKAL:

Anslut PICKUPSKALET på den främre änden av TONARMEN. Håll stadigt i PICKUPSKALET och placera det på den främre änden av tonarmen. Roter PICKUPSKALET LÅSMUTTER moturs för att fästa det ordentligt till TONARMEN.



6. MOTVIKT:

Hitta och ta bort tonarmens MOTVIKT från förpackningen. Skjut MOTVIKTEN på baksidan av TONARMEN. Roter den lätt och den skruvas fast på tonarmens bakre axel.



ANSLUTNING

Innan enheten ansluts rekommenderas det att du även läser din nuvarande utrustnings bruksanvisning.

1. Se till att stänga av ljudenheten, såsom en stereoanläggning eller förstärkare, innan anslutning sker.

Se till att alla anslutningar utförs innan du ansluter strömadaptern till ett vägguttag.

Obs: Placera strömadaptern så långt bort från skivspelaren som möjligt för att undvika störningar av störningar.

2. Anslut RCA-kabeln till PHONO-ingången på FÖRSTÄRKAREN när omkopplaren PHONO/LINE ställs till läget PHONO. Du kan även använda en linjeingång genom att ställa omkopplaren PHONO/LINE på baksidan av skivspelaren till LINE.

Utgångar

- V (vit)
- H (röd)
- GND (svart)

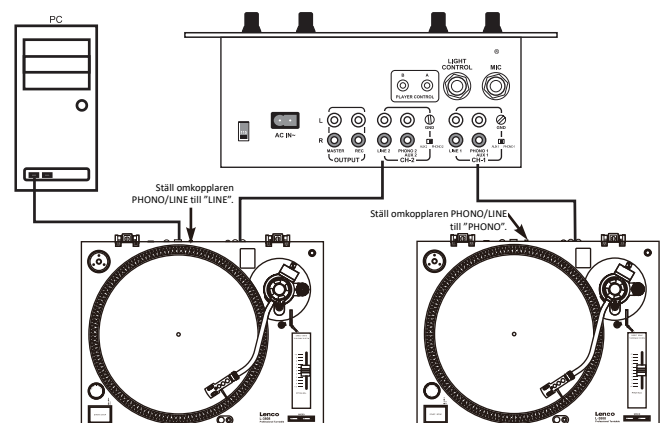
Förstärkare (mottagare)

- V kanal
- H kanal
- GND

OBS: Se att ansluta den jordade kontakten ordentligt till förstärkaren eller mottagaren.

Om den här anslutning inte utförs eller är lös hörs ett "hummande" ljud från strömkällan.

3. Ansluta en dator via USB-kabeln.



Placera skivspelaren:

1. Placera inte enheten på en plats där den utsätts för direkt solljus eller nära någon typ av apparat som avger värme.
2. Placera inte enheten på en plats med hög luftfuktighet eller mycket damm.
3. Pickupen kan registrera lätta ljudtryck eller -vibrationer från närliggande högtalare. Placera inte den här enhet för nära högtalarna för bästa resultat.
4. Placera den här enheten på en horisontell yta som är stabil och vibrationsfri.
5. Gummifötterna har designats speciellt för att isolera enheten från överdriven vibration. Fötterna kan även användas för att nivellera huvudenheten horisontellt. Vrid fötterna medurs eller moturs för att justera höjden på enheten.

Tonarmens balans och nålens tryck:

Justera standardvärde för horisontell balans och nålens tryck:

9. Ta bort nålens skyddshölje om den har ett sådant. Rör aldrig vid nålens spets under justeringen.
10. Sänk TONARMSSPAKEN.
11. Frigör tonarmens klämma och lossa den från vaggan.
12. Ställ in ANTISKATE-justeringen till noll.
13. Roter motvikten i endera riktning till TONARMEN är perfekt horisontellt balanserad (hänger fritt).
14. Placera TONARMEN på vaggan ingen och lås fast den på plats.
15. Håll fast MOTVIKTEN med en hand och rotera endast ringen för nåltrycket för att föra numret "0" i linje med centerlinjen på tonarmens bakre axel.
16. Roter MOTVIKTEN moturs till värdet på skalan motsvarar det rekommenderade nåltrycket.

Obs: Det rekommenderade nåltrycket för pickupen (tillval) som kan ha medföljt enheten är 2 gram. Se tillverkarens specifikation som medföljer pickupen för alla andra pickupsystem.

Antiskate:

Antiskate-justeringen förhindrar att TONARMEN hoppar på skivan på grund av centrifugalkraften som orsakas av att TALLRIKEN roterar. Kontrollvredet för ANTISKATE ska ställas in på samma värde som nåltrycket. Om MOTVIKTEN är inställd på till exempel 2,5 gram bör även ANTISKATE-värdet ställas in på 2,5.

SNABBSTART

Snabbstart för skivspelaren:**1. Ändra tallrikens hastighet**

Använd varvtalsväljarna för att ändra tallrikens varvtal. Varvtalsväljarna för 33 rpm och 45 rpm ändrar tallrikens rotation.

2. Starta och stoppa tallriken

Använd KNAPPEN START/STOP för att växla fram och tillbaka mellan tallrikens lägen för rotation och paus.

3. Tonhöjds kontroll

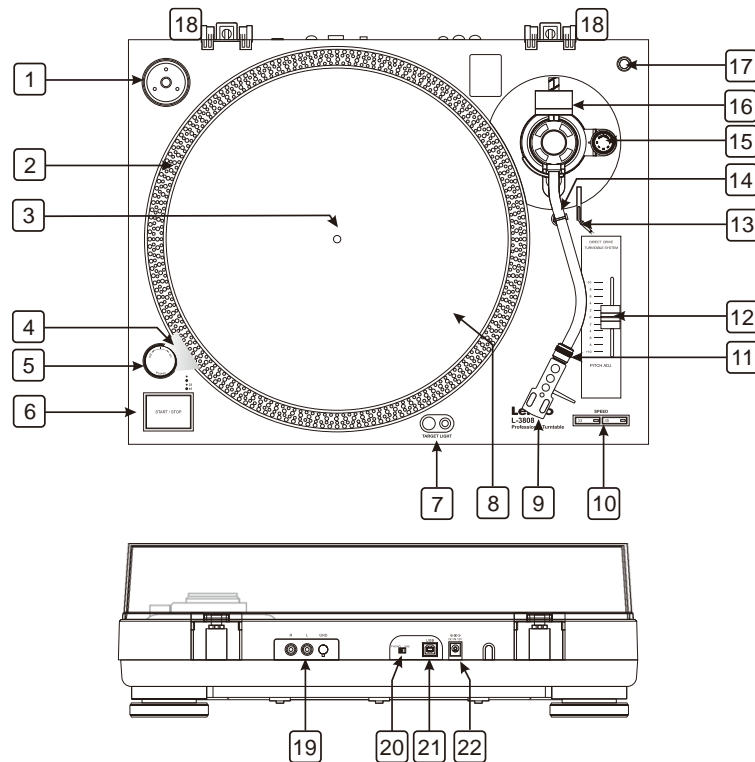
(5) Justeringen av tonhöjden är en finjustering av tallrikens varvtal.

(6) Justeringen av tonhöjden är variabel och kan justeras mellan -10 och +10 % av tallrikens valda varvtal.

(7) Tonhöjden justeras genom att skjuta tonhöjdsreglaget upp eller ner.

(8) STROBE-INDIKATORER på kanten av TALLRIKEN kan användas för att visuellt finjustera tallrikens tonhöjd. Dessa indikatorer lyses upp av STROBE-INDIKATORNS PILOTLAMPA när de roterar förbi STRÖMBRYTAREN. Vid olika tonhöjder kan varje rad med STROBE-INDIKATORER verka stå stilla.

Obs: Om stark lysrörsbelysning används direkt ovanför skivspelaren kan den vara starkare än effekten från STROBE-INDIKATORNS PILOTLAMPA och påverkar noggrannheten.



1. EP-ADAPTER

Den här adaptern låter dig spela upp vanliga 7 tum EP-vinylskivor med stora mitthål. Placera adaptern på spindeln på 7 tum skivor.

2. STROBE-INDIKATORER

TALLRIKEN har fyra rader med indikatorer. Dessa indikatorer används för att visuellt indikera olika tonhöjder. Indikatorerna är upplysta av STROBE-INDIKATORNS PILOTLAMPA. Varje rad kan se ut att stå stilla på olika tonhöjder.

Obs: Om stark lysrörsbelysning används direkt ovanför skivspelaren kan den vara starkare än effekten från STROBE-INDIKATORNS PILOTLAMPA och påverkar noggrannheten.

3. SPINDEL

Spindeln håller skivor stabila och centrerade på skivspelarens tallrik.

4. STROBE-INDIKATORNS PILOTLAMPA

Pilotlampan är en lampa som är specifikt designad för att skicka en pulserande ljusstråle mot STROBE-INDIKATORERNA på skivspelarens TALLRIK. Den skapar en illusion av att indikatorerna inte snurrar vid vissa hastigheter.

5. STRÖMBRYTARE

Denna är en roterande strömbrytare. Roter strömbrytaren medurs för att slå på huvudströmmen. Roter strömbrytaren moturs för att stänga av huvudströmmen.

6. START/STOP-KNAPP

Den här överdimensionerade tryckknappen kontrollera tallriken rörelse. När enheten slås på börjar inte tallriken automatiskt att snurra. Trycker på knappen en gång för att koppla in motorn med högt vridmoment och snurra tallriken. Om du trycker på knappen igen stoppas tallriken.

7. INRIKTNINGSBELYSNING

Tryck på höger knapp för att höja en lampa riktad mot nålens position. Tryck ned på själva lampan för att förvara den.

8. TALLRIK

Den här tallriken ansluts direkt till spindeln. Tallriken och spindeln håller en vinylskiva perfekt i mitten. Tallriken snurrar även skivan med en jämn hastighet.

9. PICKUPSKAL

Det medföljande PICKUPSKALET används för att ansluta nålen till tonarmen.

10. KNAPPAR FÖR ATT VÄLJA VARVTAL MELLAN 33/45 RPM

Att trycka på dessa knappar rotera tallriken med 33 eller 45 rpm. En funktions-LED lyser när den här funktionen är aktiverad.

11. PICKUPSKALET SÄKRAR LÅSMUTTER

Den här låsmuttern säkrar pickupskalet på tonarmen efter montering.

12. SKJUTREGLAGE FÖR ATT JUSTERA TONHÖJD

Det här skjutreglage används för att justera uppspelningens tonhöjd i procent (tallrikens varvtal).

13. TONARMSSPAK

Den här spaken används för att säkert lyfta tonarmen över en skivas yta utan att den kan skadas.

14. TONARMENS KLÄMMA OCH VAGGA

Använd den här vaggan för att säkert hålla tonarmen på plats när den inte används och under transport.

15. ANTISKATE-KONTROLL

Antiskate-funktionen tillämpar en inåtgående kraft på tonarmen för att förhindra att den hoppar utåt över skivan på grund av centrifugalkraften som orsakas av tallrikens rotation. Antiskate-värdet ska vara lika med nålens motviktstryck.

16. MOTVIKT

Använd motvikten för att balansera tonarmen och justera nåltrycket.

17. EXTRA NÅLHÅLLARE

Den här skåran har designats för att säkert förvara ett extra pickupskal.

18. PLATS FÖR DAMMSKYDDETS GÅNGJÄRN

Fästpunkter för dammskyddets gångjärn.

19. RCA-UTTAG

Utmatningen kan växlas mellan PHONO/LINE-utmatning. Beroende på positionen för phono/line-omkopplaren kan skivspelaren anslutas till valfri phono- eller linjeingång. Anslut RCA-kablarna (vit=vänster kanal, röd=höger kanal) till Phono-uttagen på en förstärkare eller mixer. Anslut den jordade kabeln till en jordad kontakt på en förstärkare eller mixer.

20. PHONO/LINE-OMKOPPLARE

Den här omkopplaren används för att ändra läget mellan PHONO- eller LINE-UTMANING.

21. USB-UTTAG (USB-kabeln bör vara kortare än 3 m)

Efter att skivspelaren har anslutits till datorn via USB kan du spela in vinylskivan på hårddisken med en programvara. Du kan ladda ned en kostnadsfri programvara på <http://audacity.sourceforge.net/>

22. DC IN-UTTAG**1. TEKNISKA DATA FÖR MEDFÖLJANDE STRÖMFÖRSÖRJNING (ett av de två alternativen)**

Information	Värde och precision	Värde och precision
Tillverkarens namn eller varumärke, kommersiellt registreringsnummer och adress	HON-KWANG ELECTRIC CO.,LTD.	SHENZHEN FU JIA APPLIANCE CO., LTD.
Modellidentifierare	HK-CW-120A200-CP	FJ-SW1202000N
Inspänning	100–240 VAC	100–240 VAC
Inmatningens AC-frekvens	50/60 Hz	50/60 Hz
Utspänning	12 VDC	12 VDC
Utström	2 A	2 A
Uteffekt	24 W	24 W
Genomsnittlig aktiv effektivitet	≥86,20 %	≥86,20 %

Effektförbrukning utan belastning	Max. 0,1 W	Max. 0,1 W
-----------------------------------	------------	------------

2. **OBS!**

- (3) Specifikationerna kan ändras vid eventuella förbättringar och meddelas i förväg.
- (4) Komponenterna kan ändras vid eventuella förbättringar inom specifikationernas intervall.

Commaxx B.V. erbjuder service och garanti i enlighet med europeisk lagstiftning, vilket innebär att du, vid reparationer (både under och efter garantins giltighetsperiod) ska kontakta din lokala återförsäljare.

Viktig anmärkning: Det finns inga möjligheter att skicka produkter som är i behov av reparation direkt till Commaxx B.V.

Viktig anmärkning: Om denna enhet öppnas eller görs åtkomlig av ett icke officiellt servicecenter på något sätt, anses garantin vara utan laga kraft.

Denna enhet är inte lämplig för yrkesmässig användning. Vid yrkesmässig användning, upphör samtliga garantier från tillverkaren att gälla.

Friskrivningsklausul

Uppdateringar av hård mjukvara och/eller hårdvarukomponenter görs regelbundet. Därmed kan vissa anvisningar, specifikationer och bilder i denna dokumentation skilja sig något från din särskilda situation. Alla artiklar beskrivna i denna guide är endast för illustration och kan inte tillämpas på någon speciell situation. Inga juridiska rättigheter eller anspråk kan erhållas från beskrivningen i denna manual.

Bortskaffande av gammal enhet



Denna symbol anger att den relevanta elektriska produkten eller batteriet ska inte kasseras i det allmänna hushållsavfallet i Europa. När den korrekta avfallsbehandlingen för produkten och batteriet ska säkerställas, ska elektrisk utrustning eller batterier kasseras i enlighet med varje krav på tillämplig lokal lagstiftning. Genom detta handlande, bidrar du till att återvinna naturresurser och förbättra normer för miljöskydd och kassering av elektrisk avfall (elektrisk och elektronisk utrustning).

CE-märkning



Produkter med CE-märkning uppfyller EMC-direktiv (2014/30/EU) och lågspänningsdirektiv (2014/35/EU) utfärdat av EU-kommissionen.

Härmed deklarerar Commaxx B.V. Wiebachstraat 37, 6466 NG Kerkrade, att den här produkten uppfyller EU:s väsentliga direktivkrav.

Deklarationen om överensstämmelse kan läsas på techdoc@lenco.com

Service

För mer information och support via vår helpdesk går du till www.lenco.com

Commaxx B.V. Wiebachstraat 37, 6466 NG Kerkrade, Nederländerna