

Classic Phono by **Lenco**

Model TT-34



User Manual Wooden Turntable with USB Connection

Gebruikershandleiding houten platenspeler met USB-aansluiting

Benutzerhandbuch Holzplattenspieler mit USB-Anschluss

Mode d'emploi du Tourne-disque en bois équipé d'un port USB

Manual de usuario del tocadiscos de madera con conexión USB

Giradischi in legno con collegamento USB: manuale d'uso

Brugervejledning til pladespiller i træ med USB-tilslutning

Bruksanvisning för skivspelare i trä med USB-anslutning

Käyttöopas, puinen levysoitin USB-liitännällä

Index

English 3
Nederlands 14
Deutsch 25
Français 38
Español 49
Italiano 61
Dansk/Norsk 72
Svenska 83
Suomi 94

CAUTION:

Usage of controls or adjustments or performance of procedures other than those specified herein may result in hazardous radiation exposure.

PRECAUTIONS BEFORE USE

KEEP THESE INSTRUCTIONS IN MIND:

1. Do not cover or block any ventilation openings. When placing the device on a shelf, leave 5 cm (2") free space around the whole device.
2. Install in accordance with the supplied user manual.
3. Keep the device away from heat sources such as radiators, heaters, stoves, candles and other heat-generating products or naked flame. The device can only be used in moderate climates. Extremely cold or warm environments should be avoided. Working temperature between 0° and 35°C.
4. Avoid using the device near strong magnetic fields.
5. Electrostatic discharge can disturb normal usage of this device. If so, simply reset and restart the device following the instruction manual. During file transmission, please handle with care and operate in a static-free environment.
6. Warning! Never insert an object into the product through the vents or openings. High voltage flows through the product and inserting an object can cause electric shock and/or short circuit internal parts. For the same reason, do not spill water or liquid on the product.
7. Do not use in wet or moist areas such as bathrooms, steamy kitchens or near swimming pools.
8. The device shall not be exposed to dripping or splashing and make sure that no objects filled with liquids, such as vases, are placed on or near the apparatus.
9. Do not use this device when condensation may occur. When the unit is used in a warm wet room with damp, water droplets or condensation may occur inside the unit and the unit may not function properly; let the unit stand in power OFF for 1 or 2 hours before turning on the power: the unit should be dry before getting any power.
10. Although this device is manufactured with the utmost care and checked several times before leaving the factory, it is still possible that problems may occur, as with all electrical appliances. If you notice smoke, an excessive build-up of heat or any other unexpected phenomena, you should disconnect the plug from the main power socket immediately.
11. This device must operate on a power source as specified on the specification label. If you are not sure of the type of power supply used in your home, consult your dealer or local power company.
12. Keep away from animals. Some animals enjoy biting on power cords.
13. To clean the device, use a soft dry cloth. Do not use solvents or petrol based fluids. To remove severe stains, you may use a damp cloth with dilute detergent.
14. The supplier is not responsible for damage or lost data caused by malfunction, misuse, modification of the device or battery replacement.
15. Do not interrupt the connection when the device is formatting or transferring files. Otherwise, data may be corrupted or lost.
16. If the unit has USB playback function, the USB memory stick should be plugged into the unit directly. Don't use an USB extension cable because it can cause interference resulting in failing of data.
17. The rating label has been marked on the bottom or back panel of the device.

18. This device is not intended for use by people (including children) with physical, sensory or mental disabilities, or a lack of experience and knowledge, unless they're under supervision or have received instructions about the correct use of the device by the person who is responsible for their safety.
19. This product is intended for non professional use only and not for commercial or industrial use.
20. Make sure the unit is adjusted to a stable position. Damage caused by using this product in an unstable position vibrations or shocks or by failure to follow any other warning or precaution contained within this user manual will not be covered by warranty.
21. Never remove the casing of this device.
22. Never place this device on other electrical equipment.
23. Do not allow children access to plastic bags.
24. Only use attachments/accessories specified by the manufacturer.
25. Refer all servicing to qualified service personnel. Servicing is required when the device has been damaged in any way, such as the power supply cord or the plug, when liquid has been spilled or objects have fallen into the device, when the device has been exposed to rain or moisture, does not operate normally, or has been dropped.
26. Long exposure to loud sounds from personal music players may lead to temporary or permanent hearing loss.
27. If the product is delivered with power cable or AC power adaptor:
 - If any trouble occur, disconnect the AC power cord and refer servicing to qualified personnel.
 - Don't step on or pinch the power adaptor. Be very careful, particularly near the plugs and the cable's exit point. Do not place heavy items on the power adaptor, which may damage it. Keep the entire device out of children's reach! When playing with the power cable, they can seriously injure themselves.
 - Unplug this device during lightning storms or when unused for a long period.
 - The socket outlet must be installed near the equipment and must be easily accessible.
 - Do not overload ac outlets or extension cords. Overloading can cause fire or electric shock.
 - Devices with class 1 construction should be connected to a main socket outlet with a protective earthed connection.
 - Devices with class 2 construction do not require a earthed connection.
 - Always hold the plug when pulling it out of the main supply socket. Do not pull the power cord. This can cause a short circuit.
 - Do not use a damaged power cord or plug or a loose outlet. Doing so may result in fire or electric shock.
28. If the product contains or is delivered with a remote control containing coin/cell batteries:
Warning:
 - "Do not ingest battery, Chemical Burn Hazard" or equivalent warning.
 - [The remote control supplied with] This product contains a coin/button cell battery. If the battery is swallowed, it can cause severe internal burns in just 2 hours and can lead to death.
 - Keep new and used batteries away from children.
 - If the battery compartment does not close securely, stop using the product and keep it away from children.
 - If you think batteries might have been swallowed or placed inside any part of the body, seek immediate medical attention.

29. Caution about the use of Batteries:

- Danger of explosion if battery is incorrectly replaced. Replace only with the same or equivalent type.
- Battery cannot be subjected to high or low extreme temperatures, low air pressure at high altitude during use, storage or transportation.
- Replacement of a battery with an incorrect type that can result in an explosion or the leakage of flammable liquid or gas.
- Disposal of a battery into fire or a hot oven, or mechanically crushing or cutting of a battery, that can result in an explosion.
- Leaving a battery in an extremely high temperature surrounding environment that can result in an explosion or that leakage of flammable liquid or gas.
- A battery subjected to extremely low air pressure that may result in an explosion or the leakage of flammable liquid or gas.
- Attention should be drawn to the environmental aspects of battery disposal.

INSTALLATION

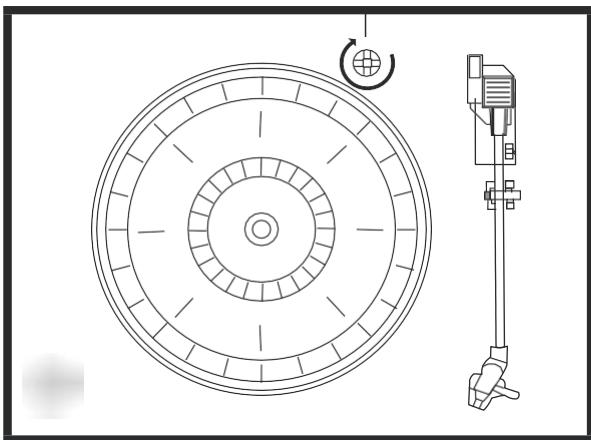
- Unpack all parts and remove protective material.
- Do not connect the unit to the mains before checking the mains voltage and before all other connections have been made.

PREPARATION FOR USE

UNPACKING AND SET UP

- Carefully remove the unit from the display carton and remove all packing material from the unit.
- Unwind the AC power plug and extend it to its full length.
- Place the unit on a stable, level surface, convenient to an AC outlet, out of direct sunlight, and away from source of excess heat, dust, moisture, humidity or strong magnetic field.
- Connect the plug to your AC outlet.
- Raise the lid to expose the phonograph. The phonograph has been secured for shipment with a transit screw.
- Use a coin or screwdriver to turn the transit screw clockwise. This will allow the turntable to “float”.

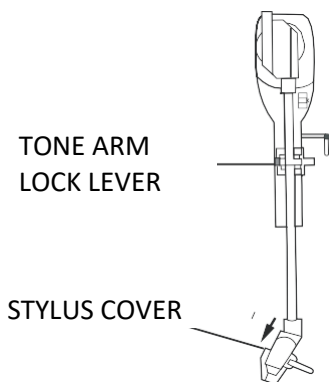
TRANSIT SCREW



- Remove the opaque white plastic stylus cover from the phonograph stylus by sliding it in the direction of the arrow.

Discard the stylus cover.

- Remove the twist-tie that was used to secure the tone arm during shipment.
- Release the tone arm lock lever.
- Connect the plug to your AC outlet.



TONE ARM
LOCK LEVER

STYLUS COVER

POWER SOURCE

- This system uses an AC adaptor.
- You should have your outlet changed by a qualified licensed electrician.
- In order to make operation run correctly, the power plug and power jack should be a suitable match.

IMPORTANT: Raising and Lowering the Lid

To open the lid, raise it as far as it will go until the lid support bracket “locks” in the open position.

To close the lid, lift it upward slightly until the lid support bracket “unlocks”, and then gently lower the lid.

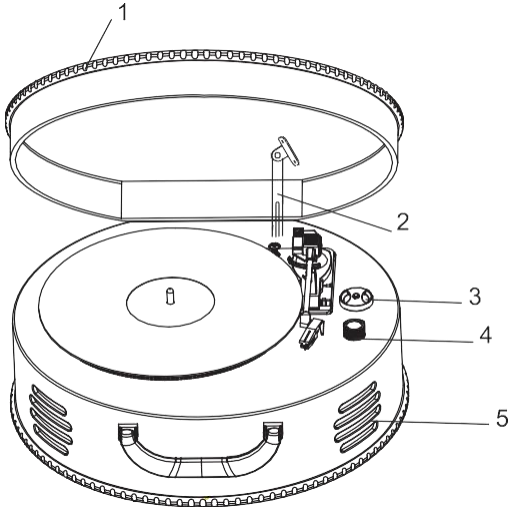
TO AVOID DAMAGING THE CABINET OR THE LID, NEVER FORCE THE LID

PROTECT YOUR FURNITURE

This model is equipped with non-skid rubber “feet” to prevent the product from moving when you operate the controls. These “feet” are made from non-migrating rubber material specially formulated to avoid leaving any marks or stains on your furniture. However certain types of oil based furniture polishes, wood preservatives, or cleaning sprays may cause the rubber “feet” to soften, and leave marks or a rubber residue on the furniture. To prevent any damage to your furniture we strongly recommend that you purchase small self-adhesive felt pads, available at hardware stores and home improvement centers and apply these pads to the bottom of the rubber “feet” before you place the product on fine wooden furniture.

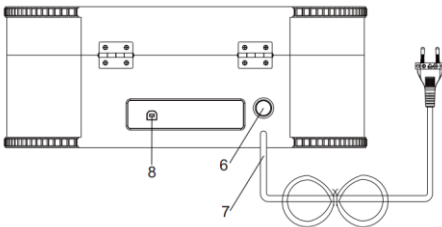
LOCATION OF CONTROLS AND INDICATORS

FRONT PANEL



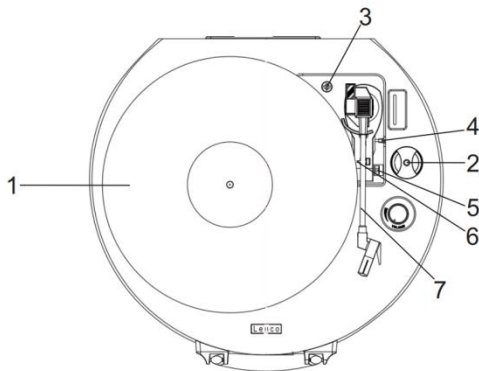
- 1) PHONOGRAPH LID
- 2) PHONOGRAPH LID SUPPORT BRACKET
- 3) 45RPM ADAPTOR
- 4) VOLUME CONTROL
- 5) SPEAKERS

BACK PANEL



- 6) POWER ON/OFF BUTTON
- 7) AC POWER CORD
- 8) USB SOCKET

PHONOGRAPH



- 1) Turntable
- 2) 45RPM Adaptor
- 3) Transit Screw
- 4) Cue Lever
- 5) Speed Selector (33&45&78RPM)
- 6) Tone Arm Lock
- 7) Tone Arm with Stylus

PLAYING RECORDS

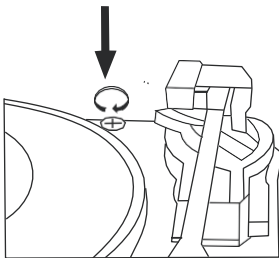
This system includes a full-size, 3-speed, belt-drive turntable. You can play 33, 45, and 78RPM records.

- 1) Press the POWER button to turn on the unit.
- 2) Make sure that you have removed the stylus cover from the stylus and have released the Tone Arm Lock that secured the tone arm to the tone arm rest.
- 3) Set the turntable Speed Selector to the appropriate speed, 33, 45, or 78RPM. If you are playing 45RPM singles, place the 45RPM adapter on the center spindle.
- 4) Place your record on the center spindle.
- 5) Raise the CUE lever to lift the tone arm off its rest. Move the tone arm to the edge of the record. The turntable starts automatically. Use the CUE lever to gently lower the tone arm onto the record.
- 6) When the tone arm reaches the end of the record it automatically returns to the tone arm rest and the record player stops.
- 7) To turn the system "Off", press and hold the POWER button 2 seconds.

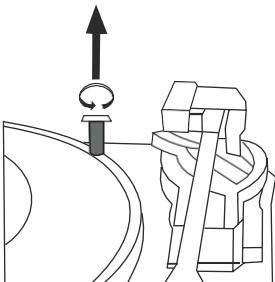
NOTE: Do not turn or stop the turntable manually, Moving or jarring the Turntable without securing the Tone Arm clamp could result in damage to the Tone Arm.

IMPORTANT

- TO PROTECT THE TURNTABLE FROM DAMAGE DURING TRANSPORTATION, A SILVER TRANSIT SCREW IS LOCATED AT THE UPPER RIGHT OF THE TURNTABLE PLATFORM.
- BEFORE PLAYING, PLEASE USE A SCREWDRIVER TO TURN THE TRANSIT SCREW IN CLOCKWISE DIRECTION (SCREW GOING DOWN) COMPLETELY TO UNLOCK THE TURNTABLE.



- TO LOCK THE TURNTABLE AGAIN FOR TRANSPORTATION, PLEASE TURN THE SCREW IN COUNTER-CLOCKWISE DIRECTION.



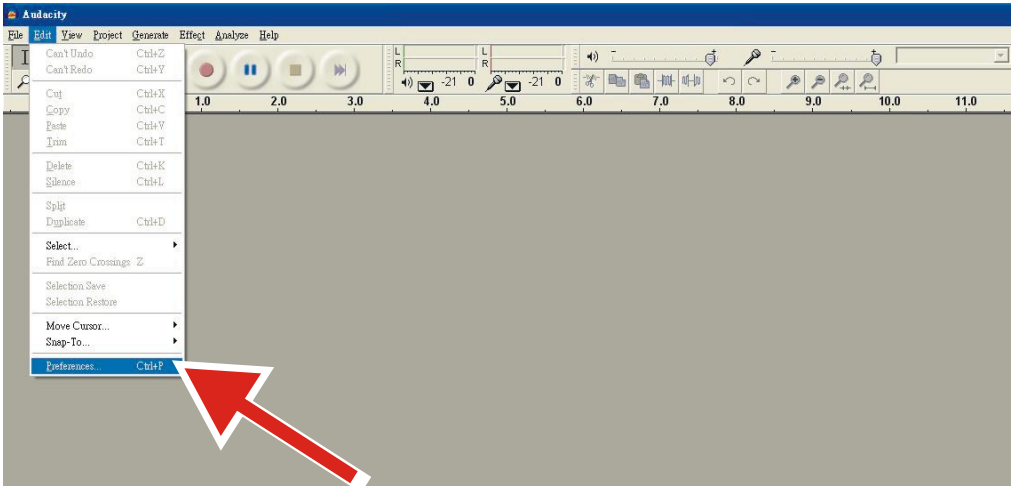
AUDACITY SOFTWARE OVERVIEW

Audacity is free software, licensed under the GNU General Public License (GPL). More information as well as open source code can be found on the web at <https://www.audacityteam.org/download/>

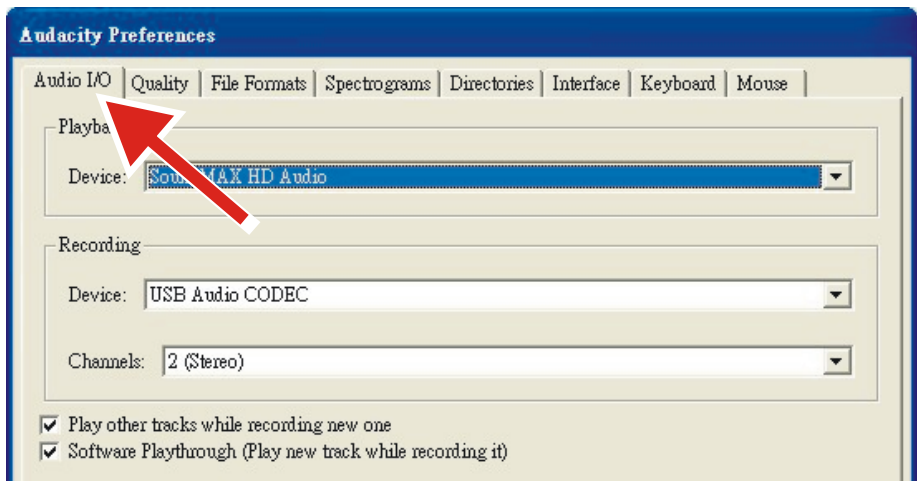
* Please ensure you have installed the software before starting.

Setting up your PC to work with Audacity

1. Connect an input source to the unit.
2. Connect the USB lead to your computer.
3. Install the Audacity recording software.
4. Open the Audacity program.
5. Select Preference from the Edit tab in the Audacity Menu.



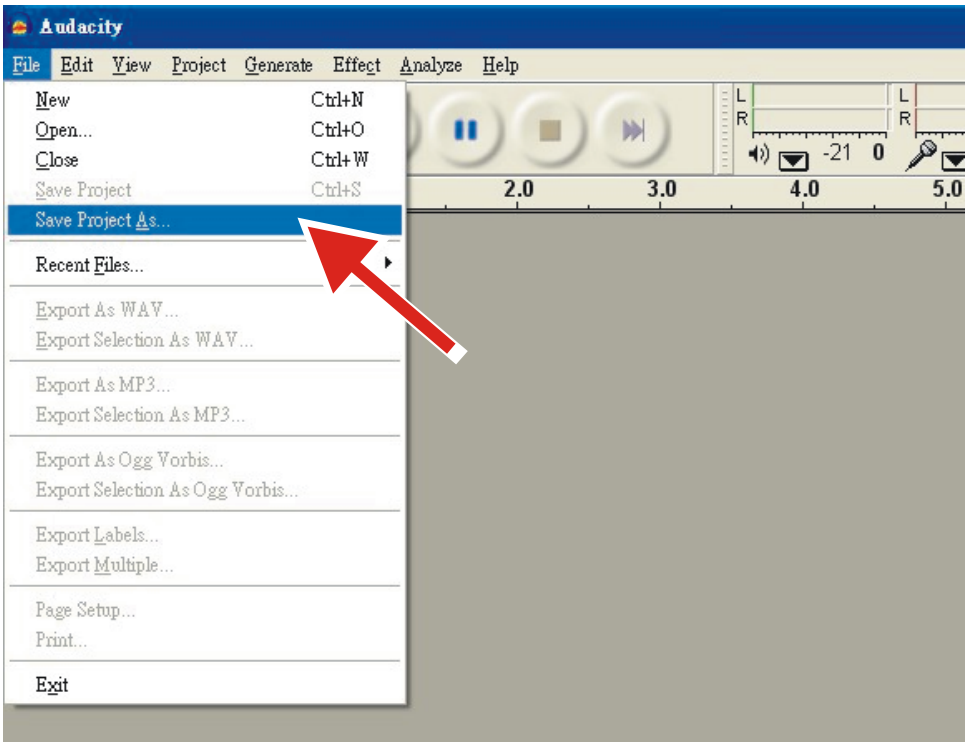
6. Select **Audio I/O** tab at the top left.
 - Under Playback, Device, select **your internal sound card**.
 - Under Recording, Device, select **USB Audio CODEC**.
 - Under Recording, Channels, select **2 (Stereo)**.
 - Check the box marked **Play other tracks while recording new one**.
 - Check the box marked **Software Playthrough**.



Recording Albums with Audacity


1. Saving a project

- Audacity writes all the changed and recorded audio to a directory called **Projectname_data**, which is located right where you saved the project file itself.
- Thus, select **Save Project as** from your Audacity File tab and choose a location and filename for your project.
- Please note that when you startup Audacity fresh, only the “**Save As...**” menu option is available.




2. How to record

- Set your USB turntable up to play the song or album you want to record.

- Click on the red Record button  to begin recording.

- Lower tone arm on USB turntable onto album and track you want to record.

- Click on the blue Pause button  to pause the recording. Press it again to continue.

- Click on the yellow Stop button. 

That's it. You can now play around with your recording and explore the editing capabilities of Audacity. Remember that you can use the Undo function almost without limits while the project is open.

NOTE: CD's cannot be burned directly from the Audacity application. Other CD burning applications should be used.

1. Guarantee

Commaxx B.V. offers service and warranty in accordance to European law, which means that in case of repairs (both during and after the warranty period) you should contact your local dealer.

Important note: It is not possible to send products that need repairs to Commaxx B.V. directly.

Important note: If this unit is opened or accessed by a non-official service center in any way, the warranty expires.

This device is not suitable for professional use. In case of professional use, all warranty obligations of the manufacturer will be voided.

2. Disclaimer

Updates to Firmware and/or hardware components are made regularly. Therefore some of the instruction, specifications and pictures in this documentation may differ slightly from your particular situation. All items described in this guide for illustration purposes only and may not apply to particular situation. No legal right or entitlements may be obtained from the description made in this manual.

3. Disposal of the Old Device



This symbol indicates that the relevant electrical product or battery should not be disposed of as general household waste in Europe. To ensure the correct waste treatment of the product and battery, please dispose them in accordance to any applicable local laws of requirement for disposal of electrical equipment or batteries. In so doing, you will help to conserve natural resources and improve standards of environmental protection in treatment and disposal of electrical waste (Waste Electrical and Electronic Equipment Directive).

4. CE Marking

Hereby, Commaxx B.V. Wiebachstraat 37, 6466 NG Kerkrade, The Netherlands, declares that this product is in compliance with the essential EU directive requirements.

The declaration of conformity may be consulted via techdoc@commaxxgroup.com



5. Service

For more information and helpdesk support, please visit www.lenco.com

Commaxx B.V. Wiebachstraat 37, 6466 NG Kerkrade, The Netherlands.

LET OP:

Het gebruik van afstandsbedieningen of aanpassingen of de uitvoering van procedures die niet in dit document zijn gespecificeerd, kan leiden tot gevaarlijke blootstelling aan straling.

VOORZORGSMAATREGELEN VOOR GEBRUIK

ONTHOUD DE VOLGENDE INSTRUCTIES:

1. Bedek of blokkeer de ventilatieopeningen niet. Wanneer u het apparaat op een schap plaatst, dient u 5 cm (2") vrije ruimte rondom het gehele apparaat te behouden.
2. Installeer het product volgens de meegeleverde gebruikershandleiding.
3. Houd het apparaat uit de buurt van hittebronnen, zoals radiatoren, verwarmingen, kachels, kaarsen en andere hittegenererende producten of open vuur. Het apparaat kan alleen worden gebruikt in een gematigd klimaat. Extreem koude of warme omgevingen dienen te worden vermeden. Het bedrijfstemperatuurbereik ligt tussen 0 °C en 35 °C.
4. Gebruik dit apparaat niet in de buurt van krachtige magnetische velden.
5. Elektrostatische ontlading kan normaal gebruik van dit apparaat verstoren. U hoeft het apparaat in dit geval slechts te resetten en opnieuw op te starten volgens de gebruikershandleiding. Wees voorzichtig tijdens bestandsoverdracht en gebruik het product in een omgeving zonder statische interferentie.
6. Waarschuwing! Steek nooit een voorwerp via de ventilatie- of andere openingen in het product. Er is hoogspanning in het product aanwezig en als u er een object insteekt, kan dat een elektrische schok veroorzaken en/of kortsluiting in de interne onderdelen. Mors om dezelfde reden geen water of vloeistof op het product.
7. Gebruik het toestel niet in vochtige ruimtes, zoals badkamers, stomende keukens of in de buurt van zwembaden.
8. Het apparaat mag niet worden blootgesteld aan druppels en spetters en zorg ervoor dat er geen met vloeistof gevulde voorwerpen, zoals vazen, op of in de buurt van het apparaat worden geplaatst.
9. Gebruik dit apparaat niet wanneer condensatie kan optreden. Wanneer het apparaat in een warme, natte ruimte wordt gebruikt, kunnen zich waterdruppels of condens vormen in het apparaat en kan het apparaat niet goed functioneren. Laat het apparaat 1 of 2 uur uit staan voordat u het inschakelt: het apparaat dient droog te zijn voordat deze stroom ontvangt.
10. Alhoewel dit apparaat met grote zorg gefabriceerd en verschillende keren geïnspecteerd is voordat het de fabriek verlaat, is het nog steeds mogelijk dat er problemen optreden, zoals met alle elektrische apparaten. Als u rook, een overmatige hitteontwikkeling of enig ander onverwacht verschijnsel opmerkt, moet u onmiddellijk de stekker van het netsnoer uit het stopcontact halen.
11. Dit apparaat moet worden gebruikt met een voedingsbron zoals gespecificeerd op het specificatielabel. Als u twijfelt over het type voeding dat gebruikt wordt in uw huis, raadpleeg dan uw dealer of plaatselijk energiebedrijf.
12. Buiten bereik van dieren houden. Sommige dieren kauwen graag op voedingskabels.
13. Gebruik een zacht, droog doekje om het apparaat te reinigen. Gebruik geen oplosmiddelen of op benzine gebaseerde vloeistoffen. U kunt een vochtig doekje met verdund schoonmaakmiddel gebruiken om hardnekkige vlekken te verwijderen.
14. De leverancier is niet verantwoordelijk voor schade of verloren gegevens veroorzaakt door storing, misbruik, modificatie van het apparaat of batterijvervangning.

15. Onderbreek nooit de verbinding wanneer het apparaat formateert of bestanden overdraagt. De gegevens kunnen anders corrupt of verloren raken.
16. Indien het apparaat een USB-afspeelfunctie heeft, moet de USB-geheugenstick rechtstreeks op het apparaat worden aangesloten. Gebruik geen USB-verlengkabel, omdat die kan leiden tot storingen met foutieve gegevens als gevolg.
17. Het classificatielabel bevindt zich op de onderkant of het achterpaneel van het apparaat.
18. Dit hulpmiddel is niet bedoeld voor gebruik door mensen (inclusief kinderen) met een fysieke, zintuiglijke of mentale handicap, of een gebrek aan ervaring en kennis, tenzij zij toezicht of instructies hebben gekregen over het juiste gebruik van het hulpmiddel door een persoon die verantwoordelijk is voor hun veiligheid.
19. Dit product is alleen voor niet-professioneel gebruik bedoeld en niet voor commercieel of industrieel gebruik.
20. Verzekeer u ervan dat het apparaat in een stabiele positie staat opgesteld. Schade die wordt veroorzaakt door het gebruik van dit product in een onstabiele positie, trillingen of schokken of het niet opvolgen van de waarschuwingen of voorzorgsmaatregelen in deze gebruikershandleiding wordt niet gedekt door de garantie.
21. Verwijder nooit de behuizing van dit apparaat.
22. Plaats dit apparaat nooit op andere elektrische apparatuur.
23. Geef kinderen geen gelegenheid in aanraking met plastic zakken te komen.
24. Gebruik uitsluitend uitbreidingen/accessoires gespecificeerd door de fabrikant.
25. Laat alle reparaties over aan gekwalificeerd onderhoudspersoneel. Onderhoud is nodig als het apparaat is beschadigd, bijvoorbeeld als de voedingskabel of de stekker is beschadigd, als er vloeistof op het apparaat is gemorst, als er voorwerpen in het apparaat zijn gevallen, als het apparaat is blootgesteld aan regen of vocht, als het apparaat niet normaal werkt of als het is gevallen.
26. Langdurige blootstelling aan harde geluiden van persoonlijke muzikspelers kan leiden tot tijdelijk of permanent gehoorverlies.
27. Als het product wordt geleverd met voedingskabel of wisselstroomvoedingsadapter:
 - Als er zich problemen voordoen, moet u de voedingskabel loskoppelen en het ter onderhoud aanbieden aan gekwalificeerd personeel.
 - Nooit op de voedingsadapter stappen of deze indrukken. Wees zeer voorzichtig, vooral in het gebied rond de stekkers en de kabelansluitingen. Plaats geen zware voorwerpen op de voedingsadapter, om beschadiging ervan te voorkomen. Houd het gehele apparaat buiten bereik van kinderen! Wanneer kinderen met de voedingskabel spelen, kunnen zij ernstig letsel oplopen.
 - Haal de stekker uit het stopcontact tijdens onweer of wanneer u deze langere tijd niet gebruikt.
 - Het stopcontact moet in de buurt van de apparatuur zijn geïnstalleerd en eenvoudig te bereiken zijn.
 - Laat AC-stopcontacten of verlengsnoeren nooit overbelast raken. Overbelasting kan brand of een elektrische schok veroorzaken.
 - Apparaten met een Klasse 1 structuur dienen te worden aangesloten op een stopcontact met een beschermende aardverbinding.
 - Apparaten met een Klasse 2 structuur vereisen geen aardverbinding.
 - Houd altijd de stekker vast wanneer u deze uit het stopcontact trekt. Trek nooit aan de voedingskabel. Dit kan tot een kortsluiting leiden.
 - Gebruik nooit een beschadigde voedingskabel of stekker of een los stopcontact. Dit vormt namelijk een risico op brand of elektrische schokken.

28. Indien het product knoopcelbatterijen bevat of wordt geleverd met een afstandsbediening die knoopcelbatterijen bevat:

Waarschuwing:

- “Batterij niet inslikken, chemisch brandgevaar” of gelijkwaardige werking.
- De meegeleverde afstandsbediening bevat een knoopcelbatterij. Als de batterij wordt ingeslikt, kan deze in slechts 2 uur ernstige interne brandwonden veroorzaken en tot de dood leiden.
- Houd nieuwe en gebruikte batterijen buiten bereik van kinderen.
- Als de batterijhouder niet goed kan worden gesloten, dient u het product niet meer te gebruiken en buiten bereik van kinderen te houden.
- Als u denkt dat batterijen zijn ingeslikt of binnenin een willekeurig lichaamsdeel terecht zijn gekomen, dient u onmiddellijk medische hulp te zoeken.

29. Waarschuwing m.b.t. het gebruik van batterijen:

- Als de batterij onjuist wordt geplaatst, bestaat er explosiegevaar. Vervang de batterij alleen door een zelfde of vergelijkbare soort batterij.
- Stel de batterij niet bloot aan extreem hoge of lage temperaturen of een lage luchtdruk op grote hoogte tijdens gebruik, opslag of transport.
- Vervanging van een batterij door een incorrect type kan leiden tot een ontploffing of de lekkage van ontvlambare vloeistoffen of gas.
- Het weggooien van een batterij in het vuur of een hete oven, of het mechanisch verpletteren of insnijden van een batterij, kan leiden tot een explosie.
- Het achterlaten van een batterij in een omgeving met extreem hoge temperaturen kan leiden tot een explosie of het lekken van brandbare vloeistof of gas.
- Een batterij die aan een extreem lage luchtdruk wordt blootgesteld, kan leiden tot een explosie of het lekken van brandbare vloeistof of gas.
- Aandacht voor het milieu is nodig bij het verwijderen van de batterijen.

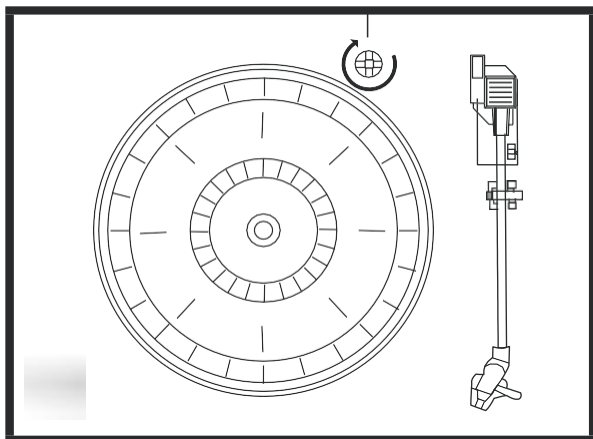
INSTALLATIE

- Pak alle onderdelen uit en verwijder de beschermende materialen.
- Sluit het apparaat niet aan op het stopcontact, voordat u de netspanning hebt gecontroleerd en voordat alle andere aansluitingen zijn gemaakt.

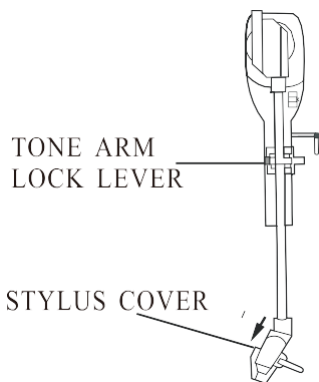
VOORBEREIDING VOOR GEBRUIK UITPAKKEN EN INSTELLEN

- Haal het apparaat voorzichtig uit de verpakking en verwijder alle verpakkingsmaterialen van het apparaat.
- Rol het netsnoer volledig uit.
- Plaats de eenheid op een stabiele, vlakke ondergrond, in de buurt van een stopcontact, niet in direct zonlicht en uit de buurt van bronnen van overmatige hitte, stof, vocht of sterke magnetische velden.
- Steek de stekker in een stopcontact.
- Til het deksel op voor toegang tot het draaiplateau. Het draaiplateau zit voor transportveiligheid nog vast met een transportschroef.
- Gebruik een muntje of schroevendraaier om de transportschroef rechtsom los te draaien. Het draaiplateau kan vervolgens “zweven”.

TRANSPORTSCHROEF



- Verwijder de ondoorzichtige, kunststof naaldcover van de platenspeler door deze in de richting van het pijltje te schuiven.
- U kunt deze naaldcover afdanken.
- Verwijder de binder waar de toonarm mee vast is gezet voor transportveiligheid.
 - Ontgrendel het hendel van de toonarm.
 - Steek de stekker in een stopcontact.



EN	NL
tone arm lock lever	vergrendelhendel van toonarm
stylus cover	naaldcover

VOEDINGSBRON

- Dit systeem maakt gebruik van een lichtnetadapter.
- U dient uw stopcontact te laten vervangen door een gekwalificeerde elektricien.
- De voedingsstekker en voedingsingang dienen overeen te komen, zodat het apparaat correct kan werken.

BELANGRIJK: Het deksel opheffen en neerlaten

Open het deksel door deze zo ver mogelijk op te heffen totdat de dekselsteun in de open stand “vergrendeld”. Sluit het deksel door deze ietwat op te heffen totdat de dekselsteun “ontgrendeld” en laat het deksel vervolgens voorzichtig zakken.

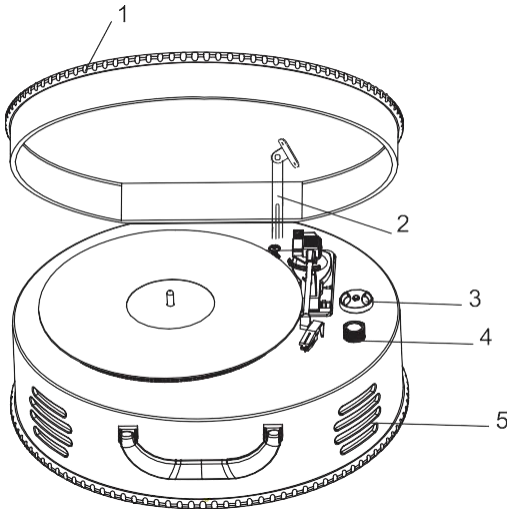
OM BESCHADIGING VAN DE BEHUIZING OF HET DEKSEL TE VOORKOMEN, HET DEKSEL NOOIT FORCEREN

BESCHERM UW MEUBILAIR

Dit model is voorzien van rubberen “voetjes” met antisliplaag om te voorkomen dat het apparaat beweegt wanneer u de bedieningen gebruikt. Deze “voetjes” zijn vervaardigd van niet-migrerend rubber materiaal, speciaal ontwikkeld ter voorkoming van markeringen of vlekken op uw meubilair. Bepaalde soorten oliegebaseerde meubilairlaagjes, houtbeschermers of reinigingsmiddelen kunnen de rubberen “voetjes” echter laten verzwakken, waardoor deze markeren of rubberrestjes op het meubilair achter kunnen laten. Om enigerlei beschadiging van uw meubilair te voorkomen, raden wij u sterk aan zelfklevende viltkussentjes, verkrijgbaar in hardwarewinkels en DIY centra, toe te passen op de onderzijde van de rubberen “voetjes” voordat u het product op gevoelig houten meubilair plaatst.

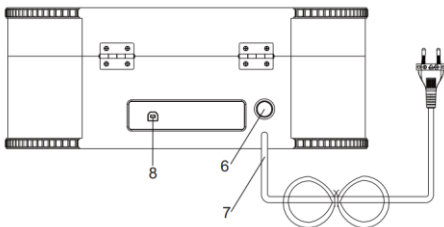
LOCATIE VAN BEDIENINGEN EN INDICATIES

VOORPANEEL



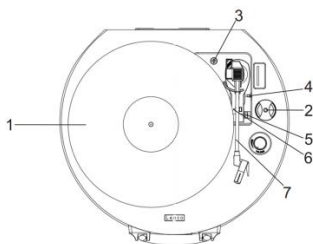
- 1) DEKSEL VAN DRAAIPLATEAU
- 2) DEKSELSTEUN
- 3) 45RPM ADAPTER
- 4) VOLUMEREGELAAR
- 5) LUIDSPREKERS

ACHTERPANEEL



- 6) AAN/UITTOETS
- 7) AC-NETSNOER
- 8) USB-AANSLUITING

PLATENSPELE



- 1) Draaiplateau
- 2) 45RPM adapter
- 3) Transportschroef
- 4) Toonarmbediening
- 5) Toerenschakelaar (33 & 45 & 78TPM)
- 6) Toonarmvergrendeling
- 7) Toonarm met naald

PLATEN AF SPELEN

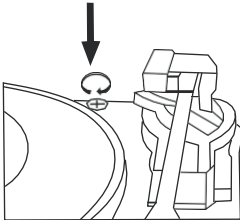
Dit systeem bevat een compleet, riemaangedreven draaiplateau met 3 snelheden. U kunt 33, 45 en 78TPM langspeelplaten afspeelen.

- 1) Druk op de AAN/UITTOETS om het apparaat in te schakelen.
- 2) Zorg ervoor dat de naaldcover van de naald is verwijderd en dat de toonarmvergrendeling, waarmee de toonarm vast zit op de toonarmsteun, los zit.
- 3) Stel de toerenschakelaar in op de vereiste snelheid, 33, 45 of 78TPM. Als u 45TPM singles afspeelt, dient u de 45TPM adapter op de middenas te plaatsen.
- 4) Plaats uw langspeelplaat op de middenas.
- 5) Hef de toonarmbediening op om de toonarm van de steun op te pikken. Beweeg de toonarm naar de rand van de plaat. Het draaiplateau begint automatisch te draaien. Gebruik de toonarmbediening om de toonarm geleidelijk aan op de plaat te laten zakken.
- 6) Wanneer de toonarm het einde van de plaat bereikt, zal deze automatisch terugkeren naar de steun terwijl het draaiplateau stopt met draaien.
- 7) Schakel het systeem "Off" (uit) door de AAN/UITTOETS voor 2 seconden ingedrukt te houden.

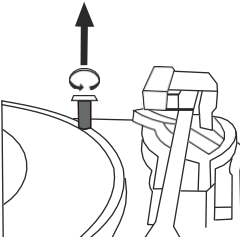
OPMERKING: Draai of stop de platenspeler nooit met de hand. De platenspeler bewegen of schudden zonder dat de toonarm vast zit in de steun kan tot beschadiging van de toonarm leiden.

BELANGRIJK

- OM DE PLATENSPELER TE BESCHERMEN TEGEN TRANSPORTSCHADE, IS RECHTSBOVEN IN DE HOEK VAN HET DRAAIPLATEAU EEN ZILVEREN TRANSPORTSCHROEF GEPLAATST.
- VOORAFGAAND AAN HET AF SPELEN, GEBRUIK A.U.B. EEN SCHROEVENDRAAIER OM DE TRANSPORTSCHROEF RECHTSOM LOS TE DRAAIEN (OMLAAG SCHROEVEN) OM HET DRAAIPLATEAU VOLLEDIG TE ONTGRENDELEN.



- OM HET DRAAIPLATEAU WEER TE VERGRENDELEN VOOR TRANSPORTATIE, DIEN U DE SCHROEF LINKSOM VAST TE DRAAIEN.



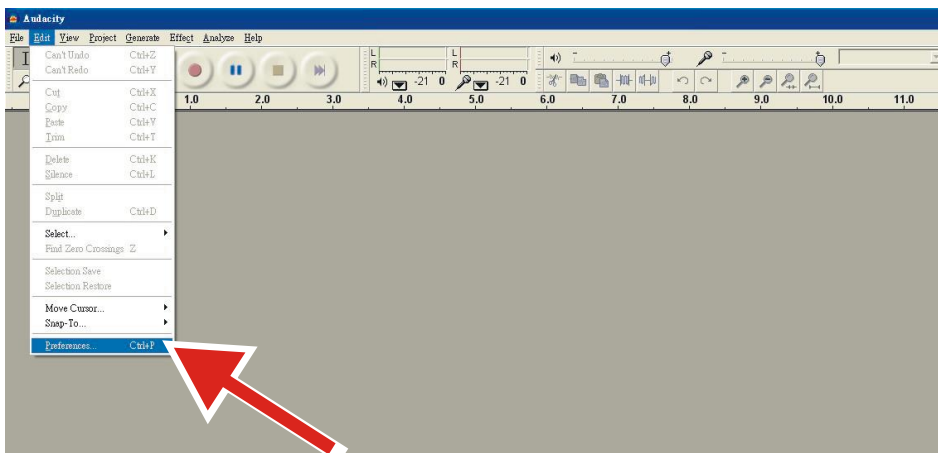
OVERZICHT AUDACITY SOFTWARE

Audacity is gratis software, onder licentie van de GNU Algemene Publieke Licentie (GPL). Meer informatie en tevens open broncodes zijn te vinden op de website <https://www.audacityteam.org/download/>

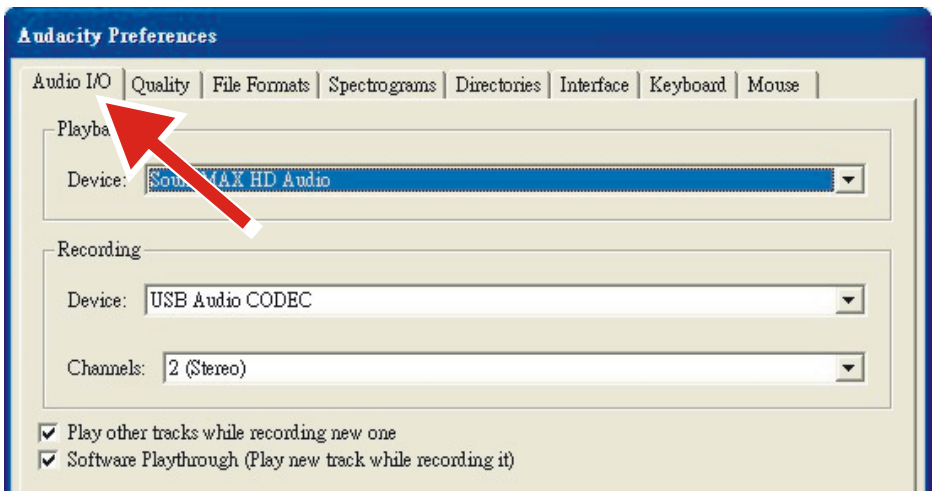
* **Zorg er a.u.b. voor dat de software is geïnstalleerd voordat u van start gaat.**

Uw PC instellen om met Audacity te werken

1. Sluit een ingangsbron aan op het apparaat.
2. Sluit de USB-kabel aan op uw computer.
3. Installeer de Audacity opnamesoftware.
4. Open het Audacity programma.
5. Selecteer "Preference" (Voorkeur) op het tabblad "Edit" (Bewerken) in het Audacity Menu.



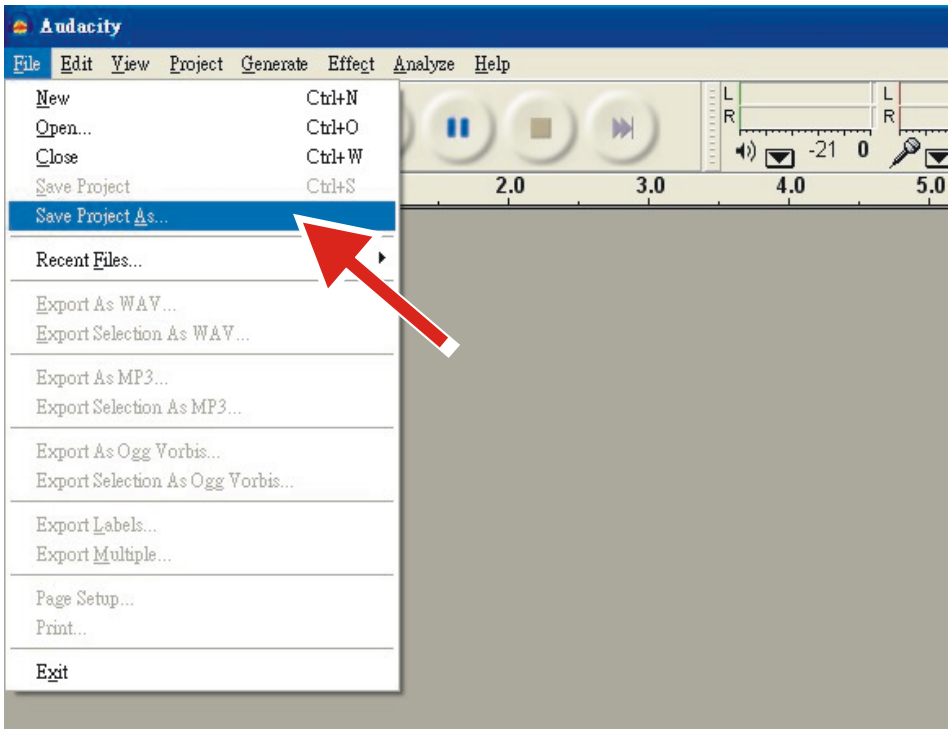
6. Selecteer het tabblad **Audio I/O** linksboven op het scherm.
 - Onder Afspelen, Apparaat, selecteer **uw interne geluidskaart**.
 - Onder Opnemen, Apparaat, selecteer **USB Audio CODEC**.
 - Onder Opname, Kanalen, selecteer **2 (Stereo)**.
 - Vink de box af gemarkeerd **Play other tracks while recording new one** (Andere tracks afspelen terwijl een nieuwe wordt opgenomen).
 - Vink de box af gemarkeerd **Software Playthrough** (Software Afspelen).



Albums opnemen met Audacity

1. Een project opslaan

- Audacity schrijft alle veranderde en opgenomen audio naar een folder met de naam **Projectname_data**, te vinden rechts van waar u het projectbestand zelf hebt opgeslagen.
- Selecteer dus **Save Project as** (project opslaan als) op het tabblad Audacity Bestand en kies een locatie en bestandsnaam voor uw project.
- Vergeet a.u.b. niet dat als u Audacity opnieuw start, alleen de menuoptie **“Save As...”** (opslaan als) beschikbaar is.




2. Opnemen

- Stel uw USB-platenspeler in om de track of het album af te spelen dat u wilt opnemen.

- Druk op de rode Opnametoets  om de opname te starten.

- Laat de toonarm op de USB-platenspeler zakken op het album of de track die u wilt opnemen.

- Druk op de blauwe Pauzetoets  om de opname te pauzeren. Druk nogmaals in om te vervolgen.

- Klik op de gele Stoptoets. 

Dat is alles. U kunt nu aan de slag met uw opname en de bewerkfuncties van Audacity uitproberen. Vergeet niet dat u de functie Ongedaan Maken vrijwel zonder beperkingen kunt gebruiken terwijl het project is geopend.

OPMERKING: CD's kunnen niet direct worden gebrand met de Audacity applicatie. Voor het branden van CD's zijn andere applicaties nodig.

1. Garantie

Commaxx B.V. biedt service en garantie aan overeenkomstig met de Europese wetgeving. Dit houdt in dat u, in het geval van reparaties (zowel tijdens als na de garantieperiode), uw lokale handelaar moet contacteren.

Belangrijke opmerking: Het is niet mogelijk om producten die gerepareerd moeten worden direct naar Commaxx B.V. te sturen.

Belangrijke opmerking: De garantie verloopt als een onofficieel servicecenter het apparaat op wat voor manier dan ook heeft geopend, of er toegang toe heeft gekregen.

Het apparaat is niet geschikt voor professioneel gebruik. In het geval van professioneel gebruik worden alle garantieverplichtingen van de fabrikant nietig verklaard.

2. Disclaimer

Er worden regelmatig updates in de firmware en/of hardwarecomponenten gemaakt. Daardoor kunnen gedeelten van de instructie, de specificaties en afbeeldingen in deze documentatie enigszins verschillen van uw eigen situatie. Alle onderwerpen die staan beschreven in deze handleiding zijn bedoeld als illustratie en zijn niet van toepassing op specifieke situaties. Aan de beschrijving in dit document kunnen geen rechten worden ontleend.

3. Afvoer van het oude apparaat



Dit symbool geeft aan dat het betreffende elektrische product of de batterij niet moet worden verwijderd als algemeen huishoudelijk afval in Europa. Zorg voor een juiste afvalverwerking door het product en de batterij in overeenstemming met alle van toepassing zijnde lokale wetten voor het verwijderen van elektrische apparatuur of batterijen te verwijderen. Als u dit doet, helpt u de natuurlijke hulpbronnen te behouden en de standaard van milieubescherming te verbeteren bij de behandeling en verwijdering van elektrisch afval (Afgedankte Elektrische en Elektronische Apparatuur).

4. CE-markering

Commaxx B.V. Wiebachstraat 37, 6466 NG Kerkrade, Nederland, verklaart hierbij dat dit product voldoet aan de vereisten van de essentiële EU-richtlijnen. De conformiteitsverklaring kan worden opgevraagd via techdoc@commaxxgroup.com



5. Service

Bezoek voor meer informatie en helpdeskondersteuning www.lenco.com

Commaxx B.V. Wiebachstraat 37, 6466 NG Kerkrade, The Netherlands.

ACHTUNG:

Eine andere als die hier beschriebene Bedienung, Einstellung oder Verwendung der Funktionen kann zu gefährlicher Strahlenbelastung führen.

VORSICHTSMASSNAHMEN VOR DER BENUTZUNG

BEFOLGEN SIE IMMER FOLGENDE ANWEISUNGEN:

1. Blockieren oder bedecken Sie keine Lüftungsöffnungen. Wenn Sie das Gerät auf ein Regal stellen, lassen Sie um das gesamte Gerät 5 cm (2") freien Platz.
2. Stellen Sie das Gerät entsprechend den Anweisungen der mitgelieferten Bedienungsanleitung auf.
3. Halten Sie das Gerät von Hitzequellen wie Radiatoren, Heizern, Öfen, Kerzen oder anderen hitzeerzeugenden Produkten oder offenen Flammen fern. Das Gerät darf nur bei gemäßigtem Klima verwendet werden. Sehr kalte oder heiße Umgebungen sind zu vermeiden. Der Betriebstemperaturbereich liegt zwischen 0 °C und 35 °C.
4. Meiden Sie bei der Nutzung des Produkts die Nähe starker Magnetfelder.
5. Elektrostatische Entladungen können die normale Verwendung von diesem Gerät stören. Sollte dies geschehen, führen Sie einfach einen Reset aus und starten Sie dann das Gerät entsprechend den Anweisungen dieser Bedienungsanleitung neu. Gehen Sie besonders bei Datenübertragungen mit dem Gerät vorsichtig um und führen Sie diese nur in einer antielektrischen Umgebung aus.
6. Warnung! Niemals Gegenstände durch die Lüftungsschlitze oder Öffnungen in das Gerät stecken. In diesem Gerät fließt Hochspannung und das Hineinstecken von Gegenständen kann zu elektrischem Schock und/oder Kurzschluss interner elektrischer Bauteile führen. Aus dem gleichen Grund kein Wasser oder Flüssigkeiten in das Gerät geben.
7. Benutzen Sie das Gerät nicht in nasser oder feuchter Umgebung wie Bad, Dampfküche oder in der Nähe von Schwimmbecken.
8. Das Gerät darf weder Tropf- noch Spritzwasser ausgesetzt werden und es dürfen keine mit Flüssigkeit gefüllten Behälter wie z.B. Vasen auf das Gerät oder in der Nähe des Gerätes gestellt werden.
9. Benutzen Sie das Gerät nicht bei Kondensationsgefahr. Wenn Sie das Gerät in einem warmen feuchten Raum benutzen, dann können sich im Inneren des Geräts Wassertropfen oder Kondensationen bilden und zu Fehlfunktionen des Geräts führen. Schalten Sie in diesem Fall das Gerät für 1 – 2 Stunden aus, bevor Sie es erneut einschalten: Das Gerät sollte vollständig getrocknet sein, wenn Sie es wieder einschalten.
10. Obwohl dieses Gerät unter größter Sorgfalt und vor Auslieferung mehrmals überprüft wurde, können trotzdem wie bei jedem anderen elektrischen Gerät auch Probleme auftauchen. Trennen Sie das Gerät im Falle einer Rauchentwicklung, starker Hitzeentwicklung oder jeden anderen unnatürlichen Erscheinung sofort vom Netz.
11. Dieses Gerät ist durch eine Stromquelle wie auf dem Typenschild angegeben zu betreiben. Halten Sie bei Unsicherheiten über die Art Ihrer Stromversorgung in Ihrer Wohnung Rücksprache mit Ihrem Händler oder Ihrer Stromzuliefererfirma.
12. Halten Sie es von Haustieren fern. Einige Nagetiere lieben es, an Netzkabeln zu nagen.
13. Benutzen Sie für die Reinigung ein weiches und trockenes Tuch. Benutzen Sie niemals Lösungsmittel oder Flüssigkeiten auf Ölbasis. Benutzen Sie zum Entfernen hartnäckiger Flecken ein feuchtes Tuch mit mildem Reinigungsmittel.
14. Der Hersteller haftet nicht für Schäden oder Verluste durch Fehlfunktion, Zweckentfremdung oder Modifikation des Geräts oder durch Wechseln der Batterien.

15. Unterbrechen Sie die Verbindung nicht während einer Formatierung oder einer Datenübertragung. Bei Unterbrechung drohen Datenverlust und Datenbeschädigung.
16. Wenn das Gerät eine USB-Wiedergabefunktion besitzt, dann stecken Sie den USB-Stick direkt in das Gerät. Verwenden Sie kein USB-Verlängerungskabel, weil die erhöhte Störungsanfälligkeit zu Datenverlust führen könnte.
17. Das Typenschild befindet sich an der Unter- oder Rückseite des Geräts.
18. Dieses Gerät ist nicht zur Benutzung durch Personen (einschließlich Kinder) mit physischen, sensorischen oder mentalen Beeinträchtigungen oder ohne ausreichender Erfahrung vorgesehen, es sei denn, sie werden durch eine verantwortliche Person beaufsichtigt oder wurden in die ordnungsgemäße Bedienung des Gerätes durch eine für ihre Sicherheit verantwortliche Person eingewiesen.
19. Dieses Produkt ist nur für den nicht-professionellen Gebrauch und nicht für gewerbliche oder industrielle Zwecke bestimmt.
20. Stellen Sie sicher, dass das Gerät in einer stabilen Position aufgestellt ist. Schäden aufgrund Verwendung dieses Produkts in einer instabilen Position, Vibrationen, Stöße oder Nichtbeachtung der anderen in dieser Bedienungsanleitung enthaltenen Warnungen und Sicherheitshinweise werden nicht durch die Garantie abgedeckt.
21. Entfernen Sie niemals das Gehäuse dieses Produkts.
22. Stellen Sie das Produkt niemals auf andere elektrische Geräte.
23. Halten Sie Kinder von den Plastiktüten fern.
24. Benutzen Sie nur vom Hersteller spezifizierte Erweiterungen/Zubehörteile.
25. Lassen Sie alle Eingriffe von qualifiziertem Servicepersonal ausführen. Eingriffe werden notwendig, wenn das Gerät auf irgendeine Weise wie beispielsweise am Netzkabel oder am Netzstecker beschädigt wurde, Flüssigkeit in das Gerät eingedrungen ist, Gegenstände in das Gerät gefallen sind, das Gerät Regen oder Feuchtigkeit ausgesetzt war, es heruntergefallen ist oder nicht ordnungsgemäß funktioniert.
26. Langes Hören lauter Töne aus einem Musikgerät kann zum zeitweiligen oder permanenten Hörverlust führen.
27. Wenn zum Lieferumfang des Produkts ein Netzkabel oder ein Netzadapter gehört:
 - Wenn irgendwelche Probleme auftreten, dann ziehen Sie den Netzstecker aus der Netzsteckdose und setzen Sie sich anschließend mit einer qualifizierten Fachkraft in Verbindung.
 - Treten Sie nicht auf das Netzteil und klemmen Sie es auch nicht ein. Geben Sie besonders im näheren Bereich des Steckers und der Stelle acht, wo das Kabel aus dem Gerät herausgeführt wird. Stellen Sie keine schweren Gegenstände auf das Netzteil, weil es dadurch beschädigt werden könnte. Halten Sie das gesamte Gerät außerhalb der Reichweite von Kindern! Durch Spielen mit dem Netzkabel können sie sich ernsthafte Verletzungen zuziehen.
 - Trennen Sie das Gerät während eines Gewitters oder bei längerer Nichtbenutzung vom Netz.
 - Die Wandsteckdose muss sich in der Nähe des Geräts befinden und einfach zu erreichen sein.
 - Steckdosen und Verlängerungsleitungen nicht überlasten. Eine Überlastung kann zu Brandgefahr bzw. Stromschlag führen.
 - Geräte der Schutzklasse 1 sind an eine Netzsteckdose mit Schutzleiter anzuschließen.
 - Geräte der Schutzklasse 2 benötigen keinen Schutzleiteranschluss.
 - Halten Sie den Netzstecker in der Hand, wenn Sie ihn aus der Netzsteckdose ziehen. Ziehen Sie ihn nicht durch Zerren am Kabel heraus. Das kann zu einem Kurzschluss führen.
 - Verwenden Sie weder ein beschädigtes Netzkabel noch einen beschädigten Stecker oder eine lockere Steckdose. Es besteht Brand- und Stromschlaggefahr.

28. Wenn das Produkt mit einer Fernbedienung mit Batterien/Knopfzellen geliefert wird oder das Produkt eine derartige Fernbedienung umfasst:

Warnung:

- „Die Batterie nicht einnehmen, es besteht Verätzungsgefahr“.
- [Die mit diesem Produkt mitgelieferte Fernbedienung] enthält eine Knopfzelle. Das Verschlucken der Zelle kann innerhalb von nur 2 Stunden zu schwersten inneren Verbrennungen mit Todesfolge führen.
- Halten Sie neue und gebrauchte Zellen von Kindern fern.
- Verwenden Sie dieses Produkt nicht weiter und halten Sie es von Kindern fern, wenn das Zellenfach nicht sicher schließt.
- Suchen Sie umgehend ärztliche Hilfe auf, wenn Sie vermuten, dass Zellen verschluckt oder in Körperöffnungen eingeführt wurden.

29. Warnhinweise bzgl. der Verwendung von Zellen:

- Es besteht Explosionsgefahr, wenn die Zellen nicht korrekt eingelegt werden. Nur mit Zellen des gleichen oder entsprechenden Typs ersetzen.
- Die Zelle darf während der Benutzung, Aufbewahrung oder des Transports weder sehr hohen oder sehr niedrigen Temperaturen noch niedrigem Luftdruck in großen Höhenlagen ausgesetzt werden.
- Die Ersetzung der Zelle mit einem falschen Zellentyp kann zum Explodieren der Zelle oder dem Auslaufen von entflammbarem Gas oder entflammbarer Flüssigkeit aus der Zelle führen.
- Die Entsorgung der Zelle in Feuer oder einem heißen Ofen oder das mechanische Zerkleinern oder Zerteilen der Zelle kann zu Explosionen führen.
- Das Verbleiben der Zelle in einer Umgebung mit sehr hohen Temperaturen kann zum Explodieren der Zelle oder dem Auslaufen von entflammbarem Gas oder entflammbarer Flüssigkeit führen.
- Eine in einem sehr niedrigen Luftdruck ausgesetzte Zelle kann explodieren oder es kann aus einer in einem sehr niedrigen Luftdruck ausgesetzten Zelle entflammbares Gas oder entflammbare Flüssigkeit auslaufen.
- Augenmerk ist auf den ökologischen Aspekt der Zellenentsorgung zu legen.

ANSCHLUSS

- Packen Sie alle Teile aus und entfernen Sie danach die Schutzmaterialien.
- Schließen Sie das Gerät nicht eher an das Netz an, bevor Sie die Netzspannung überprüft haben und alle anderen notwendigen Verbindungen hergestellt sind.

- Die Entsorgung der Batterie in Feuer oder einem heißen Ofen oder das mechanische Zerkleinern oder Zerteilen der Batterie kann zu Explosionen führen.
- Das Verbleiben der Batterie in einer Umgebung mit sehr hohen Temperaturen kann zum Explodieren der Batterie oder dem Auslaufen von entflammablem Gas oder entflammbarer Flüssigkeit führen.
- Eine einem sehr niedrigen Luftdruck ausgesetzte Batterie kann explodieren oder es kann aus einer einem sehr niedrigen Luftdruck ausgesetzten Batterie entflammables Gas oder entflammbare Flüssigkeit auslaufen.
- Augenmerk ist auf den ökologischen Aspekt der Batterieentsorgung zu legen.

ANSCHLUSS

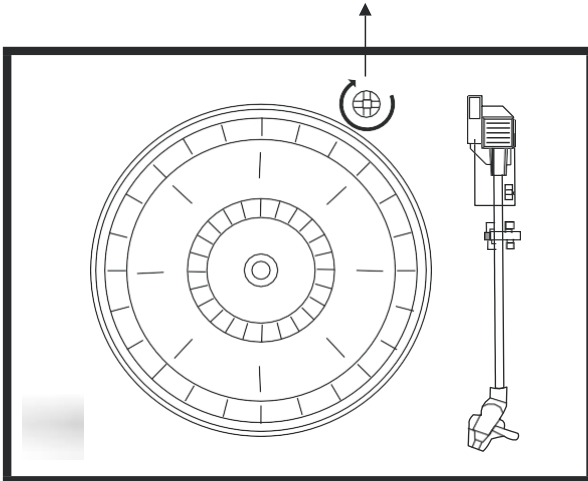
- Packen Sie alle Teile aus und entfernen Sie danach die Schutzmaterialien.
- Schließen Sie das Gerät nicht eher an das Netz an, bevor Sie die Netzspannung überprüft haben und alle anderen notwendigen Verbindungen hergestellt sind.

VORBEREITUNG FÜR DIE ANWENDUNG

AUSPACKEN UND AUFSTELLEN

- Nehmen Sie das Gerät vorsichtig aus dem Displaykarton und entfernen Sie dann jegliches Verpackungsmaterial vom Gerät.
- Wickeln Sie das Netzkabel vollständig ab, um seine volle Länge zu erhalten.
- Stellen Sie das Gerät in Nähe einer Netzsteckdose auf einer stabilen, ebenen Oberfläche auf, wo es weder direktem Sonnenlicht noch Quellen starker Hitze, Staub, Nässe, Feuchtigkeit oder starken Magnetfeldern ausgesetzt ist.
- Stecken Sie den Netzstecker in die Netzsteckdose.
- Öffnen Sie den Deckel des Phonographen, um den Phonographen freizulegen. Der Phonograph ist für den Transport durch eine Transportsicherungsschraube gesichert.
- Drehen Sie diese Transportsicherungsschraube mit einer Geldmünze oder einem Schraubenzieher in Uhrzeigerichtung. Dadurch wird der Plattenteller „drehbar“.

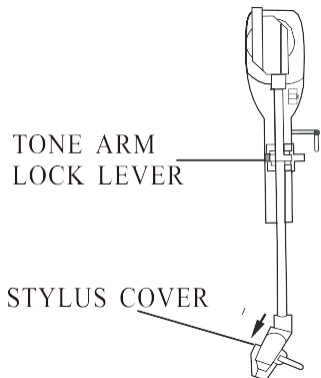
TRANSPORTSICHERUNGSSCHRAUBE



- Entfernen Sie die undurchsichtige Plastik-Tonkopfabdeckung des Phonographentonkopfes durch Abziehen in Richtung des Pfeiles.

Entsorgen Sie diese Tonkopfabdeckung.

- Entfernen Sie den verdrehten Draht, mit dem der Tonarm während des Transportes gesichert wurde.
- Lösen Sie den Tonarmsicherungshebel.
- Stecken Sie den Netzstecker in die Netzsteckdose.



EN	DE
TONE ARM LOCK LEVER	TONARMSICHERUNGSHABEL
STYLUS COVER	TONKOPFABDECKUNG

STROMQUELLE

- Dieses System wird über ein Netzteil betrieben.
- Lassen Sie Ihre Steckdose nur durch qualifiziertes Fachpersonal umbauen.
- Um eine ordnungsgemäße Funktion gewährleisten zu können, müssen Stromstecker und Strombuchse einander entsprechen.

WICHTIG: Öffnen und Schließen des Deckels

Heben Sie den Deckel zum Öffnen soweit an, bis die Deckelstütze in der Offenposition „einrastet“.

Ziehen Sie den Deckel zum Schließen leicht aufwärts, bis die Deckelstütze „entriegelt“ und schließen Sie danach behutsam den Deckel.

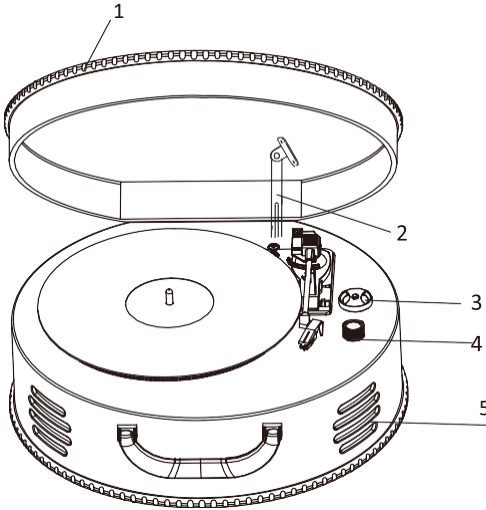
**UM BESCHÄDIGUNGEN DES GEHÄUSES UND DES DECKELS ZU VERMEIDEN;
DEN DECKEL NIEMALS GEWALTSAM ÖFFNEN ODER SCHLIEßEN**

SCHÜTZEN SIE IHRE MÖBEL

Dieses Modell besitzt zur Vorbeugung gegen ungewolltes Verrutschen während der Bedienung Antirutsch-„Füßchen“. Diese „Füßchen“ bestehen aus einem abriebfesten Gummimaterial, das speziell dafür entwickelt wurde, keine Flecken oder Spuren auf Ihren Möbeln zu hinterlassen. Jedoch können einige Arten ölbasierter Möbelpolituren, Holzschutzmittel oder Reinigungssprays diese „Gummifüßchen“ weich machen und so zu Spuren oder Gummiabrieb auf Ihren Möbeln führen. Zur Vorbeugung von jeglicher Art Schaden an Ihren Möbeln empfehlen wir den Kauf von kleinen, selbstklebenden Filzunterlagen, wie Sie sie in jedem Baumarkt oder Möbelhaus erwerben können. Bringen Sie diese Filzunterlage an den „Gummifüßchen“ an, bevor Sie das Produkt auf Ihr schönes Holzmöbel stellen.

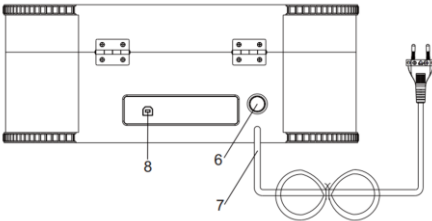
LAGE DER BEDIEN- UND ANZEIGEELEMENTE

FRONTSEITE



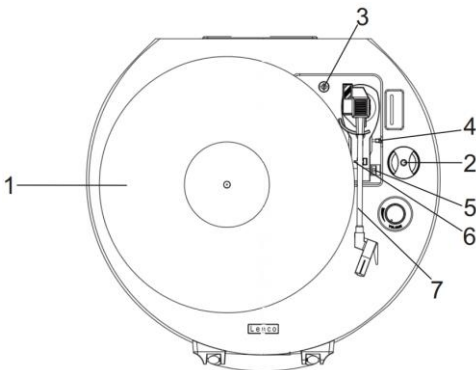
- 1) PHONOGRAPHEDECKEL
- 2) PHONOGRAPHEDECKELSTÜTZE
- 3) 45U/min-ADAPTER
- 4) LAUTSTÄRKEREGLER
- 5) LAUTSPRECHER

RÜCKSEITE



- 6) EIN/AUS-SCHALTER
- 7) AC STROMKABEL
- 8) USB-PORT

PHONOGRAPH



- 1) Plattenteller
- 2) 45U/min-Adapter
- 3) Transportsicherungsschraube
- 4) Lifthebel
- 5) Drehzahlwähler (33, 45 und 78 U/min)
- 6) Tonarmverriegelung
- 7) Tonarm mit Tonkopf

AUFNAHMEN ABSPIELEN

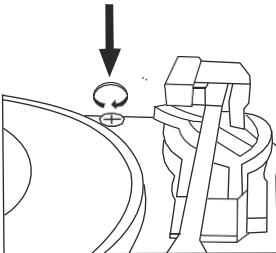
Dieses System besitzt einen riemengetriebenen Plattenteller mit drei Umdrehungsgeschwindigkeiten. Hiermit können Sie Platten für 33, 45 und 78 U/min abspielen.

- 1) Drücken Sie zum Einschalten des Geräts die EIN/AUS-Taste.
- 2) Kontrollieren Sie, ob Sie die Tonkopfabdeckung vom Tonkopf entfernt haben und entriegeln Sie die Tonarmverriegelung, die den Tonarm am Gerät fixiert.
- 3) Stellen Sie am Plattenteller-Umdrehungszahlwähler die gewünschte Umdrehungszahl von 33, 45 oder 78 U/min ein. Setzen Sie beim Abspielen von 45 U/min-Singles den 45 U/min-Adapter auf den Plattenstift.
- 4) Setzen Sie Ihre Platte auf den Plattenstift.
- 5) Heben Sie zum Anheben des Tonarmes den Lifthebel an. Führen Sie den Tonarm zum Plattenrand. Der Plattenteller beginnt sich automatisch zu drehen. Benutzen Sie zum sanften Absenken des Tonarmes auf die Platte den Lifthebel.
- 6) Erreicht der Tonarm das Ende der Platte, kehrt er automatisch zur Tonarmaufnahme zurück und die Plattentellerdrehung wird beendet.
- 7) Drücken Sie zum „Ausschalten“ des Gerätes zwei Sekunden lang den EIN/AUS-Schalter.

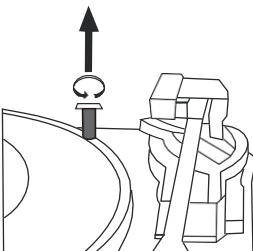
HINWEIS: Drehen oder stoppen Sie den Plattenteller niemals mit der Hand. Ein Bewegen oder Vibrieren des Plattentellers ohne Sicherung des Tonarmes in der Tonarmhalterung kann zur Beschädigung des Tonarmes führen.

WICHTIG

- ZUM SCHUTZ DES PLATTENTELLERS WÄHREND DES TRANSPORTES BEFINDET SICH EINE SILBERNE TRANSPORTSICHERUNGSSCHRAUBE OBEN RECHTS AUF DER PLATTENTELLERPLATTFORM.
- BITTE DREHEN SIE ZUM ENTSICHERN DES PLATTENTELLERS DIESE SCHRAUBE VOR DER WIEDERGABE EINER PLATTE MIT EINEM SCHRAUBENZIEHER IN UHRZEIGERRICHTUNG NACH UNTEN (DIE SCHRAUBE WIRD VOLLSTÄNDIG VERSENKT).



- DREHEN SIE DIESE SCHRAUBE GEGEN UHRZEIGERRICHTUNG HERAUS; UM DEN PLATTENTELLER WIEDER FÜR DEN TRANSPORT ZU SICHERN.



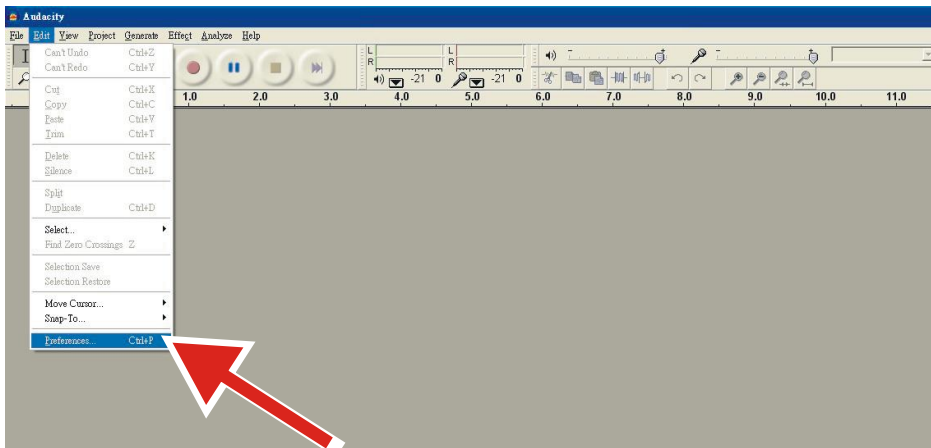
ÜBERSICHT DER AUDACITY SOFTWARE

Audacity ist eine kostenlose Software unter Lizenz von GNU General Public License (GPL). Nähere Informationen sowie den offenen Quellcode finden Sie im Internet unter <https://www.audacityteam.org/download/>

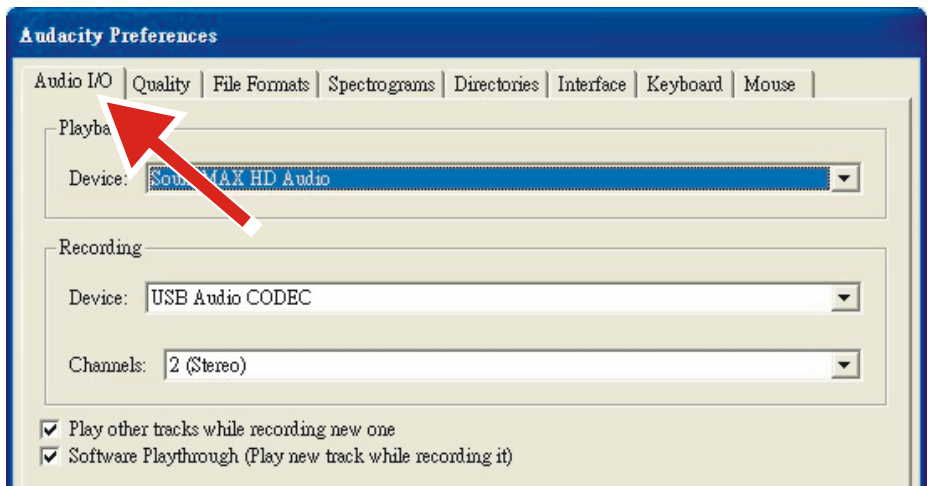
* **Vergewissern Sie sich, dass Sie die Software vor der Inbetriebnahme installiert haben.**

Vorbereitung des PCs für die Verwendung von Audacity

1. Verbinden Sie eine Eingangsquelle mit dem Gerät.
2. Schließen Sie das USB-Kabel an Ihren Computer an.
3. Installieren Sie die Aufnahmesoftware Audacity.
4. Starten Sie Audacity.
5. Wählen Sie im Audacity-Menü unter Edit (Bearbeiten) die Option Preference (Benutzereinstellungen).



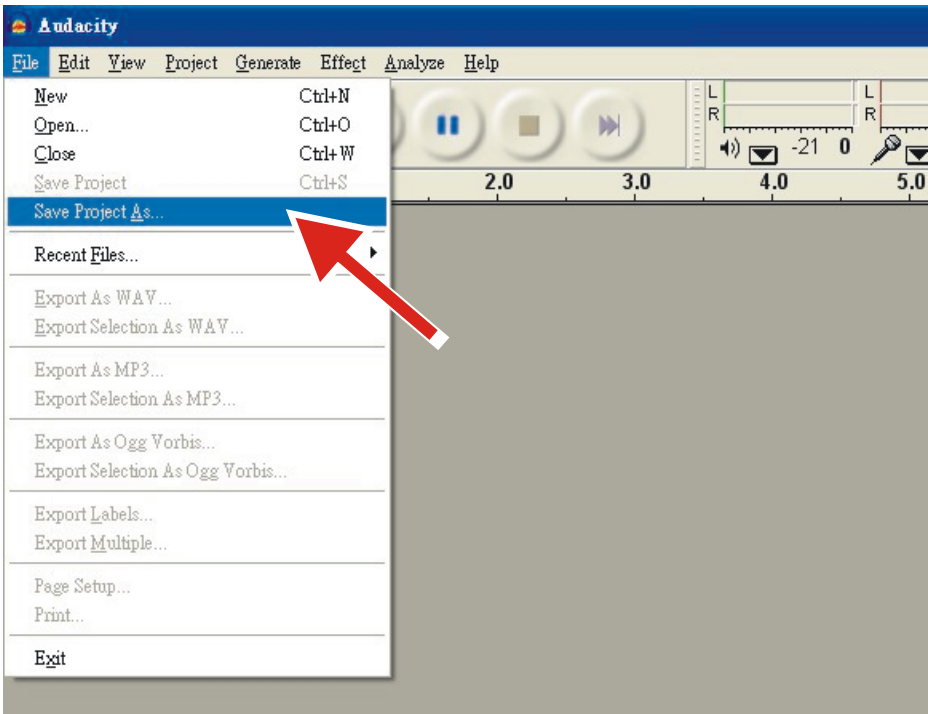
6. Wählen Sie oben links die Einstellung **Audio I/O**.
 - Wählen Sie unter Wiedergabe, Gerät **Ihre interne Soundkarte**.
 - Wählen Sie unter Aufnahme, Gerät **USB Audio CODEC** (USB-Audiocodec).
 - Wählen Sie unter Aufnahme, Kanäle **2 (Stereo)**.
 - Kreuzen Sie das Feld **Play other tracks while recording new one** (Andere Titel während der Aufnahme des neuen Titels abspielen) an.
 - Kreuzen Sie das Feld **Software-Playthrough** an.



Alben mit Audacity aufnehmen


1. Projekte speichern

- Audacity speichert alle geänderten und aufgenommenen Audioinhalte in einem Verzeichnis mit dem Namen **Projectname_data**. Dieses Verzeichnis befindet sich genau dort, wo das Projekt selbst gespeichert ist.
- Wählen Sie also unter Audacity-Datei die Option **Save Project as** (Projekt speichern unter) und wählen Sie dann einen Speicherort und einen Dateinamen für Ihr Projekt aus.
- Wenn Sie Audacity neu starten, ist nur die Option „**Save As...**“ (Speichern unter) verfügbar.





2. Aufnahme

- Bereiten Sie Ihren USB-Plattenspieler für die Wiedergabe des gewünschten Titels bzw. des gewünschten Albums vor.

- Drücken Sie die rote Aufnahmetaste,  um die Aufnahme zu starten.

- Senken Sie den Tonarm des USB-Plattenspielers an der Stelle des gewünschten Albums bzw. Titels ab.

- Drücken Sie die blaue Pause-Taste  um die Aufnahme zu unterbrechen. Drücken Sie die Taste erneut, um die Aufnahme fortzusetzen.

- Drücken Sie auf die gelbe Stopp-Taste. 

Und fertig Sie können nun Ihre Aufzeichnung abspielen und die vielseitigen Bearbeitungsmöglichkeiten von Audacity entdecken. Beachten Sie, dass Sie die Widerruf-Funktion fast ohne Einschränkung verwenden können, während das Projekt geöffnet ist.

HINWEIS: CDs lassen sich nicht direkt mit der Audacity Software brennen. Verwenden Sie dafür andere CD-Brennerprogramme.

1. Garantie

Commaxx B.V. bietet Leistungen und Garantien im Einklang mit Europäischem Recht. Im Falle von Reparaturen (sowohl während als auch nach Ablauf der Garantiezeit) sollten Sie deshalb Ihren Einzelhändler kontaktieren.

Wichtiger Hinweis: Es ist nicht möglich, Geräte für Reparaturen direkt an Commaxx B.V. zu schicken.

Wichtiger Hinweis: Falls dieses Gerät von einem nicht autorisierten Kundendienst geöffnet oder darauf zugegriffen wird, erlischt die Garantie.

Dieses Gerät ist nicht für professionelle Zwecke geeignet. Falls das Gerät für professionelle Zwecke eingesetzt wird, erlöschen alle Garantieverpflichtungen seitens des Herstellers.

2. Haftungsausschluss

Aktualisierungen der Firmware und/oder Hardware-Komponenten werden regelmäßig durchgeführt. Daher können einige der Anweisungen, Spezifikationen und Abbildungen in dieser Dokumentation von Ihrer individuellen Situation abweichen. Alle in diesem Handbuch beschriebenen Elemente dienen nur zur Illustration und treffen auf Ihre individuelle Situation möglicherweise nicht zu. Aus der in diesem Handbuch getätigten Beschreibung können keine Rechtsansprüche oder Ansprüche geltend gemacht werden.

3. Entsorgung des Altgeräts



Dieses Symbol zeigt an, dass das entsprechende Produkt oder dessen Batterie in Europa nicht mit dem normalen Hausmüll entsorgt werden darf. Um die ordnungsgemäße Abfallbehandlung des Produkts und dessen Batterie zu gewährleisten, müssen diese im Einklang mit allen anwendbaren örtlichen Vorschriften zur Entsorgung von Elektrogeräten und Batterien entsorgt werden. Dabei helfen Sie, natürliche Ressourcen zu schonen und Umweltschutzstandards zur Verwertung und Entsorgung von Altgeräten aufrecht zu halten (Waste Electrical and Electronic Equipment Directive).

4. CE-Kennzeichen

Hiermit erklärt Commaxx B.V. Wiebachstraat 37, 6466 NG Kerkrade, The Netherlands, dass dieses Produkt den grundsätzlichen Anforderungen der EU-Richtlinie entspricht. Die Konformitätserklärung ist erhältlich unter techdoc@commaxxgroup.com



5. Service

Weitere Informationen und Unterstützung erhalten Sie unter www.lenco.com

Commaxx B.V. Wiebachstraat 37, 6466 NG Kerkrade, The Netherlands.

ATTENTION :

L'utilisation de commandes ou d'ajustements ou l'exécution de procédures autres que celles spécifiées dans le présent document peuvent entraîner une exposition dangereuse aux radiations.

PRÉCAUTIONS AVANT UTILISATION

GARDEZ CES INSTRUCTIONS À L'ESPRIT :

1. Ne couvrez pas et n'obtenez pas les ouvertures de ventilation. Lorsque vous placez l'appareil sur une étagère, laissez 5 cm (2") d'espace libre tout autour de l'appareil.
2. Installez-le conformément au mode d'emploi fourni.
3. Gardez l'appareil à l'écart des sources de chaleur telles que des radiateurs, appareils de chauffage, fours, bougies et autres produits générant de la chaleur ou une flamme nue. L'appareil ne peut être utilisé que dans des climats modérés. Les environnements extrêmement froids ou chauds doivent être évités. La plage de température de fonctionnement se situe entre 0° et 35° C.
4. Évitez d'utiliser l'appareil à proximité de champs magnétiques puissants.
5. Des décharges électrostatiques peuvent perturber le fonctionnement de cet appareil. Dans ce cas, il suffit de réinitialiser et de redémarrer l'appareil en suivant le mode d'emploi. Pendant le transfert de fichiers, manipulez l'appareil avec précaution et faites-le fonctionner dans un environnement sans électricité statique.
6. Mise en garde ! N'introduisez jamais un objet dans l'appareil par les ouvertures et les fentes de ventilation. Étant donné que des tensions élevées sont présentes à l'intérieur du produit, l'insertion d'un objet peut entraîner une électrocution et/ou court-circuiter les composants internes. Pour les mêmes raisons, ne versez pas de l'eau ou un liquide sur le produit.
7. Ne l'utilisez pas dans des endroits humides tels qu'une salle de bain, une cuisine pleine de vapeur ou à proximité d'une piscine.
8. L'appareil ne doit pas être exposé à des écoulements ou des éclaboussures et aucun objet contenant un liquide, tel qu'un vase, ne doit être posé sur ou près de l'appareil.
9. N'utilisez pas cet appareil lorsque de la condensation est possible. Lorsque l'appareil est utilisé dans une pièce humide et chaude, des gouttelettes d'eau ou de la condensation peuvent se former à l'intérieur de l'appareil et affecter son fonctionnement. Laissez l'appareil hors tension pendant 1 ou 2 heures avant de le mettre en marche : l'appareil doit être sec avant sa mise sous tension.
10. Bien que ce dispositif soit fabriqué avec le plus grand soin et contrôlé à plusieurs reprises avant de quitter l'usine, des problèmes peuvent néanmoins survenir, comme avec tous les appareils électriques. Si l'appareil émet de la fumée ou en cas d'accumulation excessive de la chaleur ou d'un phénomène inattendu, débranchez immédiatement la fiche d'alimentation du secteur.
11. Cet appareil doit fonctionner avec la source d'alimentation indiquée sur la plaque signalétique. Si vous n'êtes pas sûr du type d'alimentation utilisé chez vous, contactez votre revendeur ou le fournisseur local d'électricité.
12. Tenez l'appareil à l'abri des animaux. Certains animaux aiment ronger les cordons électriques.
13. Pour nettoyer l'appareil, servez-vous d'un chiffon doux et sec. N'utilisez pas de solvant ni d'autre liquide à base de pétrole. Pour enlever les taches importantes, vous pouvez vous servir d'un chiffon humide imbibé d'une solution de détergent diluée.
14. Le fournisseur n'est pas responsable des dommages ou pertes de données causés par un dysfonctionnement, une utilisation abusive, une modification de l'appareil ou un remplacement de la batterie.

15. N'interrompez pas la connexion lorsque l'appareil formate ou transfère des fichiers. Dans le cas contraire, les données pourraient être endommagées ou perdues.
16. Si l'appareil a une fonction de lecture USB, il faut brancher la clé USB directement sur l'appareil. N'utilisez pas un câble d'extension USB, car cela peut causer des interférences entraînant des pertes de données.
17. L'étiquette de classification se trouve sur le panneau inférieur ou arrière de l'appareil.
18. Cet appareil ne doit pas être utilisé par des personnes (y compris les enfants) souffrant de déficiences physiques, sensorielles ou mentales, ou d'un manque d'expérience et de connaissances, à moins qu'elles n'aient été supervisées ou qu'une personne responsable de leur sécurité ne leur ait donné des instructions sur l'utilisation correcte de l'appareil.
19. Ce produit est réservé à un usage non professionnel, et non pas à un usage commercial ni industriel.
20. Vérifiez que l'appareil est en position stable. La garantie ne couvre pas les dégâts occasionnés par l'utilisation de cet appareil en position instable, par les vibrations, les chocs ou par la non-observation de tout autre avertissement ou précaution contenus dans ce mode d'emploi.
21. N'ouvrez jamais cet appareil.
22. Ne placez jamais cet appareil sur un autre appareil électrique.
23. Ne laissez pas les sacs en plastique à la portée des enfants.
24. Utilisez uniquement les accessoires recommandés par le fabricant.
25. Confiez l'entretien et les réparations à un personnel qualifié. Une réparation est nécessaire lorsque l'appareil a été endommagé de quelque façon que ce soit, par exemple lorsque le cordon d'alimentation ou la prise sont endommagés, lorsqu'un liquide s'est déversé ou des objets sont tombés sur l'appareil, lorsque l'appareil a été exposé à la pluie ou à l'humidité, lorsqu'il ne fonctionne pas correctement ou est tombé.
26. Une exposition prolongée à la musique avec un volume élevé peut entraîner une perte auditive temporaire ou permanente.
27. Si l'appareil est livré avec un câble d'alimentation ou un adaptateur secteur :
 - En cas de problème, débranchez le cordon d'alimentation CA et confiez l'entretien à un personnel qualifié.
 - Ne marchez pas sur l'adaptateur secteur ou ne le coincez pas. Faites très attention, en particulier à proximité des fiches et du point de sortie du câble. Ne placez pas d'objets lourds sur l'adaptateur secteur, car ils pourraient l'endommager. Gardez l'appareil hors de portée des enfants ! Ils pourraient se blesser gravement s'ils jouent avec le câble d'alimentation.
 - Débranchez cet appareil pendant les orages ou lorsqu'il n'est pas utilisé pendant une longue durée.
 - La prise secteur doit être installée près de l'appareil et doit être facilement accessible.
 - Ne surchargez pas les prises de courant ou les rallonges. Une surcharge peut entraîner un incendie ou une électrocution.
 - Les appareils de classe 1 doivent être branchés à une prise de courant disposant d'une connexion protectrice à la terre.
 - Les appareils à la norme de construction de classe 2 ne nécessitent pas de connexion à la terre.
 - Tirez toujours sur la fiche pour débrancher le cordon de la prise secteur. Ne tirez pas sur le cordon d'alimentation. Cela pourrait provoquer un court-circuit.
 - N'utilisez pas un cordon ou une fiche d'alimentation endommagé ni une prise desserrée. Vous courez un risque d'incendie ou de décharge électrique.

28. Si le produit contient ou est livré avec une télécommande contenant des piles boutons :
- Avertissement :
- « N'ingérez pas la pile, car vous risquez une brûlure chimique » ou une formule équivalente.
 - La télécommande fournie contient une pile bouton/pièce de monnaie. Si la pile est avalée, elle peut causer de graves brûlures internes en seulement 2 heures et peut entraîner la mort.
 - Tenez les piles neuves et usagées hors de portée des enfants.
 - Si le compartiment à piles ne se ferme pas correctement, cessez d'utiliser l'appareil et tenez-le hors de portée des enfants.
 - Si vous pensez que les piles ont été avalées ou placées à l'intérieur d'une partie du corps, consultez un médecin immédiatement.
29. Mise en garde relative à l'utilisation des piles :
- Risque d'explosion si la pile est mal remplacée. Remplacez les piles par des piles d'un type identique ou équivalent.
 - Pendant l'utilisation, le stockage ou le transport, la pile ne doit pas être soumise à des températures extrêmement élevées ou basses, à une faible pression d'air à haute altitude.
 - Le remplacement d'une pile par une autre de type incorrect peut entraîner une explosion ou une fuite de liquide ou de gaz inflammable.
 - L'introduction d'une pile dans le feu ou dans un four chaud, l'écrasement ou le découpage mécanique peut entraîner une explosion.
 - L'exposition d'une pile dans un environnement à température extrêmement élevée peut entraîner une explosion ou une fuite de liquide ou de gaz inflammable.
 - L'exposition d'une pile à une pression d'air extrêmement basse peut entraîner une explosion ou une fuite de liquide ou de gaz inflammable.
 - Veuillez considérer les questions environnementales lors de la mise au rebut des piles.

INSTALLATION

- Déballez toutes les pièces et enlevez le matériau de protection.
- Ne connectez pas l'unité au secteur avant d'avoir vérifié la tension du secteur et avant que toutes les autres connexions n'aient été effectuées.

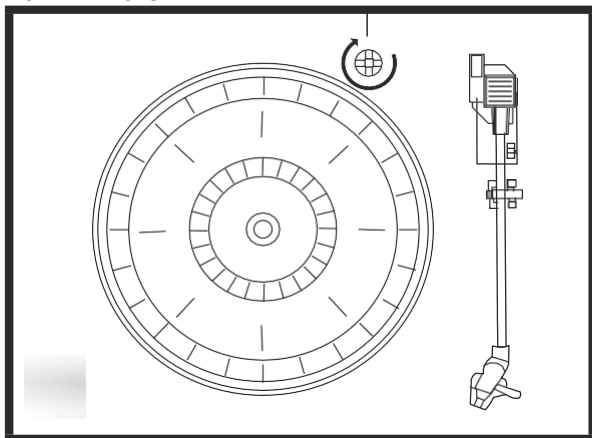
PRÉPARATION AVANT

UTILISATION DÉBALLAGE ET

INSTALLATION

- Sortez soigneusement l'appareil du carton et enlevez tous les emballages.
- Déroulez entièrement le cordon d'alimentation CA.
- Posez l'appareil sur une surface plane et stable, à proximité d'une prise CA. L'appareil ne doit pas se trouver à proximité d'une source de chaleur et ne doit pas être exposé au soleil, à la poussière, à l'humidité ou à la condensation. Il ne doit pas non plus être exposé à de forts champs magnétiques.
- Branchez la fiche d'alimentation sur une prise électrique CA.
- Levez le couvercle pour exposer le phonographe. Le phonographe a été sécurisé pour le transport avec une vis de transport.
- Utilisez une pièce de monnaie ou un tournevis pour tourner la vis de transport dans le sens des aiguilles d'une montre. Ceci fera « flotter » le tourne-disque.

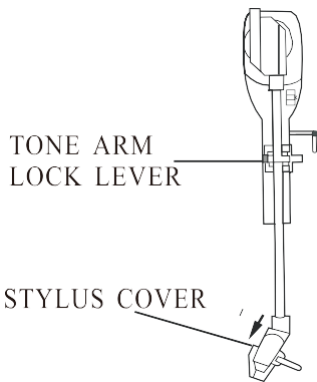
VIS DE TRANSPORT



- Enlevez la protection de la pointe de lecture en plastique blanc opaque qui est sur la pointe de lecture du phonographe en la glissant dans le sens de la flèche.

Jetez la protection de la pointe de lecture.

- Enlevez le lien torsadé qui servait à immobiliser le bras de lecture lors du transport.
- Libérez le levier de blocage du bras de lecture.
- Branchez la fiche d'alimentation sur une prise électrique CA.



EN	FR
tone arm lock lever	levier de blocage du bras de lecture
stylus cover	protection de la pointe de lecture

SOURCE D'ALIMENTATION

- Ce système utilise un adaptateur CA.
- Dans ce cas, faites changer votre prise électrique par un électricien diplômé qualifié.
- Pour que l'appareil fonctionne correctement, la fiche d'alimentation et la prise d'alimentation doivent correspondre.

Important : Lever et baisser le couvercle

Pour ouvrir le couvercle, soulevez-le jusqu'à ce que le support du couvercle s'enclenche en position ouverture.

Pour fermer le couvercle, levez-le légèrement pour qu'il se débloque puis baissez-le doucement.

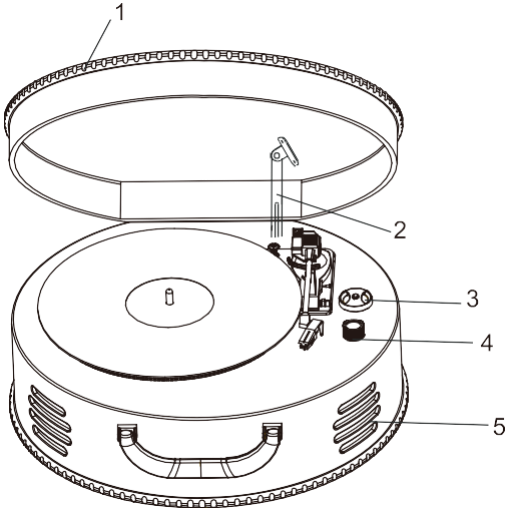
NE FORCEZ JAMAIS LE COUVERCLE CAR VOUS RISQUERIEZ D'ENDOMMAGER LE BOÎTIER OU LE COUVERCLE.

PROTECTION DES MEUBLES

Ce modèle est équipé de pieds antidérapants pour éviter qu'il ne bouge pendant que l'utilisateur effectue les réglages. Ces pieds sont en caoutchouc spécialement formulé pour éviter les traces ou les marques sur vos meubles. Cependant, certains types de cires pour meubles, de produits d'entretien du bois ou d'aérosols dépoussiérants peuvent provoquer une réaction chimique avec les pieds et les rendre plus mous : ceci risque de provoquer des marques ou des résidus de caoutchouc sur vos meubles. Pour éviter d'endommager vos meubles, nous vous recommandons d'acheter des petits feutres adhésifs, disponibles en grandes-surfaces et en droguerie, et de les coller sous les pieds en caoutchouc avant de poser l'appareil sur un meuble en bois fragile.

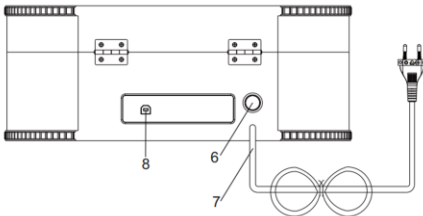
EMPLACEMENT DES BOUTONS ET VOYANTS

FACADE



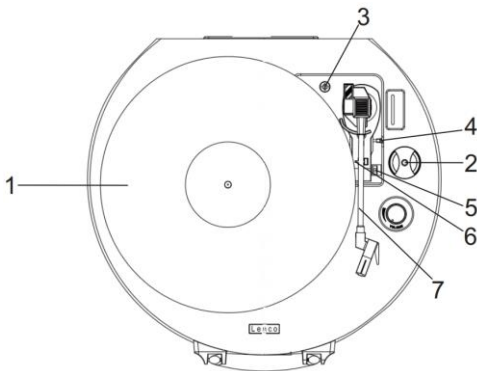
- 1) COUVERCLE DU PHONOGRAPHE
- 2) SUPPORT DU COUVERCLE DU PHONOGRAPHE
- 3) ADAPTATEUR 45 TOURS
- 4) RÉGLAGE DU VOLUME
- 5) ENCEINTES

PANNEAU ARRIÈRE



- 6) BOUTON MARCHÉ/ARRÊT
- 7) CORDON D' ALIMENTATION SECTEUR
- 8) CONNECTEUR USB

PHONOGRAPHE



- 1) Tourne-disque
- 2) Adaptateur 45 tours
- 3) Vis de transport
- 4) Lève-bras
- 5) Sélecteur de vitesse (33, 45 et 78 tours)
- 6) Blocage du bras de lecture
- 7) Bras de lecture avec pointe de lecture

LECTURE DE DISQUES

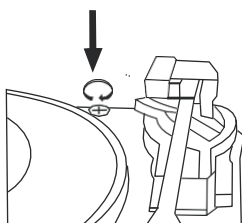
Ce système inclut un tourne-disque entraîné par courroie à 3 vitesses grandeur nature. Il permet de lire des disques 33, 45 et 78 tours.

- 1) Appuyez sur le bouton MARCHE/ARRÊT pour mettre en marche l'appareil.
- 2) Vérifiez que vous avez bien enlevé la protection de la pointe de lecture et avez libéré le bras de lecture qui immobilisait le bras de lecture sur son support.
- 3) Réglez le sélecteur de vitesse du tourne-disque sur la vitesse appropriée : 33, 45 ou 78 tours par minute. Si vous lisez des 45 tours, placez l'adaptateur de 45 tours sur l'axe central.
- 4) Placez votre disque sur l'axe central.
- 5) Levez le lève-bras pour lever le bras de lecture hors de son support. Placez le bras de lecture au bord du disque. Le tourne-disque démarre automatiquement. Utilisez le lève-bras pour baisser délicatement le bras de lecture sur le disque.
- 6) Quand le bras de lecture atteint la fin du disque, il revient automatiquement sur son support et le lecteur de disque s'arrête.
- 7) Pour régler l'appareil sur « Off » (l'éteindre), maintenez enfoncé le bouton MARCHE/ARRÊT pendant 2 secondes.

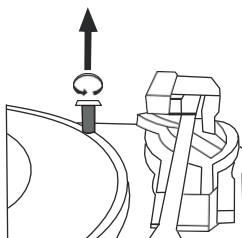
REMARQUE : Ne tournez pas ou n'arrêtez pas le tourne-disque manuellement, car déplacer ou secouer le tourne-disque sans immobiliser la pince du bras de lecture pourrait endommager le bras de lecture.

Important

- POUR PROTÉGER LE TOURNE-DISQUE DES DOMMAGES PENDANT LE TRANSPORT, UNE VIS DE TRANSPORT EN ARGENT SE SITUE EN HAUT À DROITE DE LA PLATEFORME DU TOURNE-DISQUE.
- AVANT DE LIRE, UTILISEZ UN TOURNEVIS POUR TOURNER LA VIS DE TRANSPORT DANS LE SENS DES AIGUILLES D'UNE MONTRE (VIS QUI DESCEND) COMPLÈTEMENT POUR DÉBLOQUER LE TOURNE-DISQUE.



- POUR RE-BLOQUER LE TOURNE-DISQUE POUR LE TRANSPORT, TOURNEZ LA VIS DANS LE SENS INVERSE DES AIGUILLES D'UNE MONTRE.



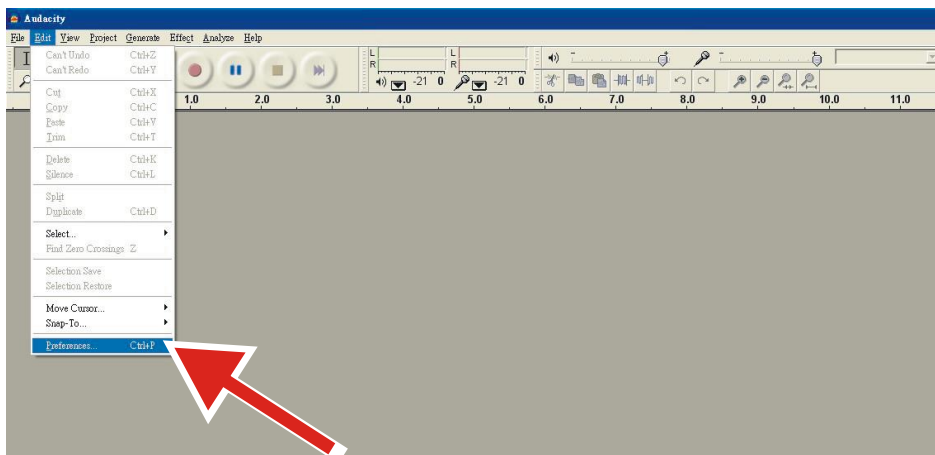
VUE D'ENSEMBLE DU LOGICIEL AUDACITY

Audacity est un logiciel gratuit, licencié sous GNU Licence Publique Générale (GPL). Plus d'informations, de même que le code de source ouverte peuvent être trouvés sur le Web à <https://www.audacityteam.org/download/>

* **Veillez vous assurer que vous avez installé le logiciel avant de commencer.**

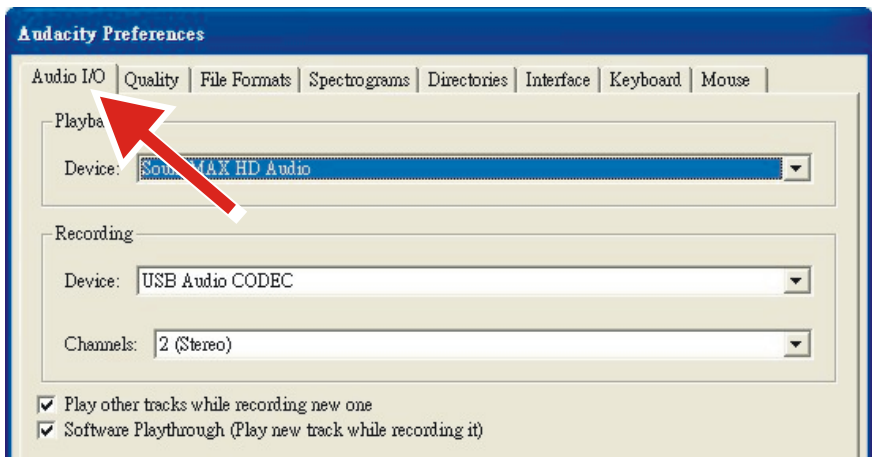
Paramétrer votre PC avant de travailler avec Audacity

1. Connecter une source d'entrée à l'unité.
2. Connecter la fiche USB sur votre ordinateur.
3. Installer le logiciel d'enregistrement Audacity.
4. Ouvrir le programme Audacity.
5. Sélectionner Preference (Préférence) sur Edit (Modifier) dans le Menu Audacity.



6. Sélectionner **Audio I/O (M/A audio)** en haut à gauche.

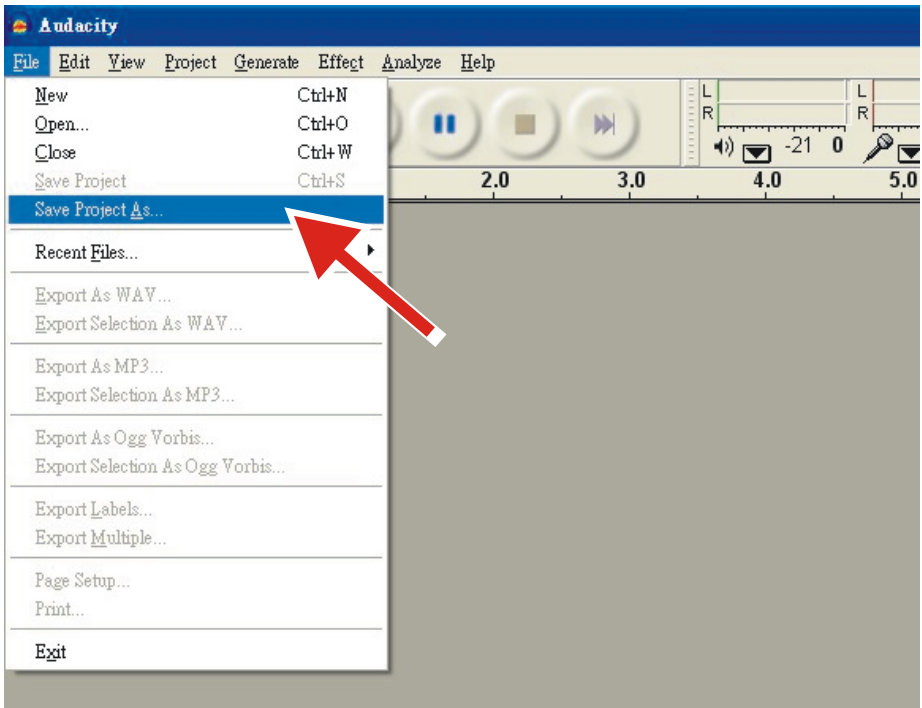
- Sous Lecture, Appareil, sélectionner **votre internal sound card**.
- Sous Enregistrement, Appareil, sélectionner **USB Audio CODEC (CODEC audio USB)**.
- Sous Enregistrement, Canaux, sélectionner **2 (Stereo) (2 (stéréo))**.
- Vérifier la case marquée **Play other tracks while recording new one** (Jouer d'autres morceaux pendant l'enregistrement d'un nouveau).
- Vérifier la case marquée **Software Playthrough** (Jouer dans le logiciel).






Enregistrement d'album avec Audacity

1. Sauvegarde d'un projet

- Audacity inscrit tous les audios changés et enregistrés sur un répertoire appelé **Projectname_data**, situé à droite d'où vous avez sauvegardé le fichier de projet lui-même.
- Puis, sélectionner **Save Project as** (Sauvegarder le projet sous) sur le Fichier Audacity, et choisir un endroit et un nom de fichier pour votre projet.
- veuillez noter que lorsque vous démarrez Audacity pour la première fois, seule l'option "**Save As...**" (Sauvegarder sous...) est disponible.



2. Comment enregistrer

- Mettre le tourne-disque en état de jouer un morceau ou un album que vous voulez enregistrer.
- Cliquer sur la touche Enregistrement  pour commencer à enregistrer.
- Abaisser le bras sur l'album posé sur le tourne-disque USB et chercher ce que vous désirez enregistrer.
- Cliquer sur la touche bleue de Pause  pour interrompre l'enregistrement. Réappuyer dessus pour reprendre.
- Cliquer sur la touche jaune Arrêt. 

Voilà. Vous pouvez maintenant vous amuser avec votre enregistreur et explorer les capacités d'Audacity. Rappelez-vous que vous pouvez utiliser la fonction Undo pratiquement sans limite quand le projet est ouvert.

REMARQUE : Le CD ne peut pas être imprimé directement depuis l'application Audacity. D'autres applications d'impression de CD doivent être utilisées.

1. Garantie

Commaxx B.V. propose un entretien et une garantie conformément à la législation européenne, ce qui signifie qu'en cas de besoin de réparation (aussi bien pendant et après la période de garantie), vous pouvez contacter votre revendeur le plus proche.

Remarque importante : Il n'est pas possible de renvoyer l'appareil pour réparation directement à Commaxx B.V.

Remarque importante : Si l'unité est ouverte ou modifiée de quelque manière que ce soit par un réparateur non agréé, la garantie serait caduque.

Cet appareil ne convient pas à une utilisation professionnelle. En cas d'utilisation professionnelle, les obligations de garantie du fabricant seront annulées.

2. Clause de non responsabilité

Des mises à jour du logiciel et/ou des composants informatiques sont régulièrement effectuées. Il se peut donc que certaines instructions, caractéristiques et images présentes dans ce document diffèrent légèrement de votre configuration spécifique. Tous les articles décrits dans ce guide le sont fournis uniquement à des fins d'illustration et peuvent ne pas s'appliquer à une configuration spécifique. Aucun droit légal ne peut être obtenu depuis les informations contenues dans ce manuel.

3. Mise au rebut de l'appareil usagé



Ce symbole indique que l'équipement électrique concerné ou la batterie ne doivent pas être jetés parmi les autres déchets ménagers en Europe. Afin de garantir un traitement approprié de la batterie ou de l'appareil usagés, veuillez les mettre au rebut conformément à la réglementation locale en vigueur relative aux équipements électriques et autres batteries. En agissant de la sorte, vous contribuerez à la préservation des ressources naturelles et à l'amélioration des niveaux de protection environnementale concernant le traitement et la destruction des déchets électriques (Directive sur les déchets des équipements électriques et électroniques).

4. Marquage CE

Par la présente, Commaxx B.V. Wiebachstraat 37, 6466 NG Kerkrade, Pays-Bas, déclare que ce produit est conforme aux exigences principales des directives européennes. La déclaration de conformité peut être consultée au lien : techdoc@commaxxgroup.com



5. Service

Pour en savoir plus et obtenir de l'assistance, visitez www.lenco.com

Commaxx B.V. Wiebachstraat 37, 6466 NG Kerkrade, The Netherlands.

PRECAUCIÓN:

El uso de controles o ajustes o rendimiento de procedimientos excepto aquellos que los aquí especificados puede provocar una exposición peligrosa a la radiación.

PRECAUCIONES PREVIAS AL USO**TENGA ESTAS INSTRUCCIONES EN MENTE:**

1. No cubra o bloquee ninguna apertura de ventilación. Cuando coloque el dispositivo en una estantería, deje 5 cm (2") de espacio libre alrededor de todo el dispositivo.
2. Instálelo conforme al manual de usuario que se adjunta.
3. Mantenga el aparato alejado de fuentes de calor, como radiadores, calentadores, estufas, velas u otros productos que generen calor o llama viva. El aparato solo puede usarse en climas moderados. Se deben evitar los ambientes extremadamente fríos o cálidos. La gama de temperatura de funcionamiento es de entre 0° y 35°C.
4. Evite usar el dispositivo cerca de campos magnéticos fuertes.
5. Una descarga electrostática puede entorpecer el uso normal de este dispositivo. En tal caso, simplemente reinicielo siguiendo el manual de instrucciones. Durante la transmisión de archivos, por favor manéjelo con cuidado opérela en un entorno libre de electricidad estática.
6. ¡Advertencia! Nunca inserte un objeto en el producto a través de las ventilaciones o aperturas. Alto voltaje fluye a través del producto e insertar un objeto puede provocar una descarga eléctrica y/o un cortocircuito de sus componentes internos. Por el mismo motivo, no derrame agua o líquidos en el producto.
7. No lo utilice en zonas húmedas, como cuartos de baño, cocinas en las que se forme vapor ni cerca de piscinas.
8. El aparato no debe exponerse a goteos o salpicaduras y asegúrese de que se colocan sobre o cerca del aparato objetos llenos de líquidos, como jarrones.
9. No use este dispositivo cuando se pueda producir condensación. Cuando la unidad se usa en una sala húmeda cálida, se pueden formar gotitas de agua o condensación en el interior de la unidad y esta puede no funcionar adecuadamente; deje que la unidad se apague durante 1 o 2 horas antes de volver a encender la unidad: el aparato debe estar seco antes de conectarse a una fuente de alimentación.
10. Aunque este dispositivo está fabricado con el máximo cuidado y comprobado varias veces antes de salir de fábrica, todavía es posible que se puedan producir problemas, al igual que con todos los aparatos eléctricos. Si observa la aparición de humo, una acumulación excesiva de calor o cualquier otro fenómeno inesperado, deberá desconectar inmediatamente el enchufe de la toma de corriente.
11. Este dispositivo debe funcionar con una fuente de alimentación que se especifica en la etiqueta de especificaciones. Si no está seguro del tipo de alimentación que se usa en su hogar, consulte con el distribuidor o una compañía eléctrica local.
12. Manténgalo alejado de los animales. A algunos animales les encanta morder los cables de alimentación.
13. Para limpiar el dispositivo use un paño seco y suave. No utilice líquidos disolventes ni con base de petróleo. Para eliminar manchas difíciles, puede usar un paño húmedo con detergente diluido.
14. El proveedor no asume ninguna responsabilidad por daños o datos perdidos provocados por un funcionamiento incorrecto, uso incorrecto, modificación del dispositivo o sustitución de la batería.
15. No interrumpa la conexión cuando el dispositivo esté formateando o transfiriendo archivos. En caso contrario, los datos se pueden estropear o perder.

16. Si la unidad dispone de función de reproducción USB, se debe conectar la memoria USB directamente en la unidad. No utilice un cable de extensión USB ya que pueden crear interferencias que causen una pérdida de datos.
17. La etiqueta calificativa se encuentra en la parte inferior o en el panel posterior del aparato.
18. Este dispositivo no está diseñado para su uso por parte de personas (incluyendo niños) con discapacidad física, sensorial o mental o con falta de experiencia o conocimientos, salvo que se les haya dado supervisión o instrucciones acerca del uso correcto del dispositivo por parte de una persona responsable de su seguridad.
19. Este producto está diseñado para un uso no profesional únicamente y no para un uso comercial o industrial.
20. Asegúrese de que la unidad esté fijada en una posición estable. La garantía no cubrirá los daños derivados de usar este producto en una posición inestable, vibraciones o golpes o por no seguir otras advertencias o precauciones que aparecen en este manual de usuario.
21. Nunca retire la carcasa del dispositivo.
22. Nunca coloque este dispositivo sobre otro equipo eléctrico.
23. Mantenga las bolsas de plástico fuera del alcance de los niños.
24. Use únicamente los dispositivos/accesorios especificados por el fabricante.
25. Remita todas las reparaciones al personal cualificado. Es necesario el mantenimiento cuando el aparato presenta cualquier tipo de daño, por ejemplo, el cable de alimentación o el enchufe presentan daños; se ha vertido líquido sobre el aparato; se han caído objetos en el aparato; el aparato se ha expuesto a la lluvia o humedad; el aparato no funciona normalmente o se ha caído.
26. Una larga exposición a sonidos elevados de reproductores de música personales puede provocar una pérdida de audición temporal o permanente.
27. Si el producto viene con un cable de alimentación o un adaptador de corriente de CA:
 - Si se produce cualquier problema, desconecte el cable de alimentación CA y remítalo a mantenimiento por parte de personal cualificado.
 - No pise o pince el adaptador de alimentación. Tenga mucho cuidado, en especial en las zonas alrededor de las tomas y el punto de salida del cable. No coloque objetos pesados en el adaptador de alimentación, ya que pueden dañarlo. ¡Mantenga el dispositivo fuera del alcance de los niños! Si juegan con el cable de alimentación, puede sufrir lesiones graves.
 - Desconecte el dispositivo durante tormentas eléctricas o cuando no vaya a usarse durante periodos prolongados de tiempo.
 - La salida de la toma debe instalarse cerca del equipo y debe ser fácilmente accesible.
 - No sobrecargue las tomas CA o los cables de extensión. La sobrecarga puede provocar un incendio o una descarga eléctrica.
 - Los dispositivos con construcción de Clase 1 deben estar conectados a una toma de corriente con una conexión a tierra protegida.
 - Los dispositivos con construcción de Clase 2 no requieren una conexión a tierra.
 - Sujete siempre el enchufe cuando los extraiga de la toma de corriente. No tire del cable de alimentación. Esto puede provocar un cortocircuito.
 - No utilice un cable de alimentación o enchufe deteriorado o una toma suelta. Si lo hace, podría provocar un incendio o una descarga eléctrica.

28. Si el producto contiene o se entrega con un mando a distancia que contiene pilas de botón / celdas:
Advertencia:
- “Ni ingiera la pila, riesgo de quemadura química” o frase equivalente.
 - [El mando a distancia que se suministra] Este producto contiene una pila de tipo botón/moneda. Si la pila se traga, puede provocar graves quemaduras internas en sólo 2 horas y podría ocasionar la muerte.
 - Mantenga las pilas nuevas o usadas fuera del alcance de los niños.
 - Si el compartimiento de las pilas no se cierra correctamente, deje de usar el producto y no lo deje al alcance los niños.
 - Si tiene la sospecha de que una pila ha sido ingerida o se encuentra en algún lugar del cuerpo, busque inmediatamente atención médica.
29. Precaución sobre el uso de las pilas:
- Existe riesgo de explosión si la pila no se sustituye correctamente. Sustitúyala únicamente con otra del mismo tipo u otro equivalente.
 - No se pueden exponer las pilas a temperaturas extremadamente altas o bajas, baja presión de aire a gran altitud durante el uso, almacenamiento o transporte.
 - Si cambia la pila por otra que no sea la correcta, se puede producir una explosión o la fuga de líquidos o gases inflamables.
 - Si arroja la pila al fuego o a un horno caliente, o aplasta o corta mecánicamente una pila, podría provocar una explosión.
 - Si deja una pila en un lugar con temperaturas extremadamente altas, se puede producir una explosión o una fuga de líquido o gas inflamable.
 - Si se expone la pila a una presión de aire extremadamente baja, se puede producir una explosión o la fuga de líquidos o gases inflamables.
 - Se debe prestar atención a los aspectos medioambientales sobre la eliminación de baterías.

INSTALACIÓN

- Desembale todas las piezas y retire el material protector.
- No conecte la unidad a la corriente eléctrica antes de comprobar la tensión de la corriente y antes de que se hayan hecho todas las demás conexiones.

- Una pila sometida a una presión del aire extremadamente baja puede provocar una explosión o la fuga de líquido o gas inflamable.
- Se debe prestar atención a los aspectos medioambientales sobre la eliminación de baterías.

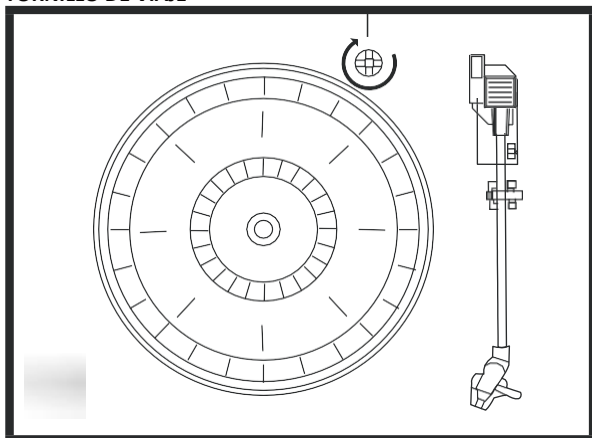
INSTALACIÓN

- Desembale todas las piezas y retire el material protector.
- No conecte la unidad a la corriente eléctrica antes de comprobar la tensión de la corriente y antes de que se hayan hecho todas las demás conexiones.

PREPARACIÓN PARA EL USO DESEMBALAJE Y CONFIGURACIÓN

- Retire con cuidado la unidad del cartón de muestra y retire todo el material de embalaje de la unidad.
- Desenrolle la toma de alimentación CA y extiéndala hasta alcanzar su longitud máxima.
- Coloque la unidad sobre una superficie estable y nivelada, cerca de una toma CA. Alejada de la luz solar directa, así como de un calor, polvo, humedad excesivas o campos magnéticos fuertes.
- Conecte el enchufe a la toma CA.
- Suba la tapa para mostrar el fonógrafo. El fonógrafo ha sido asegurado para su transporte mediante un tornillo para el transporte.
- Use una moneda o un destornillador para girar el tornillo de transporte en dirección horaria. Esto permitirá que el tocadiscos “flote”.

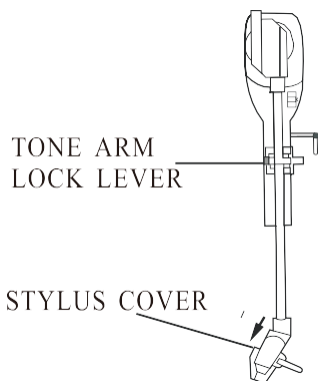
TORNILLO DE VIAJE



- Retire la pata de la aguja blanca opaca de la aguja del fonógrafo deslizándola en la dirección de la flecha.

Elimine la cubierta de la aguja.

- Retire la atadura de alambre que se ha empleado para asegurar el brazo del tocadiscos durante el envío.
- Suelte la palanca de bloqueo del brazo del tocadiscos.
- Conecte el enchufe a la toma CA.



EN	ES
TONE ARM LOCK LEVER	PALANCA DE BLOQUEO DEL BRAZO DEL TOCADISCOS
STYLUS COVER	CUBIERTA DE AL AGUJA

FUENTE DE ALIMENTACIÓN

- Este sistema usa un adaptador CA.
- Debe hacer que un electricista cualificado le cambie la toma de salida.
- Para hacer que esta operación funcione correctamente, el enchufe de alimentación y la toma de alimentación deben corresponderse adecuadamente.

IMPORTANTE: Subir y bajar la tapa

Para abrir la tapa, súbala hasta que la abrazadera de apoyo de la tapa "se bloquee" en la posición abierta.

Para cerrar la tapa, levántela hacia arriba ligeramente hasta que la abrazadera de apoyo de la tapa "se desbloquee", y después suavemente baje la tapa.

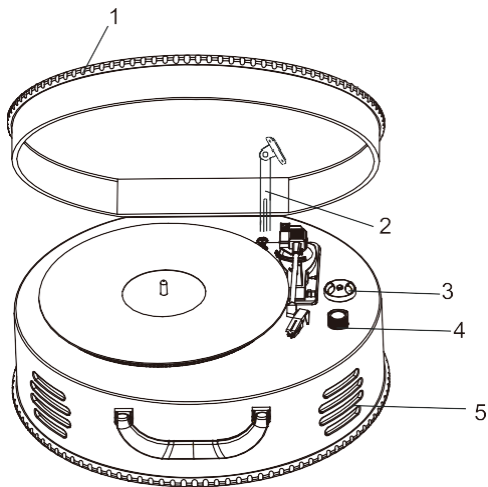
PARA EVITAR DAÑOS A LA CAJA O LA TAPA, NUNCA FUERCE LA TAPA

PROTEJA SU MOBILIARIO

Este modelo está equipado "pies" de goma "antideslizantes" para evitar que el producto se mueva cuando opere los controles. Estos "pies" están fabricados en material de goma antidesplazamiento formulado especialmente para evitar dejar marcas o manchas en el mobiliario. Sin embargo, cierto tipo de ceras para muebles basadas en aceite, conservantes de la madera o sprays de limpieza pueden provocar que los "pies" de goma se suavicen y dejen marcas o residuos de goma en el mobiliario. Para evitar cualquier daño al mobiliario recomendamos encarecidamente que adquiera unas almohadillas de fieltro autoadhesivas disponibles en ferreterías y centros de bricolaje del hogar y aplique estas almohadillas en la parte inferior de los "pies" de goma antes de colocar el producto sobre muebles de madera.

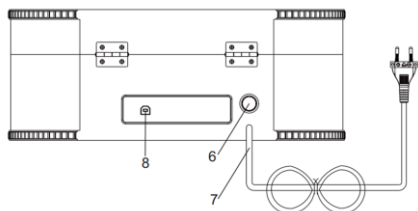
UBICACIÓN DE LOS CONTROLES E INDICADORES

PANEL FRONTAL



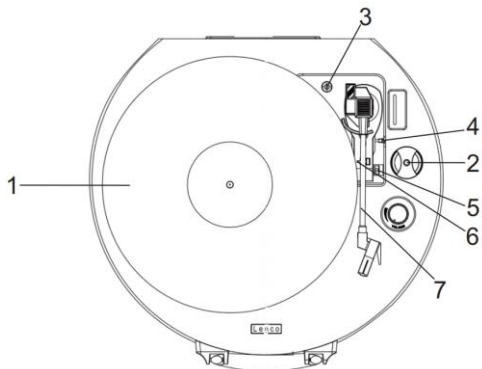
- 1) TAPA DEL FONÓGRAFO
- 2) ABRAZADERA DE APOYO DE LA TAPA DEL FONÓGRAFO
- 3) ADAPTADOR DE 45RPM
- 4) CONTROL DE VOLUMEN
- 5) ALTAVOCES

PANEL POSTERIOR



- 6) BOTÓN DE ENCENDIDO/APAGADO
- 7) CABLE DE ALIMENTACIÓN DE CA
- 8) PUERTO USB

FONÓGRAFO



- 1) Tocardiscos
- 2) Adaptador de 45RPM
- 3) Tornillo de transporte
- 4) Palanca de señales
- 5) Selector de velocidad (33 & 45 y 78RPM)
- 6) Bloqueo del brazo del tocadiscos
- 7) Brazo del tocadiscos con aguja

REPRODUCIR DISCOS

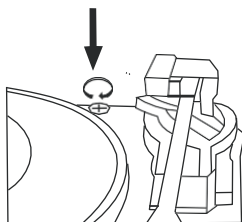
Este sistema incluye un tocadiscos propulsado por correa de 3 velocidades de gran tamaño. Puede reproducir discos de 33, 45, y 78RPM.

- 1) Pulse el botón de ENCENDIDO para encender la unidad.
- 2) Asegúrese de que ha retirado la tapa de la aguja de la misma y ha soltado el bloqueo del brazo del tocadiscos que asegura el brazo al punto de descanso del mismo.
- 3) Fije el selector de velocidad del tocadiscos a la velocidad adecuada, 33, 45, o 78RPM. Si está reproduciendo singles de 45RPM, coloque el adaptador de 45RPM en el eje central.
- 4) Coloque el disco en el eje central.
- 5) Levante la palanca de SONIDO para levantar el brazo de su soporte. Mueva el brazo hasta el borde del disco. El tocadiscos empieza a girar de forma automática. Use la palanca de SONIDO para bajar suavemente el brazo sobre el disco.
- 6) Cuando el brazo llegue el final del disco, vuelve de forma automática al soporte del brazo y se detiene la reproducción del disco.
- 7) Para apagar el sistema "Off (Apagado)", mantenga pulsado el botón de ENCENDIDO durante 2 segundos.

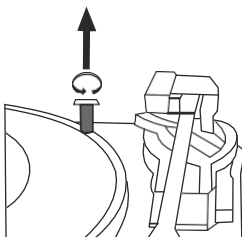
NOTA: No gire o detenga el tocadiscos de forma manual; mover o golpear el tocadiscos son asegurar la abrazadera del brazo puede provocar daños al brazo.

IMPORTANTE

- PARA PROTEGER EL TOCADISCOS FRENTE A DAÑOS DURANTE EL TRANSPORTE, SE ENCUENTRA SITUADO UN TORNILLO DE TRANSPORTE PLATEADO EN LA ESQUINA SUPERIOR DERECHA DE LA PLATAFORMA DEL TOCADISCOS.
- ANTES DE REPRODUCIRLO, POR FAVOR, USE UN DESTORNILLADOR PARA GIRAR EL TORNILLO DE TRANSPORTE EN SENTIDO HORARIO (EL TORNILLO BAJA) COMPLETAMENTE PARA DESBLOQUEAR EL TOCADISCOS.



- PARA VOLVER A BLOQUEAR EL TOCADISCOS PARA SU TRANSPORTE, POR FAVOR, GIRE EL TORNILLO EN SENTIDO ANTIHORARIO.



RESUMEN DEL SOFTWARE AUDACITY

Audacity es un software gratuito con la Licencia Pública General (GPL, por sus siglas en inglés) de GNU.

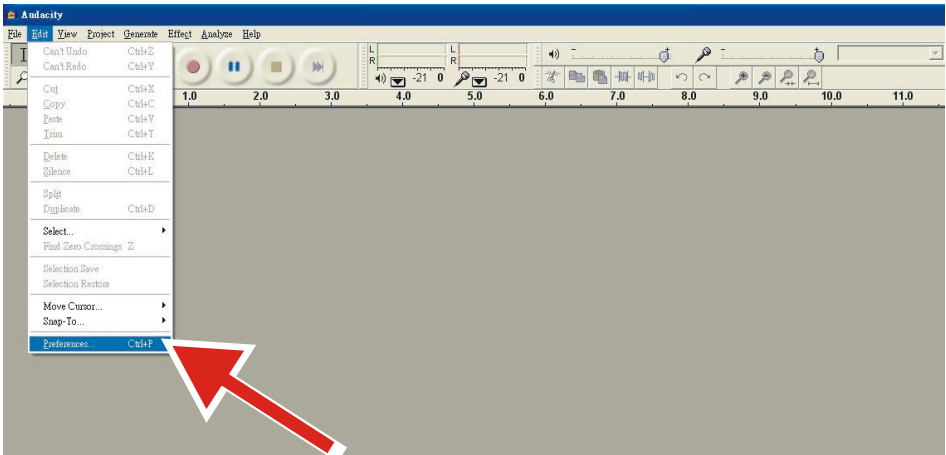
Puede encontrar más información y el código fuente abierto en la página web

<https://www.audacityteam.org/download/>

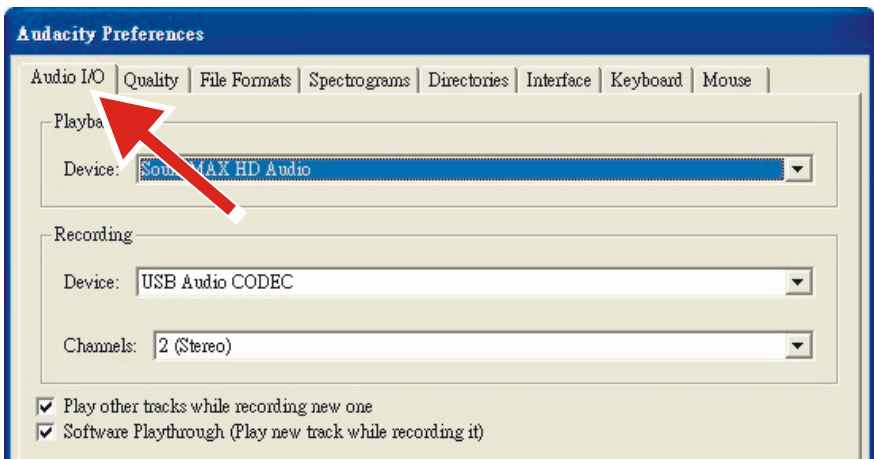
* **Asegúrese de instalar el software antes de empezar.**

Configurar el PC para trabajar con Audacity

1. Conecte una fuente de entrada a la unidad.
2. Conecte el cable USB al ordenador.
3. Instale el software de grabación Audacity.
4. Abra el programa Audacity.
5. Seleccione Preference (Preferencias) en la pestaña Edit (Editar) del menú de Audacity.



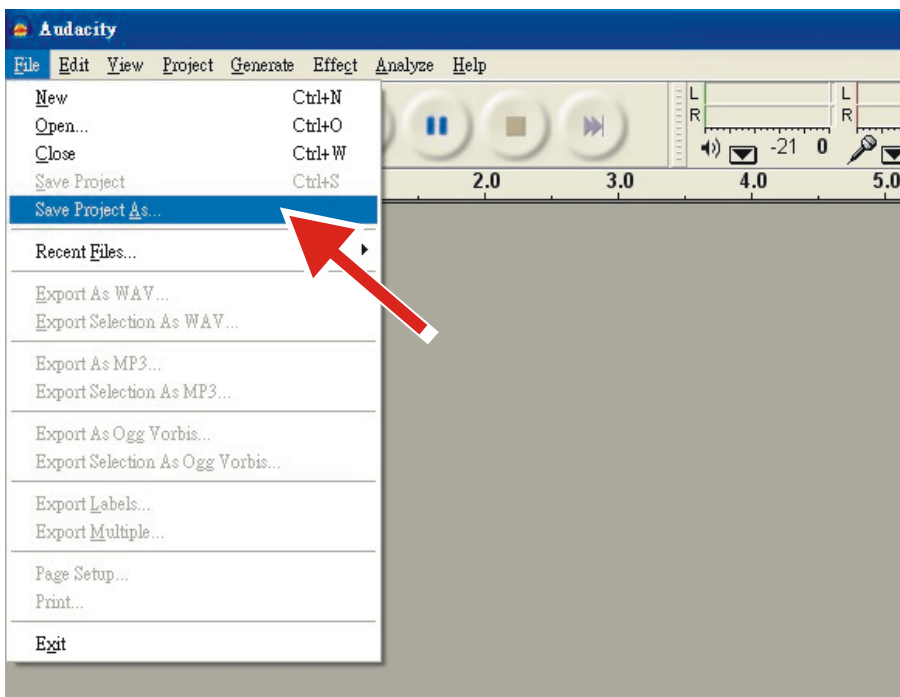
6. Seleccione la pestaña **Audio I/O** (E/S de audio) en la esquina superior izquierda.
 - En Reproducción, Dispositivo, seleccione **su tarjeta de sonido interna**.
 - En Grabación, Dispositivo, seleccione **Códec de audio USB** (USB Audio CODEC).
 - En Grabación, Canales, seleccione **2 (Stereo)** (2 (Estéreo)).
 - Marque la casilla **Play other tracks while recording new one** (Reproducir otras pistas mientras se graba una nueva).
 - Marque la casilla **Software Playthrough** (Playthrough de software).



Grabar álbumes con Audacity


1. Guardar un proyecto

- Audacity escribe todo el audio grabado y modificado en un directorio llamado **Projectname_data**, ubicado donde se guardó el archivo de proyecto.
- Por tanto, seleccione **Save Project as** (Guardar proyecto como) en la pestaña Archivo (File) de Audacity y elija una ubicación y nombre de archivo para el proyecto.
- Tenga en cuenta que cuando inicie Audacity por primera vez sólo estará disponible la opción **“Save As...”** (Guardar como...) en el menú.

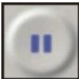



2. Cómo grabar

- Ajuste el tocadiscos USB para reproducir la canción o álbum que desea grabar.

- Pulse el botón rojo de Grabar  para empezar a grabar.

- Baje el brazo del tocadiscos USB sobre el álbum y la pista que desea grabar.

- Pulse el botón azul de Pausa  para pausar la grabación. Vuelva a pulsarlo para continuar.

- Pulse el botón amarillo de Parar. 

Ya está. Ahora puede practicar con las grabaciones y probar las opciones de edición de Audacity. Recuerde que puede usar la función Deshacer de forma casi ilimitada mientras el proyecto esté abierto.

NOTA: No se pueden grabar CD directamente con la aplicación Audacity. Deberá usar otras aplicaciones de grabación de CD.

1. Garantía

Commaxx B.V. ofrece servicio y garantía en cumplimiento con las leyes de la Unión Europea, lo cual implica que, en caso de que su producto precise ser reparado (tanto durante como después del periodo de garantía), deberá contactar directamente con su distribuidor.

Nota importante: No es posible enviar sus reparaciones directamente a Commaxx B.V.

Nota importante: Si la unidad es abierta por un centro de servicio no oficial, la garantía quedará anulada.

Este aparato no es adecuado para el uso profesional. En caso de darle un uso profesional, todas las obligaciones de garantía del fabricante quedarán anuladas.

2. Exención de responsabilidad

Regularmente se llevan a cabo actualizaciones en el Firmware y en los componentes del hardware. Por esta razón, algunas de las instrucciones, especificaciones e imágenes incluidas en este documento pueden diferir ligeramente respecto a su situación particular. Todos los elementos descritos en esta guía tienen un objetivo de mera ilustración, y pueden no ser de aplicación en su situación particular. No se puede obtener ningún derecho ni derecho legal a partir de la descripción hecha en este manual.

3. Eliminación del antiguo dispositivo



Este símbolo indica que no deberá deshacerse del producto eléctrico o batería en cuestión junto con los residuos domésticos, en el ámbito de la UE. Para garantizar un tratamiento residual correcto del producto y su batería, por favor, elimínelos cumpliendo con las leyes locales aplicables sobre requisitos para el desechado de equipos eléctricos y baterías. De hacerlo, ayudará a conservar recursos naturales y mejorar los estándares de protección medioambiental en el tratamiento y eliminación de residuos eléctricos (Directiva sobre la Eliminación de Equipos Eléctricos y Electrónicos).

4. Marca CE

Por la presente, Commaxx B.V. Wiebachstraat 37, 6466 NG Kerkrade, Países Bajos, declara que este producto cumple con las exigencias esenciales de la directiva de la UE. La declaración de conformidad puede consultarse mediante techdoc@commaxxgroup.com



5. Service (Servicio)

Para obtener más información y soporte del departamento técnico, por favor, visite la página web www.lenco.com
Commaxx B.V. Wiebachstraat 37, 6466 NG Kerkrade, The Netherlands.

ATTENZIONE:

L'utilizzo di comandi o regolazioni o l'esecuzione di procedure diverse da quelle specificate può causare l'esposizione a radiazioni pericolose.

PRECAUZIONI PRIMA DELL'USO**CONSERVARE QUESTE ISTRUZIONI:**

1. Non coprire o bloccare le aperture di ventilazione. Quando si posiziona il dispositivo su uno scaffale, lasciare uno spazio libero di 5 cm (2") attorno all'intero perimetro.
2. Installare secondo quanto riportato nel manuale fornito.
3. Tenere il dispositivo lontano da sorgenti termiche come radiatori, termosifoni, stufe, candele e altri prodotti che generano calore o fiamme libere. Il dispositivo può essere utilizzato solo in climi moderati. Evitare ambienti estremamente freddi o caldi. Temperatura operativa compresa tra 0° e 35°C.
4. Evitare l'uso del dispositivo in presenza di forti campi magnetici.
5. Le scariche elettrostatiche possono interferire con il normale utilizzo di questo dispositivo. In tal caso, è sufficiente ripristinare e riavviare il dispositivo seguendo il manuale di istruzioni. Durante la trasmissione di file, maneggiarlo con cura e operare in un ambiente privo di elettricità statica.
6. Avvertenza! Non inserire mai oggetti nel prodotto attraverso le prese d'aria o le aperture. All'interno del prodotto sono presenti tensioni elevate e l'inserimento di un oggetto può provocare scariche elettriche e/o cortocircuiti. Per lo stesso motivo, non versare acqua o liquidi sul prodotto.
7. Non utilizzare in aree umide o bagnate, come ad esempio bagni, cucine con vapore o piscine.
8. Non esporre il dispositivo a schizzi o gocciolamenti di liquidi; non poggiare sopra o accanto al dispositivo oggetti contenenti liquidi, ad esempio vasi.
9. Non utilizzare questo dispositivo in caso di condensa. Quando l'unità viene utilizzata in una stanza calda e umida, all'interno dell'unità possono formarsi goccioline d'acqua o condensa e l'unità potrebbe non funzionare correttamente; lasciare l'unità spenta per 1 o 2 ore prima di accenderla: l'unità deve essere asciutta prima di essere alimentata.
10. Sebbene questo dispositivo sia stato fabbricato con la massima cura e controllato più volte prima di lasciare la fabbrica, è comunque possibile che si verifichino problemi come per qualsiasi altra apparecchiatura elettrica. Se si nota fumo, eccessivo accumulo di calore o altri fenomeni imprevisti, scollegare immediatamente la spina dalla rete di alimentazione.
11. Questo dispositivo deve funzionare con una fonte di alimentazione corrispondente ai valori indicati sull'etichetta delle specifiche. Se non si è sicuri del tipo di alimentazione di rete domestica, consultare il rivenditore o la compagnia elettrica locale.
12. Tenere fuori dalla portata degli animali domestici, Ad alcuni animali piace mordere i cavi di alimentazione.
13. Per pulire il dispositivo, utilizzare un panno morbido e asciutto. Non usare solventi o liquidi a base di benzina. Per rimuovere le macchie persistenti, è possibile utilizzare un panno umido con detergente diluito.
14. Il fornitore non è responsabile per danni o perdita di dati causati da malfunzionamento, uso improprio, modifica del dispositivo o sostituzione della batteria.
15. Non interrompere la connessione durante la formattazione del dispositivo o il trasferimento di file. In caso contrario, i dati potrebbero essere danneggiati o andare persi.

16. Se l'unità dispone della funzione di riproduzione USB, la chiavetta USB deve essere collegata direttamente all'unità. Non utilizzare una prolunga USB perché può causare interferenze con conseguenti anomalie dei dati.
17. L'etichetta di classificazione è stata contrassegnata sul pannello inferiore o posteriore del dispositivo.
18. Questo dispositivo non è destinato all'uso da parte di persone (compresi i bambini) con disabilità fisiche, sensoriali o mentali, o mancanti di esperienza e conoscenza, a meno che non siano sotto la supervisione o abbiano ricevuto istruzioni circa l'uso corretto del dispositivo da parte di chi è responsabile per la loro sicurezza.
19. Questo prodotto è destinato esclusivamente a un uso non professionale e non può essere utilizzato per scopi commerciali o industriali.
20. Assicurarsi che l'unità sia collocata in una posizione stabile. I danni causati dall'uso di questo prodotto in una posizione instabile, vibrazioni o urti o la mancata osservanza di qualsiasi altro avvertimento o precauzione indicati in questo manuale utente non saranno coperti da garanzia.
21. Non rimuovere mai la carcassa di questo dispositivo.
22. Non posizionare mai questo dispositivo su altre apparecchiature elettriche.
23. Tenere i sacchetti di plastica fuori dalla portata dei bambini.
24. Utilizzare solo collegamenti/accessori specificati dal produttore.
25. Rivolgersi a personale qualificato per l'assistenza. L'assistenza è necessaria quando il dispositivo è stato in qualche modo danneggiato, come il cavo di alimentazione o la spina, quando è stato versato del liquido o sono caduti oggetti nel dispositivo, quando il dispositivo è stato esposto a pioggia o umidità, non funziona normalmente o è stato abbandonato.
26. L'esposizione prolungata ai suoni ad alto volume dei lettori musicali può causare una perdita temporanea o permanente dell'udito.
27. Se il prodotto viene consegnato con cavo di alimentazione o adattatore di alimentazione CA:
 - In caso di problemi, scollegare la scheda di alimentazione CA e rivolgersi a personale qualificato.
 - Non calpestare o schiacciare l'alimentatore. Fare molta attenzione, in particolare vicino alle prese al punto di uscita del cavo. Non posizionare oggetti pesanti sull'alimentatore in quanto potrebbero danneggiarlo. Tenere il dispositivo fuori dalla portata dei bambini. Giocando con il cavo di alimentazione possono infortunarsi seriamente.
 - Scollegare il dispositivo durante i temporali o se non viene utilizzato per un lungo periodo.
 - La presa di corrente deve essere installata vicino all'apparecchio e deve essere facilmente accessibile.
 - Non sovraccaricare le prese CA, né le prolunghie. Il sovraccarico può causare incendi o scariche elettriche.
 - I dispositivi di classe 1 devono essere collegati a una presa di rete con connessione di messa a terra di protezione.
 - I dispositivi di struttura di classe 2 non richiedono un collegamento a terra.
 - Afferrare sempre la spina quando la si estrae dalla presa di rete. Non tirare il cavo di alimentazione. Ciò può causare un cortocircuito.
 - Non utilizzare un cavo o una spina di alimentazione danneggiati o una presa non stabile. Ciò può provocare incendi o scariche elettriche.

28. Se il prodotto contiene o viene consegnato con un telecomando contenente batterie a bottone:

Avvertenza:

- "Non ingerire la batteria, pericolo di ustioni chimiche" o equivalente.
- (Il telecomando in dotazione con) Il presente prodotto contiene una pila a bottone. Se ingerita, la batteria può causare gravi ustioni interne in sole 2 ore e portare alla morte.
- Tenere le batterie, nuove o usate, fuori dalla portata dei bambini.
- Se il vano batteria non si chiude completamente, interrompere l'uso del dispositivo e tenerlo fuori della portata dei bambini.
- Se si teme che le batterie possano essere state ingerite o essere venute a contatto con qualsiasi parte interna del corpo, contattare immediatamente un medico.

29. Precauzioni d'uso delle batterie:

- Pericolo di esplosione se la batteria viene sostituita in modo errato. Sostituire solo con batterie dello stesso tipo o equivalenti.
- Non sottoporre le batterie a temperature estreme alte o basse o a bassa pressione dell'aria ad alta quota durante l'uso, lo stoccaggio o il trasporto.
- La sostituzione con una batteria di tipo errato può provocare un'esplosione o la perdita di liquidi o gas infiammabili.
- Lo smaltimento di una batteria nel fuoco o in un forno caldo o lo schiacciamento o il taglio meccanico di una batteria possono provocare un'esplosione.
- Lasciare una batteria in un ambiente circostante a temperatura estremamente elevata può provocare un'esplosione o una perdita di liquidi o gas infiammabili.
- Una batteria soggetta a una pressione dell'aria estremamente bassa può provocare un'esplosione o una perdita di liquidi o gas infiammabili.
- È necessario prestare attenzione agli aspetti ambientali legati allo smaltimento delle batterie.

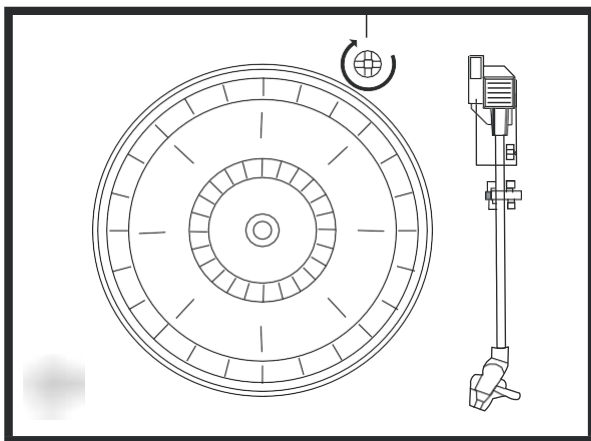
INSTALLAZIONE

- Disimballare tutte le parti e rimuovere il materiale protettivo.
- Non collegare l'unità alla rete elettrica prima di avere controllato la tensione di rete e prima che siano stati effettuati tutti gli altri collegamenti.

PREPARAZIONE PER L'USO, DISIMBALLAGGIO E CONFIGURAZIONE

- Rimuovere con attenzione l'unità dalla confezione in cartone e rimuovere tutto il materiale di imballaggio dalla stessa.
- Svolgere il cavo di alimentazione CA ed estenderlo per tutta la sua lunghezza.
- Posizionare l'unità su una superficie piana e stabile, in prossimità di una presa di corrente, al riparo dalla luce diretta del sole e lontano da fonti di calore, polvere, umidità o forti campi magnetici.
- Collegare la spina a una presa CA.
- Sollevare il coperchio per scoprire il fonografo. Il fonografo è stato fissato per la spedizione mediante una vite di blocco per il trasporto.
- Utilizzare una moneta o un cacciavite per ruotare in senso orario la vite di blocco per il trasporto. Ciò consentirà di "muovere liberamente" il giradischi.

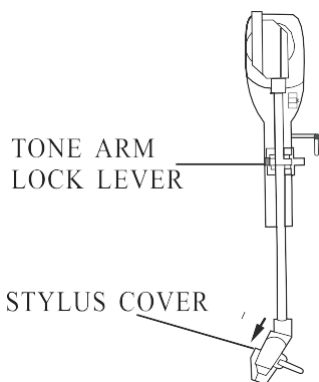
VITE DI BLOCCO PER IL TRASPORTO



- Rimuovere il cappuccio in plastica di colore bianco opaco dalla puntina del fonografo facendolo scorrere nella direzione della freccia.

Rimuovere il cappuccio della puntina.

- Rimuovere il laccetto che è stato utilizzato per fissare il braccio durante la spedizione.
- Rilasciare la levetta di blocco del braccio.
- Collegare la spina a una presa CA.



EN	IT
TONE ARM LOCK LEVER	LEVETTA DI BLOCCO DEL BRACCIO
STYLUS COVER	CAPPUCCIO DELLA PUNTINA

ALIMENTAZIONE

- Il sistema utilizza un adattatore CA.
- La presa elettrica dovrà essere sostituita da un elettricista qualificato e autorizzato.
- Per garantire il corretto funzionamento, la spina e il jack di alimentazione devono corrispondere alla perfezione.

IMPORTANTE: Sollevamento e abbassamento del coperchio

Per aprire il coperchio, sollevarlo al massimo finché la staffa di supporto del coperchio non si “blocca” in posizione di apertura.

Per chiudere il coperchio, sollevarlo leggermente verso l’alto finché la staffa di supporto del coperchio non si “sblocca”, dopodiché abbassare delicatamente il coperchio.

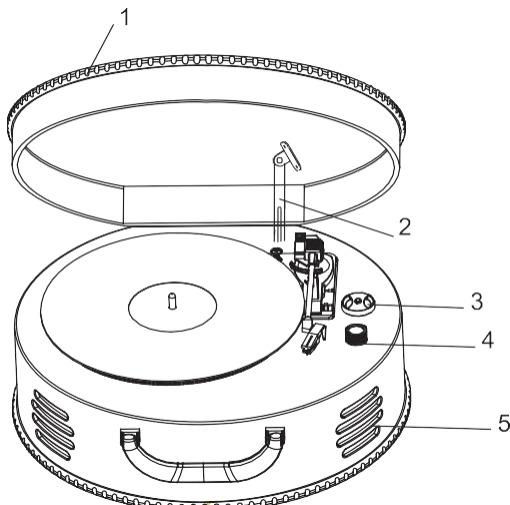
PER EVITARE DI DANNEGGIARE IL MOBILETTO O IL COPERCHIO, EVITARE IN QUALSIASI CASO DI FORZARE IL COPERCHIO

PROTEZIONE DEI MOBILI

Il presente modello è dotato di “piedini” in gomma antiscivolo per impedire al prodotto di muoversi quando si utilizzano i controlli. Tali “piedini” sono realizzati in materiale di gomma non migrante appositamente formulato per evitare di lasciare segni o macchie sui mobili. Tuttavia, alcuni tipi di lucidanti per mobili a base di olio, conservanti per il legno o spray per la pulizia potrebbero indebolire i “piedini” in gomma e lasciare segni o residui di gomma sui mobili. Per prevenire eventuali danni ai propri mobili si consiglia vivamente di acquistare piccoli feltrini autoadesivi, disponibili nei negozi di ferramenta e nei centri di bricolage, e di applicare tali feltrini nella parte inferiore dei “piedini” in gomma prima di posizionare il prodotto sui mobili in legno pregiato.

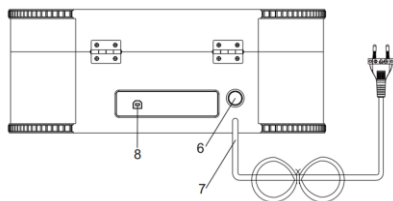
POSIZIONE DEI CONTROLLI E DEGLI INDICATORI

PANNELLO ANTERIORE



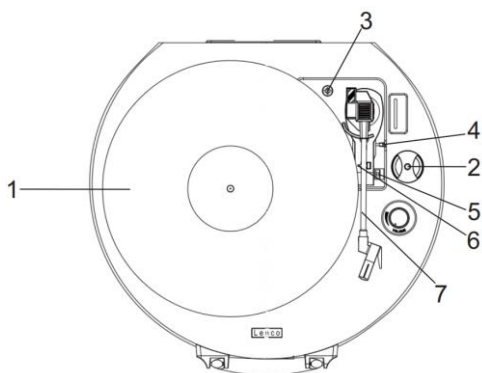
- 1) COPERCHIO DEL FONOGRAFO
- 2) STAFFA DI SUPPORTO DEL COPERCHIO DEL FONOGRAFO
- 3) ADATTATORE 45 GIRI
- 4) CONTROLLO DEL VOLUME
- 5) ALTOPARLANTI

PANNELLO POSTERIORE



- 6) PULSANTE ACCENSIONE/SPEGNIMENTO
- 7) CAVO DI ALIMENTAZIONE CA
- 8) PRESA USB

FONOGRAFO



- 1) Giradischi
- 2) Adattatore 45 giri
- 3) Vite di blocco per il trasporto
- 4) Levetta del braccio
- 5) Selettore di velocità (33-45-78 giri)
- 6) Blocco braccio
- 7) Braccio con puntina

RIPRODUZIONE DISCHI

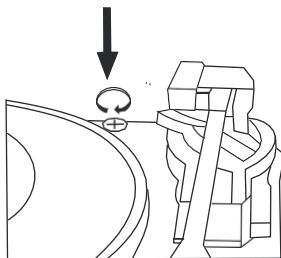
Il sistema comprende un giradischi completo, a 3 velocità con trasmissione a cinghia. È possibile riprodurre dischi a 33, 45 e 78 giri.

- 1) Premere il pulsante di alimentazione per accendere l'unità.
- 2) Assicurarsi di aver rimosso il cappuccio della puntina e di aver rilasciato il blocco del braccio utilizzato per fissarlo nell'apposito supporto.
- 3) Impostare il selettore di velocità del giradischi sulla velocità appropriata, 33, 45 o 78 giri. In caso di riproduzione di singoli a 45 giri, posizionare l'adattatore da 45 giri sul perno centrale.
- 4) Posizionare il disco sul perno centrale.
- 5) Sollevare la levetta del braccio per sollevarlo dal supporto. Spostare il braccio sul bordo del disco. Il giradischi verrà avviato automaticamente. Utilizzare la levetta del braccio per abbassarlo delicatamente sul disco.
- 6) Quando il braccio raggiunge la fine del disco, ritorna automaticamente sul supporto e il giradischi si ferma.
- 7) Per spegnere il sistema "Off", premere e tenere premuto il pulsante di alimentazione per 2 secondi.

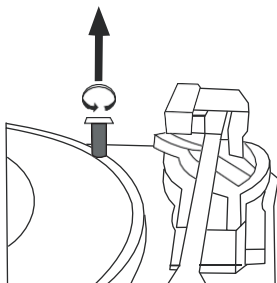
NOTA: Evitare di girare o fermare il giradischi manualmente, in quanto lo spostamento o l'urto del giradischi senza aver fissato il fermo del braccio potrebbe danneggiare quest'ultimo.

IMPORTANTE

- PER PROTEGGERE IL GIRADISCHI DA DANNI DURANTE IL TRASPORTO, NELLA PARTE SUPERIORE DESTRA DELLA PIATTAFORMA DEL GIRADISCHI È PRESENTE UNA VITE ARGENTATA.
- PRIMA DELLA RIPRODUZIONE, UTILIZZARE UN CACCIAVITE PER RUOTARE COMPLETAMENTE LA VITE DI TRASPORTO IN SENSO ORARIO (FACENDOLA SCENDERE) PER SBLOCCARE IL GIRADISCHI.



- PER BLOCCARE NUOVAMENTE IL GIRADISCHI PER IL TRASPORTO, RUOTARE LA VITE IN SENSO ANTIORARIO.



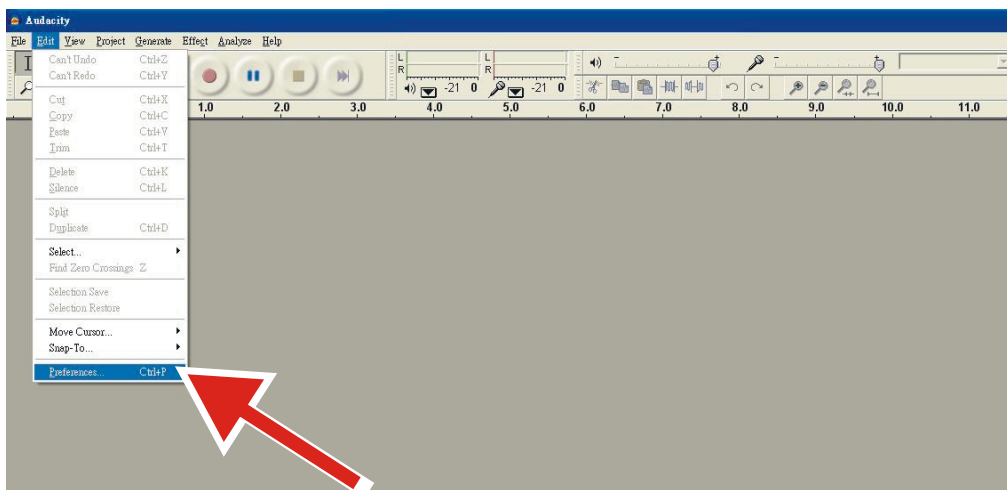
PANORAMICA SUL SOFTWARE AUDACITY

Audacity è un software gratuito, concesso in licenza con GNU General Public License (GPL). Ulteriori informazioni e codice open source sono disponibili sul Web all'indirizzo <https://www.audacityteam.org/download/>

* **Assicurarsi di aver installato il software prima di iniziare.**

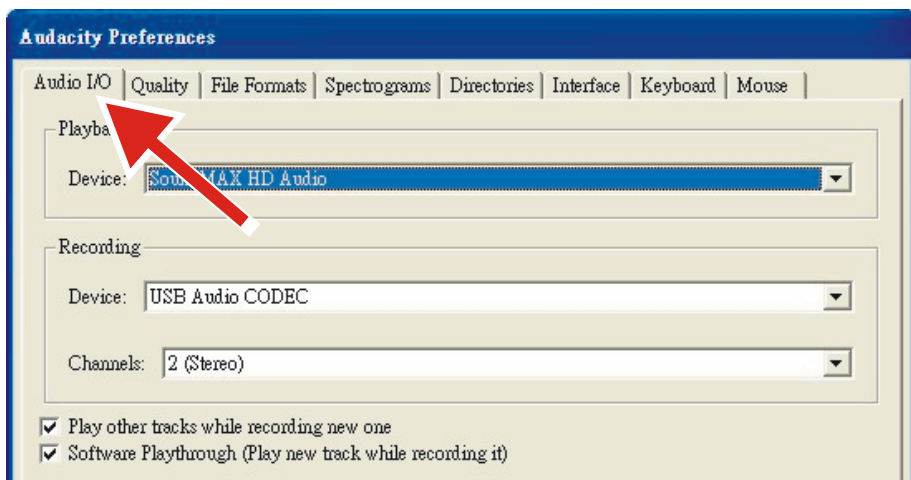
Configurare il PC per il funzionamento con Audacity

1. Collegare una sorgente di ingresso all'unità.
2. Collegare il filo USB al proprio computer.
3. Installare il software di registrazione Audacity.
4. Aprire il programma Audacity.
5. Selezionare Preferenza dalla scheda Modifica nel menu Audacity.



6. Selezionare la scheda **Audio I/O** in alto a sinistra.

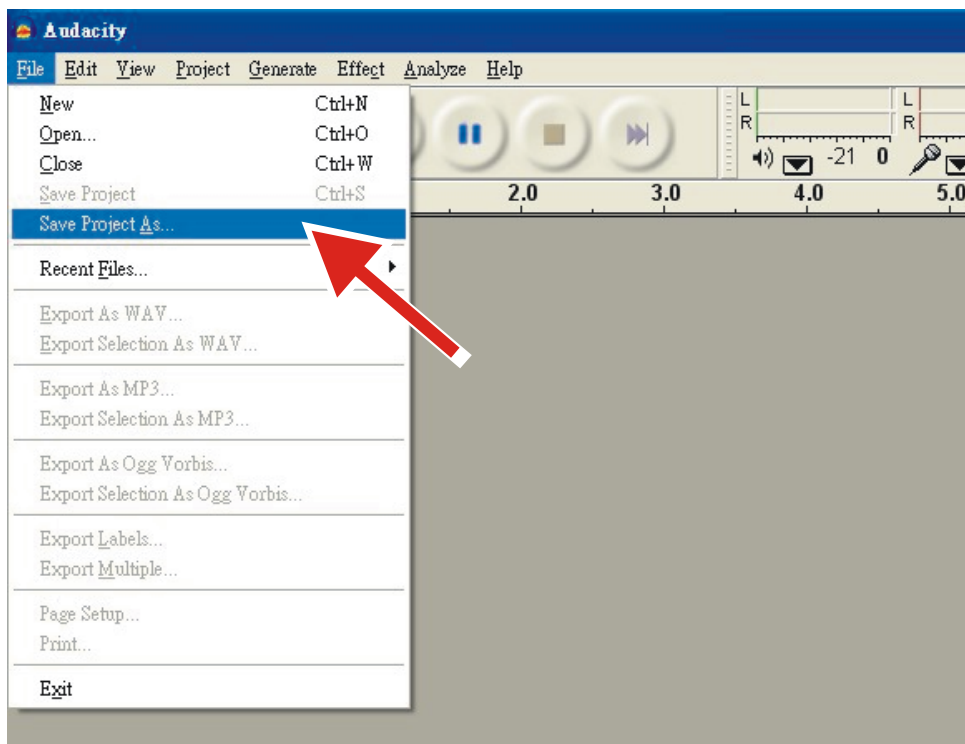
- In Riproduzione, Dispositivo, selezionare **your internal sound card (la propria scheda audio interna)**.
- In Registrazione, Dispositivo, selezionare **USB Audio CODEC**.
- In Registrazione, Canali, selezionare **2 (Stereo)**.
- Spuntare la casella contrassegnata con **Play other tracks while recording new one (Riproduci altre tracce mentre ne si registra una)**.
- Spuntare la casella contrassegnata con **Software Playthrough (Video esplicativo del software)**.






Registrazione di album con Audacity

1. Salvataggio di un progetto

- Audacity scrive tutti gli audio modificati e registrati in una directory chiamata **Projectname_data**, che si trova proprio dove si è salvato il file del progetto stesso.
- Quindi, selezionare **Save Project as (Salva progetto come)** dalla scheda File Audacity e scegliere una posizione e nome del file per il progetto.
- Si noti che quando si avvia Audacity, solo l'opzione del menu "**Save As...**" ("Salva come...") è disponibile.



2. Come registrare

- Impostare il giradischi USB per riprodurre il brano o l'album che si desidera registrare.
- Fare clic sul pulsante Registra  per avviare la registrazione.
- Abbassare il braccio sul giradischi USB sul disco e la traccia che si desidera registrare.
- Fare clic sul pulsante Pausa  blu per mettere in pausa la registrazione. Premere per continuare.
- Fare clic sul pulsante Stop giallo. 

Ecco fatto. Ora è possibile muoversi nella registrazione ed esplorare le capacità di editing di Audacity. Ricordarsi che è possibile usare la funzione Annulla quasi senza limiti mentre il progetto è aperto.

NOTA: I CD non possono essere masterizzati direttamente dall'applicazione Audacity. Devono essere usate altre applicazioni per la masterizzazione di CD.

1. Garanzia

Commaxx B.V. offre assistenza e garanzia in conformità con la legge europea, il che significa che in caso di riparazioni (sia durante che dopo il periodo di garanzia) è necessario contattare il rivenditore locale.

Nota importante: Non è possibile inviare direttamente a Commaxx B.V. i prodotti da riparare.

Nota importante: Qualora l'unità venga aperta o manomessa in qualsiasi modo da un centro di assistenza non riconosciuto, la garanzia decadrà.

Questo dispositivo non è adatto per l'uso professionale. Qualora l'unità venga utilizzata per scopi professionali, tutti gli obblighi del produttore derivanti dalla garanzia saranno annullati.

2. Clausola di esclusione di responsabilità

Il firmware e/o i componenti hardware vengono aggiornati regolarmente. Pertanto, è possibile che alcune parti relative a istruzioni, specifiche e immagini contenute nella presente documentazione siano diverse da quanto riscontrato nel singolo caso. Tutte le descrizioni incluse in questa guida sono fornite a puro titolo illustrativo e non si applicano necessariamente alla specifica situazione. Nessun diritto legale o contrattuale può derivare dalle descrizioni contenute nel presente libretto di istruzioni.

3. Smaltimento al termine della vita utile del dispositivo



Questo simbolo indica che in Europa è vietato gettare il relativo prodotto elettrico o la batteria tra i rifiuti domestici. Per il corretto smaltimento al termine della vita utile del prodotto e della batteria, attenersi alle normative locali vigenti in materia di trattamento dei rifiuti da apparecchiature elettriche ed elettroniche e delle batterie. In tal modo si contribuisce a salvaguardare le risorse naturali e a migliorare gli standard per la protezione dell'ambiente nell'ambito del trattamento dei rifiuti da apparecchiature elettriche ed elettroniche (Direttiva RAEE).

4. Marchio CE

Con la presente, Commaxx B.V. Wiebachstraat 37, 6466 NG Kerkrade, Paesi Bassi, dichiara che questo prodotto è conforme ai requisiti essenziali della Direttiva Europea applicabile.

La dichiarazione di conformità può essere richiesta inviando una e-mail a techdoc@commaxxgroup.com



5. Assistenza

Per ulteriori informazioni e accesso all'helpdesk, visitare il sito www.lenco.com

Commaxx B.V. Wiebachstraat 37, 6466 NG Kerkrade, The Netherlands.

FORSIGTIG:

Hvis enheden ikke anvendes, justeres og behandles i overensstemmelse med brugervejledningen, kan det resultere i farlig stråling.

FORHOLDSREGLER FØR IBRUGTAGNING

HUSK DISSE ANVISNINGER:

1. Tildæk eller blokér ikke ventilationsåbningerne. Hvis enheden placeres på en hylde, skal der altid være 5 cm (2") frirum på alle sider af enheden.
2. Installér enheden iht. anvisningerne i den medfølgende brugervejledning.
3. Hold enheden på afstand af varmekilder som fx radiatorer, varmeapparater, ovne, stearinlys og andre varmegenererende produkter samt åben ild. Enheden er udelukkende til brug i tempererede klimazoner. Undgå stærk varme og kulde. Driftstemperatur mellem 0° og 35°C.
4. Undlad at anvende enheden nær stærke magnetfelter.
5. Elektrostatisk udladning kan forstyrre denne enheds normale drift. Sker det, skal du blot nulstille og genstarte enheden i henhold til anvisningerne i brugervejledningen. Under filoverførsel skal du handle med omhu og betjene enheden i et område fri for statisk elektricitet.
6. Advarsel! Stik aldrig genstande ind i enheden gennem ventilationsåbninger eller sprækker. Produktet indeholder strømførende dele, og hvis du stikker en genstand ind i enheden, kan det medføre elektrisk stød og/eller kortslutning af de indre dele. Af samme grund må du ikke spilde vand eller væske på produktet.
7. Benyt ikke enheden på våde eller fugtige steder som fx på et badeværelse, i et dampfyldt køkken eller nær en swimmingpool.
8. Enheden må ikke udsættes for dryp eller stænk. Der må ikke anbringes genstande fyldt med væske, som fx vaser, på eller i nærheden af apparatet.
9. Brug ikke enheden på steder, hvor der kan opstå kondens. Hvis enheden placeres i et varmt og fugtigt rum, kan der danne sig vanddråber eller kondens inde i den, og den kan muligvis ikke fungere korrekt. Lad enheden stå slukket i 1 - 2 timer, inden du tænder den. Enheden skal være tør, når der tændes for strømmen.
10. Trods det, at enheden er fremstillet med yderste omhu og kontrolleret flere gange før afsendelse fra fabrikken, kan det stadig forekomme, som med alle elektriske apparater, at der opstår problemer. Hvis du oplever røg eller overdreven varmeudvikling eller andre uventede fænomener, bør du omgående tage stikket ud af stikkontakten.
11. Denne enhed skal drives af en strømkilde som den, der er angivet på mærkepladen. Hvis du ikke er sikker på, hvilken forsyningsspænding, der anvendes i dit hjem, bør du søge vejledning hos din forhandler eller det lokale elselskab.
12. Hold enheden udenfor dyrs rækkevidde. Nogle kæledyr kan finde på at bide i strømkabler.
13. Rengør enheden med en blød, tør klud. Brug ikke opløsningsmidler eller benzinbaserede væsker. Hårnakkede pletter kan fjernes med en let fugtet klud med en mild sæbeopløsning.
14. Producenten er ikke ansvarlig for skade eller mistede data, der skyldes fejlfunktion, misbrug, ændringer af enheden eller udskiftning af batterier.
15. Undlad at afbryde forbindelsen, mens enheden formateres, eller der overføres filer. I modsat fald kan data blive beskadiget eller gå tabt.

16. Hvis enheden er udstyret med funktion til USB-afspilning, skal USB-sticken sættes direkte i apparatet. Brug ikke et USB-forlænger-kabel, da et sådant kan skabe interferens og føre til tab af data.
17. Mærkepladen findes i bunden eller på bagsiden af enheden.
18. Denne enhed må ikke bruges af personer (inkl. børn) med nedsatte fysiske motoriske eller mentale evner eller manglende erfaring, medmindre de er blevet instrueret i brugen af en person, der er ansvarlig for deres sikkerhed, og er under dennes opsyn.
19. Produktet er udelukkende beregnet til ikke-professionel brug, ikke til kommerciel eller industriel anvendelse.
20. Sørg for, at enheden er placeret stabilt. Skade, der skyldes anvendelse af produktet i en ustabil position, vibrationer, stød eller manglende overholdelse af de retningslinjer og andre advarsler, der er udstukket i denne brugervejledning, dækkes ikke af garantien.
21. Åbn aldrig enhedens kabinet.
22. Placér aldrig denne enhed ovenpå andet elektrisk udstyr.
23. Lad ikke børn få adgang til plastposer.
24. Brug kun tilslutninger/tilbehør, der er angivet af producenten.
25. Overlad alt servicearbejde til et kvalificeret serviceværksted. Service er påkrævet, hvis enheden på nogen måde er blevet beskadiget, hvis fx strømkablet eller stikket er beskadiget, hvis der er spildt væske på enheden, eller hvis en genstand er faldet ned i den, hvis enheden har været udsat for regn eller fugt, ikke fungerer korrekt eller er blevet tabt.
26. Langvarig lytning til musik ved høj lydstyrke kan medføre midlertidigt eller permanent høretab.
27. Hvis produktet leveres med strømkabel eller strømforsyning til vekselstrøm:
 - Hvis der opstår problemer, skal du tage stikket ud af kontakten og overlade al service til kvalificeret tekniker.
 - Undlad at træde på eller klemme strømforsyningen. Vær forsigtig, især nær de steder, hvor stik og kabler er fastgjort. Undlad at placere tunge genstande på strømforsyningen, da dette vil kunne beskadige den. Hold hele enheden udenfor børns rækkevidde! Hvis børn leger med strømkabler, kan de komme slemt til skade.
 - Tag stikket ud af stikkontakten i tordenvejr, samt hvis du ikke skal bruge enheden i længere tid.
 - Enheden skal placeres nær stikkontakten, og der skal altid være let adgang til den stikkontakt, enheden er tilsluttet.
 - Undlad at overbelaste stikkontakter eller forlængerledninger. Overbelastning kan medføre brand eller elektrisk stød.
 - Enheder med klasse 1-opbygning bør forbindes til en stikkontakt med jord.
 - Enheder med klasse 2-opbygning kræver ikke jordforbindelse.
 - Hold altid i stikket, når du tager det ud af stikkontakten. Træk ikke i strømkablet. Dette kan medføre kortslutning.
 - Brug ikke en beskadiget ledning eller stik eller en løs stikkontakt. Gør du det, kan det medføre brand eller elektrisk stød.
28. Hvis produktet indeholder eller leveres med en fjernbetjening indeholdende knapcellebatterier:
Advarsel:
 - "Slug ikke batteriet, der er risiko for kemisk forbrænding" eller tilsvarende.
 - [Fjernbetjeningen leveret med] dette produkt indeholder et knapcellebatteri. Hvis batteriet sluges, kan det medføre alvorlige indre forbrændinger på blot 2 timer, hvilket kan medføre dødsfald.
 - Hold nye og brugte batterier udenfor børns rækkevidde.

- Hvis batterirummet ikke kan lukkes sikkert, skal du holde op med at bruge produktet og holde det udenfor børns rækkevidde.
- Hvis du tror, et batteri kan være blevet slugt eller placeret inden i nogen del af kroppen, skal du omgående søge lægehjælp.

29. OBS ved brug af batterier:

- Eksplosionsfare, hvis batteriet udskiftes med et andet af forkert type. Udskift udelukkende med samme eller tilsvarende type.
- Batteriet må ikke udsættes for ekstremt høje eller lave temperaturer eller lavt lufttryk ved stor højde under brug, opbevaring eller transport.
- Udskiftning af et batteri med et andet af forkert type kan medføre eksplosion eller lækage af brændbar væske eller gas.
- Bortskaffelse af batterier ved afbrænding eller i en varm ovn eller ved mekanisk knusning eller opskæring af et batteri kan medføre en eksplosion.
- Hvis et batteri efterlades i omgivelser med ekstremt høje temperaturer, kan det medføre eksplosion eller lækage af brændbar væske eller gas.
- Hvis et batteri udsættes for ekstremt lavt lufttryk, kan det medføre eksplosion eller lækage af brændbar væske eller gas.
- Tænk på miljøet ved bortskaffelse af brugte batterier.

INSTALLATION

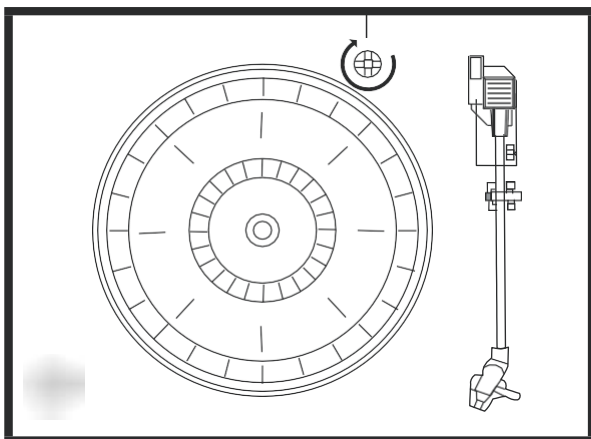
- Udpak alle dele, og fjern beskyttelsesmaterialerne.
- Slut ikke enheden til lysnettet, før du har kontrolleret forsyningsspændingen og foretaget alle nødvendige tilslutninger.

KLARGØRING

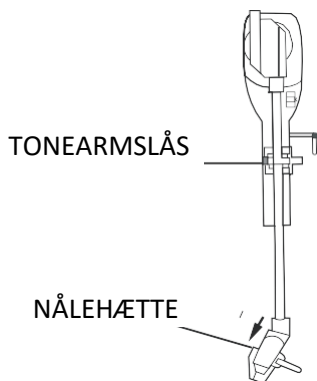
UDPAKNING OG OPSÆTNING

- Løft forsigtigt enheden ud af kassen, og fjern alle indpakningsmaterialer fra den.
- Rul netledningen ud, og stræk den ud til fuld længde.
- Placer enheden på en stabil, plan overflade, tæt på en stikkontakt, uden direkte sollys og væk fra kilder til overskydende varme, støv, fugt, fugtighed eller stærke magnetfelter.
- Sæt stikket i din stikkontakt.
- Løft låget for at vise fonografen. Fonografen er blevet sikret til forsendelse med en transportskrue.
- Brug en mønt eller en skruetrækker til at dreje transportskruen med uret. Dette vil gøre det muligt for pladespilleren at "flyde".

TRANSPORTSKRUE



- Fjern den halvgennemsigtige nålehætte ved at skubbe den i pilens retning.
Kassér nålehætten.
- Fjern den twist-strimmel, der holdt tonearmen fast under transporten.
- Åbn tonearmslåsen.
- Sæt stikket i din stikkontakt.



STRØMKILDE

- Dette system bruger en AC-adapter.
- Du bør få din stikkontakt udskiftet af en kvalificeret autoriseret elektriker.
- For at få enheden til at køre korrekt, skal netstikket og strømstikket passe sammen.

VIGTIGT: Hævning og sænkning af låget

For at åbne låget skal det løftes så langt som muligt, indtil lågets støttebeslag "låses" i den åbne position.

For at lukke låget skal du løfte det lidt op, indtil lågets støttebeslag "låser op", og derefter sænke låget forsigtigt.

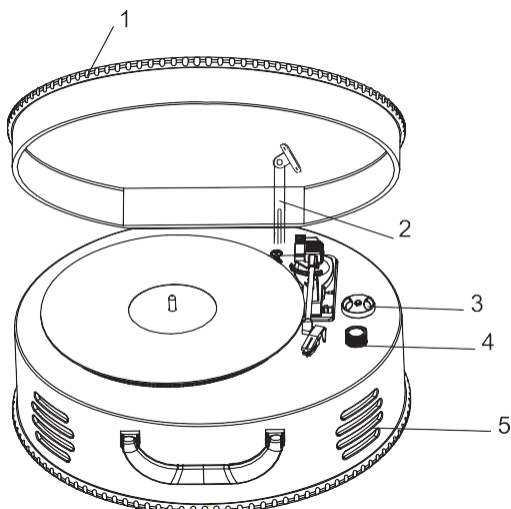
UNDGÅ AT BESKADIGE KABINETTET ELLER LÅGET VED ALDRIG AT TVINGE LÅGET NED

BESKYT DINE MØBLER

Denne model er udstyret med skridsikre "fødder" af gummi for at forhindre, at produktet bevæger sig, når du bruger betjeningselementerne. Disse "fødder" er lavet af ikke-migrerende gummimateriale, der er specielt formuleret til at undgå at efterlade mærker eller pletter på dine møbler. Visse typer oliebaseret møbelpolish, træbeskyttelsesmidler eller rengøringspray kan dog få gummifødderne til at blødgøre og efterlade mærker eller gummirester på møblet. For at undgå skader på dine møbler anbefaler vi på det kraftigste, at du køber små selvklæbende filt puder, som fås hos isenkræmmere og byggemarkeder, og sætter disse puder på bunden af gummifødderne, før du stiller produktet på fine træmøbler.

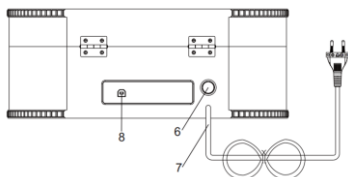
KNAPPER, KONTROLLER OG INDIKATORER

FRONTPANEL



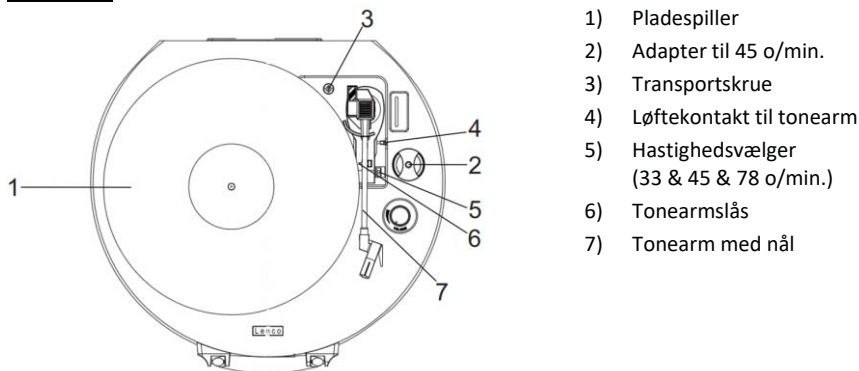
- 1) FONOGRAFENS LÅG
- 2) STØTTEBESLAG TIL FONOGRAFENS LÅG
- 3) ADAPTER TIL 45 O/MIN.
- 4) LYDSTYRKEKONTROL
- 5) HØJTALERE

BAGPANEL



- 6) TÆND/SLUK-KNAP
- 7) AC STRØMKABEL
- 8) USB-STIK

FONOGRAF



- 1) Pladespiller
- 2) Adapter til 45 o/min.
- 3) Transportskrue
- 4) Løftekontakt til tonearm
- 5) Hastighedsvælger (33 & 45 & 78 o/min.)
- 6) Tonearmslås
- 7) Tonearm med nål

AFSPILNING AF PLADER

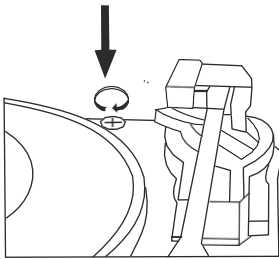
Systemet indeholder en remdrevet pladespiller i fuld størrelse med 3 hastigheder. Du kan afspille plader ved 33, 45 og 78 o/min.

- 1) Tryk på knappen POWER for at tænde enheden.
- 2) Kontrollér, at du har fjernet nålehætten fra nålen og åbnet tonearmslåsen, der holder tonearmen fast mod tonearmholderen.
- 3) Indstil hastigheden med hastighedsvælgeren til den ønskede hastighed, 33, 45 eller 78 o/min. Hvis du vil afspille singleplader ved 45 o/min., skal du lægge 45 o/min. singleadapteren på spindlen.
- 4) Placér din plade på pladetallerkenen.
- 5) Løft LØFTEKONTAKTEN TIL TONEARMEN for at hæve tonearmen fra lejet. Flyt tonearmen til udkanten af pladen. Pladetallerkenen begynder automatisk at dreje. Brug LØFTEKONTAKTEN TIL TONEARMEN til blidt at sænke tonearmen ned på pladen.
- 6) Når tonearmen når enden af pladen, vender den automatisk tilbage til tonearmsstøtten, og pladespilleren stopper.
- 7) For at slukke for systemet skal du trykke på POWER-knappen og holde den nede i 2 sekunder.

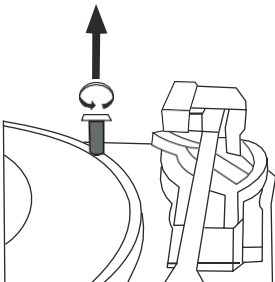
BEMÆRK: Du må ikke dreje eller stoppe pladespilleren manuelt. Hvis du flytter eller ryster pladespilleren uden at sikre tonearmens klemme, kan det resultere i beskadigelse af tonearmen.

VIGTIGT

- FOR AT BESKYTTE PLADESPILLEREN MOD SKADER UNDER TRANSPORT, ER DER PLACERET EN SØLVFARVET TRANSPORTSKRUE ØVERST TIL HØJRE PÅ PLADESPILLERENS PLATFORM.
- FØR DU AFSPILLER PLADER, SKAL DU BRUGE EN SKRUETRÆKKER TIL AT DREJE TRANSPORTSKRUE I URETS RETNING (SKRUE GÅR NEDAD) FOR AT LÅSE PLADESPILLEREN HELT OP.



- FOR AT LÅSE PLADESPILLEREN IGEN TIL TRANSPORT, SKAL DU DREJE SKRUE MOD URET.



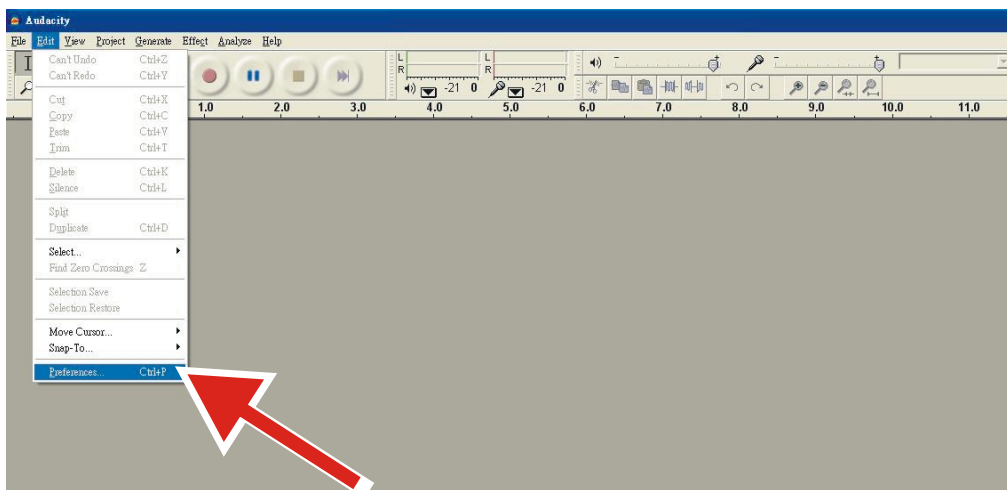
BESKRIVELSE AF SOFTWAREN AUDACITY

Audacity er en gratis software med en licens under GNU General Public License (GPL). Yderligere information og kode til open source findes på internettet på <https://www.audacityteam.org/download/>

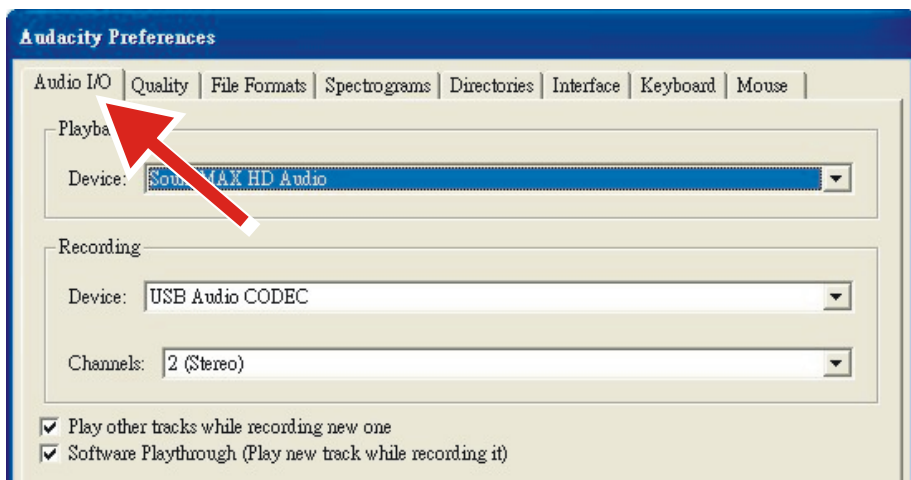
* **Sørg for at installere softwaren, inden du starter.**

Opsætning af din PC til at køre med Audacity

1. Slut en indgangskilde til enheden.
2. Slut USB-kablet til din computer.
3. Installér Audacity optagesoftware.
4. Åbn programmet Audacity.
5. Vælg Preference (Præferencer) på fanen Edit (Redigér) i Audacity-menuen.



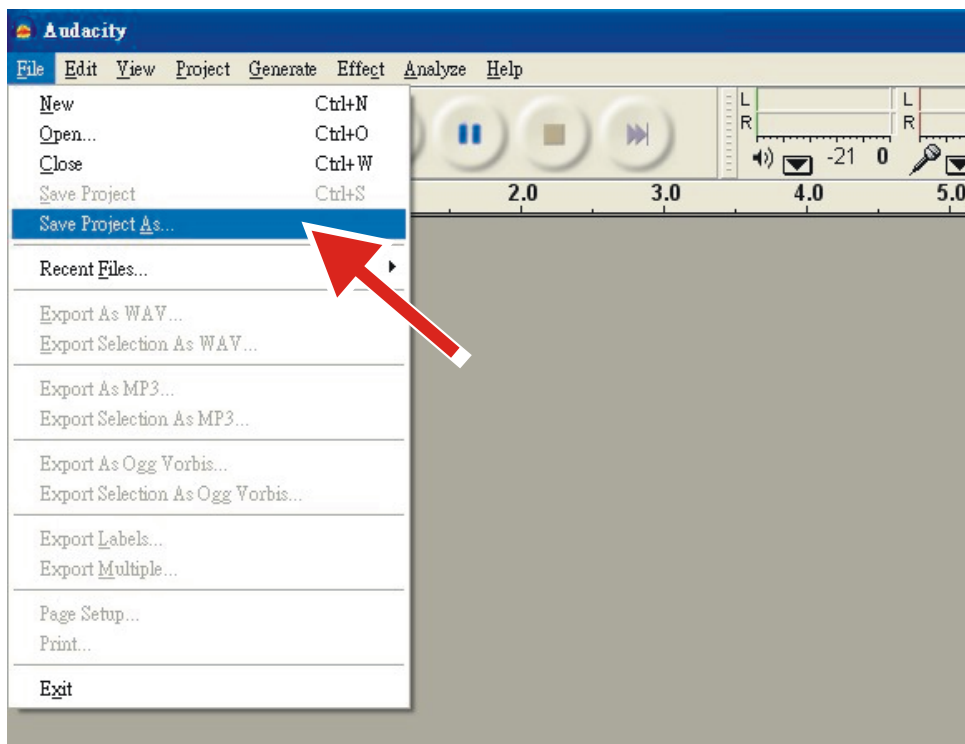
6. Vælg fanen **Audio I/O** (lyd ind/ud) øverst til venstre.
 - Vælg **your internal sound card** (dit indbyggede lyd kort) i Playback, Device (Afspilning, Enhed).
 - Under Recording, Device (Optagelse, Enhed) skal du vælge **USB Audio CODEC** (USB lyd-CODEC).
 - Under Recording, Channels (Optagelse, Kanaler) skal du vælge **2 (Stereo)**.
 - Markér boksen **Play other tracks while recording new one** (Afspil andre spor, mens et nyt optages).
 - Markér boksen **Software Playthrough** (Software-gennemspilning).






Optagelse af albums med Audacity

1. Sådan gemmes et projekt

- Audacity gemmer al ændret og optaget lyd i en mappe med navnet **Projectname_data**, der er placeret der, hvor du gemte selve projektet.
- Du skal derfor vælge **Save Project as** (gem projekt som) i fanen File (fil) i Audacity og vælge placering og filnavn til dit projekt.
- Bemærk, at når du starter Audacity igen, vises kun menupunktet **“Save As...”** (gem som).



2. Sådan optager du

- Gør din USB-pladespiller klar til at afspille den skæring eller det album, du vil optage.
- Klik på den røde optageknop  for at starte optagelsen.
- Sænk tonearmen ned på USB-pladespilleren ved det album og den skæring, du vil optage.
- Klik på den blå pauseknop  for at sætte optagelsen på pause. Klik igen på knappen for at fortsætte.
- Klik på den gule stopknop. 

Det var det. Du kan nu lege med dine optagelser og udforske Audacitys redigeringsfunktioner. Husk, at du kan bruge fortrydelsesfunktionen Undo næsten ubegrænset, så længe projektet er åbent.

BEMÆRK: CD'er kan ikke brændes direkte i Audacity. Dertil skal du bruge et andet CD-brænderprogram.

1. Garanti

Commaxx B.V. tilbyder service og garanti i overensstemmelse med europæisk lovgivning, hvilket betyder, at i tilfælde af reparation (både under og efter garantiperiodens udløb) bør du kontakte din lokale forhandler.

Vigtig meddelelse: Det er ikke muligt at sende produktet direkte til Commaxx B.V., hvis det kræver reparation.

Vigtig meddelelse: Hvis enheden åbnes eller på nogen måde tilgås af et ikke-godkendt servicecenter, bortfalder garantien.

Denne enhed er ikke egnet til professionel brug. I tilfælde af professionel brug bortfalder alle garantiforpligtelser fra producentens side.

2. Ansvarsfraskrivelse

Firmware og/eller hardwarekomponenter opdateres regelmæssigt. Derfor kan visse dele af vejledningen, specifikationerne og illustrationerne i vejledningen variere en smule fra dit faktiske produkt. Alle elementer, der beskrives i denne vejledning, er kun til illustration og gælder måske ikke i den givne situation. Ingen juridisk ret eller rettighed kan opnås fra beskrivelsen i denne vejledning.

3. Bortskaffelse af udtjente enheder



Symbolet angiver, at det relevante elektriske produkt eller batteri inden for Europa ikke må bortskaffes som almindeligt husholdningsaffald. For at sikre korrekt affaldsbehandling af produktet og batteriet skal du bortskaffe dem i overensstemmelse med gældende lokal lovgivning om bortskaffelse af elektrisk udstyr eller batterier. På den måde hjælper du med at bevare naturressourcer og forbedre miljøbeskyttelsen indenfor behandling og bortskaffelse af elektrisk affald (Direktiv om affald af elektrisk og elektronisk udstyr).

4. CE-mærke

Commaxx B.V., Wiebachstraat 37, 6466 NG Kerkrade, The Netherlands, erklærer hermed, at dette produkt er i overensstemmelse med de væsentlige krav i EU-direktivet.

Konformitetserklæringen kan fås via techdoc@commaxxgroup.com



5. Service

Gå ind på www.lenco.com for yderligere oplysninger og support fra vores helpdesk

Commaxx B.V. Wiebachstraat 37, 6466 NG Kerkrade, The Netherlands.

FÖRSIKTIGHET:

Användning av kontroller eller utförande av metoder som inte beskrivits häri kan leda till exponering för farlig strålning.

FÖRSIKTIGHETSÅTGÄRDER FÖRE ANVÄNDNING**IAKTTA DESSA ANVISNINGAR:**

1. Täck inte över eller blockera några ventilationsöppningar. När enheten placeras på en hylla bör det lämnas 5 cm (2 tum) ledigt utrymme runt hela enheten.
2. Montera i enlighet med den medföljande bruksanvisningen.
3. Håll enheten borta från värmekällor såsom radiatorer, värmare, spisar, ljus och andra värmegenererande produkter eller öppen eld. Enheten kan endast användas i måttliga klimat. Extremt kalla eller varma omgivningar bör undvikas. Drifttemperatur mellan 0 och 35 °C.
4. Undvik att använda enheten nära starka magnetfält.
5. Elektrostatisk urladdning kan störa den normala användningen av den här enheten. Återställ och starta om enheten enligt instruktionsboken om så är fallet. Hantera försiktigt och använd i en statiskt fri miljö vid filöverföring.
6. Varning! För aldrig in ett föremål i produkten genom ventilerna eller öppningarna. Hög spänning flödar genom produkten och om du för in ett föremål kan det orsaka elektriska stötar och/eller kortslutning av interna komponenter. Spill inte vatten eller vätska på produkten av samma anledning.
7. Använd inte i våta eller fuktiga områden såsom badrum, ångfyllda kök eller i närheten av simbassänger.
8. Enheten får inte utsättas för dropp eller stänk och se till att inga föremål fyllda med vätskor såsom vaser placeras på eller i närheten av den.
9. Använd inte den här enheten när kondens kan uppstå. När enheten används i ett varmt och fuktigt rum kan vattendroppar eller kondens uppstå inuti enheten och enheten kanske inte fungerar som den ska. Låt enheten vara avstängd i en eller två timmar innan du slår på strömmen igen. Enheten ska vara torr innan strömmen slås på.
10. Även om denna enhet tillverkas med största omsorg och kontrolleras flera gånger innan den lämnar fabriken är det fortfarande möjligt att problem kan uppstå vilket gäller alla elektriska apparater. Om du märker rök, kraftig uppbyggnad av värme eller andra oväntade fenomen ska du omedelbart dra ur kontakten ur eluttaget.
11. Enheten måste drivas med en strömkälla såsom anges på de särskilda märkningskraven. Kontakta din återförsäljare eller lokala elbolag om du är osäker på vilken typ av strömförsörjning som används i ditt hem.
12. Håll på säkert avstånd från husdjur. Vissa djur kan bita på elkablar.
13. Använd en mjuk och torr trasa för att rengöra enheten. Använd inte lösningsmedel eller bensenbaserade vätskor.
För att ta bort allvarliga fläckar kan du använda en fuktig trasa med utspätt rengöringsmedel.
14. Leverantören ansvarar inte för skador eller förlorade data orsakade av fel, missbruk, modifiering av enheten eller batteribyte.
15. Avbryt inte anslutningen när enheten formaterar eller överför filer. Data kan då bli skadade eller förloras.
16. Om enheten har en funktion med USB-uppspelning bör USB-minnet anslutas direkt till enheten. Använd inte en USB-förlängningskabel eftersom den kan orsaka störningar som kan leda till att data förloras.
17. Klassificeringsetiketten är placerad på enhetens undersida eller baksida.

18. Den här enheten är inte avsedd för att användas av personer (inklusive barn) med fysiska, sensoriska eller psykiska funktionshinder eller brist på erfarenhet och kunskap såvida de inte är under övervakning av eller har fått instruktioner om korrekt användning av enheten av den person som ansvarar för deras säkerhet.
19. Den här produkten är endast avsedd för icke-professionell användning och inte för kommersiellt eller industriellt bruk.
20. Se till att enheten är justerad till en stabil position. Skador orsakade av att använda den här produkten i ett instabilt läge med vibrationer eller stötar eller av att inte följa någon annan varning eller försiktighetsåtgärd i denna bruksanvisningar täcks inte av garantin.
21. Ta aldrig bort enhetens hölje.
22. Placera aldrig enheten på annan elektrisk utrustning.
23. Låt inte barn ha tillgång till plastpåsar.
24. Använd endast tillbehör som anges av tillverkaren.
25. Överlåt all service till kvalificerad servicepersonal. Service krävs när enheten har skadats på något sätt, exempelvis på strömkabeln eller strömkontakten, när vätska har spillts eller föremål fallit in i den, när den har utsatts för regn eller fukt och inte fungerar normalt eller har tappats.
26. Lång exponering för höga ljud från musikspelare kan leda till tillfällig eller permanent hörselnedsättning.
27. Om produkten levereras med strömkabel eller nätadapter:
 - Dra ur strömkabeln och kontakta behörig personal för service om ett problem uppstår.
 - Undvik att trampa på nätadaptern och låt den inte hamna i kläm. Var mycket försiktig och då särskilt i närheten av kontakter och kabelns uttag. Tunga föremål får inte placeras på nätadaptern då detta kan medföra att den skadas. Håll hela enheten utom räckhåll för barn! Om de leker med strömkabeln kan det orsaka allvarliga skador.
 - Koppla ur enheten vid åskväder eller om den inte används under en längre tidsperiod.
 - Eluttaget måste vara placerat nära utrustningen och vara lättillgängligt.
 - Eluttaget och förlängningskablar får inte överbelastas. Överbelastning kan orsaka brand eller medföra elektriska stötar.
 - Enheter med klass 1-konstruktion ska anslutas till ett jordat eluttag.
 - Enheter med klass 2-konstruktion kräver ingen jordad anslutning.
 - Håll alltid i kontakten när du drar ut den ur vägguttaget. Dra inte i strömkabeln. Detta kan orsaka en kortslutning.
 - En skadad strömkabel, kontakt eller ett löst eluttag får inte användas. Om detta inte iakttas kan det orsaka brand eller medföra elektriska stötar.
28. Om produkten innehåller eller levereras med en fjärrkontroll som innehåller mynt/cellbatterier:

Varning:

 - "Batterierna får inte förtäras, risk för kemiska brännskador!" eller liknande märkning.
 - [Den medföljande fjärrkontrollen] Denna produkt innehåller ett knappcells batteri. Om batteriet sväljs kan det orsaka allvarliga inre brännskador på bara två timmar och vara livshotande.
 - Håll nya och förbrukade batterier utom räckhåll för barn.
 - Sluta använda produkten om batterifacket inte går att stänga ordentligt, och håll den utom räckhåll för barn.
 - Om du tror att batterier har förtärts eller finns inuti någon del av kroppen måste du omedelbart söka läkarvård.

29. Varning om användning av batterier:

- Explosionsrisk om batteriet byts ut felaktigt. Byt endast ut mot samma eller motsvarande typ.
- Batteriet får inte vid användning, förvaring eller transport utsättas för extremt höga eller låga temperaturer samt lågt lufttryck vid hög höjd.
- Att byta ut ett batteri mot en felaktig typ kan leda till en explosion eller läckage av brandfarlig vätska eller gas.
- Kassering av ett batteri i eld, en varm ugn, mekaniskt krossning eller skärning av det kan resultera i en explosion.
- Att lämna ett batteri i en omgivning med extremt hög temperatur kan resultera i en explosion eller läckage av brandfarlig vätska eller gas.
- Ett batteri som utsätts för extremt lågt lufttryck kan leda till en explosion eller läckage av brandfarlig vätska eller gas.
- Miljöaspekterna bör uppmärksammas när det gäller kassering av batterier.

MONTERING

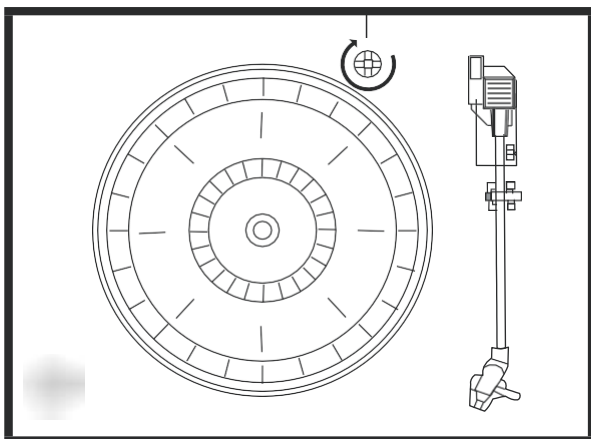
- Packa upp alla delar och ta bort skyddsmaterialet.
- Enheten får inte anslutas till elnätet innan du kontrollerat nätspänningen och att alla andra anslutningar har utförts.

FÖRBEREDELSE FÖR ANVÄNDNING

PACKA UPP OCH KONFIGURERA

- Ta försiktigt ut enheten från förpackningen och ta bort allt förpackningsmaterial.
- Rulla ut strömkabeln och dra ut den till sin fulla längd.
- Placera enheten på en stabil och nivellerad yta som är nära ett eluttag samt borta från direkt solljus och källor som genererar värme, damm, fukt eller starka magnetfält.
- Anslut kontakten till ett eluttag.
- Lyft upp locket för att komma åt skivspelaren. Skivspelaren har säkrats för transport med en transportskruv.
- Använd ett mynt eller en skruvmejsel för att rotera transportskruven medurs. Detta "frigör" skivspelaren.

TRANSPORTSKRUV

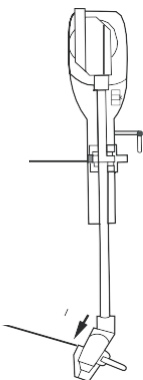


- Ta bort det opaka och vita nålskyddet i plast från skivspelarens nålen genom att skjuta det i pilens riktning.

Kassera nålskyddet.

- Ta bort spänntråden som används för att säkra tonarmen under transport.
- Frigör tonarmens låsspak.
- Anslut kontakten till ett eluttag.

TONARMENS
LÅSSPAK



NÅLSKYDD

STRÖMKÄLLA

- Det här systemet använder en AC-adapter.
- Om så behövs ska uttaget modifieras av en behörig elektriker.
- För att enheten ska kunna användas korrekt måste strömkontakten och eluttaget vara kompatibla.

VIKTIGT: Lyfta och sänka locket

För att öppna locket ska du lyfta det så långt det går till dess stöd "låses fast" i öppet läge.

För att stänga locket ska lyft det något uppåt till dess stöd "frigörs" och sedan försiktigt sänka ned locket.

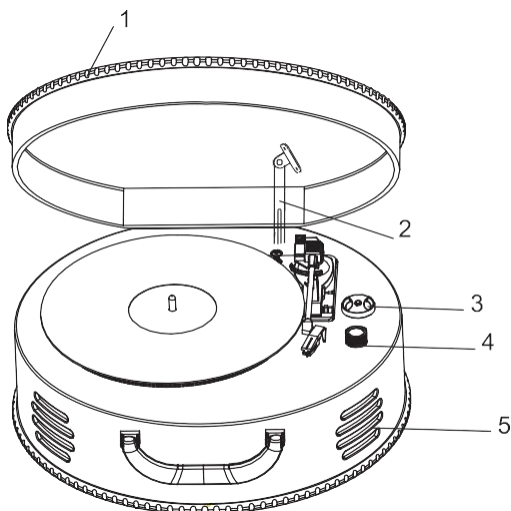
STÅNG ALDRIG LOCKET MED VÅLD FÖR ATT UNDVIKA ATT SKADA BASEN ELLER LOCKET

SKYDDA DINA MÖBLER

Den här modellen är utrustad med halksäkra gummifötter som förhindrar att den på rör sig när kontrollerna används. Dessa "fötter" är tillverkade av ett icke-degraderande gummimaterial som har tagits fram speciellt för att undvika att lämna märken eller fläckar på möblerna. Vissa typer av oljebaserad möbelpolish, träskyddsmedel eller rengöringssprayer kan dock mjuka upp gummifötterna och de kan då lämna märken eller gummirester på möbler. Vi rekommenderar starkt att du köper små självhäftande filtdynor för att förhindra skador på möblerna. Dessa finns tillgängliga på byggvaruhus och i heminredningsbutiker och de kan enkelt appliceras på undersidan av gummifötterna innan produkten placeras på värdefulla trä möbler.

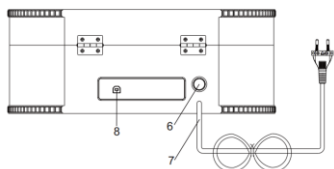
KONTROLLERNAS OCH INDIKATORERNAS PLACERING

FRONTPANEL



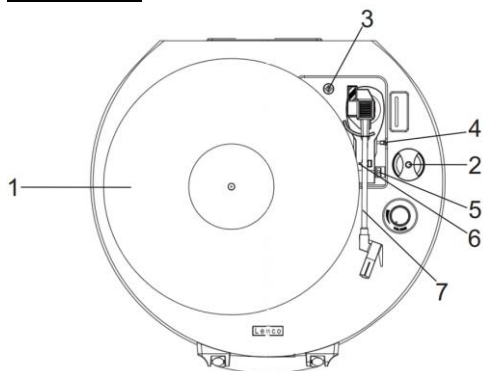
- 1) SKIVSPELARENS LOCK
- 2) STÖD FÖR SKIVSPELARENS LOCK
- 3) 45 RPM ADAPTER
- 4) VOLYMREGLAGE
- 5) HÖGTALARE

BAKPANEL



- 6) STRÖMBRYTARE
- 7) AC-NÄTKABEL
- 8) USB-UTTAG

SKIVSPELAREN



- 1) Skivspelare
- 2) 45 RPM Adapter
- 3) Transportskruv
- 4) Anläggningsspak
- 5) Reglage för att välja varvtal (33, 45 och 78 rpm)
- 6) Lås för tonarm
- 7) Tonarm med nål

SPELA UPP EN SKIVA

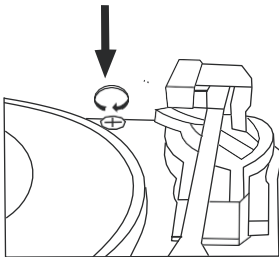
Det här systemet innehåller en treväxlad remdriven skivspelare i fullstorlek. Du kan spela upp skivor med 33, 45 och 78 rpm.

- 1) Tryck på STRÖMBRYTAREN för att slå på enheten.
- 2) Se till att du har tagit bort nålskyddet från nålen och att tonarmens spärr, som säkrar tonarmen vid tonarmstödet, har frigjorts.
- 3) Ställ in skivspelarens hastighetsväljare till en lämplig hastighet på 33, 45 eller 78 rpm. Om du spelar upp singelskivor på 45 rpm ska du placera en 45 rpm adapter på centerspindeln.
- 4) Placera skivan på centerspindeln.
- 5) Lyft tonarmsspaken för att lyfta tonarmen från sin vagga. Flytta tonarmen till kanten av skivan. Skivspelaren startar automatiskt. Använd tonarmsspaken för att försiktigt sänka ned tonarmen på skivan.
- 6) När tonarmen når slutet av skivan återgår den automatiskt till tonarmstödet och skivspelaren stannar.
- 7) Tryck på och håll STRÖMBRYTAREN nedtryckt i två sekunder för att stänga av systemet.

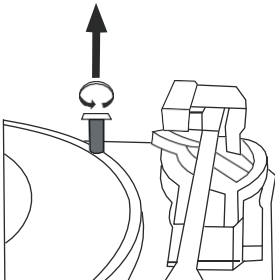
OBS! Stäng inte av eller stoppa skivspelaren manuellt. Att flytta eller skaka på skivspelaren utan att fästa tonarmens klämma kan resultera i skada på tonarmen.

VIKTIGT

- FÖR ATT SKYDDA SKIVSPELAREN FRÅN SKADOR UNDER TRANSPORT FINNS EN SILVERFÄRGAD TRANSPORTSKRUV UPPE TILL HÖGER PÅ SKIVSPELARENS PLATTFORM.
- INNAN UPPSPELNING SKA DU ANVÄND EN SKRUVMEJSEL FÖR ATT ROTERA TRANSPORTSKRUVEN MEDURS (SKRUVEN ROTERAR NED) HELT FÖR ATT LÅSA UPP SKIVSPELAREN.



- ROTERA SKRUVEN MOTURS FÖR ATT LÅSA SKIVSPELAREN IGEN FÖR TRANSPORT.



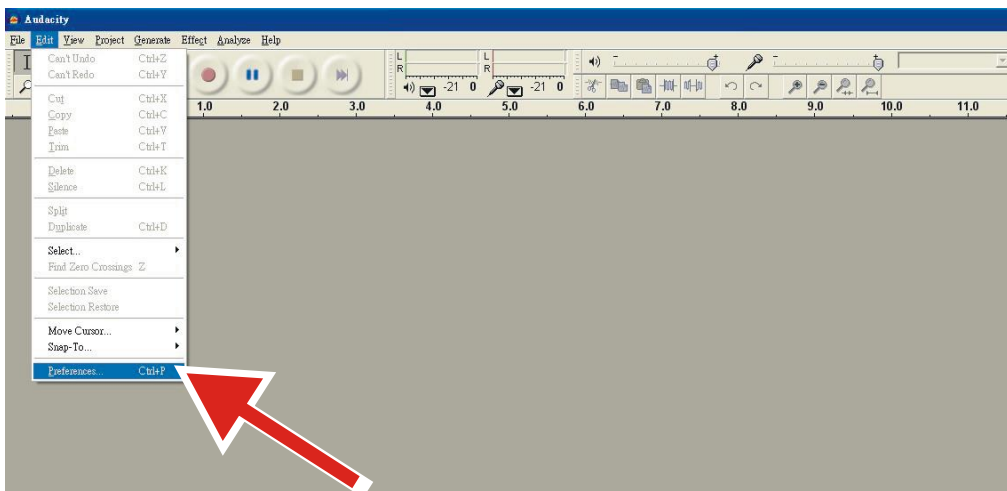
ÖVERSIKT ÖVER AUDACITYS PROGRAMVARA

Audacity är fri programvara, licensierad under GNU General Public License (GPL). Mer information samt öppen källkod finns på webben på <https://www.audacityteam.org/download/>

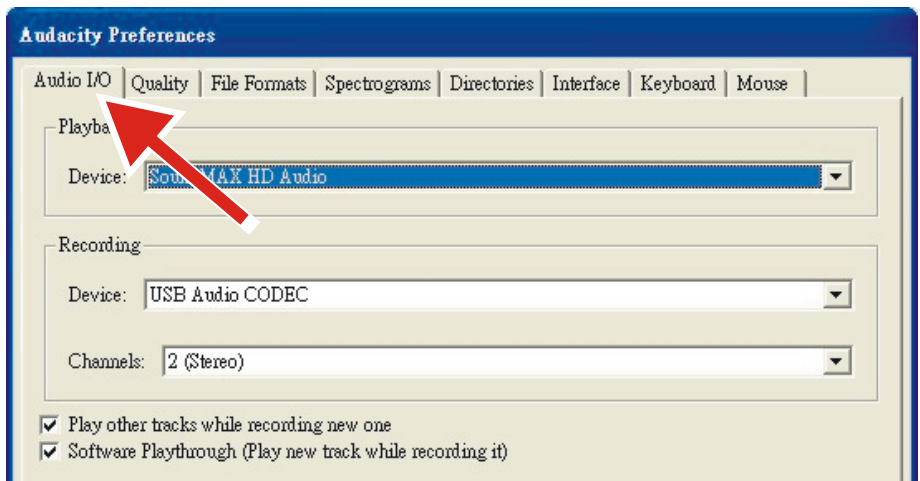
* **Kontrollera att du har installerat programvaran innan du börjar.**

Konfigurera din dator så att den fungerar med Audacity

1. Anslut en ingångskälla till enheten.
2. Anslut USB-kabeln till datorn.
3. Installera Audacitys programvara för inspelning.
4. Öppna Audacity-programmet.
5. Välj Preferences (inställningar) på fliken Edit (redigera) i Audacity-menyn.



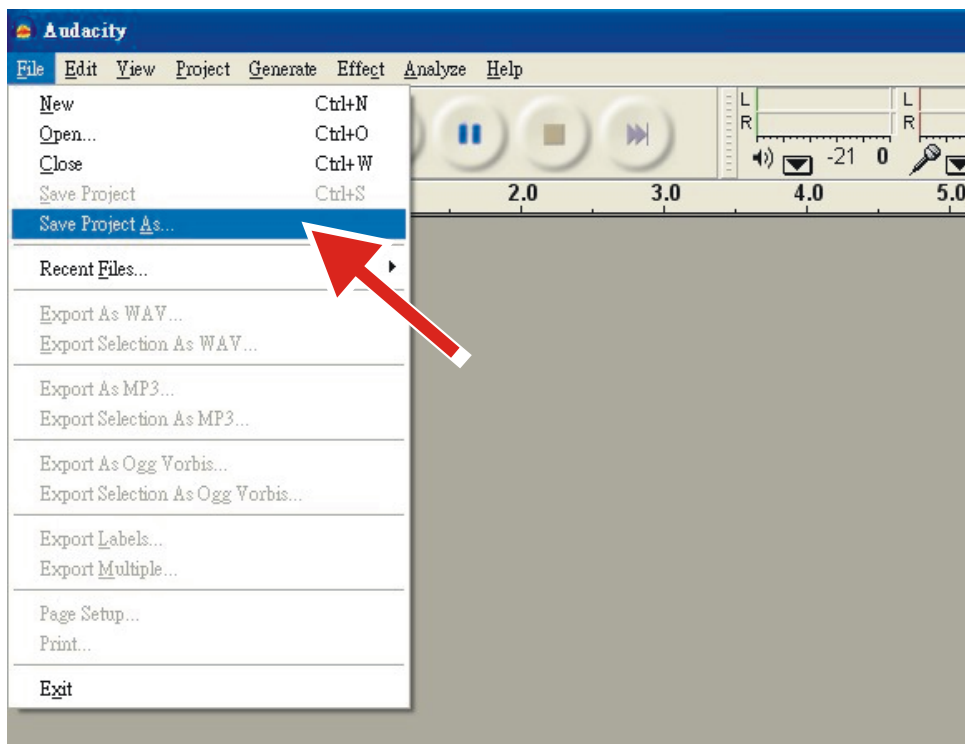
6. Välj fliken **Audio I/O** (ljud in/ut) längst upp till vänster.
 - Under Playback (uppspelning), Device (enhet) väljer du **your internal sound card** (ditt interna ljudkort).
 - Under Recording (inspelning), Device (enhet) väljer du **USB Audio CODEC**.
 - Under Recording (inspelning), Channels (kanaler) väljer du **2 (Stereo)**.
 - Kryssa i rutan **Play other tracks while recording new one** (spela upp andra spår medan du spelar in ett nytt).
 - Kryssa i rutan **Software Playthrough** (genomspelning av programvara).



Spela in album med Audacity

1. Spara ett projekt

- Audacity skriver allt ändrat och inspelat ljud till en katalog som heter **Projectname_data**, som finns där du sparade själva projektfilen.
- Välj därför **Save project as** (spara projekt som) från fliken Audacity File (Audacity-fil) och välj en plats och ett filnamn för ditt projekt.
- Observera att när du startar Audacity på nytt är endast menyalternativet **"Save As..."** (spara som...) tillgängligt.





2. Så här spelar du in

- Ställ in din USB-skivspelare så att den spelar låten eller albumet du vill spela in.

- Klicka på den röda inspelningsknappen  för att påbörja inspelningen.

- Sänk ned tonarmen på USB-skivspelaren på albumet och spåret du vill spela in.

- Klicka på den blå pausknappen  för att pausa inspelningen. Tryck på den igen för att fortsätta.

- Klicka på den gula stoppknappen. 

Så enkelt är det. Du kan du experimentera med din inspelning och utforska redigeringsmöjligheterna i Audacity. Kom ihåg att du kan använda Ångra-funktionen nästan obegränsat medan projektet är öppet.

OBS! CD-skivor kan inte brännas direkt från programmet Audacity. Andra program för bränning av CD-skivor ska användas.

1. Garanti

Commaxx B.V. erbjuder service och garanti i enlighet med europeisk lagstiftning, vilket innebär att du vid fall av reparationer (både under och efter garantins giltighetsperiod) ska kontakta din lokala återförsäljare.

Viktig information: Det går inte att skicka produkter som behöver repareras direkt till Commaxx B.V.

Viktig information: Om enheten öppnas eller på något sätt tillgängliggörs av ett icke-officiellt servicecenter, upphör garantin att gälla.

Enheten är inte lämplig för professionellt bruk. Vid yrkesmässig användning, upphör tillverkarens samtliga garantier att gälla.

2. Friskrivningsklausul

Uppdateringar av inbyggd programvara och/eller hårdvarukomponenter görs regelbundet. Därmed kan vissa anvisningar, specifikationer och bilder i den här dokumentationen skilja sig något från din särskilda situation. Alla föremål som beskrivs in den här handledningen är endast för illustrationssyfte och kan inte tillämpas på någon speciell situation. Inga juridiska rättigheter eller anspråk kan erhållas från beskrivningen i den här bruksanvisningen.

3. Kassering av gammal enhet



Den här symbolen anger att den relevanta elektriska produkten eller batteriet inte ska kasseras med det allmänna hushållsavfallet i Europa. När den korrekta avfallsbehandlingen för produkten och batteriet ska säkerställas, ska elektrisk utrustning eller batterier kasseras i enlighet med varje krav på tillämplig lokal lagstiftning. Genom detta handlande bidrar du till att återvinna naturresurser och förbättra normer för miljöskydd och kassering av elektrisk avfall (elektrisk och elektronisk utrustning).

4. CE-märkning

Härmed deklarerar Commaxx B.V. Wiebachstraat 37, 6466 NG Kerkrade, The Netherlands att den här produkten uppfyller EU:s väsentliga direktivkrav.

Försäkran om överensstämmelse kan erhållas från techdoc@commaxxgroup.com



5. Service

För mer information och support via vår helpdesk går du till www.lenco.com

Commaxx B.V. Wiebachstraat 37, 6466 NG Kerkrade, The Netherlands.

HUOMIO:

Muiden kuin tässä oppaassa määritettyjen säätimien tai säätöjen käyttö tai muiden toimenpiteiden suorittaminen voi johtaa vaaralliseen säteilylle altistumiseen.

VAROTOIMET ENNEN KÄYTTÖÄ**PIDÄ NÄMÄ OHJEET MIELESSÄ:**

1. Älä peitä tai tuki mitään tuuletusaukkoja. Kun laitat laitteen hyllylle, jätä 5 cm vapaata tilaa laitteen ympärille.
2. Asenna mukana toimitetun käyttöoppaan mukaisesti.
3. Pidä laite etäällä lämmönlähteistä, kuten pattereista, lämmittimistä, uuneista, kynttilöistä ja muista lämpöä tuottavista tuotteista tai avotulesta. Laitetta voidaan käyttää vain lauhkeassa ilmastossa. Äärimmäisen kylmiä tai lämpimiä ympäristöjä tulee välttää. Käyttölämpötila-alue on 0–35 °C.
4. Vältä laitteen käyttämistä lähellä voimakkaita magneettikenttiä.
5. Sähköstaattinen purkaus voi häiritä laitteen normaalia käyttöä. Jos näin on, nollaa ja käynnistä laite yksinkertaisesti käyttöohjeen mukaisesti. Käsittele tiedostoja lähetysten aikana varoen ja ympäristössä, jossa ei ole staattista sähköä.
6. Varoitus! Älä koskaan työnnä mitään esinettä tuotteeseen tuuletusaukkojen tai muiden aukkojen kautta. Korkea jännite virtaa tuotteen läpi ja esineen työntäminen sisälle voi aiheuttaa sähköiskun ja/tai oikosulun sisäosista. Samasta syystä älä kaada vettä tai nestettä tuotteen päälle.
7. Älä käytä märissä tai kosteissa tiloissa, kuten kylpyhuoneissa, höyryisissä keittiössä tai uima-altaiden lähellä.
8. Laitetta ei saa altistaa pisaroille tai roiskeille. Nesteitä sisältäviä esineitä, kuten maljakkoja, ei saa asettaa laitteen päälle tai sen lähelle.
9. Älä käytä tätä laitetta, jos kosteuden tiivistymistä voi tapahtua. Jos laitetta käytetään lämpimässä, kosteassa tilassa, vesipisaroita tai kondensaatia voi esiintyä laitteen sisällä, eikä laite ehkä toimi oikein. Kytke laite pois päältä 1–2 tunniksi ennen kuin kytket virran uudelleen päälle: laitteen pitää olla kuiva ennen virran kytkemistä.
10. Vaikka tämä laite on valmistettu erittäin huolellisesti ja tarkistettu useita kertoja ennen tehtaalta toimittamista, on silti mahdollista, että ongelmia voi esiintyä, kuten kaikissa sähkölaitteissa. Jos huomaat savua, liiallista lämmön kertymistä tai muita odottamattomia ilmiöitä, irrota pistoke välittömästi pistorasiasta.
11. Tätä laitetta on käytettävä virtalähteellä, joka vastaa teknisiä tietoja. Jos et ole varma kodissasi käytettävästä virtalähteestä, ota yhteys jälleenmyyjään tai paikalliseen sähköyhtiöön.
12. Suojaa eläimiltä. Eläimet voivat pureskella virtajohtoja.
13. Käytä laitteen puhdistamiseen pehmeää, kuivaa liinaa. Älä käytä liuottimia tai bensiinipohjaisia tuotteita. Voimakkaiden tahrojen poistamiseksi voit käyttää laimeaan pesuaineeseen kostutettua liinaa.
14. Toimittaja ei ole vastuussa vahingoista tai kadonneista tiedoista, jotka johtuvat toimintahäiriöistä, väärinkäytöstä, laitteen muutoksista tai paristojen vaihdosta.
15. Älä katkaise yhteyttä, kun laite alustaa tai siirtää tiedostoja. Muussa tapauksessa tiedot voivat vioittua tai kadota.
16. Jos laitteessa on USB-toistotoiminto, USB-muistitikku on kytkettävä suoraan laitteeseen. Älä käytä USB-jatkojohtoa, koska se voi aiheuttaa häiriöitä ja johtaa tietojen menettämiseen.
17. Arvokilpi on merkitty laitteen pohjaan tai takapaneeliin.

18. Tätä laitetta ei ole tarkoitettu sellaisten henkilöiden (mukaan lukien lapset) käyttöön, joilla on fyysisiä, aistinvaraisia tai henkisiä häiriöitä tai joilla ei ole kokemusta tai tietoa, jollei heidän turvallisuudestaan vastaava henkilö valvo heitä tai ole antanut heille ohjeita laitteen käytöstä.
19. Tämä tuote on tarkoitettu yksityiskäyttöön, ei kaupalliseen tai teolliseen käyttöön.
20. Varmista, että yksikkö on säädetty vakaaseen asentoon. Takuu ei kata vahinkoja, jotka aiheutuvat tuotteen käytöstä epävakaassa asennossa, tärinästä tai iskuista tai tässä käyttöoppaassa olevien varoitusten tai varotoimien noudattamatta jättämisestä.
21. Älä koskaan poista laitteen koteloa.
22. Älä koskaan aseta laitetta muiden sähkölaitteiden päälle.
23. Pidä muovipussit poissa lasten ulottuvilta.
24. Käytä vain valmistajan määrittelemiä lisäosia/lisävarusteita.
25. Jätä huolto pätevän huoltohenkilön suoritettavaksi. Huoltoa tarvitaan, kun laite on jotenkin vaurioitunut, esimerkiksi virtajohto tai pistoke on vaurioitunut, nestettä on roiskunut tai esineitä on pudonnut laitteeseen, laite on altistunut sateelle tai kosteudelle, se ei toimi normaalisti tai se on pudonnut.
26. Pitkäaikainen altistuminen musiikkisoittimien voimakkailla äänillä voi johtaa tilapäiseen tai pysyvään kuulonmenetykseen.
27. Jos tuotteen mukana tulee virtajohto ja vaihtovirtaverkkolaite:
 - Jos ilmenee ongelmia, irrota vaihtovirtajohto ja ota yhteys pätevään henkilöstöön.
 - Älä astu verkkolaitteen päälle tai jätä sitä puristuksiin. Ole erittäin varovainen, erityisesti pistokkeiden ja kaapelin ulostulokohdan lähellä. Älä laita raskaita esineitä verkkolaitteen päälle, ne voivat vaurioittaa sitä. Pidä laite kokonaisuudessaan poissa lasten ulottuvilta! Virtajohdolla leikkiessään he voivat loukkaantua vakavasti.
 - Irrota laitteen virtajohto ukkosmyrskyn aikana tai kun sitä ei käytetä pitkään aikaan.
 - Pistorasian tulee sijaita lähellä laitetta ja siihen tulee päästä helposti käsiksi.
 - Älä ylikuormita pistorasioita tai jatkojohtoja. Ylikuormitus saattaa aiheuttaa tulipalon tai sähköiskun.
 - Luokan 1 mukaiset laitteet on kytkettävä suojamaadoitettuun pistorasiaan.
 - Luokan 2 mukaiset laitteet eivät vaadi maadoitettua liitäntää.
 - Pidä aina kiinni pistokkeesta, kun vedät sen irti pistorasiasta. Älä vedä virtajohdosta. Se voi aiheuttaa oikosulun.
 - Älä käytä vaurioitunutta virtajohtoa tai pistoketta tai löysää pistorasiaa. Ne saattavat aiheuttaa sähköiskun.
28. Jos tuote tai sen mukana tuleva kaukosäädin sisältää nappiparistoja:

Varoitus:

 - ”Älä niele paristoja tai akkuja, kemiallisen palovamman vaara” tai vastaava.
 - [Mukana toimitettu kauko-ohjain] Tämä tuote sisältää nappipariston. Jos nappiparisto nielläään, se voi aiheuttaa vakavia sisäisiä palovammoja jo kahdessa tunnissa, ja voi johtaa kuolemaan.
 - Pidä sekä uudet että vanhat paristot ja akut poissa lasten ulottuvilta.
 - Jos paristolokero ei sulkeudu kunnolla, lopeta tuotteen käyttö ja pidä tuote poissa lasten ulottuvilta.
 - Jos epäilet, että paristoja tai akkuja on nieltä tai työnnetty johonkin kehon aukkoon, hakeudu välittömästi lääkäriin.
29. Huomio paristojen tai akkujen käytöstä:
 - Räjähdyksivaara, jos paristo tai akku asetetaan väärin. Vaihda vain samanlaiseen tai vastaavaan tyyppiin.

- Paristoa tai akkua ei saa altistaa korkeille tai matalille ääriämpötiloille tai matalalle ilmanpaineelle suurissa korkeuksissa käytön, varastoinnin tai kuljetuksen aikana.
- Pariston tai akun vaihtaminen väärän tyyppiseen voi johtaa räjähdykseen tai syttyvän nesteen tai kaasun vuotamiseen.
- Paristojen tai akkujen hävittäminen tuleen tai kuumaan uuniin tai paristojen tai akkujen mekaaninen murskaaminen tai leikkaaminen voi johtaa räjähdykseen.
- Paristojen tai akkujen jättäminen erittäin kuumaan ympäristöön voi johtaa räjähdykseen tai syttyvän nesteen tai kaasun vuotamiseen.
- Paristojen tai akkujen altistaminen erittäin matalalle ilmanpaineelle voi johtaa räjähdykseen tai syttyvän nesteen tai kaasun vuotamiseen.
- Ympäristönsuojeluun liittyvät asiat on huomioitava paristojen ja akkujen hävittämisessä.

ASENTAMINEN

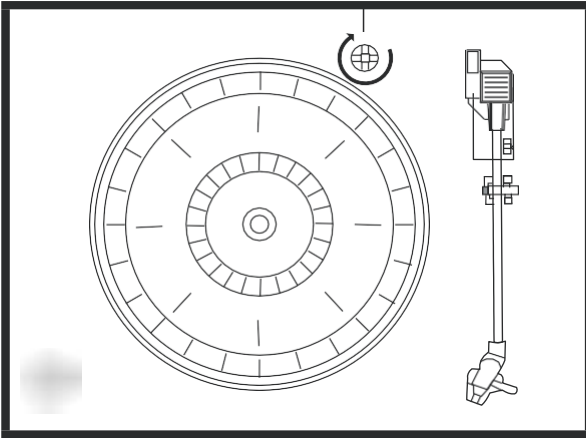
- Pura kaikki osat pakkauksesta ja poista suojamateriaalit.
- Älä yhdistä laitetta sähkövirtaan ennen kuin tarkistat jännitteen ja ennen kuin kaikki liitännät on tehty.

KÄYTÖN VALMISTELU

PAKKAUKSESTA PURKAMINEN JA ASETUS

- Poista laite varovasti pakkauksesta ja poista kaikki pakkausmateriaali laitteesta.
- Kierrä verkkovirtajohto auki ja avaa se täyteen pituuteensa.
- Aseta laite vakaalle tasaiselle pinnalle lähelle verkkovirtapistoketta. Älä altista laitetta suoralle auringonvalolle tai kohtuuttomalle lämmölle, pölylle, kosteudelle tai voimakkaille magneettikentille.
- Liitä pistoke verkkovirtapistorasiaan.
- Nosta kansi, jotta levysoitin on näkyvillä. Levysoitin on kiinnitetty kuljetusta varten kuljetusruuvilla.
- Käännä kuljetusruuvia myötöpäivään kolikolla tai ruuvimeisselillä. Tämä mahdollistaa levysoittimen ”kellumisen”.

KULJETUSRUUVI

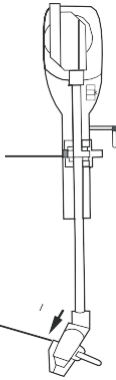


- Irrota läpinäkymätön valkoinen neulan suojus levysoittimen neulasta liu'uttamalla sitä nuolen suuntaan.

Hävitä neulan suojus.

- Irrota kierreside, jota käytetään äänivarren kiinnittämiseen kuljetuksen aikana.
- Vapauta äänivarren lukitusvipu.
- Liitä pistoke verkkovirtapistorasiaan.

ÄÄNIVARREN
LUKITUSVIPU



NEULAN SUOJUS

VIRTUALÄHDE

- Tämä järjestelmä käyttää verkkovirtasovitinta.
- Pätevän sähköasentajan tulee vaihtaa pistorasia.
- Jotta laite toimisi oikein, virtapistokkeen ja pistorasian tulee vastata toisiaan.

TÄRKEÄÄ: Levysoittimen kannen nostaminen ja laskeminen

Voit avata kannen nostamalla sitä mahdollisimman korkealle, kunnes tukikannatin lukittuu avoimeen asentoon.

Voit sulkea kannen nostamalla sitä hieman ylös, kunnes tukikannatin vapautuu; laske kansi tämän jälkeen varoen alas.

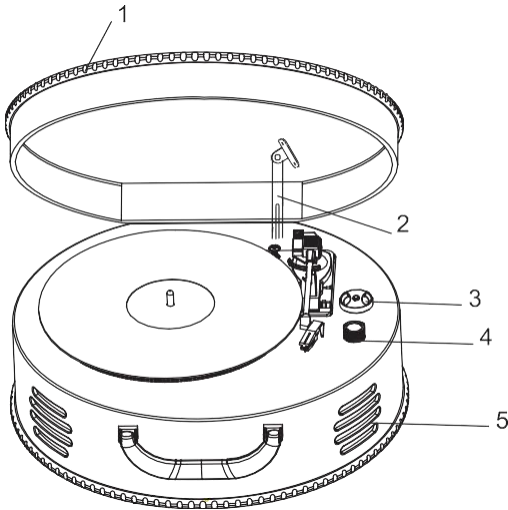
ÄLÄ KOSKAAN SULJE KANTTA VÄKISIN, JOTTA KOTELO TAI KANSI EI VAHINGOITU

HUONEKALUJEN SUOJAAMINEN

Tämä malli on varustettu liukumattomilla kumijaloilla, jotka estävät laitteen liikkumisen ohjaimia käytettäessä. Nämä jalat on valmistettu liukumattomasta kumimateriaalista, joka on valmistettu erityisesti sellaiseksi, että se ei jätä merkkejä tai tahroja huonekaluihin. Eräät öljypohjaiset huonekalujen kiillotusaineet, puunkäsittelyaineet tai puhdistussuihkeet saattavat pehmentää kumijalkoja niin, että ne jättävät merkkejä tai kumijäämiä huonekaluihin. Jotta voit estää huonekalujen vahingoittumisen, suosittelemme vahvasti, että ostat rautakaupasta tai kodinkoneliikkeestä pieniä itsekiinnittyviä huopapaloja ja asetat nämä palat kumijalkojen pohjaan ennen tuotteen asettamista herkkien puuhuonekalujen päälle.

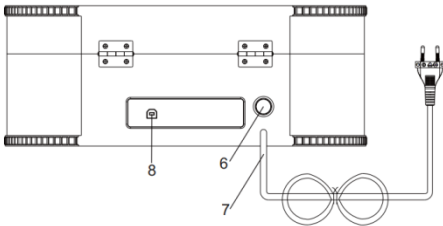
SÄÄTIMIEN JA MERKKIVALOJEN SIJAINNIT

ETUPANEELI



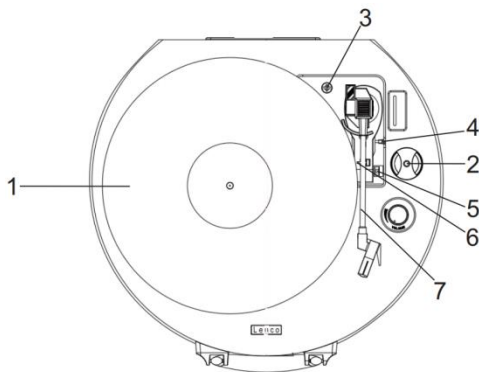
- 1) LEVYSOITTIMEN KANSI
- 2) LEVYSOITTIMEN KANNEN TUKIKANNATIN
- 3) 45 RPM:N SOVITIN
- 4) ÄÄNENVOIMAKKUUDEN SÄÄDIN
- 5) KAIUTTIMET

TAUSTAPANEELI



- 6) VIRTAPAINIKE
- 7) AC-VIRTAJOHTO
- 8) USB-LIITÄNTÄ

LEVYSOITIN



- 1) Levysoitin
- 2) 45 rpm:n sovitin
- 3) Kuljetusruuvi
- 4) Nostovipu
- 5) Nopeuden valitsin (33, 45, 78 RPM)
- 6) Äänivarren lukitus
- 7) Äänivarsi neulalla

LEVYJEN SOITTAMINEN

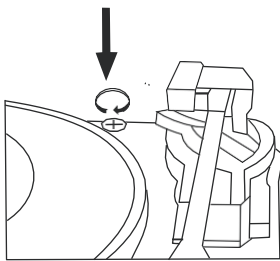
Tässä järjestelmässä on täysikokoinen, 3-nopeuksinen, hihnakäyttöinen levysoitin. Voit soittaa 33, 45 ja 78 rpm:n levyjä.

- 1) Sammuta laitteen virta painamalla VIRTA-painiketta.
- 2) Varmista, että olet irrottanut neulan suojuksen neulasta ja vapauttanut äänivarren lukituksen, jolla äänivarsi on kiinnitetty äänivarren tukeen.
- 3) Aseta levysoittimen nopeuden valitsin sopivaan nopeuteen 33, 45 tai 78 rpm. Jos soitat 45 rpm:n singlejä, aseta 45 rpm:n sovitin keskitappiin.
- 4) Aseta levy keskitappiin.
- 5) Nosta äänivarsi pidikkeestä nostamalla äänivarren vipu sen pidikkeestä. Siirrä äänivarsi levyn reunaan. Levysoitin käynnistyy automaattisesti. Laske äänivarsi varovasti levyn päälle ÄÄNIVARREN vivun avulla.
- 6) Kun äänivarsi saavuttaa levyn reunan, se palaa automaattisesti äänivarren pidikkeeseen ja levyn toistaminen loppuu.
- 7) Voit sammuttaa järjestelmän pitämällä VIRTA-painikkeen painettuna kaksi sekuntia.

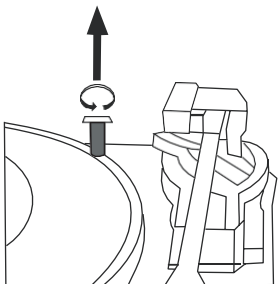
HUOMAA: Älä pysäytä levysoitinta manuaalisesti. Levysoittimen siirtäminen äänivarren pidikettä varmistamatta saattaa vaurioittaa äänivartta.

TÄRKEÄÄ

- LEVYSOITINALUSTAN OIKEASSA YLÄKULMASSA ON HOPEANVÄRINEN KULJETUSRUUVI LEVYSOITTIMEN SUOJAAMISEKSI VAURIOILTA KULJETUKSEN AIKANA.
- KÄÄNNÄ KULJETUSRUUVIA MYÖTÄPÄIVÄÄN (RUUVI KIIERTYY ALAS) RUUVIMEISSELILLÄ ENNEN LEVYN TOISTAMISTA, JOTTA LEVYSOITTIMEN LUKITUS VAPAUTUU KOKONAAN.



- VOIT LUKITA LEVYSOITTIMEN UUELLEEN KULJETUSTA VARTEN KIERTÄMÄLLÄ RUUVIA VASTAPÄIVÄÄN.



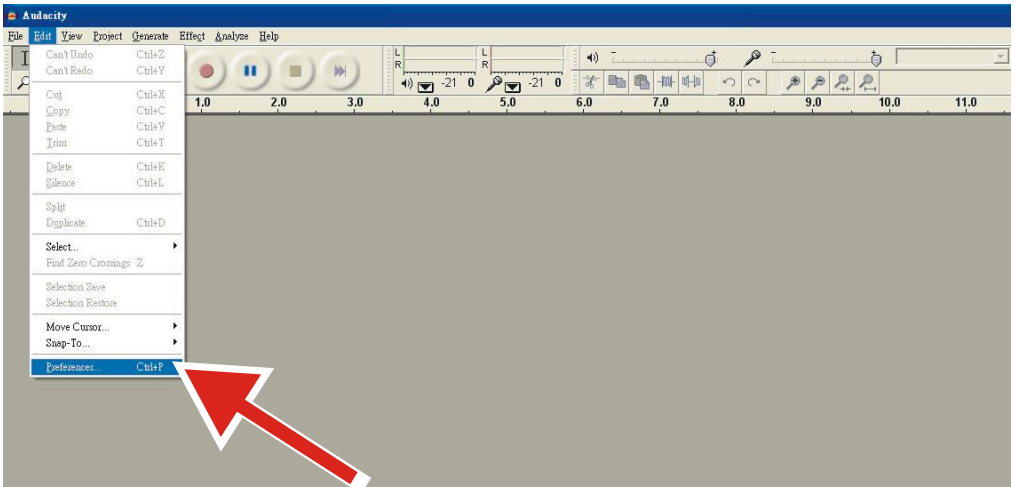
AUDACITY-OHJELMISTON YLEISKATSAUS

Audacity on ilmainen ohjelmisto, jolla on GNU General Public License (GPL) -lisenssi. Lisätietoja sekä avoin lähdekoodi löytyvät Internetistä osoitteesta <https://www.audacityteam.org/download/>

* **Varmista, että olet asentanut ohjelmiston ennen aloittamista.**

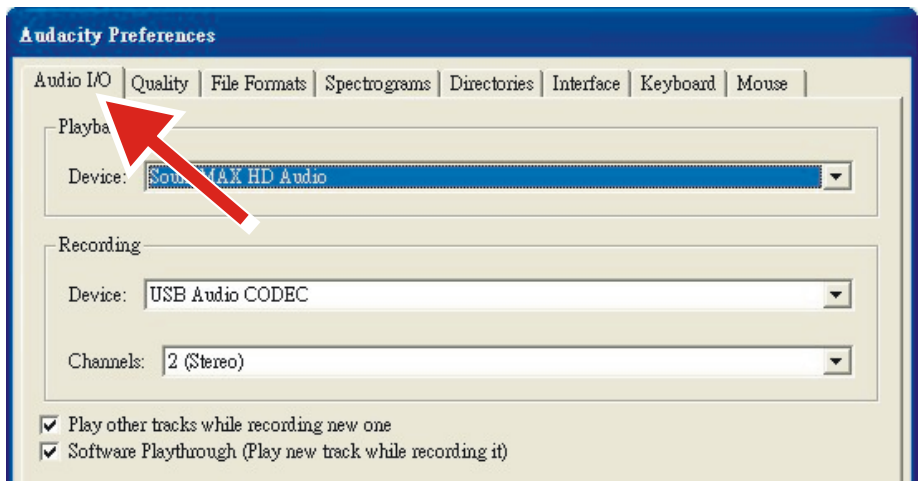
Tietokoneen asettaminen toimimaan Audacityn kanssa

1. Liitä tulolähde laitteeseen.
2. Liitä USB-johdot tietokoneeseen.
3. Asenna Audacity-tallennusohjelmisto.
4. Avaa Audacity-ohjelma.
5. Valitse Audacityn Valikko, sitten Muokkaa-välilehdeltä Asetukset.



6. Valitse **Audio I/O** -välilehti ylhäältä vasemmalta.

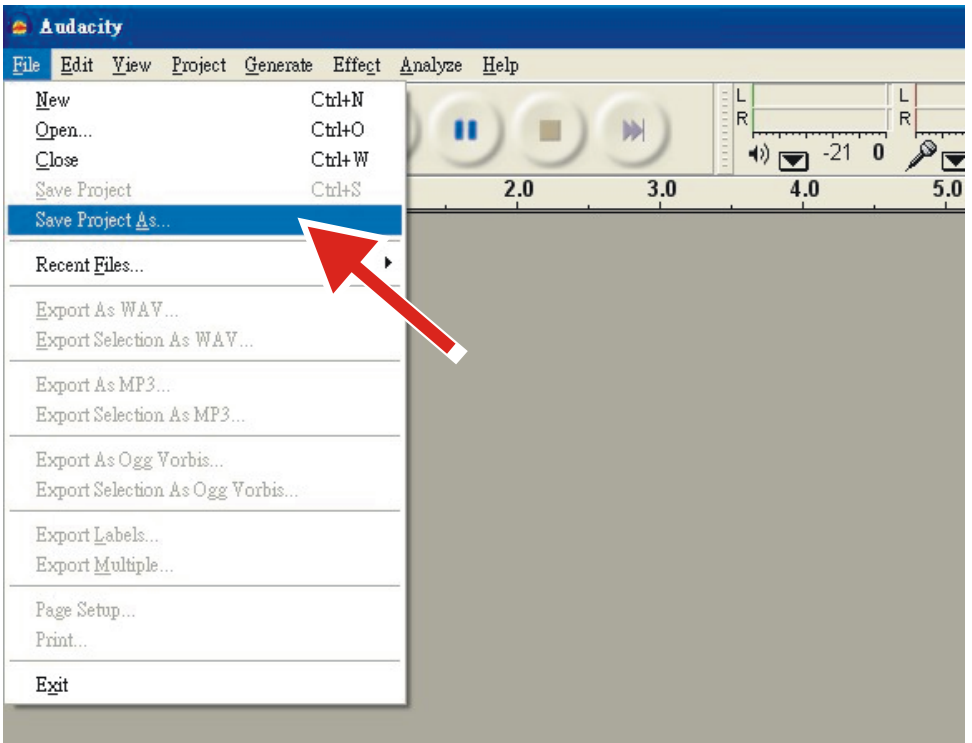
- Valitse kohdassa Playback (toisto), Device (laite) **your internal sound card** (sisäinen äänikortti).
- Valitse kohdassa Recording (tallennus), Device (laite) **USB Audio CODEC** (USB-äänikoodekki).
- Valitse kohdassa Recording (tallennus), Channels (kanavat) **2 (Stereo)**.
- Valitse ruutu **Play other tracks while recording new one** (toista muita kappaleita, kun nauhoitat uutta).
- Merkitse rasti ruutuun **Software Playthrough**.






Albumien tallentaminen Audacity-ohjelmalla

1. Projektin tallentaminen

- Audacity kirjoittaa kaikki muutetut ja nauhoitetut äänet hakemistoon nimeltä **Projectname_data**, joka sijaitsee siellä, mihin itse projektitiedosto tallennettiin.
- Valitse sitten **Save Project as (tallenna projekti nimellä)** Audacityn File (tiedosto) -välilehdeltä ja valitse projektille tallennussijainti ja tiedostonimi.
- Huomaa, että käynnistäessäsi Audacityn ensimmäisen kerran, vain "**Save As... (Tallenna nimellä...)**" - valikkovaihtoehto on käytettävissä.



2. Tallentaminen

- Aseta USB--levysoittimesi soittamaan kappale tai albumi, jonka haluat tallentaa.
- Aloita tallennus napsauttamalla punaista tallennuspainiketta .
- Laske USB-levysoittimen äänivarsi albumin ja kappaleen kohdalle, jonka haluat tallentaa.
- Pysäytä tallennus napsauttamalla sinistä taukopainiketta . Jatka painamalla sitä uudelleen.
- Napsauta keltaista pysäytyspainiketta. 

Siinä kaikki. Voit nyt käsitellä tallennettasi ja tutustua Audacityn muokkausominaisuuksiin. Muista, että voit käyttää peruustustoimintoa lähes rajattomasti, kun projekti on auki.

HUOMAA: CD-levyjä ei voi polttaa suoraan Audacity-sovelluksella. On käytettävä muita CD-polttosovelluksia.

1. Takuu

Commaxx B.V. tarjoaa huoltoa ja takuuta Euroopan lainsäädännön mukaisesti, mikä tarkoittaa sitä, että korjausasioissa (sekä takuuajana että sen jälkeen) sinun tulee ottaa yhteyttä paikalliseen jälleenmyyjään.

Tärkeä huomautus: Korjausta vaativia tuotteita ei voi lähettää suoraan Commaxx B.V.:lle.

Tärkeä huomautus: Takuu raukeaa, jos jokin valtuuttamaton huoltoliike avaa tämän laitteen tai tekee sille toimenpiteitä.

Laitte ei sovellu ammattikäyttöön. Kaikki valmistajan antamat takuut evätään, jos laitetta käytetään ammattikäytössä.

2. Vastuuvapauslauseke

Laitteohjelmiston ja/tai laitteistokomponenttien päivityksiä tehdään säännöllisesti. Tästä syystä jotkin tämän oppaan ohjeista, teknisistä tiedoista ja kuvista eivät ehkä vastaa täysin omaa tilannettasi. Kaikki tämän oppaan kuvat ovat vain viitteellisiä, eivätkä ne välttämättä vastaa todellista tilannetta. Tämän käyttöoppaan kuvaukset eivät oikeuta laillisiin oikeuksiin tai vaateisiin.

3. Vanhan laitteen hävittäminen



Tämä symboli ilmaisee, että kyseistä sähkötuotetta, paristoa tai akkua ei saa hävittää muun kotitalousjätteen seassa Euroopan alueella. Varmistaaksesi tuotteen, pariston ja akun oikean jätteenkäsittelyn, hävitä ne sähkölaitteiden tai paristojen ja akkujen hävittämistä koskevien paikallisten lakien mukaisesti. Näin autat säästämään luonnonvaroja ja parantamaan ympäristönsuojelun tasoa sähköjätteiden käsittelyssä ja hävittämisessä (sähkö- ja elektroniikkalaiteromudirektiivi).

4. CE-merkki

Commaxx B.V., Wiebachstraat 37, 6466 NG Kerkrade, Alankomaat, vakuuttaa täten, että tämä tuote on EU-direktiivin olennaisten vaatimusten mukainen.

Vaatimustenmukaisuusvakuutuksen tiedot voi pyytää osoitteesta techdoc@commaxxgroup.com



5. Huolto

Lisätietoa ja tukea saat osoitteesta www.lenco.com

Commaxx B.V. Wiebachstraat 37, 6466 NG Kerkrade, The Netherlands.