

# Lenco

Model CR-510



**User manual-Stereo clock radio**  
**Gebruikshandleiding-Stereo klokradio**  
**Bedienungsanleitung Stereo-Uhrenradio**  
**Guide d'utilisation - Radioréveil stéréo**  
**Manual del usuario - Radio reloj estéreo**

Index	
English .....	3
Nederlands .....	12
Deutsch.....	233
Français.....	33
Español .....	43

**CAUTION:**

Usage of controls or adjustments or performance of procedures other than those specified herein may result in hazardous radiation exposure.

This unit should not be adjusted or repaired by anyone except qualified service personnel.

**PRECAUTIONS BEFORE USE**

---

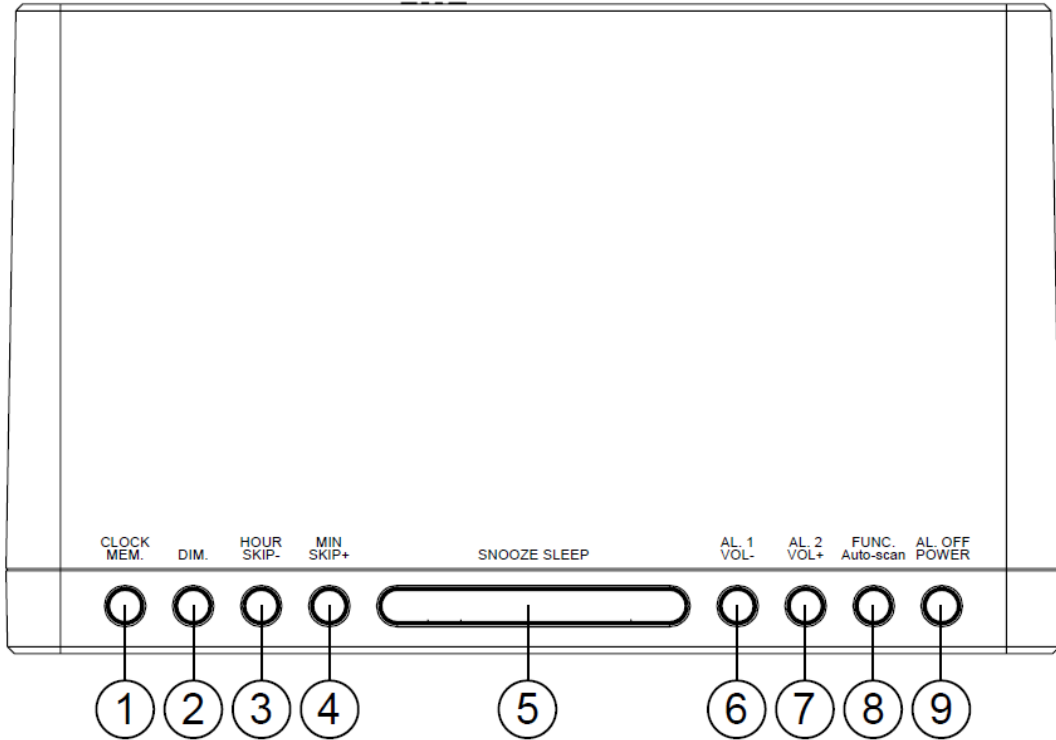
**KEEP THESE INSTRUCTIONS IN MIND:**

1. Do not use this device near water.
2. Clean only with a slightly damp cloth.
3. Do not cover or block any ventilation openings. When placing the device on a shelf, leave 5 cm (2") free space around the whole device.
4. Install in accordance with the supplied user manual.
5. Don't step on or pinch the power adaptor. Be very careful, particularly near the plugs and the cable's exit point. Do not place heavy items on the power adaptor, which may damage it. Keep the entire device out of children's reach! When playing with the power cable, they can seriously injure themselves.
6. Unplug this device during lightning storms or when unused for a long period.
7. Keep the device away from heat sources such as radiators, heaters, stoves, candles and other heat-generating products.
8. Avoid using the device near strong magnetic fields.
9. Electrostatic discharge can disturb normal usage of this device. If so, simply reset and restart the device following the instruction manual. During file transmission, please handle with care and operate in a static-free environment.
10. Warning! Never insert an object into the product through the vents or openings. High voltage flows through the product and inserting an object can cause electric shock and/or short circuit internal parts. For the same reason, do not spill water or liquid on the product.
11. Do not use in wet or moist areas such as bathrooms, steamy kitchens or near swimming pools.
12. Do not use this device when condensation may occur.
13. Although this device is manufactured with the utmost care and checked several times before leaving the factory, it is still possible that problems may occur, as with all electrical appliances. If you notice smoke, an excessive build-up of heat or any other unexpected phenomena, you should disconnect the plug from the main power socket immediately.
14. This device must be well ventilated at all time!
15. This device must operate on a power source as specified on the specification label. If you are not sure of the type of power supply used in your home, consult your dealer or local power company.
16. The socket outlet must be installed near the equipment and must be easily accessible.
17. Do not overload ac outlets or extension cords. Overloading can cause fire or electric shock.
18. Devices with class 1 construction should be connected to a main socket outlet with a protective earthed connection.
19. Devices with class 2 construction do not require an earthed connection.
20. Keep away from rodents. Rodents enjoy biting on power cords.
21. Always hold the plug when pulling it out of the main supply socket. Do not pull the power cord. This can cause a short circuit.
22. Avoid placing the device on any surfaces that may be subject to vibrations or shocks.
23. To protect the device during a thunderstorm, unplug the ac power adaptor.
24. When the device is not in use for long periods, unplug the ac power adaptor for safety reasons.
25. To clean the device, use a soft dry cloth. Do not use solvents or petrol based fluids. To remove severe stains, you may use a damp cloth with dilute detergent.
26. The supplier is not responsible for damage or lost data caused by malfunction, misuse, modification of the device or battery replacement.
27. Do not interrupt the connection when the device is formatting or transferring files. Otherwise, data may be corrupted or lost.

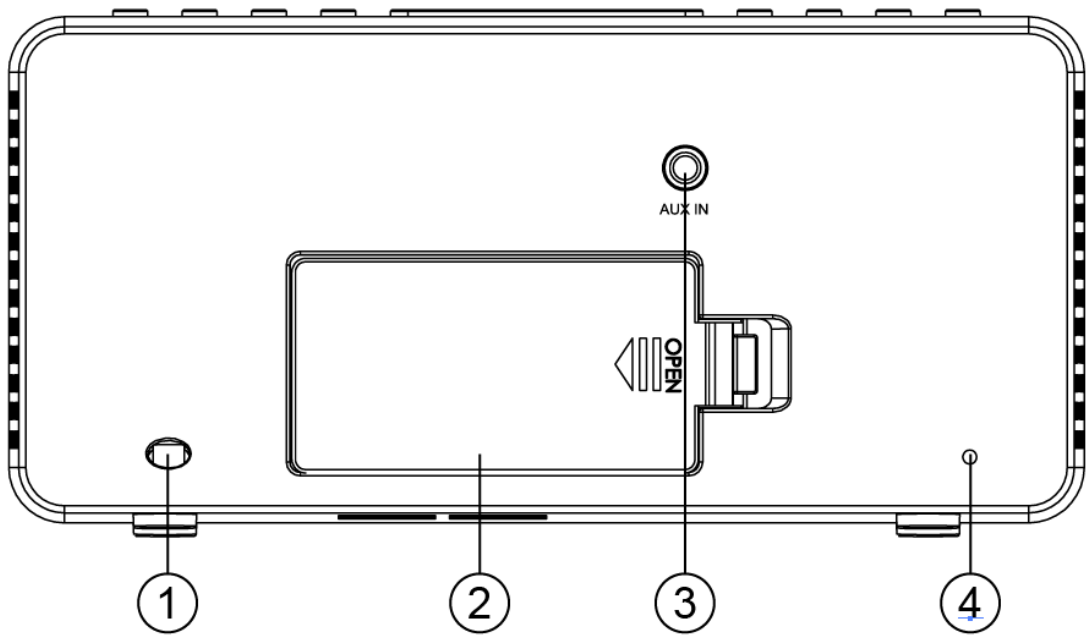
28. The usb memory stick should be plugged into the unit directly. Don't use an usb extension cable because it can cause interference resulting in failing of data.
  29. The apparatus shall not be exposed to dripping or splashing and make sure that no objects filled with liquids, such as vases, are placed on or near the apparatus.
  30. To completely disconnect the power input, the mains plug of the apparatus shall be disconnected from the mains, as the disconnect device is the mains plug of apparatus.
  31. The mains plug of the apparatus should not be obstructed or should be easily accessed during intended use.
  32. Battery shall not be exposed to excessive heat such as sunshine, fire or the like.
  33. Minimum distance of 10cm around the apparatus is needed for sufficient ventilations.
  34. The ventilation should not be impeded by covering the ventilation openings with items such as newspapers, table-cloths, curtains etc.
  35. No naked flame sources such as lighted candles should be placed on the apparatus.
  36. Attention should be drawn to the environmental aspects of battery disposal.
  37. The apparatus can only be used in moderate extremely cold or climates warm environments should be avoided.
  38. The rating label has been marked on the bottom panel of the apparatus.
  39. This device is not intended for use by people (including children) with physical, sensory or mental disabilities, or a lack of experience and knowledge, unless they're under supervision or have received instructions about the correct use of the device by the person who is responsible for their safety.
  40. This product is intended for household use only and not for commercial or industrial use.
  41. Make sure the unit is adjusted to a stable position. Damage caused by using this product in an unstable position or by failure to follow any other warning or precaution contained within this user manual will not be covered by warranty.
  42. Never remove the casing of this apparatus.
  43. Never place this apparatus on other electrical equipment.
  44. Do not use or store this product in a place where it is subject to direct sunlight, heat, excessive dust or vibration.
  45. Do not clean this product with water or other liquids.
  46. Do not block or cover the slots and holes in the product.
  47. Do not push foreign objects into the slots or holes in the product.
  48. Do not allow children access to plastic bags.
  49. Please check that the voltage on the type plate of your appliance corresponds with your house electricity supply (type plate is located on the back of the unit).
  50. Protect the power cord from being walked on or pinched, particularly at plugs, convenience receptacles, and the point where they exit from the apparatus.
  51. Only use attachments/accessories specified by the manufacturer.
  52. Refer all servicing to qualified service personnel. Servicing is required when the apparatus has been damaged in any way, such as the power supply cord or the plug, when liquid has been spilled or objects have fallen into the apparatus, when the apparatus has been exposed to rain or moisture, does not operate normally, or has been dropped.
  53. Do not use a damaged power cord or plug or a loose outlet. Doing so may result in fire or electric shock.
- Warning: prolonged exposure to loud sounds from personal music players may lead to temporary or permanent hearing loss.

## **INSTALLATION**

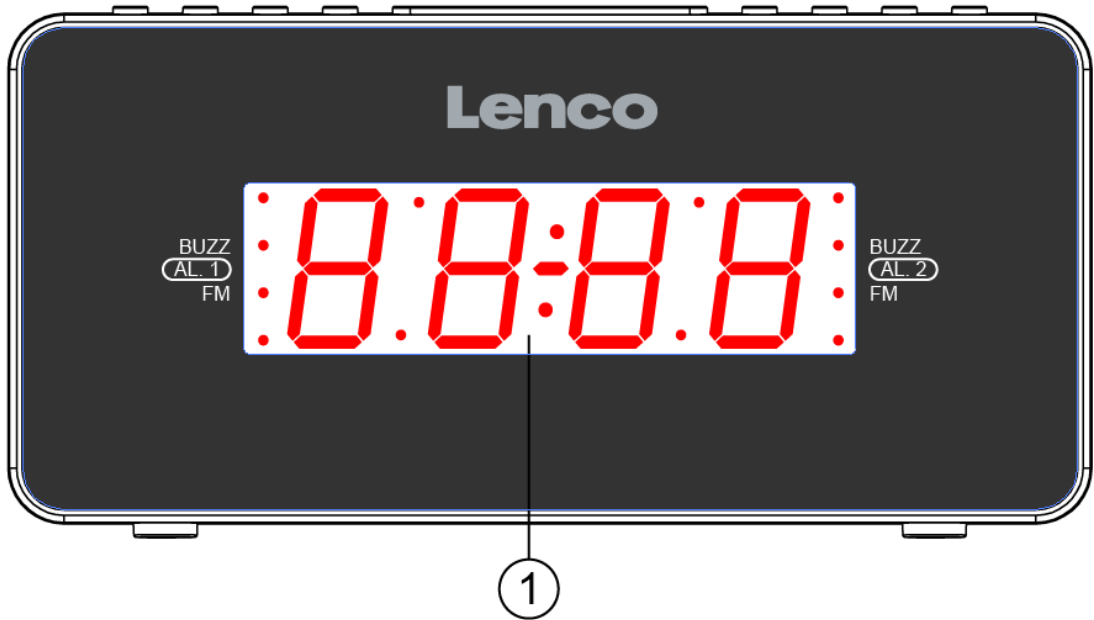
- Unpack all parts and remove protective material.
- Do not connect the unit to the mains before checking the mains voltage and before all other connections have been made.
- Do not cover any vents and make sure that there is a space of several centimeters around the unit for ventilation.



1. CLOCK/MEM Button.  
Clock set/Memory
2. DIM Button.  
Select the dimmer level (middle-low-high)
3. HOUR/SKIP-Button  
Hour set and Frequency -/Storage stations-
4. MIN/Skip+ Button.  
Minute set and Frequency +/Storage stations
5. SNOOZE SLEEP Button.
6. AL1/VOL- Button.  
Alarm 1 set/Volume down
7. AL2/VOL+ Button.  
Alarm 2 set/Volume up.
8. FUNC AUTO-SCAN Button.
9. AL.OFF POWER Button.



1. AC Power Cord.
2. Battery Door
3. AUX IN Jack
4. FM wire antenna



1 LED display.

## **SET TIME/YEAR/MONTH/DAY**

1. Power on the unit, the display will be blinking, now into the TIME SET mode, press [HOUR/SKIP-] button to set the hour, press [MIN/SKIP+] button to set the minutes, press [CLOCK/MEM.] button confirm the time set then into the YEAR SET mode (year range: 2017-2099), press [HOUR/SKIP-] button decrease the year, press [MIN/SKIP+] button increase the year, press [CLOCK/MEM.] button confirm the year set then into the MONTH/DAY SET mode, press [HOUR/SKIP-] button increase the month and press [MIN/SKIP+] button increase the day, press [CLOCK/MEM.] button confirm the month/day set then exit the time set mode. The unit will auto-exit the set mode if you not press any buttons for 5 seconds
2. Under standby mode, press and hold [CLOCK/MEM.] button for 2-3 seconds, the LED will start blinking, the unit enters time set mode. Setting method same as above

## **ALARM SET**

1. Under standby mode, press and hold [AL.1/VOL-] button, the "AL.1-BUZZ" indicator and time will be blinking, the default alarm time is 08:00AM, press [HOUR/SKIP-] button adjust the hour, press [MIN/SKIP+] button adjust the minute, press [AL.1/VOL-] button confirm the set then into the repeat date set, press [HOUR/SKIP-] button and [MIN/SKIP+] button can select "WEEK 1-7", "WEEK 1-5", "WEEK 6-7", press [AL.1/VOL-] button confirm the date set then into volume set, press [HOUR/SKIP-] button and [MIN/SKIP+] button can select "0-16" volume levels (the default volume is 10 level), press [AL.1/VOL-] button confirm the volume set then exit the set mode, the alarm will be activated when time out.  
Remark: Can only have the volume set when alarm the radio, no volume set when alarm BUZZ, the volume can't gradually increase when alarm BUZZ, but volume can gradually increase from 0 level to the set volume level when alarm radio
2. Under standby mode, press [AL.1/VOL-] button can select BUZZER→RADIO→ALM OFF. If you not press the [AL.1/VOL-] button for 5 seconds, the unit will auto confirm the alarm and exit the set mode
3. When the alarm is activated, if not press any buttons, the alarm will auto-stop after continued for 1 hour, press [AL. OFF/POWER] button can turn off the alarm. The related indicator will be blinking when the alarm is activated
4. Alarm 2 set same as Alarm 1

## **SNOOZE FUNCTION**

When alarm is activated, press [SNOOZE/SLEEP] button into snooze mode, the alarm will be activated again after 9 minutes, continued for 60 minutes, press [AL. OFF/POWER] button to turn off the alarm



## **RADIO MODE**

1. Press [AL. OFF/POWER] button turn on the unit, the "FM" is the default mode
2. Manual searching: short press [HOUR/SKIP-] button or [MIN/SKIP+] button can manual adjust the FM stations
3. Auto-searching: press and hold the [HOUR/SKIP-] button or [MIN/SKIP+] button can auto adjust the FM stations
4. Memory obtain the stations: short press [CLOCK/MEM.] button to callout the pre-set station, the display will show "P01", press [CLOCK/MEM.] button again can callout the next pre-set station, also you can press [HOUR/SKIP-] button or [MIN/SKIP+] button select the pre-set stations. The display will show station frequency 5 seconds later, will exit the time display if not press any buttons for 5 seconds
5. Storage the stations: select the station which you need stored, press and hold [CLOCK/MEM.] button for 2-3 seconds, "P01" on LED display will blinking, press [HOUR/SKIP-] button or [MIN/SKIP+] button to select the stored position, press [CLOCK/MEM.] button to confirm

## **AUTO POWER OFF (SLEEP MODE)**

Under power on mode, press [SNOOZE/SLEEP] button, LED will show "10", you can continued press [SNOOZE/SLEEP] button to select sleep time from "10→20→30→40→50→60→70→80→90→OFF", 5 seconds after you set the sleep time, will auto confirm the set and activate the AUTO POWER OFF function. If you need power off midway, press the [AL. OFF/POWER] button; check or change the auto power off time, after activate the auto power off function, press [SNOOZE/SLEEP] button again, the LED will show the rest auto power off time, press [SNOOZE/SLEEP] button again can select the next level auto power off time (Such as: if originally you set "30", after 2 minutes, you check the LED will show the rest 28 minutes, if you press [SNOOZE/SLEEP] button again, at this time, the auto power off time will become "40"). If you need turn off the auto power off function, repeat press [SNOOZE/SLEEP] button, until the LED show "OFF"

## **VOLUME CONTROL**

Press [AL.1/VOL-] button or [AL2/VOL+] button adjust to your desired volume, the volume have total "0-16" levels, the default volume is 10 level

## **TIME BACKUP**

Install 2 pcs AAA 1, 5V batteries. In case of power failure the clock time will continue. If no backup batteries are inserted the time will recover to a blinking "12:00" or "0:00" after power failure.

## AUX MODE

Press the 'func' button to change to AUX mode, [FUNC.] button into AUX mode, connect up the external sound, the unit will play music, you can press [VOL-] button or [VOL+] button to the desired volume

## DIMMER FUNCTION

You can press the [DIM] button to select the dimmer level from "middle-low-high" level, the default dimmer is high level

	ACCESSORIES
Instruction Manual	1 pc
SPECIFICATION	
Power Source	230V~, 50Hz
Power Consumption	5W
Battery backup (batteries not included)	2 PCS UM4-AAA 1, 5V
Output power	2x1W
FM radio	87.5-108 MHz
Unit Size (W x D x H)	15.5 x 9.6 x 7.3 cm
Unit weight	0.45 kg
Working Temperature	10-40°C

- The specification presents only as a reference. The value of weight and size are approximation.
- Our product is improved ceaselessly and the specification and function may be changed without prior notice.

## Guarantee

Lenco offers service and warranty in accordance to European law, which means that in case of repairs (both during and after the warranty period) you should contact your local dealer.

Important note: It is **not** possible to send products that need repairs to Lenco directly.

Important note: If this unit is opened or accessed by a none official service center in any way, the warranty expires.

This device is not suitable for professional use. In case of professional use, all warranty obligations of the manufacturer will be void.

## Disclaimer

Updates to Firmware and/or hardware components are made regularly. Therefore some of the instruction, specifications and pictures in this documentation may differ slightly from your particular situation. All items described in this guide for illustration purposes only and may not apply to a particular situation. No legal right or entitlements may be obtained from the description made in this manual.

## Disposal of the Old Device



This symbol indicates that the relevant electrical product or battery should not be disposed of as general household waste in Europe. To ensure the correct waste treatment of the product and battery, please dispose them in accordance to any applicable local laws of requirement for disposal of electrical equipment or batteries. In so doing, you will help to conserve natural resources and improve standards of environmental protection in treatment and disposal of electrical waste (Waste Electrical and Electronic Equipment Directive).

## Service

For more information and helpdesk support, please visit [www.lenco.com](http://www.lenco.com)

Lenco Benelux BV, Thermiekstraat 1a, 6361 HB Nuth, The Netherlands

**LET OP:**

Gebruik van bedieningen of afstellingen of uitvoer van procedures anders dan gespecificeerd in deze documentatie kan leiden tot blootstelling aan schadelijke straling.

Dit apparaat dient uitsluitend te worden aangepast of gerepareerd door gekwalificeerd onderhoudspersoneel.

**VOORZORGSMAATREGELEN VOOR GEBRUIK**

---

**ONTHOUD DE VOLGENDE INSTRUCTIES:**

1. Gebruik dit apparaat niet in de buurt van water.
2. Reinig het uitsluitend met een licht vochtige doek.
3. Bedek of blokkeer de ventilatie-openingen niet. Wanneer u het apparaat op een schap plaatst, dient u 5 cm (2") vrije ruimte rondom het gehele apparaat te behouden.
4. Installeer het product volgens de meegeleverde gebruikershandleiding.
5. Nooit op de stroomadapter stappen of deze indrukken. Wees voornamelijk voorzichtig in de buurt van de stekkers en het punt waar de kabel uit het apparaat komt. Plaats geen zware voorwerpen op de stroomadapter, om beschadiging ervan te voorkomen. Houd het gehele apparaat buiten bereik van kinderen! Wanneer kinderen met de voedingskabel spelen, kunnen zij ernstig letsel oplopen.
6. Haal de stekker uit het stopcontact tijdens onweer of wanneer u deze langere tijd niet gebruikt.
7. Houd het apparaat uit de buurt van hittebronnen, zoals radiateurs, verwarmingen, kachels, kaarsen en andere hittegenererende producten.
8. Gebruik dit apparaat niet in de buurt van krachtige magnetische velden.
9. Elektrostatische ontlading kan normaal gebruik van dit apparaat verstoren. U hoeft het apparaat in dit geval slechts te resetten en opnieuw op te starten volgens de gebruikershandleiding. Wees voorzichtig tijdens bestandsoverdracht en doe dat in een omgeving zonder statische verstoringen.
10. Waarschuwing! Steek nooit een voorwerp via de ventilatie- of andere openingen in het product. Er is hoogspanning in het product aanwezig en als u er een object insteekt, kan dat een elektrische schok veroorzaken en/of kortsluiting in de interne onderdelen. Mors om dezelfde reden geen water of vloeistof op het product.
11. Gebruik het toestel niet in vochtige ruimtes, zoals badkamers, stomende keukens of in de buurt van zwembaden.
12. Gebruik dit apparaat niet wanneer condensatie kan optreden.
13. Alhoewel dit apparaat met grote zorg gefabriceerd en verschillende keren geïnspecteerd is voordat het de fabriek verlaat, is het nog steeds mogelijk dat er problemen optreden, zoals met alle elektrische apparaten. Als u rook, een overmatige hitteontwikkeling of enig ander onverwacht verschijnsel opmerkt, moet u onmiddellijk de stekker van het netsnoer uit het stopcontact halen.
14. Dit apparaat moet te allen tijde goed worden geventileerd!
15. Dit apparaat moet aangedreven worden door een voedingsbron, zoals aangegeven op het specificatieplaatje. Als u twijfelt over het type voeding dat gebruikt wordt in uw huis, raadpleeg dan a.u.b. uw dealer of plaatselijk energiebedrijf.
16. Het stopcontact moet in de buurt van de apparatuur zijn geïnstalleerd en eenvoudig te bereiken zijn.
17. Overbelast stopcontacten of verlengsnoeren niet. Overbelasting kan brand of een elektrische schok veroorzaken.
18. Apparaten met een Klasse 1 structuur dienen te worden aangesloten op een stopcontact met een beschermende aardverbinding.
19. Apparaten met een Klasse 2 structuur vereisen geen aardverbinding.
20. Houd ze uit de buurt van knaagdieren. Knaagdieren knauwen graag aan voedingskabels.
21. Houd altijd de stekker vast wanneer u deze uit het stopcontact trekt. Trek nooit aan de voedingskabel. Dit kan tot een kortsluiting leiden.
22. Vermijd om het toestel te plaatsen op een ondergrond die blootgesteld kan worden aan trillingen of schokken.
23. Om het apparaat tijdens onweer te beschermen, haalt u de netvoedingadapter uit het stopcontact.

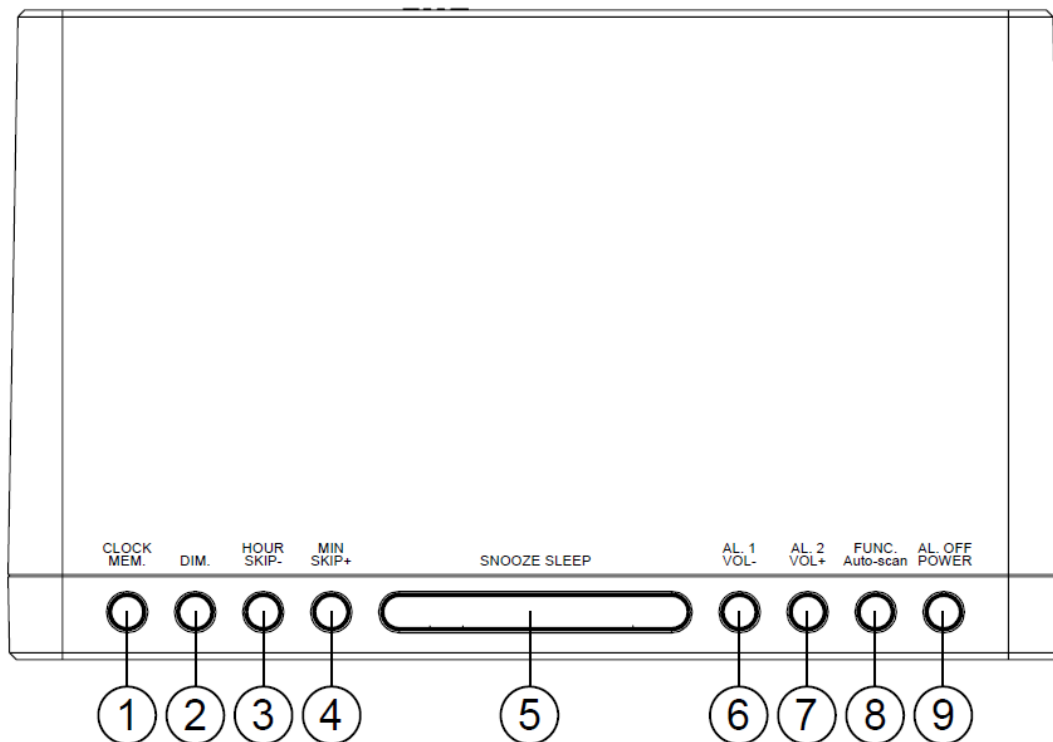
24. Wanneer het apparaat voor een lange periode niet in gebruik is, haalt u de netvoedingadapter om veiligheidsredenen uit het stopcontact.

25. Gebruik een zacht, droog doekje om het apparaat te reinigen. Gebruik geen oplosmiddelen of op benzine gebaseerde vloeistoffen. U kunt een vochtig doekje met verdund schoonmaakmiddel gebruiken om hardnekkige vlekken te verwijderen.
26. De leverancier is niet verantwoordelijk voor schade of verloren gegevens veroorzaakt door storing, misbruik, modificatie van het apparaat of batterijvervanging.
27. Onderbreek nooit de verbinding wanneer het apparaat formatteert of bestanden overdraagt. De gegevens kunnen anders corrupt of verloren raken.
28. De USB-geheugenstick dient direct in het apparaat te worden gestoken. Gebruik geen USB-verlengkabel, omdat die kan leiden tot storingen met foutieve gegevens als gevolg.
29. Het apparaat mag niet worden blootgesteld aan druppels of spatten en zorg ervoor dat er geen met vloeistof gevulde voorwerpen, zoals vazen, op of nabij het apparaat zijn geplaatst.
30. Om de verbinding met de stroomaansluiting volledig te verbreken, moet de stekker van het apparaat uit het stopcontact worden gehaald, omdat de stekker van het apparaat de hoofdschakelaar is.
31. De stekker van het apparaat mag niet worden belemmerd en moet tijdens gebruik eenvoudig toegankelijk worden gehouden.
32. Batterijen mogen niet aan overmatige hitte, zoals zonlicht, open vuur e.d. worden blootgesteld.
33. Een afstand van minimaal 10 cm rondom het apparaat is nodig voor voldoende ventilatie.
34. De ventilatie mag niet worden gehinderd door het bedekken van de ventilatieopeningen met voorwerpen zoals kranten, tafelkleden, gordijnen etc.
35. Plaats geen bronnen met een open vlam, zoals brandende kaarsen, op het apparaat.
36. Aandacht voor het milieu is nodig bij het verwijderen van de batterijen.
37. Het apparaat kan alleen worden gebruikt in gematigde klimaten. Extreem koude of warme omgevingen moeten worden vermeden.
38. Het nominale specificatielabel is te vinden op het paneel aan de onderkant van het apparaat.
39. Dit apparaat is niet bestemd voor gebruik door mensen (inclusief kinderen) met fysieke, zintuiglijke of geestelijke gebreken of gebrek aan kennis en ervaring, tenzij zij onder toezicht staan of instructies hebben over het juiste gebruik van het apparaat hebben gekregen van de persoon die verantwoordelijk is voor hun veiligheid.
40. Dit product is alleen voor huishoudelijk gebruik bedoeld en niet voor commercieel of industrieel gebruik.
41. Verzeker u ervan dat het apparaat in een stabiele positie staat opgesteld. Schade, veroorzaakt door het gebruik van dit product in een onstabiele positie, of door het niet naleven van waarschuwingen of voorzorgsmaatregelen genoemd in deze handleiding, valt niet onder de garantie.
42. Verwijder nooit de behuizing van dit apparaat.
43. Plaats dit apparaat nooit op andere elektrische apparatuur.
44. Dit product niet gebruiken of opslaan op plaatsen waar het wordt blootgesteld aan direct zonlicht, hitte, buitensporig veel stof of trillingen.
45. Reinig dit product niet met water of andere vloeistoffen.
46. Bedek of blokkeer de gleuven en de gaten in het product niet.
47. Stop geen vreemde voorwerpen in de gleuven of gaten van het product.
48. Geef kinderen geen gelegenheid in aanraking met plastic zakken te komen.
49. Controleer of de spanning op het specificatieplaatje van uw apparaat overeenkomt met het lichtnet in uw huis (specificatieplaatje is te vinden op de achterzijde van het apparaat).
50. Zorg ervoor dat niemand op de voedingskabel kan gaan staan of dat de kabel kan worden ingedrukt, voornamelijk bij stekkers, stopcontacten en het punt waar kabels uit het apparaat komen.
51. Gebruik uitsluitend uitbreidingen/accessoires gespecificeerd door de fabrikant.
52. Laat alle reparaties over aan gekwalificeerd onderhoudspersoneel. Onderhoud is vereist als het toestel hoe dan ook is beschadigd, zoals bijvoorbeeld het netsnoer of de stekker, wanneer er vloeistof of een voorwerp in het apparaat is terechtgekomen, wanneer het apparaat is blootgesteld aan regen of vocht, als het niet normaal werkt of is gevallen.
53. Gebruik nooit een beschadigde voedingskabel of stekker of een los stopcontact. Dit vormt namelijk een risico op brand of elektrische schokken.

Waarschuwing: Langdurige blootstelling aan luid geluid van persoonlijke muzikspelers kan leiden tot tijdelijke of permanente gehoorbeschadiging.

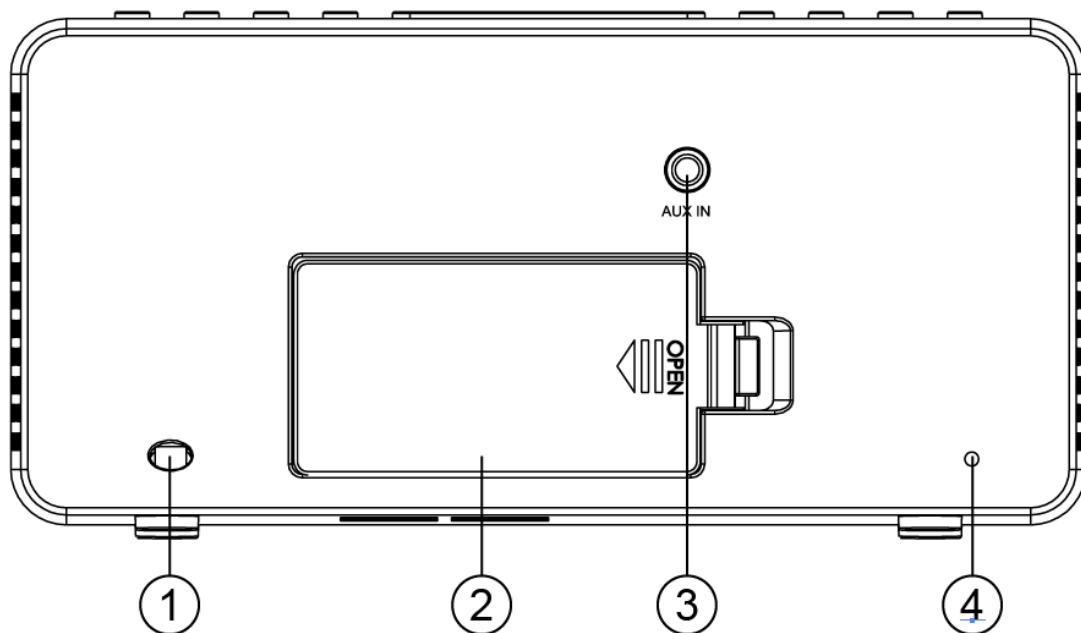
## **INSTALLATIE**

- Pak alle onderdelen uit en verwijder de beschermende materialen.
- Sluit het apparaat niet aan op het stopcontact, voordat u de netspanning hebt gecontroleerd en voordat alle andere aansluitingen zijn gemaakt.
- Bedek geen van de ventilatieopeningen en zorg voor enkele centimeters vrije ruimte rondom het apparaat voor ventilatie.

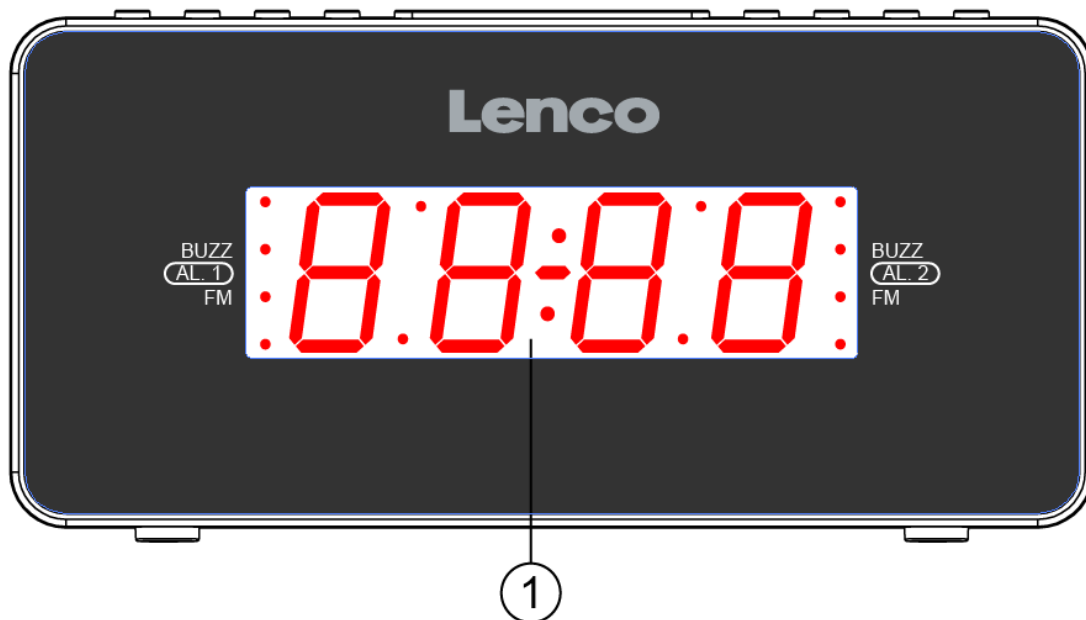


1. Toets KLOK/GEHEUGEN  
Klokinstelling/Geheugen
2. Toets DIMMER  
Het dimmerniveau selecteren (midden-laag-hoog)
3. Toets UUR/VORIGE-  
Uurinstelling en Frequentie -/Stations opslaan-
4. Toets MINUUT/Volgende+  
Minuutinstelling en Frequentie +/Stations opslaan
5. Toets SLUIMER SLAAP
6. Toets AL1/VOL-  
Alarm 1 instellen/Volume verlagen
7. Toets AL2/VOL+  
Alarm 2 instellen/Volume verhogen
8. Toets FUNCTIE AUTO-SCAN
9. Toets AL.UIT AAN-UIT





1. Netsnoer.
2. Batterijdekseltje
3. AUX-ingang
4. FM-draadantenne



1 Ledscherm.

## TIJD/JAAR/MAAND/DAG INSTELLEN

1. Schakel het apparaat en de display zal beginnen te knipperen. Druk in de modus TIJDINSTELLING op de toets [HOUR/SKIP-] om de uren in te stellen, druk op de toets [MIN/SKIP+] om de minuten in te stellen en druk op de toets [CLOCK/MEM.] om de tijdstelling te bevestigen. Het apparaat schakelt nu op de modus JAARINSTELLING (jarenbereik: 2017-2099), druk op de toets [HOUR/SKIP-] om het jaar te verlagen, druk op de toets [MIN/SKIP+] om het jaar te verhogen, druk op de toets [CLOCK/MEM.] om de jaarinstantelling te openen en de modus MAAND-/DAGINSTELLING te openen. Druk op de toets [HOUR/SKIP-] om de maand te verlagen, druk op de toets [MIN/SKIP+] om de dag te verhogen en druk op de toets [CLOCK/MEM.] om de maand-/daginstelling te bevestigen en de tijdstellingen vervolgens te verlaten. Het apparaat zal de instellingsmodus automatisch verlaten als u 5 seconden lang op geen enkele toets drukt
2. Houd in stand-by de toets [CLOCK/MEM.] 2-3 seconden ingedrukt; de LED zal beginnen te knipperen en het apparaat zal de tijdstellingen openen. De instellingsmethode is hetzelfde als die hierboven

## ALARMINSTELLING

1. Houd in stand-by de toets [AL.1/VOL-] ingedrukt en de indicator "AL.1-BUZZ" en tijd zullen beginnen te knipperen. De standaard alarmtijd is 08:00u. Druk op de toets [HOUR/SKIP-] om de uren aan te passen, druk op de toets [MIN/SKIP+] om de minuten aan te passen en druk op de toets [AL.1/VOL-] om de instelling te bevestigen en de herhaalinstelling van het alarm te openen. Druk op de toetsen [HOUR/SKIP-] en [MIN/SKIP+] om "WEEK 1-7", "WEEK 1-5" of "WEEK 6-7" te selecteren en druk op de toets [AL.1/VOL-] om de herhaalinstelling te bevestigen en de volume-instelling te openen. Druk op de toetsen [HOUR/SKIP-] en [MIN/SKIP+] om het volumenniveau in te stellen op "0-16" (het standaard volume is niveau 10) en druk op de toets [AL.1/VOL-] om de volume-instelling te bevestigen en de instellingsmodus te verlaten. Het alarm zal nu klinken wanneer de ingestelde tijd is bereikt. Opmerking: Het alarmvolume kan alleen worden aangepast wanneer het alarm op radiomodus is ingesteld; er is geen volume-instelling voor het zoemalarm (BUZZ). Het volume voor het zoemalarm (BUZZ) kan niet geleidelijk verhogen, maar het alarmvolume wanneer ingesteld op radiomodus kan geleidelijk verhogen vanaf niveau 0 tot het ingestelde volumenniveau
2. Druk in stand-by op de toets [AL.1/VOL-] om BUZZER→RADIO→ALM OFF (zoemer→radio→alarm uit) te selecteren. Als u 5 seconden lang niet op de toets [AL.1/VOL-] drukt, dan zal het apparaat het alarm automatisch bevestigen en de instellingsmodus verlaten
3. Wanneer het alarm klinkt en u drukt op geen enkele toets, dan zal het alarm 1 uur blijven klinken en vervolgens automatisch stoppen. U kunt het alarm uitschakelen door op de toets [AL. OFF/POWER] te drukken. De gerelateerde indicator zal knipperen wanneer het alarm is geactiveerd
4. De instelling van alarm 2 verloopt hetzelfde als die voor alarm 1

## SLUIMERFUNCTIE

Wanneer het alarm klinkt, dan kunt u op de toets [SNOOZE/SLEEP] drukken om de sluimermodus te openen. Het alarm zal vervolgens na 9 minuten weer klinken en u kunt deze functie 60 minuten blijven herhalen. Druk op de toets [AL. OFF/POWER] om het alarm uit te schakelen

## RADIOMODUS

1. Druk op de toets [AL. OFF/POWER] om het apparaat in te schakelen; de standaard modus is "FM"
2. Handmatige scan: druk kort op de toets [HOUR/SKIP-] of [MIN/SKIP+] om handmatig af te stemmen op FM-stations
3. Automatische scan: houd de toets [HOUR/SKIP-] of [MIN/SKIP+] ingedrukt om automatisch af te stemmen op FM-stations
4. Stations in het geheugen herroepen: druk kort op de toets [CLOCK/MEM.] om een eerder opgeslagen station te herroepen; de display zal "P01" tonen. Druk nogmaals op de toets [CLOCK/MEM.] om het volgende opgeslagen station te herroepen. U kunt ook op de toets [HOUR/SKIP-] of [MIN/SKIP+] drukken om de stationsgeheugens te selecteren. De display zal de stationsfrequentie 5 seconden later weergeven en de tijdweergave zal worden verlaten als u 5 seconden op geen enkele toets drukt
5. Stations opslaan: selecteer het station dat u wilt opslaan en houd de toets [CLOCK/MEM.] 2-3 seconden ingedrukt; "P01" zal op de LED-display knipperen. Druk nu op de toets [HOUR/SKIP-] of [MIN/SKIP+] om een opslagpositie te selecteren en druk ter bevestiging op de toets [CLOCK/MEM.]

## AUTOMATISCH UITSCHAKELEN (SLAAPMODUS)

Druk in ingeschakelde modus op de toets [SNOOZE/SLEEP] en de LED zal "10" weergeven. U kunt nu meerdere keren op de toets [SNOOZE/SLEEP] drukken om de slaaptijd in te stellen op "10→20→30→40→50→60→70→80→90→UIT", 5 seconden nadat de slaaptijd is ingesteld zal de instelling automatisch worden bevestigd en wordt de functie AUTOMATISCH UITSCHAKELEN geactiveerd. U kunt de functie eventueel in de tussentijd ook uitschakelen door op de toets [AL. OFF/POWER] te drukken; controleer of verander de automatische uitschakeltijd na de automatische uitschakelfunctie te activeren. Druk nogmaals op de toets [SNOOZE/SLEEP] en de LED zal de resterende automatische uitschakeltijd weergeven. Druk nog een keer op de toets [SNOOZE/SLEEP] om het volgende niveau voor de automatische uitschakeltijd te selecteren (bijvoorbeeld: wanneer aanvankelijk ingesteld op "30", dan kunt u na 2 op de LED zien dat de resterende tijd 28 minuten is. Als u nu nogmaals op de toets [SNOOZE/SLEEP] drukt, dan zal de automatische uitschakeltijd "40" worden). Als u de automatische uitschakelfunctie wilt uitschakelen, druk dan meerdere keren op de toets [SNOOZE/SLEEP] totdat de LED "OFF" (Uit) toont

## VOLUMEREGELING

Druk op de toets [AL.1/VOL-] of [AL2/VOL+] om het volume naar wens in te stellen. Het volume heeft in totaal "0-16" niveaus en het standaard volume is niveau 10

## TIJDBACK-UP

Installeer 2 stuks type AAA 1,5V batterijen. De klok zal in het geval van stroomuitval door blijven lopen. Als er geen back-upbatterijen zijn geplaatst, dan zal de tijd na een stroomuitval terugkeren naar een knipperende of "12:00" of "0:00".

## AUX-MODUS

Druk op de toets [FUNC.] om de AUX-modus en sluit een externe audiobron aan om via dit apparaat de muziek af te spelen. U kunt met de toets [VOL-] of [VOL+] het gewenste volume instellen

## DIMMERFUNCTIE

U kunt op de toets [DIM] drukken om het dimmerniveau in te stellen op "midden-laag-hoog". Het standaard dimmerniveau is "hoog"

	ACCESSOIRES
Handleiding	1 st
	SPECIFICATIE
Voedingsbron	230V~, 50Hz
Stroomverbruik	5 W
Back-upbatterij (batterijen niet inbegrepen)	2 stuks UM4-AAA 1,5V
Totaal vermogen	2x1W
FM-radio	87,5-108 MHz
Afmetingen (B x D x H)	15,5 x 9,6 x 7,3 cm
Gewicht van het apparaat	0,45 kg
Gebruikstemperatuur	10-40 °C

- De specificatie fungeert alleen als een referentie. Het gewicht en de afmetingen zijn gemiddelden.
- Ons product wordt continu verbeterd en de specificaties en functies kunnen zonder voorafgaande kennisgeving aangepast worden.

## Garantie

Lenco biedt service en garantie aan overeenkomstig met de Europese wetgeving. Dit houdt in dat u, in het geval van reparaties (zowel tijdens als na de garantieperiode), uw lokale handelaar moet contacteren.

Belangrijke opmerking: Het is **niet** mogelijk om producten die moeten worden gerepareerd rechtstreeks naar Lenco te sturen.

Belangrijke opmerking: De garantie verloopt als een onofficieel servicecenter het apparaat op wat voor manier dan ook heeft geopend, of er toegang toe heeft gekregen.

Het apparaat is niet geschikt voor professioneel gebruik. In het geval van professioneel gebruik worden alle garantieverplichtingen van de fabrikant nietig verklaard.

## Disclaimer

Er worden regelmatig updates in de firmware en/of hardwarecomponenten gemaakt. Daardoor kunnen gedeelten van de instructie, de specificaties en afbeeldingen in deze documentatie enigszins verschillen van uw eigen situatie. Alle onderwerpen die staan beschreven in deze handleiding zijn bedoeld als illustratie en zijn niet van toepassing op specifieke situaties. Aan de beschrijving in dit document kunnen geen rechten worden ontleend.

Afvoer van het oude apparaat



Dit symbool geeft aan dat het betreffende elektrische product of de accu/batterij niet mag worden verwijderd als algemeen huishoudelijk afval in Europa. Zorg voor een juiste afvalverwerking door het product en de accu/batterij in overeenstemming met alle van toepassing zijnde lokale wetten voor het verwijderen van elektrische apparatuur of accu's/batterijen te verwijderen. Als u dit doet, helpt u de natuurlijke hulpbronnen te behouden en de standaard van milieubescherming te verbeteren bij de behandeling en verwijdering van elektrisch afval (Afgedankte Elektrische en Elektronische Apparatuur).

## Service

Bezoek voor meer informatie en helpdeskondersteuning [www.lenco.com](http://www.lenco.com)

Lenco Benelux BV, Thermiekstraat 1a, 6361 HB, Nuth, Nederland.

**ACHTUNG:**

Die zweckentfremdete Bedienung, Benutzung oder Einstellung der Prozeduren kann zu gefährlichen Unfällen durch Strahlen führen.

Dieses Gerät darf außer von qualifizierten Fachleuten von niemand anderem repariert oder eingestellt werden.

**VORSICHTSMASSNAHMEN VOR DER BENUTZUNG**

---

**BEFOLGEN SIE IMMER FOLGENDE ANWEISUNGEN:**

1. Benutzen Sie das Gerät nicht in der Nähe von Wasser.
2. Benutzen Sie zur Reinigung ein nur leicht befeuchtetes Tuch.
3. Blockieren Sie keine Lüftungsöffnungen. Wenn Sie das Gerät auf ein Regal stellen, lassen Sie um das gesamte Gerät 5 cm (2") freien Platz.
4. Stellen Sie das Gerät entsprechend den Anweisungen der mitgelieferten Bedienungsanleitung auf.
5. Treten Sie nicht auf das Netzteil und klemmen Sie es auch nicht ein. Seien Sie im näheren Bereich des Steckers und der Herausführungen des Kabels besonders vorsichtig. Stellen Sie keine schweren Gegenstände auf das Netzteil, weil es dadurch beschädigt werden könnte. Halten Sie das gesamte Gerät außerhalb der Reichweite von Kindern! Durch Spielen mit dem Netzkabel können sie sich ernsthafte Verletzungen zuziehen.
6. Trennen Sie das Gerät während eines Gewitters oder bei längerer Nichtbenutzung vom Netz.
7. Halten Sie das Gerät von Hitzequellen wie Radiatoren, Heizern, Öfen, Kerzen oder anderen hitzeerzeugenden Gegenständen fern.
8. Meiden Sie bei der Nutzung des Produkts die Nähe starker Magnetfelder.
9. Elektrostatische Entladungen können die normale Verwendung von diesem Gerät stören. Sollte dies geschehen, führen Sie einfach einen Reset aus und starten Sie dann das Gerät entsprechend den Anweisungen dieser Bedienungsanleitung neu. Gehen Sie besonders bei Datenübertragungen mit dem Gerät vorsichtig um und führen Sie diese nur in einer antielektrostatischen Umgebung aus.
10. Warnung! Niemals Gegenstände durch die Lüftungsschlitze oder Öffnungen in das Gerät stecken. Im Gerät sind hohe Spannungen vorhanden und das Einführen von Gegenständen kann zu Stromschlag bzw. zu Kurzschlüssen der internen Teile führen. Aus dem gleichen Grund kein Wasser oder Flüssigkeiten in das Gerät geben.
11. Benutzen Sie das Gerät nicht in nasser oder feuchter Umgebung wie Bad, Dampfküche oder in der Nähe von Schwimmbecken.
12. Benutzen Sie das Gerät nicht bei Kondensationsgefahr.
13. Obwohl dieses Gerät unter größter Sorgfalt und vor Auslieferung mehrmals überprüft wurde, können trotzdem wie bei jedem anderen elektrischen Gerät auch Probleme auftauchen. Trennen Sie das Gerät im Falle einer Rauchentwicklung, starker Hitzeentwicklung oder jeden anderen unnatürlichen Erscheinung sofort vom Netz.
14. Das Gerät muss immer gut belüftet sein!
15. Dieses Gerät ist durch eine Stromquelle wie auf dem Typenschild angegeben zu betreiben. Halten Sie bei Unsicherheiten über die Art Ihrer Stromversorgung in Ihrer Wohnung Rücksprache mit Ihrem Händler oder Ihrer Stromzuliefererfirma.
16. Die Wandsteckdose muss sich in der Nähe des Geräts befinden und einfach zu erreichen sein.
17. Steckdosen und Verlängerungsleitungen nicht überlasten. Eine Überlastung kann zu Brandgefahr bzw. Stromschlägen führen.
18. Geräte der Schutzklasse 1 sind an eine Netzsteckdose mit Schutzleiter anzuschließen.
19. Geräte der Schutzklasse 2 benötigen keinen Schutzleiteranschluss.
20. Halten Sie Nagetiere vom Gerät fern. Nagetiere lieben es, am Netzkabel zu nagen.
21. Halten Sie den Netzstecker in der Hand, wenn Sie ihn aus der Netzsteckdose ziehen. Ziehen Sie ihn nicht durch Zерren am Kabel heraus. Das kann zu einem Kurzschluss führen.
22. Vermeiden Sie es, das Gerät auf Oberflächen aufzustellen, die zu Schwingungen oder Stoß neigen.
23. Trennen Sie bei Gewitter den Netzadapter vom Stromnetz, um das Gerät zu schützen.

24. Wenn das Gerät für längere Zeit nicht verwendet wird, sollte die Stromversorgung aus Sicherheitsgründen unterbrochen werden.
25. Benutzen Sie zur Reinigung ein nur leicht befeuchtetes Tuch. Benutzen Sie niemals Lösungsmittel oder Flüssigkeiten auf Ölbasis. Benutzen Sie zum Entfernen hartnäckiger Flecken ein feuchtes Tuch mit mildem Reinigungsmittel.
26. Der Hersteller haftet nicht für Schäden oder Verluste durch Fehlfunktion, Zweckentfremdung oder Modifikation des Geräts oder durch Wechseln der Batterien.
27. Unterbrechen Sie die Verbindung nicht während einer Formatierung oder einer Datenübertragung. Bei Unterbrechung drohen Datenverlust und Datenbeschädigung.
28. USB-Sticks sind direkt mit dem Gerät zu verbinden. Verwenden Sie kein USB-Verlängerungskabel, weil die erhöhte Störungsanfälligkeit zu Datenverlust führen könnte.
29. Das Gerät darf weder Tropf- noch Spritzwasser ausgesetzt werden und es dürfen keine mit Flüssigkeit gefüllten Behälter wie z.B. Vasen auf das Gerät oder in der Nähe des Gerätes gestellt werden.
30. Um das Gerät vollständig vom Netz zu trennen, muss der Netzstecker des Gerätes vom Stromnetz getrennt werden, wobei die zu trennende Einheit den Netzstecker des Gerätes bezeichnet.
31. Der Netzstecker darf nicht blockiert werden und muss während des bestimmungsgemäßen Gebrauchs immer leicht erreichbar sein.
32. Die Batterie darf keiner extremen Hitze wie z.B. Sonnenschein, Feuer o.ä. ausgesetzt werden.
33. Für eine ausreichende Kühlung des Geräts ist um dieses herum mindestens ein Freiraum von 10 cm zu lassen.
34. Die Ventilation darf nicht durch Abdecken der Ventilationsöffnungen durch Gegenstände wie Zeitungen, Tischdecken, Gardinen o.ä. behindert werden.
35. Stellen Sie kein offenes Feuer wie z.B. angezündete Kerzen auf das Gerät.
36. Bei der Batterieentsorgung sind die Entsorgungsvorschriften einzuhalten.
37. Das Gerät kann nur bei moderaten Temperaturen verwendet werden. Eine Nutzung in extrem kalten oder heißen Umgebungen sollte vermieden werden.
38. Das Typenschild befindet sich an der Unterseite des Geräts.
39. Dieses Gerät ist nicht zur Benutzung durch Personen (auch Kinder) mit physischen, sensorischen oder mentalen Beeinträchtigungen oder ohne ausreichender Erfahrung vorgesehen, es sei denn, sie werden durch eine verantwortliche Person beaufsichtigt oder wurden in die ordnungsgemäße Bedienung des Gerätes durch eine für ihre Sicherheit verantwortlichen Person eingewiesen.
40. Dieses Produkt ist nur für den Hausgebrauch und nicht für gewerbliche oder industrielle Zwecke bestimmt.
41. Stellen Sie sicher, dass das Gerät in einer stabilen Position aufgestellt ist. Schäden, die durch Verwendung dieses Produkts in einer instabilen Position oder durch Nichtbeachtung der anderen in diesem Handbuch enthaltener Warnungen und Vorwarnung entstehen, werden nicht durch die Garantie abgedeckt.
42. Entfernen Sie niemals das Gehäuse dieses Geräts.
43. Stellen Sie dieses Gerät niemals auf andere elektrische Geräte.
44. Verwenden oder bewahren Sie dieses Produkt nicht an Orten auf, in denen es direkter Sonneneinstrahlung, Hitze, übermäßigem Staub oder Vibration ausgesetzt ist.
45. Reinigen Sie dieses Produkt nicht mit Wasser oder anderen Flüssigkeiten.
46. Blockieren Sie nicht die Schlitze und Öffnungen in dieses Produkts.
47. Schieben Sie keine Fremdkörper in die Schlitze und Öffnungen in dieses Produkts.
48. Ermöglichen Sie Kindern nicht den Zugriff auf Plastiktüten.
49. Vergewissern Sie sich, dass die Spannungsangaben auf dem Typenschild des Geräts mit der Spannungsversorgung in Ihrem Haushalt übereinstimmen (Das Typenschild befindet sich an der Rückseite des Geräts).
50. Verhindern Sie, dass das Netzkabel eingequetscht oder darauf getreten wird, insbesondere an den Steckern, Steckdosen und der Stelle, an der das Kabel aus dem Gerät austritt.
51. Benutzen Sie nur vom Hersteller empfohlene Erweiterungen/Zubehörteile.
52. Sprechen Sie alle Eingriffe mit qualifiziertem Fachpersonal ab. Eingriffe werden notwendig, wenn das Gerät in irgendeiner Weise beschädigt wurde, beispielsweise am Netzkabel oder am Netzstecker oder wenn Flüssigkeit in das Gerät gelangt ist bzw. Gegenstände in das Gerät gefallen sind, das Gerät Regen oder Feuchtigkeit ausgesetzt war, es heruntergefallen ist oder nicht ordnungsgemäß funktioniert.

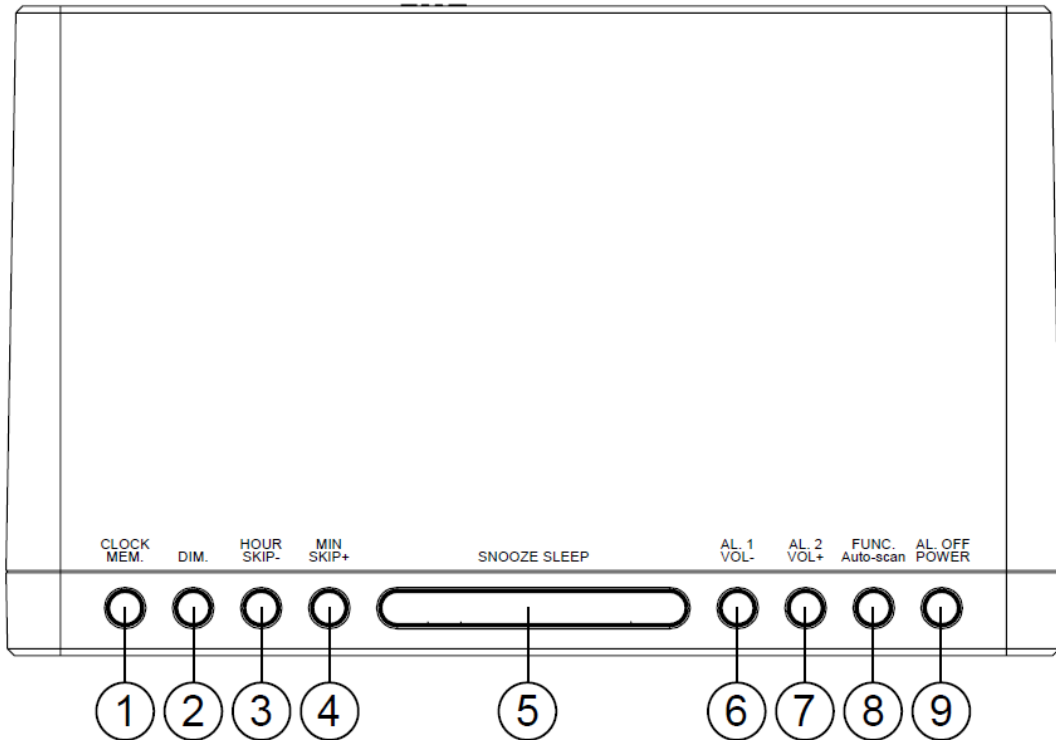


53. Verwenden Sie weder ein beschädigtes Netzkabel noch einen beschädigten Stecker oder eine lockere Steckdose. Es besteht Brand- und Stromschlaggefahr.

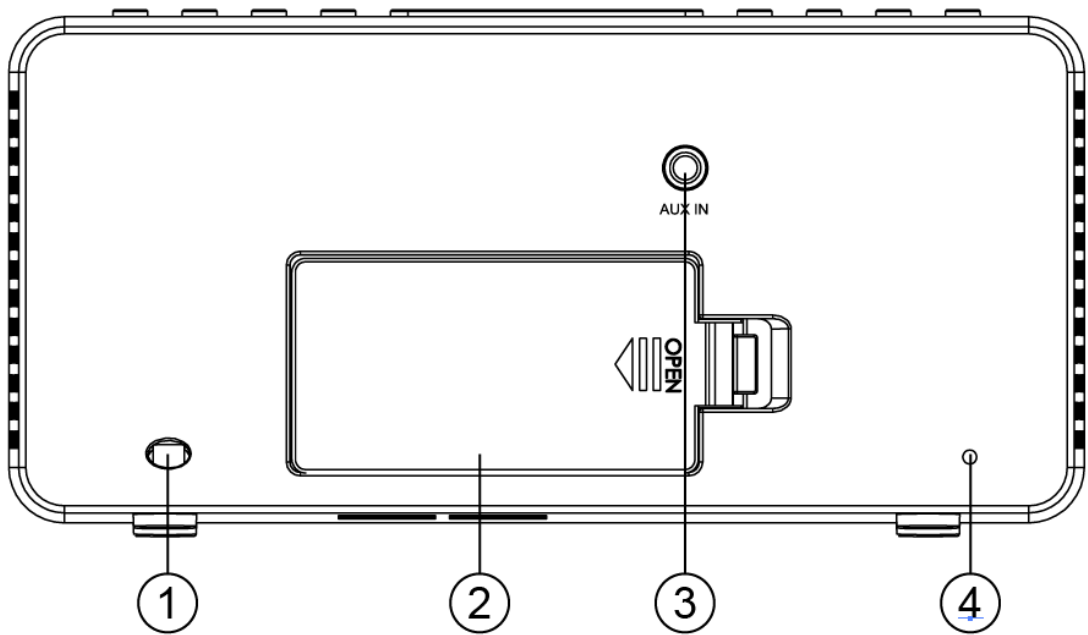
Warnung: Längeres Hören lauter Töne aus einem Musikgerät kann zum zeitweiligen oder permanenten Hörverlust führen.

#### **AUFBAU**

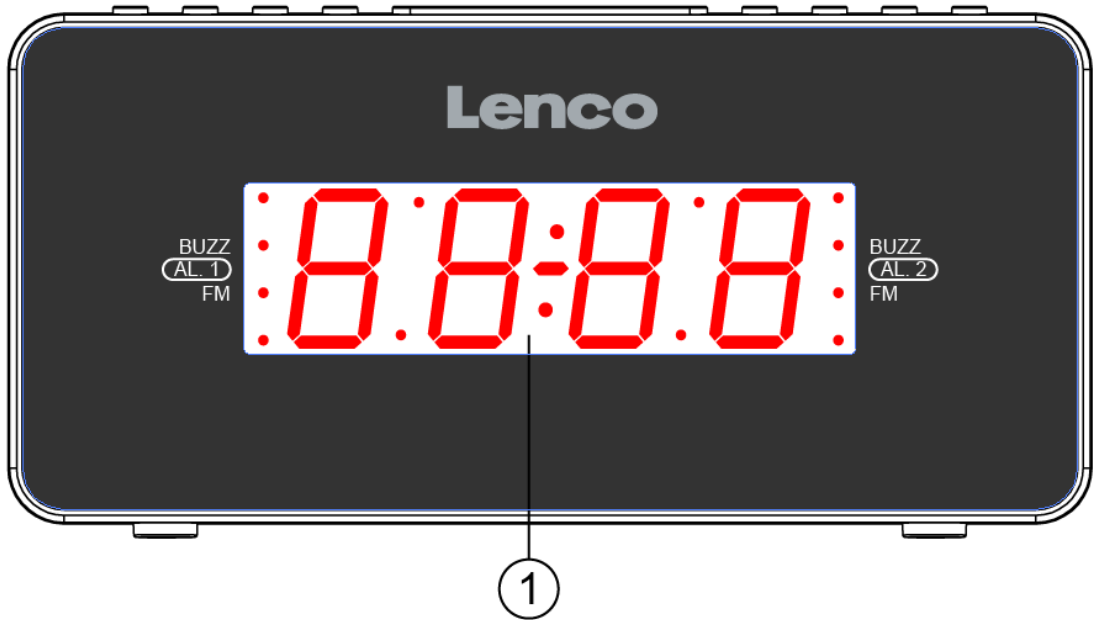
- Packen Sie alle Teile aus und entfernen Sie danach die Schutzmaterialien.
- Schließen Sie das Gerät nicht eher an das Netz an, bevor Sie die Netzspannung überprüft haben und alle anderen notwendigen Verbindungen hergestellt sind.
- Bedecken Sie die Lüftungsschlitze nicht und vergewissern Sie sich, dass um das Gerät herum einige cm Platz für die Kühlung gelassen wurden.



1. Taste CLOCK/MEM.  
Einstellen der Uhr/Speicherfunktion
2. Taste DIM.  
Auswählen der Dimmerstufe (mittel-niedrig-hoch)
3. Taste HOUR/SKIP-  
Einstellen von Stunde und Frequenz -/Speichern von Sendern-
4. Taste MIN/SKIP+  
Einstellen von Minute und Frequenz +/Speichern von Sendern
5. Taste SNOOZE SLEEP.
6. Taste AL1/VOL-.  
Einstellen von Alarm 1/Lautstärke leiser stellen
7. Taste AL2/VOL+.  
Einstellen von Alarm 2/Lautstärke erhöhen
8. Taste FUNC AUTO-SCAN.
9. Taste AL.OFF POWER.



1. Netzkabel.
2. Batteriefachdeckel
3. AUX-IN-Buchse
4. UKW-Wurfantenne



1 LED-Display.

## EINSTELLEN VON UHRZEIT/JAHR/MONAT/TAG

1. Schalten Sie das Uhrenradio ein, das Display blinkt. Drücken Sie nun im Modus TIME SET die Taste [HOUR/SKIP-] zum Einstellen der Stunde, die Taste [MIN/SKIP+] zum Einstellen der Minuten und die Taste [CLOCK/MEM] zum Bestätigen der eingestellten Uhrzeit und gehen Sie dann in den Modus YEAR SET (Jahresbereich: 2017 - 2099), drücken Sie die Taste [HOUR/SKIP-], um zu einer niedrigeren Jahreszahl zu gelangen, drücken Sie die Taste [MIN/SKIP+], um zu einer höheren Jahreszahl zu gelangen, drücken Sie dann die Taste [CLOCK/MEM.] zum Bestätigen der eingestellten Jahreszahl und gehen Sie dann in den Modus MONTH/DAY SET. Drücken Sie hier die Taste [HOUR/SKIP-], um den Monat hochzuzählen, dann die Taste [MIN/SKIP+], um die Tage hochzuzählen. Drücken Sie die Taste [CLOCK/MEM.] zum Bestätigen der Einstellungen für Monat/Tag und verlassen Sie dann den Zeiteinstellungsmodus. Drücken Sie 5 Sekunden lang keine der Tasten, verlässt das Uhrenradio den Einstellungsmodus automatisch.
2. Drücken und halten Sie im Standby-Modus die Taste [CLOCK/MEM.] für 2 - 3 Sekunden, beginnt die LED zu blinken und das Uhrenradio geht in den Modus zum Einstellen der Uhrzeit. Die Einstellmethode entspricht der oben bereits genannten.

## ALARM EINSTELLEN

1. Drücken und halten Sie im Standby-Modus die Taste AL.1/VOL-, die Anzeige "AL.1-BUZZ" und die Uhrzeit blinken nun, die Standardalarmzeit ist 08:00AM (08:00 Uhr morgens), drücken Sie die Taste [HOUR/SKIP-] und stellen Sie die Stunde ein, drücken Sie die Taste [MIN/SKIP+] und stellen Sie die Minute ein, drücken Sie die Taste [AL.1/VOL-] zum Bestätigen der Einstellungen. Drücken Sie dann in den Einstellungen Repeat Date (Datum wiederholen) die Tasten [HOUR/SKIP-] und [MIN/SKIP+] zur Auswahl der Wochentage in "WEEK 1-7", "WEEK 1-5" oder "WEEK 6-7", drücken Sie dann die Taste [AL.1/VOL-] zum Bestätigen der Datumseinstellung und gehen Sie zur Einstellung der Lautstärke. Hier können Sie durch Drücken der Tasten [HOUR/SKIP-] und [MIN/SKIP+] eine Lautstärkestufe von "0 - 16" wählen (die Standardeinstellung ist Stufe 10). Durch Drücken der Taste [AL.1/VOL-] bestätigen Sie die eingestellte Lautstärke. Verlassen Sie dann den Einstellmodus. Der Alarm ist nach Ablauf der Zeitbeschränkung aktiviert.  
Anmerkung: Sie können die Lautstärkestufe nur während eines aktiven Alarms (das Radio hat sich eingeschaltet) einstellen. Während des Summeralarms kann die Lautstärkestufe weder eingestellt noch schrittweise angehoben werden. Die Lautstärkestufe kann während des aktiven Alarms (das Radio hat sich eingeschaltet) schrittweise von 0 bis zum eingestellten Wert angehoben werden.
2. Drücken Sie im Standby-Modus die Taste [AL.1/VOL-], Sie können dann BUZZER→RADIO→ALM OFF wählen. Drücken Sie die Taste [AL.1/VOL-] nicht für 5 Sekunden, bestätigt das Uhrenradio automatisch die eingestellte Alarmzeit und verlässt den Einstellungsmodus.
3. Ist der Alarm aktiviert und Sie drücken keine der Tasten, stoppt der Alarm automatisch, nachdem er 1 Stunde lang kontinuierlich aktiv war. Durch Drücken der Taste [AL. OFF/POWER] können Sie den Alarm ausschalten. Die entsprechende Anzeige blinkt, wenn der Alarm aktiviert ist.
4. Die Einstellung von Alarm 2 ist identisch mit der von Alarm 1.

## **SNOOZE-FUNKTION**

Ist der Alarm aktiviert, drücken Sie die Taste [SNOOZE/SLEEP] in den Snooze-Modus. Der Alarm wird nach 9 Minuten erneut aktiviert. Dies wiederholt sich 60 Minuten lang. Durch Drücken der Taste [AL. OFF/POWER] können Sie den Alarm ausschalten.

## **RADIOMODUS**

1. Drücken Sie die Taste [AL. OFF/POWER] zum Einschalten des Uhrenradios, "UKW" ist die Standardeinstellung.
2. Manueller Sendersuchlauf: Durch kurzes Drücken der Tasten [HOUR/SKIP-] oder [MIN/SKIP+] können Sie die UKW-Sender manuell einstellen.
3. Automatischer Sendersuchlauf: Durch Drücken und Halten der Tasten [HOUR/SKIP-] oder [MIN/SKIP+] können Sie die UKW-Sender automatisch einstellen.
4. Die Sender speichern: Drücken Sie kurz die Taste [CLOCK/MEM.], um die voreingestellten Sender aufzurufen, das Display zeigt "P01". Durch erneutes Drücken der Taste [CLOCK/MEM.] kann der nächste voreingestellte Sender aufgerufen werden. Sie können zur Auswahl der voreingestellten Sender auch die Tasten [HOUR/SKIP-] oder [MIN/SKIP+] drücken. 5 Sekunden später zeigt das Display die Senderfrequenz. Wird 5 Sekunden lang keine der Tasten gedrückt, wird diese Anzeige verlassen.
5. Speichern der Sender: Wählen Sie den zu speichernden Sender und drücken sowie halten Sie die Taste [CLOCK/MEM.] für 2 - 3 Sekunden. Im LED-Display blinkt nun "P01". Drücken Sie die Taste [HOUR/SKIP-] oder [MIN/SKIP+], um den Speicherplatz zu wählen. Durch Drücken von [CLOCK/MEM.] wird die Auswahl bestätigt.

## **AUTO POWER OFF (SCHLAFMODUS)**

Drücken Sie im Modus "Eingeschaltet" die Taste [SNOOZE/SLEEP], das LED-Display zeigt "10". Durch weiteres Drücken der Taste [SNOOZE/SLEEP] können Sie aus "10→20→30→40→50→60→70→80→90→OFF" die Schlafzeit wählen. 5 Sekunden, nachdem Sie die Schlafzeit eingestellt haben, wird die Einstellung automatisch bestätigt und die Funktion AUTO POWER OFF aktiviert. Falls Sie diese Funktion zwischendurch benötigen, drücken Sie die Taste [AL. OFF/POWER], überprüfen oder ändern Sie die Zeit für die Funktion Auto Power Off, drücken Sie dann die Taste [SNOOZE/SLEEP] erneut. Das LED-Display zeigt die verbleibende Auto-Power-Off-Zeit. Durch erneutes Drücken der Taste [SNOOZE/SLEEP] können Sie die nächste Stufe der Auto-Power-Off-Zeit wählen (Beispielsweise: Haben Sie ursprünglich "30" eingestellt, werden Sie sehen, dass das LED-Display nach 2 Minuten die restlichen 28 Minuten anzeigt, drücken Sie die Taste [SNOOZE/SLEEP] erneut, wird die Auto-Power-Off-Zeit dieses Mal "40" werden.). Möchten Sie die Auto-Power-Funktion ausschalten, drücken Sie wiederholt die Taste [SNOOZE/SLEEP], bis das LED-Display "OFF" anzeigt.

## LAUTSTÄRKEREGLER

Drücken Sie zum Einstellen der gewünschten Lautstärke die Taste [AL.1/VOL-] oder [AL2/VOL+]. Die Lautstärke hat Stufen "0 - 16", die Standardeinstellung ist die Stufe 10.

## ZEIT-BACKUP

Setzen Sie 2 AAA 1,5 V Batterien ein. Im Falle eines Stromausfalls läuft die Uhrzeit weiter. Sind keine Backup-Batterien eingesetzt, zeigt die Uhr nach einem Stromausfall ein blinkendes "12:00" oder "0:00".

## AUX-MODUS

Drücken Sie die Taste [FUNC.], um in den AUX-Modus zu gelangen. Schließen Sie den externen Lautsprecher an; das Uhrenradio spielt Musik über diesen Lautsprecher. Durch Drücken der Tasten [VOL-] oder [VOL+] können Sie die gewünschte Lautstärke einstellen.

## DIMMER-FUNKTION

Durch Drücken der Taste [DIM] können Sie die Dimmerstufe "mittel-niedrig-hoch" wählen, die Standardeinstellung ist die Stufe "hoch".

	ZUBEHÖR
Bedienungsanleitung	1 x
	TECHNISCHE DATEN

Stromquelle	230 V ~, 50 Hz
Leistungsaufnahme	5 W
Backup-Batterien (Batterien sind nicht enthalten)	2 UM4-AAA 1,5 V
Ausgangsleistung	2 x 1 W
UKW-Radio	87,5 – 108 MHz
Geräteabmessung (B x T x H)	15,5 x 9,6 x 7,3 mm
Gerätegewicht	0,45 kg
Betriebstemperatur	10 – 40 °C

- Diese Angaben dienen lediglich als Richtwerte. Die Gewichts- und Größenangaben sind Näherungswerte.
- Unser Produkt wird permanent weiterentwickelt und unterliegt bezüglich Spezifikationen und Funktionen stillschweigenden Änderungen.

## Garantie

Lenco bietet Leistungen und Garantien im Einklang mit Europäischem Recht. Im Falle von Reparaturen (sowohl während als auch nach Ablauf der Garantiezeit) sollten Sie deshalb Ihren Einzelhändler kontaktieren.

Wichtiger Hinweis: Es ist **nicht** möglich, Geräte für Reparaturen direkt an Lenco zu schicken.

Wichtiger Hinweis: Falls dieses Gerät von einem nicht autorisierten Kundendienst geöffnet oder darauf zugegriffen wird, erlischt die Garantie.

Dieses Gerät ist nicht für professionelle Zwecke geeignet. Falls das Gerät für professionelle Zwecke eingesetzt wird, erlöschen alle Garantieverpflichtungen seitens des Herstellers.

## Haftungsausschluss

Aktualisierungen der Firmware und/oder Hardware-Komponenten werden regelmäßig durchgeführt. Daher können einige der Anweisungen, Spezifikationen und Abbildungen in dieser Dokumentation von Ihrer individuellen Situation abweichen. Alle in diesem Handbuch beschriebenen Elemente dienen nur zur Illustration und treffen auf Ihre individuelle Situation möglicherweise nicht zu. Aus der in diesem Handbuch getätigten Beschreibung können keine Rechtsansprüche oder Leistungsanforderungen geltend gemacht werden.

Entsorgung des Altgeräts



Dieses Symbol zeigt an, dass das entsprechende Produkt oder dessen Batterie in Europa nicht mit dem normalen Hausmüll entsorgt werden darf. Um die ordnungsgemäße Abfallbehandlung des Produkts und dessen Batterie zu gewährleisten, müssen diese im Einklang mit allen anwendbaren örtlichen Vorschriften zur Entsorgung von Elektrogeräten und Batterien entsorgt werden. Dabei helfen Sie, natürliche Ressourcen zu schonen und Umweltschutzstandards zur Verwertung und Entsorgung von Altgeräten aufrecht zu halten (Waste Electrical and Electronic Equipment Directive).

## Service

Besuchen Sie bitte für weitere Informationen und unseren Kundendienst unsere Homepage [www.lenco.com](http://www.lenco.com)

Lenco Benelux BV, Thermiekstraat 1a, 6361 HB Nuth, The Netherlands.



**ATTENTION :**

L'utilisation de commandes ou de réglages ou l'exécution de procédures autres que ceux spécifiés dans ce manuel peut entraîner une exposition à des rayonnements dangereux.

Cet appareil ne doit pas être réglé ou réparé par quiconque d'autre que du personnel qualifié.

**PRÉCAUTIONS AVANT UTILISATION**

---

**GARDEZ CES INSTRUCTIONS À L'ESPRIT :**

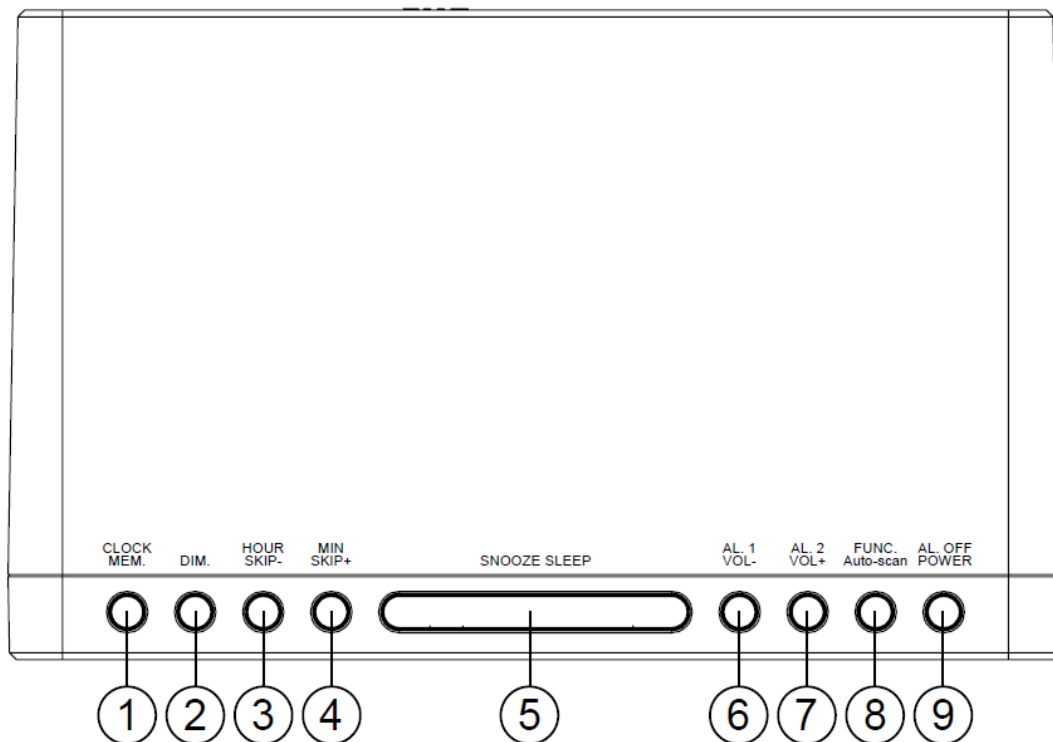
1. N'utilisez pas cet appareil près de l'eau.
2. Nettoyez-le uniquement avec un chiffon doux légèrement humide.
3. Ne couvrez pas et n'obtenez pas les ouvertures de ventilation. Lorsque vous placez l'appareil sur une étagère, laissez 5 cm (2") d'espace libre tout autour de l'appareil.
4. Installez-le conformément au mode d'emploi fourni.
5. Ne marchez pas sur l'adaptateur secteur ou ne le coincez pas. Faites très attention, en particulier près des fiches et du point de sortie du câble. Ne placez pas d'objets lourds sur l'adaptateur secteur, car ils pourraient l'endommager. Gardez l'appareil hors de portée des enfants ! Ils pourraient se blesser gravement s'ils jouent avec le câble d'alimentation.
6. Débranchez cet appareil pendant les orages ou lorsqu'il n'est pas utilisé pendant une longue durée.
7. Gardez l'appareil à l'écart des sources de chaleur comme les radiateurs, chauffages, fours, bougies et autres produits générant de la chaleur.
8. Évitez d'utiliser l'appareil à proximité de champs magnétiques puissants.
9. Des décharges électrostatiques peuvent perturber le fonctionnement normal de cet appareil. Quand cela se passe, il suffit de réinitialiser et de redémarrer l'appareil en suivant le manuel d'instructions. Pendant le transfert du fichier, manipulez l'appareil avec précaution et faites-le fonctionner dans un environnement sans électricité statique.
10. Mise en garde ! N'introduisez jamais un objet dans l'appareil par les ouvertures et les fentes de ventilation. Étant donné que des tensions élevées sont présentes à l'intérieur du produit, l'insertion un objet peut entraîner une électrocution et/ou court-circuiter les composants internes. Pour les mêmes raisons, ne versez pas de l'eau ou un liquide sur le produit.
11. Ne l'utilisez pas dans des endroits humides tels qu'une salle de bain, une cuisine pleine de vapeur ou à proximité d'une piscine.
12. N'utilisez pas cet appareil lorsque de la condensation est possible.
13. Bien que ce dispositif soit fabriqué avec le plus grand soin et contrôlé à plusieurs reprises avant de quitter l'usine, il est toujours possible que des problèmes se produisent, comme avec tous les appareils électriques. Si l'appareil émet de la fumée, une accumulation de chaleur excessive ou un phénomène inattendu, débranchez immédiatement la fiche d'alimentation du secteur.
14. Une ventilation suffisante de l'appareil doit être toujours assurée !
15. Cet appareil doit fonctionner avec la source d'alimentation indiquée sur la plaque signalétique. Si vous n'êtes pas sûr du type d'alimentation utilisé chez vous, consultez votre revendeur ou le fournisseur d'électricité local.
16. La prise secteur doit être installée près de l'appareil et doit être facilement accessible.
17. Ne surchargez pas les prises de courant ou les rallonges. Une surcharge peut entraîner un incendie ou une électrocution.
18. Les appareils à la norme de construction de classe 1 doivent être branchés à une prise de courant disposant d'une connexion protectrice à la terre.
19. Les appareils à la norme de construction de classe 2 ne nécessitent pas de connexion à la terre.
20. Tenez-le à l'abri des rongeurs. Les rongeurs adorent mordre les cordons d'alimentation.
21. Tirez toujours sur la fiche pour débrancher le cordon de la prise secteur. Ne tirez pas sur le cordon d'alimentation. Cela pourrait provoquer un court-circuit.
22. Évitez de placer l'appareil sur des surfaces sujettes aux vibrations ou aux chocs.
23. Pour protéger l'appareil en cas d'orage, débranchez le cordon d'alimentation secteur.
24. Si l'appareil n'est pas utilisé pendant une période prolongée, débranchez l'adaptateur du secteur pour des raisons de sécurité.

25. Pour nettoyer l'appareil, servez-vous d'un chiffon doux et sec. N'utilisez pas de solvant ni d'autre liquide à base de pétrole. Pour enlever les taches importantes, vous pouvez vous servir d'un chiffon humide imbibé d'une solution de détergent diluée.
26. Le fournisseur n'est pas responsable des dommages ou pertes de données causés par un dysfonctionnement, une utilisation abusive, une modification de l'appareil ou un remplacement des piles.
27. N'interrompez pas la connexion lorsque l'appareil formate ou transfère des fichiers. Sinon, les données pourraient être endommagées ou perdues.
28. La clé USB doit être branchée directement sur l'appareil. N'utilisez pas un câble d'extension USB, car cela peut causer des interférences entraînant des pertes de données.
29. L'appareil ne doit pas être exposé à des écoulements ou des éclaboussures et aucun objet contenant un liquide, tel qu'un vase, ne doit être posé sur ou près de l'appareil.
30. Pour que l'alimentation soit parfaitement déconnectée, la fiche d'alimentation de l'appareil doit être débranchée de la prise secteur.
31. La fiche de l'appareil ne doit pas être obstruée ou doit être facilement accessible pendant l'utilisation.
32. Les batterie ne doit pas être exposée à une chaleur excessive telle que la lumière du soleil, des flammes, etc.
33. Laissez un espace de 10 cm tout autour de l'appareil pour assurer une ventilation suffisante.
34. L'aération ne doit pas être bloquée en obstruant les orifices d'aération avec des objets tels que des journaux, des nappes, des rideaux, etc.
35. Ne posez pas de source de flamme nue, telle qu'une bougie allumée, sur l'appareil.
36. Veuillez considérer les questions environnementales lors de la mise au rebut des piles.
37. L'appareil doit être utilisé uniquement sous des conditions climatiques modérées, évitez un environnement extrêmement froid ou chaud.
38. La plaque signalétique se situe sous l'appareil.
39. Cet appareil n'est pas destiné à être utilisé par des personnes (enfants compris) souffrant de handicaps physiques, sensoriels ou mentaux, ou manquant d'expérience et de connaissances, sauf si elles sont sous surveillance ou ont reçu des instructions sur l'utilisation correcte de l'appareil par la personne qui est responsable de leur sécurité.
40. Cet appareil est réservé à un usage privé, et non pas à un usage commercial ni industriel.
41. Vérifiez que l'appareil est en position stable. La garantie ne couvre pas les dégâts occasionnés par l'utilisation de cet appareil en position instable ou par la non-observation de tout autre avertissement ou précaution contenus dans ce mode d'emploi.
42. Ne retirez jamais le boîtier de l'appareil.
43. Ne placez jamais cet appareil sur un autre appareil électrique.
44. N'utilisez et ne rangez pas ce produit au soleil, à la chaleur, à la poussière ou à des vibrations excessives.
45. N'utilisez pas d'eau ou d'autres liquides pour nettoyer ce produit.
46. Ne bloquez ni ne recouvrez les fentes et orifices de ce produit.
47. N'insérez pas de corps étrangers dans les fentes ni dans les trous du produit.
48. Ne laissez pas les sacs en plastique à la portée des enfants.
49. Vérifiez que la tension figurant sur la plaque signalétique de votre appareil correspond à celle de votre secteur (la plaque signalétique se situe à l'arrière de l'appareil).
50. Protégez le cordon d'alimentation (personne ne doit marcher dessus et il ne doit pas être pincé en particulier au niveau des prises), les prises de courant et le point où les prises sortent de l'appareil.
51. Utilisez uniquement les accessoires recommandés par le fabricant.
52. Confiez l'entretien et les réparations à un personnel qualifié. Une réparation est nécessaire lorsque l'appareil a été endommagé d'une quelconque façon telle qu'un cordon d'alimentation ou une prise endommagés, lorsqu'un liquide a été renversé ou des objets ont été introduits dans l'appareil, lorsque l'appareil a été exposé à la pluie ou à l'humidité, lorsqu'il ne fonctionne pas correctement ou lorsque l'appareil est tombé.
53. N'utilisez pas un cordon ou une fiche d'alimentation endommagé ni une prise desserrée. Vous risqueriez de causer un incendie ou une décharge électrique.

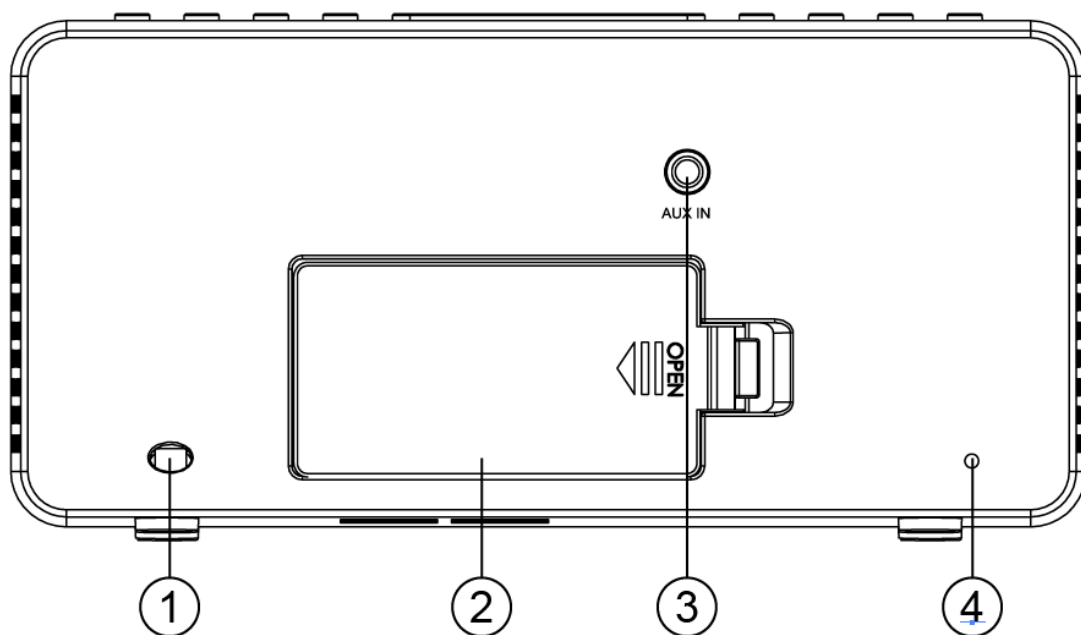
Une exposition prolongée aux sons puissants des lecteurs personnels de musique peut entraîner une perte temporaire ou permanente de l'ouïe.

## **INSTALLATION**

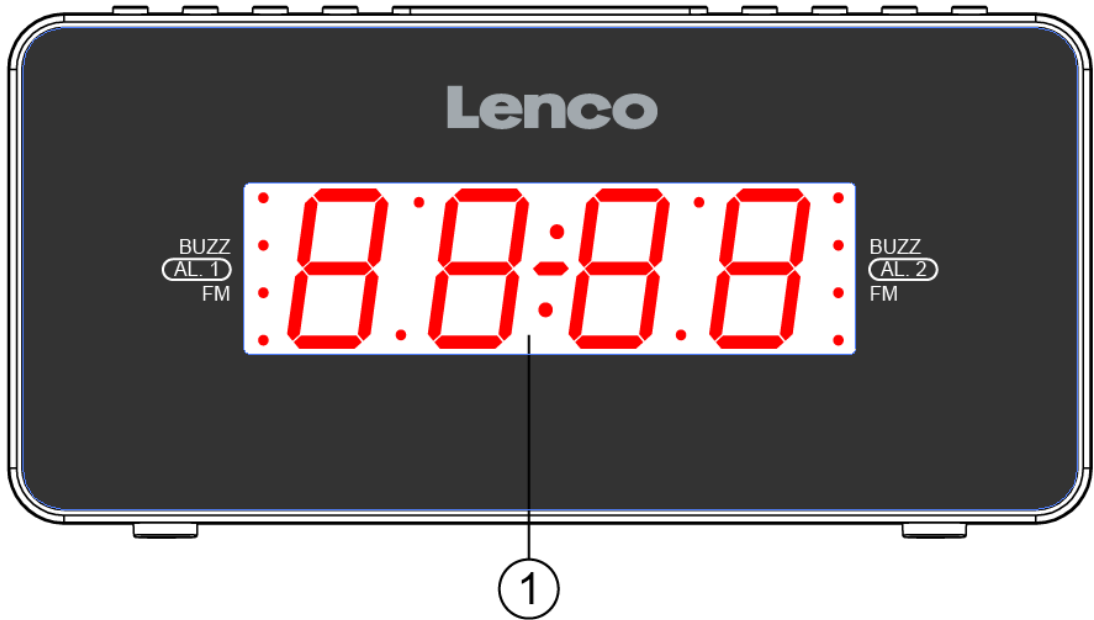
- Déballez toutes les pièces et enlevez le matériau de protection.
- Ne connectez pas l'unité au secteur avant d'avoir vérifié la tension du secteur et avant que toutes les autres connexions n'aient été effectuées.
- Ne couvrez pas les orifices de ventilation et assurez-vous qu'un espace de plusieurs centimètres est présent autour de l'appareil aux fins de l'aération.



1. Touche CLOCK/MEM.  
Réglage de l'horloge/Mémoire
2. Touche DIM.  
Sélection du niveau du rétroéclairage (moyen/faible/élevé)
3. Touche HOUR/SKIP-  
Pour régler les heures et diminuer la fréquence/Station mémorisée précédente
4. Touche MIN/Skip+.  
Réglage des minutes et fréquence+/Mémorisation des stations
5. Touche SNOOZE SLEEP.
6. Touche AL1/VOL-.  
Pour régler l'alarme 1/diminuer le volume
7. Touche AL2/VOL+.  
Pour régler l'alarme 2/augmenter le volume
8. Touche FUNC AUTO-SCAN.
9. Touche AL.OFF POWER.



1. Cordon d'alimentation secteur.
2. Cache du compartiment de la batterie
3. Prise d'entrée auxiliaire
4. Fil d'antenne FM



1 Affichage LED.

## RÉGLAGE DE L'HEURE /ANNÉE/MOIS/JOUR

1. Allumez l'appareil, l'écran se met à clignoter et passe en mode RÉGLAGE DE L'HEURE, appuyez sur [HOUR/SKIP-] pour régler les heures, appuyez sur [MIN/SKIP+] pour régler les minutes, appuyez sur [CLOCK/MEM.] pour confirmer et passer en mode RÉGLAGE DE L'ANNÉE (plage : 2017 à 2099), appuyez sur [HOUR/SKIP-] pour diminuer l'année, appuyez sur [MIN/SKIP+] pour augmenter l'année, appuyez sur [CLOCK/MEM.] pour confirmer et passer en mode RÉGLAGE DU MOINS/JOUR, appuyez sur [HOUR/SKIP-] pour augmenter le mois et appuyez sur [MIN/SKIP+] pour augmenter le jour, appuyez sur [CLOCK/MEM.] pour confirmer et quitter le mode de réglage. L'appareil quitte automatiquement le mode réglage si aucune touche n'est appuyée pendant 5 secondes
2. En mode veille, maintenez appuyée la touche [CLOCK/MEM.] pendant 2-3 secondes, le témoin se met à clignoter, l'appareil passe en mode réglage de l'heure. La méthode de réglage est identique à celle ci-dessus

## Réglage de l'alarme

1. En mode veille, appuyez sur [AL.1/VOL-], le témoin et l'heure « AL.1-BUZZ » se mettent à clignoter, l'heure d'alarme par défaut est 8h:00, appuyez sur [HOUR/SKIP-] pour régler les heures, appuyez sur [MIN/SKIP+] pour régler les minutes, appuyez sur [AL.1/VOL-] pour confirmer le réglage et passer au réglage Rappel d'alarme, utilisez [HOUR/SKIP-] et [MIN/SKIP+] pour sélectionner « SEMAINE 1-7 », « SEMAINE 1-5 », « SEMAINE 6-7 », appuyez sur [AL.1/VOL-] pour confirmer et passer au réglage du volume, utilisez [HOUR/SKIP-] et [MIN/SKIP+] pour sélectionner un niveau de volume de « 0 à 16 » (10 par défaut), appuyez sur [AL.1/VOL-] pour confirmer et quitter le mode réglage ; l'alarme sera déclenchée à l'heure définie.

Remarque : Le volume ne peut être réglé qu'en mode alarme par radio, le volume ne peut pas être réglé lorsque l'alarme est par sonnerie, le volume n'augmente pas progressivement lorsque l'alarme est par sonnerie, mais peut passer progressivement du niveau 0 au niveau de volume réglé en mode alarme par radio

2. En mode veille, appuyez sur la touche [AL.1/VOL-] pour sélectionner Sonnerie → Radio → Alarme désactivée. Si vous n'appuyez pas sur la touche [AL.1/VOL-] au bout de 5 secondes, l'appareil confirme automatiquement l'alarme et quitte le mode réglage
3. Lorsque l'alarme est activée, appuyez sur une touche quelconque, pour qu'elle s'arrête automatiquement après une heure, appuyez sur [AL OFF/POWER] pour arrêter l'alarme. Le témoin correspondant se met à clignoter lorsque l'alarme est activée
4. Le réglage de l'alarme 2 est identique à celui de l'alarme 1

## FONCTION DE RÉPÉTITION DU RÉVEIL

Lorsque l'alarme est déclenchée, appuyez sur [SNOOZE/SLEEP] pour passer en mode Rappel d'alarme, l'alarme sera à nouveau déclenchée après 9 minutes, le processus continue pendant 60 minutes, appuyez sur [AL OFF/POWER] pour arrêter l'alarme.

## MODE RADIO

1. Appuyez sur [AL OFF/POWER] pour allumer l'appareil, « FM » est le mode par défaut.
2. Recherche manuelle : utilisez [HOUR/SKIP-]/[MIN/SKIP+] pour rechercher manuellement les stations FM
3. Recherche automatique : maintenez appuyée la touche [HOUR/SKIP-] ou [MIN/SKIP+] pour rechercher automatiquement les stations FM
4. Rappel de station mémorisée : appuyez sur [CLOCK/MEM.] pour rappeler une station mémorisée, l'écran affiche « P01 », appuyez sur [CLOCK/MEM.] pour rappeler la station mémorisée suivante, vous pouvez également utiliser [HOUR/SKIP-]/[MIN/SKIP+] pour sélectionner une station mémorisée. L'écran affiche la fréquence de la station pendant 5 secondes puis passe en mode affichage de l'heure
5. Mémoriser des stations : sélectionnez une station, maintenez appuyée la touche [CLOCK/MEM.] pendant 2-3 secondes, « P01 » se met à clignoter, utilisez [HOUR/SKIP-]/[MIN/SKIP+] pour sélectionner une position mémoire, appuyez sur [CLOCK/MEM.] pour confirmer

## ARRÊT AUTOMATIQUE (MODE VEILLE AUTOMATIQUE)

En mode fonctionnement, appuyez sur [SNOOZE/SLEEP], l'écran affiche « 10 », vous pouvez continuer à appuyer sur [SNOOZE/SLEEP] pour sélectionner la durée de veille automatique « 10 → 20 → 30 → 40 → 50 → 60 → 70 → 80 → 90 → désactivé », 5 secondes après, l'appareil confirme automatiquement le réglage et active la fonction arrêt automatique. Appuyez sur [AL.OFF/POWER] pour éteindre l'appareil à tout moment ; appuyez de nouveau sur [SNOOZE/SLEEP] pour afficher l'heure d'arrêt automatique, appuyez sur la touche [SNOOZE/SLEEP] pour sélectionner le délai d'arrêt automatique suivant (ex. si vous avez choisi « 30 », après 2 minutes, vous pouvez vérifier que l'écran affiche 28 minutes restantes, si vous appuyez à nouveau sur [SNOOZE/SLEEP], le délai d'arrêt automatique devient « 40 »). Pour désactiver la fonction veille automatique, appuyez plusieurs fois sur [SNOOZE/SLEEP], jusqu'à ce que l'écran affiche « OFF »

## RÉGLAGE DU VOLUME

Appuyez sur la touche [AL.1/VOL-] ou [AL2/VOL+] pour choisir un niveau de volume de « 0-16 », le niveau de volume par défaut est 10

## SAUVEGARDE DE L'HEURE

Installez 2 piles AAA 1,5V. En cas de coupure de courant, l'heure de l'horloge ne sera pas interrompue. Si aucune pile de secours n'est insérée, l'heure « 12:00 » ou « 0:00 » se met à clignoter après une coupure de courant.



## Mode Auxiliaire

Appuyez sur la touche « func » pour passer en mode Auxiliaire, touche [FUNC.] en mode Auxiliaire, connectez un appareil audio externe pour que l'unité le reproduise, vous pouvez utiliser les touches [VOL-]/[VOL+] pour régler le volume

## FONCTION RÉTROÉCLAIRAGE

Utilisez la touche [DIM] pour sélectionner le niveau du rétroéclairage « moyen/faible/élevé », élevé par défaut

	ACCESSOIRES
Mode d'emploi	1 pc
	CARACTÉRISTIQUES
Source d'alimentation	230V~, 50Hz
Puissance consommée	5 W
Piles de secours (non incluses)	2 piles UM4-AAA 1,5V
Sortie d'alimentation	2x1W
Radio FM	87,5 à 108 MHz
Dimensions de l'appareil (L X P X H)	15,5 x 9,6 x 7,3 mm
Poids de l'appareil	0,45 kg
Température de fonctionnement	10 à 40 °C

- Les caractéristiques sont indiquées uniquement à titre indicatif. Les valeurs de poids et de taille sont des approximations.
- Étant donné que nous améliorons constamment nos produits, leurs caractéristiques et fonctions peuvent changer sans préavis.

## Garantie

Lenco propose un service et une garantie conformément à la législation européenne, ce qui signifie qu'en cas de besoin de réparation (aussi bien pendant et après la période de garantie), vous pouvez contacter votre revendeur le plus proche.

Remarque importante : Il n'est **pas** possible de renvoyer l'appareil pour réparation directement à Lenco.

Remarque importante : Si l'unité est ouverte ou modifiée de quelque manière que ce soit par un réparateur non agréé, la garantie serait caduque.

Cet appareil ne convient pas à une utilisation professionnelle. En cas d'utilisation professionnelle, les obligations de garantie du fabricant seront annulées.

### **Clause de non-responsabilité**

Des mises à jour du logiciel et/ou des composants informatiques sont régulièrement effectuées. Il se peut donc que certaines instructions, caractéristiques et images présentes dans ce document diffèrent légèrement de votre configuration spécifique. Tous les articles décrits dans ce guide sont fournis uniquement à des fins d'illustration et peuvent ne pas s'appliquer à une configuration spécifique. Aucun droit légal ne peut être obtenu depuis les informations contenues dans ce manuel.

Mise au rebut de l'appareil usagé



Ce symbole indique que le produit électrique concerné ou la batterie ne doivent pas être jetés parmi les autres déchets ménagers en Europe. Pour garantir un traitement correct du déchet de la batterie ou de l'appareil, veuillez les mettre au rebut conformément aux règlements locaux en vigueur relatifs aux appareils électriques et autres batteries. En agissant de la sorte, vous contribuerez à la préservation des ressources naturelles et à l'amélioration des niveaux de protection environnementale concernant le traitement et la destruction des déchets électriques (directive sur les déchets des équipements électriques et électroniques).

### **Service après-vente**

Pour en savoir plus et obtenir de l'assistance, visitez [www.lenco.com](http://www.lenco.com)

Lenco Benelux BV, Thermiekstraat 1a, 6361 HB, Nuth, Pays-Bas.

**¡PRECAUCIÓN!**

El uso de los controles o ajustes o el funcionamiento de los procedimientos excepto a aquellos especificados aquí pueden provocar una exposición peligrosa a la radiación.

Esta unidad no debe ajustarse o repararse por ninguna persona salvo personal de servicio cualificado.

**PRECAUCIONES PREVIAS AL USO**

---

**TENGA ESTAS INSTRUCCIONES EN MENTE:**

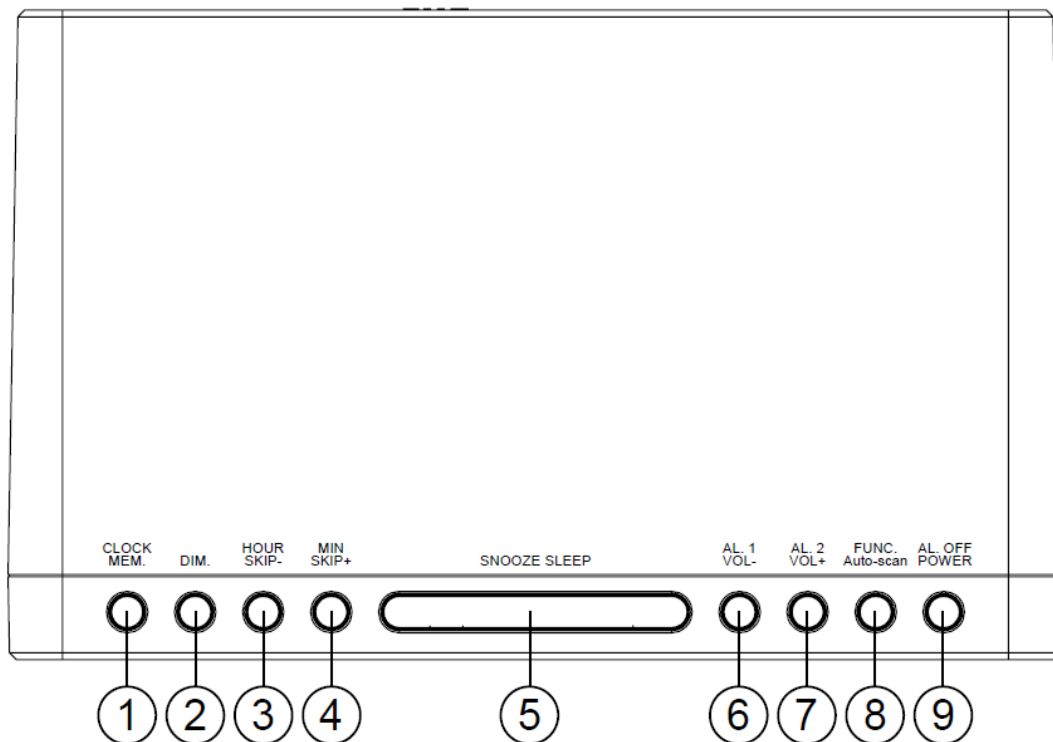
1. No use este dispositivo cerca del agua.
2. Límpielo únicamente con un paño ligeramente humedecido.
3. No cubra o bloquee ninguna apertura de ventilación. Cuando coloque el dispositivo en una estantería, deje 5 cm (2") de espacio libre alrededor de todo el dispositivo.
4. Instálelo conforme al manual de usuario que se adjunta.
5. No pise o pince el adaptador de alimentación. Tenga mucho cuidado, en especial cerca de las tomas y el punto de salida del cable. No coloque objetos pesados en el adaptador de alimentación, ya que pueden dañarlo. ¡Mantenga el dispositivo fuera del alcance de los niños! Si juegan con el cable de alimentación, puede sufrir lesiones graves.
6. Desconecte el dispositivo durante tormentas eléctricas o cuando no vaya a usarse durante periodos prolongados de tiempo.
7. Mantenga el dispositivo alejado de fuentes de calor como radiadores, calentadores, hornos, velas u otros productos que generen calor.
8. Evite usar el dispositivo cerca de campos magnéticos fuertes.
9. Una descarga electrostática puede entorpecer el uso normal de este dispositivo. En tal caso, simplemente reinicielo siguiendo el manual de instrucciones. Durante la transmisión de archivos, por favor manéjelo con cuidado opérela en un entorno libre de electricidad estática.
10. ¡Advertencia! Nunca inserte un objeto en el producto a través de las ventilaciones o aperturas. Alto voltaje fluye a través del producto e insertar un objeto puede provocar una descarga eléctrica y/o un cortocircuito de sus componentes internos. Por el mismo motivo, no derrame agua o líquidos en el producto.
11. No lo utilice en zonas húmedas, como cuartos de baño, cocinas en las que se forme vapor ni cerca de piscinas.
12. No use este dispositivo cuando se pueda producir condensación.
13. Aunque este dispositivo está fabricado con el máximo cuidado y comprobado varias veces antes de salir de fábrica, todavía es posible que se puedan producir problemas, al igual que con todos los aparatos eléctricos. Si observa la aparición de humo, una acumulación excesiva de calor o cualquier otro fenómeno inesperado, deberá desconectar inmediatamente el enchufe de la toma de corriente.
14. ¡El dispositivo debe estar bien ventilado en todo momento!
15. Este dispositivo debe funcionar con una fuente de alimentación que se especifica en la etiqueta de especificaciones. Si no está seguro del tipo de alimentación que se usa en su hogar, consulte con el distribuidor o una compañía eléctrica local.
16. La salida de la toma debe instalarse cerca del equipo y debe ser fácilmente accesible.
17. No sobrecargue las tomas CA o los cables de extensión. La sobrecarga puede provocar un incendio o una descarga eléctrica.
18. Los dispositivos con construcción Clase 1 deben estar conectados a una toma de corriente con una conexión a tierra protegida.
19. Los dispositivos con construcción Clase 2 no requieren una conexión a tierra.
20. Manténgalo alejado de los roedores. Los roedores disfrutan mordiendo cables de alimentación.
21. Sujete siempre el enchufe cuando los extraiga de la toma de corriente. No tire del cable de alimentación. Esto puede provocar un cortocircuito.
22. Evite colocar la unidad sobre superficies sometidas a vibraciones o impactos.
23. Para proteger el dispositivo durante una tormenta eléctrica, desconecte el adaptador de alimentación CA.
24. Cuando no se vaya a usar el dispositivo durante periodos prolongados de tiempo, desconecte el adaptador de alimentación CA por motivos de seguridad.

25. Para limpiar el dispositivo use un paño seco y suave. No utilice líquidos disolventes ni con base de petróleo. Para eliminar manchas difíciles, puede usar un paño húmedo con detergente diluido.
26. El proveedor no asume ninguna responsabilidad por daños o datos perdidos provocados por un funcionamiento incorrecto, uso incorrecto, modificación del dispositivo o sustitución de la batería.
27. No interrumpa la conexión cuando el dispositivo esté formateando o transfiriendo archivos. En caso contrario, los datos se pueden estropear o perder.
28. La memoria USB debe conectarse a la unidad directamente. No utilice cables de extensión USB ya que pueden crear interferencias que causen una pérdida de datos.
29. El aparato no debe exponerse a goteos o salpicaduras y asegúrese de que ningún objeto lleno de líquido, como jarrones, se colocan sobre o cerca del aparato.
30. Para desconectar completamente la entrada de alimentación, el enchufe del aparato deberá desconectarse de la alimentación, ya que el dispositivo de desconexión es el enchufe del aparato.
31. El enchufe de alimentación del aparato no debe estar obstruido O se puede acceder al mismo fácilmente durante su uso previsto.
32. La batería no debe exponerse a un calor excesivo, como la luz solar, fuego o similares.
33. Es necesaria una distancia mínima de 10cm alrededor del aparato para una ventilación suficiente.
34. No debe impedirse la ventilación cubriendo las aperturas con objetos como periódicos, manteles, cortinas, etc.
35. No deben colocarse fuentes de llama, como velas encendidas, sobre este aparato.
36. Se debe prestar atención a los aspectos medioambientales sobre la eliminación de baterías.
37. El aparato solo debe usarse en climas moderados o extremadamente fríos y deben evitarse los entornos calurosos.
38. La placa identificativa está marcada en el panel inferior del aparato.
39. Este aparato no está diseñado para su uso por personas (incluyendo niños) con discapacidades físicas, sensoriales o mentales o con falta de experiencia o conocimientos, salvo que estén bajo la supervisión o hayan recibido formación sobre el uso correcto del dispositivo por parte de una persona responsable de su seguridad.
40. Este producto está destinado únicamente al uso doméstico y no al uso comercial ni al industrial.
41. Asegúrese de que la unidad esté fijada en una posición estable. Los daños provocados por utilizar este producto en una posición inestable o por no seguir cualquier otra advertencia o precaución incluida en este manual de usuario no estarán cubiertos por la garantía.
42. No retire nunca la carcasa de este aparato.
43. Nunca coloque el aparato sobre otro equipo eléctrico.
44. No utilice ni guarde el producto en lugares expuestos a la luz solar directa, a altas temperaturas, a la vibración ni en ambientes excesivamente polvorientos.
45. No limpie el producto con agua ni con otros líquidos.
46. No obstruya ni cubra las ranuras u orificios presentes en el producto.
47. No introduzca objetos extraños en las ranuras u orificios presentes en el producto.
48. Mantenga las bolsas de plástico fuera del alcance de los niños.
49. Compruebe que el voltaje en la placa de características del aparato se corresponde con el suministro eléctrico de su hogar (la placa de características se encuentra en la parte posterior de la unidad).
50. Proteja el cable de alimentación para evitar que lo pisen o aplasten, especialmente en los enchufes, tomas de corriente y el lugar en que sale del aparato.
51. Use únicamente los dispositivos/accesorios especificados por el fabricante.
52. Remita todas las reparaciones al personal cualificado. La reparación es necesaria cuando el aparato presente cualquier tipo de daño, como el cable de alimentación o el enchufe, cuando se haya derramado líquido o hayan caído objetos sobre el aparato, o cuando el aparato se haya visto expuesto a la lluvia o humedad, o no funcione normalmente o se haya caído.
53. No utilice un cable de alimentación o enchufe deteriorado o una toma suelta. Si lo hace, podría provocar un incendio o una descarga eléctrica.

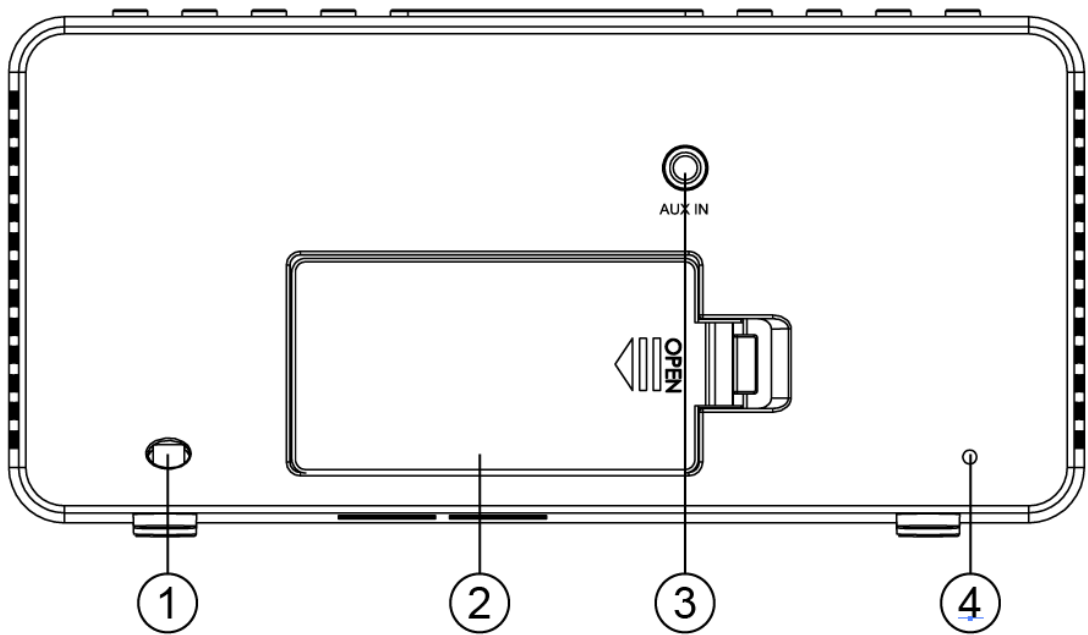
Advertencia: La exposición prolongada a sonidos fuertes de reproductores personales de música puede provocar pérdida de audición temporal o permanente.

## **INSTALACIÓN**

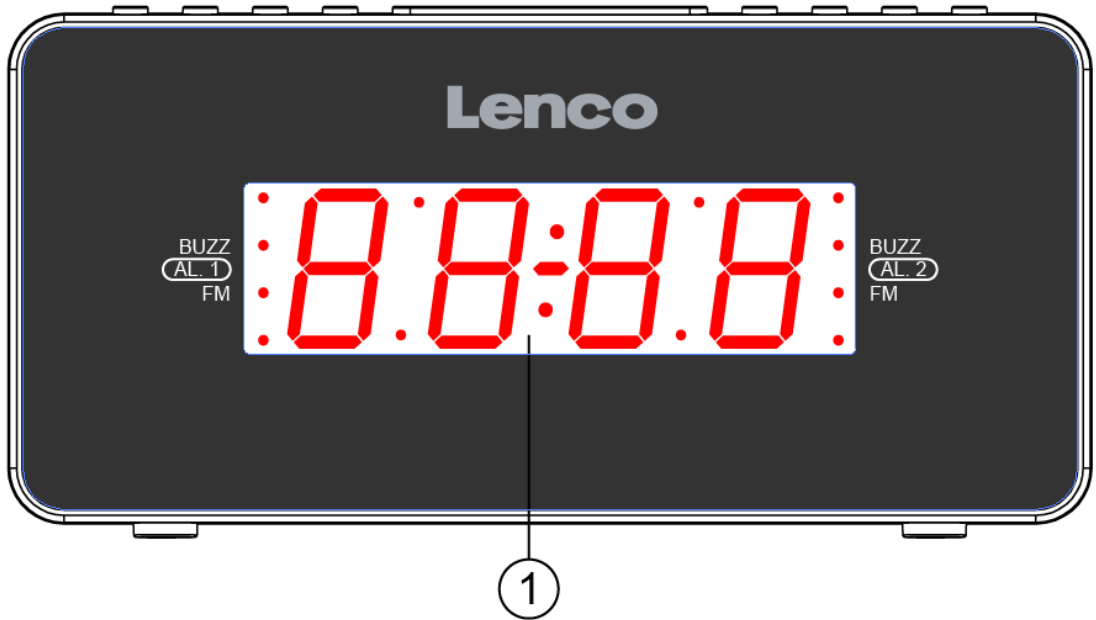
- Desembale todas las piezas y retire el material protector.
- No conecte la unidad a la corriente eléctrica antes de comprobar la tensión de la corriente y antes de que se hayan hecho todas las demás conexiones.
- No cubra ninguna ventilación y asegúrese de que hay un espacio de varios centímetros alrededor de la unidad para su ventilación.



1. Botón RELOJ/MEM.  
Configurar reloj/memoria
2. Botón atenuar.  
Seleccionar el nivel del atenuador (medio-bajo-alto)
3. Botón HORA/Saltar -  
Ajustar la hora y la frecuencia -/Almacenar emisoras
4. Botón MIN/Saltar +  
Ajustar el minuto y la frecuencia +/Almacenar emisoras
5. Botón Repetición/Suspender
6. Botón AL1/VOL -.  
Ajustar la alarma 1/Bajar el volumen
7. Botón AL2/VOL +.  
Ajustar la alarma 2/Subir el volumen
8. Botón Func. búsqueda automática.
9. Botón Apagar alarma/Apagar



1. Cable de alimentación CA.
2. Tapa de las pilas
3. Conector de entrada auxiliar
4. Antena FM por cable



1 Pantalla LED.



## AJUSTAR HORA/AÑO/MES/DÍA

1. Encienda la unidad y la pantalla parpadeará. Entre en modo TIME SET (Ajuste de hora), pulse el botón [HOUR/SKIP-] para ajustar la hora, el botón [MIN/SKIP+] para ajustar los minutos y el botón [CLOCK/MEM.] para confirmar el ajuste de hora, y pasar al modo YEAR SET (Ajuste de año) (rango de años: 2017-2099), pulse el botón [HOUR/SKIP-] para reducir el año, el botón [MIN/SKIP+] para aumentar el año, el botón [CLOCK/MEM.] para confirmar el ajuste y pasar al modo MONTH/DAY SET. Pulse el botón [HOUR/SKIP-] para aumentar el mes y el botón [MIN/SKIP+] para aumentar el día. Pulse el botón [CLOCK/MEM.] para confirmar el ajuste de mes/día y salir del modo de ajuste de hora. La unidad saldrá automáticamente del modo de ajuste si no pulsa ningún botón en un periodo de 5 segundos
2. En modo de espera, mantenga pulsado el botón [CLOCK/MEM.] durante 2-3 segundos. El LED empezará a parpadear y la unidad entrará en modo de ajuste de hora. El método de ajuste es igual al anterior.

## FIJAR ALARMA

1. En modo de espera, mantenga pulsado el botón [AL.1/VOL-], el indicador "AL.1-BUZZ" y la hora empezarán a parpadear. La hora predeterminada de la alarma es 08:00, pulse el botón [HOUR/SKIP-] para ajustar la hora, el botón [MIN/SKIP+] para ajustar el minuto y el botón [AL.1/VOL-] para confirmar el ajuste y repetir el ajuste de fecha. Pulse el botón [HOUR/SKIP-] y el botón [MIN/SKIP+] para seleccionar "WEEK 1-7" (Semana 1-7), "WEEK 1-5" (Semana 1-5), "WEEK 6-7" (Semana 6-7), pulse el botón [AL.1/VOL-] para confirmar el ajuste de fecha y pasar al ajuste de volumen. Pulse el botón [HOUR/SKIP-] y el botón [MIN/SKIP+] para seleccionar los niveles de volumen "0-16" (el nivel de volumen predeterminado es 10) y pulse el botón [AL.1/VOL-] para confirmar el ajuste de volumen y salir del modo de ajuste. La alarma se activará cuando sea la hora elegida.  
Observaciones: Solo se puede ajustar el volumen cuando se utiliza la radio como alarma, no se puede ajustar cuando se utiliza el TIMBRE de alarma. El volumen no puede aumentar gradualmente cuando se utiliza el TIMBRE de alarma, pero puede aumentar desde el nivel 0 hasta el nivel establecido cuando se utiliza la radio como alarma.
2. En modo de espera, pulse el botón [AL.1/VOL-] y seleccione BUZZER→RADIO→ALM OFF (Timbre→Radio→Alarma apagada). Si no pulsa el botón [AL.1/VOL-] durante 5 segundos, la unidad confirmará automáticamente la alarma y saldrá del modo de ajuste.
3. Cuando la alarma está activada, si no pulsa ningún botón, se detendrá automáticamente al cabo de 1 hora. Pulse el botón [AL. OFF/POWER] para apagar la alarma. El indicador pertinente parpadeará cuando la alarma esté activada
4. El ajuste de la alarma 2 es igual que el de la alarma 1.

## FUNCIÓN POSPONER ALARMA

Cuando la alarma esté activada, pulse el botón [SNOOZE/SLEEP] para entrar en modo repetición. La alarma se activará de nuevo al cabo de 9 minutos, de forma continua durante 60 minutos. Pulse el botón [AL. OFF/POWER] para apagar la alarma.

## **MODO RADIO**

1. Pulse el botón [AL. OFF/POWER] para encender la unidad. "FM" es el modo predeterminado.
2. Búsqueda manual: pulse brevemente el botón [HOUR/SKIP-] o el botón [MIN/SKIP+] para configurar manualmente las emisoras FM.
3. Búsqueda automática: mantenga pulsado el botón [HOUR/SKIP-] o el botón [MIN/SKIP+] para configurar automáticamente las emisoras FM.
4. Memorizar las emisoras: pulse brevemente el botón [CLOCK/MEM.] para recuperar la emisora preestablecida. La pantalla mostrará "P01". Pulse otra vez el botón [CLOCK/MEM.] para saltar a la siguiente emisora preestablecida. También puede pulsar el botón [HOUR/SKIP-] o el botón [MIN/SKIP+] para seleccionar las emisoras preestablecidas. La pantalla mostrará la frecuencia de la emisora 5 segundos después y saldrá de la pantalla de la hora si no se pulsa ningún botón durante 5 segundos.
5. Almacenar las emisoras: seleccione la emisora que necesite almacenar, mantenga pulsado el botón [CLOCK/MEM.] durante 2-3 segundos y "P01" aparecerá en la pantalla LED. Pulse el botón [HOUR/SKIP-] o el botón [MIN/SKIP+] para seleccionar la posición de almacenamiento y pulse el botón [CLOCK/MEM.] para confirmar.

## **APAGADO AUTOMÁTICO (MODO SUSPENSIÓN)**

En modo encendido, pulse el botón [SNOOZE/SLEEP]. La pantalla LED mostrará "10". Puede continuar pulsando el botón [SNOOZE/SLEEP] para seleccionar el tiempo de suspensión entre "10→20→30→40→50→60→70→80→90→OFF". 5 segundos después de ajustar el tiempo de suspensión, se confirmará automáticamente y se activará la función de apagado automático. Si necesita apagar el dispositivo durante el proceso, pulse el botón [AL. OFF/POWER]. Compruebe o cambie el tiempo de apagado automático y después active la función de apagado automático. Pulse otra vez el botón [SNOOZE/SLEEP] y la pantalla LED mostrará el tiempo restante hasta el apagado automático. Pulse de nuevo el botón [SNOOZE/SLEEP] para seleccionar el siguiente nivel de tiempo de apagado automático (por ejemplo: si originalmente estableció "30", después de 2 minutos, al comprobarlo en la pantalla LED mostrará 28 minutos. Si pulsa otra vez el botón [SNOOZE/SLEEP], entonces el tiempo para el apagado automático será "40"). Si necesita desactivar la función de apagado automático, pulse repetidamente el botón [SNOOZE/SLEEP] hasta que la pantalla led muestre "OFF" (Apagado).

## **CONTROL DE VOLUMEN**

Pulse el botón [AL.1/VOL-] o el botón [AL2/VOL+] para ajustar el volumen deseado. Los niveles de volumen son "0-16", el nivel predeterminado es 10.

## **RESPALDO TEMPORAL**

Instale 2 pilas AAA de 1,5 V. En caso de fallo eléctrico, el reloj seguirá funcionando. Si no se insertan pilas de respaldo, al reanudar la alimentación la hora mostrada será "12:00" o "0:00".

## MODO AUXILIAR

Pulse el botón [FUNC.] para cambiar al modo auxiliar. En este modo puede conectar una fuente de sonido externa y la unidad reproducirá la música. Puede pulsar el botón [VOL-] o el botón [VOL+] para elegir el volumen deseado.

## FUNCIÓN DE ATENUADOR

Puede pulsar el botón [DIM] para seleccionar el nivel del atenuador entre “Middle-Low-High” (Medio-Bajo-Alto). El nivel predeterminado del atenuador es Alto.

		ACCESORIOS
Manual de instrucciones		1 unidad
		ESPECIFICACIONES

Fuente de alimentación		230 V, 50 Hz
Consumo de energía		5 W
Pilas de respaldo (no incluidas)	2 pilas UM4-AAA de 1,5 V	
Potencia de salida		2 x 1 W
Radio FM		87,5-108 MHz
Tamaño de la unidad (A x D x A)		15,5 x 9,6 x 7,3 mm
Peso de la unidad		0,45 kg
Temperatura de funcionamiento		10-40 °C

- La especificación se presenta solo como referencia. Los valores del peso y del tamaño son aproximados.
- Nuestro producto se mejora constantemente y las especificaciones y funciones pueden cambiarse sin previo aviso.

## Garantía

Lenco ofrece servicio y garantía en cumplimiento con las leyes de la Unión Europea, lo cual implica que, en caso de que su producto precise ser reparado (tanto durante como después del periodo de garantía), deberá contactar directamente con su distribuidor.

Nota importante: **No** es posible enviar sus reparaciones directamente a Lenco.

Nota importante: Si la unidad es abierta por un centro de servicio no oficial, la garantía quedará anulada.

Este aparato no es adecuado para el uso profesional. En caso de darle un uso profesional, todas las obligaciones de garantía del fabricante quedarán anuladas.

### **Exención de responsabilidad**

Regularmente se llevan a cabo actualizaciones en el Firmware y en los componentes del hardware. Por esta razón, algunas de las instrucciones, especificaciones e imágenes incluidas en este documento pueden diferir ligeramente respecto a su situación particular. Todos los elementos descritos en esta guía tienen un objetivo de mera ilustración, y pueden no ser de aplicación en su situación particular. No se puede obtener ningún derecho ni derecho legal a partir de la descripción hecha en este manual.

### **Eliminación del antiguo dispositivo**



Este símbolo indica que no deberá deshacerse del producto eléctrico o batería en cuestión junto con los residuos domésticos, en el ámbito de la UE. Para garantizar un tratamiento residual correcto del producto y su batería, por favor, elimínelos cumpliendo con las leyes locales aplicables sobre requisitos para el desecho de equipos eléctricos y baterías. De hacerlo, ayudará a conservar recursos naturales y mejorar los estándares de protección medioambiental en el tratamiento y eliminación de residuos eléctricos (Directiva sobre la Eliminación de Equipos Eléctricos y Electrónicos).

### **Servicio**

Para obtener más información y soporte del departamento técnico, por favor, visite la página web [www.lenco.com](http://www.lenco.com)

Lenco Benelux BV, Thermiekstraat 1a, 6361 HB, Nuth, Países Bajos.